

Standard pressure gauges for sanitary and heating

Nominal size ND 50 and ND 63

Connection position bottom, radial
or back, central



Description

Pressure gauges of the comprehensive standard can be used in all applications where liquid and gaseous media are not highly viscous or do not attack copper alloys or crystallize.

All standard pressure gauges comply with general international recommendations for measuring systems and take requirements for specific applications and technical standards into consideration (EN 837-1).

From stock available.

Special features

- o Plastic-case ABS
- o Copper alloy measuring system
- o Connection position bottom radial or back central
- o Accuracy class 2.5

Measuring Ranges

0 ... 4 bar to 0 ... 25 bar

Applications

Sprinkler systems,
sanitary and heating

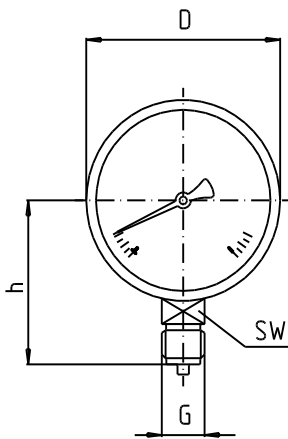
Models: P1481, P1482, P1483, P1484

Technical data

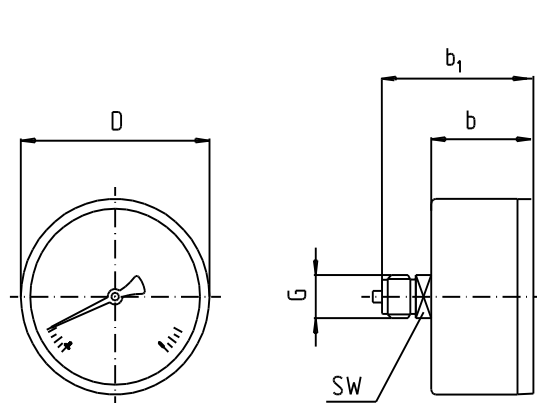
Models	P1481	P1483	P1482 ¹⁾	P1484 ¹⁾	Options
Nominal size	50		63		
Symbol					
Accuracy class	2.5 to EN 837-1				
Ranges	0...4 bar to 0...25 bar to EN 837-1				
Application	Constant load: 3/4 x of full scale value Alternating load: 2/3 x of full scale value				
Case	Plastic black, shock resistant (ABS)				
Bezel	none				
Window	Plexiglass, clipped-on				
Dial	Plastic white with pointer stop pin, scale black				
Pointer	Plastic black				
Movement	CuZn alloy				
Measuring element	Cu alloy				
Pressure connection - position	radial bottom		back central		
- thread	G 1/4 B		G 1/4 B or G3/8 B		
Temperatures - Media - Ambient	Tmax. 60°C Tmin. -40°C , Tmax. 60°C				
Temperature behaviour	0.4 % /10K if deviation from normal temperature 20°C				
Weight approx.	0.18 kg	0.11 kg	0.21 kg	0.26 kg	

¹⁾ For closed heating facility, G3/8 B is possible

Dimensions



Models: P1481, P1482



Models: P1483, P1484

Model	Dimension in mm							
	ND	a ± 0.5	b ± 0.5	b1 ± 0.5	D ± 0,5	G	h ± 1	SW
P1481	50	10	27.5	--	49	G1/4 B	45	14
P1483	50	--	26.5	47.5	49	G1/4 B	--	14
P1482	63	10	27.5	--	62	G1/4 B	53.5	14
P1484	63	--	26.5	47	62	G1/4 B	--	14

Subject of technical changes