

Standard pressure gauges for sanitary and heating

Nominal sizes ND 80 and 100

Connection position bottom, radial or back, central



Description

Pressure gauges of the comprehensive standard can be used in all applications where liquid and gaseous media are not highly viscous or do not attack copper alloys or crystallize.

All standard pressure gauges comply with general international recommendations for measuring systems and take requirements for specific applications and technical standards into consideration (EN 837-1).

As a standard pressure gauges are equipped with an adjustable red marking pointer. For closed heating devices the pressure gauges are equipped with a red marker pointer with a green flag.

Features

- o Plastic case - ABS
- o Copper alloy measuring system
- o Accuracy class 1.6

Measuring Ranges


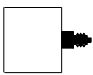
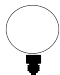
- 0 ... 1 bar up to 0 ... 40 bar
- 2. division in mWS for hydrometers

Applications

Air conditioning,
sprinkler systems

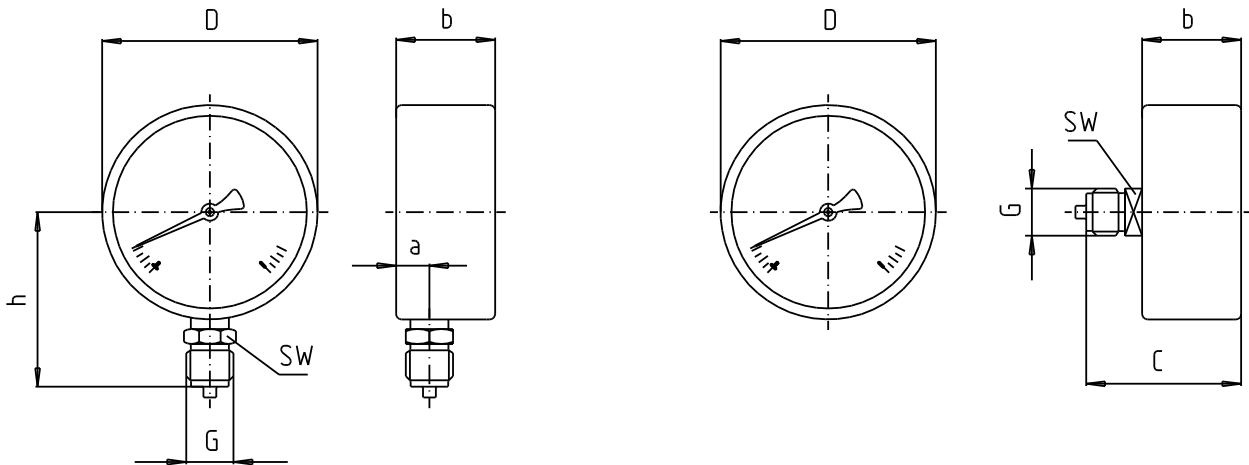
Models : P1488, P1489, P1492

Technical data

Model	P1488	P1489	P1492	Options
Nominal size	80		100	
Symbol				
Accuracy class	1.6 acc. to EN 837-1			
Ranges	0...1 bar up to 0...40 bar 2. division in mWS for hydrometers			
Application	Constant load: 3/4 x of full scale value Alternating load: 2/3 x of full scale value Short-time: full scale value			
Case	plastic black (ABS)			
Bezel	none			
Window	plastic, transparent,			
Dial	Al, white, scale black with red marker pointer ¹⁾			
Pointer	plastic black			
Movement	CuZn-alloy			
Measuring element	Cu-alloy			
Pressure connection	CuZn-alloy			
- position	radial	back	radial	
- thread	bottom G 1/2 B	central G 1/4 B	bottom G 1/2 B	
Temperatures	Tmax. 60°C			
- medium	Tmin. -40°C , Tmax. 60°C			
- ambient				
Temperature drift	0,4 % /10K if deviation from normal temperature 20°C			
weight approx..	0.18 kg	0.11 kg	0.21 kg	

¹⁾ for closed heating the pressure gauges are equipped with a red marker pointer with green flag

Dimensions



Model: P1488, P1492

Model: P1489

Model	Dimensions in mm							
	ND	a ± 0.5	b ± 0.5	C ± 0.5	D ± 0.5	h ± 1	G	SW
P1488	80	11.5	30	--	79	72	G 1/2 B	22
P1489	80	--	32	49	79	--	G 1/4 B	14
P1492	100	11.5	30	--	99	83.5	G 1/2 B	22

Subject to technical alternations