

Heavy Duty pressure gauges with Bourdon tube and glycerine filling

Nominal sizes ND 50

**Connection position bottom, radial
or back, central**



Description

The Heavy Duty pressure gauges with glycerine filling are particularly suitable for measuring jobs where mechanical vibrations or pressure pulses may arise.

The glycerine filling ensures a vibration-free display and smooth pointer movement even in extreme load and strong vibration conditions. The lubricating effect of the glycerine also provides protection against mechanical wear. The casing is ultrasonically welded to the window.

The gauges are designed and manufactured on the basis of a modular construction system, associated with increased reliability and extended service life.

Special features

- o High reliability and long service life due to modular construction system
- o Protection IP 65
- o Case, plastic ABS
- o Copper alloy measuring system
- o Vibration-free display

Measuring ranges



0 ... 1 bar to 0 ... 400 bar

Applications

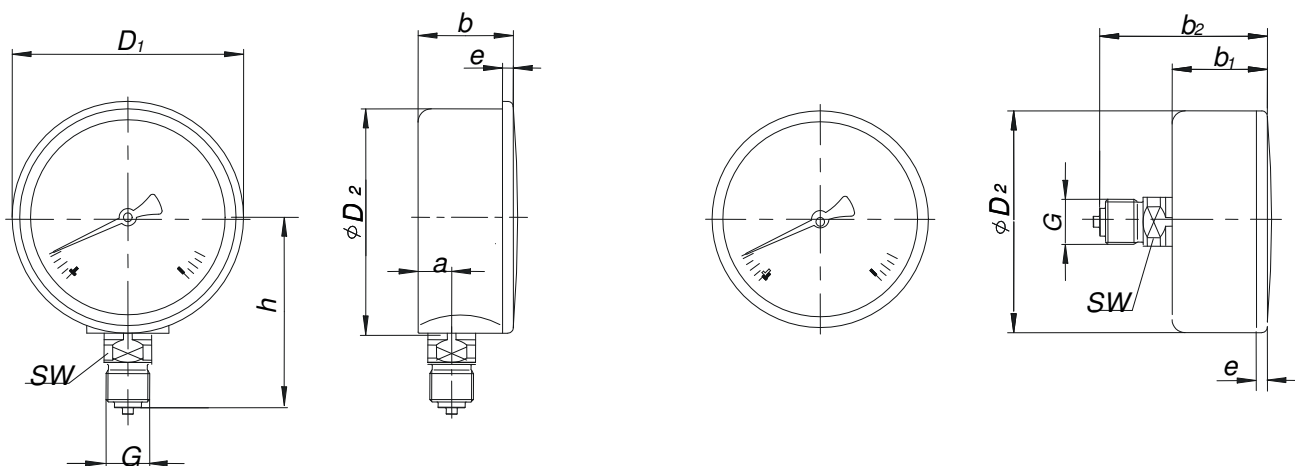
Hydraulics, compressors,
general mechanical engineering,
plant construction, pumps

Models: P1428, P1438

Technical data

Models	P1438	P1428	Options
Nominal size	50		
Symbol			
Accuracy class	2.5 to EN 837-1		
Ranges	0...1 bar to 0...400 bar negative or positive or negative and positive gauge pressure		
Applications	Constant load: 3/4 x full scale value Alternating load: 2/3 x full scale value short-time: full scale value		
Case	Plastic (ABS), black with integral panel ring	none	Panel ring
Bezel	none		
Window	Plastic, plexiglass, welded to casing		
Dial	Plastic, white Scale and imprint black	Aluminium, white	Dual scale
Pointer	Plastic, black	Aluminium, black	
Movement	CuZn-alloy		
Measuring element	Copper alloy		
Pressure connection - position	Copper alloy -radial bottom	back central	
- thread	G 1/4 B		Other threads on request
Temperatures - Medium - Ambient	Tmin. -20°C, Tmax. 60°C Tmin. -25°C, Tmax. 60°C		
Temperature drift	0.3 %/10K if deviation from normal temperature 20°C		
Liquid filling	Glycerine		
Protection	IP 65 to EN 60 529/IEC 529		
Orifice	without		ø 0.3 ; ø 0.4 ; ø 0.8
Weight approx.	0.115 kg	0.130 kg	

Dimensions



Model : P1438

Model : P1428

Model	ND	Dimensions in [mm]										Weight in [kg]
		a	b	b ₁	b ₂	D ₁	D ₂	e	G	h ± 1	SW	
1428	50	---	---	29.5	53	---	51	5	G 1/4 B	---	14	0.17
1438		11.5	27	---	---	55				48		

Modifications reserved