

## All stainless steel pressure gauges with Bourdon tube, with glycerine filling

Accuracy class 1.6

Nominal sizes ND 63

Connection position bottom, radial or back, central



### Description

The all stainless steel pressure gauges are ideal for the harsh conditions and the resulting high demands on pressure measurement in production facilities in chemical industry and other comparable branches. Resistance to aggressive media is achieved by using high-grade material such as stainless steel both for the measuring system and the case.

The glycerine filling provides wear-protection for the measuring-system through damping, should pulsating pressures and mechanical vibrations occur. The measuring system is of accuracy class 1.6 has overload protection amounting to 1.3 times the max. rating and can be loaded up to the full scale value.

Pressure gauges with glycerine filling are equipped with a compensation diaphragm. This diaphragm avoids a pressure rise in the case that is due to the temperature bound volume expansion of the liquid filling, thus avoiding indicated errors.

The gauges can be supplied with various mounting options as required for special installation conditions.

### Features

- o All stainless steel measuring system and case
- o Protection IP 65
- o Accuracy class 1.6
- o For use up to  $\frac{3}{4}$  - scale value
- o Scale value overrange protection
- o Case with glycerine filling

### Measuring ranges

-1200...0 mbar

-1...15 bar



0...1000 bar

### Applications

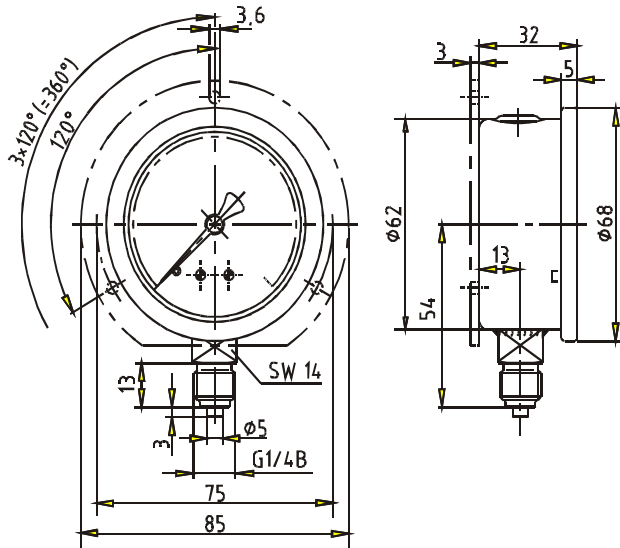
Chemical and petrochemical industry;  
Plastic- and paper industry;  
Food- and beverage industry;  
Machine- and apparatus construction

Models: P2032, P2033

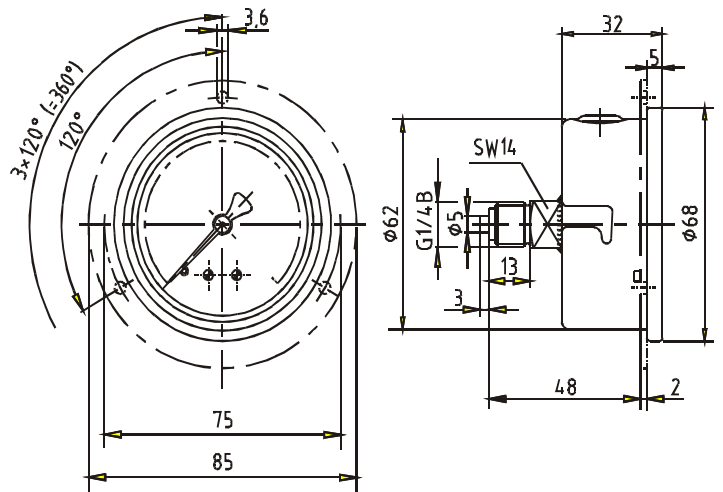
## Technical data

Models	P2032	P2033	Options
Nominal size	63		
Type			
Accuracy class	1.6 to EN 837-1		
Ranges	-1200...0 mbar, -1...15 bar, 0...1000 bar negative or positive / negative and positive gauge pressure		
Application	Steady: 3/4 x scale value Alternating load: 2/3 x scale value Short-time: scale value		
Case	Stainless steel 1.4301, bright		Stainless steel 1.4301, polished
Bezel	Stainless steel 1.4301, bright		Stainless steel 1.4301, polished
Mounting options	Without flange		Polished front flange, polished rear flange, stainless steel triangular bezel polished with stainless steel mounting bracket
Window	Polyamid (Trogamid)		Safety glass
Dial	Aluminium white, scale and imprint black		Dual scale
Pointer	Aluminium black		Knife edge pointer Drag pointer on plexiglass
Movement	Stainless steel		Stainless steel, hosta form
Measuring element	Bourdon tube, 316 L up to 60 bar Helical tube, 316 L above 100 bar		
Connection	Stainless steel 316 L		Protective cap for thread 1/4-18 NPT; 1/8-27 NPT, G 1/8 B
- Position	bottom   back		
- Thread	G 1/4 B		
Liquid filling	Glycerine		Glycerine-/ water mixture
Pressure balance	Pressure equalising valve		
Protection	IP 65 to EN 60 529 / IEC 529		
Throttle	Without		Ø 0.8 Stainless steel 1.4571
Temperatures	- Medium Tmin. -20°C, Tmax. +100°C - Ambient Tmin. -20°C, Tmax. + 60°C		
Weight approx.	0.215 kg	0.205 kg	

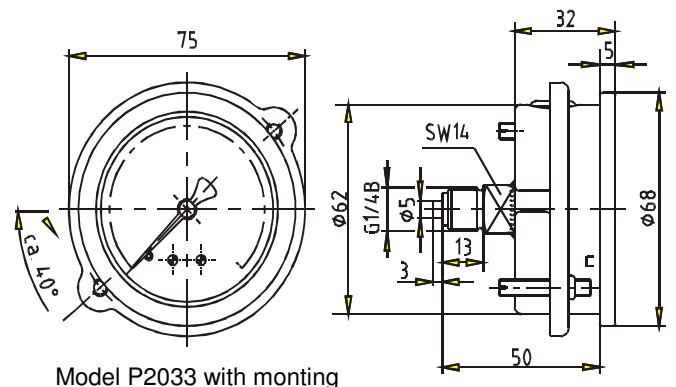
## Dimensions



Model P2032 with rear flange



Model P2033 with mounting bracket front view



Model P2033 with mounting

Modifications reserved