

Pressure sensor for harshest conditions „Hammer Union“

Model P3450



Description

Robust and long-term stability during operation are the advantages of this pressure sensor for harsh environments. The used materials and technologies make this sensor insensitive to chemically aggressive media and mechanical stress.

Applications for these extremely robust sensors are the offshore industry, different areas of natural gas production as well as various applications in the cement industry.

The wetted parts of these pressure sensors are made of Inconel X-750. All metallic compounds are welded so that the inner life of the sensor is protected. The electrical connection with the Bendix PTIH-10-6P plug is a guarantee for the robustness of the complete construction.

The sensors are attached to the process in a Wing Union or Hammer Union. The pressure sensors correspond to the electro-magnetic compatibility (EMC) to EN 61326.

Features

- Wetted parts made of Inconel X-750
- Highest shock and vibration resistance
- Wide temperature range
- High accuracy (0.25% of F.S.)

Measuring ranges

0 ... 5,000 psi
0 ... 10,000 psi
0 ... 15,000 psi
0 ... 20,000 psi
others on request

Applications

Offshore
Petrochemical industry
Blow out preventer (BOPs)
Gas exploration (Hydraulic Fracturing)
Cement industry

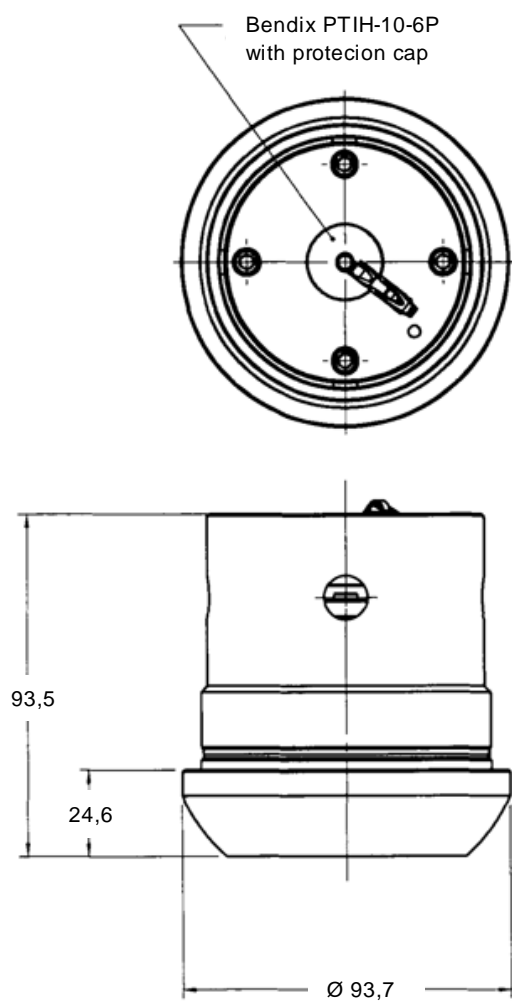
Model: P3450

Technical data

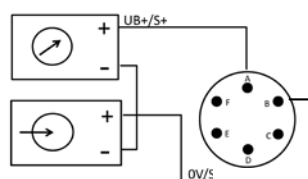
Model	P3450	
Pressure	Gauge pressure	
Measuring range	0 ... 5,000 psi (0 ... 345 bar) 0 ... 10,000 psi (0 ... 690 bar) 0 ... 15,000 psi (0 ... 1,034 bar) 0 ... 20,000 psi (0 ... 1,379 bar) others on request	
Max. Overload	1.5 x of F.S. (max. 22,500 psi)	
Burst pressure	3 x of F.S. (max, 22,500 psi)	
Sensor element	Bonded foil strain gauge	
Output signal	4...20 mA, 2 wire	
Accuracy ¹⁾	±0.25% BFSL	
Materials		
Housing	Stainless steel	
Wetted parts	Inconel X-750	
Pressure connection	Wing Union 1502	
Electrical connection	Bendix PTIH-10-6P others on request	
Power supply / Burden	10...28 VDC	$R_A [\Omega] \leq (U_B [V] - 10V) / 0.02A$
Certification	CSA	
CE conformity	2004/108/EWG interference emission and immunity see EN 61326	
Temperature influence		
Zero point	±0.02% of F.S. / °C	
Span	±0.02% of span / °C	
Temperature range		
Compensated range	+5°C ... +60°C	
Storage	-40...85°C	
Media	-40...85°C	
Ambient	-40...85°C	
Resistance		
Shock(mechanical)	100g	
Weight	2.65kg	

¹⁾ Including non-linearity, hysteresis, zero point and full scale error (corresponds to error of measurement per IEC 61298-2).

Dimensions (mm)



Electrical connection



- A: UB+ / S +
- B: 0V / S -
- C: - Cal
- D: + Cal
- E: GRD