

Mechanical pressure switch for differential pressure

S4510, S4520, S4530

1 changeover contact



Special features

The measuring principle of the mechanical pressure switch is a spring loaded diaphragm respectively for higher pressure ranges a spring loaded piston. The high mechanical service life, high contact rating and the compact design characterize the tectsis differential pressure switch.

High quality parts and an integrated microswitch obtain an outstanding reliability and accuracy. The switching reliability and long service life are guaranteed by either a silver plated or optional gold plated contact (min. current approx. 2 mA).

Areas of application

Mechanical differential pressure switches are suitable for all areas, where an electrical signal is related to a given differential pressure value.

They are especially designed for applications of controlling and monitoring differential pressures of filters, level measurement and flow measurement or for universal usage in machine and plant constructions.

Product features

The pressure switches can be obtained for adjustable ranges between 0.3 bar and 50 bar. The switching output can be set over the whole adjustable range.

The electrical connector acc. to DIN EN 175301-803A enables the open mounting in machine constructions. This means an excellent ease of service and maintenance.

The switching function is realized by a changeover contact. The switching point can be adjusted via a central turning screw on site.

Adjustment ranges

Adjustment range	Max. working pressure	Overload limit	Burst pressure	S4510	S4520	S4530
				changeover contact		
				differential pressure		
0.3 ... 2	0 ... 10	10	15	M		
0.5 ... 3	0 ... 10	10	15		M	
2 ... 10	0 ... 50	50	200			K
5 ... 50	0 ... 250	250	350			K

M: diaphragm K: piston type

Model No: S4510, S4520, S4530

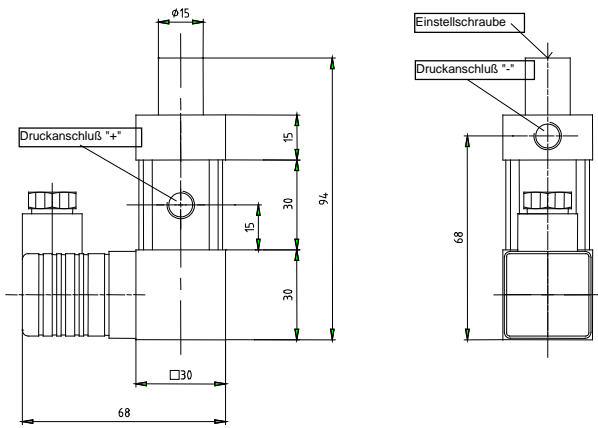
Technical data

Model No.	S4510	S4520	S4530	Options
Execution	diaphragm		piston	
Pressure	differential pressure			
Process connection	2 x G 1/8 female			
Measuring principle	spring loaded diaphragm or piston			
Materials				
measuring element	NBR-diaphragm		piston with PUR-seal	other materials
pressure port	brass		zinc plated steel	
case	brass		zinc plated steel	
Load cycles	1 million			
Switch outputs				
switch function	changeover			changeover gold plated contacts
switching element	microswitch – silver plated contacts			
adjustment	on site via adjustment screw, under pressure			factory preset
Hysteresis	typ. 15 ... 25%			
Power rating				
DC	up to 42 V	2 A		
	up to 110 V	0.5 A ¹⁾		
AC	up to 42 V	5 A		
	up to 125 V	5 A ¹⁾		
	up to 250 V	5 A ¹⁾		
Repeatability	5 % of full scale value			
Temperature ranges				
storage	-25 ... +85 °C			
media	-25 ... +85 °C			
ambient	-25 ... +85 °C			
Electrical connection	connector acc. to DIN EN 175301-803A incl. junction box			
Protection type	IP 65			
Weight	approx. 0.43 kg	approx. 1.03 kg	approx. 1.125 kg	

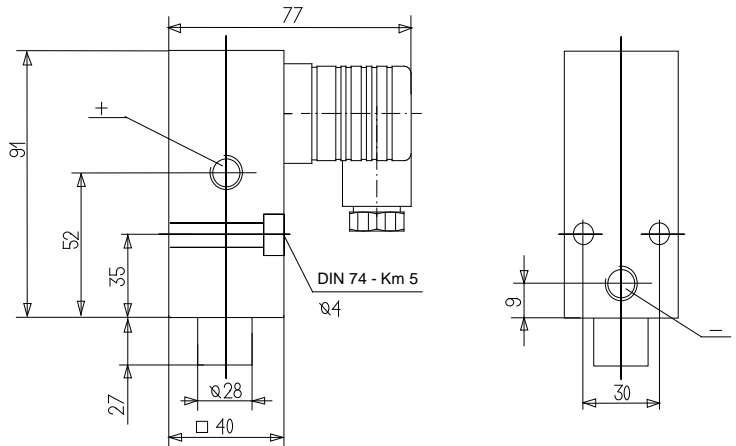
¹⁾ for voltages > 42 V regulation for protective means have to be regarded!

Dimensions

Model S4510

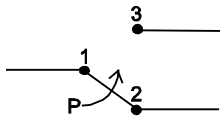


Model S4520 and S4530

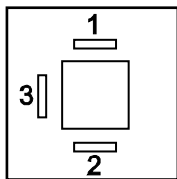


Electrical connection switching function

Changeover contact S4510, S4520, S4530



Connecting terminals



Subject to technical alternations