

Handheld measuring instrument ViSens

Accuracy 0,05%

20 preset calibration curves with sensor detection

Illuminated graphical display



Description

This digital hand-held display unit has all the necessary functions to process the output signals of sensors in 2- and 3-wire technology and display the measured value directly.

Operation via soft menu keys and cursor keys along with the large dot-matrix display makes handling particularly easy. ViSens is the ideal addition to the range of sensors from tecsīs.

The capacity of the rechargeable battery allows for more than 8 hours operation without external power supply. Due to the integrated bypass connector it is possible to link the ViSens to the measuring cable and the sensor will stay connected to the installation. ViSens is able to recognise specially coded sensors and choose automatically the correct calibration out of the 20 preset parameter sets. Hence ViSens can be connected to 20 different sensors and use always the correct calibration data for indicating. Individual calibration with maximum three supporting points, unit, Filter and decimal point can be done.

Many different units can be chosen: N, kN, kg, t, bar, kbar, hpas, psi, K, °C, °F, kg/mm², Ω, mmHg, mmWs, inHg, m, mm, °, mA and V.

Features

- Accuracy 0,05% of final value
- Up to 20 different preset calibration curves with sensor detection
- Automatic adjustment of the appropriate presetting
- Various sensor signals mA- and voltage
- Easy to read illuminated graphical display
- Various units available
- Minimum-, mean- and maximum value memory and tare function via softkeys
- Easy calibration

Options

- IR-Interface

Applications

- Measurement and control instruments
- Instrument manufacturing
- Machine equipment
- Fixture and special machinery manufacturing
- Calibration service
- Universal
- Unplugged

Specific information

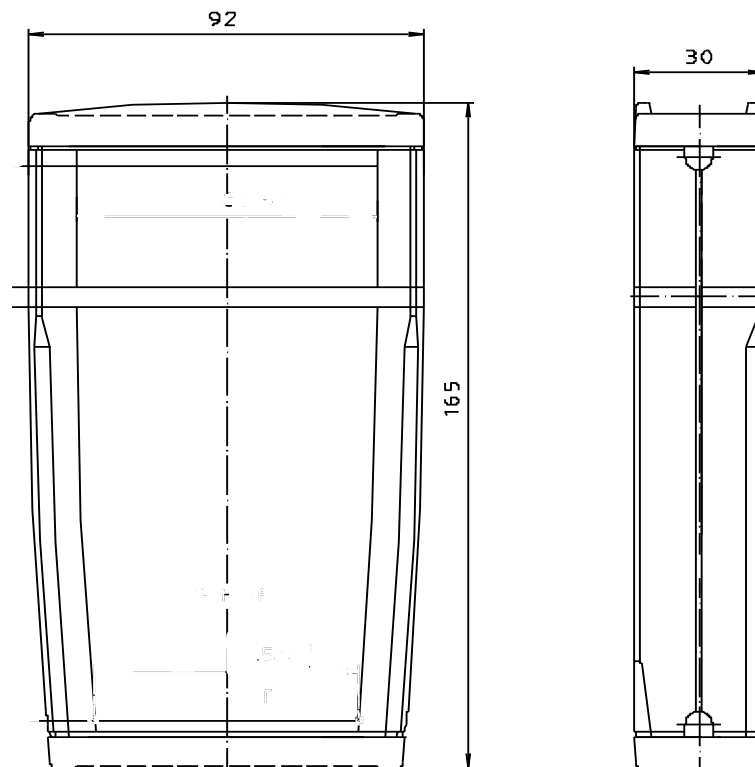
- Supply kit:
Device in a service suitcase incl. accessories (adapter cable, power supply)
- Fitting option:
IR-port for data exchange with PC

Model: E3908X501

Technical Data

Model	E3908X501
Output	
- Display	5-digit LCD-display plus units and operating mode display
- Accuracy	0.05% of F.S.
- Signal	Output current 0 ... 23 mA or Output voltage 0 ... 12 V
Input	
- Signal	0/4 ... 23 mA or 0 ... 12 V
- Sensor supply	18 VDC
- Limit frequency	2 ... 50 Hz (3 dB) settable
Setting	Menu-driven via keyboard
Power requirement/operating time	Integrated battery: 8 h
Nominal temperature range	-10°C ... +40°C
Service temperature range	-10°C ... +40°C
Storage temperature range	-20°C ... +60°C
Protection type (acc. to EN 60 529/IEC 529)	IP 40
Electrical connection	Force transducer: M12x1-socket; Analogue output: M12x1-plug; Charger: Jack socket
Housing	
- Material	Plastic
- Dimensions (W x H x D)	80 x 170 x 35 mm
Weight	500 g
Display refreshing time	0.5 sec
Accuracy of display	0,01% of F.S., 5 digits
Interface, option	Infrared, serial
Sensor recognising	via extra resistance in the Sensor
Amount parameter sets	20 (three supporting points, unit, decimal point and filter setting)
Operation	Soft keys
Power off	Auto-off adjustable

Dimensions



Subject of technical changes