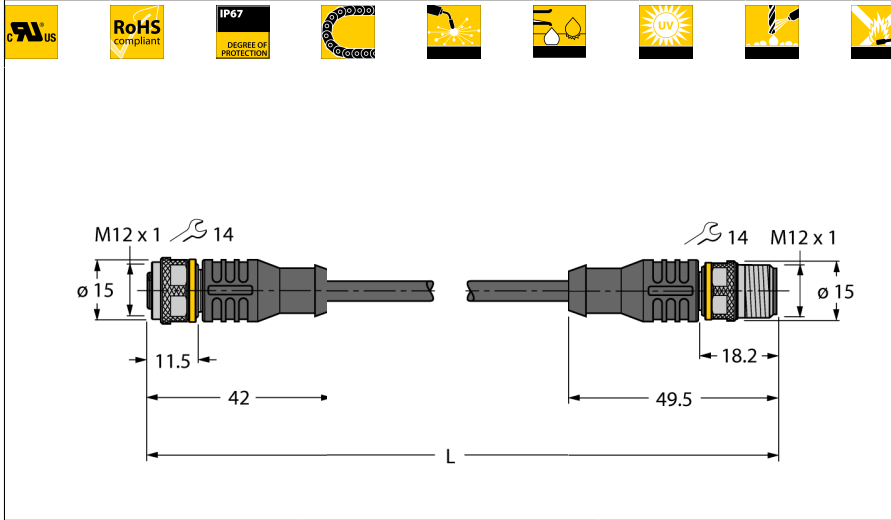


Actuator/sensor cable, PUR extension cable
RKC4.4T-13-RSC4.4T/TXL

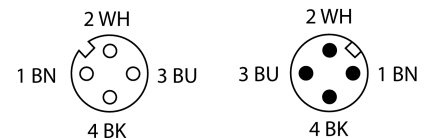
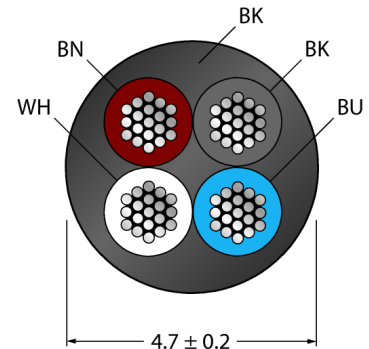


- Female M12, straight, 4-pin
- Male M12, straight, 4-pin
- Sheath material: PUR
- Sheath color: black
- Qualified for drag chain use
- Resistant to weld splatter
- Resistant to chemicals, UV radiation and oils
- Flame retardant
- Free from halogen, silicone, PVC and LABS
- Particularly resistant to abrasion
- Approval: cULus
- RoHS conform
- Protection class IP67
- Cable length: 13 m

Type code RKC4.4T-13-RSC4.4T/TXL
Ident no. 6626994

Connector A side
 Number of Pins 4
 Contacts brass, CuZn, gold-plated
 Contact carriers plastic, TPU, black
 Grip Plastic, TPU, black
 Coupling nut/screw brass, CuZn, nickel-plated
 Seal plastic, FPM/FKM
 Protection class IP67, A + B side screwed together
 Mechanical lifespan > 100 mating cycles
 Pollution degree 3
 Tightening torque 0.8 ... 1 Nm
 (observe max. torque of counter piece!)

Cable Cross-section



Connector B side
 Number of pins 4
 Contacts brass, CuZn, gold-plated
 Contact carriers plastic, TPU, black
 Grip plastic, TPU
 Coupling nut/screw brass, CuZn, nickel-plated
 Protection class IP67, only in screwed state
 Mechanical lifespan > 100 contact durability
 Pollution degree 3
 Tightening torque 0.8 ... 1 Nm
 (observe max. torque of counter piece!)

General data
 Cable diameter 4.7 +/-0.20mm
 Cable length 13 m
 Cable Jacket Material PUR
 Cable Jacket Color black
 Core insulation PP
 Core colors BN, WH, BU, BK
 Core cross-section 4x0.34mm²
 Arrangement of strands 42x0.1 mm

General information

Drawing depicts design version including hexagon coupling nut
 (Production date after CW11/2016).

Circuit diagram



Electrical features at +20 °C
 Ampacity 4 A
 Rated Voltage 250 V
 Insulation resistance > 30.5 MΩ/km
 Test voltage 2000 V
 Forward resistance max. 57 Ω/km

**Actuator/sensor cable, PUR
extension cable
RKC4.4T-13-RSC4.4T/TXL**

TURCK

Industrial
Automation

Mechanical and chemical properties

Max. tensile strength (static)	≤ 50 N/mm ²
Max. tensile strength (dynamic)	≤ 20 N/mm ²
Bending cycles	> 5 mil.
Bending radius (stationary laying)	> 5 x Ø
Bending radius (flexible use)	> 10 x Ø
Admissible acceleration	max. 5 m/s ²
Admissible travel path, horizontal	5 m (at 5 m/s ²)
Admissible travel path, vertical	2 m (at 5 m/s ²)
Admissible traversing speed	3.3 m/s
Torsional stress	± 180 °/m
Ambient temperature	
Stationary	-50 ... 80°C
In motion	-25 ... 80°C
Drag chain operation	-25 ... 60°C