

Expansion thermometer Exhaust gas temperature controller Model STW15

WIKA data sheet TV 28.05

Applications

- Temperature monitoring device for heat generation plants
- For heat generators with 2 fuels

Special features

- High switching reliability
- Temperature indicator and safety temperature monitor in a single instrument
- Version per DIN EN 14597
- Overtemperature safe up to 600 °C



Exhaust gas temperature controller, model STW15

Description

The safety temperature controller model STW15 has been designed for the operating medium of air (flue gas). It will open a control circuit when the temperature on the temperature sensor exceeds the non-adjustable set point.

Damage to the measuring system also leads to an interruption of the circuit, as required by the enhanced safety. The measuring system is coupled with a pointer which displays the respective temperature status on a scale.

Standard version

Nominal size in mm

72 x 72

Temperature range

Overtemperature safe up to +600 °C

Switch point

fixed between 50 ... 300 °C

Switch point accuracy

±6 K

Switching differential

12 K

Dial

Aluminium, white, black lettering

Measuring principle

Bourdon tube system

Contact

Micro switch

Contact version

1 fixed change-over contact

2 fixed change-over contacts (same switch point)

Switch rating

max. 5 A, AC 250 V non-inductive

Connection, electrical

0.8 x 6.3 mm blade terminal or terminal connection

Case

Plastic, black

Mounting option

with mounting bracket

Ingress protection

IP53 case in accordance with EN/IEC 60529

Temperature sensor

Stainless steel

Threaded connection

Steel, galvanised

Measuring line

1.4571 stainless steel, Ø 2 mm

Length of the measuring line

Standard 1.5 m, max. 5 m

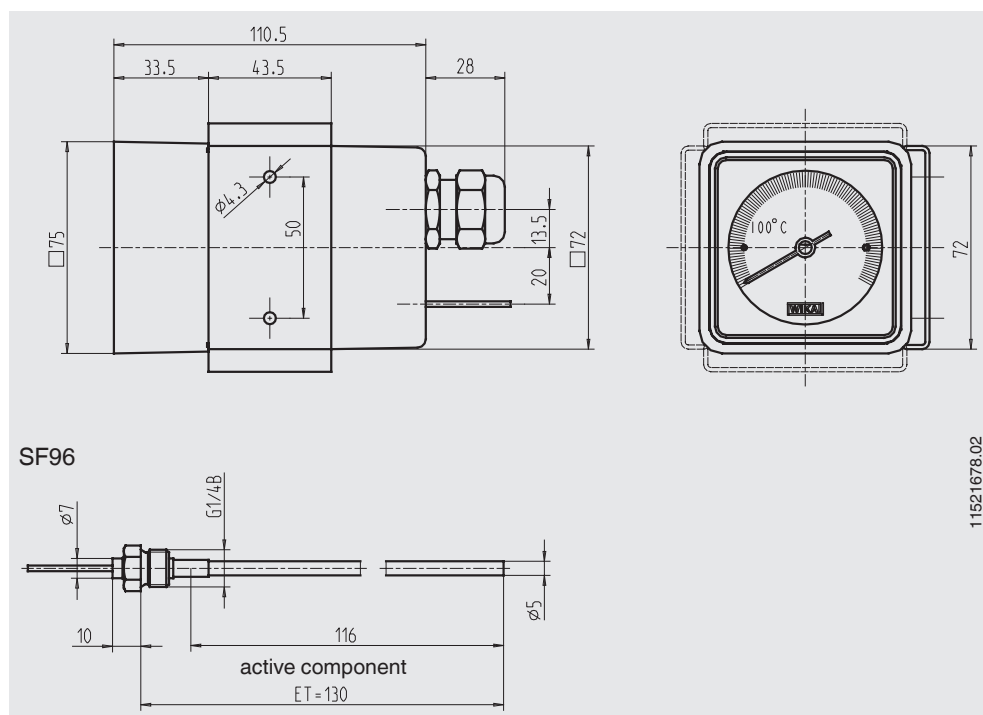
Measuring line outlet

Eccentric back mount




Version

tested in accordance with DIN EN 14597 and pressure equipment directive

Dimensions in mm



Approvals

Logo	Description	Country
	EC declaration of conformity <ul style="list-style-type: none">■ Pressure equipment directive■ Low voltage directive	European Community
	EAC (option) Electromagnetic compatibility	Eurasian Economic Community
	GOST (option) Metrology, measurement technology	Russia

Certificates (option)

2.2 test report per EN 10204 (e.g. state-of-the-art manufacturing, material proof, indication accuracy)

Approvals and certificates, see website

Ordering information

Model / Contact version / Switch points / Length of the measuring line / Connection design

© 2016 WIKA Alexander Wiegand SE & Co. KG, all rights reserved.
The specifications given in this document represent the state of engineering at the time of publishing.
We reserve the right to make modifications to the specifications and materials.

