



Xmelt[®]

Hotmelt hoses.
The flexible savvy connection.

Hotmelt Hoses with Xmelt® InterActive technology

The highly flexible Xmelt® hotmelt hoses transport liquid glue at the right temperature and under pressure to the application head. They are equipped with high performance heating and longlife temperature sensors along their entire length. Xmelt® hoses, in connection with Baumer hhs melters and guns, can regulate the glue temperature in stages from the tank to the gun. There is no overheating of the glue at any time and

therefore, charring of the glue is excluded. As the hoses are an integrated part of the Xmelt® InterActive series, you, as the user, do not have to take care of the electrical design. Xmelt® guns and Xmelt® hoses utilize special Baumer hhs electronics to communicate with the central Xmelt® melter.

Setting the parameters is completely redundant as the units know each other. The

seamless integration of the hose into the system ensures that the glue is transported at ideal pressure and perfect temperature and therefore, the material is protected. A fault, should it occur, is detected immediately and displayed in plain text.

The hoses are highly flexible and available with different outside diameters for ideal laying.

Hotmelt hose structure and connection

Inner hose (A)

- Temperature stable plastic
- Very low coefficient of friction
- High chemical stability
- High heat resistance
- Aging stability

Stainless steel casing (B)

- absorbs the pressure

Heat conductor (C)

- wound evenly around the hose, provides steady heating up.

Silicone hose (E)

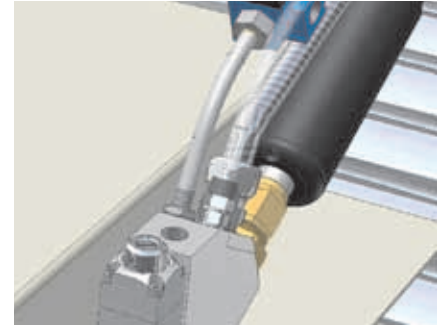
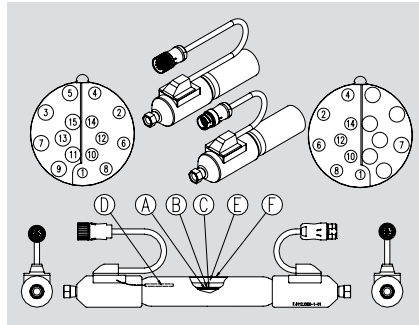
- as protection and heat insulation

Skin (F)

- Polyamide material

Two diameter options

- zt Ø outside = 45 mm (1.77")
zt Ø inside = 8 mm (0.314")
- ht Ø outside = 45 mm (1.77")
ht Ø inside = 8 mm (0.314") with internal air pipe for spray guns
- st Ø outside = 30 mm (1.18")
st Ø inside = 8 mm (0.314")



All specifications subject to change without prior notice.

The following hose lengths can be supplied as standard (special lengths upon request):

Ø 30 mm: 1200 mm; 1800 mm; 2400 mm; 3000 mm; 4000 mm; 5000 mm; 6000 mm
Ø 45 mm: 600 mm; 1200 mm; 1800 mm; 2400 mm; 3000 mm; 4000 mm; 5000 mm; 6000 mm

Ø 1.18": 47.24"; 70.86"; 94.48"; 118.1"; 157.4"; 196.8"; 236.2"

Ø 1.77": 23.6; 47.24"; 70.86"; 94.48"; 118.1"; 157.4"; 196.8"; 236.2"

Technical data

Operating voltage	Temperature sensor	Max. operating temperature	Max. operating pressure	Hose insulation	External protecting material	Outside diameter	Ambient temperature	Rel. humidity
1N~230 ±10% 50/60Hz	Pt100	200°C 392°F	80 bar 1.160 psi	Silicone foam	Polyamide	45 mm and 30 mm 1.77" or 1.18"	0...+50°C 32...122°F	<90%, uncondensed

Further information and product advantages can be found under www.xmelt.com