



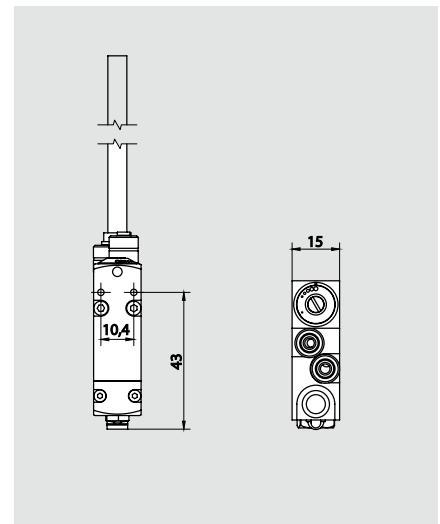
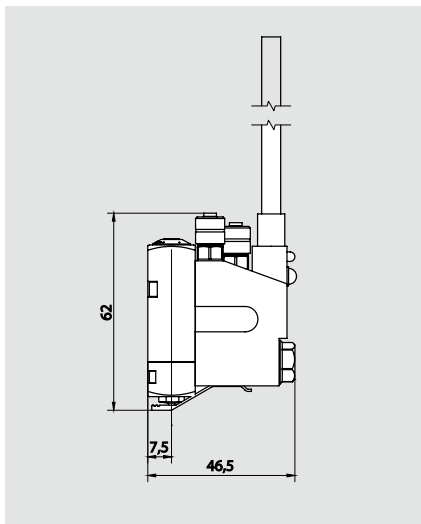
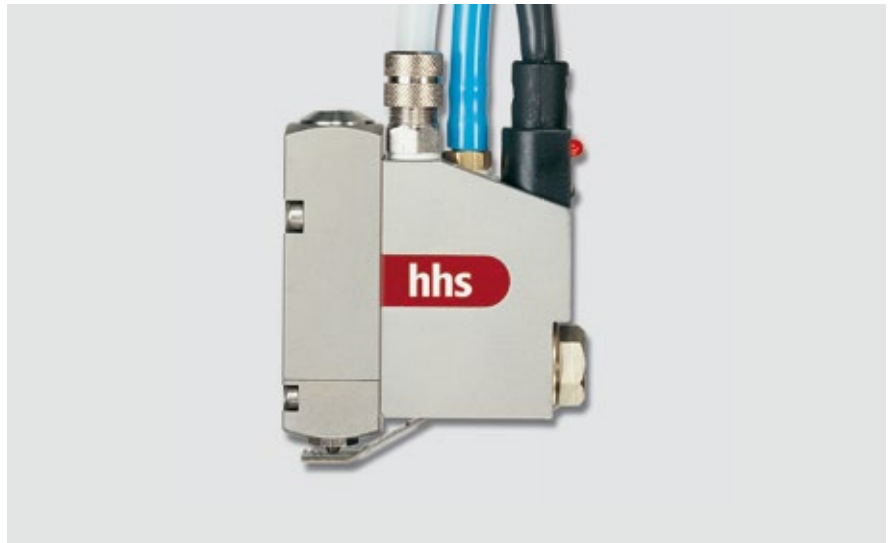
V-500 application head.
The high performance solution
for dot glue application.
More dynamic than ever before.

Vario application heads for precise non-contact dot application

The new generation of the compact electric vario application head is faster and more robust than ever before. Best suitable for non-contact application of low to medium viscosity dispersion adhesives, it is primarily used on folders, mailers and web finishing machines.

V-500

- Extremely close dot pitch at highest machine speeds
- Precision stroke adjustment allows fine control of adhesive quantity applied
- Excellent cut-off and cleanliness through optimised nozzles and innovative valve technology
- Pneumatic shutter prevents drying of glue at the nozzle tip
- Robust design provides ease of maintenance and long service life
- Integrated control indication simplifies diagnosis and monitoring of operation
- Manual activation and purging through an integrated micro switch
- Multi-nozzle heads in single or double row arrangement available



All specifications subject to change without prior notice.

Technical data

Range	Description	Material	Adhesive connection	max. pressure	max. frequency*
V-500	dot gluing application head	Stainless Steel	6/4 mm	6 bar	1,000 cycles/sec.

* the frequency depends on the adhesive viscosity.

Baumer hhs offers an extensive range of gluing and quality assurance systems.
For more information see www.baumerhhs.com