

INNOVATIVE
ENERGY
LOCAL

BALDOR • **RELIANCE**

NEW PRODUCTS
EFFICIENCY LEADER
INVENTORY

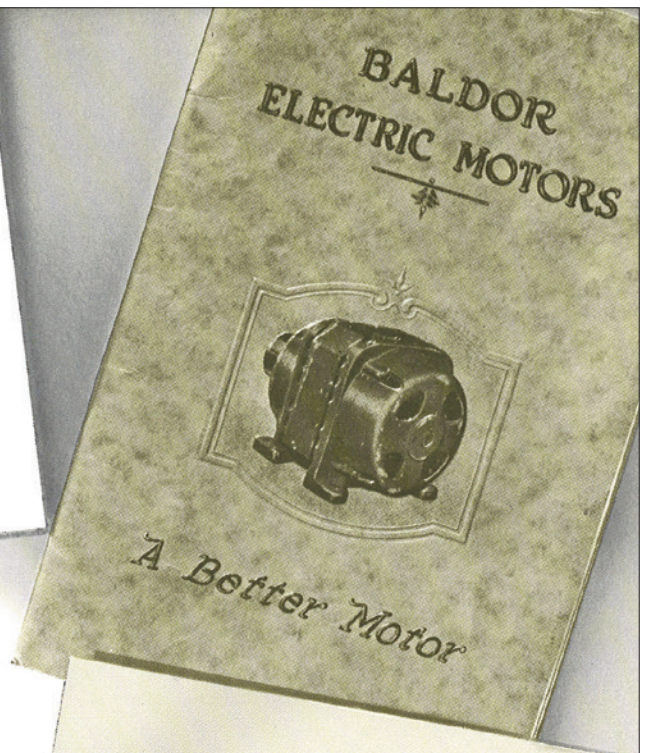
501

Effective: June 1, 2016

STANDARD PRODUCT CATALOG



Company founder and board chairman, E. C. Ballman (second from left), is shown in this early photo with some of the men who began Baldor Electric Company in 1920. The "build a better motor" concept established by Mr. Ballman, is still important to the Company more than 95 years later.



Way back in the 1920's
BALDOR[®]
committed themselves to
"build a better motor."

And to this day,
we still do.

To build a better
motor, our quality
(as determined by
our customers) begins
and ends with each person at Baldor.

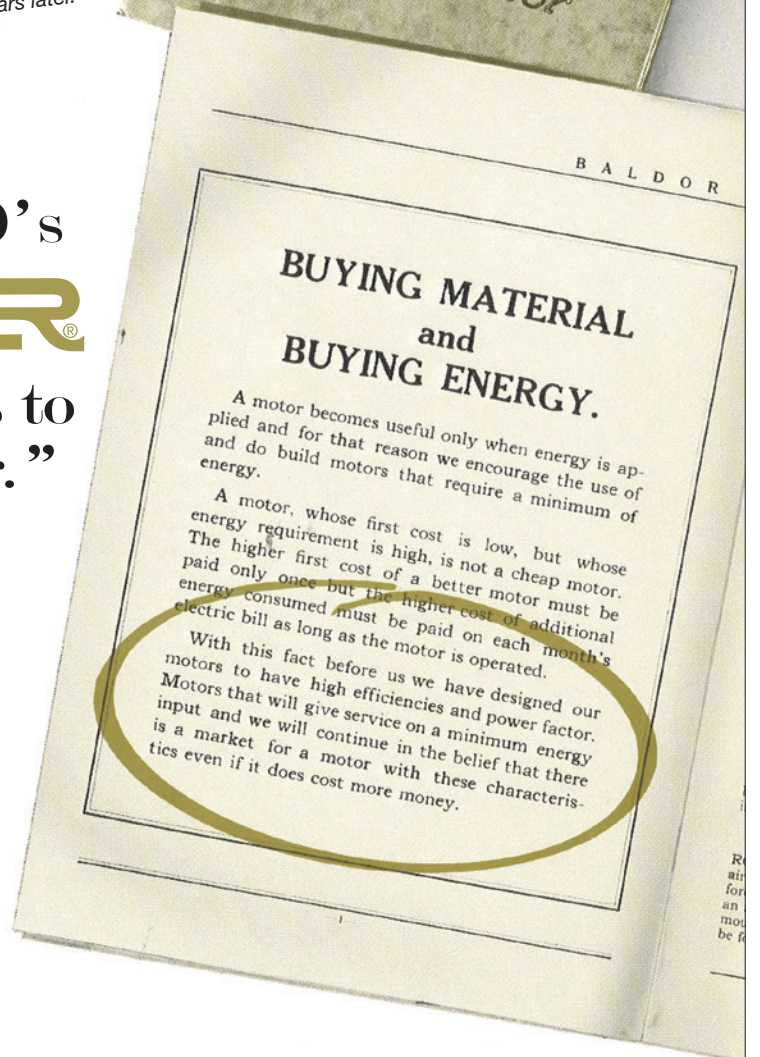


Table of Contents

Single Phase Motors

Single and Three Phase General Purpose Motors Key Features..... 11
 Single Phase, TEFC, Foot Mounted 12
 Single Phase, TEFC, C-Face 14
 Single Phase, ODP, Foot Mounted..... 15
 Single Phase, ODP, C-Face 17

General Purpose Motors

Three Phase, Totally Enclosed, Foot Mounted..... 18
 Three Phase, Totally Enclosed, C-Face, Foot Mounted 26
 Three Phase, Totally Enclosed, C-Face, Footless..... 29
 Three Phase, Open Drip Proof, Foot Mounted 33
 Three Phase, Open Drip Proof, C-Face, Foot Mounted..... 38
 Three Phase, Open Drip Proof, C-Face, Footless..... 39
 F-2 Mount, Three Phase, TEFC and ODP, Foot Mounted..... 41

Severe Duty Motors

Severe Duty Motors Key Features..... 43
 Three Phase, Totally Enclosed, 230/460 Volts & 460 Volts,
 575 Volts, Foot Mounted 44
 Three Phase, Totally Enclosed, 460 & 230/460 Volts, C-Face 49
NEW! RPM XE, eXtreme Efficient, Totally Enclosed, 460 Volts 51
 IEEE 841, Three Phase, Totally Enclosed, 460 & 575 Volts..... 52
 IEEE 841, Three Phase, TEFC, 460 & 575 Volts, C-Face 55
 661XL / IEEE 841, Three Phase, TEFC, 460 Volts, Foot Mounted..... 57
NEW! Dirty Duty, Three Phase, TEFC 58
 Quarry Duty Motors, Three Phase, TEFC, Design C, High Torque 60
NEW! Crusher Motors, Three Phase, TEFC, 460 Volts,
 Foot Mounted..... 61
 Conversion base kit CB5744T 62
 Oil Field Pump, Three Phase, TEFC and ODP, Design D,
 Foot Mounted..... 63
 Division 2 Capabilities 64

Large AC Motors

Large AC Motors Key Features..... 69
 GPM (General Purpose Motor), Three Phase, Totally Enclosed,
 Foot Mounted..... 70
 Severe Duty, Three Phase, Totally Enclosed, Foot Mounted..... 73
 Standard 2300/4160 Volt motor 74
NEW! Three Phase, Open Drip Proof, Foot Mounted..... 74
 Division 2 Capabilities 75

Washdown Duty Motors

Washdown Duty Motors Key Features 76
 Single Phase, Totally Enclosed, Foot Mounted 77
 Single Phase, Totally Enclosed, C-Face 77
 Three Phase, Totally Enclosed, Foot Mounted..... 78
 Three Phase, Totally Enclosed, C-Face, Foot Mounted 79
 Three Phase, Totally Enclosed, C-Face, Footless..... 80
 Three Phase, Totally Enclosed, C-Face, 575V..... 81
 Feather Picker Motor, Three Phase, TEFC, Encapsulated,
 Foot Mounted..... 82
 Feather Picker Motor, Three Phase, TEFC, Encapsulated,
 C-Face, Foot Mounted 82
 Brake Motor, Three Phase, Totally Enclosed, C-Face,
 Foot Mounted..... 83
 Jet Pump, Three Phase, TEFC, C-Face 83

Washdown Duty Motors (continued)

Close-Coupled Pump, Three Phase, Totally Enclosed 84
 SSE Super-E Stainless Steel, Close-Coupled Pump,
 Three Phase, Totally Enclosed, Encapsulated 85
 Paint-Free, Three Phase, Totally Enclosed, C-Face 86
 Stainless Steel, Three Phase, Totally Enclosed, C-Face,
 Foot Mounted..... 87
 Stainless Steel, Three Phase, Totally Enclosed, C-Face, Footless 88
 SSE Super-E Stainless Steel, Three Phase, Totally Enclosed,
 C-Face, Foot Mounted, Encapsulated 89
 SSE Super-E Stainless Steel, Three Phase, Totally Enclosed,
 C-Face, Footless, Encapsulated 90
 SSE Super-E Stainless Steel, Three Phase, 575V,
 Totally Enclosed, C-Face, Foot Mounted, Encapsulated 91
 Washdown Lead Connection Kits 91
 Inverter Motor, Paint Free, Three Phase, Totally Enclosed, C-Face 92
 Inverter Motor, Three Phase, TENV, C-Face, Foot Mounted 93
 Vector Motor, Three Phase, TENV, C-Face, Foot Mounted..... 93

Explosion Proof Motors

Explosion Proof Motors Key Features 94
 Explosion Proof, Single and Three Phase, Foot Mounted..... 95
 Explosion Proof, 575 Volt, Three Phase, Explosion Proof 98
 Explosion Proof, Single and Three Phase, C-Face 99
 Explosion Proof, Single and Three Phase, NEMA Frame,
 C-Face, Foot Mounted, 50 Hz 101
 Explosion Proof, Severe Duty, Three Phase, 1.15 Service Factor 102
 Drill Rig Duty, Three Phase, 1.15 Service Factor..... 103
 Drill Rig Duty, Single Phase, C-Face, 1.15 Service Factor,
 Foot Mounted..... 106
 Drill Rig Duty, Close Coupled Pump 107
 Explosion Proof, Jet Pump, Footless 107
 Explosion Proof, Close-Coupled Pump, Three Phase 108
 Explosion Proof, Brake Motor, Three Phase, C-Face..... 108
 Explosion Proof, Inverter Duty, Class I, Group D, Foot Mounted..... 109
 Explosion Proof, Inverter Duty, Class I, Group D, C-Face,
 Foot Mounted..... 110
 Explosion Proof, Inverter Duty, Class I, Group D,
 Class II, Group F&G, C-Face, Foot Mounted, 10:1 CT, 10:1 VT 110
 Explosion Proof, Inverter Duty, Class I, Group C&D, Class II,
 Group F&G T3C (160°C) Temperature Code, 4:1 CT, 10:1 VT..... 111

Pump Motors

Pump Motors Key Features 112
NEW! Fire Pump, Three Phase, ODP, Foot Mounted 113
NEW! Fire Pump, Three Phase, ODP, Footless,
 Close-Coupled Pump 114
 Jet Pump, Single Phase, TEFC 115
 Jet Pump, Single Phase, ODP 116
 Jet Pump, Three Phase, TEFC..... 117
 Jet Pump, Three Phase, ODP 118
 Washdown, Jet Pump, Three Phase, TEFC, C-Face..... 119
 Square Flange Pump, ODP..... 119
 Close-Coupled Pump, Single Phase..... 120
 Close-Coupled Pump, Three Phase, Foot Mounted,
 With Internal Aegis® Bearing Protection Ring..... 121
 Close-Coupled Pump, Three Phase, TEFC 122
 Close-Coupled Pump, Three Phase, TEFC, Footless 125

General Information
 Single Phase Motors
 General Purpose Industrial Motors
 Severe Duty Motors
 Large AC Motors
 Washdown Duty Motors
 Explosion Proof Motors
 Pump Motors
 HVAC Motors
 Farm Duty Motors

Table of Contents

Pump Motors (continued)

Close-Coupled Pump, Three Phase, ODP 126
 Washdown Close-Coupled Pump, Three Phase, Totally Enclosed... 129
 SSE Super-E Stainless Steel, Close-Coupled Pump,
 Three Phase, Totally Enclosed, Encapsulated 130
 P-Base Vertical Solid Shaft Pump, Three Phase, TEFC 131
 P-Base Vertical Solid Shaft Pump, Three Phase, ODP 133
 SAE Hydraulic Pump Motors, Three Phase, Continuous Duty 134
NEW! Submersible Motors, Single Phase, TENV 134
NEW! Submersible Motors, Three Phase, TENV..... 135

HVAC Motors

HVAC Motors Key Features 136
 Super-E® Three Phase, TEFC, Foot Mounted,
 with Internal Baldor Shaft Grounding Brush 137
 Super-E® Three Phase, ODP, Foot Mounted,
 with Internal Baldor Shaft Grounding Brush 138
 Super-E® Three Phase, TEFC, Foot Mounted,
 with Internal AEGIS® Bearing Protection Ring 139
 Super-E® Three Phase, ODP, Foot Mounted,
 with Internal AEGIS® Bearing Protection Ring 141
 Super-E® Three Phase, ODP, Foot Mounted 143
 Super-E® Three Phase, TEFC, Foot Mounted 145
 Chiller/Cooling Tower, Three Phase, TEAO..... 146
 Chiller/Cooling Tower, Three Phase, Two Speed, TEFC..... 147
 Ventilation Fan, Three Phase, TEAO, C-Face, Footless 147
 Three Phase, TEAO, Foot Mounted 148
 Condenser Fan, Three Phase, ODP, “Belly Band” Round Body..... 149
 Condenser Fan, Three Phase, TEAO, “Belly Band” Round Body..... 149
 Fan and Blower, Single and Three Phase, ODP, Resilient Base 150
 Three Phase, ODP..... 151
 (PSC) Direct Drive Fan, Single Phase, Foot Mounted, TEAO 151
 Direct Drive Fan, Single and Three Phase, TEAO 152
 Yoke/Pedestal Fan, Single Phase, PSC, TEAO..... 152

Farm Duty Motors

Farm Duty Motors Key Features 153
 Super-E® Three Phase, TEFC 154
 Single Phase, TEFC..... 155
 Grain Dryer/Centrifugal Fan, Single and Three Phase,
 TEFC and ODP..... 156
 Grain Dryer/Vane Axial Fan, Single and Three Phase,
 TEAO and OPAO 157
 Universal Crop Dryer, Single Phase, PSC (switchless), OPAO..... 158
 Irrigation Tower Drive, Three Phase, TENV 158
 Auger Drive, Single Phase, TEFC, Flange Mount, Capacitor Start ... 159
 Grain Stirring, Single Phase, TEFC, Foot Mounted..... 159
 Instant Reversing, Single Phase, TEFC, Foot Mounted 160
 Aeration Fan, Single and Three Phase, TEAO, Foot Mounted 160
 (PSC) - Direct Drive Fan, Single Phase, TEAO..... 161
 Dairy/Vacuum Pump, Single Phase, TEFC, Foot Mounted 161
 Metering Pump, Three Phase, TEFC, Foot Mounted 162
 Incubator/Hatchery Vent Fan, Single Phase, TEAO 162

Definite Purpose Motors

NEW! Ammonia Compressor Motors 163
 Three Phase, Two Speed, TEFC, Foot Mounted 164

Definite Purpose Motors (continued)

Three Phase, Two Speed, ODP, Foot Mounted..... 166
 Pressure Washer, Single Phase, TEFC and ODP..... 167
 U-Frame, Three Phase, TEFC 168
 U-Frame, Single Phase..... 169
 Automotive Duty, Three Phase, TEFC, Foot Mounted 169
 Single and Three Phase, TENV, Foot or C-Face Mounting,
 Removable Base 170
 Synchronous Permanent Magnet, Three Phase, TEFC,
 Foot Mounted..... 170

Unit Handling Motors

Single and Three Phase, C-Face, TEFC 171
 High Cycle Brake Motor, Three Phase 173
 D-Series Brake Motor, Single Phase, TEFC, Footless..... 173
 D-Series Brake Motor, Three Phase, Totally Enclosed 174
 D-Series and SSB Fast Response Brake Kit 175
 Short Series Brake Motor, Three Phase, TEFC..... 176

Brake Motors

Single and Three Phase, TEFC 177
 Single and Three Phase, TEFC, C-Face, Fan on Drive End 179
 Three Phase, ODP..... 180
 Washdown, Three Phase, Totally Enclosed, C-Face,
 Foot Mounted..... 181
 Double C-Face Motor Brake Kits 181

IEC Frame Motors

Metric IEC Frame Motors, Three Phase, IP55, 50/60 Hz,
 Foot Mounted..... 182
 Metric IEC Frame Motors, Three Phase, 60 Hz, 460 Volts..... 185
 Metric IEC Frame Motors, Three Phase, IP55, 60 Hz, 460 Volts..... 186
 Metric IEC Flange Kit for Process Performance Aluminum
 and Cast Iron Motors (safe area)..... 187
 Metric IEC Frame Motors, Three Phase, IP55, 50/60 Hz,
 B5 Flange..... 187
 Metric IEC ATEX/IECEX Flameproof Ex d IIC T4, IP55,
 Three Phase, 50 Hz, Foot Mounted 189
 Metric IEC ATEX/IECEX Flameproof Ex de IIC T4, IP55,
 Three Phase, 50 Hz, Foot Mounted 190
 Metric IEC ATEX/IECEX Non-Sparking Ex nA II T3, IP55,
 Three Phase, 50 Hz, Foot Mounted 191
 Metric IEC Frame Motors, Three Phase, 60 Hz, 230/460 Volts..... 192
 Metric IEC Frame Motors, Three Phase, 60 Hz, 575 Volts..... 193
 Metric IEC Frame Motors, 60 Hz. — Replacement Parts List 194
 Metric IEC Frame Motors, Three Phase, 60 Hz. — Dimensions 195
 Metric IEC, Three Phase, 60 Hz, TEFC, IP54, Foot Mounted 196
 Metric IEC, Three Phase, 60 Hz, TEFC, IP54, B5 Flange..... 197
 Metric IEC, Three Phase, 60 Hz, TEFC, IP54, B14 Face 198

50 Hertz Motors

Single Phase, NEMA Frame, TEFC and ODP, Foot Mounted..... 199
 Three Phase, NEMA Frame, TEFC and ODP, Foot Mounted 200
 Single and Three Phase, NEMA Frame, TEFC, C-Face, Footless 201
 Single and Three Phase, NEMA Frame, Explosion Proof,
 C-Face, Foot Mounted 202

General Information

Single Phase Motors

General Purpose Industrial Motors

Severe Duty Motors

Large AC Motors

Washdown Duty Motors

Explosion Proof Motors

Pump Motors

HVAC Motors

Farm Duty Motors

Table of Contents

Inverter and Vector Motors & Controls

Inverter and Vector Motors Key Features203
 AC Motor Adjustable Speed Range Capabilities204
NEW! RPM XE, Sensorless PM, eXtreme Efficient,
 Totally Enclosed, Severe Duty, 460 Volts205
 RPM AC, Salient Pole PM Rotor, Three Phase, TEBC205
 RPM AC, Inverter Duty, Three Phase206
 RPM AC, Vector Duty, Three Phase, Totally Enclosed208
 Encoder Feedback Kits209
 Encoder Mounting Kits – no encoder.....210
 RPM AC Slide Bases.....210
 RPM AC Filter Kits.....210
 RPM AC Mounting Conversion Kits for FL180-FL280 Frames.....211
 Replacement Blower Kits for DPG-FV RPM AC Motors211
 V*S Master Inverter Drive, Three Phase, Totally Enclosed.....212
 V*S Master Vector Drive, Three Phase, Totally Enclosed213
 V*S Master Severe Duty Vector Drive, Three Phase,
 Totally Enclosed.....214
 V*S Master Encoder Feedback Kits 360-440 Frame Size.....214
 Inverter, Three Phase, TEBC and TENV, C-Face, Foot Mounted.....215
 Vector, Three Phase, TEBC and TENV, C-Face.....216
 Inverter Gearmotor - Right Angle217
 Inverter Gearmotor - Parallel Shaft.....218
 Feedback Cable Assembly with MS Connector219
 Connector Transition (Patch) Cables219
 Encoder Feedback Kits for IDM, IDNM and IDWNM Motors220
 Constant Velocity Blower Cooling Conversion Kits.....221
 AC Drives Selection Chart222
 ACS55 AC Micro Drive224
 ACS150 AC Micro Drive227
 ACS250 IP20 AC Micro Drive230
 ACS250 IP66 AC Micro Drive233
 ACS310 AC Micro Drive236
 ACS355 AC Micro Drive240
 ACS355 IP66 UL Type 4X AC Micro Drive.....246
 ACB530 AC Inverter Drive250
 ACB530 +L502 AC Vector Drive.....257
 Series 5 Micro Inverters265
 Series 5 Options.....266

DC Motors and Controls

DC Motors Key Features267
 Subfractional Permanent Magnet DC Motor, TENV, Rigid Base268
 SCR Drive Fractional Permanent Magnet Motor,
 TENV and TEFC, C-Face with Base.....268
 Integral DC Tach Permanent Magnet SCR Drive Motor269
 Explosion Proof Permanent Magnet SCR Drive Motor.....269
 Washdown Duty Permanent Magnet SCR Drive Motor270
 Paint Free Washdown Duty Permanent Magnet SCR Drive Motor...270
 Metric Flange Permanent Magnet SCR Drive Motor.....271
 Low Voltage Permanent Magnet Motor.....272
 DC Power Motor272
 Shunt Wound SCR Drive Motors273
 Shunt Wound SCR Drive Motors, Explosion Proof273
 RPM III DC Shunt Wound SCR Drive Motors, 180V Armature274
 RPM III DC Shunt Wound SCR Drive Motors, 240V Armature274

DC Motors and Controls (continued)

RPM III DC Shunt Wound SCR Drive TEFC Motors,
 240V & 500V Armature.....275
 RPM III Wound Field SCR Drive DPG-FV Motors,
 240V & 500V Armature.....276
 RPM III Wound Field SCR Drive DPG Motors,
 240V & 500V Armature.....277
 RPM III DC Motor Accessories and Kits.....278
 SCR Drive Motor, Shunt and Stabilized Shunt Wound – DPFG280
 SCR Drive Motor, Shunt and Stabilized Shunt Wound – DPBV.....281
 SCR Drive Motor, 240V Armature –
 240V Field Shunt Wound DPFG.....281
 Shunt Wound SCR Drive TEFC Motors.....282
 Lifting Magnet Generators282
 Tach Mounting Kits/Cooling Blowers for DC Integral Hp Motors.....283
 Tach Generators DC, AC and Digital Output284
 Field Conversion Tach Mounting Kits for Permanent Magnet and
 Shunt Wound Motor285
 NEMA 1 Enclosed DC Controls for PMDC and
 Shunt Wound Motors286
 DC Control Accessories.....286
 Chassis Mount DC Controls287
 Plug-in Horsepower Resistor and Fuse Kit.....288
 NEMA 4X DC Control and Accessories.....289
 Line Regenerative DC Controls and Accessories290
 NEMA Enclosed DC Control Specifications.....291
 Chassis Mount DC Control Specifications.....292
 DCS800-EP DC Panel Drive293
 DCS800-EP Modifications296
 DCS800-EP Option Kits297
 DCS800-EP Dimensions.....301

Gearmotors & Gear Products

Gearmotors and Gear Products Key Features.....302
Right Angle AC Gearmotors.....303
 FTA Style303
 GNA Style304
 D Style305
 E Style306
 B Style.....308
 G Style310
 K Style.....312
 HK Style315
 C Style316
 J Style318
 JAF Style.....321
 H Style and H Gearbox Accessories.....322
Parallel Shaft AC Gearmotors.....323
 PSSH Style.....323
 PSM Style326
 PSM Mounting Adapters328
 PSL Style329
 "L" Type Mounting Brackets330
NEW! PS1200 Style.....335

Continued on next page

General Information

Single Phase Motors

General Purpose Industrial Motors

Severe Duty Motors

Large AC Motors

Washdown Duty Motors

Explosion Proof Motors

Pump Motors

HVAC Motors

Farm Duty Motors

Table of Contents

Gearmotors & Gear Products (continued)

Speed Reducers	337
H50 – Right Angle – Hollow Shaft – Worm Gear Reducer	337
H Gearbox Accessories.....	337
900 Series – Right Angle – Quill Type Solid Shaft	338
900 Series – Right Angle – Quill Type Hollow Shaft	343
Stainless Steel – Right Angle – Quill Type Solid Shaft	344
Stainless Steel – Right Angle – Quill Type Hollow Shaft	345
Washdown – Right Angle – Quill Type Solid Shaft	346
900 Series – Right Angle – Coupling Type – Solid Shaft	347
900 Series – Right Angle – Solid Shaft.....	349
Universal Series – Right Angle – Quill Type – Solid Shaft	350
Inline Helical	352
Ratio Multiplier – Inline – Quill Type Solid Shaft.....	353
900 Series – Right Angle Base Kits.....	354
Universal Series – Right Angle Base Kits.....	354
Flange, Riser Block and Torque Arm Kits	355
Flange, Bushing and Double Reduction Adapter Kits.....	356

Motor Accessories

C-Face Kits for Field Conversion NEMA AC Motor.....	357
C-Face Kits for Field Conversion NEMA DC SCR Drive Motor.....	359
Double C-Face Motor Brake Kits	359
Conduit Box Kits	360
D-Flange Kits.....	361
Drain Fitting Kit	361
Drip Covers for Field Conversion.....	361
Cast Iron Fan Cover and Conduit Boxes For Field Conversion	362
Gear Motor Accessories	363
Adjustable Motor Bases.....	364
Adjustable Motor Bases Dimension Diagrams.....	365
Conversion Bases	366
Conversion Bases Dimension Diagrams.....	366

Grinders

Industrial Grinders.....	367
Industrial Tool Grinders	370
Industrial Abrasive Belt Sanders.....	371
Industrial Buffers.....	371
Big Red Grinders and Accessories	372
Grinder Accessories	373
Grinder Wheels.....	374
Polishing Lathes and Chucks.....	375
Dust Collector Bags.....	375

Baldor Mod Express

Motor Mod Express.....	376
------------------------	-----

ABB Mod Express

ABB Motor Mod Express.....	416
----------------------------	-----

ABB ATEX Mod Express

ABB ATEX Motor Mod Express.....	423
---------------------------------	-----

Catalog Index

Catalog Index	430
---------------------	-----

Baldor Sales Offices

Baldor Sales Offices	511
----------------------------	-----

Pricing and Data subject to change without notice.

General Information

Single Phase Motors

General Purpose Industrial Motors

Severe Duty Motors

Large AC Motors

Washdown Duty Motors

Explosion Proof Motors

Pump Motors

HVAC Motors

Farm Duty Motors

Baldor Electric Company provides easy access to current data on our website www.baldor.com. Customers will find key information on the following topics:

- Baldor Sales Offices
- Authorized Distributors
- Sales Terms & Conditions
- Freight Policy
- Warranty Information
- Authorized Service Centers
- Product Literature
- Energy Efficiency
- Performance Data
- Connection Diagrams
- Dimension Sheets
- Installation Manuals
- Renewal Parts
- Customer Product Education

501 CATALOG NOTES:

Efficiencies – Efficiencies of all 60 Hz motor designs are listed as NEMA nominal at full load (Except the motors designed to meet the Small Motor Rule average efficiencies as specified by the DOE).

Full Load Amps (FLA) – For low voltage amps, double high voltage amps shown, excluding medium voltage amps for 2300/4000 voltage.

Motor Bearings – Motors with ball bearings are suitable for coupled loads. If a load is belted, a roller bearing may be required, contact your local Baldor Sales Office if you have questions or need assistance.

Service Factor – NEMA T-frames in TEFC construction have a service factor of 1.15 or greater except where noted. All NEMA U- frame TEFC motors (except explosion-proof) have NEMA open service factors. Fractional horsepower TEFC motors have NEMA open service factors. All Inverter Duty® and Vector Duty® AC motors have 1.0 Service Factors. All DC motors have 1.0 service factors.

Mounting Holes – Most steel band and cast iron foot-mounted motors have dual mounting holes (143T-145T, 182T-184T, etc.)

F1/F2 – All Cast iron motors are built with symmetrical frames which may be converted from F1 to F2 by switching endplates and rotor from end-to-end except for L182T, L184T, L213T, L215T and L449T. TEFC 5000 and 5800 frame motors are field convertible from F1 to F2 via swingarm. For ODP 5000 and 5800 Frames, please check with factory for F-1/F-2 conversion. Frames with the “L” prefix have standard NEMA base and BA dimensions. Also applies to TC versions of these frame sizes.

SCR Drive Motors – Field Amps listed are for High Voltage Connections with motor at operating temperature.

Modified Motors – Using stock motors, Baldor can modify motors to fit a variety of applications in only 2 to 5 working days for most modifications. Please see the Mod Express section in this catalog for more information.

Custom Motors – For information on motor designs and capabilities not found in this catalog, please contact your local Baldor sales office.

IP PROTECTION – BALDOR ENCLOSURE ⁽¹⁾

Open Motor Enclosures:

IP22 or 23 - Open Drip Proof AC or DC Motors

Totally Enclosed Motor Enclosures* :

IP44 - LV General Purpose AC or DC Motors **

IP54 - MV General Purpose AC Motors

IP55 - ABB IEC Motors

Severe Duty AC Motors (ECP)

Crusher, Quarry & Dirty Duty Motors

White Washdown & Paint-Free Motors

IP56 - LV Motors Meeting IEEE 841

Dirty Duty Motors

Feather Picker Motors

Stainless Steel Motors (non-encapsulated)

IP69K for Water - SSE Stainless Steel Encapsulated Motors

Notes:

(1) Codes are not included on stock motor nameplate as standard.

* Totally Enclosed Motors will meet IP protection level indicated when drain plugs and or T-drains are properly installed.

** IP54 when Drain Fitting Kit #HA5027A03 is installed in the weep holes (48 thru 256T frame motors only)

SUMMARY OF IP PROTECTION NUMBERS

	First # Protection Against Solid Objects	Second # Protection Against Liquids
IP TESTS		0 NO PROTECTION
0 NO PROTECTION		1 Protection against vertical drops of water. (E.G. Condensation.)
1 Protection against solid objects up to 50 mm. (E.G. Accidental touch by hands.)		2 Protection against falling water up to 15 degrees from the vertical.
2 Protection against solid objects up to 12 mm. (E.G. Fingers)		3 Protection against falling water up to 60 degrees from the vertical.
3 Protection against solid objects over 2.5 mm. (E.G. Tools,Wires)		4 Protection against splashing water from all directions, limited ingress.
4 Protection against solid objects over 1 mm. (E.G. Tools, Wires, and Small Wires)		5 Protection against low pressure jets of water from all directions, limited ingress.
5 Protection against dust - limited ingress (No harmful deposits)		6 Protection against strong jets of water. (E.G. Use on ship decks, limited ingress.)
6 Totally protected against all dust.		7 Protection against immersion.
		8 Protection against submersion.
		9K Protection against high pressure, high temperature spray of water from all directions

Contact your local Baldor Sales Office for clarification, assistance or additional information on any Baldor•Reliance product. A listing of the offices is inside the front cover.

General Information

Single Phase Motors

General Purpose Industrial Motors

Severe Duty Motors

Large AC Motors

Washdown Duty Motors

Explosion Proof Motors

Pump Motors

HVAC Motors

Farm Duty Motors

Approvals UL and CSA

Approvals for AC Motors, Explosion Proof, and DC Motors:

File #:	Description:	Description:
E10822	UL Listed Explosion Proof AC Motors	182T - 449T Frames
		5008, 5010, 9540 Frames
		140TY - 440TY Frames - Submersible Water-Sewer Pump motors
		182T - 286T Frames – Shaker Duty motors
E481231	UL Listed Explosion Proof DC Motors	1811AT - 259AT Frames
		327AT - 3610A Frames
		408AT - 409AT Frames
E27506	UL Listed Fire Pump Motors	140 - 440 Frames, up to 400 Hp
E27506	UL Recognition for Thermally Protected motors	42 - 250 Frames - Subfractional thru 20 Hp motors
E37609	Special Explosion Proof conduit boxes	
E46145	UL Recognition for DC frames	42 - 184 Frames – Subfractional Motors and Gearmotors
		42 - 449 Frames
E54825	UL Recognition for AC frames	180 - 5800 Frames
		L180 - DL2814 Frames
E6881	UL Recognition for DC frames	48 - 4013AT Frames
		56 Frame
E6951	UL Listed Explosion Proof DC Motors	56 Frame
EEV79350	UL Listed Explosion Proof AC/DC Motors	48 - 449 Frames – Subfractional thru 300 Hp motors
EEV78389	CSAc-us EEV Certification (Energy Efficiency Verification)	1 - 500 Hp Motors
LR19467	CSA Certified Explosion Proof (Division 1)	140TY - 440TY Frames
		180 - 449T Frames
LR22553	CSA c-us Certified Explosion Protected (Division 2)	48 - 215 Frames
		56 - 364T Frames
LR2262	CSA Certification for Explosion Proof motors	42 - 184 Frames
		42 - 449 Frames
LR40567	CSA Certification for DC frames	L180 - DL2814 Frames – 32-1000 Hp
		48 - 4013AT Frames – 5-500 Hp
		7MG - 80MG Frames – 15-150 Hp
		140TY - 360TY Frames – Submersible and Immersible motors
LR46877	CSA c-us Certified Explosion Protected (Division 2)	L180 - L440 frames – TEPV Type X Purge Motors
		L180 - DL2814 Frames
LR48703	CSA Certification for Explosion Proof motors	
LR52580	CSA Certification for AC frames	447T - 10840 Frames up to 7200 Volts
		C4412 - B1610 Frames – 100-3000 Hp
LR53258	CSA c-us Certified Explosion Protected (Division 2)	447T - 9600 Frames up to 7200 Volts
LR60344	CSA c-us Certified Explosion Protected (Division 2)	447T - 10840 Frames up to 14000 Volts
LR63415	CSA Certification for Explosion Proof motors	
LR6451	CSA c-us Certification for AC frames	5800 - 10840 Frames – 1000-10000 Hp
LR6771	CSA Certified AC Division 1	
EEV78389	CSA EEV Certification (Energy Efficiency Verification)	1 - 500Hp
LR7861	CSA c-us Certification for NEMA frames	180 - 449 Frames – 600 Hp max.
LR40567	CSA c-us Certification for NEMA frames	180 - 449 Frames – 600 Hp max.

- Motor Designs built at Athens, Gainesville and Kings Mountain Plants.
- Motor Designs built at Clarksville, Westville, Fort Smith, Ozark, and Columbus Plants.
- Motor Designs built at Athens, Gainesville, Westville, Fort Smith, Ozark, and Columbus Plants.

Department of Energy (DOE) Compliance Certification: CC 010A

Motors for use in Canada meet NRC Canadian Standards for Efficiency.

DC Tachometers – XPY tachometers are UL recognized, file number E109527 and CSA listed file number LR36841-5.

DC SCR Controls and Accessories – BC-series SCR controls are UL/cUL Listed, file number E114039. DCS800-EP DC Drive Panels are UL/cUL listed, the file is E101649.

AC Inverter and Vector Controls – AC Drives – ACS55, ACS150, ACS310, and ACS355 drives and accessories are UL/cUL Listed, file number E211945. ACB530 and Series 5 drives and accessories are UL/cUL Listed, file number E124534.

Motors used Outside of the United States

Use of Baldor motors outside of North America

ABB and Baldor Electric are capable of supplying a wide range of electric motors suitable for use throughout the world. Both NEMA and IEC designs are available in a wide range of voltages, frequencies, mountings and certifications.

Compliance is not only about a regulated efficiency level to comply with MEPS but in many countries the motors must be certified and show a specific marking or documentation to allow importation and use. Such certification may be testing for efficiency in approved labs within that country. Usually these tests are done by spec and not for a wide ranging family. To avoid later confusion, addressing compliance needs and certifications should be done during the quote process, not after.

Please feel free to contact your local Baldor Sales Office or ABB office for assistance in determining what needs to be done to make your export motor compliant.

60 Hz Motors marked with 50 Hz data

Certain Baldor motors may have secondary 50 Hz nameplate data either at rated or reduced output power. Since most motors in this CA501 catalog are designed as 230/460 V, 60 Hz, on 50 Hz many of these motors are rated as 190/380 V. The efficiency on such motors is usually lower on 50 Hz than on 60 Hz and may not be compliant in all countries. Just because these motors are 50 Hz, they may not be CE compliant.

Please feel free to contact your local Baldor Sales Office for assistance in determining what needs to be done to make your export motor CE compliant.

European Union (EU) – CE compliance

The EU ErP Directive, Regulation 640/2009 mandates 7.5 – 370 kW (10-500 Hp 2, 4, and 6-pole low voltage motors (up to 1000 V) sold for use in Europe should be marked with IE3 efficiency level as of January 1, 2015. As of January 1, 2017, motors from 0.75 – 370 kW (1-500 Hp) will need to be IE3. Additionally the motors need to have a CE mark. There is no formal registration process for motors sold for use in the EU.

IE2 motors are still allowed to be sold if used with an adjustable speed drive. Baldor has created a sticker for the motor stating that it must be used with a drive. Again, the CE mark is required.

Intermittent duty (S2-S8), Brake motors, explosion-proof motors, 8-pole & slower and motors designed only for use with variable speed drives are exempt. Also motors with certain ambient and altitude marking may be exempt from EU regulations.

Note that specific motor construction and marking requirements beyond the motor efficiency level are required for CE compliance. These include nameplate markings, which IEC standards are referenced for compliance, earth ground symbol, IEC lead marking, half and three quarter efficiency levels (posted to Baldor literature or website), and more.

Please feel free to contact your local Baldor Sales Office for assistance in determining what needs to be done to make your export motor CE compliant.

UL AND CSA EXPLOSION-PROOF CLASSIFICATIONS

CAUTION!

Motors misapplied in hazardous environments can cause a fire or explosion resulting in destruction of property, serious injury or death. Only the end user or a qualified underwriter is to identify and select the proper class, group, division, and temperature code motor to meet the requirements of each installation. Baldor personnel can advise what listings and approvals Baldor motors carry, but cannot evaluate nor recommend what motors may be suitable for use in hazardous environments.

- Hazardous Locations** — For details on area classification and equipment suitability please consult NFPA70™ National Electric Code® Articles 500-516.
 - Class I Group C — locations are those which contain flammable gas, vapor, combustible liquid produced vapor mixed with air that may burn or explode, either having a maximum experimental safe gap (MESG) value greater than 0.45 mm and less than or equal to 0.75mm or a minimum igniting current ratio (MIC ratio) greater than 0.40 and less than or equal to 0.80. Ethylene is a typical Group C gas. For other substances in this group, please consult NFPA 497.
 - Class I Group D — locations are those which contain flammable gas, vapor, combustible liquid produced vapor mixed with air that may burn or explode, either having a (MESG) value greater than 0.75 mm or a (MIC ratio) greater than 0.80. Propane is a typical Group D gas. For other substances in this group, please consult NFPA 497.
 - Class II Group E — locations with atmospheres containing combustible metal dusts such as aluminum, magnesium and their alloys or other combustible dusts with particle sizes and conductivity that present similar hazards. For other substances and guidance relative to this group, please consult NFPA 499.
 - Class II Group F — locations with atmospheres containing combustible carbonaceous dusts with more than 8% entrapped volatiles. Coal, carbon black, charcoal and coke dust are examples from this group. For other substances and guidance relative to this group, please consult NFPA 499.
 - Class II Group G — locations with atmospheres containing combustible dusts not included in Group E or F, including flour, grain, wood, plastic and chemicals. For other substances and guidance relative to this group, please consult NFPA 499.
- Class II Temperature Codes are typically the lower of either the ignition temperature of the combustible dust that is present or 165°C. Low surface temperature requirements (higher temperature codes) in Class II F&G require that over temperature protection be used.
 - Class II Explosion-Proof Motors rated 1 1/2 Hp or less have internally mounted automatic thermal overloads when indicated by suffix "A". Caution must be observed when applying these to machinery applications to prevent accidental injury should the thermal device automatically reset and restart the motor.
 - Class II Explosion-Proof Motors rated 1 Hp and larger without automatic thermal overloads have thermostats in the windings. These thermostats are pilot circuit devices to be connected to the magnetic starter circuit.
- Motors for use in Class I only locations may be provided without T-stats. In these cases, the T-Code is determined by the maximum external surface temperature of the motor enclosure at the point when the winding burns out. These motors have T-Codes T2A or T2B depending on design, and require special sacrificial insulation. Consult Baldor for the acceptability of a requested T-code for specific designs. When motors for use in Division 1 areas (Class I and/or Class II) are provided with T-stats (Over temperature devices) the over-temperature protection must be utilized. If accepted by the AHJ (Authority Having Jurisdiction) other means of limiting the temperature may be utilized in the application. Such alternate protection means are the responsibility of the end user, and Baldor does not accept any responsibility for them.
- Surface temperatures of Baldor Explosion-Proof Motors will not exceed the following UL and CSA maximums under fault conditions. The "T" Code identifies the maximum absolute motor surface temperature that will be developed under all conditions of operation.
 - Division 1 considers external surface temperature and includes overloads and locked rotor conditions.
 - Division 2 considers internal and external surface temperatures during normal operation.

Maximum Surface Temperature	US (NEC 500) CA (CEC Annex J)	US (NEC 505) CA (CEC Section 18)
450° C	T1	T1
300° C	T2	T2
280° C	T2A	-
260° C	T2B	-
230° C	T2C	-
215° C	T2D	-
200° C	T3	T3

Maximum Surface Temperature	US (NEC 500) CA (CEC Annex J)	US (NEC 505) CA (CEC Section 18)
180° C	T3A	-
165° C	T3B	-
160° C	T3C	-
135° C	T4	T4
120° C	T4A	-
100° C	T5	T5
85° C	T6	T6

- Stock Motors are not suitable for applications in temperatures below -25°C (-13°F). Custom motor designs available for applications in temperatures down to -60C. Contact your Baldor Sales office for further information.
- All Explosion-Proof motors are supplied with Explosion-Proof UL and CSA approved conduit boxes as standard.
- Baldor•Reliance AC Explosion Proof Motors, on pages 75-87, are not approved for use on adjustable speed drives. Only Inverter Duty Explosion Proof motors (pages 88-90) can be used. Custom Explosion proof ratings available, contact your Baldor•Reliance Sales Representative.

Explosion Proof motors in this catalog use the following symbols to designate their Division 1, Class and Group certification capabilities. These assignments are for use with this version of the 501 catalog only.

XP Class & Group Symbol	Description
①	Class I, Group D
②	Class I, Group D, Class II, Group F & G
③	Class I, Group D, Class II, Group E, F & G
④	Class I, Group C & D
⑤	Class I, Group C & D, Class II, Group F & G

General Information

Single Phase Motors

General Purpose Motors

Severe Duty Motors

Large AC Motors

Washdown Duty Motors

Explosion Proof Motors

Pump Motors

HVAC Motors

Farm Duty Motors

Abbreviations: The Basic Baldor catalog number consists of a letter(s) prefix and several non-significant preceding numbers. A suffix letter(s) and/or number(s) may also be part of the catalog number. For example L3510 or L3510T. Following is a list of prefix and suffix definitions.

Motors Prefix		
AEM	Automotive Motor, Three Phase	IDWNM Washdown Inverter Drive Motor, TENV
AFL	Aeration Fan Motor, Single Phase	IDXM Explosion Proof Inverter Drive Motor, TEFC
AFM	Aeration Fan Motor, Three Phase	IDXCM Explosion Proof Inverter Drive Motor, TEFC, C-Face With Base
ANFL	Auger Fan Motor, Single Phase	IM Irrigation Drive Motor
AOM	Air Over Motor, Three Phase	IR Instant Reversing Single Phase Farm Motor
AP	Subfractional Hp, PM Motor	J 56J Stainless Steel Threaded Shaft with Dripcover/ Jet Pump
B	Brake Motor	JM JM Pump Shaft and Face
BN	Brake Motor, TENV enclosure	JP JP Pump Shaft & Face with Base/ Close Coupled Pump
BTG	Tachometer Generator	JPM JP Pump Shaft and Face with Base, Three Phase / Close Coupled Pump
C	NEMA C-Face with Base	JS Square Flange Pump Mount Motors with Threaded Shaft
CD	Wound Field DC Motor NEMA C-Face with Base	K Model 34 Diameter Motor with 56 C-Face, Less Base
CDMG	Lifting Magnet Generator, C-Face	L Single Phase Motor
CDP	PM SCR Drive Motor	M Three Phase Motor
CDPSWD	Paint Free Washdown PM SCR Drive Motor C-Face with Base	MM Metric Dimension Motor with Base
CDPT	PM SCR Drive Motor with Integral Tachometer	MP Metering Pump Motor, Three Phase
CDPWD	Washdown PM SCR Drive Motor NEMA C-Face with Base	MVM Metric Dimension Motor, Flange Mount less Base, Three Phase
CDPX	Explosion Proof PM SCR Drive Motor C-Face with Base	N Totally Enclosed Non-Ventilated Motor
CDX	Explosion Proof Wound Field DC Motor, NEMA C-Face	OF Oil Field Motor, Design D, High Slip
CEL	Super-E Premium Efficient Motor, Single Phase, C-Face	PCL Pressure Washer Motor, C-Face with base, Single Phase
CEM	Super-E Premium Efficient Motor, Three Phase, C-Face	PFTG Tachometer Generator Foot Mount
CFC	Condenser Fan Motor, Permanent Split Capacitor	PL Pressure Washer Motor, Single Phase
CFM	Condenser Fan Motor, Three Phase	PSC Permanent Split Capacitor Motor
CHC	Direct Drive Fan Motor, Permanent Split Capacitor	PTG Tachometer Generator
CHL	Direct Drive Fan Motor, Single Phase	R Repulsion-Start Induction-Run Motor
CHM	Direct Drive Fan Motor, Three Phase	RBM High Cycle Brake Motor, Three Phase
CJWDM	Washdown Jet Pump, Three Phase, Foot Mounted	RHM Definite Purpose HVAC Motors, Three Phase
CP	Severe Duty Motor	RL Resilient Base Motor (Cradle Mount), Single Phase
CR	Crusher Duty Motor	RM Resilient Base Motor (Cradle Mount), Three Phase
CSC	Checkout Stand Motor	SPM Synchronous Permanent Magnet Motor
CTM	Cooling Tower Motor, Three Phase	SSEWDM All Stainless Encapsulated Super-E Washdown Motor, Three Phase
CDM	Dirty Duty - Three Phase, C-Face	SSWDM All Stainless Washdown, Three Phase
D	Wound Field DC Motor	SWDM Paint Free Washdown Duty Motor, Three Phase
DDC	Direct Drive, Indoor Blower Motor, Permanent Split Capacitor	UCC Universal Crop Dryer Motor, Permanent Split Capacitor, Open Air Over
DEL	Dairy/Vacuum Pump Motor, Single Phase	UCCE Universal Crop Dryer Motor, Permanent Split Capacitor, TEAO
DM	Dirty Duty - Three Phase	UCL Grain Dryer/Vane Axial Fan, Single Phase, Open Air Over
E	Super-E Premium Efficient Motor	UCLE Grain Dryer/Vane Axial Fan, Single Phase, TEAO
ECP	Super-E Severe Duty Motor	UCM Grain Dryer/Vane Axial Fan, Three Phase, Open Air Over
ECP6	IEEE 661 Motor	UCME Grain Dryer/Vane Axial Fan, Three Phase, TEAO
ECP8	IEEE 841 Motor	UH Unit Handling Motor
ENCP	Super-E Severe Duty Motor, TENV	UHM Unit Handling Motor, Three Phase
ENCP8	IEEE 841 Motor, TENV	V NEMA C-Face Less Base
F	TEFC Motor (when special)	V2L Two Compartment Jet Pump Motor C-Face less Base, Single Phase
FDL	Farm Duty Motor, Single Phase	VEM Super-E Premium Efficient Motor, Three Phase, C-Face, Less Base
FDEM	Farm Duty Motor, Three Phase, Premium Efficient, Standard NEMA Frame	VHECP Super-E Vertical Pump Motor, Severe Duty - Normal Thrust
FLT	Filter Kit	VHM Vertical Pump Motor - Normal Thrust, Three Phase
FM	F-2 Mounted Motor	VLCP Vertical Pump Motor, Severe Duty - Medium Thrust
FP	Fire Pump Motor	VP PM SCR Drive Motor with Metric Flange or C-Face
FVB	Blower Kit	VPCP Vertical Pump Motor, Severe Duty - High Thrust
FWDM	Washdown Duty Motor, TEFC, Three Phase	WC West Coast Fit TCZ
GD	Grain Dryer Centrifugal Fan Motor	WD Washdown Duty Motor
GSL	Grain Stirring Motor, Single Phase	WDBM Washdown Brake Motor, Three Phase
HFM	HVAC Duty, F-2 Mounted Connection Box, Three Phase	YPC Yoke Pedestal Fan Motor, Permanent Split Capacitor
HIC	Incubator/Hatchery Vent Fan Motor, Permanent Split Capacitor	ZDBRPM RPMAC Vector Drive Motor - Laminated Frame, TEBC
HM	HVAC Duty Motor, Three Phase	ZDFRPM RPMAC Vector Drive Motor - Laminated Frame, TEFC
HPM	Hydraulic Pump Motor, Three Phase	ZDM Vector Drive Motor, TEBC
IDBRPM	RPMAC Inverter Drive Motor - Laminated Frame, TEBC	ZDNM Vector Drive Motor, TENV
IDCSWDM	Inverter Drive Motor, Paint Free Washdown, C-Face with Base	ZDNRPM RPMAC Vector Drive Motor - Laminated Frame, TENV
IDDRPM	RPMAC Inverter Drive Motor - Laminated Frame, DPG-FV	ZDPM RPMAC Permanent Magnet Rotor - Laminated Frame
IDFRPM	RPMAC Inverter Drive Motor - Laminated Frame, TEFC	ZDVSCP VS Master Severe Duty Vector Drive Motor
IDM	Inverter Drive Motor, TEBC	ZDVSM VS Master Vector Drive Motor
IDNM	Inverter Drive Motor, TENV	ZDVSNCP VS Master Severe Duty Vector Drive Motor, TENV
IDNRPM	RPMAC Inverter Drive Motor - Laminated Frame, TENV	ZDVSNM VS Master Vector Drive Motor, TENV
IDVSM	VS Master Inverter Drive Motor	ZDWNM Washdown Vector Drive Motor, TENV
IDVSNM	VS Master Inverter Drive Motor, TENV	ZDVSNM VS Master Vector Drive Motor, TENV
IDVSWDM	Inverter Drive Motor, Paint Free Washdown, C-Face Less Base	ZDWNM Washdown Vector Drive Motor, TENV

General Information

Single Phase Motors

General Purpose Industrial Motors

Severe Duty Motors

Large AC Motors

Washdown Duty Motors

Explosion Proof Motors

Pump Motors

HVAC Motors

Farm Duty Motors

Gearing Prefix

BK	Single Phase Gearmotor Kit
G	Subfractional Hp Gear Motor
DR	Double Reduction Adapter Kit
GC	Subfractional Hp Gear Motor Permanent Split Capacitor and Split Phase
GCP	Parallel Shaft Subfractional Hp Gear Motor Permanent Split Capacitor and Split Phase
GF	900 Series Reducers
GHF	900 Series Hollow Shaft Reducers
GHH	H50 Hollow Shaft Reducers
GHL	Hollow Shaft Subfractional Hp Gear Motor Capacitor Start Induction Run and Capacitor Start Capacitor Run
GHM	Hollow Shaft Subfractional Hp Gear Motor Three Phase
GIF	Inline Helical Reducers
GLF	900 Series Flanged Coupling Reducers
GLP	Subfractional Hp Gear Motor Capacitor Start Induction Run and Capacitor Start Capacitor Run
GM	Subfractional Hp Gear Motor Three Phase
GMP	Parallel Shaft Subfractional Hp Gear Motor Three Phase
GP	PM Subfractional Hp Gear Motor
GPP	PM Parallel Shaft Subfractional Hp Gear Motor
GS	900 Series Solid Shaft Reducers
GSF	Universal Series Right Angle Gear Reducers
IDGM	Inverter Drive Subfractional Hp Gear Motor
IDGMP	Inverter Drive Parallel Shaft Subfractional Hp Gear Motor
SSGF	Stainless Steel 900 Series Flanged Quill Reducers
SSGHF	Stainless Steel 900 Series Hollow Shaft Reducers
WDGF	Washdown 900 Series Flanged Quill Reducers
TA	Torque Arm

Kits & Accessories Prefix

BLW	Blower Kit
BU	Bushing Kit
CBL	Cable Assembly
CC	Corrective Capacitor Bank
EN	Encoder Kit
FCD	Drip Cover Kit
FFC	Fan Cover/Conduit Box Kit
FL	Flange Kit
RBT	Roller Bearing Conversion Kit
RES	Resolver Feedback Kit
TK	Tachometer Mounting Kit

Motors Suffix

/35	Full 140 Frame Band Diameter
/36	Full 180 Frame Band Diameter
-2	120/240V Field
-2/4	200/400 Volt Winding
-4	460 Volt Winding
-5	575 Volt Winding
-8	200 Volt Winding
-9	NEMA Design C High Torque Winding
-12	12 Leads
-50	Wound for 50 Hertz Service
-57	230/380-415 Volt Winding
-58	380-415 Volt Y-Start/Delta-Run
-277	277 Volt Winding
-2340	2300/4000 Volt Winding
-AP	Aluminum Process Performance
-PP	Cast Iron Process Performance
-BG	Baldor Shaft Ground Motor
-BV	Blower Vented
-C	Listing includes Class I, Group C
-CI	Cast Iron Frame
-D	Dodge D-Series Brake
-EX1	Ex nA
-EX2	Ex d
-EX3	Ex de

-G	Aegis Shaft Ground Motor
-I	Explosion-Proof, 1.15 Service Factor
-NL	Non Linear - For VFD use
-P	Partial AC Motor Excludes Pulley Endplate
-S	Dodge Short-Series Brake
-TP	Refrigerator Fan Motor
A	Automatic Thermal Overload
C	IEC Frame B14 Face Mount
D	IEC Frame B5 Flange Mount
E	New electrical design
L	Long shafted motor with Ball bearings that may be converted to have D.E. Roller bearing.
LR	Long shafted motor with D.E. Roller bearing that may be converted to Ball bearings.
M	Manual Thermal Overload
P	Wound Field DC Motor NEMA "AT" Frame
S	Motor has a short shaft for coupled loads
T	NEMA "T" Frame Dimensions
TP	Feather Picker Motor
TR	NEMA "T" Frame - Roller Bearing
TS	NEMA "T" Frame - Short Shaft
Y	Special Mounting Dimension

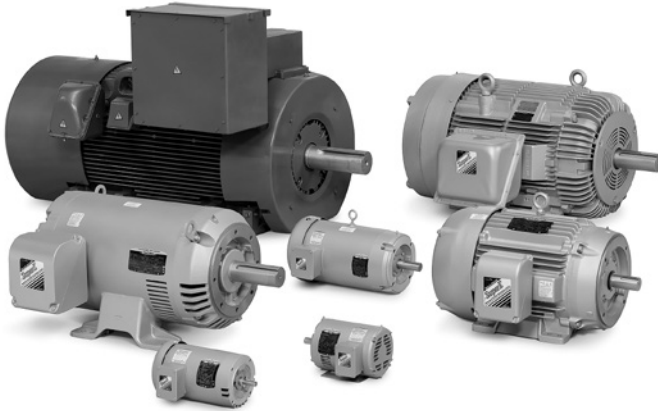
Gearing Suffix

900 Series	
A	56C Motor Flange
B	140TC Motor Flange
C	180TC Motor Flange
G	Left Hand Output Shaft
H	Double End Output Shaft
J	Right Hand Output Shaft
Universal Series	
A	56C or Right Hand Output Shaft
B	140TC Motor Flange
C	180TC Motor Flange

Grinders Suffix

D	Deluxe
E	Exhaust Guards
W	Wide Design

Single phase and three phase general purpose motors are designed to meet or exceed the energy efficiency requirements of the United States, Canada and Mexico for general purpose industrial motors, while delivering high starting torque, overload capability and superior reliability. The extensive line of General Purpose motors are available in a wide variety of enclosure construction from industrial steel band open designs where water and dust exposure is moderate, to totally enclosed cast iron designs where exposure to water, dust and corrosives exists. The Super-E® Motors provide NEMA Premium efficiency and are Inverter ready with wide variable torque speed ranges as standard. For motors with features outside the capabilities below, please contact your Baldor•Reliance sales representative.



Key Features:

- Baldor•Reliance motors meet or exceed all efficiency requirements for US, Canada and Mexico regulations
- Suitable for Inverter use per NEMA MG1 Part 31.4.4.2
- Designed for longevity with a 3 year warranty on premium efficient Super-E® Motors

1/12 - 1500 Horsepower

General Purpose Product Line		Totally Enclosed (Single Phase)	Open (Single Phase)	Totally Enclosed (Three Phase)	Open (Three Phase)
NEMA Frame	Frame size range for stock products	42-250T	48-210T	42-500	48-449T
Hp	Horse Power NEMA	1/12 - 15	1/6 - 10	1/8 - 400	1/4 - 450
	Horse Power Large AC	-	-	350 - 1500	-
Voltage 60 Hz	115/208-230 or 115/230 Volts	S	S	-	-
	200 Volts	-	-	S	S
	230/460 Volts	-	-	S	S
	460 Volts	-	-	S	S
	575 Volts	-	-	S	S
	2300/4000 Volts	-	-	S	A
Speed	Speed (60 Hz)	3600, 1800 or 1200 RPM	3600, 1800 or 1200 RPM	3600, 1800, 1200 or 900 RPM	3600, 1800, 1200 or 900 RPM
Electrical Features					
Efficiency	Baldor•Reliance motors meet or exceed all efficiency requirements for US, Canada and Mexico regulations	S	S	S	S
Torque	NEMA Design B Torques (most ratings)	S	S	S	S
Service Factor & Temp. Rise	1.15 Service Factor – Continuous (most ratings) Class F insulation with Class B rise @ 1.0 Service Factor	S	S	S	S
Inverter Ready	Super E® – meets NEMA MG1 Part 31.4.4.2	-	-	S	S
Electrical Connection	6 Lead Dual Voltage Connection	S	S	-	-
	9 Lead Dual Voltage Connection	-	-	S	S
	12 Lead Wye Delta connection	-	-	S	S
Mechanical Features					
IP Code	IP22 Ingress Protection	-	S	-	S
	IP44 Ingress Protection	S	-	S	-
	IP54 Ingress Protection	A	-	A	-
Frame	Heavy Gauge Steel Frame	S	S	S	S
	Cast Iron frame	A	-	S	A
	Lifting provisions positioned for easy handling in the application (motors over 70 Lbs)	S	S	S	S
Bearings	High performance Ball Bearings designs	S	S	S	S
	Roller Bearing Design -TR suffix	-	-	S	A
Lubrication	Super-premium Mobil Polyrex™ EM Series Grease	S	S	S	S
	Cast Aluminum	S	S	S	S
Conduit Box	Gasketed Cast Aluminum	S	-	S	A
	Gasketed Cast Iron frame	-	-	S	A
	Laser etched nameplate with highly legible font	S	S	S	S
Nameplate	50 Hz Stamping (2, 4, 6 Pole 1-125 Hp) on Super E® Motors	A	A	S	A
	Other Key Features				
Warranty	Warranty - in number of months from manufacture (NEMA Premium Super E®)	36	36	36	36
	Warranty - in number of months from manufacture	18	18	18	18

S = Standard A = Available through Mod Express or as custom

For more information visit baldor.com

General Information

Single Phase Motors

General Purpose Industrial Motors

Severe Duty Motors

Large AC Motors

Washdown Duty Motors

Explosion Proof Motors

Pump Motors

HVAC Motors

Farm Duty Motors

Single Phase, TEFC, Foot Mounted

1/12 thru 15 Hp



Features:

- Low noise vibration dampening base
- Dynamically balanced rotor to increase bearing life
- Superior switch design provides optimized torque profiles
- Robust heavy gauge steel design

Applications:

- Air Handling
- Material Handling
- Machine Tools
- Conveyors
- Pumps
- Fans

Hp	RPM	NEMA Frame	Catalog Number	List Price	Mult. Sym.	"C" Dim.	Aprx. Wt. (lb)	Full Load Efficiency	Voltage	Full Load Amps	Notes (a)
1/12	1800	42	L3351	296	K	9.56	15	44	115/230	1	3, 30
	3600	42	L3352	303	K	9.56	15	45	115/230	1.3	3, 30
1/8	1800	42	L3353	308	K	9.56	16	47	115/230	1.6	3, 30
	3600	42	L3354	318	K	9.56	16	52	115/230	1.6	3, 30
1/6	1800	42	L3355	336	K	9.56	18	51	115/230	1.8	3, 30
		48	L3400	335	K	10.72	18	49	115/230	1.9	3, 30
	1200	48	L3401	472	K	10.72	23	47	115/230	2.3	3, 30
		3600	42	L3356	340	K	9.56	18	57	115/230	2
1/4	1800	48	EL3403	420	K	11.35	24	74	115/230	1.3	1, 13, 65
		48	L3403	344	K	10.72	20	55	115/230	2.5	3, 30
		48	L3403M	394	K	10.72	11	55	115/230	2.5	3, 30
	1200	48	L3404	503	K	11.34	25	48	115/230	3.2	3, 30
		56	L3500	528	K	12.25	30	52.5	115/230	2.6	3, 30
1/3	3600	48	EL3405	402	K	11.35	27	72	115/208-230	1.6	1, 13, 65
		48	L3405	313	K	10.72	21	55	115/208-230	3	3
	1800	48	L3406	365	K	10.72	22	60	115/230	3	3, 30
		48	L3406M	414	K	10.72	22	60	115/230	3	3, 30
		56	EL3501	464	K	11.97	27	77	115/230	1.6	1, 13, 65
		56	L3501	353	K	11.34	22	60	115/230	3	3, 30
		56	L3501M	414	K	11.34	22	60	115/230	3	3, 30
		48	L3407	553	K	11.34	27	54	115/230	3.7	3, 30
	1200	56	L3502	553	K	11.97	28	54	115/230	3.7	3, 30
		48	L3408	354	K	10.73	22	66	115/230	3.5	3, 30
1/2	3600	56	EL3503	455	K	11.97	23	68	115/230	2.5	12, 65
		56	L3503	354	K	11.35	23	66	115/230	3.5	3, 30
		48	L3409	405	K	11.34	26	68	115/230	3.7	3, 30
	1800	48	L3409M	487	K	11.34	26	68	115/230	3.7	3, 30
		56	EL3504	547	K	11.97	30	78.5	115/230	2.3	1, 12, 65
		56	L3504	414	K	11.35	27	68	115/230	3.7	3, 30
		56	L3504A	495	K	11.97	27	68	115/230	3.7	3, 30
		56	L3504M	487	K	11.97	27	68	115/230	3.7	3, 30
		1200	56/56H	L3505	784	K	12.91	43	62.5	115/230	3.9
3/4	3600	56	EL3506	512	K	11.97	29	72	115/230	3.9	12, 65
		56	L3506	399	K	11.97	28	66	115/230	4.8	3, 30
	1800	56	EL3507	666	K	13.25	44	82.5	115/208-230	3.2	1, 12, 65
		56	L3507	477	K	12.47	33	72	115/230	4.2	30, 65
		56	L3507A	598	K	12.47	35	74	115/230	4.1	30, 65
		56	L3507M	572	K	12.47	33	74	115/230	4.1	30, 65
		56/56H	L3508	907	K	12.93	44	73.5	115/230	3.9	2, 30, 36, 65
143T	L3508T	893	L1	13.29	46	73.5	115/230	3.9	2, 30, 65		

(a) See notes on inside back flap.

Single Phase, TEFC, Foot Mounted

Hp	RPM	NEMA Frame	Catalog Number	List Price	Mult. Sym.	"C" Dim.	Aprx. Wt. (lb)	Full Load Efficiency	Voltage	Full Load Amps	Notes (a)
1	3600	56/56H	EL3509	591	K	12.93	38	74	115/208-230	4.7	12, 65
		56/56H	L3509	462	K	12.93	37	68	115/230	5.9	3, 30, 36
		56/56H	L3509M	522	K	12.93	40	66	115/230	6	3, 36
	1800	56/56H	L3510A	672	K	12.91	40	67	115/230	6.5	3, 30, 36
		56/56H	L3510M	649	K	12.93	38	67	115/230	6.5	3, 30, 36
		56/56H	EL3510	765	K	13.81	45	82.5	115/230	4.3	1, 36, 65
		56/56H	L3510	541	K	12.93	41	68	115/230	6.4	3, 30, 36
		143T	L3510T	552	L1	13.29	39	68	115/230	6.4	3, 30
	143T	L3510TM	649	L1	13.31	40	67	115/230	6.5	3, 30	
1 1/2	3600	56/56H	L3513	619	K	12.93	41	70	115/230	8	3, 30, 36
		56/56H	L3513M	708	K	12.91	46	70	115/230	7.5	2, 3, 36
		143T	L3513T	607	L1	13.31	43	70	115/230	8	3, 30
	1800	56/56H	L3514	625	K	13.81	49	80	115/230	6.2	30, 36, 65
		56/56H	L3514A	797	K	13.81	48	75.5	115/230	8	2, 36, 65
		56/56H	L3514M	733	K	13.81	51	75.5	115/208-230	8	2, 36, 65
		56/56H	EL3514	871	K	15.18	58	84	115/230	6.3	1, 36, 65
		145T	EL3514T	871	L1	15.55	58	84	115/230	6.3	1, 65
		145T	L3514T	634	L1	13.30	44	78.5	115/208-230	7	65
		145T	L3514TM	733	L1	14.17	49	75.5	115/208-230	8	2, 65
	1200	184T	L3613T	1,657	L1	16.56	77	73	115/230	8.2	1, 30, 65
2	3600	56/56H	L3515	790	K	13.79	52	74	115/230	11.5	1, 3, 30, 36
		56/56H	L3515M	827	K	13.79	52	74	115/230	11.5	2, 3, 36
		145T	L3515T	797	L1	14.19	52	74	115/230	11.5	1, 3, 30
		145T	EL3515T	1,022	L1	14.18	65	77	115/208-230	8.3	1, 65
	1800	56HZ	L3516TM	1,043	K	13.31	46	82.5	208-230	8.1	1, 57
		145T	L3516T	1,013	L1	14.17	51	78.5	115/230	8.8	1, 65
		182T	L3605T	905	L1	16.56	68	75.5	115/230	11.5	3, 30
		182T	L3605TM	1,104	L1	16.56	73	75	115/230	11	2, 3
		182T	EL3605T	1,191	L1	16.56	66	82.5	115/230	8.8	1, 65
3	3600	182T	EL3606T	1,112	L1	16.56	79	82	115/230	12.4	2, 65
		182T	L3606T	934	L1	16.56	74	76	115/230	14.5	1, 3, 30
	1800	184T	EL3609T	1,390	L1	18.06	89	85.5	230	11.8	1, 65
		184T	L3609T	1,065	L1	16.56	80	78	115/230	14	2, 20, 30, 65
5	3600	184T	L3609TM	1,152	L1	16.54	79	78	115/230	14.5	2, 20
		184T	EL3608T	1,533	L1	18.06	91	85	230	19.4	2, 20, 65
		184T	L3608T	1,285	L1	18.06	88	83	230	19.5	2, 20, 65
	1800	184T	L3608TM	1,326	L1	18.05	89	83	230	19.5	2, 20
		184T	EL3612T	1,658	L1	18.06	97	86.5	230	19.1	2, 20, 65
		184T	L3612TM	1,339	L1	18.05	100	80	230	23	2, 20
		213T	L3708T	1,271	L1	19.02	116	84	230	20.5	1, 30, 65
213T	L3708TM	1,493	L1	19.02	135	82	230	21.5	2, 65		
7 1/2	3600	213T	L3709T	1,655	L1	17.89	123	83	230	33	2, 30, 65
	1800	215T	L3710T	1,679	L1	19.02	134	86.5	230	29	2, 20, 30, 65
10	3600	215T	L3711T	2,029	L1	19.02	148	82	230	40	2, 20, 65
	1800	215T	L3712T	2,060	L1	20.52	158	86.5	230	38	2, 20, 65
15	1800	254T	L1177T	5,867	L1	23.28	323	86.5	230	60	2, 20, 65
		256T	L3912T	5,269	L1	24.56	303	86.5	208-230	58	

(a) See notes on inside back flap.

■ Cast Iron Frame

General Information

Single Phase Motors

General Purpose Industrial Motors

Severe Duty Motors

Large AC Motors

Washdown Duty Motors

Explosion Proof Motors

Pump Motors

HVAC Motors

Farm Duty Motors

Single Phase, TEFC, C-Face

1/6 thru 10 Hp



Features:

- Locked DE bearing to allow mounting in any configuration
- Low noise vibration dampening base
- Dynamically balanced rotor to increase bearing life
- Superior switch design provides optimized torque profiles
- Robust heavy gauge steel design

Applications:

- Gear Reducers
- Material Handling
- Machine Tools
- Conveyors
- Pumps
- Fans

Hp	RPM	NEMA Frame	Catalog Number	List Price	Mult. Sym.	"C" Dim.	Aprx. Wt. (lb)	Full Load Efficiency	Voltage	Full Load Amps	Notes (a)
C-Face, Foot Mounted											
1/4	1800	56C	CL3403	363	K	11.35	20	55	115/230	2.5	3
1/3	3600	56C	CL3405	362	K	11.35	21	55	115/208-230	3	3
	1800	56C	CL3501	379	K	11.35	23	60	115/230	3	3, 30
1/2	3600	56C	CL3503	380	K	11.35	23	66	115/230	3.5	3, 30
	1800	56C	CL3504	443	K	11.35	28	68	115/230	3.7	3, 30
3/4	3600	56C	CL3506	423	K	11.97	29	66	115/230	4.8	3, 30
	1800	56C	CL3507	529	K	12.47	34	72	115/230	4.2	30, 65
1	3600	56C	CL3509	489	K	12.25	36	68	115/230	5.9	3, 30
	1800	56C	CL3510	597	K	13.25	40	68	115/230	6.4	3, 30
1 1/2	3600	56C	CL3513	633	K	13.25	46	70	115/230	7.5	3, 30
	1800	56C	CL3514	708	K	14.12	51	80	115/230	6.2	30, 65
2	3600	56C	CL3515	816	K	14.12	50	74	115/230	11.5	1, 3, 30
		145TC	CL3515T	823	L1	14.19	53	74	115/230	11.5	1, 3, 30
3	1800	145TC	CL3516TM	1,052	L1	14.16	53	82.5	208-230	7.9	1
		184TC	CL3619TM	1,368	L1	16.54	81	81.5	230	13.2	2, 20
5	3600	184TC	CL3608TM	1,482	L1	18.05	92	83	230	19.5	2, 20
		1800	184TC	CL3612TM	1,434	L1	18.05	102	80	230	23
10	3600	215TC	CL3711T	2,409	L1	19.75	167	82	230	40	2, 20
		1800	215TC	CL3712T	2,438	L1	21.25	171	86.5	230	38
C-Face, Footless											
1/6	1800	56C	KL3400	353	K	11.35	19	49	115/230	1.9	3, 30
	1200	56C	KL3401	494	K	11.35	24	47	115/230	2.3	3, 30
1/4	1800	56C	KL3403	363	K	11.35	20	55	115/230	2.5	3, 30
1/3	3600	56C	KL3405	335	K	11.35	24	55	115/208-230	3	3
	1800	56C	VL3501	372	K	11.35	22	60	115/230	3	3, 30
1/2	3600	56C	VL3503	376	K	11.35	23	66	115/230	3.5	3, 30
	1800	56C	VL3504	435	K	11.35	27	68	110/220	3.7	3, 30
3/4	1200	56C	VL3505	805	K	13.25	43	62.5	115/230	3.9	3, 30
		56C	VL3506	418	K	11.97	29	66	115/230	4.8	3, 30
	3600	56C	VL3506A	462	K	11.97	28	66	115/230	4.8	3
		1800	56C	VL3507	498	K	12.47	33	72	115/230	4.2
1	3600	56C	VL3508	926	K	13.25	44	73.5	115/230	3.9	2, 30, 65
		56C	VL3509	481	K	12.25	36	68	115/230	5.9	3, 30
1 1/2	1800	56C	VL3509A	526	K	13.25	41	66	110/220	6	3
		143TC	VL3510T	571	L1	13.25	40	68	115/230	6.4	3, 30
3	3600	56C	VL3510	571	K	13.25	40	68	115/230	6.4	3, 30
		143TC	VL3513T	626	K	13.25	40	70	115/230	8	3, 30
2	1800	56C	VL3513	626	K	13.25	40	70	115/230	8	3, 30
		143TC	VL3513T	665	L1	13.31	41	70	115/230	8	3, 30
1 1/2	3600	56C	VL3514	647	K	14.12	48	80	115/230	6.2	30, 65
		145TC	VL3514T	654	L1	14.17	50	80	115/230	6.2	30, 65
2	3600	56C	VL3515	801	K	14.12	50	74	115/230	11.5	1, 3, 30
		145TC	VL3515T	816	L1	14.19	51	74	115/230	11.5	1, 3, 30
3	1800	182TC	VL3605T	1,157	L1	16.55	66	75.5	115/230	11.5	3, 30
		182TC	VL3606T	1,291	L1	16.55	73	76	115/230	14.5	1, 3, 30
3	1800	184TC	VL3606T	1,291	L1	16.55	73	76	115/230	14.5	1, 3, 30
		184TC	VL3609T	1,366	L1	16.55	79	78	115/230	14	2, 20, 30, 65

(a) See notes on inside back flap..

Single Phase, ODP, Foot Mounted

1/6 thru 10 Hp



Features:

- Low noise vibration dampening base
- Dynamically balanced rotor to increase bearing life
- Superior switch design provides optimized torque profiles
- Robust heavy gauge steel design
- Optimized airflow design providing higher horse power in a smaller package

Applications:

- Air Handling
- Material Handling
- Machine Tools
- Conveyors
- Pumps
- Fans

Hp	RPM	NEMA Frame	Catalog Number	List Price	Mult. Sym.	"C" Dim.	Aprx. Wt. (lb)	Full Load Efficiency	Voltage	Full Load Amps	Notes (a)
1/6	1800	48	L1200	279	K	9.13	18	49	115/230	1.9	30
	1200	48	L1201	427	K	9.38	23	47	115/230	2.3	30
1/4	1800	48	EL11203	383	K	9.76	19	68.5	115/230	1.3	15
		48	L1203M	326	K	9.13	20	55	115/230	2.5	30, 96
	1200	48	EL11204	456	K	9.76	25	64	115/230	1.5	15
		56H	EL11300	475	K	10.13	25	64	115/230	1.5	15
1/3	3600	48	EL11205	404	K	9.76	24	70.5	115/230	1.5	15
		48	EL11206	412	K	9.76	27	72.4	115/230	1.7	15
		48	L1206M	367	K	9.13	22	60	115/230	3	30, 96
		56H	EL11301	412	K	10.13	27	72.4	115/230	1.7	15
	1200	48	L1301M	386	K	9.51	22	60	115/230	3	30, 96
		56H	EL11207	487	K	9.76	27	68	115/230	1.9	15
1/2	3600	48	EL11208	430	K	9.76	24	72.4	115/230	2.5	15
		56H	EL11303	430	K	10.13	24	72.4	115/230	2.5	15
	1800	48	EL11209	462	K	10.63	32	76.2	115/230	2.4	15
		48	L1209M	455	K	9.38	24	62	115/230	4.2	30, 96
		56H	EL11304	462	K	11.00	32	76.2	115/230	2.4	15
		56H	L1304A	434	K	9.76	24	62	115/230	4.2	30, 96
	1200	56H	L1304M	455	K	9.76	24	62	115/230	4.2	30, 96
		56H	EL11305	732	K	11.75	46	76.2	115/230	2.2	15
3/4	3600	56H	EL11306	450	K	11.00	39	76.2	115/230	3.3	15
		56H	L1306A	380	K	11.75	28	69	115/230	5.5	96
	1800	56H	EL11307	550	K	12.07	39	81.8	115/230	3.5	15
		56H	L1307A	528	K	11.51	32	68	115/230	5.1	30, 96
	1200	56H	L1307M	541	K	11.51	32	68	115/230	5.1	30, 96
		56H	EL11308	824	K	12.62	47	80.2	115/230	3.1	15
1	3600	56H	EL11309	528	K	12.07	43	82	115/230	3.9	15
		56H	L1309A	404	K	11.01	31	70	115/230	6.6	96
	1800	56H	L1310M	629	K	11.75	36	66	115/230	6.7	30, 36, 96
		56H	EL11318	634	K	11.75	44	82.6	115/230	4.2	15
		56H	EL11318M	658	K	11.75	44	82.6	115/230	4.5	15
		143T	L1318T	561	L1	12.12	43	67	115/230	6.2	30
1 1/2	3600	143T	L1318TM	586	L1	12.12	42	67	115/230	6.2	2
		56H	EL11313	600	K	12.62	52	82	115/230	5.9	15
		56H	EL11313A	625	K	12.62	52	82	115/230	5.9	15
	1800	143T	L1313T	532	L1	11.12	36	70	115/230	8.9	30
		56H	EL11319	755	K	14.00	59	83.8	115/230	6.2	15
		56H	L1319M	707	K	11.75	43	68	115/230	9	36, 96
		145T	EL1319T	839	L1	13.00	50	85.5	115/208-230	6.3	1, 65
		145T	L1319T	599	L1	12.12	42	68	115/230	9	30
145T	L1321T	719	L1	13.00	49	70	115/230	10.5	30		
145T	L1321TM	780	L1	13.00	48	70	115/208-230	10.5			

(a) See notes on inside back flap.

Red Catalog Number indicates **NEW** Product.

Single Phase, ODP, Foot Mounted

Hp	RPM	NEMA Frame	Catalog Number	List Price	Mult. Sym.	"C" Dim.	Aprx. Wt. (lb)	Full Load Efficiency	Voltage	Full Load Amps	Notes (a)
2	3600	56H	EL11317	663	K	14.00	66	82.9	115/230	7.8	15
		56H	EL11317A	688	K	14.00	66	82.9	115/230	7.8	15
		145T	L1320T	758	L1	12.12	46	71	115/230	11.5	30, 65
	1800	145T	L1322T	733	L1	13.00	49	75.5	115/208-230	10.2	65
		145T	L1322TM	798	L1	13.00	45	78.5	115/230	9.2	65
		182T	EL1405T	1,014	L1	15.87	65	82.5	115/230	8.8	1, 65
		182T	L1405T	752	L1	15.00	66	71	115/230	12	30
3	3600	182T	EL1406T	1,068	L1	15.00	70	81	115/230	12.3	65
		182T	L1406T	862	L1	15.00	65	78	115/230	14	30
	1800	184T	EL1408T	1,062	L1	16.50	81	85.5	208-230	11.2	1, 65
		184T	L1408T	814	L1	15.00	76	78	115/230	16	30, 65
		184T	L1408TM	958	L1	15.00	74	78	115/230	16	
5	3600	184T	EL1409T	1,268	L1	15.00	79	81.5	230	20	65
		184T	L1409T	1,026	L1	15.00	79	75	230	23	30
	1800	184T	EL1410T	1,213	L1	18.00	97	86.5	230	19.1	1, 65
		184T	L1410T	962	LS	16.50	81	82.5	230	23	1, 30, 65
		184T	L1410TM	1,165	L1	16.50	85	82.5	230	23	1, 30
		184T	L1430T	883	L1	16.55	78	84	230	20.6	1, 30, 65
		184T	L1430TM	1,165	L1	16.55	82	80	230	24	1, 30, 65
		213T	L1508T	1,271	L1	16.32	108	77	230	27	
7 1/2	3600	213T	L1509T	1,585	L1	18.37	94	82.5	230	30	1, 30, 65
	1800	215T	L1510T	1,379	L1	17.45	134	85.5	230	31	30, 65
10	3600	215T	L1511T	1,999	L1	17.45	131	83	230	46	1, 30
	1800	215T	L1512T	2,013	L1	17.45	132	85.5	230	39	2, 65

(a) See notes on inside back flap.
Red Catalog Number indicates **NEW** Product.

General Information

Single Phase Motors

General Purpose Industrial Motors

Severe Duty Motors

Large AC Motors

Washdown Duty Motors

Explosion Proof Motors

Pump Motors

HVAC Motors

Farm Duty Motors

Single Phase, ODP, C-Face

1/6 thru 5 Hp



Features:

- Locked DE bearing to allow mounting in any configuration
- Low noise vibration dampening base
- Dynamically balanced rotor to increase bearing life
- Superior switch design provides optimized torque profiles
- Robust heavy gauge steel design
- Optimized airflow design providing higher horse power in a smaller package

Applications:

- Gear Reducers
- Material Handling
- Machine Tools
- Conveyors
- Pumps
- Fans

Hp	RPM	NEMA Frame	Catalog Number	List Price	Mult. Sym.	"C" Dim.	Aprx. Wt. (lb)	Full Load Efficiency	Voltage	Full Load Amps	Notes (a)
C-Face, Foot Mounted											
1/3	1800	56C	CEL11301	440	K	10.74	27	72.4	115/230	1.7	15
1/2	3600	56C	CEL11303	458	K	10.74	24	72.4	115/230	2.5	15
	1800	56C	CEL11304	490	K	11.62	32	76.2	115/230	2.4	15
3/4	1800	56C	CEL11307	578	K	12.06	39	81.8	115/230	3.5	15
1	1800	56C	CEL11310	662	K	12.06	44	82.6	115/230	4.2	15
3	1800	184TC	CL1408TM	1012	L1	14.99	80	78	115/230	16	
5	1800	184TC	CL1410TM	1220	L1	16.49	88	82.5	230	23	1, 30
C-Face, Footless, Drip Cover											
1/6	1800	56C	KL1200	299	K	11.22	19	49	115/230	1.9	30
1/4	1800	56C	KEL11203	411	K	11.85	22	68.5	115/230	1.3	15
1/3	3600	56C	KEL11205	432	K	11.85	24	70.5	115/230	1.5	15
		56C	KL1205A	296	K	11.35	21	55	115/230	3	30, 96
		56C	VL1205A	293	K	11.32	23	54	115/230	3.5	
		56C	VEL11301	440	K	11.85	27	72.4	115/230	1.7	15
1/2	1800	56C	VL1301A	352	K	11.32	22	60	115/230	3	30, 96
		56C	VEL11303	458	K	11.85	24	72.4	115/230	2.5	15
		56C	VL1303A	337	K	12.00	26	66	115/230	3.7	
		56C	VEL11304	490	K	12.73	32	76.2	115/230	2.4	15
		56C	VL1304A	420	K	11.57	25	62	115/230	4.2	30, 96
		56C	VEL11305	760	K	13.24	42	76.2	115/230	2.2	15
3/4	3600	56C	VEL11306	478	K	14.04	39	76.2	115/230	3.3	15
		56C	VL1306A	401	K	12.88	30	69	115/230	5.5	
		56C	VEL11307	578	K	13.22	44	81.8	115/230	3.5	15
		56C	VL1307A	548	K	11.75	34	63	115/230	5.4	96
		56C	VEL11308	852	K	14.12	47	80.2	115/230	3.1	15
		56C	VEL11309	556	K	12.06	43	82	115/230	3.9	15
1	1800	56C	VL1309A	423	K	13.40	32	65	115/208-230	7	30
		56C	VEL11318	662	K	13.24	44	82.6	115/230	4.2	15
		56C	VL1318A	581	K	12.75	41	67	115/230	6.2	96
1 1/2	3600	56C	VEL11313	628	K	14.10	52	82	115/230	5.9	15, 30
		56C	VL1313A	578	K	13.01	35	78.5	115/230	6.5	
		56C	VEL11319	783	K	15.50	59	83.8	115/230	6.2	15
		145TC	VL1321T	740	L1	14.17	48	70	115/230	10.5	30
2	3600	56C	VEL11317	691	K	15.47	66	82.9	115/230	7.8	15
		56C	VL1317A	748	K	12.75	44	70	115/230	13	30
		145TC	VL1322T	754	L1	14.18	49	75.5	115/230	10.2	65
3	3600	182TC	VL1406T	916	L1	15.18	61	75.5	115/230	13.6	30, 65
	1800	184TC	VL1408T	927	L1	16.55	78	78	115/230	16	30, 65

(a) See notes on inside back flap.

Red Catalog Number indicates **NEW** Product.

Three Phase, Totally Enclosed, Foot Mounted

1/8 thru 1,500 Hp



Features:

- 60 Hz designs with 50 Hz information on 2,4,6 Pole 1-125 Hp ratings
- Suitable for Inverter use per NEMA MG1 Part 31.4.4.2
- Simple F1 to F2 conversion on cast iron frames
- Designed for longevity with a 3 year warranty on premium efficient Super-E® Motors

Applications:

- Fans
- Pumps
- Blowers
- Conveyors
- Compressors
- Industrial Machines
- Other General Purpose Applications

Hp	RPM	NEMA Frame	Enclosure	Catalog Number	List Price	Mult. Sym.	"C" Dim.	Aprx. Wt. (lb)	Full Load Efficiency	Voltage	Full Load Amps	Notes (a)	
230/460 Volts													
1/8	1800	42	TEFC	M3353	376	K	9.56	16	44	230/460	0.5	30	
1/6	1800	42	TEFC	M3355	426	K	9.56	17	62	230/460	0.6	30, 13	
	1200	48	TEFC	M3452	439	K	10.73	17	57.5	230/460	0.6	30, 13	
1/4	1800	48	TEFC	M3454	311	K	10.73	19	64	230/460	0.7	30, 13	
		48	TENV	NM3454	326	K	9.62	20	68	230/460	0.5	1, 30, 13	
		56	TENV	NM3454/35	524	K	11.06	28	80	230/460	0.4	1, 30, 48	
	1200	48	TEFC	M3455	489	K	10.73	18	68	230/460	0.7	30, 13	
		48	TENV	NM3455	450	K	9.62	19	68	230/460	0.7	30	
		56	TEFC	M3531	484	K	11.35	23	68	230/460	0.7	30, 13	
1/3	3600	56	TEFC	M3532	705	K	12.23	28	57.5	208-230/460	0.8	13	
		48	TENV	M3457	316	K	9.62	20	72	230/460	0.7	30, 13	
		48	TEFC	M3458	379	K	10.73	21	68	230/460	0.8	30, 13	
	1800	56	TEFC	M3534	340	LS	11.35	21	68	230/460	0.8	30, 13	
		56	TENV	NM3534	365	K	10.25	23	70	230/460	0.7	1, 30, 13	
		1200	56	TEFC	M3535	544	K	11.35	22	70	230/460	0.9	30, 13
900	56	TEFC	M3536	768	K	12.23	29	59.5	208-230/460	1	13		
1/2	3600	48	TEFC	M3460	366	K	10.73	19	68	230/460	1	30, 12	
		56	TEFC	M3537	366	K	11.35	19	68	230/460	1	30, 12	
		48	TEFC	M3461	444	K	10.73	22	74	230/460	1	30, 12	
	1800	56	TEFC	EM3538	660	LS	12.23	29	82.5	230/460	0.8	1, 30	
		56	TEFC	M3538	389	LS	11.35	23	74	230/460	1	30, 12	
		56	TEFC	M3538/35	501	K	12.23	25	72	208-230/460	1.1	1, 48	
		56	TENV	NM3538	423	K	10.88	25	75.5	230/460	0.9	1, 30, 12	
		56	TENV	NM3538/35	511	K	11.06	27	80	230/460	0.8	1, 30, 48	
		56	TEFC	M3539	586	K	11.35	24	72	230/460	1.2	30	
	1200	56	TENV	NM3539	644	K	12.06	40	78.5	230/460	1	30	
		900	56H	TEFC	M3560	862	K	12.91	38	70	208-230/460	1.3	36
		3600	48	TEFC	M3463	403	K	10.73	21	74	230/460	1.3	30, 12
56	TEFC		M3541	403	K	11.35	21	74	230/460	1.3	30, 12		
1800	48		TEFC	M3464	480	K	10.73	25	75.5	208-230/460	1.5	12	
	56		TEFC	M3542	416	LS	11.35	25	75.5	208-230/460	1.5	12	
	56		TENV	NM3542	455	K	11.06	29	78.5	230/460	1.4	1, 30, 12	
1200	56		TEFC	M3543	598	K	12.84	32	77	208-230/460	1.5		
	143T	TEFC	M3543T	598	L1	13.41	33	77	208-230/460	1.5			

(a) See notes on inside back flap.

Three Phase, Totally Enclosed, Foot Mounted

Hp	RPM	NEMA Frame	Enclosure	Catalog Number	List Price	Mult. Sym.	"C" Dim.	Aprx. Wt. (lb)	Full Load Efficiency	Voltage	Full Load Amps	Notes (a)	
1	3600	56	TEFC	EM3545	641	K	12.25	37	77	230/460	1.4	1, 12, 30	
		56	TEFC	M3545	472	K	11.35	23	75.5	230/460	1.8	12, 16, 30	
	1800	56	TEFC	EM3546	738	LS	12.23	35	85.5	230/460	1.5	1, 30	
		56	TEFC	M3546	433	LS	11.97	30	78.5	208-230/460	1.7	16	
		56	TEFC	M3546/35	523	K	12.23	24	82.5	208-230/460	1.6	1, 16, 48	
		56	TENV	NM3546	497	K	12.06	39	85.5	208-230/460	1.5	1, 16, 48	
		56	TENV	ENM3546	738	K	12.06	39	85.5	230/460	1.5	1, 30	
		143T	TEFC	EM3546T	738	LS	12.31	35	85.5	230/460	1.5	1, 30	
		143T	TEFC	EM3581T	913	L1	12.53	51	85.5	230/460	1.5	1, 30	
		143T	TENV	NM3546T	523	L1	11.13	34	82.5	208-230/460	1.5	1, 16	
	143T	TENV	ENM3546T	738	L1	12.12	39	85.5	230/460	1.5	1, 30		
	1200	56H	TEFC	M3556	608	K	12.91	37	78.5	208-230/460	1.9	16, 36	
		56	TEFC	EM3556	846	K	13.23	42	82.5	230/460	1.8	1, 30	
		145T	TEFC	EM3556T	846	L1	13.31	42	82.5	230/460	1.8	1, 30	
		145T	TEFC	EM3582T	1,023	L1	12.53	56	82.5	230/460	1.7	1, 30	
	900	182T	TEFC	M3617T	1,211	L1	15.17	62	74	208-230/460	2.2	16, 30	
182T		TEFC	EM3617T	1,393	L1	16.54	65	75.5	230/460	2.3	1, 30		
1 1/2	3600	56	TEFC	EM3550	726	K	12.25	35	84	230/460	1.9	1, 30	
		143T	TEFC	EM3550T	726	L1	12.31	36	84	230/460	1.9	1, 30	
		143T	TEFC	EM3583T	966	L1	12.53	52	84	230/460	1.9	1, 30	
	1800	56	TEFC	EM3554	820	LS	13.23	40	86.5	230/460	2.2	1, 30	
		56	TEFC	M3554	489	LS	12.23	35	81.5	208-230/460	2.3	16	
		145T	TEFC	EM3554T	820	LS	13.31	41	86.5	230/460	2.2	1, 30	
		145T	TEFC	EM3584T	947	L1	12.53	57	86.5	230/460	2.3	1, 30	
	145T	TENV	ENM3554T	820	L1	13.00	50	86.5	230/460	2.1	1, 30		
	1200	56H	TEFC	M3557	698	K	13.79	46	80	208-230/460	2.5	2, 16, 20, 36	
		182T	TEFC	EM3607T	989	L1	16.55	73	87.5	230/460	2.4	1, 30	
		182T	TEFC	EM3667T	1,217	L1	15.24	93	87.5	230/460	2.5	1, 30	
	900	184T	TEFC	M3618T	1,434	L1	18.04	88	77	208-230/460	2.8	2, 16, 20	
		184T	TEFC	EM3618T	1,650	L1	18.04	82	78.5	230/460	3	1, 30	
	2	3600	56	TEFC	EM3555	795	K	13.25	42	85.5	230/460	2.5	1, 30
			145T	TEFC	EM3555T	795	L1	13.29	43	85.5	230/460	2.5	1, 30
			145T	TEFC	EM3586T	1,014	L1	12.55	59	85.5	230/460	2.5	1, 30
1800		56H	TEFC	M3558	528	LS	12.91	40	82.5	208-230/460	3	16, 36	
		56	TEFC	EM3558	867	LS	13.23	46	86.5	230/460	2.9	1, 30	
		145T	TEFC	EM3558T	867	LS	13.31	45	86.5	230/460	2.9	1, 30	
		145T	TEFC	EM3587T	993	L1	12.53	58	86.5	230/460	2.9	1, 30	
1200		184T	TEFC	EM3614T	1,037	L1	18.05	93	88.5	230/460	3.5	1, 30	
		184T	TEFC	EM3664T	1,237	L1	15.24	109	88.5	230/460	3.2	1, 30	
900		213T	TEFC	M3702T	1,816	L1	17.89	102	82.5	208-230/460	3.5	16	
		213T	TEFC	EM3702T	2,089	L1	17.89	110	84	230/460	3.5	1, 30	
3		3600	56/56H	TEFC	M3559	673	K	12.91	45	82.5	208-230/460	3.8	1, 16, 36
	56H		TEFC	EM3559	871	K	13.79	50	86.5	230/460	3.6	1, 30	
	145T		TEFC	EM3559T	871	L1	14.17	49	86.5	230/460	3.6	1, 30	
	182T		TEFC	EM3610T	882	L1	15.14	50	86.5	230/460	3.6	1, 30	
	182T		TEFC	EM3660T	1,096	L1	15.24	84	86.5	230/460	3.8	1, 30	
	1800	182T	TEFC	EM3611T	890	LS	16.55	73	89.5	230/460	4.2	1, 30	
		182T	TEFC	EM3661T	1,127	L1	15.24	97	89.5	230/460	4.1	1, 30	
	1200	213T	TEFC	EM3704T	1,349	L1	19.02	134	89.5	230/460	4.6	1, 30	
		213T	TEFC	EM3764T	1,541	L1	18.45	173	89.5	230/460	4.5	1, 30	
	900	215T	TEFC	M3705T	1,985	L1	19.01	139	84	208-230/460	5.6	2, 16, 20	
		215T	TEFC	EM3705T	2,283	L1	19.01	111	86.5	230/460	5.2	1, 30	

(a) See notes on inside back flap.

Cast Iron Frame

Red Catalog Number indicates **NEW** Product.

General Information

Single Phase Motors

General Purpose Industrial Motors

Severe Duty Motors

Large AC Motors

Washdown Duty Motors

Explosion Proof Motors

Pump Motors

HVAC Motors

Farm Duty Motors

Three Phase, Totally Enclosed, Foot Mounted

Hp	RPM	NEMA Frame	Enclosure	Catalog Number	List Price	Mult. Sym.	"C" Dim.	Aprx. Wt. (lb)	Full Load Efficiency	Voltage	Full Load Amps	Notes (a)	
5	3600	184T	TEFC	EM3613T	978	L1	16.55	75	88.5	230/460	5.9	1, 30	
		184T	TEFC	EM3663T	1,349	L1	15.24	99	88.5	230/460	5.8	1, 30	
	1800	184T	TEFC	EM3615T	919	LS	18.05	93	89.5	230/460	6.7	1, 30	
		184T	TEFC	EM3665T	1,153	L1	15.24	107	89.5	230/460	6.6	1, 30	
	1200	215T	TEFC	EM3708T	1,524	L1	19.77	154	89.5	230/460	7.3	1, 30	
		215T	TEFC	EM3768T	1,788	L1	18.45	195	89.5	230/460	7.4	1, 30	
	900	254T	TEFC	M2280T	3,159	L1	22.83	229	85.5	208-230/460	8.3	1, 16	
		254T	TEFC	EM2280T	3,633	L1	23.28	256	86.5	230/460	7.9	1, 30	
	7 1/2	3600	184T	TEFC	EM3616T	1,290	L1	18.05	98	89.5	230/460	8.4	1, 30
			213T	TEFC	EM3709T	1,465	L1	17.89	116	89.5	230/460	9	1, 30
213T			TEFC	EM3769T	1,561	L1	18.45	165	89.5	230/460	9	1, 30	
1800		213T	TEFC	EM3710T	1,326	LS	19.02	128	91.7	230/460	9.4	1, 30	
		213T	TEFC	EM3770T	1,504	L1	18.45	170	91.7	230/460	9.5	1, 30	
1200		254T	TEFC	EM2276T	2,549	L1	23.28	278	91	230/460	11	1, 30	
900		256T	TEFC	M2401T	3,483	L1	23.28	270	85.5	208-230/460	14	1, 16	
		256T	TEFC	EM2401T	4,006	L1	23.28	320	86.5	230/460	12.2	1, 30	
10		3600	215T	TEFC	EM3711T	1,485	L1	17.89	120	90.2	230/460	11.8	1, 30
			215T	TEFC	EM3771T	1,830	L1	18.45	182	90.2	230/460	11.8	1, 30
	1800	215T	TEFC	EM3714T	1,497	LS	20.52	162	91.7	230/460	12	1, 30	
		215T	TEFC	EM3774T	1,687	L1	18.45	191	91.7	230/460	12.2	1, 30	
	1200	256T	TEFC	EM2332T	2,909	L1	23.28	290	91	230/460	14.1	1, 30	
	900	284T	TEFC	M2402T	4,044	L1	27.76	365	88.5	230/460	13.9	1, 16, 30	
		284T	TEFC	EM2402T	4,651	L1	27.76	391	89.5	230/460	14.6	1, 30	
	15	3600	215T	TEFC	EM3713T	2,095	L1	20.52	172	91	230/460	17	1, 30
			254T	TEFC	EM2394T	2,520	L1	23.28	241	91	230/460	17.5	1, 30
		1800	254T	TEFC	EM2333T	2,306	LS	23.28	270	92.4	230/460	18.1	1, 30
1200		284T	TEFC	EM4100T	3,880	L1	27.76	391	91.7	230/460	21	1, 30	
900		286T	TEFC	M2395T	5,624	L1	27.76	400	88.5	230/460	21.1	1, 16, 30	
		286T	TEFC	EM2395T	6,468	L1	27.76	455	89.5	230/460	23	1, 30	
20		3600	256T	TEFC	EM4106T	2,766	L1	23.28	262	91	230/460	23	1, 30
			256T	TEFC	EM2334T-12	3,142	L1	23.28	291	93	230/460	23	1, 30
		1800	256T	TEFC	EM2334T	2,796	LS	23.28	289	93	230/460	24	1, 30
			286T	TEFC	EM4102T	5,166	L1	27.76	399	91.7	230/460	27	1, 30
	1200	324T	TEFC	M4112T	6,395	L1	30.28	537	89.5	208-230/460	34.1	1, 16	
		324T	TEFC	EM4112T	7,355	L1	30.28	534	90.2	230/460	35	1, 30	
	25	3600	256T	TEFC	EM4118T	3,226	L1	23.28	305	91.7	230/460	29	1, 30
			284TS	TEFC	EM4107T	3,609	L1	24.70	327	91.7	230/460	29	1, 30
		1800	284T	TEFC	EM4103T	3,657	LS	27.76	388	93.6	230/460	30	1, 30
			284T	TEFC	EM4103T-12	4,206	L1	27.56	402	93.6	230/460	30	1, 25, 30
1200		324T	TEFC	EM4111T	5,845	L1	30.39	445	93	230/460	32	1, 30	
900		326T	TEFC	M4116T	7,899	L1	30.28	530	89.5	230/460	37	1, 16	
		326T	TEFC	EM4116T	9,084	L1	30.28	578	90.2	230/460	37	1, 30	
30		3600	286TS	TEFC	EM4108T	4,288	L1	24.70	347	91.7	230/460	34	1, 30
			286T	TEFC	EM4104T	4,338	LS	27.76	430	93.6	230/460	38	1, 30
		1800	286T	TEFC	EM4104T-12	4,887	L1	27.76	425	93.6	230/460	36	1, 25
	326T		TEFC	EM4117T	6,753	L1	30.28	604	93	230/460	39	1, 30	
	900	364T	TEFC	EM4338T	10,102	L1	33.44	813	92.4	230/460	39.3	1, 30	
	40	3600	324TS	TEFC	EM4109T	5,877	L1	28.78	551	92.4	230/460	46	1, 30
			324T	TEFC	EM4110T	5,673	LS	30.28	570	94.1	230/460	48	1, 30
		1800	324T	TEFC	EM4110T-12	6,524	L1	30.28	601	94.1	230/460	48	1, 25, 30
			364T	TEFC	EM4308T	8,414	L1	33.48	899	94.1	230/460	49.4	1, 30
		900	364T	TEFC	M4348T	10,895	L1	33.48	787	91.7	230/460	53.8	1, 16, 30
364T			TEFC	EM4348T	12,530	L1	33.48	875	93	230/460	52	1, 30	
50		3600	326TS	TEFC	EM4114T	6,429	L1	28.78	575	93	230/460	56	1, 30
			326T	TEFC	EM4115T	6,199	LS	30.28	650	94.5	230/460	58	1, 30
		1800	326T	TEFC	EM4115T-12	7,050	L1	30.28	652	94.5	230/460	58	1, 25
			326TS	TEFC	EM4115TS	6,199	L1	28.78	639	94.5	230/460	58	1, 30
	1200	365T	TEFC	EM4312T	10,167	L1	33.48	902	94.1	230/460	61.7	1, 30	
	900	405T	TEFC	EM4458T	15,386	L1	38.20	1216	93	230/460	63	1, 30	

(a) See notes on inside back flap.

Cast Iron Frame

Red Catalog Number indicates NEW Product.

Three Phase, Totally Enclosed, Foot Mounted

Hp	RPM	NEMA Frame	Enclosure	Catalog Number	List Price	Mult. Sym.	"C" Dim.	Aprx. Wt. (lb)	Full Load Efficiency	Voltage	Full Load Amps	Notes (a)
60	3600	364TS	TEFC	EM4310T	9,032	L1	31.36	810	95	230/460	65.1	1, 30
	1800	364T	TEFC	EM4314T	8,919	LS	33.48	912	95	230/460	67.8	1, 30
		364T	TEFC	EM4314T-12	10,257	L1	33.48	850	95	230/460	68	1, 25
		364TS	TEFC	EM4314TS	8,919	L1	31.36	907	95	230/460	68	1, 30
	1200	404T	TEFC	EM4403T	12,341	L1	38.04	1187	95	230/460	69	1, 30
	900	405T	TEFC	M4468T	15,451	L1	38.04	1106	91.7	230/460	77	1, 16
405T		TEFC	EM4468T	17,769	L1	38.20	1216	93	230/460	76	1, 30	
75	3600	365TS	TEFC	EM4313T	10,507	L1	31.36	980	94.5	230/460	80.7	1, 30
	1800	365T	TEFC	EM4316T	10,429	LS	33.48	955	95.4	230/460	84.9	1, 30
		365T	TEFC	EM4316T-12	11,767	L1	33.48	955	95.4	230/460	85.9	1, 25
		365TS	TEFC	EM4316TS	10,429	L1	31.36	946	95.4	230/460	85.9	1, 30
	1200	405T	TEFC	EM4404T	14,371	L1	38.04	1229	94.5	230/460	86.8	1, 30
100	3600	405TS	TEFC	EM4402T-4	13,434	L1	35.04	1187	95	460	110	1, 25
	1800	405T	TEFC	EM4400T	12,952	LS	38.04	1203	95.4	230/460	112	1, 30
		405T	TEFC	EM4400T-12	14,895	L1	38.04	1211	95.4	230/460	112	1, 25
		405TS	TEFC	EM4400TS	12,952	L1	35.04	1206	95.4	230/460	112	1, 30
	1200	444T	TEFC	EM4409T-4	17,345	L1	44.75	1828	95	460	119	1
125	3600	444TS	TEFC	EM4412T-4	16,605	L1	40.83	1901	95	460	137	1
		444TS	TEFC	EM4912T-4	16,605	L1	40.98	1539	95	460	137	1, 99, 100
	1800	444T	TEFC	EM4410T-4	16,033	LS	44.75	1969	95.4	460	144	1
		444TS	TEFC	EM4410TS-4	16,033	L1	41.08	2001	95.4	460	144	1
		444T	TEFC	EM4410TR-4	17,261	L1	44.75	1988	95.4	460	144	1, 5
	1200	445T	TEFC	EM4411T-4	20,405	L1	44.75	2073	95	460	146	1, 25
		445T	TEFC	EM4911T-4	20,405	L1	44.75	1874	95	460	146	1, 25, 99, 100
150	3600	445TS	TEFC	EM4413T-4	19,538	L1	41.08	1995	95	460	164	1
	1800	445T	TEFC	EM4406T-4	18,443	LS	44.75	1826	95.8	460	169	1, 25
		445TS	TEFC	EM4406TS-4	18,443	L1	41.08	2071	95.8	460	169	1
		445T	TEFC	EM4906T-4	18,443	LS	44.75	2169	95.8	460	169	1, 25, 99, 100
		445T	TEFC	EM4406TR-4	19,671	L1	44.75	1826	95.8	460	169	1, 5
	1200	447T	TEFC	EM44156T-4	23,372	L1	48.24	2571	95.8	460	170	1, 25
200	3600	447TS	TEFC	EM4416T-4	23,416	L1	44.48	2355	95.4	460	216	1
		447T	TEFC	EM4407T-4	23,119	L1	48.24	2497	96.2	460	223	1
	1800	447T	TEFC	EM4407T-4E	23,119	L1	48.40	2308	96.2	460	221	1, 56, 100
		447TS	TEFC	EM4407TS-4	23,119	L1	44.48	2487	96.2	460	223	1
		447T	TEFC	EM4907T-4	23,119	L1	48.24	2517	96.2	460	223	1, 99, 100
		447T	TEFC	EM4407TR-4	24,347	L1	48.24	2531	96.2	460	223	1, 5
	1200	449T	TEFC	EM44206T-4	28,836	L1	53.24	3017	95.8	460	225	1
250	3600	449TS	TEFC	EM44252T-4	36,662	L1	49.48	2595	95.8	460	268	1
		447T	TEFC	M4408T-4	26,362	L1	48.24	2477	95	460	286	1, 16, 25
	1800	447T	TEFC	M4408T-4E	26,362	L1	48.40	2240	95.4	460	278	1, 25, 56, 100
		447TS	TEFC	M4408TS-4	26,362	L1	44.48	2449	95	460	286	1, 16, 25
		447T	TEFC	M4908T-4	26,362	L1	48.24	2545	95	460	286	1, 25, 99, 100
		447T	TEFC	EM4408T-4	30,317	L1	53.22	2888	96.2	460	276	1
		447T	TEFC	EM4408TR-4	31,545	L1	53.22	2888	96.2	460	276	1
		447TS	TEFC	EM4408TS-4	30,317	L1	59.47	2888	96.2	460	276	1
1200	449T	TEFC	EM44256T-4	42,159	L1	53.22	3125	95.8	460	285	1	
300	3600	449TS	TEFC	M44302T-4	48,699	L1	49.48	2743	95.4	460	324	1, 16
		449TS	TEFC	EM44302T-4	56,004	L1	49.47	2595	95.8	460	324	1
	1800	449T	TEFC	M44304T-4	39,242	L1	53.24	2863	95.4	460	336	1, 16, 25
		449T	TEFC	EM44304T-4	45,129	L1	53.24	2888	96.2	460	327	1
		449TS	TEFC	EM44304TS-4	45,129	L1	49.47	2888	96.2	460	327	1
	1200	449T	TEFC	M44306T-4	46,794	L1	53.24	2826	95	460	350	1, 16
449T		TEFC	EM44306T-4	53,814	L1	60.21	3683	95.8	460	340	1	

(a) See notes on inside back flap.

■ Cast Iron Frame

Red Catalog Number indicates **NEW** Product.

General Information

Single Phase Motors

General Purpose Industrial Motors

Severe Duty Motors

Large AC Motors

Washdown Duty Motors

Explosion Proof Motors

Pump Motors

HVAC Motors

Farm Duty Motors

Three Phase, Totally Enclosed, Foot Mounted

Hp	RPM	NEMA Frame	Enclosure	Catalog Number	List Price	Mult. Sym.	"C" Dim.	Aprx. Wt. (lb)	Full Load Efficiency	Voltage	Full Load Amps	Notes (a)	
Single Phase Motors	3600	449TS	TEFC	M44352T-4	56,256	L1	49.48	2922	95.4	460	370	1, 16, 25	
		449TS	TEFC	EM44352T-4	64,695	L1	49.47	2855	96.2	460	375	1	
	1800	449T	TEFC	M44354T-4	43,600	L1	53.24	2995	95.4	460	392	1, 16, 25	
		449TS	TEFC	M44354TS-4	43,600	L1	49.48	3130	95.4	460	392	1, 16, 25	
		449T	TEFC	EM44354T-4	50,140	L1	53.24	3027	96.2	460	392	1	
		449TS	TEFC	EM44354TS-4	50,140	L1	49.47	3027	96.2	460	392	1	
General Purpose Industrial Motors	1200	5010	TEFC	M50356L-4	37,732	LG	71.42	5600	95.2	460	398	1,16	
		5010	TEFC	EM50356L-4	43,392	LG	71.42	5600	95.8	460	398	1	
		5010	TEFC	M50356LR-4	39,036	LG	71.42	5600	95.2	460	398	1,5,16	
Severe Duty Motors	3600	449TS	TEFC	M44402T-4	68,390	L1	49.48	2994	95.4	460	423	1, 16, 25	
		449TS	TEFC	EM44402T-4	78,649	L1	49.47	3149	95.8	460	424		
	1800	449T	TEFC	EM44404T-4	65,575	L1	60.21	3680	96.2	460	436		
		5010	TEFC	M50406L-4	41,031	LG	71.42	5600	95.5	460	454	1,16	
		5010	TEFC	EM50406L-4	47,186	LG	71.42	5600	95.8	460	454	1	
		5010	TEFC	M50406LR-4	42,335	LG	71.42	5600	95.5	460	454	1,5,16	
	900	5012	TEFC	EM50408LR-4	48,685	LG	71.42	5600	95.5	460	454	1,5	
		5012	TEFC	M50408LR-4	60,807	LG	79.44	6600	95.4	460	499	1,5,16	
	Large AC Motors	3600	5010	TEFC	M50452S-4	44,401	LG	67.45	5500	95.4	460	480	1,16
			5010	TEFC	EM50452S-4	51,061	LG	67.45	5500	95.8	460	480	1
1800		5010	TEFC	M50454L-4	40,856	LG	71.42	5500	95.8	460	511	1,16	
		5010	TEFC	EM50454L-4	46,984	LG	71.42	5500	96.2	460	511	1	
1200		5012	TEFC	M50456L-4	46,810	LG	79.44	6600	95.5	460	508	1,16	
		5012	TEFC	EM50456L-4	53,832	LG	79.44	6600	95.8	460	508	1	
		5012	TEFC	M50456LR-4	48,114	LG	79.44	6600	95.5	460	508	1,5,16	
		5012	TEFC	EM50456LR-4	55,331	LG	79.44	6600	95.8	460	508	1,5	
900		5012	TEFC	EM50458LR-4	63,847	LG	79.44	6600	95.6	460	574	1,5,10	
Washdown Duty Motors		3600	5010	TEFC	M50502S-4	48,093	LG	67.45	5500	95.7	460	532	1,16
	5010		TEFC	EM50502S-4	55,307	LG	67.45	5500	95.8	460	532	1	
	1800	5010	TEFC	M50504L-4	46,492	LG	71.42	5500	96	460	569	1,16	
		5010	TEFC	EM50504L-4	53,466	LG	71.42	5500	96.2	460	569	1	
	1200	5012	TEFC	M50506L-4	53,039	LG	79.44	6600	95.6	460	564	1,16	
		5012	TEFC	EM50506L-4	60,995	LG	79.44	6600	95.8	460	564	1	
		5012	TEFC	M50506LR-4	54,343	LG	79.44	6600	95.6	460	564	1,5,16	
		5012	TEFC	EM50506LR-4	62,494	LG	79.44	6600	95.8	460	564	1,5	
	900	5810	TEFC	EM58508LR-4	78,072	LG	90.81	10000	95.6	460	637	1,5,16	
	Explosion Proof Motors	3600	5010	TEFC	M50602S-4	52,207	LG	79.00	5650	95.7	460	644	1,7
5012			TEFC	M50604L-4	55,152	LG	79.44	6600	96.2	460	678	1	
1200		5012	TEFC	M50606L-4	61,203	LG	79.44	6600	95.9	460	667	1,7	
		5012	TEFC	M50606LR-4	62,507	LG	79.44	6600	95.9	460	667	1,5,7	
900		5810	TEFC	M58608LR-4	85,261	LG	90.81	10000	95.9	460	774	1,5,10	
Pump Motors		3600	5810	TEFC	M58702S-4	55,029	LG	95.59	10000	95.8	460	767	1
	1800		5012	TEFC	M50704L-4	63,072	LG	79.42	6600	96.3	460	792	1
	1200	5810	TEFC	M58706L-4	67,797	LG	90.81	10000	96.2	460	781	1	
		5810	TEFC	M58706LR-4	69,101	LG	90.81	10000	96.2	460	781	1,5	
	900	450	TEFC	M450708L-4	105,121	LG	86.42	11000	95.6	460	875	1,7,9,10	
HVAC Motors	3600	5810	TEFC	M58802S-4	69,833	LG	95.59	10000	95.7	460	877	1	
		1800	5012	TEFC	M50804L-4	67,731	LG	90.97	6600	96.6	460	911	1
	1200	5012	TEFC	M58806LR-4	75,237	LG	90.81	10000	96.7	460	903	1,7,10	
	900	450	TEFC	M450808L-4	105,121	LG	86.42	11000	95.9	460	1011	1,7,9,10	
900	1800	5012	TEFC	M50904L-4	69,190	LG	84.87	6600	96.4	460	1000	1,7,10	
	1200	450	TEFC	M450906L-4	92,733	LG	83.47	10000	96.3	460	1047	1,7,9,10	
	900	500	TEFC	M500908L-4	121,922	LG	99.02	14925	95.6	460	1095	1,7,9,10	
1000	1800	450	TEFC	M4501004L-4	100,178	LG	86.42	10000	96	460	1126	1,7,9,10	
	1200	450	TEFC	M4501006L-4	105,979	LG	96.65	12600	95.8	460	1136	1,7,9,10	
	900	500	TEFC	M5001008L-4	123,922	LG	99.02	15000	95.7	460	1229	1,7,9,10	
1250	1800	500	TEFC	M5001254L-4	120,836	LG	72.64	14000	96.1	460	1387	1,7,9,10	
	1200	500	TEFC	M5001256L-4	115,034	LG	96.65	14500	96.4	460	1441	1,7,9,10	
1500	1800	500	TEFC	M5001504L-4	133,358	LG	120.28	15500	96.4	460	1645	1,7,9,10	

(a) See notes on inside back flap. Cast Iron Frame
 Red Catalog Number indicates NEW Product.

Three Phase, Totally Enclosed, Foot Mounted

Hp	RPM	NEMA Frame	Enclosure	Catalog Number	List Price	Mult. Sym.	"C" Dim.	Aprx. Wt. (lb)	Full Load Efficiency	Voltage	Full Load Amps	Notes (a)
200 Volts												
1	1800	143T	TEFC	EM3546T-8	867	L1	12.31	35	85.5	200	3.5	1, 68
1 1/2	1800	145T	TEFC	EM3554T-8	528	L1	13.31	43	86.5	200	5	1, 68
2	1800	145T	TEFC	EM3558T-8	1,096	L1	13.31	46	86.5	200	6.7	1, 68
		145T	TEFC	M3558T-8	1,127	L1	13.31	41	84	200	6.6	16, 68
3	3600	182T	TEFC	EM3660T-8	890	L1	15.24	82	86.5	200	8.8	1, 68
	1800	182T	TEFC	EM3661T-8	624	L1	15.24	96	89.5	200	9.5	1, 68
		182T	TEFC	EM3611T-8	1,349	L1	16.55	72	89.5	200	9.7	1, 68
5	1800	182T	TEFC	M3611T-8	1,153	L1	16.52	64	87.5	200	9.5	1, 16, 68
		184T	TEFC	EM3663T-8	718	L1	15.24	99	88.5	200	13.3	1, 68
		184T	TEFC	EM3665T-8	919	L1	15.24	108	89.5	200	15.1	1, 68
		184T	TEFC	M3615T-8	1,561	L1	16.54	76	87.5	200	15.5	1, 16, 68
7 1/2	1800	184T	TEFC	EM3615T-8	1,504	L1	18.04	93	89.5	200	15.2	1, 68
		213T	TEFC	EM3769T-8	917	L1	18.45	155	89.5	200	21	1, 68
		213T	TEFC	EM3770T-8	1,326	L1	18.45	170	91.7	200	21.4	1, 68
10	1800	213T	TEFC	M3710T-8	1,830	L1	17.89	116	89.5	200	23.2	1, 16, 68
		213T	TEFC	EM3710T-8	1,687	L1	19.01	127	91.7	200	21.6	1, 68
		215T	TEFC	EM3771T-8	1,113	L1	18.45	182	90.2	200	26.8	1, 68
15	1800	215T	TEFC	EM3774T-8	1,497	L1	18.45	189	91.7	200	28	1, 68
		215T	TEFC	M3714T-8	2,520	L1	19.01	131	89.5	200	31.3	2, 16, 68
		215T	TEFC	EM3714T-8	2,306	L1	19.78	165	91	200	28.9	1, 68
20	1800	254T	TEFC	EM2394T-8	2,520	L1	23.28	240	91	200	40	1, 68
		254T	TEFC	EM2333T-8	2,306	L1	23.28	255	92.4	200	42.4	1, 30, 68
25	1800	256T	TEFC	EM4106T-8	2,766	L1	23.28	242	91	200	52	1, 24, 69
		256T	TEFC	EM2334T-8	2,796	L1	23.28	292	93	200	55.2	1, 24, 30, 69
		256T	TEFC	M2334T-8	2,357	L1	23.28	262	91	200	55	1, 16, 24, 69
30	1800	284TS	TEFC	EM4107T-8	3,609	L1	24.70	305	91.7	200	65	1, 24, 69
		284T	TEFC	EM4103T-8	3,657	L1	27.76	382	93.6	200	68.4	1, 24, 69
		284T	TEFC	M4103T-8	2,915	L1	26.08	333	92.4	200	67	1, 16, 24, 69
40	1800	286TS	TEFC	EM4108T-8	4,288	L1	24.70	324	91.7	200	76	1, 24, 69
		286T	TEFC	EM4104T-8	4,338	L1	27.76	413	93.6	200	84	1, 24, 69
		286T	TEFC	M4104T-8	3,443	L1	26.08	357	92.4	200	83	1, 16, 24, 69
50	1800	324T	TEFC	EM4110T-8	5,673	L1	30.28	576	94.1	200	111	1, 24, 69
		324T	TEFC	M4110T-8	4,568	L1	30.39	480	93	200	108	1, 16, 24, 69
50	1800	326T	TEFC	EM4115T-8	6,199	L1	30.28	621	94.5	200	131	1, 24, 69
575 Volts												
1/3	1800	56	TEFC	M3534-5	340	LS	11.35	20	68	575	0.6	1, 13
1/2	1800	56	TEFC	M3537-5	366	K	11.35	19	68	575	0.8	1, 12
		56	TEFC	M3538-5	389	LS	11.35	22	74	575	0.8	1, 12
		56	TEFC	M3539-5	586	K	11.35	23	72	575	1	1, 12
3/4	1800	56	TEFC	M3541-5	403	K	11.35	21	74	575	1	1, 12
		56	TEFC	M3542-5	416	LS	11.35	26	75.5	575	1.2	1, 12
		56H	TEFC	M3543-5	598	K	12.84	33	77	575	1.2	
1	1800	143T	TEFC	M3543T-5	598	L1	13.41	34	77	575	1.2	1
		56	TEFC	EM3545-5	641	K	11.97	27	77	575	1.2	12
		56	TEFC	M3546-5	433	LS	12.23	29	75.5	575	1.5	16
	1200	56	TEFC	EM3546T-5	738	K	12.23	38	85.5	575	1.2	1
		56H	TEFC	M3556-5	608	K	12.91	37	78.5	575	1.5	16
		56H	TEFC	EM3556-5	846	K	12.91	41	82.5	575	1.4	
		145T	TEFC	EM3556T-5	846	L1	13.31	40	82.5	575	1.4	1
1 1/2	3600	143T	TEFC	EM3550T-5	726	L1	12.29	36	84	575	1.5	1
1 1/2	1800	145T	TEFC	EM3554T-5	820	LS	13.31	42	86.5	575	1.8	1
1 1/2	1200	182T	TEFC	EM3607T-5	989	L1	16.55	73	87.5	575	1.9	1

(a) See notes on inside back flap.

Cast Iron Frame

Red Catalog Number indicates **NEW** Product.

General Information

Single Phase Motors

General Purpose Industrial Motors

Severe Duty Motors

Large AC Motors

Washdown Duty Motors

Explosion Proof Motors

Pump Motors

HVAC Motors

Farm Duty Motors

Three Phase, Totally Enclosed, Foot Mounted

Hp	RPM	NEMA Frame	Enclosure	Catalog Number	List Price	Mult. Sym.	"C" Dim.	Aprx. Wt. (lb)	Full Load Efficiency	Voltage	Full Load Amps	Notes (a)
2	3600	56H	TEFC	EM3555-5	795	K	12.91	41	85.5	575	2	
		145T	TEFC	EM3555T-5	795	L1	13.29	43	85.5	575	2	1
	1800	56H	TEFC	M3558-5	528	LS	12.91	40	82.5	575	2.4	16
		56H	TEFC	EM3558-5	867	K	12.91	45	86.5	575	2.3	1
		145T	TEFC	EM3558T-5	867	LS	13.31	46	86.5	575	2.3	1
1200	184T	TEFC	EM3614T-5	1,037	L1	18.05	90	88.5	575	2.8		
3	3600	56H	TEFC	EM3559-5	871	K	13.79	50	86.5	575	2.9	1
		145T	TEFC	EM3559T-5	871	L1	14.17	60	86.5	575	2.9	1
	1800	182T	TEFC	EM3611T-5	890	LS	16.55	73	89.5	575	3.3	1
		182T	TEFC	EM3661T-5	1,127	L1	15.24	97	89.5	575	3.3	1
	1200	213T	TEFC	EM3704T-5	1,349	L1	19.01	129	89.5	575	3.7	1
5	3600	184T	TEFC	EM3613T-5	978	L1	16.54	75	88.5	575	4.7	1
	1800	184T	TEFC	EM3615T-5	919	LS	18.05	89	89.5	575	5.3	1
		184T	TEFC	EM3665T-5	1,153	L1	15.24	108	89.5	575	5.3	1
1200	215T	TEFC	EM3708T-5	1,524	L1	19.76	154	89.5	575	5.8	1	
7 1/2	3600	184T	TEFC	EM3616T-5	1,290	L1	18.05	98	89.5	575	6.8	1
		213T	TEFC	EM3709T-5	1,465	L1	17.89	115	89.5	575	7	1
	1800	213T	TEFC	EM3710T-5	1,326	LS	19.02	123	91.7	575	7.6	1
		213T	TEFC	EM3770T-5	1,504	L1	18.45	170	91.7	575	7.5	1
10	3600	215T	TEFC	EM3711T-5	1,485	L1	17.89	119	90.2	575	9.5	1
	1800	215T	TEFC	EM3714T-5	1,497	LS	20.52	165	91.7	575	9.6	1
		215T	TEFC	EM3774T-5	1,687	L1	18.45	185	91.7	575	9.8	1
15	3600	215T	TEFC	EM3713T-5	2,095	L1	20.52	169	91	575	13.6	1
	254T	TEFC	EM2394T-5	2,520	L1	23.28	245	91	575	14.1	1	
20	1800	254T	TEFC	EM2333T-5	2,306	LS	23.28	258	92.4	575	14.6	1
	3600	256T	TEFC	EM4106T-5	2,766	L1	23.28	252	91	575	18.2	1
25	1800	256T	TEFC	EM2334T-5	2,796	LS	23.28	290	93	575	19.2	1
	3600	284TS	TEFC	EM4107T-5	3,609	L1	24.70	335	91.7	575	22	1
30	1800	284T	TEFC	EM4103T-5	3,657	LS	27.76	380	93.6	575	24	1
	3600	286TS	TEFC	EM4108T-5	4,288	L1	24.70	331	91.7	575	26.5	1
40	1800	286T	TEFC	EM4104T-5	4,338	LS	27.76	408	93.6	575	29	1
	3600	324TS	TEFC	EM4109T-5	5,877	L1	28.78	522	92.4	575	37	1
50	1800	324T	TEFC	EM4110T-5	5,673	LS	30.28	575	94.1	575	39	1
	3600	326TS	TEFC	EM4114T-5	6,429	L1	28.78	574	93	575	45	1
60	1800	326T	TEFC	EM4115T-5	6,199	LS	30.28	623	94.5	575	46	1
	3600	364T	TEFC	EM4314T-5	8,919	LS	33.48	919	95	575	54.4	1
75	1800	365T	TEFC	EM4316T-5	10,429	LS	33.48	958	95.4	575	68.7	1
100	1800	405T	TEFC	EM4400T-5	12,952	LS	38.04	1208	95.4	575	89.6	1
125	1800	444T	TEFC	EM4410T-5	16,033	LS	44.75	1669	95.4	575	115	1
		444T	TEFC	EM4410T-5E	16,033	LS	44.62	1626	95.8	575	111	1, 56, 100
150	1800	445T	TEFC	EM4406T-5	18,443	LS	44.75	2151	95.8	575	135	1
		445T	TEFC	EM4406T-5E	18,443	LS	44.62	1770	96.2	575	132	1, 56, 100
2300/4000 Volts												
250	3600	449TS	TEFC	EM44252TS-2340	33,234	LG	49.49	2338	95	2300/4000	33	1
	1800	L449T	TEFC	EM44254T-2340	36,300	LG	60.21	2694	95	2300/4000	32	1
	1200	5010	TEFC	M50256LR-2340	41,964	LG	71.42	5500	94.6	2300/4000	34	1, 5
	900	5010	TEFC	EM50258LR-2340	48,317	LG	71.42	5500	94.3	2300/4000	36	1, 5
300	3600	L449TS	TEFC	EM44302TS-2340	40,255	LG	56.48	3149	95.3	2300/4000	39	1
	1800	L449T	TEFC	EM44304T-2340	36,979	LG	60.21	3676	95	2300/4000	39	1, 5
	1200	5010	TEFC	M50306LR-2340	43,298	LG	71.42	3683	94.7	2300/4000	40	1, 5
	900	5012	TEFC	EM50308LR-2340	54,916	LG	79.44	5500	94.5	2300/4000	43	1, 5, 10
350	3600	5010	TEFC	EM50352S-2340	43,766	LG	67.45	5500	95	2300/4000	45	1
	1800	5008	TEFC	EM50354L-2340	44,000	LG	71.42	5000	95	2300/4000	46	1
	1200	5010	TEFC	M50356LR-2340	49,383	LG	71.42	5500	94.8	2300/4000	47	1, 5
	900	5012	TEFC	EM50358LR-2340	63,165	LG	79.44	6600	94.5	2300/4000	51	1, 5, 10
400	3600	5010	TEFC	EM50402S-2340	48,213	LG	67.45	5500	95	2300/4000	50	1
	1800	5010	TEFC	EM50404L-2340	47,745	LG	71.42	5500	95.3	2300/4000	52	1
	1200	5012	TEFC	EM50406LR-2340	54,064	LG	79.44	6600	95	2300/4000	53	1, 5
	900	5012	TEFC	EM50408LR-2340	72,357	LG	79.44	6600	94.8	2300/4000	62	1, 5, 7, 10

(a) See notes on inside back flap. Cast Iron Frame
 Red Catalog Number indicates **NEW** Product.

Three Phase, Totally Enclosed, Foot Mounted

Hp	RPM	NEMA Frame	Enclosure	Catalog Number	List Price	Mult. Sym.	"C" Dim.	Aprx. Wt. (lb)	Full Load Efficiency	Voltage	Full Load Amps	Notes (a)
450	3600	5010	TEFC	EM50452S-2340	56,872	LG	67.45	5500	95.2	2300/4000	57	1
	1800	5010	TEFC	EM50454L-2340	51,957	LG	71.42	5500	95.5	2300/4000	59	1
	1200	5012	TEFC	EM50456LR-2340	62,021	LG	79.44	6600	95.1	2300/4000	60	1,5
	900	5810	TEFC	EM58458LR-2340	78,956	LG	90.81	10000	95.2	2300/4000	67	1,5,10
500	3600	5010	TEFC	EM50502S-2340	62,021	LG	67.45	5500	95.4	2300/4000	63	1
	1800	5012	TEFC	EM50504L-2340	59,681	LG	79.42	6600	95.5	2300/4000	65	1
	1200	5012	TEFC	EM50506LR-2340	70,915	LG	79.44	6600	95.3	2300/4000	64	1,5,7
	900	5810	TEFC	EM58508LR-2340	88,384	LG	90.81	10000	95.1	2300/4000	73	1,5,10
600	3600	5010	TEFC	EM50602S-2340	67,872	LG	79.00	5500	95.6	2300/4000	75	1,7
	1800	5012	TEFC	EM50604L-2340	70,213	LG	79.42	6600	95.8	2300/4000	78	1
	1200	5810	TEFC	EM58606LR-2340	78,404	LG	90.81	10000	95.7	2300/4000	79	1,5
	900	5810	TEFC	EM58608LR-2340	100,169	LG	90.81	10000	95.6	2300/4000	87	1,5,7,10
700	3600	5810	TEFC	M58702S-2340	71,851	LG	95.59	10000	95.2	2300/4000	89	1
	1800	5012	TEFC	EM50704L-2340	77,234	LG	79.42	6600	96.1	2300/4000	90	1
	1200	5810	TEFC	EM58706LR-2340	89,652	LG	90.81	10000	96.2	2300/4000	92	1,5,7
	900	450	TEFC	EM450708L-2340	113,182	LG	83.47	10000	95.3	2300/4000	107	1,7,9,10
800	3600	5810	TEFC	EM58802S-2340	89,362	LG	95.59	10000	95.5	2300/4000	103	1
	1800	5012	TEFC	EM50804L-2340	89,872	LG	90.97	6600	95.8	2300/4000	102	1,7
	1200	450	TEFC	EM450806L-2340	102,853	LG	83.47	10000	96	2300/4000	105	1,7,9,10
	900	450	TEFC	EM450808L-2340	122,452	LG	83.47	10800	95.6	2300/4000	113	1,7,9,10
900	1800	5810	TEFC	EM58904L-2340	94,553	LG	90.81	10000	96.2	2300/4000	115	1
	1200	450	TEFC	EM450906L-2340	112,006	LG	83.47	10000	96.2	2300/4000	118	1,7,9,10
	900	500	TEFC	EM500908L-2340	141,652	LG	99.02	14000	95.6	2300/4000	124	1,7,9,10
1000	1800	5810	TEFC	EM581004L-2340	108,596	LG	102.27	11000	96.1	2300/4000	129	1
	1200	450	TEFC	EM4501006L-2340	115,432	LG	83.47	11000	95.9	2300/4000	130	1,7,9,10
	900	500	TEFC	EM5001008L-2340	143,652	LG	99.02	14000	95.6	2300/4000	138	1,7,9,10
1250	1800	500	TEFC	EM5001254L-2340	138,765	LG	120.23	13100	96	2300/4000	159	1,7,9,10
	1200	500	TEFC	EM5001256L-2340	126,546	LG	99.65	13000	96.3	2300/4000	167	1,7,9,10
	900	500	TEFC	EM5001258L-2340	144,599	LG	99.02	14000	95.9	2300/4000	179	1,7,9,10
1500	1800	500	TEFC	EM5001504L-2340	144,882	LG	120.28	14300	96.4	2300/4000	189	1,7,9,10
	1200	500	TEFC	EM5001506L-2340	139,139	LG	96.65	14700	96.6	2300/4000	200	1,7,9,10
	900	500	TEFC	EM5001508L-2340	150,998	LG	99.02	16700	96.1	2300/4000	207	1,7,9,10

(a) See notes on inside back flap.

■ Cast Iron Frame

Red Catalog Number indicates **NEW** Product.

Custom induction motors are available up to 30,000 Hp. Contact your Baldor•Reliance sales representative for additional information.

General Information

Single Phase Motors

General Purpose Industrial Motors

Severe Duty Motors

Large AC Motors

Washdown Duty Motors

Explosion Proof Motors

Pump Motors

HVAC Motors

Farm Duty Motors

Three Phase, Totally Enclosed, C-Face, Foot Mounted

1/4 thru 100 Hp



Features:

- Locked DE bearing to allow mounting in any configuration
- 60 Hz designs with 50 Hz information on 2,4,6 Pole 1-125 Hp ratings
- Suitable for Inverter use per NEMA MG1 Part 31.4.4.2
- Simple F1 to F2 conversion on cast iron frames
- Designed for longevity with a 3 year warranty on premium efficient Super-E® Motors

Applications:

- Fans
- Pumps
- Blowers
- Conveyors
- Compressors
- Industrial Machines
- Other General Purpose Applications

Hp	RPM	NEMA Frame	Enclosure	Catalog Number	List Price	Mult. Sym.	"C" Dim.	Aprx. Wt. (lb)	Full Load Efficiency	Voltage	Full Load Amps	Notes (a)
230/460 Volts												
1/4	1800	56C	TENV	CNM3454/35	524	K	11.06	31	80	230/460	0.4	1, 30, 48
	1200	56C	TENV	CNM3531	666	K	11.06	31	68	208-230/460	0.5	13
1/3	3600	56C	TENV	CNM3457	385	K	10.25	21	72	208-230/460	0.7	
	1800	56C	TEFC	CM3534	377	LS	11.35	21	68	230/460	0.8	13, 30
1/2	3600	56C	TEFC	CM3537	392	K	11.35	20	68	230/460	1	12, 30
		56C	TEFC	CM3538	417	LS	11.35	23	74	230/460	1	12, 30
	1800	56C	TENV	CNM3538/35	536	K	11.06	28	80	230/460	0.8	1, 30, 48
		56C	TEFC	CM3539	612	K	11.35	23	72	230/460	1.2	12, 30
3/4	3600	56C	TENV	CNM3539	654	K	12.06	40	78.5	230/460	1	30
		56C	TEFC	CM3541	428	K	11.35	22	74	230/460	1.3	12, 30
	1800	56C	TEFC	CM3542	443	LS	11.35	26	75.5	208-230/460	1.5	12
		56C	TENV	CNM3542	481	K	11.06	31	78.5	230/460	1.4	30
	1200	56C	TEFC	CM3543	624	K	12.85	23	77	208-230/460	1.5	
		56C	TEFC	CEM3545	669	K	12.25	33	77	230/460	1.4	1, 12, 30
1	1800	56C	TEFC	CEM3546	766	K	12.23	36	85.5	230/460	1.4	1, 30
		56C	TEFC	CEM3546	476	K	12.00	31	78.5	208-230/460	1.7	16
		56C	TENV	CNM3546	549	K	12.06	40	85.5	208-230/460	1.5	16
		56C	TENV	CEM3546	766	K	11.06	38	85.5	230/460	1.5	30
		143TC	TEFC	CEM3546T	776	LS	13.29	36	85.5	230/460	1.5	1, 30
		143TC	TEFC	CEM3581T	978	L1	13.03	54	85.5	230/460	1.5	1, 30
	1200	56C	TEFC	CM3556	634	K	12.23	35	78.5	208-230/460	1.9	16
		56C	TEFC	CEM3556	874	K	13.23	41	82.5	230/460	1.8	30
		143TC	TEFC	CEM3556T	884	L1	13.29	43	82.5	230/460	1.8	1, 30
		56C	TEFC	CEM3550	754	K	13.25	37	84	230/460	1.9	1, 30
1 1/2	3600	143TC	TEFC	CEM3550T	764	L1	13.29	40	84	230/460	1.9	1, 30
		143TC	TEFC	CEM3583T	1,031	L1	13.05	55	85.5	230/460	2	1, 30
		56C	TEFC	CEM3554	848	K	13.23	45	86.5	230/460	2.2	1, 30
		56C	TEFC	CM3554	518	K	12.23	35	81.5	208-230/460	2.3	16
	1800	145TC	TEFC	CEM3554T	858	LS	13.29	42	86.5	230/460	2.2	1, 30
		145TC	TEFC	CEM3584T	1,012	L1	13.03	60	86.5	230/460	2.3	1, 30
		56C	TEFC	CM3557	723	K	14.10	46	80	208-230/460	2.5	2, 16, 20
		182TC	TEFC	CEM3607T	1,061	L1	16.55	77	87.5	230/460	2.4	1, 30
2	3600	56C	TEFC	CEM3555	823	K	13.25	46	85.5	230/460	2.5	1, 30
		56C	TEFC	CM3555	605	K	12.85	33	80	208-230/460	2.9	16
		56C	TEFC	CM3555/35	679	K	13.25	43	84	208-230/460	2.6	1, 16, 48
		145TC	TEFC	CEM3555T	833	L1	13.29	44	85.5	230/460	2.5	1, 30
	1800	145TC	TEFC	CEM3586T	1,079	L1	13.03	60	85.5	230/460	2.5	1, 30
		56C	TEFC	CEM3558	895	K	13.23	46	86.5	230/460	2.9	1, 30
		56C	TEFC	CM3558	555	K	13.23	40	82.5	208-230/460	3	16
		145TC	TEFC	CEM3558T	905	LS	14.17	46	86.5	230/460	2.9	1, 30
		145TC	TEFC	CEM3587T	1,058	L1	13.03	62	86.5	230/460	2.9	1, 30
		1200	184TC	TEFC	CEM3614T	1,109	L1	18.05	97	88.5	230/460	3.5
184TC	TEFC		CEM3664T	1,336	L1	16.00	115	88.5	230/460	3.2	1, 30	

(a) See notes on inside back flap.

■ Cast Iron Frame

Red Catalog Number indicates **NEW** Product.

Three Phase, Totally Enclosed, C-Face, Foot Mounted

Hp	RPM	NEMA Frame	Enclosure	Catalog Number	List Price	Mult. Sym.	"C" Dim.	Aprx. Wt. (lb)	Full Load Efficiency	Voltage	Full Load Amps	Notes (a)	
3	3600	56C	TEFC	CM3559	699	K	13.25	45	82.5	208-230/460	3.8	1, 16	
		56C	TEFC	CEM3559	899	K	14.12	50	86.5	230/460	3.6	1, 30	
		145TC	TEFC	CEM3559T	909	L1	14.17	52	86.5	230/460	3.6	1, 30	
		182TC	TEFC	CEM3610T	954	L1	15.18	50	86.5	230/460	3.6	1, 30	
		182TC	TEFC	CEM3660T	1,195	L1	16.00	90	86.5	230/460	3.8	1, 30	
	1800	182TC	TEFC	CEM3611T	962	LS	16.55	75	89.5	230/460	4.2	1, 30	
		182TC	TEFC	CEM3661T	1,226	L1	16.00	104	89.5	230/460	4.1	1, 30	
		1200	213TC	TEFC	CEM3704T	1,488	L1	19.76	141	89.5	230/460	4.6	1, 30
			213TC	TEFC	CEM3764T	1,737	L1	19.20	173	89.5	230/460	4.5	1, 30
		5	3600	184TC	TEFC	CEM3613T	1,050	L1	16.55	78	88.5	230/460	5.9
184TC	TEFC			CEM3663T	1,448	L1	16.00	99	88.5	230/460	5.8	1, 30	
1800	184TC		TEFC	CEM3615T	991	LS	18.05	93	89.5	230/460	6.7	1, 30	
	184TC		TEFC	CEM3665T	1,252	L1	16.00	114	89.5	230/460	6.6	1, 30	
1200	215TC		TEFC	CEM3708T	1,663	L1	20.51	161	89.5	230/460	7.3	1, 30	
	215TC		TEFC	CEM3768T	1,984	L1	19.20	190	89.5	230/460	7.4	1, 30	
7 1/2	3600		184TC	TEFC	CEM3616T	1,362	L1	18.05	101	89.5	230/460	8.4	1, 30
			213TC	TEFC	CEM3709T	1,604	L1	18.63	120	89.5	230/460	9	1, 30
			213TC	TEFC	CEM3769T	1,757	L1	19.20	155	89.5	230/460	9	1, 30
	1800		213TC	TEFC	CEM3710T	1,465	LS	19.76	134	91.7	230/460	9.4	1, 30
		213TC	TEFC	CEM3770T	1,700	L1	19.20	170	91.7	230/460	9.5	1, 30	
		10	3600	215TC	TEFC	CEM3711T	1,624	L1	18.63	121	90.2	230/460	11.8
215TC	TEFC			CEM3771T	2,026	L1	19.20	182	90.2	230/460	11.8	1, 30	
1800	215TC		TEFC	CEM3714T	1,636	LS	21.26	165	91.7	230/460	12	1, 30	
	215TC		TEFC	CEM3774T	1,883	L1	19.20	195	91.7	230/460	12.2	1, 30	
15	3600	215TC	TEFC	CEM3713T	2,234	L1	21.26	182	91	230/460	17	1, 30	
		254TC	TEFC	CEM2394T	3,103	L1	23.78	250	91	230/460	17.5	1, 30	
1800	254TC	TEFC	CEM2333T	2,889	LS	23.78	269	92.4	230/460	18.1	1, 30		
	20	3600	256TC	TEFC	CEM4106T	3,349	L1	23.78	265	91	230/460	23	1, 30
1800		256TC	TEFC	CEM2334T	3,379	L1	23.78	298	93	230/460	24	1, 30	
25	3600	284TSC	TEFC	CEM4107T	4,383	L1	24.71	346	91.7	230/460	29	1, 30	
	1800	284TC	TEFC	CEM4103T	4,431	L1	27.76	400	93.6	230/460	30	1, 30	
30	3600	286TSC	TEFC	CEM4108T	5,062	L1	26.39	389	91.7	230/460	33	1, 30	
	1800	286TC	TEFC	CEM4104T	5,112	L1	27.76	425	93.6	230/460	38	1, 30	
40	3600	324TSC	TEFC	CEM4109T	6,770	L1	28.78	600	92.4	230/460	46	1, 30	
	1800	324TC	TEFC	CEM4110T	6,566	L1	30.28	590	94.1	230/460	48	1, 30	
50	3600	326TSC	TEFC	CEM4114T	7,322	L1	28.78	591	93	230/460	56	1, 30	
	1800	326TC	TEFC	CEM4115T	7,092	L1	30.28	585	94.5	230/460	58	1, 30	
60	3600	364TSC	TEFC	CEM4310T	10,003	L1	31.31	830	93.6	230/460	67.3	1, 30	
	1800	364TC	TEFC	CEM4314T	9,890	L1	33.44	915	95	230/460	68	1, 30	
75	3600	365TSC	TEFC	CEM4313T	11,478	L1	31.31	905	93.6	230/460	83.4	1, 30	
	1800	365TC	TEFC	CEM4316T	11,400	L1	33.44	907	95.4	230/460	84.9	1, 30	
100	1800	405TC	TEFC	CEM4400T	14,166	L1	38.32	1360	95.4	230/460	112	1, 30	
200 Volts													
1/2	1800	56C	TEFC	CM3538-8	473	K	11.35	23	74	200	2.2	12	
1	1800	56C	TEFC	CEM3546-8	766	K	12.23	38	85.5	200	3.5		
575 Volts													
1/3	1800	56C	TEFC	CM3534-5	377	LS	11.35	21	68	575	0.6	13	
1/2	1800	56C	TEFC	CM3538-5	417	LS	11.35	23	74	575	0.8	12	
3/4	1800	56C	TEFC	CM3542-5	443	LS	11.35	26	75.5	575	1.2	12	
1	1800	56C	TEFC	CM3546-5	476	K	11.97	29	78.5	575	1.3	16	
		56C	TEFC	CEM3546-5	766	K	12.23	38	85.5	575	1.2	1	
		143TC	TEFC	CEM3546T-5	776	LS	13.29	37	85.5	575	1.2	1	
		143TC	TEFC	CEM3581T-5	978	L1	13.03	54	85.5	575	1.2	1	
		143TC	TEFC	CEM3583T-5	1,031	L1	13.03	54	84	575	1.5	1	
1 1/2	1800	56C	TEFC	CEM3554-5	848	K	13.23	41	86.5	575	1.8	1	
		145TC	TEFC	CEM3554T-5	858	LS	13.29	42	86.5	575	1.8	1	
		145TC	TEFC	CEM3584T-5	1,012	L1	13.03	63	86.5	575	1.8	1	

(a) See notes on inside back flap.

Cast Iron Frame

Red Catalog Number indicates **NEW** Product.

Three Phase, Totally Enclosed, C-Face, Foot Mounted

Hp	RPM	NEMA Frame	Enclosure	Catalog Number	List Price	Mult. Sym.	"C" Dim.	Aprx. Wt. (lb)	Full Load Efficiency	Voltage	Full Load Amps	Notes (a)
2	3600	145TC	TEFC	CEM3586T-5	1,079	L1	13.05	60	86.5	575	2	1
	1800	56C	TEFC	CEM3558-5	895	K	13.23	45	86.5	575	2.3	1
		145TC	TEFC	CEM3558T-5	905	LS	13.29	47	86.5	575	2.3	1
		145TC	TEFC	CEM3587T-5	1,058	L1	13.03	61	86.5	575	2.3	1
3	3600	145TC	TEFC	CEM3559T-5	909	L1	14.17	52	86.5	575	2.9	1
		182TC	TEFC	CEM3610T-5	954	L1	16.53	58	86.5	575	2.9	1
		182TC	TEFC	CEM3660T-5	1,195	L1	16.00	89	86.5	575	3	1
	1800	182TC	TEFC	CEM3611T-5	962	LS	16.55	75	89.5	575	3.3	1
		182TC	TEFC	CEM3661T-5	1,226	L1	16.00	102	89.5	575	3.3	1
5	3600	184TC	TEFC	CEM3613T-5	1,050	L1	16.55	78	88.5	575	4.7	1
		184TC	TEFC	CEM3663T-5	1,448	L1	16.00	99	88.5	575	4.7	1
	1800	184TC	TEFC	CEM3615T-5	991	LS	18.05	93	89.5	575	5.3	1
		184TC	TEFC	CEM3665T-5	1,252	L1	16.00	113	89.5	575	5.3	1
7 1/2	3600	213TC	TEFC	CEM3769T-5	1,757	L1	19.20	179	89.5	575	7.4	1
	1800	213TC	TEFC	CEM3710T-5	1,465	LS	19.76	129	91.7	575	7.6	1
		213TC	TEFC	CEM3770T-5	1,700	L1	19.20	170	91.7	575	7.5	1
10	3600	215TC	TEFC	CEM3711T-5	1,624	L1	18.63	123	90.2	575	9.5	1
		215TC	TEFC	CEM3771T-5	2,026	L1	19.20	182	90.2	575	9.3	1
	1800	215TC	TEFC	CEM3714T-5	1,636	LS	21.26	165	91.7	575	9.6	1
		215TC	TEFC	CEM3774T-5	1,883	L1	19.20	231	91.7	575	9.8	1
15	3600	215TC	TEFC	CEM3713T-5	2,234	L1	21.26	169	91	575	13.6	1
	1800	254TC	TEFC	CEM2333T-5	2,889	LS	23.78	263	92.4	575	14.6	1
20	1800	256TC	TEFC	CEM2334T-5	3,379	L1	23.78	289	93	575	19.2	1
25	1800	284TC	TEFC	CEM4103T-5	4,431	L1	27.76	401	93.6	575	24	1
30	1800	286TC	TEFC	CEM4104T-5	5,112	L1	27.76	449	93.6	575	31	1

(a) See notes on inside back flap.

■ Cast Iron Frame

Custom induction motors available up to 30,000 Hp. Contact your Baldor•Reliance sales representative for additional information.

General Information
Single Phase Motors
General Purpose Industrial Motors
Severe Duty Motors
Large AC Motors
Washdown Duty Motors
Explosion Proof Motors
Pump Motors
HVAC Motors
Farm Duty Motors

Three Phase, Totally Enclosed, C-Face, Footless

1/4 thru 30 Hp



Features:

- Footless design reduces weight and improves safety
- Locked DE bearing to allow mounting in any configuration
- 60 Hz designs with 50 Hz information on 2,4,6 Pole 1-125 Hp ratings
- Suitable for Inverter use per NEMA MG1 Part 31.4.4.2
- Designed for longevity with a 3 year warranty on premium efficient Super-E® Motors

Applications:

- Fans
- Pumps
- Blowers
- Conveyors
- Compressors
- Industrial Machines
- Other General Purpose Applications

Hp	RPM	NEMA Frame	Enclosure	Catalog Number	List Price	Mult. Sym.	"C" Dim.	Aprx. Wt. (lb)	Full Load Efficiency	Voltage	Full Load Amps	Notes (a)
230/460 Volts												
1/4	1800	56C	TENV	KENM3454	513	K	11.06	26	80	230/460	0.4	30
		56C	TEFC	KM3454	329	K	11.35	19	64	230/460	0.7	12, 30
		56C	TENV	KNM3454	348	K	10.25	18	64	208-230/460	0.7	2, 20
1/3	1200	56C	TEFC	VM3531	503	K	11.35	20	68	230/460	0.7	13, 30
		56C	TENV	KM3457	336	K	10.25	20	72	230/460	0.7	13, 30
	1800	56C	TENV	KNM3457/35	541	K	11.07	29	78.5	230/460	0.5	1, 13, 30, 48
		56C	TENV	KENM3534	566	K	11.06	33	80	230/460	0.6	1, 30, 48
		56C	TENV	KNM3534	385	K	10.25	23	70	208-230/460	0.7	2
		56C	TEFC	VM3534	356	LS	11.35	21	68	230/460	0.8	13, 30
1200	56C	TENV	KENM3535	832	K	11.06	35	81.5	230/460	0.6	1, 30, 48	
	56C	TEFC	VM3535	565	K	11.35	22	70	230/460	0.9	13, 30	
1/2	3600	56C	TEFC	VM3537	386	K	11.35	20	68	230/460	1	12, 30
		56C	TENV	VNM3537	543	K	11.06	32	77	230/460	0.8	1, 12, 48
	1800	56C	TEFC	VEM3538	695	LS	12.23	31	82.5	230/460	0.8	1, 12, 30, 48
		56C	TENV	VENM3538	641	K	11.06	32	84	230/460	0.9	30
		56C	TEFC	VM3538	408	LS	11.35	23	74	230/460	1	12, 30
		56C	TENV	VNM3538	444	K	10.25	22	74	208-230/460	1	2, 20
	1200	56C	TEFC	VM3539	606	K	11.35	24	72	230/460	1.2	12, 30
		56C	TEFC	VM3541	422	K	11.35	21	74	230/460	1.3	12, 30
3/4	3600	56C	TENV	VNM3541	580	K	11.06	36	84	208-230/460	1	12, 48
		56C	TEFC	VEM3542	738	LS	12.23	35	84	230/460	1.1	1, 12, 30
	1800	56C	TENV	VENM3542	700	L1	11.06	33	84	230/460	1.1	1, 30, 48
		56C	TEFC	VM3542	434	LS	11.35	26	75.5	208-230/460	1.5	12
		56C	TENV	VNM3542	450	K	11.75	31	75	230/460	1.3	12, 30
		56C	TEFC	VM3543	620	K	12.85	32	77	208-230/460	1.5	
	1200	143TC	TEFC	VM3543T	620	L1	13.41	33	77	208-230/460	1.5	
		56C	TEFC	VEM3545	669	K	12.24	32	77	230/460	1.4	1, 12, 30
1	3600	56C	TEFC	VM3545	494	K	11.35	23	75.5	230/460	1.8	12, 16, 30
		56C	TEFC	VEM3546	766	LS	12.23	36	85.5	230/460	1.5	1, 30
	1800	56C	TEFC	VEM3581	978	K	12.47	52	85.5	230/460	1.5	1, 30
		56C	TEFC	VM3546	453	LS	11.97	31	78.5	208-230/460	1.7	16
		56C	TENV	VNM3546	531	K	12.06	40	85.5	208-230/460	1.5	1, 16, 48
		56C	TENV	VENM3546	766	K	11.06	38	85.5	230/460	1.5	1, 30
		143TC	TEFC	VEM3546T	776	LS	12.29	36	85.5	230/460	1.5	1, 30
		143TC	TEFC	VEM3581T	978	L1	13.03	54	85.5	230/460	1.5	1, 30
		143TC	TENV	VENM3546T	776	L1	12.12	40	85.5	230/460	1.5	1, 30, 48
		143TC	TENV	VEM3581T	978	L1	11.36	56	85.5	230/460	1.5	1, 30, 48
	1200	56C	TEFC	VM3546T	551	LS	12.29	34	82.5	208-230/460	1.6	16
		56C	TEFC	VEM3556	874	K	13.23	43	82.5	230/460	1.8	1, 30
		56C	TEFC	VM3556	632	K	12.23	36	78.5	208-230/460	1.9	16
		145TC	TEFC	VM3556T	742	L1	13.29	41	80	208-230/460	1.8	16
1200	145TC	TEFC	VEM3556T	884	L1	13.29	41	82.5	230/460	1.8	1, 30	

(a) See notes on inside back flap.

Cast Iron Frame

Red Catalog Number indicates **NEW** Product.

General Information
Single Phase Motors
General Purpose Industrial Motors
Severe Duty Motors
Large AC Motors
Washdown Duty Motors
Explosion Proof Motors
Pump Motors
HVAC Motors
Farm Duty Motors

Three Phase, Totally Enclosed, C-Face, Footless

Hp	RPM	NEMA Frame	Enclosure	Catalog Number	List Price	Mult. Sym.	"C" Dim.	Aprx. Wt. (lb)	Full Load Efficiency	Voltage	Full Load Amps	Notes (a)
1 1/2	3600	56C	TEFC	VEM3550	754	K	12.24	35	84	230/460	1.9	1, 30
		56C	TEFC	VM3550	537	K	11.97	30	80	208-230/460	2.3	16
		143TC	TEFC	VM3550T	623	L1	12.29	37	82.5	208-230/460	2.1	16
		143TC	TEFC	VEM3550T	764	L1	12.29	38	84	230/460	1.9	30
	1800	56C	TEFC	VEM3554	848	LS	13.23	42	86.5	230/460	2.2	1, 30
		56C	TEFC	VM3554	509	LS	12.23	36	81.5	208-230/460	2.3	16
		145TC	TEFC	VEM3554T	858	LS	13.29	41	86.5	230/460	2.2	1, 30
		145TC	TEFC	VEM3584T	1,012	L1	13.03	60	86.5	230/460	2.3	1, 30
	1200	143TC	TEFC	VM3554T	561	LS	13.29	38	84	208-230/460	2.4	16
		56C	TEFC	VM3557	722	K	14.10	48	80	208-230/460	2.5	2, 16, 20
		56C	TEFC	VEM3557	903	K	15.62	72	87.5	230/460	2.4	1, 30
		145TC	TEFC	VM3557T	775	L1	15.56	63	85.5	208-230/460	2.7	2, 16, 20
2	3600	145TC	TEFC	VEM3557T	913	L1	15.68	72	87.5	230/460	2.4	1, 30
		56C	TEFC	VEM3555	823	K	13.24	43	85.5	230/460	2.5	1, 30
		56C	TEFC	VM3555	598	K	12.85	33	80	208-230/460	2.9	16
		143TC	TEFC	VM3555T	710	L1	13.29	43	84	208-230/460	2.6	16
	1800	143TC	TEFC	VEM3555T	833	L1	12.29	41	85.5	230/460	2.5	30
		56C	TEFC	VEM3558	895	LS	13.23	46	86.5	230/460	2.9	1, 30
		56C	TEFC	VM3558	546	LS	13.23	41	82.5	208-230/460	3	16
		145TC	TEFC	VEM3558T	905	LS	13.29	47	86.5	230/460	2.9	1, 30
	1200	145TC	TEFC	VEM3587T	1,058	L1	13.03	59	86.5	230/460	2.9	1, 30
		145TC	TEFC	VM3558T	589	LS	13.29	41	84	208-230/460	3.1	16
		184TC	TEFC	VM3614T	938	L1	16.55	75	86.5	208-230/460	3.4	16
		184TC	TEFC	VEM3614T	1,109	L1	18.05	91	88.5	230/460	3.3	1, 30
3	3600	184TC	TEFC	VEM3664T	1,336	L1	15.98	113	88.5	230/460	3.2	1, 30
		56C	TEFC	VM3559	693	K	13.23	46	82.5	208-230/460	3.8	1, 16
		56C	TEFC	VEM3559	899	K	14.10	50	86.5	230/460	3.6	1, 30
		145TC	TEFC	VM3559T	810	L1	13.29	48	85.5	208-230/460	3.8	1, 16
	1800	145TC	TEFC	VEM3559T	909	L1	14.17	50	86.5	230/460	3.6	1, 30
		182TC	TEFC	VEM3610T	954	L1	15.18	50	86.5	230/460	3.6	1, 30
		182TC	TEFC	VM3610T	887	L1	14.30	53	85.5	208-230/460	3.8	1, 16
		56C	TEFC	VM3561	726	K	14.10	51	85.5	208-230/460	4.1	1, 16
	1200	56C	TEFC	VEM3561	868	K	15.62	70	89.5	230/460	4.2	1, 30
		145TC	TEFC	VM3561T	784	L1	15.56	60	87.5	208-230/460	4.2	1, 16
		145TC	TEFC	VEM3561T	878	L1	15.68	70	89.5	230/460	4.2	1, 30
		182TC	TEFC	VM3611T	962	LS	16.55	73	89.5	230/460	4.2	1, 30
182TC		TEFC	VEM3661T	1,226	L1	16.00	98	89.5	230/460	4.1	1, 30	
182TC		TEFC	VM3611T	711	LS	16.55	63	87.5	208-230/460	4.2	1, 16	
182TC		TEFC	VEM3661T	1,146	L1	15.98	96	87.5	208-230/460	4.4	1, 16	
213TC		TEFC	VM3704T	1,230	L1	18.63	109	87.5	208-230/460	4.6	1, 16	
5	3600	213TC	TEFC	VEM3704T	1,488	L1	19.76	132	89.5	230/460	4.6	1, 30
		184TC	TEFC	VM3613T	1,050	L1	16.55	75	88.5	230/460	5.9	1, 30
		184TC	TEFC	VEM3613T	1,010	L1	16.55	70	87.5	208-230/460	5.8	1, 16
		184TC	TEFC	VM3663T	1,389	L1	15.99	90	87.5	208-230/460	5.9	1, 16
	1800	184TC	TEFC	VEM3663T	1,448	L1	15.98	99	88.5	230/460	6.3	1, 30
		184TC	TEFC	VM3615T	991	LS	18.05	88	89.5	230/460	6.7	1, 30
		184TC	TEFC	VEM3665T	1,252	L1	16.00	109	89.5	230/460	6.6	1, 30
		184TC	TEFC	VM3615T	814	LS	16.55	77	87.5	208-230/460	6.8	1, 16
	1200	184TC	TEFC	VEM3665T	1,163	L1	15.98	100	87.5	208-230/460	6.9	1, 16
		215TC	TEFC	VM3708T	1,455	L1	19.76	129	87.5	208-230/460	7.5	1, 16
		215TC	TEFC	VEM3708T	1,663	L1	21.26	149	90.2	230/460	7.4	8, 30
		184TC	TEFC	VM3616T	1,215	L1	18.05	88	88.5	208-230/460	8.7	2, 16, 20
7 1/2	3600	184TC	TEFC	VEM3616T	1,362	L1	18.05	96	89.5	230/460	8.1	1, 30
		213TC	TEFC	VM3709T	1,527	L1	18.56	93	88.5	208-230/460	8.7	1, 16
		213TC	TEFC	VEM3709T	1,604	L1	18.56	96	89.5	230/460	8.1	1, 30
		213TC	TEFC	VM3710T	1,465	L1	19.76	129	91.7	230/460	9.4	1, 30
	1800	213TC	TEFC	VEM3770T	1,700	L1	19.20	170	91.7	230/460	9.5	1, 30
		213TC	TEFC	VM3710T	1,086	LS	18.63	114	89.5	208-230/460	10.1	1, 16
		213TC	TEFC	VEM3770T	1,609	L1	19.25	164	89.5	208-230/460	10.3	1, 16

(a) See notes on inside back flap. Cast Iron Frame
 Red Catalog Number indicates **NEW** Product.

Three Phase, Totally Enclosed, C-Face, Footless

Hp	RPM	NEMA Frame	Enclosure	Catalog Number	List Price	Mult. Sym.	"C" Dim.	Aprx. Wt. (lb)	Full Load Efficiency	Voltage	Full Load Amps	Notes (a)
10	3600	215TC	TEFC	VM3711T	1,588	L1	18.63	114	89.5	208-230/460	12	1, 16
		215TC	TEFC	VEM3711T	1,624	L1	18.63	125	90.2	230/460	12.1	1, 30
	1800	215TC	TEFC	VEM3714T	1,636	L1	21.26	165	91.7	230/460	12	1, 30
		215TC	TEFC	VEM3774T	1,883	L1	19.20	197	91.7	230/460	12.2	1, 30
		215TC	TEFC	VM3714T	1,293	LS	19.76	131	89.5	208-230/460	13.5	1, 16, 20
		215TC	TEFC	VM3774T	1,717	L1	19.25	169	89.5	208-230/460	13	1, 16
		256TC	TEFC	VM2332T	2,685	L1	23.80	283	89.5	230/460	14.4	1, 16, 30
	1200	256TC	TEFC	VEM2332T	3,492	L1	23.80	322	91	230/460	14.1	1, 30
		215TC	TEFC	VM3713T	1,983	L1	20.51	160	90.2	208-230/460	17.3	2, 16, 20
	15	3600	215TC	TEFC	VEM3713T	2,234	L1	20.51	170	91	230/460	17
254TC			TEFC	VM2394T	2,779	L1	20.32	225	90.2	208-230/460	17.2	1, 16
254TC			TEFC	VEM2394T	3,103	L1	20.32	225	91	230/460	16.9	1, 30
254TC			TEFC	VM2333T	2,515	LS	23.32	236	91	208-230/460	18.5	1, 16
1800		254TC	TEFC	VEM2333T	2,889	L1	23.80	268	92.4	230/460	18.1	1, 30
		256TC	TEFC	VM4106T	3,009	L1	23.32	255	90.2	208-230/460	23	1, 16
		256TC	TEFC	VEM4106T	3,349	L1	23.80	229	91	230/460	23	1, 30
		256TC	TEFC	VM2334T	2,944	LS	23.32	240	91	230/460	25	1, 16, 30
20	3600	256TC	TEFC	VEM2334T	3,379	L1	23.80	303	93	230/460	24	1, 30
		284TSC	TEFC	VM4107T	3,862	L1	22.40	300	91	230/460	28	1, 16, 30
		284TSC	TEFC	VEM4107T	4,383	L1	22.40	283	91.7	230/460	29	1, 30
	1800	284TC	TEFC	VM4103T	3,693	LS	23.65	322	92.4	230/460	30	1, 16, 30
		284TC	TEFC	VEM4103T	4,431	L1	27.76	425	93.6	230/460	30	1, 30
		286TSC	TEFC	VM4108T	4,139	L1	22.40	313	91	208-230/460	34	1, 16
30	3600	286TSC	TEFC	VEM4108T	5,062	L1	22.40	299	91.7	230/460	68	1, 30
		286TC	TEFC	VM4104T	3,765	LS	27.76	418	92.4	230/460	37	1, 16, 30
	1800	286TC	TEFC	VEM4104T	5,112	L1	27.76	286	93.6	230/460	38	1, 30
		575 Volts										
1/3	1800	56C	TEFC	VM3534-5	356	LS	11.35	21	68	575	0.6	13
1/2	3600	56C	TEFC	VM3537-5	386	K	11.35	19	68	575	0.8	12
	1800	56C	TEFC	VM3538-5	408	LS	11.35	22	74	575	0.8	12
3/4	3600	56C	TEFC	VM3541-5	422	K	11.35	21	74	575	1	12
	1800	56C	TEFC	VM3542-5	434	LS	11.35	26	75.5	575	1.2	12
1	3600	56C	TEFC	VEM3545-5	669	K	11.97	27	77	575	1.2	
		56C	TEFC	VM3545-5	494	K	11.35	23	75.5	575	1.4	12, 16
	1800	56C	TEFC	VEM3546-5	766	LS	12.23	35	85.5	575	1.2	
		56C	TEFC	VM3546-5	453	LS	12.23	31	75.5	575	1.5	16
		143TC	TEFC	VEM3546T-5	776	LS	12.29	36	85.5	575	1.2	
		143TC	TEFC	VEM3581T-5	978	L1	13.03	53	85.5	575	1.2	1
1 1/2	3600	56C	TEFC	VEM3550-5	754	K	12.23	38	84	575	1.5	
		143TC	TEFC	VEM3550T-5	764	L1	12.29	35	84	575	1.5	
	1800	56C	TEFC	VEM3554-5	848	K	14.10	50	88.5	575	1.7	
		145TC	TEFC	VEM3554T-5	858	LS	13.29	41	86.5	575	1.8	
		145TC	TEFC	VEM3584T-5	1,012	L1	13.03	58	86.5	575	1.8	1
		145TC	TEFC	VM3554T-5	561	LS	13.29	39	84	575	1.9	16
2	3600	56C	TEFC	VEM3555-5	823	K	13.23	41	85.5	575	2	
		56C	TEFC	VM3555-5	598	K	12.85	33	80	575	2.2	16
	1800	56C	TEFC	VEM3558-5	895	K	13.23	45	86.5	575	2.3	
		56C	TEFC	VM3558-5	546	LS	13.23	40	82.5	575	2.4	16
		145TC	TEFC	VEM3558T-5	905	LS	13.29	46	86.5	575	2.3	
		145TC	TEFC	VEM3587T-5	1,058	L1	13.03	60	86.5	575	2.3	1
3	3600	145TC	TEFC	VM3558T-5	589	LS	13.31	38	84	575	2.5	16
		56C	TEFC	VEM3559-5	899	K	14.10	50	86.5	575	2.9	
		182TC	TEFC	VEM3610T-5	954	L1	15.18	53	86.5	575	2.9	
	1800	182TC	TEFC	VM3610T-5	887	L1	15.18	56	85.5	575	3	1, 16
		182TC	TEFC	VEM3611T-5	962	L1	16.55	71	89.5	575	3.3	
		182TC	TEFC	VM3661T-5	1,226	L1	16.00	98	89.5	575	3.3	1
	1800	182TC	TEFC	VEM3611T-5	711	LS	16.55	63	87.5	575	3.3	1, 16

(a) See notes on inside back flap.

Cast Iron Frame

Red Catalog Number indicates NEW Product.

Three Phase, Totally Enclosed, C-Face, Footless

Hp	RPM	NEMA Frame	Enclosure	Catalog Number	List Price	Mult. Sym.	"C" Dim.	Aprx. Wt. (lb)	Full Load Efficiency	Voltage	Full Load Amps	Notes (a)
5	3600	184TC	TEFC	VEM3613T-5	1,050	L1	16.55	74	88.5	575	4.7	
		184TC	TEFC	VM3613T-5	1,010	L1	16.55	73	87.5	575	4.8	1, 16
	1800	184TC	TEFC	VEM3615T-5	991	L1	18.05	88	89.5	575	5.3	
		184TC	TEFC	VEM3665T-5	1,252	L1	16.00	110	89.5	575	5.3	1
		184TC	TEFC	VM3615T-5	814	LS	16.55	75	87.5	575	5.5	1, 16
7 1/2	3600	213TC	TEFC	VEM3709T-5	1,604	L1	19.28	101	89.5	575	6.8	
		213TC	TEFC	VM3709T-5	1,527	L1	19.28	91	88.5	575	7	1, 16
	1800	213TC	TEFC	VEM3710T-5	1,465	L1	19.76	123	91.7	575	7.6	
		213TC	TEFC	VM3770T-5	1,700	L1	19.20	170	91.7	575	7.5	1
		213TC	TEFC	VM3710T-5	1,086	LS	18.63	114	89.5	575	8.1	1, 16
10	3600	215TC	TEFC	VEM3711T-5	1,624	L1	18.63	118	90.2	575	9.5	
		215TC	TEFC	VM3711T-5	1,588	L1	18.63	115	89.5	575	9.6	1, 16
	1800	215TC	TEFC	VEM3714T-5	1,636	L1	21.26	165	91.7	575	9.6	
		215TC	TEFC	VM3774T-5	1,883	L1	19.20	231	91.7	575	9.8	
		215TC	TEFC	VM3714T-5	1,293	LS	19.76	127	89.5	575	10.8	1, 16
15	3600	215TC	TEFC	VEM3713T-5	2,234	L1	21.26	169	91	575	13.6	
		215TC	TEFC	VM3713T-5	1,983	L1	20.51	170	90.2	575	13.8	1, 16
	1800	254TC	TEFC	VEM2333T-5	2,889	L1	23.80	266	92.4	575	14.6	
		254TC	TEFC	VM2333T-5	2,515	LS	23.80	271	91	575	14.5	1, 16
20	1800	256TC	TEFC	VEM2334T-5	3,379	L1	23.80	296	93	575	19.2	
		256TC	TEFC	VM2334T-5	2,944	LS	23.80	271	91	575	19.3	1, 16

(a) See notes on inside back flap.

■ Cast Iron Frame

Red Catalog Number indicates **NEW** Product.

Custom induction motors available up to 30,000 Hp. Contact your Baldor•Reliance sales representative for additional information.

General Information
Single Phase Motors
General Purpose Industrial Motors
Severe Duty Motors
Large AC Motors
Washdown Duty Motors
Explosion Proof Motors
Pump Motors
HVAC Motors
Farm Duty Motors

Three Phase, Open Drip Proof, Foot Mounted

1/4 thru 3 Hp



Features:

- Suitable for Inverter use per NEMA MG1 Part 31.4.4.2
- 60 Hz designs with 50 Hz information on 2,4,6 Pole 1-125 Hp ratings
- Designed for longevity with a 3 year warranty on premium efficient Super-E® Motors
- Optimized airflow design providing higher horse power in a smaller package

Applications:

- Fans
- Pumps
- Blowers
- Conveyors
- Compressors
- Industrial Machines
- Other General Purpose Applications

Hp	RPM	NEMA Frame	Catalog Number	List Price	Mult. Sym.	"C" Dim.	Aprx. Wt. (lb)	Full Load Efficiency	Voltage	Full Load Amps	Notes (a)	
230/460 Volts												
1/4	1800	48	EM30003	427	K	9.62	21	69.5	230/460	0.5	13, 15, 30	
	1200	48	EM30004	472	K	9.13	24	67.5	230/460	0.7	13, 15, 30	
		56	EM31101	472	K	10.25	24	67.5	230/460	0.7	13, 15, 30	
1/3	3600	48	EM30006	448	K	9.62	22	69.5	230/460	0.6	13, 15, 30	
		48	EM30007	451	K	9.13	24	73.4	230/460	0.7	13, 15, 30	
	1800	56	EM31104	451	K	10.25	24	73.4	230/460	0.7	13, 15, 30	
		48	EM30008	494	K	9.75	27	71.4	230/460	0.9	13, 15, 30	
	1200	56	EM31105	494	K	10.88	27	71.4	230/460	0.9	13, 15, 30	
		48	EM30009	482	K	9.62	24	73.4	230/460	0.8	12, 15, 30	
1/2	3600	56	EM31107	482	K	10.25	24	73.4	230/460	0.8	12, 15, 30	
		48	EM30010	497	K	11.12	31	78.2	230/460	0.8	12, 15, 30	
	1800	56	EM31108	497	K	11.75	31	78.2	230/460	0.8	12, 15, 30	
		56	M3108A	464	K	10.25	22	74	230/460	1	12, 30, 96	
	1200	48	EM30011	543	K	10.63	34	75.3	230/460	1	12, 15, 30	
		56	EM31109	543	K	11.75	34	75.3	230/460	1	12, 15, 30	
	900	56	M3160	825	K	12.07	38	70	230/460	1.3		
	3/4	3600	48	EM30012	480	K	9.13	22	76.8	230/460	1.2	12, 15, 30
			56	EM31111	480	K	10.25	24	76.8	230/460	1.2	12, 15, 30
		1800	56	EM31112	547	K	11.07	32	81.1	230/460	1	12, 15, 30
56			M3112A	507	K	11.25	26	74	230/460	1.5	12, 30, 96	
1200		56	EM31153	668	K	12.07	39	81.7	230/460	1.3	1, 15, 30	
		143T	M3153T	586	L1	12.32	33	77	230/460	1.5	30	
1	3600	56	EM31115	492	K	10.88	27	77	230/460	1.6	12, 15, 30	
		56	EM31116	576	K	11.07	29	83.5	230/460	1.5	1, 15, 30	
	1800	56	M3116A	564	K	11.75	28	78.5	230/460	2	30, 96	
		143T	EM3116T	711	LS	11.12	34	85.5	230/460	1.5	1, 30	
	1200	56H	EM31156	842	K	11.75	41	82.5	230/460	1.8	1, 15, 30	
		145T	EM3156T	727	L1	11.62	36	82.5	230/460	1.8	1, 30	
	900	182T	M3216T	1,036	L1	13.62	60	74	230/460	2.2	16, 30	
		182T	EM3216T	1,192	L1	15.00	65	75.5	230/460	2.1	1, 30	
	1 1/2	3600	56	EM31120	508	K	11.07	34	84	230/460	2	1, 15, 30
			143T	EM3120T	612	L1	11.12	33	84	230/460	2	1, 30
1800		56	EM31154	631	K	12.07	36	86.5	230/460	2.2	1, 15, 30	
		56	EM31154A	698	K	12.07	41	86.5	230/460	2.2	1, 15, 30	
145T		EM3154T	743	LS	11.62	37	86.5	230/460	2.2	1, 30		
		56H	EM31159	810	K	14.00	54	84	230/460	2.6	1, 15, 30	
1200		182T	EM3207T	851	L1	15.00	66	86.5	230/460	2.5	1, 30	
		184T	M3220T	1,259	L1	15.00	68	75.5	230/460	3	1, 16	
2	3600	184T	EM3220T	1,448	L1	16.50	82	78.5	230/460	3	1, 30	
		56	EM31155	572	K	12.07	43	85.5	230/460	2.6	1, 15, 30	
	1800	143T	EM3155T	718	L1	11.62	41	85.5	230/460	2.5	1, 30	
		145T	EM3157TA	876	L1	12.13	44	86.5	230/460	2.9	1, 30	
	145T	EM31157	662	K	12.63	45	86.5	230/460	3	1, 15, 30		
		EM3157T	796	LS	12.12	40	86.5	230/460	2.9	1, 30		
	1200	184T	EM3215T	870	L1	16.50	79	87.5	230/460	3.4	1, 30	
	900	213T	EM3303T	1,788	L1	17.45	111	86.5	230/460	3.5	1, 30	

(a) See notes on inside back flap.

Red Catalog Number indicates **NEW** Product.

General Information

Single Phase Motors

General Purpose Industrial Motors

Severe Duty Motors

Large AC Motors

Washdown Duty Motors

Explosion Proof Motors

Pump Motors

HVAC Motors

Farm Duty Motors

Three Phase, Open Drip Proof, Foot Mounted

Hp	RPM	NEMA Frame	Catalog Number	List Price	Mult. Sym.	"C" Dim.	Aprx. Wt. (lb)	Full Load Efficiency	Voltage	Full Load Amps	Notes (a)
3	3600	56H	EM31158	641	K	11.75	50	85.5	230/460	3.8	1, 15, 30
		145T	EM3158T	727	L1	13.00	46	85.5	230/460	3.8	1, 30
	1800	182T	EM3211T	858	LS	15.00	69	89.5	230/460	4.2	1, 30
		182T	EM3211TA	938	L1	15.00	65	89.5	230/460	4.4	1, 30
	1200	213T	EM3305T	1,107	L1	16.32	119	88.5	230/460	4.5	1, 30
900	215T	M3306T	1,791	L1	17.45	137	86.5	230/460	5.2	16	
5	3600	182T	EM3212T	794	L1	13.62	61	86.5	230/460	6	1, 30
	1800	184T	EM3218T	940	LS	16.50	84	89.5	230/460	6.6	1, 30
		184T	EM3218TA	1,020	L1	16.50	84	89.5	230/460	6.6	1, 30
	1200	215T	EM3309T	1,451	L1	17.45	139	89.5	230/460	7.4	1, 30
	900	254T	M2504T	2,503	L1	21.69	220	87.5	230/460	8	16
254T		EM2504T	2,879	L1	23.19	240	88.5	230/460	7.6	1, 30	
7 1/2	3600	184T	EM3219T	1,259	L1	15.00	74	88.5	230/460	8.6	1, 30
	1800	213T	EM3311T	1,381	LS	16.32	115	91	230/460	9.7	1, 30
	1200	254T	EM2506T	1,739	L1	23.19	239	90.2	230/460	11	1, 30
	900	256T	M2508T	3,133	L1	23.19	232	88.5	230/460	11.4	1, 16
		256T	EM2508T	3,603	L1	23.19	260	89.5	230/460	11.7	1, 30
10	3600	213T	EM3312T	1,440	L1	16.32	121	89.5	230/460	12	1, 30
	1800	215T	EM3313T	1,672	LS	17.45	128	91.7	230/460	12.5	1, 30
	1200	256T	EM2511T	2,263	L1	23.19	255	91.7	230/460	14.3	1, 30
15	3600	215T	EM3314T	2,045	L1	16.32	124	90.2	230/460	17.5	1, 30
	1800	254T	EM2513T	2,367	LS	21.69	211	93	230/460	17.7	1, 30
		254T	EM2513T-CI	2,253	L1	20.63	238	93	230/460	17.8	1, 30
	1200	284T	EM2524T	3,051	L1	23.81	278	91.7	230/460	20.5	1, 30
20	3600	254T	EM2514T	2,402	L1	21.69	191	91	230/460	23.5	1, 30
	1800	256T	EM2515T	2,597	L1	21.69	225	93	230/460	23.5	1, 30
		256T	EM2515T-12	2,943	L1	21.69	225	93	230/460	23.5	1, 25, 30
		256T	EM2515T-CI	2,831	L1	22.38	281	93	230/460	24	1, 30
	1200	286T	EM2528T	3,713	L1	23.81	302	92.4	230/460	27	1, 30
25	3600	256T	EM2516T	2,884	L1	21.69	222	91.7	230/460	28	1, 30
	1800	284T	EM2531T	3,166	L1	25.06	331	93.6	230/460	30	1, 30
		284T	EM2531T-12	3,715	L1	25.06	307	93.6	230/460	30	1, 25, 30
		284T	EM2531T-CI	3,451	L1	23.44	382	93.6	230/460	31	1, 30
	1200	324T	EM2532T	4,485	L1	27.69	411	93	230/460	34	1, 30
30	3600	284TS	EM2534T	3,404	L1	22.44	308	91.7	230/460	35	1, 30
	1800	286T	EM2535T	3,462	L1	25.06	335	94.1	230/460	35	1, 30
		286T	EM2535T-12	4,011	L1	25.06	339	94.1	230/460	35	1, 25, 30
		286T	EM2535T-CI	3,773	L1	24.94	240	94.1	230/460	35	1, 30
	1200	326T	EM2536T	4,678	L1	28.69	380	93.6	230/460	38	1, 30
40	3600	286TS	EM2538T	4,385	L1	22.44	329	92.4	230/460	46	1, 30
		286TS	EM2538T-CI	4,780	L1	23.57	402	92.4	230/460	46	1, 30
	1800	324T	EM2539T	4,516	L1	27.19	396	94.1	230/460	49	1, 30
		324T	EM2539T-12	5,367	L1	27.19	397	94.1	230/460	47	1, 25, 30
		324T	EM2539T-CI	4,923	L1	26.13	538	94.1	230/460	46	1, 30
	1200	364T	EM2540T	6,327	L1	29.81	598	94.1	230/460	51	1, 30
364T		EM2540T-CI	6,664	L1	29.70	801	94.1	230/460	49.4	1, 30	
50	3600	324TS	EM2542T	4,776	L1	25.69	394	93	230/460	56	1, 30
		324TS	EM2542T-CI	5,416	L1	24.62	548	93	230/460	56	1, 30
	1800	326T	EM2543T	4,983	L1	27.69	467	94.5	230/460	57	1, 30
		326T	EM2543T-12	5,834	L1	27.69	468	94.5	230/460	61	1, 25, 30
		326T	EM2543T-CI	5,433	L1	27.63	570	94.5	230/460	57	1, 30
		326TS	EM2543TS-12	5,834	L1	26.19	469	94.5	230/460	61	1, 25, 30
	1200	365T	EM2544T	7,641	L1	33.72	762	94.1	230/460	62	1, 30
		365T	EM2544T-CI	8,068	L1	29.70	722	94.1	230/460	60.3	1, 30

(a) See notes on inside back flap.

Cast Iron Frame

Red Catalog Number indicates NEW Product.

Three Phase, Open Drip Proof, Foot Mounted

Hp	RPM	NEMA Frame	Catalog Number	List Price	Mult. Sym.	"C" Dim.	Aprx. Wt. (lb)	Full Load Efficiency	Voltage	Full Load Amps	Notes (a)
60	3600	326TS	EM2546T	6,043	L1	25.19	458	93.6	230/460	68	1, 30
	1800	364T	EM2547T	6,274	L1	30.69	615	95	230/460	68	1, 30
		364T	EM2547T-12	7,612	L1	30.69	620	95	230/460	68	1, 25, 30
		364T	EM2547T-CI	6,838	L1	29.70	745	95	230/460	69.5	1, 30
		364TS	EM2547TS-12	7,612	L1	28.56	613	95	230/460	68	1, 25, 30
	1200	404T	EM2548T	9,413	L1	34.47	888	94.5	230/460	76	1, 30
404T		EM2548T-4CI	10,242	L1	34.00	1009	95	460	70.4	1	
75	3600	364TS	EM2549T	7,926	L1	25.81	502	93.6	230/460	82	1, 30
	1800	365T	EM2551T	7,701	L1	33.72	744	95	230/460	87	1, 30
		365T	EM2551T-12	9,039	L1	33.72	758	95	230/460	85	1, 25
		365T	EM2551T-CI	8,392	L1	29.70	762	95	230/460	86.5	1, 30
		365TS	EM2551TS-12	9,039	L1	31.59	749	95	230/460	85	1, 25
1200	405T	EM2552T-4	11,403	L1	34.00	1067	95	460	86.9	1, 25	
100	3600	365TS	EM2550T	8,473	L1	27.81	562	93.6	230/460	110	1, 30
	1800	404T	EM2555T	8,959	L1	34.47	930	95.4	230/460	118	1, 30
		404T	EM2555T-12	10,902	L1	36.97	946	95.4	230/460	118	1, 25
		404T	EM2555T-4	8,959	L1	36.97	896	95.4	460	115	1, 25
		404T	EM2555T-CI	9,765	L1	34.00	1038	95.4	230/460	115	1, 30
		404TS	EM2555TS-12	10,902	L1	33.97	941	95.4	230/460	118	1, 25
1200	444T	EM2583T-4	12,551	L1	39.56	1455	95	460	116	1, 25	
125	3600	404TS	EM2554T-4	10,633	L1	31.85	894	94.1	460	143	1, 25
		404TS	EM2554T-4CI	12,687	L1	31.00	997	95	460	143	1
	1800	405T	EM2559T-4	10,991	L1	34.47	955	95.4	460	143	1, 25
		405T	EM2559T-4CI	11,978	L1	34.00	1118	95.4	460	141	1
		405TS	EM2559TS-4	10,991	L1	34.97	1238	95.4	460	143	1, 25
1200	445T	EM2557T-4	13,555	L1	39.71	1513	95	460	146	1, 25	
150	3600	405TS	EM2556T-4	13,117	L1	31.85	980	94.1	460	166	1, 25
	1800	444T	EM2558T-4	12,208	L1	39.71	1528	96.2	460	170	1, 25
		444TS	EM2558TS-4	12,208	L1	35.96	1519	96.2	460	170	1
	1200	445T	EM2560T-4	15,963	L1	39.71	1572	95.4	460	175	1, 25
200	3600	444TS	EM2562T-4	14,864	L1	35.88	1364	95.4	460	221	1, 25
	1800	445T	EM2563T-4	15,256	L1	39.56	1625	95.8	460	222	1, 25
	1200	447T	EM2564T-4	20,984	L1	43.06	1827	95.4	460	232	1, 25
250	3600	445TS	M2565T-4	15,162	L1	35.81	1389	94.5	460	286	1, 16, 25
		445TS	EM2565T-4	17,437	L1	35.81	1539	95.4	460	274	1, 25
	1800	447T	EM25254T-4	17,108	L1	43.06	2036	96.2	460	275	1, 25
		445T	M2566T-4	15,095	L1	39.56	1633	95.4	460	274	1, 16, 25
300	3600	445TS	M2568T-4	23,699	L1	35.81	1456	95	460	345	1, 16, 25
		445TS	EM2568T-4	27,254	L1	35.88	1539	95.8	460	324	1, 25
	1800	447T	M25694T-4	23,052	L1	43.06	1990	95.4	460	344	1, 16, 25
		449T	EM25694T-4	26,089	L1	48.06	2151	95.8	460	331	1, 25
350	3600	445TS	M2571T-4	27,121	L1	35.81	1565	95	460	398	1, 16, 25
		449TS	EM2571T-4	31,190	L1	44.31	4000	95.4	460	380	1, 25
	1800	449T	M2572T-4	26,796	L1	48.06	2332	96.2	460	382	1, 16, 25, 63
		449T	EM2572T-4	30,816	L1	48.12	2694	96.2	460	382	1, 25, 63
400	3600	449TS	M25402T-4	31,819	L1	44.31	2155	96.2	460	431	1, 16, 25, 63
		449TS	EM25402T-4	36,592	L1	44.31	4000	96.2	460	431	1, 25, 63
	1800	449T	M25404T-4	29,082	L1	48.06	2413	96.2	460	437	1, 16, 25, 63
		449T	EM25404T-4	33,445	L1	48.12	2677	96.2	460	437	1, 25, 63
450	3600	449TS	EM25452T-4	40,294	L1	44.31	4000	96.2	460	494	1, 25, 63
	1800	449T	M25454T-4	32,890	L1	48.06	2479	96.2	460	507	2, 16, 20, 25, 63
		449T	EM25454T-4	37,824	L1	48.12	2888	96.2	460	507	1, 25, 63

(a) See notes on inside back flap.

Cast Iron Frame

Red Catalog Number indicates **NEW** Product.

Three Phase, Open Drip Proof, Foot Mounted

Hp	RPM	NEMA Frame	Catalog Number	List Price	Mult. Sym.	"C" Dim.	Aprx. Wt. (lb)	Full Load Efficiency	Voltage	Full Load Amps	Notes (a)
200 Volts											
1	1800	143T	EM3116T-8	711	L1	11.12	34	85.5	200	3.5	1, 68
		143T	M3116T-8	444	L1	11.12	32	82.5	200	3.6	16, 68
1 1/2	1800	145T	EM3154T-8	747	L1	11.62	37	86.5	200	5.1	1, 68
		145T	M3154T-8	522	L1	11.12	34	84	200	5.5	16, 68
2	1800	145T	EM3157T-8	804	L1	12.12	40	86.5	200	6.5	1, 68
		145T	M3157T-8	530	L1	11.62	38	84	200	7.3	16, 68
3	3600	145T	EM3158T-8	738	L1	13.00	51	85.5	200	8.5	1, 68
		145T	M3158T-8	615	L1	12.13	45	84	200	8.8	16, 68
	1800	182T	EM3211T-8	870	L1	15.00	71	89.5	200	9.7	1, 68
		182T	M3211T-8	552	L1	14.63	57	86.5	200	9.4	1, 16, 68
5	3600	182T	EM3212T-8	809	L1	15.00	69	90.2	200	12.8	1, 68
		184T	EM3218T-8	956	L1	16.50	84	89.5	200	15.3	1, 68
	1800	184T	M3218T-8	612	L1	15.00	71	87.5	200	16.4	1, 16, 68
7 1/2	3600	184T	EM3219T-8	1,278	L1	15.00	77	88.5	200	20	1, 68
		184T	M3219T-8	873	L1	15.00	69	87.5	200	19.8	1, 16, 68
	1800	213T	EM3311T-8	1,401	L1	16.32	114	91	200	22.2	1, 68
		213T	M3311T-8	866	L1	17.00	96	88.5	200	23	16, 68
10	3600	213T	EM3312T-8	1,463	L1	16.32	121	89.5	200	27.3	1, 68
		215T	EM3313T-8	1,696	L1	17.45	129	91.7	200	29.5	1, 68
	1800	215T	M3313T-8	1,060	L1	16.32	116	89.5	200	30.8	16, 68
15	3600	215T	EM3314T-8	2,071	L1	17.45	131	91.7	200	40	1, 68
		215T	M3314T-8	1,599	L1	16.32	117	89.5	200	41.5	1, 16, 68
	1800	254T	EM2513T-8	2,394	L1	21.69	209	93	200	40.7	1, 68
		254T	M2513T-8	1,602	L1	19.75	155	91	200	43	1, 16, 68
20	3600	254T	EM2514T-8	2,431	L1	21.69	190	91	200	53	1, 24, 69
		256T	M2514T-8	2,045	L1	21.69	194	90.2	200	54	16, 24, 69
	1800	256T	EM2515T-8	2,627	L1	21.69	227	93	200	54.3	1, 24, 69
		256T	M2515T-8	2,062	L1	22.25	197	91	200	58	16, 69
25	3600	256T	EM2516T-8	2,916	L1	21.69	220	91.7	200	65	1, 24, 69
		256T	M2516T-8	2,474	L1	21.69	189	91	200	68	16, 24, 69
	1800	284T	EM2531T-8	3,199	L1	25.06	333	93.6	200	70	1, 24, 69
30	3600	284TS	EM2534T-8	3,439	L1	22.44	320	93.6	200	78	1, 24, 69
		286T	EM2535T-8	3,498	L1	25.06	278	94.1	200	81	1, 24, 69
	1800	286T	M2535T-8	2,922	L1	24.94	282	92.4	200	83	16, 24, 69
40	3600	286TS	EM2538T-8	4,423	L1	22.44	362	92.4	200	105	1, 24, 69
		286TS	M2538T-8	3,685	L1	23.56	259	91.7	200	104	16, 24, 69
	1800	324T	EM2539T-8	4,555	L1	27.19	434	94.1	200	109	1, 24, 69
		324T	M2539T-8	3,725	L1	26.19	351	93	200	113	16, 24, 69
50	3600	324TS	EM2542T-8	4,817	L1	25.69	375	93	200	129	1, 21, 69
		326T	EM2543T-8	5,025	L1	27.69	467	94.5	200	132	1, 24, 69
	1800	326T	M2543T-8	4,372	L1	27.19	383	93	200	140	16, 24, 69
60	1800	364T	EM2547T-8	6,319	L1	30.69	623	95	200	160	1, 24, 69
75	1800	365T	EM2551T-8	7,749	L1	29.70	783	95	200	199	1, 24, 69
100	1800	404T	EM2555T-8	9,010	L1	36.97	906	95.4	200	263	1, 24, 69

(a) See notes on inside back flap.

Cast Iron Frame

Red Catalog Number indicates **NEW** Product.

General Information

Single Phase Motors

General Purpose Industrial Motors

Severe Duty Motors

Large AC Motors

Washdown Duty Motors

Explosion Proof Motors

Pump Motors

HVAC Motors

Farm Duty Motors

Three Phase, Open Drip Proof, Foot Mounted

Hp	RPM	NEMA Frame	Catalog Number	List Price	Mult. Sym.	"C" Dim.	Aprx. Wt. (lb)	Full Load Efficiency	Voltage	Full Load Amps	Notes (a)
575 Volts											
1/3	1800	56	EM31104-5	451	K	9.51	24	73.4	575	0.5	15
1/2	1800	56	EM31108-5	497	K	11.01	31	78.2	575	0.7	15
3/4	1800	56	EM31112-5	547	K	11.07	33	81.5	575	0.9	15
1	1800	56	EM31116-5	576	K	11.07	38	85.5	575	1.2	15
		143T	EM3116T-5	711	LS	11.12	34	85.5	575	1.2	1
1 1/2	1800	145T	EM3154T-5	743	LS	11.62	37	86.5	575	1.8	1
2	1800	145T	EM3157T-5	796	LS	12.12	39	86.5	575	2.3	1
3	1800	182T	EM3211T-5	858	LS	15.00	69	89.5	575	3.4	1
5	1800	184T	EM3218T-5	940	LS	16.50	82	89.5	575	5.3	1
7 1/2	1800	213T	EM3311T-5	1,381	LS	16.32	114	91	575	7.8	1
10	1800	215T	EM3313T-5	1,672	LS	17.45	123	91.7	575	10	1
15	1800	254T	EM2513T-5	2,367	LS	21.69	273	93	575	14.1	1
20	1800	256T	EM2515T-5	2,597	L1	21.69	227	93	575	18.9	1
25	1800	284T	EM2531T-5	3,166	L1	25.06	312	93.6	575	24.5	1
30	1800	286T	EM2535T-5	3,462	L1	25.06	333	94.1	575	28	1
40	1800	324T	EM2539T-5	4,516	L1	27.19	397	94.1	575	40	1
50	1800	326T	EM2543T-5	4,983	L1	27.69	465	94.5	575	46	1
60	1800	364T	EM2547T-5	6,274	L1	30.69	430	95	575	56	1
75	1800	365T	EM2551T-5	7,701	L1	33.72	740	95	575	68	1
100	1800	404T	EM2555T-5	8,959	L1	36.97	943	95.4	575	93	1
125	1800	405T	EM2559T-5	10,991	L1	34.47	960	95.4	575	114	1
150	1800	444T	EM2558T-5	12,208	L1	39.56	1535	96.2	575	136	1

(a) See notes on inside back flap.

■ Cast Iron Frame

Red Catalog Number indicates **NEW** Product.

Custom induction motors available up to 30,000 Hp. Contact your Baldor•Reliance sales representative for additional information.

General Information

Single Phase Motors

General Purpose Industrial Motors

Severe Duty Motors

Large AC Motors

Washdown Duty Motors

Explosion Proof Motors

Pump Motors

HVAC Motors

Farm Duty Motors

Three Phase, Open Drip Proof, C-Face, Foot Mounted

1/3 thru 100 Hp



Features:

- Locked DE bearing to allow mounting in any configuration
- Suitable for Inverter use per NEMA MG1 Part 31.4.4.2
- 60 Hz designs with 50 Hz information on 2,4,6 Pole 1-125 Hp ratings
- Designed for longevity with a 3 year warranty on premium efficient Super-E® Motors
- Optimized airflow design providing higher horse power in a smaller package

Applications:

- Fans
- Pumps
- Blowers
- Conveyors
- Compressors
- Industrial Machines
- Other General Purpose Applications

Hp	RPM	NEMA Frame	Catalog Number	List Price	Mult. Sym.	"C" Dim.	Aprx. Wt. (lb)	Full Load Efficiency	Voltage	Full Load Amps	Notes (a)
1/3	1800	56C	CEM31104	479	K	10.10	24	73.4	230/460	0.7	15, 30
	3600	56C	CEM31107	510	K	10.10	20	73.4	230/460	0.8	15, 30
1/2	1800	56C	CEM31108	525	K	11.60	31	78.2	230/460	0.8	15, 30
	3600	56C	CEM31112	575	K	11.06	35	81.1	230/460	1	15, 30
3/4	1800	56C	CEM31112	575	K	11.06	35	81.1	230/460	1	15, 30
1	1800	143TC	CEM3116T	749	L1	11.62	35	85.5	230/460	1.5	1, 30
1 1/2	1800	145TC	CEM3154T	781	L1	11.62	31	86.5	230/460	2.2	1, 30
	3600	56C	CEM31155	600	K	12.06	43	85.5	230/460	2.6	15, 30
2	1800	145TC	CEM3157T	834	L1	12.12	41	86.5	230/460	2.9	1, 30
	3600	145TC	CEM3158T	765	L1	13.00	46	85.5	230/460	3.8	1, 30
3	1800	182TC	CEM3211T	930	L1	15.00	71	89.5	230/460	4.2	1, 30
	3600	182TC	CEM3212T	866	L1	13.62	64	86.5	230/460	6	1, 30
5	1800	184TC	CEM3218T	1,012	L1	16.50	87	89.5	230/460	6.6	1, 30
	3600	184TC	CEM3219T	1,331	L1	15.00	77	88.5	230/460	8.6	1, 30
7 1/2	1800	213TC	CEM3311T	1,543	L1	17.06	118	91	230/460	9.7	1, 30
	3600	213TC	CEM3312T	1,602	L1	17.06	121	89.5	230/460	12	1, 30
10	1800	215TC	CEM3313T	1,834	L1	18.19	133	91.7	230/460	12.5	1, 30
	3600	215TC	CEM3314T	2,207	L1	17.06	128	90.2	230/460	17.5	1, 30
15	1800	254TC	CEM2513T	2,692	L1	21.69	213	93	230/460	17.7	1, 30
	3600	254TC	CEM2514T	2,727	L1	21.69	194	91	230/460	23.5	1, 30
20	1800	256TC	CEM2515T	2,922	L1	21.69	231	93	230/460	23.5	1, 30
	3600	256TC	CEM2516T	3,209	L1	21.69	219	91.7	230/460	28	1, 30
25	1800	284TC	CEM2531T	3,749	L1	25.06	336	93.6	230/460	30	1, 30
	3600	286TC	CEM2535T	4,045	L1	25.06	430	94.1	230/460	35	1, 30
40	1800	324TC	CEM2539T	5,325	L1	27.19	378	94.1	230/460	49	1, 30
50	1800	326TC	CEM2543T	5,792	L1	27.69	494	94.5	230/460	57	1, 30
60	1800	364TC	CEM2547T	7,207	L1	30.69	632	95	230/460	68	1, 30
75	1800	365TC	CEM2551T	8,634	L1	33.72	457	95	230/460	87	1, 30
100	1800	404TC	CEM2555T	10,036	L1	36.97	945	95.4	230/460	118	1, 30

(a) See notes on inside back flap.

Red Catalog Number indicates **NEW** Product.

Custom induction motors available up to 30,000 Hp. Contact your Baldor•Reliance sales representative for additional information.

General Information

Single Phase Motors

General Purpose Industrial Motors

Severe Duty Motors

Large AC Motors

Washdown Duty Motors

Explosion Proof Motors

Pump Motors

HVAC Motors

Farm Duty Motors

Three Phase, Open Drip Proof, C-Face, Footless

1/4 thru 30 Hp



Features:

- Footless design reduces weight and improves safety
- Locked DE bearing to allow mounting in any configuration
- Suitable for Inverter use per NEMA MG1 Part 31.4.4.2
- 60 Hz designs with 50 Hz information on 2,4,6 Pole 1-125 Hp ratings
- Designed for longevity with a 3 year warranty on premium efficient Super-E® Motors
- Optimized airflow design providing higher horse power in a smaller package

Applications:

- Fans
- Pumps
- Blowers
- Conveyors
- Compressors
- Industrial Machines
- Other General Purpose Applications

Hp	RPM	NEMA Frame	Catalog Number	List Price	Mult. Sym.	"C" Dim.	Aprx. Wt. (lb)	Full Load Efficiency	Voltage	Full Load Amps	Notes (a)	
1/4	1800	56C	KEM30003	455	K	11.35	21	69.5	230/460	0.5	15, 30	
	3600	56C	KEM30006	476	K	11.22	22	69.5	230/460	0.6	15, 30	
1/3	1800	56C	VEM31104	479	K	11.22	24	73.4	230/460	0.7	15, 30	
	3600	56C	VEM31107	510	K	11.22	24	73.4	230/460	0.8	15, 30	
1/2	1800	56C	VEM31108	525	K	12.72	31	78.2	230/460	0.8	15, 30	
	1200	56C	VEM31109	571	K	13.35	34	75.3	230/460	1	15, 30	
	3600	56C	VEM31111	508	K	11.22	25	76.8	230/460	1.2	15, 30	
3/4	1800	56C	VEM31112	575	K	12.23	32	81.1	230/460	1	15, 30	
	1200	56C	VEM31153	696	K	13.23	39	81.7	230/460	1.3	15, 30	
	143TC		VM3153T	606	L1	13.41	32	77	230/460	1.5	30	
1	3600	56C	VEM31115	520	K	11.84	27	77	230/460	1.6	15, 30	
	1800	56C	VEM31116	604	K	12.23	37	83.5	230/460	1.5	15, 30	
		143TC		VM3116T	488	LS	12.30	33	82.5	230/460	1.6	1, 16
		143TC		VEM3116T	749	L1	12.25	38	85.5	230/460	1.5	1, 30
	1200	145TC	VM3156T	680	L1	13.30	40	80	230/460	1.9	1, 16	
143TC		VEM3156T	765	L1	13.25	39	82.5	230/460	1.8	1, 30		
1 1/2	3600	56C	VEM31120	536	K	12.23	34	84	230/460	2	15, 30	
		143TC	VM3120T	572	L1	12.25	34	82.5	230/460	2	16	
		143TC	VEM3120T	650	L1	12.25	34	84	230/460	2	1, 30	
	1800	56C	VEM31154	659	K	13.23	35	86.5	230/460	2.2	15, 30	
		145TC	VEM3154T	781	L1	13.25	37	86.5	230/460	2.2	1, 30	
		145TC	VM3159T	741	L1	15.55	59	84	230/460	2.6	16	
145TC		VEM3159T	889	L1	15.92	68	86.5	230/460	2.5	1, 30		
2	3600	56C	VEM31155	600	K	13.23	43	85.5	230/460	2.6	15, 30	
		143TC	VM3155T	631	L1	13.30	32	84	230/460	2.5	16	
		143TC	VEM3155T	756	L1	13.25	43	86.5	230/460	2.5	1, 30	
	1800	56C	VEM31157	690	K	14.12	48	86.5	230/460	3	15, 30	
		145TC	VEM3157T	834	L1	13.25	43	86.5	230/460	2.9	1, 30	
		184TC	VM3215T	772	L1	16.55	70	85.5	230/460	3.6	16, 30	
184TC		VEM3215T	942	L1	18.03	82	87.5	230/460	3.4	1, 30		
3	3600	56C	VEM31158	669	K	13.24	50	85.5	230/460	3.8	15, 30	
		145TC	VM3158T	671	L1	13.30	46	84	230/460	3.7	16	
		145TC	VEM3158T	765	L1	14.18	50	85.5	230/460	3.7	1, 30	
	1800	145TC	VM3161T	687	L1	15.55	56	86.5	230/460	4.1	1, 16	
		145TC	VEM3161T	794	L1	15.92	74	89.5	230/460	4.2	1, 30	
		182TC	VM3211T	644	L1	16.55	64	86.5	230/460	4.1	1, 16	
182TC		VEM3211T	930	L1	16.54	74	89.5	230/460	4.2	1, 30		
1200	213TC	VEM3305T	1,269	L1	17.94	137	88.5	230/460	4.5	1, 30		
5	3600	182TC	VM3212T	726	L1	16.55	74	85.5	230/460	6.2	16	
		182TC	VEM3212T	866	L1	16.54	64	86.5	230/460	6	1, 30	
	1800	184TC	VM3218T	705	L1	16.55	71	87.5	230/460	7.2	16	
		184TC	VEM3218T	1,012	L1	18.03	92	89.5	230/460	6.6	1, 30	
		1200	215TC	VEM3309T	1,613	L1	19.07	141	89.5	230/460	7.4	1, 30

(a) See notes on inside back flap.

Red Catalog Number indicates **NEW** Product.

Three Phase, Open Drip Proof, C-Face, Footless

Hp	RPM	NEMA Frame	Catalog Number	List Price	Mult. Sym.	"C" Dim.	Aprx. Wt. (lb)	Full Load Efficiency	Voltage	Full Load Amps	Notes (a)
7 1/2	3600	184TC	VM3219T	891	L1	16.55	70	87.5	230/460	8.7	16
		184TC	VEM3219T	1,331	L1	16.54	77	88.5	230/460	8.6	1, 30
	1800	213TC	VM3311T	1,040	L1	18.68	115	88.5	230/460	10.1	16
		213TC	VEM3311T	1,543	L1	17.94	120	91	230/460	9.7	1, 30
10	3600	213TC	VM3312T	1,276	L1	18.68	109	88.5	230/460	12.4	16
		213TC	VEM3312T	1,602	L1	17.94	121	89.5	230/460	12	1, 30
	1800	215TC	VM3313T	1,246	L1	18.68	119	89.5	230/460	13.4	16
		215TC	VEM3313T	1,834	L1	19.07	132	91.7	230/460	12.5	1, 30
15	3600	215TC	VM3314T	1,807	L1	18.68	119	89.5	230/460	18	1, 16
		215TC	VEM3314T	2,207	L1	17.94	131	90.2	230/460	17.5	1, 30
	1800	254TC	VEM2513T	2,692	L1	22.25	234	93	230/460	17.7	1, 30
20	3600	254TC	VM2514T	2,402	L1	20.42	147	90.2	230/460	24	1, 16
		254TC	VEM2514T	2,727	L1	22.25	185	91	230/460	23.5	1, 30
	1800	256TC	VEM2515T	2,922	L1	22.25	220	93	230/460	23.5	1, 30
25	3600	254TC	VM2516T	2,838	LS	22.00	200	91	230/460	29	16, 30
		254TC	VEM2516T	3,209	L1	22.00	233	91.7	230/460	28	1, 30
	1800	284TC	VEM2531T	3,749	L1	25.50	377	93.6	230/460	30	1, 30
30	3600	284TSC	VEM2534T	3,987	L1	25.10	320	91.7	230/460	35	1, 30

(a) See notes on inside back flap.

Red Catalog Number indicates **NEW** Product.

Custom induction motors available up to 30,000 Hp. Contact your Baldor•Reliance sales representative for additional information.

General Information

Single Phase Motors

General Purpose Industrial Motors

Severe Duty Motors

Large AC Motors

Washdown Duty Motors

Explosion Proof Motors

Pump Motors

HVAC Motors

Farm Duty Motors

F-2 Mount, Three Phase, TEFC and ODP, Foot Mounted

1 thru 100 Hp



Features:

- Suitable for Inverter use per NEMA MG1 Part 31.4.4.2
- Designed for longevity with a 3 year warranty on premium efficient Super-E® Motors
- Dynamically balanced rotor to increase bearing life
- Cast iron or heavy gauge steel design

Applications:

- Fans
- Pumps
- Blowers
- Conveyors
- Compressors
- Industrial Machines
- Other General Purpose F-2 Applications

Hp	RPM	NEMA Frame	Catalog Number	List Price	Mult. Sym.	"C" Dim.	Aprx. Wt. (lb)	Full Load Efficiency	Voltage	Full Load Amps	Notes (a)
Totally Enclosed Fan Cooled, 230/460 Volts											
1	1800	143T	EFM3546T	738	L1	12.31	35	85.5	230/460	1.5	1, 30
1 1/2	1800	145T	EFM3554T	820	L1	13.31	41	86.5	230/460	2.2	1, 30
2	1800	145T	EFM3558T	867	L1	13.31	41	86.5	230/460	2.9	1, 30
3	3600	182T	EFM3610T	882	L1	15.14	73	86.5	230/460	3.6	1, 30
	1800	182T	EFM3611T	890	L1	16.55	73	89.5	230/460	4.2	1, 30
5	3600	184T	EFM3613T	978	L1	16.55	75	88.5	230/460	5.9	1, 30
	1800	184T	EFM3615T	919	L1	18.06	91	89.5	230/460	6.7	1, 30
7 1/2	3600	213T	EFM3709T	1,465	L1	17.91	128	89.5	230/460	9	1, 30
	1800	213T	EFM3710T	1,326	L1	19.01	128	91.7	230/460	9.4	1, 30
10	3600	215T	EFM3711T	1,485	L1	17.91	119	90.2	230/460	11.8	1, 30
	1800	215T	EFM3714T	1,497	L1	20.51	165	91.7	230/460	12	1, 30
15	3600	254T	EFM2394T	2,520	L1	23.16	256	91	230/460	17.5	1, 30
	1800	254T	EFM2333T	2,306	L1	23.28	256	92.4	230/460	18.1	1, 30
	1200	284T	EFM4100T	3,880	L1	27.76	372	91.7	230/460	21	1, 30
20	1800	256T	EFM2334T	2,796	L1	23.28	276	93	230/460	24	1, 30
	1200	286T	EFM4102T	5,166	L1	27.76	437	91.7	230/460	27	1, 30
25	1800	284T	EFM4103T	3,657	L1	27.76	452	93.6	230/460	30	1, 30
30	1800	286T	EFM4104T	4,338	L1	27.76	300	93.6	230/460	36	1, 30
40	1800	324T	EFM4110T	5,673	L1	30.28	572	94.1	230/460	48	1, 30
	1200	364T	EFM4308T	8,414	L1	33.48	899	94.1	230/460	49.4	1, 30
50	3600	326TS	EFM4114T	6,429	L1	28.78	578	93	230/460	56	1, 30
	1800	326T	EFM4115T	6,199	L1	30.28	640	94.5	230/460	58	1, 30
	1200	365T	EFM4312T	10,167	L1	33.49	868	94.1	230/460	61.7	1, 30
60	1800	364T	EFM4314T	8,919	L1	33.44	800	95	230/460	68	1, 30
	1200	404T	EFM4403T	12,341	L1	38.04	1322	95	230/460	69	1, 30
75	1800	365T	EFM4316T	10,429	L1	33.44	840	95.4	230/460	84.9	1, 30
	1200	405T	EFM4404T	14,371	L1	38.04	1300	94.5	230/460	86.8	1, 30
100	1800	405T	EFM4400T	12,952	L1	38.31	1160	95.4	230/460	112	1, 30
	1200	444T	EFM4409T-4	17,345	L1	44.75	1625	95	460	119	1
Open Drip Proof, 230/460 Volts											
1	1800	145T	EFM3116T	711	L1	11.12	35	85.5	230/460	1.5	1, 30
1 1/2	1800	145T	EFM3154T	743	L1	11.62	38	86.5	230/460	2.2	1, 30
2	1800	145T	EFM3157T	796	L1	12.12	40	86.5	230/460	2.9	1, 30
3	1800	182T	EFM3211T	858	L1	15.00	68	89.5	230/460	4.2	1, 30
5	3600	182T	EFM3212T	794	L1	13.62	61	86.5	230/460	6	1, 30
	1800	184T	EFM3218T	940	L1	16.50	84	89.5	230/460	6.6	1, 30
7 1/2	3600	184T	EFM3219T	1,259	L1	15.00	77	88.5	230/460	8.6	1, 30
	1800	213T	EFM3311T	1,381	L1	16.32	114	91	230/460	9.7	1, 30
10	3600	213T	EFM3312T	1,440	L1	16.32	107	89.5	230/460	12	1, 30
	1800	215T	EFM3313T	1,672	L1	17.45	125	91.7	230/460	12.5	1, 30
15	3600	215T	EFM3314T	2,045	L1	16.32	123	90.2	230/460	17.5	1, 30
	1800	254T	EFM2513T	2,367	L1	21.69	214	93	230/460	17.7	1, 30
20	1800	256T	EFM2515T	2,597	L1	21.69	226	93	230/460	23.5	1, 30
25	1800	284T	EFM2531T	3,166	L1	25.06	313	93.6	230/460	30	1, 30
30	1800	286T	EFM2535T	3,462	L1	25.06	339	94.1	230/460	35	1, 30
40	1800	324T	EFM2539T	4,516	L1	27.19	392	94.1	230/460	49	1, 30
50	1800	326T	EFM2543T	4,983	L1	27.69	547	94.5	230/460	57	1, 30
60	1800	364T	EFM2547T	6,274	L1	30.69	622	95	230/460	68	1, 30

(a) See notes on inside back flap.

■ Cast Iron Frame

General Information

Single Phase Motors

General Purpose Industrial Motors

Severe Duty Motors

Large AC Motors

Washdown Duty Motors

Explosion Proof Motors

Pump Motors

HVAC Motors

Farm Duty Motors

F-2 Mount, Three Phase, TEFC and ODP, Foot Mounted

Hp	RPM	NEMA Frame	Catalog Number	List Price	Mult. Sym.	“C” Dim.	Aprx. Wt. (lb)	Full Load Efficiency	Voltage	Full Load Amps	Notes (a)
Open Drip Proof, 200 Volts											
3/4	1800	56	FM3112-8	389	K	10.12	25	74	200	3.2	12, 68
2	1800	145T	EFM3157T-8	804	L1	12.12	40	86.5	200	6.5	1, 68
3	1800	182T	EFM3211T-8	870	L1	15.00	70	89.5	200	9.7	1, 68
5	1800	184T	EFM3218T-8	956	L1	16.50	82	89.5	200	15.3	1, 68
7 1/2	1800	213T	EFM3311T-8	1,401	L1	16.32	111	91	200	22.3	1, 68
		213T	FM3311T-8	866	L1	17.00	96	88.5	200	23	16, 68
10	1800	215T	EFM3313T-8	1,696	L1	17.45	127	91.7	200	29.5	1, 68
15	1800	254T	EFM2513T-8	2,394	L1	21.69	209	93	200	40.7	1, 68
		254T	FM2513T-8	1,602	L1	19.75	155	91	200	43	1, 16, 68
20	1800	256T	EFM2515T-8	2,627	L1	21.69	226	93	200	54.3	1, 24, 69
		256T	FM2515T-8	2,062	L1	22.25	197	91	200	58	16, 69

(a) See notes on inside back flap.

Custom induction motors available up to 30,000 Hp. Contact your Baldor•Reliance sales representative for additional information.

General Information

Single Phase Motors

General Purpose Industrial Motors

Severe Duty Motors

Large AC Motors

Washdown Duty Motors

Explosion Proof Motors

Pump Motors

HVAC Motors

Farm Duty Motors

Baldor•Reliance Severe Duty motors include features designed to protect against contamination, moisture, vibration and corrosion. These motors use Super-E® premium efficient electrical designs which are built to handle demanding duty cycles, provide high starting and peak torques, and operate over wide speed ranges. Severe Duty motors provide safe, long operating life, reliable performance, and reduced energy consumption in the toughest applications.



Key Features:

- Heavy duty cast iron construction
- Premium efficient electrical designs
- Enhanced ingress protection
- Corrosion resistant epoxy finish

1/2 - 800 Horsepower

Product Line		ECP/XES	841XL	661XL	Dirty Duty	Quarry Duty	Crusher Duty
Frame size range for stock products		143T-5810	143T-449T	182T-365T	56-256T	145T-215T	180T-449T
Electrical Features							
Efficiency	Baldor•Reliance motors meet or exceed all efficiency requirements for US, Canada and Mexico regulations	S	S	S	S	S	S
Torque	NEMA Design B Torques as a minimum	S	S	S	S	-	-
	NEMA Design C: High Torque	-	-	-	-	S	-
Service Factor & Temp. Rise	NEMA Design A: High Torque design exceed NEMA Design C	-	-	-	-	-	S
	1.15 Service Factor – Continuous	S	S	S	S	S	-
Inverter	1.25 Service Factor up to 100 Hp, 1.15 Service Factor over 100 Hp - Continuous	-	-	-	-	-	S
	Class F insulation with Class B rise @ 1.0 Service Factor	S	S	S	S	S	S
	Suitable for Inverter use per NEMA MG1 Part 31.4.4.2	S	S	S	S	S	S
Mechanical Features							
IP Code	IP55 enclosure ingress protection (5008-5810 frames are IP54 rated)	S	-	-	-	S	S
	IP56 enclosure ingress protection	-	S	S	S	-	-
Frame	Steel Band Frame – cast iron endplates & conduit box, steel fan cover	-	-	-	S	S	-
	Cast Iron frame, endplates, conduit box & fan cover (5008-5810 frames have fabricated steel box and fan covers)	S	S	S	-	-	S
	Vertical lifting provisions for shaft up or down mounting	-	-	S	-	-	-
	Sealed joints between frame and endplates	S	S	S	S	S	S
Shaft Seals	Shaft Seals: Neoprene V-ring slinger – DE & ODE	S	-	-	-	-	S
	Shaft Seals: Non-Contact, rotating labyrinth seal – DE & ODE	-	S	S	S	-	-
	Shaft Seals: Large Dome slinger - DE	-	-	S	-	-	-
Bearings & Lubrication	Ball Bearings designs	S	S	-	S	S	S
	Roller Bearing designs for belted applications	S	S	S	-	-	S
	Bearings: Non Regreasable, lubed for life, Double Sealed	-	-	-	S	-	-
	Bearings: Regreasable with grease inlet fitting and outlet threaded plug on DE & ODE	S	-	-	-	S	S
Paint	Bearings: Regreasable with PLS lubrication system 140T-449T frames. Grease inlet & auto relief fittings on DE & ODE. (Also included on ECP/XES & Crusher Duty 360T-449T Frames)	-	S	S	-	-	-
	Paint: Corrosion resistant 2 part epoxy paint system, exceeding 300 hrs. salt fog test per ASTM B 117, epoxy coated rotor and stator	S	S	S	-	S	S
Conduit Box	Paint: Corrosion resistant 2 part epoxy paint system, exceeding 2,000 hrs. salt fog test per ASTM B 117, epoxy coated rotor and stator	-	-	-	S	-	-
	Conduit box: Oversized, diagonally split with lipped cover, threaded NPT inlet and rotatable in 90 degree increments	S	S	S	-	-	S
Nameplate	Conduit box: Oversized, lipped cover, threaded NPT inlet, rotatable in 180 degree increments	-	-	-	S	S	-
	Nameplate: 304 series stainless steel embossed raised letter	S	S	S	S	-	S
Other Key Features	Nameplate: 304 series stainless steel laser etched letter	-	-	-	-	S	-
	Nameplate marked Class I, Division 2, Groups A, B, C, D with T2 temperature code or better.	S	S	S	-	-	-
Certifications & Tests	Meets and exceeds IEEE 841	-	S	S	-	-	-
	Meets and exceeds IEEE 45	-	S	S	S	-	-
	Documented final motor test – ships with motor	-	S	S	-	-	-
Warranty	Warranty – in years from date of manufacture	3	5	5	3	3	3

S = Standard

For more information visit baldor.com

General Information

Single Phase Motors

General Purpose Industrial Motors

Severe Duty Motors

Large AC Motors

Washdown Duty Motors

Explosion Proof Motors

Pump Motors

HVAC Motors

Farm Duty Motors

**Three Phase, Totally Enclosed, 230/460 Volts,
460 Volts & 575 Volts, Foot Mounted**

1 thru 800 Hp

IP55



Features:

- Robust cast iron construction
- Regreasable bearings all frames
- IP55, IP54 on 5000 frame and larger
- Embossed raised letter, 304 stainless steel nameplates
- Inverter ready nameplate
- Division 2, Class I, Groups A,B,C,D markings on nameplate

Applications:

- Chemical, Oil & Gas
- Pulp & Paper, Forest Products
- Metals & Foundries
- Cement, Aggregate & above ground Mining
- Food Processing
- Power Generation

Hp	RPM	NEMA Frame	Catalog Number	List Price	Mult. Sym.	“C” Dim.	Aprx. Wt. (lb)	Full Load Efficiency	Voltage	Full Load Amps	Notes (a)
230/460 Volts & 460 Volts											
1	3600	143T	ECP3580T	950	SD	12.95	59	84	230/460	1.4	1
		143T	ECP3580T-4	950	SD	12.95	59	84	460	1.4	1
	1800	143T	ECP3581T	1,044	SD	12.95	64	87.5	230/460	1.5	1, 30
		143T	ECP3581T-4	1,044	SD	12.95	61	87.5	460	1.5	1
		143T	ENCP3581T-4	1,087	SD	11.36	56	87.5	460	1.5	1, 60
	1200	145T	ECP3582T	1,153	SD	12.95	68	82.5	230/460	1.7	1, 30
145T		ECP3582T-4	1,153	SD	12.95	69	82.5	460	1.7	1	
900	182T	ECP3687T-4	1,619	SD	15.93	103	78.5	460	2	1	
1 1/2	3600	143T	ECP3583T	1,080	SD	12.95	67	85.5	230/460	2	1, 30
		143T	ECP3583T-4	1,080	SD	12.95	67	85.5	460	2	1
	1800	145T	ECP3584T	1,063	SD	12.95	69	88.5	230/460	2.1	1, 30
		145T	ECP3584T-4	1,063	SD	12.95	72	88.5	460	2.1	1
	1200	182T	ECP3667T	1,349	SD	15.93	108	87.5	230/460	2.5	1, 30
		182T	ECP3667T-4	1,349	SD	15.93	108	87.5	460	2.5	1
900	184T	ECP3668T-4	2,015	SD	15.93	110	80	460	3.2	1	
2	3600	145T	ECP3586T	1,130	SD	12.95	74	86.5	230/460	2.5	1, 30
		145T	ECP3586T-4	1,130	SD	12.95	74	86.5	460	2.5	1
	1800	145T	ECP3587T	1,110	SD	12.95	75	88.5	230/460	2.8	1, 30
		145T	ECP3587T-4	1,110	SD	12.95	73	88.5	460	2.8	1
	1200	184T	ECP3664T	1,366	SD	15.93	122	88.5	230/460	3.2	1
		184T	ECP3664T-4	1,366	SD	15.93	120	88.5	460	3.2	1
900	213T	ECP3772T-4	2,541	SD	19.50	179	85.5	460	3.8	1	
3	3600	182T	ECP3660T	1,336	SD	15.93	104	88.5	230/460	3.4	1, 30
		182T	ECP3660T-4	1,336	SD	15.93	106	88.5	460	3.4	1
	1800	182T	ECP3661T	1,404	SD	15.93	110	89.5	230/460	4.1	1, 30
		182T	ECP3661T-4	1,404	SD	15.93	112	89.5	460	4.1	1
	1200	213T	ECP3764T	1,971	SD	19.50	185	90.2	230/460	4.5	1, 30
		213T	ECP3764T-4	1,971	SD	19.50	209	89.5	460	4.5	1
900	215T	ECP3775T-4	2,755	SD	19.50	203	85.5	460	5.2	1	
5	3600	184T	ECP3663T	1,644	SD	15.93	114	90.2	230/460	5.7	1, 30
		184T	ECP3663T-4	1,644	SD	15.93	111	89.5	460	5.7	1
	1800	184T	ECP3665T	1,429	SD	15.93	118	89.5	230/460	6.5	1, 30
		184T	ECP3665T-4	1,429	SD	15.93	119	89.5	460	6.6	1
	1200	215T	ECP3768T	1,998	SD	19.50	212	90.2	230/460	7.3	1, 30
		215T	ECP3768T-4	1,998	SD	19.50	227	90.2	460	7.3	1
900	254T	ECP2280T-4	4,385	SD	24.78	327	87.5	460	8.4	1	

(a) See notes on inside back flap.

■ Cast Iron Frame

Three Phase, Totally Enclosed, 230/460 Volts, 460 Volts & 575 Volts, Foot Mounted

Hp	RPM	NEMA Frame	Catalog Number	List Price	Mult. Sym.	"C" Dim.	Aprx. Wt. (lb)	Full Load Efficiency	Voltage	Full Load Amps	Notes (a)
7 1/2	3600	213T	ECP3769T	2,145	SD	19.50	169	91	230/460	8.6	1
		213T	ECP3769T-4	2,145	SD	19.50	173	91.7	460	8.6	1
	1800	213T	ECP3770T	1,799	SD	19.50	170	91.7	230/460	9.5	1
		213T	ECP3770T-4	1,799	SD	19.50	170	91.7	460	9.5	1
	1200	254T	ECP2276T	2,858	SD	24.78	335	91	230/460	10.7	1, 30
		254T	ECP2276T-4	2,858	SD	24.78	337	91	460	10.7	1
900	256T	ECP2401T-4	5,014	SD	24.78	347	86.5	460	12.2	1	
10	3600	215T	ECP3771T	2,284	SD	19.50	203	92.4	230/460	11	1
		215T	ECP3771T-4	2,284	SD	19.50	215	92.4	460	11	1
	1800	215T	ECP3774T	2,154	SD	19.50	231	92.4	230/460	12.5	1
		215T	ECP3774T-4	2,154	SD	19.50	211	92.4	460	12.5	1
	1200	256T	ECP2332T	3,713	SD	24.78	348	91.7	230/460	14.2	1, 30
		256T	ECP2332T-4	3,713	SD	24.78	347	91.7	460	14.2	1
900	284T	ECP2402T-4	5,849	SD	27.93	468	90.2	460	14.4	1	
15	3600	254T	ECP2294T	2,922	SD	24.78	300	91.7	230/460	17.2	1, 30
		254T	ECP2394T-4	2,922	SD	24.78	297	91.7	460	17.2	1
	1800	254T	ECP2333T	2,745	SD	24.78	314	92.4	230/460	18.1	1, 30
		254T	ECP2333T-4	2,745	SD	24.78	294	92.4	460	18.1	1
	1200	284T	ECP4100T	4,257	SD	27.93	449	92.4	230/460	19.7	1, 30
		284T	ECP4100T-4	4,257	SD	27.93	448	93	460	19.8	1
900	286T	ECP2395T-4	7,807	SD	27.93	479	89.5	460	21.5	1	
20	3600	256T	ECP4106T	3,408	SD	24.78	324	92.4	230/460	22	1, 30
		256T	ECP4106T-4	3,408	SD	24.78	328	92.4	460	23	1
	1800	256T	ECP2334T	2,944	SD	24.78	334	93	230/460	24	1, 30
		256T	ECP2334T-4	2,944	SD	24.78	333	93	460	24	1
	1200	286T	ECP4102T	5,784	SD	27.93	480	93	230/460	26	1
		286T	ECP4102T-4	5,784	SD	27.93	467	93	460	26	1
900	324T	ECP4112T-4	8,900	SD	30.27	600	90.2	460	30	1	
25	3600	284TS	ECP4107T	4,096	SD	26.62	396	91.7	230/460	28	1, 30
		284TS	ECP4107T-4	4,096	SD	26.62	410	91.7	460	28	1
	1800	284T	ECP4103T	3,852	SD	27.93	431	93.6	230/460	30	1, 30
		284T	ECP4103T-4	3,852	SD	27.93	435	93.6	460	30	1
	1200	324T	ECP4111T	6,044	SD	30.27	604	93	230/460	32	1, 30
		324T	ECP4111T-4	6,044	SD	30.27	608	93	460	32	1
900	326T	ECP4124T-4	11,114	SD	30.27	598	90.2	460	37	1	
30	3600	286TS	ECP4108T	4,993	SD	26.62	440	91.7	230/460	34	1
		286TS	ECP4108T-4	4,993	SD	26.62	424	91.7	460	34	1
	1800	286T	ECP4104T	4,574	SD	27.93	475	94.1	230/460	36	1, 30
		286T	ECP4104T-4	4,574	SD	27.93	470	94.1	460	36	1
	1200	326T	ECP4117T	7,791	SD	30.27	621	93	230/460	39	1, 30
		326T	ECP4117T-4	7,791	SD	30.27	633	93	460	39	1
900	364T	ECP4113T-4	11,752	SD	33.44	813	92.4	460	39.3	1	
40	3600	324TS	ECP4109T	6,859	SD	29.15	552	93.6	230/460	45	1
		324TS	ECP4109T-4	6,859	SD	29.15	566	93	460	46	1
	1800	324T	ECP4110T	5,984	SD	30.27	618	94.5	230/460	46	1, 30
		324T	ECP4110T-4	5,984	SD	30.27	626	94.5	460	46	1
	1200	364T	ECP4308T	9,710	SD	33.49	918	94.1	230/460	49.4	1
		364T	ECP4308T-4	9,710	SD	33.49	889	94.1	460	49.4	1
900	365T	ECP4315T-4	13,513	SD	33.44	813	93	460	52	1	
50	3600	326TS	ECP4114T	7,188	SD	29.15	619	93	230/460	56	1, 30
		326TS	ECP4114T-4	7,188	SD	29.15	610	94.1	460	56	1
	1800	326T	ECP4115T	7,024	SD	30.27	641	94.5	230/460	58	1, 30
		326T	ECP4115T-4	7,024	SD	30.27	668	94.5	460	58	1
	1200	365T	ECP4312T	10,343	SD	33.49	928	94.1	230/460	61.7	1
		365T	ECP4312T-4	10,343	SD	33.49	920	94.1	460	61.7	1
900	405T	ECP4417T-4	16,652	SD	38.20	1216	93	460	63	1	

(a) See notes on inside back flap.
 ■ Cast Iron Frame

General Information
 Single Phase Motors
 General Purpose Industrial Motors
 Severe Duty Motors
 Large AC Motors
 Washdown Duty Motors
 Explosion Proof Motors
 Pump Motors
 HVAC Motors
 Farm Duty Motors

Three Phase, Totally Enclosed, 230/460 Volts, 460 Volts & 575 Volts, Foot Mounted

Hp	RPM	NEMA Frame	Catalog Number	List Price	Mult. Sym.	"C" Dim.	Aprx. Wt. (lb)	Full Load Efficiency	Voltage	Full Load Amps	Notes (a)
60	3600	364TS	ECP4310T	10,431	SD	31.37	929	95	230/460	65.1	1
		364T	ECP4310T-4	10,431	SD	31.37	882	95	460	65.1	1
	1800	364T	ECP4314T	9,414	SD	33.49	933	95	230/460	68	1
		364T	ECP4314T-4	9,414	SD	33.49	941	95	460	68	1
	1200	404T	ECP4403T	14,128	SD	38.04	1281	95	230/460	69	1
		404T	ECP4403T-4	14,128	SD	38.04	1331	95	460	69	1
900	404T	ECP4403TR-4	14,842	SD	38.20	1375	94.5	460	67.3	1, 5	
75	3600	405T	ECP4418T-4	19,529	SD	38.20	1216	93	460	76	1
		365TS	ECP4313T	11,661	SD	31.37	1004	94.5	230/460	80.7	1
	1800	365TS	ECP4313T-4	11,661	SD	31.37	990	94.5	460	80.7	1
		365T	ECP4316T	11,000	SD	33.49	958	95.4	230/460	85.9	1
	1200	365T	ECP4316T-4	11,000	SD	33.49	962	95.4	460	84.9	1
		365T	ECP4316TR-4	11,625	SD	33.44	965	95.4	460	85.9	1, 5
900	405T	ECP4404T	17,194	SD	38.04	1275	95	230/460	86.9	1	
100	3600	405T	ECP4404T-4	17,194	SD	38.04	1334	94.5	460	86.8	1
		405T	ECP4404TR-4	17,908	SD	38.02	1334	94.5	460	86.5	1, 5
	1800	444T	ECP4419T-4	24,111	SD	44.75	1815	94.5	460	89.3	1
		405TS	ECP4402T	14,657	SD	35.04	1283	95	230/460	110	1
	1200	405TS	ECP4402T-4	14,657	SD	35.04	1272	95	460	110	1
		405T	ECP4400T-4	14,439	SD	38.04	1296	95.4	460	112	1
900	405T	ECP4400TR-4	15,153	SD	38.20	1326	95.4	460	112	1, 5	
125	3600	405TS	ECP4400TS-4	14,439	SD	35.04	1304	95.4	460	112	1
		444T	ECP4409T-4	18,912	SD	44.75	1871	95	460	119	1
	1800	444T	ECP4409T-4	18,912	SD	44.75	1871	95	460	119	1
		444T	ECP4409TR-4	20,140	SD	44.75	1871	95	460	119	1, 5
	1200	445T	ECP4420T-4	28,143	SD	44.75	1905	93.6	460	125	1
		445T	ECP4412T	17,223	SD	40.83	1957	95	230/460	138	1
150	3600	444TS	ECP4412T-4	17,223	SD	40.83	1901	95	460	137	1
		444T	ECP4410T-4	17,070	SD	44.75	1950	95.4	460	144	1
	1800	444T	ECP4410TR-4	18,298	SD	44.75	1950	95.4	460	144	1, 5
		445T	ECP4411T-4	21,365	SD	44.75	2146	95	460	146	1
	1200	445T	ECP4411TR-4	22,593	SD	44.75	2146	95	460	146	1, 5
		447T	ECP4421T-4	30,823	SD	48.24	2330	95	460	149	1
200	3600	445TS	ECP4413T-4	20,191	SD	40.83	2017	95	460	164	1
		445T	ECP4406T-4	19,997	SD	44.75	2190	95.8	460	169	1
	1800	445T	ECP4406TR-4	21,225	SD	44.75	2190	95.8	460	169	1, 5
		447T	ECP44156T-4	24,088	SD	48.24	2546	95.8	460	170	1
	1200	447T	ECP44156TR-4	25,315	SD	48.24	2585	95.8	460	170	1, 5
		449T	ECP4422T-4	35,415	SD	53.24	3051	95	460	188	1
250	3600	447TS	ECP4416T-4	23,908	SD	44.48	2436	96.2	460	213	1
		447T	ECP4407T-4	24,056	SD	48.24	2545	96.2	460	223	1
	1800	447T	ECP4407TR-4	25,282	SD	48.24	2621	96.2	460	223	1, 5
		447TS	ECP4407TS-4	24,056	SD	44.48	2573	96.2	460	223	1
	1200	449T	ECP44206T-4	31,553	SD	53.24	3104	95.8	460	225	1
		449T	ECP44206TR-4	32,779	SD	53.24	3091	95.8	460	225	1, 5
900	449T	ECP4423T-4	44,951	SD	53.24	3179	95	460	248	1	
300	3600	449TS	ECP44252T-4	36,560	SD	49.48	2633	95.8	460	269	1
		449T	ECP4408T-4	30,527	SD	53.24	2981	96.2	460	276	1
	1800	449T	ECP4408TR-4	31,753	SD	53.24	2995	96.2	460	276	1, 5
		449T	ECP44256T-4	44,018	SD	53.24	3090	96.2	460	283	1
	1200	449T	ECP44256TR-4	45,244	SD	53.24	3093	95.8	460	287	1, 5
		L449T	ECP49258T-4	54,429	SD	60.13	3430	95	460	288	1, 99
300	3600	449TS	ECP44302T-4	53,433	SD	49.48	2789	96.2	460	318	1
		449T	ECP44304T-4	42,075	SD	53.24	3061	96.2	460	334	1
	1800	449T	ECP44304TR-4	43,302	SD	53.24	3048	96.2	460	334	1, 5
		L449T	ECP49306T-4	44,454	SD	60.13	3125	95.8	460	340	1, 99
900	L449T	ECP49308T-4	65,528	SD	60.13	4089	95	460	378	14, 99	

(a) See notes on inside back flap.
 ■ Cast Iron Frame

Three Phase, Totally Enclosed, 230/460 Volts, 460 Volts & 575 Volts, Foot Mounted

Hp	RPM	NEMA Frame	Catalog Number	List Price	Mult. Sym.	"C" Dim.	Aprx. Wt. (lb)	Full Load Efficiency	Voltage	Full Load Amps	Notes (a)	
350	3600	449TS	ECP44352T-4	64,135	SD	49.48	2965	95.8	460	370	1	
	1800	L449T	ECP49354T-4	50,488	SD	60.21	3543	96.2	460	384	1, 99	
	1200	5010	CP50356LR-4	48,522	LG	71.42	5500	95.2	460	397	1,5,18	
		5010	ECP50356LR-4	53,374	LG	71.42	5500	95.8	460	397	1,5,18	
	900	5012	ECP50358LR-4	63,429	LG	79.44	6600	95.2	460	436	1,5,18	
400	3600	449TS	ECP44402T-4	75,034	SD	49.48	3091	96.2	460	421	1	
	1800	L449T	ECP49404T-4	63,060	SD	60.21	3682	96.2	460	435	1,99	
	1200	5012	CP50406LR-4	54,485	LG	79.44	6600	95.4	460	452	1,5,18	
		5012	ECP50406LR-4	59,934	LG	79.44	6600	95.8	460	452	1,5,18	
	900	5012	ECP50408LR-4	66,888	LG	79.44	6600	95.2	460	500	1,5,18	
450	3600	5010	CP50452S-4	48,841	LG	67.45	5500	95	460	482	1,18	
		5010	ECP50452S-4	53,725	LG	67.45	5500	95.8	460	482	1,18	
	1800	5010	CP50454L-4	50,335	LG	71.14	5500	95.1	460	514	1,18	
		5010	ECP50454L-4	55,369	LG	71.14	5500	96.2	460	514	1,18	
	1200	5012	CP50456LR-4	56,630	LG	79.44	6600	95.4	460	508	1,5,18	
		5012	ECP50456LR-4	62,293	LG	79.44	6600	95.8	460	508	1,5,18	
	900	5012	ECP50458LR-4	87,790	LG	79.44	6600	95.5	460	594	1,5,7,18	
	500	3600	5010	ECP50502S-4	58,192	LG	67.14	5500	95.8	460	534	1,18
		1800	5010	ECP50504L-4	56,255	LG	71.14	5500	96.2	460	573	1,18
1200		5012	CP50506LR-4	59,777	LG	79.44	6600	95.7	460	564	1,5,18	
		5012	ECP50506LR-4	65,755	LG	79.44	6600	95.8	460	564	1,5,18	
900		5012	ECP50508LR-4	91,032	LG	79.44	6600	95.8	460	585	1,5,7,18	
600	3600	5010	CP58602S-4	73,507	LG	84.13	10000	95.4	460	662	1,18	
	1800	5012	CP50604L-4	60,667	LG	79.42	6600	96.1	460	674	1,18	
	1200	5012	CP50606LR-4	83,197	LG	79.44	6600	95.9	460	667	1,5,7,18	
	900	5810	CP58608LR-4	93,787	LG	83.30	10000	95.9	460	774	1,5,18	
700	3600	5810	CP58702S-4	90,798	LG	86.07	10000	95.9	460	767	1,18	
	1800	5012	CP50704L-4	69,380	LG	79.42	6600	95.8	460	794	1,18	
	1200	5810	CP58706LR-4	85,893	LG	83.30	10000	96.2	460	781	1,5,18	
	900	5810	CP58708LR-4	115,633	LG	83.30	10000	96.3	460	862	1,5,7,18	
800	3600	5810	CP58802S-4	91,412	LG	86.07	10000	96.1	460	878	1,18	
	1800	5012	CP50804L-4	74,504	LG	90.97	6600	96	460	916	1,18	
	1200	5810	CP58806LR-4	112,555	LG	83.30	10000	96.7	460	903	1,5,7,18	
	900	500	CP500808LR-4	191,325	LG	120.18	10000	96	460	915	1,5,7,18	
575 Volt												
1	3600	143T	ECP3580T-5	950	SD	12.95	61	84	575	1.1	1	
	1800	143T	ECP3581T-5	1,044	SD	12.95	65	87.5	575	1.2	1	
1 1/2	1800	145T	ECP3584T-5	1,063	SD	12.95	71	88.5	575	1.7	1	
2	1800	145T	ECP3587T-5	1,110	SD	12.95	75	86.5	575	2.3	1	
3	3600	182T	ECP3660T-5	1,336	SD	15.93	107	88.5	575	2.7	1	
	1800	182T	ECP3661T-5	1,404	SD	15.93	113	89.5	575	3.3	1	
	1200	213T	ECP3764T-5	1,971	SD	19.50	211	90.2	575	3.6	1	
5	3600	184T	ECP3663T-5	1,644	SD	15.93	111	89.5	575	4.6	1	
	1800	184T	ECP3665T-5	1,429	SD	15.93	118	89.5	575	5.3	1	
	1200	215T	ECP3768T-5	1,998	SD	19.50	196	90.2	575	5.8	1	
7 1/2	3600	213T	ECP3769T-5	2,145	SD	19.50	169	91.7	575	6.9	1	
	1800	213T	ECP3770T-5	1,799	SD	19.50	170	91.7	575	7.5	1	
	1200	254T	ECP2276T-5	2,858	SD	24.78	333	91.7	575	8.7	1	
10	3600	215T	ECP3771T-5	2,284	SD	19.50	182	92.4	575	8.9	1	
	1800	215T	ECP3774T-5	2,154	SD	19.50	231	92.4	575	10	1	
	1200	256T	ECP2332T-5	3,713	SD	24.78	347	91.7	575	11.5	1	
15	3600	254T	ECP2394T-5	2,922	SD	24.78	239	91.7	575	13.8	1	
	1800	254T	ECP2333T-5	2,745	SD	24.78	297	92.4	575	14.5	1	
	1200	284T	ECP4100T-5	4,257	SD	27.93	446	93	575	15.9	1	

(a) See notes on inside back flap.
 Red Catalog Number indicates **NEW** Product
 Cast Iron Frame

Three Phase, Totally Enclosed, 230/460 Volts, 460 Volts & 575 Volts, Foot Mounted

Hp	RPM	NEMA Frame	Catalog Number	List Price	Mult. Sym.	"C" Dim.	Aprx. Wt. (lb)	Full Load Efficiency	Voltage	Full Load Amps	Notes (a)
575 Volt (cont.)											
20	3600	256T	ECP4106T-5	3,408	SD	24.78	310	91.7	575	17.9	1
	1800	256T	ECP2334T-5	2,944	SD	24.78	325	93	575	19.2	1
	1200	286T	ECP4102T-5	5,784	SD	27.93	478	93	575	20.6	1
25	1800	284T	ECP4103T-5	3,852	SD	27.93	424	93.6	575	24	1
	1200	324T	ECP4111T-5	6,044	SD	30.27	612	93	575	25.7	1
30	1800	286T	ECP4104T-5	4,574	SD	27.93	467	94.1	575	29	1
40	1800	324T	ECP4110T-5	5,984	SD	30.27	623	94.5	575	36.8	1
50	1800	326T	ECP4115T-5	7,024	SD	30.27	652	94.5	575	45	1
60	1800	364T	ECP4314T-5	9,414	SD	33.49	936	95	575	54.4	1
75	1800	365T	ECP4316T-5	11,000	SD	33.49	966	95.4	575	68.7	1
100	1800	405T	ECP4400T-5	14,439	SD	38.04	1305	95.4	575	89.6	1
125	1800	444T	ECP4410T-5	17,070	SD	44.75	2054	95.4	575	115	1
150	1800	445T	ECP4406T-5	19,997	SD	44.75	2175	95.8	575	135	1
200	1800	447T	ECP4407T-5	24,056	SD	48.24	2570	96.2	575	178	1

(a) See notes on inside back flap.

■ Cast Iron Frame

General Information

Single Phase Motors

General Purpose Industrial Motors

Severe Duty Motors

Large AC Motors

Washdown Duty Motors

Explosion Proof Motors

Pump Motors

HVAC Motors

Farm Duty Motors

Three Phase, Totally Enclosed, 460 & 230/460 Volts, C-Face

1 thru 200 Hp

IP55



Features:

- Robust cast iron construction
- Regreasable bearings all frames
- Embossed raised letter, 304 stainless steel nameplates
- Inverter ready nameplate
- Division 2, Class I, Groups A,B,C,D markings on nameplate
- Locked bearing to allow mounting in any configuration

Applications:

- Chemical, Oil & Gas
- Pulp & Paper, Forest Products
- Metals & Foundries
- Cement, Aggregate & above ground Mining
- Food Processing
- Power Generation

Hp	RPM	NEMA Frame	Catalog Number	List Price	Mult. Sym.	"C" Dim.	Aprx. Wt. (lb)	Full Load Efficiency	Voltage	Full Load Amps	Notes (a)
C-Face, Foot Mounted											
1	1800	143TC	CECP3581T	1,099	SD	13.38	67	87.5	208-230/460	1.5	1
	1200	145TC	CECP3582T	1,211	SD	13.38	75	82.5	208-230/460	1.7	1
1 1/2	1800	145TC	CECP3584T	1,121	SD	13.38	72	88.5	208-230/460	2.1	1
	1200	182TC	CECP3667T	1,407	SD	16.68	99	87.5	208-230/460	2.5	1
2	1800	145TC	CECP3587T	1,166	SD	13.38	76	88.5	208-230/460	2.8	1
	1200	184TC	CECP3664T	1,422	SD	16.68	113	88.5	230/460	3.15	1
3	3600	182TC	CECP3660T	1,436	SD	16.68	112	88.5	230/460	3.4	1, 30
	1800	182TC	CECP3661T	1,505	SD	16.68	114	89.5	208-230/460	4.1	1
	1200	213TC	CECP3764T	2,072	SD	20.24	187	90.2	230/460	4.5	1, 30
5	3600	184TC	CECP3663T	1,744	SD	16.68	121	90.2	230/460	5.7	1, 30
	1800	184TC	CECP3665T	1,529	SD	16.68	130	89.5	208-230/460	6.6	1
7 1/2	1200	215TC	CECP3768T	2,098	SD	20.24	226	90.2	230/460	7.3	1, 30
	3600	213TC	CECP3769T	2,345	SD	20.24	173	91.7	230/460	8.6	1
	1800	213TC	CECP3770T	2,000	SD	20.24	170	91.7	230/460	9.5	1
10	1200	254TC	CECP2276T	3,059	SD	25.18	305	91	230/460	10.7	1, 30
	3600	215TC	CECP3771T	2,482	SD	20.24	203	92.4	230/460	11	1, 30
	1800	215TC	CECP3774T	2,354	SD	20.24	231	92.4	230/460	12.5	1
15	1200	256TC	CECP2332T	3,913	SD	25.18	323	91.7	230/460	14.2	1, 30
	3600	254TC	CECP2294T	3,505	SD	25.28	307	91.7	230/460	17.2	1, 30
	1800	254TC	CECP2333T	3,344	SD	25.18	297	92.4	230/460	18.1	1, 30
		254TC	CECP2333T-4	3,344	SD	25.18	296	92.4	460	18.1	1
	1200	284TC	CECP4100T	4,856	SD	27.93	435	93	230/460	19.7	1, 30
20	3600	256TC	CECP4106T	3,991	SD	25.28	333	92.4	230/460	22	1, 30
	1800	256TC	CECP2334T	3,544	SD	25.18	339	93	230/460	24	1, 30
		256TC	CECP2334T-4	3,544	SD	25.18	336	93	460	24	1
25	1200	286TC	CECP4102T	6,384	SD	27.93	460	93	230/460	26	1
	3600	284TSC	CECP4107T	4,868	SD	26.56	396	91.7	230/460	28	1, 30
	1800	284TC	CECP4103T-4	4,684	SD	27.93	440	93.6	460	30.5	1
		286TC	CECP4103T	4,684	SD	27.93	449	93.6	230/460	30	1, 30
30	1200	324TC	CECP4111T	6,876	SD	30.28	626	93	230/460	32	1, 30
	3600	286TSC	CECP4108T	5,766	SD	26.56	454	91.7	230/460	33	1
	1800	286TC	CECP4104T	5,406	SD	27.93	478	94.1	230/460	36	1, 30
		286TC	CECP4104T-4	5,406	SD	27.93	475	93.6	460	35	1
40	1200	326TC	CECP4117T	8,623	SD	30.28	640	93	230/460	39	1, 30
	3600	324TSC	CECP4109T	7,751	SD	28.78	571	93.6	230/460	45	1
	1800	324TC	CECP4110T	6,901	SD	30.28	628	94.5	230/460	46	1, 30
50	1200	364TC	CECP4308T	10,627	SD	33.44	908	94.1	230/460	49.4	1
	3600	326TSC	CECP4114T	8,079	SD	28.78	639	93	230/460	56	1, 30
	1800	326TC	CECP4115T	7,941	SD	30.28	656	94.5	230/460	58	1, 30
100	1200	365TC	CECP4312T	11,260	SD	33.44	908	94.1	230/460	61.7	1
	1800	405TC	CECP4400T-4	15,928	SD	38.20	1388	95.4	460	112	1
150	1800	445TC	CECP4406T-4	22,059	SD	44.75	2138	96.2	460	165	1
200	1800	447TC	CECP4407T-4	26,536	SD	48.24	2455	96.2	460	221	1

(a) See notes on inside back flap.

■ Cast Iron Frame

Three Phase, Totally Enclosed, 460 & 230/460 Volts, C-Face

Hp	RPM	NEMA Frame	Catalog Number	List Price	Mult. Sym.	"C" Dim.	Aprx. Wt. (lb)	Full Load Efficiency	Voltage	Full Load Amps	Notes (a)
C-Face, Footless											
1	3600	56C	VECP3580-4	1,001	SD	14.50	60	84	460	1.4	1
		56C	VECP3581	1,094	SD	14.50	66	87.5	208-230/460	1.5	1
	1800	56C	VECP3581-4	1,094	SD	14.50	66	87.5	460	1.5	1
		143TC	VECP3581T	1,094	SD	14.57	67	87.5	208-230/460	1.5	1
		143TC	VECP3581T-4	1,094	SD	14.57	66	87.5	460	1.5	1
		1200	145TC	VECP3582T	1,205	SD	14.57	69	82.5	208-230/460	1.7
1 1/2	3600	143TC	VECP3583T-4	1,129	SD	14.57	67	85.5	460	2	1
		145TC	VECP3584T	1,112	SD	14.57	71	88.5	208-230/460	2.1	1
	1800	145TC	VECP3584T-4	1,112	SD	14.57	70	88.5	460	2.1	1
		1200	182TC	VECP3667T	1,431	SD	16.98	103	87.5	208-230/460	2.5
2	3600	145TC	VECP3586T-4	1,182	SD	14.57	74	86.5	460	2.5	1
		145TC	VECP3587T	1,158	SD	14.57	75	88.5	208-230/460	2.8	1
	1800	145TC	VECP3587T-4	1,158	SD	14.57	75	88.5	460	2.8	1
		1200	184TC	VECP3664T	1,451	SD	16.98	114	88.5	230/460	3.2
3	3600	182TC	VECP3660T-4	1,419	SD	16.98	103	88.5	460	3.4	1
		182TC	VECP3661T	1,487	SD	16.98	112	89.5	230/460	4.1	1
	1800	182TC	VECP3661T-4	1,487	SD	16.98	105	90.2	460	4.1	1
		1200	213TC	VECP3764T	2,140	SD	21.36	165	90.2	230/460	4.5
5	3600	184TC	VECP3663T-4	1,727	SD	16.98	108	89.5	460	5.7	1
		184TC	VECP3665T	1,513	SD	16.98	119	89.5	208-230/460	6.6	1
	1800	184TC	VECP3665T-4	1,513	SD	16.98	119	89.5	460	6.6	1
		1200	215TC	VECP3768T	2,165	SD	21.36	225	90.2	230/460	7.3
7 1/2	3600	213TC	VECP3769T-4	2,313	SD	21.36	173	91.7	460	8.6	1
		213TC	VECP3770T	1,966	SD	21.36	170	91.7	230/460	9.5	1
	1800	213TC	VECP3770T-4	1,966	SD	21.36	170	91.7	460	9.5	1
		1200	254TC	VECP2276T	3,392	SD	27.40	338	91	230/460	10.7
10	3600	215TC	VECP3771T-4	2,450	SD	21.36	203	92.4	460	11	1
		215TC	VECP3774T	2,322	SD	21.36	231	92.4	230/460	12.5	1
	1800	215TC	VECP3774T-4	2,322	SD	21.36	231	92.4	460	12.5	1
		1200	256TC	VECP2332T	4,246	SD	27.40	348	91.7	230/460	14.2
15	1800	254TC	VECP2333T	3,279	SD	27.40	314	92.4	230/460	18.1	1, 30
		254TC	VECP2333T-4	3,279	SD	27.40	303	92.4	460	18.1	1
	1200	284TC	VECP4100T	5,006	SD	30.68	503	93	230/460	19.7	1, 30
20	1800	256TC	VECP2334T	3,476	SD	27.40	338	93	230/460	24	1, 30
		256TC	VECP2334T-4	3,476	SD	27.40	365	93	460	24	1
	1200	286TC	VECP4102T	6,534	SD	30.68	528	93	230/460	26	1
25	1800	284TC	VECP4103T	4,602	SD	30.68	483	93.6	230/460	30	1, 30
	1200	324TC	VECP4111T	6,877	SD	33.03	636	93	230/460	32	1, 30

(a) See notes on inside back flap.

■ Cast Iron Frame

General Information

Single Phase Motors

General Purpose Industrial Motors

Severe Duty Motors

Large AC Motors

Washdown Duty Motors

Explosion Proof Motors

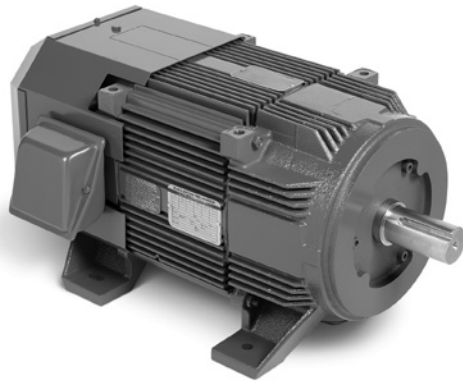
Pump Motors

HVAC Motors

Farm Duty Motors

RPM XE, eXtreme Efficiency, Totally Enclosed, 460 Volts

10 thru 125 Hp



RPM XE, TEFC Standard NEMA Frame



RPM XE, Power Dense

Features:

- TEFC, 1800 RPM, severe duty, Design B, 1.15 SF
- Efficiency two to four levels above NEMA premium
- Power dense and standard NEMA frame sizes
- Designed for across the line operation
- Suitable for adjustable frequency power in scalar mode
- Up to IE3 combined system efficiency when properly matched with VFD
- Operates at true synchronous speed regardless of load

Applications:

- Centrifugal fan and pump applications
- Continuous applications demanding the ultimate efficiency
- Compressors
- Applications demanding reduced weight or inertia

Power Dense

Hp	RPM	Frame	Encl	Catalog Number	List Price	Mult. Sym.	"C" Dim.	Aprx. Wt. (lb)	Full Load Efficiency	Full Load Amps	Dimension Sheet	Notes (a)
10	1800	FL1838	TEFC	XEFRPM18104	2,585	E2	21.76	158	93.0	10	617229-001	
15	1800	FL1844	TEFC	XEFRPM18154	3,295	E2	23.26	180	93.6	15	617232-001	
20	1800	FL1848	TEFC	XEFRPM18204	3,535	E2	24.26	194	94.1	20	617511-200	
25	1800	FL2158	TEFC	XEFRPM21254	4,625	E2	25.49	270	95.0	25	619697-901	
30	1800	FL2162	TEFC	XEFRPM21304	5,490	E2	26.49	290	95.0	30	617517-001	
40	1800	FL2562	TEFC	XEFRPM25404	7,180	E2	27.79	410	95.8	40	619698-901	
50	1800	FL2570	TEFC	XEFRPM25504	8,430	E2	29.79	475	96.2	50	617573-001	
60	1800	FL2873	TEFC	XEFRPM28604	11,300	E2	32.34	635	96.5	60	617512-200	
75	1800	FL2882	TEFC	XEFRPM28754	13,200	E2	34.59	720	96.8	75	617242-001	
100	1800	FL2898	TEFC	XEFRPM201004	17,330	E2	38.59	880	96.8	100	617248-001	
125	1800	FL2898	TEFC	XEFRPM281254	20,490	E2	38.59	880	96.8	125	617248-001	

Standard NEMA Frame

Hp	RPM	Frame	Encl	Catalog Number	List Price	Mult. Sym.	"C" Dim.	Aprx. Wt. (lb)	*Full Load Efficiency	Full Load Amps	Dimension Sheet	Notes (a)
10	1800	FL215T	TEFC	XEFRPM21104	2,585	E2	21.77	170	93.0	10	619704-001	
15	1800	FL254T	TEFC	XEFRPM25154	3,295	E2	23.89	195	93.6	15	619702-001	
20	1800	FL256T	TEFC	XEFRPM25204	3,535	E2	24.89	210	94.1	20	619703-001	
25	1800	FL284T	TEFC	XEFRPM28254	4,625	E2	26.38	290	95.0	25	619696-001	
30	1800	FL286T	TEFC	XEFRPM28304	5,490	E2	27.37	315	95.0	30	619697-001	
40	1800	FL324T	TEFC	XEFRPM32404	7,180	E2	28.81	435	95.8	40	619698-001	
50	1800	FL326T	TEFC	XEFRPM32504	8,430	E2	30.81	500	96.2	50	619699-001	
60	1800	FL364T	TEFC	XEFRPM36604	11,300	E2	32.93	690	96.5	60	619707-001	
75	1800	FL365T	TEFC	XEFRPM36754	13,200	E2	35.19	775	96.8	75	619706-001	
100	1800	FL405T	TEFC	XEFRPM401004	17,330	E2	40.58	955	96.8	100	619705-001	

(a) See notes on inside back flap.

Red Catalog Number indicates **NEW** Product

BALDOR • RELIANCE**IEEE 841, Three Phase, Totally Enclosed,
460 & 575 Volts****Severe Duty Motors****1 thru 250 Hp****IP56****Features:**

- Meets and exceeds the requirements of IEEE Std. 841-2009
- Patented PLS lubrication system for bearing longevity
- Inverter ready nameplate
- Meets IEEE 45 on nameplate
- IEEE 841 test report ships with the motor

Applications:

- Chemical, Oil & Gas
- Pulp & Paper, Forest Products
- Metals & Foundries
- Cement, Aggregate & above ground Mining
- Food Processing
- Power Generation

Hp	RPM	NEMA Frame	Catalog Number	List Price	Mult. Sym.	"C" Dim.	Aprx. Wt. (lb)	Full Load Efficiency	Voltage	Full Load Amps	Notes (a)
460 Volts											
1	3600	143T	ECP83580T-4	1,043	SD	12.88	60	84	460	1.4	1
		143T	ENCP83580T-4	994	SD	11.37	56	84	460	1.3	1, 60
	1800	143T	ECP83581T-4	1,145	SD	12.88	69	87.5	460	1.5	1
		143T	ENCP83581T-4	1,087	SD	11.37	60	87.5	460	1.5	1, 60
1 1/2	1200	145T	ECP83582T-4	1,228	SD	12.88	69	82.5	460	1.7	1
		143T	ECP83583T-4	1,120	SD	12.88	69	85.5	460	2	1
	1800	145T	ECP83584T-4	1,165	SD	12.87	73	88.5	460	2.1	1
		182T	ECP83667T-4	1,414	SD	15.93	114	87.5	460	2.5	1
2	3600	145T	ECP83586T-4	1,229	SD	12.88	78	86.5	460	2.4	1
		145T	ECP83587T-4	1,217	SD	12.87	78	88.5	460	2.8	1
	1200	184T	ECP83664T-4	1,537	SD	15.93	130	88.5	460	3.2	1
3	3600	182T	ECP83660T-4	1,465	SD	15.93	116	88.5	460	3.4	1
		1800	182T	ECP83661T-4	1,541	SD	15.93	116	89.5	460	4.1
	1200	213T	ECP83764T-4	2,143	SD	19.50	165	89.5	460	4.5	1
5	3600	184T	ECP83663T-4	1,805	SD	15.93	132	89.5	460	5.6	1
		1800	184T	ECP83665T-4	1,570	SD	15.93	127	89.5	460	6.6
	1200	215T	ECP83768T-4	2,215	SD	19.50	193	89.5	460	7.1	1
7 1/2	3600	213T	ECP83769T-4	2,356	SD	19.50	179	91.7	460	8.6	1
		1800	213T	ECP83770T-4	1,978	SD	19.50	199	91.7	460	9.5
	1200	254T	ECP82276T-4	3,195	SD	24.78	343	91	460	10.5	1
10	3600	215T	ECP83771T-4	2,508	SD	19.50	225	91	460	11.3	1
		1800	215T	ECP83774T-4	2,342	SD	19.50	231	91.7	460	12.2
	1200	256T	ECP82332T-4	4,079	SD	24.78	359	91.7	460	14.1	1
15	3600	254T	ECP82394T-4	3,264	SD	24.78	308	91	460	17	1
		1800	254T	ECP82333T-4	3,015	SD	24.78	322	92.4	460	17.6
	1200	284T	ECP84100T-4	4,712	SD	27.93	447	91.7	460	19.6	1
20	3600	256T	ECP84106T-4	3,742	SD	24.78	328	91.7	460	22	1
		1800	256T	ECP82334T-4	3,260	SD	24.78	350	93	460	23.1
	1200	286T	ECP84102T-4	6,350	SD	27.93	442	91.7	460	26	1
25	3600	284TS	ECP84107T-4	4,575	SD	26.56	360	91.7	460	28	1
		1800	284T	ECP84103T-4	4,228	SD	27.93	441	93.6	460	30
	1200	324T	ECP84111T-4	6,692	SD	30.66	638	93	460	32	1
30	3600	286TS	ECP84108T-4	5,480	SD	26.56	442	91.7	460	34	1
		1800	286T	ECP84104T-4	4,979	SD	27.93	545	93.6	460	37
	1200	326T	ECP84117T-4	8,709	SD	30.66	637	93	460	38.6	1
40	3600	324TS	ECP84109T-4	7,498	SD	29.16	626	92.4	460	44	1
		1800	324T	ECP84110T-4	6,629	SD	30.66	629	94.1	460	46
	1200	364T	ECP84308T-4	10,662	SD	33.49	927	94.1	460	49.4	1
50	3600	326TS	ECP84114T-4	7,821	SD	29.16	623	93	460	55	1
		1800	326T	ECP84115T-4	7,783	SD	30.66	679	94.5	460	57
	1200	365T	ECP84312T-4	11,355	SD	33.49	928	94.1	460	61.7	1
60	3600	364TS	ECP84310T-4	11,558	SD	31.37	905	95	460	65.1	1
		1800	364T	ECP84314T-4	10,335	SD	33.49	913	95	460	68
	1200	404T	ECP84403T-4	14,718	SD	38.04	1271	95	460	69	1

(a) See notes on inside back flap. ■ Cast Iron Frame

IEEE 841, Three Phase, Totally Enclosed, 460 & 575 Volts

Hp	RPM	NEMA Frame	Catalog Number	List Price	Mult. Sym.	"C" Dim.	Aprx. Wt. (lb)	Full Load Efficiency	Voltage	Full Load Amps	Notes (a)
75	3600	365TS	ECP84313T-4	12,802	SD	31.37	1045	94.5	460	80.7	1
	1800	365T	ECP84316T-4	12,019	SD	33.49	971	95.4	460	85.9	1
	1200	405T	ECP84404T-4	17,827	SD	38.04	1327	94.5	460	86.8	1
100	3600	405TS	ECP84402T-4	15,341	SD	35.04	1277	95	460	110	1
	1800	405T	ECP84400T-4	16,043	SD	38.04	1299	95.4	460	112	1
	1200	444T	ECP84409T-4	19,609	SD	44.75	1940	95	460	119	1
125	3600	444TS	ECP84412T-4	17,941	SD	40.98	1968	95	460	137	1
	1800	444T	ECP84410T-4	18,198	SD	44.75	2020	95.4	460	144	1
	1200	445T	ECP84411T-4	22,257	SD	44.75	2083	95	460	146	1
150	3600	445TS	ECP84413T-4	20,617	SD	40.98	2053	95	460	164	1
	1800	445T	ECP84406T-4	21,521	SD	44.75	2184	95.8	460	169	1
		447T	ECP844156T-4	24,739	SD	48.24	2536	95.8	460	170	1
	1200	447T	ECP844156TR-4	25,964	SD	48.24	2615	95.8	460	170	1, 5
200	3600	447TS	ECP84416T-4	27,256	SD	44.48	2433	96.2	460	213	1
	1800	447T	ECP84407T-4	25,892	SD	48.24	2582	96.2	460	223	1
		447T	ECP84407TR-4	27,119	SD	48.24	2608	96.2	460	223	1, 5
	1200	449T	ECP844206T-4	32,865	SD	53.24	3109	95.8	460	225	1
250	3600	449T	ECP844206TR-4	34,092	SD	53.24	3108	95.8	460	225	1, 5
		449TS	ECP844252T-4	43,915	SD	49.48	2790	96.2	460	266	1
	1800	449T	ECP84408T-4	33,052	SD	53.24	2959	96.2	460	276	1
		449T	ECP84408TR-4	34,246	SD	53.24	2995	96.2	460	276	1, 5
1200	449T	ECP844256T-4	46,128	SD	53.24	3102	95.8	460	287	1	
575 Volts											
1	3600	143T	ECP83580T-5	1,043	SD	12.88	63	84	575	1.1	1
	1800	143T	ECP83581T-5	1,145	SD	12.87	67	87.5	575	1.2	1
	1200	145T	ECP83582T-5	1,228	SD	12.88	69	82.5	575	1.4	1
1 1/2	3600	143T	ECP83583T-5	1,120	SD	12.87	71	85.5	575	1.6	1
	1800	145T	ECP83584T-5	1,165	SD	12.87	73	88.5	575	1.7	1
	1200	182T	ECP83667T-5	1,414	SD	15.93	105	87.5	575	2	1
2	3600	145T	ECP83586T-5	1,161	SD	12.88	79	86.5	575	1.9	1
	1800	145T	ECP83587T-5	1,217	SD	12.87	77	86.5	575	2.3	1
	1200	184T	ECP83664T-5	1,537	SD	15.93	128	88.5	575	2.5	1
3	3600	182T	ECP83660T-5	1,465	SD	15.93	116	88.5	575	2.7	1
	1800	182T	ECP83661T-5	1,541	SD	15.93	118	89.5	575	3.3	1
	1200	213T	ECP83764T-5	2,143	SD	19.50	211	89.5	575	3.6	1
5	3600	184T	ECP83663T-5	1,805	SD	15.93	130	89.5	575	4.5	1
	1800	184T	ECP83665T-5	1,570	SD	15.93	127	89.5	575	5.3	1
	1200	215T	ECP83768T-5	2,215	SD	19.50	226	89.5	575	5.7	1
7 1/2	3600	213T	ECP83769T-5	2,356	SD	19.50	179	91.7	575	6.9	1
	1800	213T	ECP83770T-5	1,978	SD	19.50	199	91.7	575	7.6	1
	1200	254T	ECP82276T-5	3,352	SD	24.78	348	91.7	575	8.4	1
10	3600	215T	ECP83771T-5	2,508	SD	19.50	225	90.2	575	9	1
	1800	215T	ECP83774T-5	2,342	SD	19.50	231	91.7	575	9.8	1
	1200	256T	ECP82332T-5	4,079	SD	24.78	357	91.7	575	11.4	1
15	3600	254T	ECP82394T-5	3,264	SD	24.78	305	91.7	575	13.7	1
	1800	254T	ECP82333T-5	3,015	SD	24.78	318	92.4	575	14.1	1
	1200	284T	ECP84100T-5	4,712	SD	27.93	445	91.7	575	15.6	1
20	3600	256T	ECP84106T-5	3,742	SD	24.78	324	91.7	575	17.9	1
	1800	256T	ECP82334T-5	3,260	SD	24.78	361	93	575	19	1
	1200	286T	ECP84102T-5	6,350	SD	27.93	443	91.7	575	21	1
25	3600	284TS	ECP84107T-5	4,575	SD	26.56	429	91.7	575	23	1
	1800	284T	ECP84103T-5	4,228	SD	27.93	345	93.6	575	24	1
	1200	324T	ECP84111T-5	6,692	SD	30.66	623	93	575	25.4	1
30	3600	286TS	ECP84108T-5	5,480	SD	26.56	422	91.7	575	27	1
	1800	286T	ECP84104T-5	4,979	SD	27.93	489	93.6	575	29	1
	1200	326T	ECP84117T-5	8,709	SD	30.66	635	93	575	31	1
40	3600	324TS	ECP84109T-5	7,498	SD	29.16	624	92.4	575	35	1
	1800	324T	ECP84110T-5	6,629	SD	30.66	635	94.5	575	37	1
	1200	364T	ECP84308T-5	10,662	SD	33.49	922	94.1	575	39.5	1

(a) See notes on inside back flap.

■ Cast Iron Frame

IEEE 841, Three Phase, Totally Enclosed, 460 & 575 Volts

Hp	RPM	NEMA Frame	Catalog Number	List Price	Mult. Sym.	"C" Dim.	Aprx. Wt. (lb)	Full Load Efficiency	Voltage	Full Load Amps	Notes (a)
575 Volts (cont.)											
50	3600	326TS	ECP84114T-5	7,821	SD	29.16	662	93	575	44	1
	1800	326T	ECP84115T-5	7,783	SD	30.66	653	94.5	575	45	1
	1200	365T	ECP84312T-5	11,355	SD	33.49	924	94.1	575	49.3	1
60	3600	364TS	ECP84310T-5	11,558	SD	31.37	932	95	575	52	1
	1800	364T	ECP84314T-5	10,335	SD	33.49	937	95	575	54.4	1
	1200	404T	ECP84403T-5	14,718	SD	38.04	1275	95	575	55.2	1
75	3600	365TS	ECP84313T-5	12,802	SD	31.37	998	94.5	575	64.5	1
	1800	365T	ECP84316T-5	12,019	SD	33.49	985	95.4	575	68.7	1
	1200	405T	ECP84404T-5	17,827	SD	38.04	1283	94.5	575	69.4	1
100	3600	405TS	ECP84402T-5	15,341	SD	35.04	1287	95	575	88	1
	1800	405T	ECP84400T-5	16,043	SD	38.04	1304	95.4	575	89.6	1
	1200	444T	ECP84409T-5	19,609	SD	44.75	1885	95	575	92	1
125	3600	444TS	ECP84412T-5	17,941	SD	40.98	1799	95.4	575	109	1
	1800	444T	ECP84410T-5	18,198	SD	44.75	1915	95.8	575	111	1
	1200	445T	ECP84411T-5	22,257	SD	44.75	2000	95.4	575	114	1
150	3600	445TS	ECP84413T-5	20,617	SD	40.98	2062	96.2	575	131	1
	1800	445T	ECP84406T-5	21,521	SD	44.75	1886	96.2	575	132	1
	1200	447T	ECP844156TR-5	25,964	SD	48.24	2595	95.8	575	136	1, 5
200	3600	447TS	ECP84416T-5	27,256	SD	44.48	2182	96.2	575	177	1
	1800	447T	ECP84407T-5	25,892	SD	48.24	2606	96.2	575	178	1
		447T	ECP84407TR-5	27,119	SD	48.24	2618	96.2	575	178	1, 5
250	1200	449T	ECP844206TR-5	34,092	SD	53.24	3100	95.8	575	180	1, 5
	3600	449TS	ECP844252T-5	43,915	SD	49.48	2784	96.2	575	212	1
		449T	ECP84408T-5	33,052	SD	53.24	2932	96.2	575	220	1
	1800	449T	ECP84408TR-5	34,246	SD	53.24	2732	96.2	575	220	1, 5

(a) See notes on inside back flap.

■ Cast Iron Frame

General Information

Single Phase Motors

General Purpose Industrial Motors

Severe Duty Motors

Large AC Motors

Washdown Duty Motors

Explosion Proof Motors

Pump Motors

HVAC Motors

Farm Duty Motors

IEEE 841, Three Phase, TEFC, 460 & 575 Volts, C-Face

1 thru 250 Hp

IP56



Features:

- Meets and exceeds the requirements of IEEE Std. 841-2009
- Patented PLS lubrication system for bearing longevity
- Inverter ready nameplate
- Meets IEEE 45 on nameplate
- IEEE 841 test report ships with the motor
- Locked bearing to allow mounting in any configuration

Applications:

- Chemical, Oil & Gas
- Pulp & Paper, Forest Products
- Metals & Foundries
- Cement, Aggregate & above ground Mining
- Food Processing
- Power Generation

Hp	RPM	NEMA Frame	Catalog Number	List Price	Mult. Sym.	"C" Dim.	Aprx. Wt. (lb)	Full Load Efficiency	Voltage	Full Load Amps	Notes (a)
C-Face, Foot Mounted, 460 Volts											
1	3600	143TC	CECP83580T-4	1,087	SD	13.38	63	84	460	1.4	1
		143TC	CENCP83580T-4	1,039	SD	12.00	61	84	460	1.3	1, 60
	1800	143TC	CECP83581T-4	1,190	SD	13.38	71	87.5	460	1.5	1
		143TC	CENCP83581T-4	1,130	SD	12.00	64	87.5	460	1.5	1, 60
1 1/2	1200	145TC	CECP83582T-4	1,273	SD	13.38	56	82.5	460	1.7	1
	3600	143TC	CECP83583T-4	1,164	SD	13.38	71	85.5	460	2	1
	1800	145TC	CECP83584T-4	1,212	SD	13.38	75	88.5	460	2.1	1
2	1200	182TC	CECP83667T-4	1,461	SD	16.69	99	87.5	460	2.5	1
	3600	145TC	CECP83586T-4	1,277	SD	13.38	80	86.5	460	2.4	1
	1800	145TC	CECP83587T-4	1,262	SD	13.38	78	88.5	460	2.8	1
3	1200	184TC	CECP83664T-4	1,681	SD	16.69	113	88.5	460	3.2	1
	3600	182TC	CECP83660T-4	1,552	SD	16.69	121	88.5	460	3.4	1
	1800	182TC	CECP83661T-4	1,644	SD	16.69	120	89.5	460	4.1	1
5	1200	213TC	CECP83764T-4	2,246	SD	20.23	211	89.5	460	4.5	1
	3600	184TC	CECP83663T-4	1,886	SD	16.69	136	89.5	460	5.6	1
	1800	184TC	CECP83665T-4	1,653	SD	16.69	131	89.5	460	6.6	1
7 1/2	1200	215TC	CECP83768T-4	2,298	SD	20.23	226	89.5	460	7.1	1
	3600	213TC	CECP83769T-4	2,445	SD	20.23	179	91.7	460	8.6	1
	1800	213TC	CECP83770T-4	2,094	SD	20.23	178	91.7	460	9.5	1
10	1200	254TC	CECP82276T-4	3,311	SD	25.28	346	91	460	10.5	1
	3600	215TC	CECP83771T-4	2,595	SD	20.23	225	91	460	11.3	1
	1800	215TC	CECP83774T-4	2,531	SD	20.23	231	91.7	460	12.2	1
15	1200	256TC	CECP82332T-4	4,268	SD	25.28	362	91.7	460	14.1	1
	3600	254TC	CECP82394T-4	3,549	SD	25.28	308	91	460	17	1
	1800	254TC	CECP82333T-4	3,465	SD	25.28	322	92.4	460	17.6	1
20	1200	284TC	CECP84100T-4	5,162	SD	27.93	420	91.7	460	19.6	1
	3600	256TC	CECP84106T-4	4,025	SD	25.28	328	91.7	460	22	1
	1800	256TC	CECP82334T-4	3,666	SD	25.28	356	93	460	23.1	1
25	1200	286TC	CECP84102T-4	6,756	SD	27.93	460	91.7	460	26	1
	3600	284TSC	CECP84107T-4	5,490	SD	26.56	433	91.7	460	28	1
	1800	284TC	CECP84103T-4	5,145	SD	27.93	430	93.6	460	30	1
30	1200	324TC	CECP84111T-4	7,609	SD	30.66	660	93	460	32	1
	3600	286TSC	CECP84108T-4	6,395	SD	26.56	470	91.7	460	34	1
	1800	286TC	CECP84104T-4	5,892	SD	27.93	465	93.6	460	37	1
40	1200	326TC	CECP84117T-4	9,622	SD	30.66	640	93	460	38.6	1
	3600	324TSC	CECP84109T-4	8,505	SD	29.16	587	92.4	460	44	1
	1800	324TC	CECP84110T-4	7,637	SD	30.66	600	94.1	460	46	1
50	1200	364TC	CECP84308T-4	11,670	SD	33.44	908	94.1	460	49.4	1
	3600	324TSC	CECP84114T-4	8,831	SD	29.16	670	93	460	55	1
	1800	326TC	CECP84115T-4	8,790	SD	30.66	683	94.5	460	57	1
	1200	365TC	CECP84312T-4	12,362	SD	30.44	925	94.1	460	61.7	1

(a) See notes on inside back flap.

■ Cast Iron Frame

IEEE 841, Three Phase, TEFC, 460 & 575 Volts, C-Face

Hp	RPM	NEMA Frame	Catalog Number	List Price	Mult. Sym.	"C" Dim.	Aprx. Wt. (lb)	Full Load Efficiency	Voltage	Full Load Amps	Notes (a)
60	3600	364TSC	CECP84310T-4	12,655	SD	31.37	899	95	460	65.1	1
	1800	364TC	CECP84314T-4	11,434	SD	33.49	906	95	460	68	1
75	3600	365TSC	CECP84313T-4	13,898	SD	31.37	1007	94.5	460	80.7	1
	1800	365TC	CECP84316T-4	13,119	SD	33.49	1050	95.4	460	85.9	1
C-Face, Foot Mounted, 575 Volts											
1	1800	143TC	CECP83581T-5	1,190	SD	13.38	71	87.5	575	1.2	1
2	1800	145TC	CECP83587T-5	1,262	SD	13.38	80	86.5	575	2.3	1
3	1800	182TC	CECP83661T-5	1,644	SD	16.69	122	89.5	575	3.3	1
5	1800	184TC	CECP83665T-5	1,653	SD	16.69	131	89.5	575	5.3	1
7 1/2	1800	213TC	CECP83770T-5	2,094	SD	20.23	211	91.7	575	7.6	1
10	1800	215TC	CECP83774T-5	2,531	SD	20.23	231	91.7	575	9.8	1
15	1800	254TC	CECP82333T-5	3,465	SD	25.28	309	92.4	575	14.1	1
20	1800	256TC	CECP82334T-5	3,666	SD	25.28	357	93	575	19	1
25	1800	284TC	CECP84103T-5	5,145	SD	27.93	444	93.6	575	24	1
30	1800	286TC	CECP84104T-5	5,892	SD	27.93	487	93.6	575	29	1
40	1800	324TC	CECP84110T-5	7,637	SD	30.66	670	94.5	575	36.8	1
50	1800	326TC	CECP84115T-5	8,790	SD	30.66	663	94.5	575	45	1
C-Face, Footless, 460 Volts											
1	3600	143TC	VECP83580T-4	985	SD	12.00	59	84	460	1.3	1, 60
	1800	143TC	VECP83581T-4	1,063	SD	12.00	63	87.5	460	1.5	1, 60
1 1/2	3600	143TC	VECP83583T-4	1,153	SD	14.56	75	85.5	460	2	1
	1800	145TC	VECP83584T-4	1,199	SD	14.56	76	88.5	460	2.1	1
2	3600	145TC	VECP83586T-4	1,264	SD	14.56	83	86.5	460	2.4	1
	1800	145TC	VECP83587T-4	1,250	SD	14.56	79	88.5	460	2.8	1
3	3600	182TC	VECP83660T-4	1,536	SD	16.69	121	88.5	460	3.4	1
	1800	182TC	VECP83661T-4	1,628	SD	16.69	117	89.5	460	4.1	1
5	3600	184TC	VECP83663T-4	1,871	SD	16.69	132	89.5	460	5.6	1
	1800	184TC	VECP83665T-4	1,637	SD	16.69	128	89.5	460	6.6	1
7 1/2	3600	213TC	VECP83769T-4	2,414	SD	20.24	179	91.7	460	8.6	1
	1800	213TC	VECP83770T-4	2,062	SD	20.24	211	91.7	460	9.5	1
10	3600	215TC	VECP83771T-4	2,563	SD	20.24	225	91	460	11.3	1
	1800	215TC	VECP83774T-4	2,499	SD	20.24	231	91.7	460	12.2	1
15	3600	254TC	VECP82394T-4	3,403	SD	25.28	304	91	460	17	1
	1800	254TC	VECP82333T-4	3,318	SD	25.28	324	92.4	460	17.6	1
20	3600	256TC	VECP84106T-4	3,879	SD	25.28	319	91.7	460	22	1
	1800	256TC	VECP82334T-4	3,517	SD	25.28	355	93	460	23.1	1

(a) See notes on inside back flap.

■ Cast Iron Frame

General Information

Single Phase Motors

General Purpose Industrial Motors

Severe Duty Motors

Large AC Motors

Washdown Duty Motors

Explosion Proof Motors

Pump Motors

HVAC Motors

Farm Duty Motors

**661XL / IEEE 841, Three Phase, TEFC, 460 Volts,
Foot Mounted**

5 thru 75 Hp

IP56



Features:

- Exceeds the requirements of IEEE Std. 841-2009 with the exception of using Mobilith grease for exceptional roller bearing performance
- Roller bearing for belted applications, 40,000 hours L10 life per API 661
- Vertical lifting provisions for shaft up and shaft down mounting
- Patented PLS bearing lubrication system
- IP56 enclosure: dome shaft slinger, bronze labyrinth shaft seal, gasketed conduit box and cover
- Inverter ready nameplate
- Meets IEEE 45 on nameplate
- IEEE 841 test report ships with the motor

Applications:

- Belt driven heat exchangers

Hp	RPM	NEMA Frame	Catalog Number	List Price	Mult. Sym.	"C" Dim.	Aprx. Wt. (lb)	Full Load Efficiency	Voltage	Full Load Amps	Notes (a)
5	1800	184T	ECP63665T-4	1,570	SD	15.93	128	89.5	460	6.6	1
7 1/2	1800	213T	ECP63770TR-4	2,248	SD	19.49	195	91.7	460	9.5	1, 5
10	1800	215T	ECP63774TR-4	2,611	SD	19.49	231	91.7	460	12.2	1, 5
15	1800	254T	ECP62333TR-4	3,372	SD	24.88	324	92.4	460	17.6	1, 5
20	1800	256T	ECP62334TR-4	3,617	SD	24.88	355	93	460	23.1	1, 5
25	1800	284T	ECP64103TR-4	4,676	SD	28.01	461	93.6	460	30	1, 5
30	1800	286T	ECP64104TR-4	5,426	SD	28.01	487	93.6	460	37	1, 5
40	1800	324T	ECP64110TR-4	7,198	SD	30.76	600	94.1	460	46	1, 5
50	1800	326T	ECP64115TR-4	8,354	SD	30.76	687	94.5	460	57	1, 5
60	1800	364T	ECP64314TR-4	10,960	SD	33.48	936	95	460	68	1, 5
75	1800	365T	ECP64316TR-4	12,644	SD	33.48	976	95.4	460	85.9	1, 5

(a) See notes on inside back flap.
 Cast Iron Frame

General Information

Single Phase Motors

General Purpose Industrial Motors

Severe Duty Motors

Large AC Motors

Washdown Duty Motors

Explosion Proof Motors

Pump Motors

HVAC Motors

Farm Duty Motors

BALDOR • RELIANCE**NEW!****Severe Duty Motors****Dirty Duty, Three Phase, TEFC****1/2 thru 15 Hp****IP56****Features:**

- Cast iron endplates & conduit box
- 300 series stainless steel shaft extension
- 2 part epoxy paint system passed 2,000+ hours salt fog test per ASTM B 117
- Permanently lubricated, double sealed ball bearings
- IP56 enclosure includes: labyrinth shaft seals, gasketed conduit box and cover
- Inverter ready nameplate
- Meets IEEE 45 on nameplate

Applications:

- Chemical, Oil & Gas
- Pulp & Paper, Forest Products
- Coastal Marine

Hp	RPM	NEMA Frame	Enclosure	Catalog Number	List Price	Mult. Sym.	"C" Dim.	Aprx. Wt. (lb)	Full Load Efficiency	Voltage	Full Load Amps	Notes (a)	
Foot Mounted													
1/2	1800	56	TEFC	DM3538	626	SD	11.35	27	74	230/460	1.1	12, 15, 30	
3/4	1800	56	TEFC	DM3542	654	SD	11.35	30	75.5	230/460	1.5	12, 15, 30	
1	1800	56	TEFC	EDM3546	976	SD	12.85	35	85.5	230/460	1.7	1,30	
C-Face, Foot Mounted													
1/2	3600	56C	TEFC	CDM3537	630	SD	11.34	26	68	230/460	1	12, 15, 30	
	1800	56C	TEFC	CDM3538	655	SD	11.34	29	74	230/460	1	12, 15, 30	
		56C	TENV	CNDM3538	655	SD	11.05	34	80	230/460	0.8	12, 30	
		56C	TEFC	CDM3539	850	SD	11.34	30	72	230/460	1.2	12, 15, 30	
3/4	1800	56C	TEFC	CDM3542	681	SD	11.34	33	75.5	230/460	1.5	12, 15, 30	
		56C	TENV	CNDM3542	681	SD	11.05	37	78.5	230/460	1.4	12, 30	
		56C	TEFC	CDM3543	862	SD	12.84	38	77	230/460	1.5	12, 15, 30	
1	3600	56C	TEFC	CEDM3545	907	SD	12.28	39	77	230/460	1.6	12, 30	
		56C	TEFC	CEDM3546	1,004	SD	12.84	38	85.5	230/460	1.7	1, 30	
		56C	TENV	CNEDM3546	1,004	SD	11.05	41	85.5	230/460	1.5	1, 30	
		143TC	TENV	CNEDM3546T	1,014	SD	12.12	42	85.5	230/460	1.5	1, 30	
1 1/2	1200	56C	TEFC	CEDM3556	1,122	SD	12.28	45	82.5	230/460	1.9	1, 30	
		3600	56C	TEFC	CEDM3550	992	SD	13.28	42	84	230/460	2.3	1, 30
			56C	TEFC	CEDM3554	1,086	SD	12.24	42	86.5	230/460	2.3	1, 30
			145TC	TENV	CNEDM3554T	1,096	SD	12.12	48	86.5	230/460	2.3	1, 30
2	1200	56C	TEFC	CEDM3557	1,299	SD	14.16	55	87.5	230/460	2.5	1, 30	
		3600	56C	TEFC	CEDM3555	1,061	SD	13.28	38	85.5	230/460	2.7	1, 30
			56C	TEFC	CEDM3558	1,133	SD	13.28	49	86.5	230/460	3.1	1, 30
3	1800	145TC	TEFC	CEDM3558T	1,143	SD	13.35	52	86.5	230/460	2.9	1, 30	
		3600	145TC	TEFC	CEDM3559T	1,137	SD	14.23	59	86.5	230/460	3.6	1, 30
			182TC	TEFC	CEDM3611T	1,262	SD	16.60	90	89.5	230/460	4.2	1, 30
5	1200	213TC	TEFC	CEDM3704T	1,943	SD	19.76	154	89.5	230/460	4.6	1, 30	
		3600	184TC	TEFC	CEDM3613T	1,350	SD	16.60	97	88.5	230/460	5.6	1, 30
			184TC	TEFC	CEDM3615T	1,291	SD	18.10	108	89.5	230/460	6.7	1, 30
7 1/2	1800	215TC	TEFC	CEDM3708T	2,118	SD	20.51	181	89.5	230/460	7.2	1, 30	
		3600	213TC	TEFC	CEDM3709T	2,059	SD	18.63	138	89.5	230/460	9	1, 30
			213TC	TEFC	CEDM3710T	1,920	SD	19.76	146	91.7	230/460	9.5	1, 30
10	3600	215TC	TEFC	CEDM3711T	2,079	SD	18.63	138	90.2	230/460	11.8	1, 30	
		215TC	TEFC	CEDM3714T	2,091	SD	21.26	185	91.7	230/460	12	1, 30	

(a) See notes on inside back flap.

Red Catalog Number indicates **NEW** Product

Dirty Duty, Three Phase, TEFC

Hp	RPM	NEMA Frame	Enclosure	Catalog Number	List Price	Mult. Sym.	"C" Dim.	Aprx. Wt. (lb)	Full Load Efficiency	Voltage	Full Load Amps	Notes (a)
C-Face, Footless												
1/2	3600	56C	TEFC	VDM3537	624	SD	11.35	25	68	230/460	1	12, 15, 30
	1800	56C	TEFC	VDM3538	646	SD	11.35	28	74	230/460	1	12, 15, 30
		56C	TENV	VNDM3538	646	SD	11.05	35	80	230/460	0.8	12, 30
3/4	3600	56C	TEFC	VDM3541	660	SD	11.35	27	74	230/460	1.3	12, 15, 30
	1800	56C	TEFC	VDM3542	672	SD	11.35	31	75.5	230/460	1.5	12, 15, 30
		56C	TENV	VNDM3542	672	SD	11.05	37	78.5	230/460	1.4	12, 30
1	3600	56C	TEFC	VEDM3545	907	SD	11.35	28	77	230/460	1.8	1, 30
	1800	56C	TEFC	VEDM3546	1,004	SD	12.85	37	85.5	230/460	1.7	1, 30
		56C	TENV	VNEDM3546	1,004	SD	11.05	41	85.5	230/460	1.5	1, 30
		143TC	TENV	VNEDM3546T	1,014	SD	11.13	41	85.5	230/460	1.5	1, 30
1 1/2	3600	56C	TEFC	VEDM3550	992	SD	12.24	44	84	230/460	2.1	1, 30
	1800	56C	TEFC	VEDM3554	1,086	SD	12.24	42	86.5	230/460	2.3	1, 30
		56C	TENV	VNEDM3554	1,086	SD	12.05	48	86.5	230/460	2.3	1, 30
		145TC	TENV	VNEDM3554T	1,096	SD	12.13	49	86.5	230/460	2.3	1, 30
2	1800	56C	TEFC	VEDM3558	1,133	SD	13.28	47	86.5	230/460	3	1, 30
		145TC	TEFC	VEDM3558T	1,143	SD	13.35	47	86.5	230/460	3.1	1, 30
3	1800	182TC	TEFC	VEDM3611T	1,262	SD	16.60	86	89.5	230/460	4.5	1, 30
5	1800	184TC	TEFC	VEDM3615T	1,291	SD	16.60	91	89.5	230/460	13.6	1, 8, 30
7 1/2	1800	213TC	TEFC	VEDM3710T	1,920	SD	18.63	131	91.7	230/460	10.1	1, 30
10	1800	215TC	TEFC	VEDM3714T	2,091	SD	19.76	147	91.7	230/460	13.5	1, 8, 30

(a) See notes on inside back flap.

Red Catalog Number indicates **NEW** Product

General Information

Single Phase Motors

General Purpose Industrial Motors

Severe Duty Motors

Large AC Motors

Washdown Duty Motors

Explosion Proof Motors

Pump Motors

HVAC Motors

Farm Duty Motors

Quarry Duty Motors, Three Phase, TEFC, Design C, High Torque

2 thru 75 Hp

IP55



Features:

- High torque NEMA Design C
- Steel band frame – cast iron endplates & conduit box, steel fan cover
- IP55 enclosure includes: gasketed conduit box and cover, shaft seal
- Inverter ready

Applications:

- Cement
- Aggregate
- Above ground mining
- Bulk material handling
- Belt conveyors and screens

Hp	RPM	NEMA Frame	Catalog Number	List Price	Mult. Sym.	“C” Dim.	Aprx. Wt. (lb)	Full Load Efficiency	Voltage	Full Load Amps	Notes (a)
Foot Mounted											
2	1800	145T	EM3558T-9	597	ST	13.29	45	86.5	230/460	2.9	1, 30
3	1800	182T	M3611T-9	700	SD	16.54	66	87.5	230/460	4.5	1, 16
		182T	EM3611T-9	700	ST	18.04	83	89.5	230/460	4.3	1, 30
5	1800	184T	EM3615T-9	760	ST	18.05	95	89.5	230/460	7.1	1, 30, 35
7 1/2	1800	213T	EM3710T-9	1,027	ST	19.02	140	91.7	230/460	10.1	1, 30
10	1800	215T	M3714T-9	1,195	SD	19.02	136	89.5	230/460	13.9	1, 16
		215T	EM3714T-9	1,195	ST	20.52	187	91.7	230/460	14	1, 30, 35
15	1800	254T	M2333T-9	2,110	SD	23.36	260	91	230/460	18.7	1, 16
20	1800	256T	M2334T-9	2,546	SD	23.36	268	91	230/460	25.5	1, 16
25	1800	284T	M4103T-9	3,158	SD	27.76	415	92.4	230/460	29	1, 16
30	1800	286T	M4104T-9	3,730	SD	27.76	423	92.4	230/460	35	1, 16
40	1800	324T	M4110T-9	4,948	SD	30.28	535	93	230/460	47	1, 16
50	1800	326T	M4115T-9	5,122	SD	30.28	633	93	230/460	59	1, 16
60	1800	364T	M4314T-9	9,016	SD	33.44	876	94.1	230/460	70.2	1, 16
75	1800	365T	M4316T-9	9,729	SD	33.44	911	94.5	230/460	87.9	1, 16

(a) See notes on inside back flap.
 ■ Cast Iron Frame
 Red Catalog Number indicates **NEW** Product.

General Information

Single Phase Motors

General Purpose Industrial Motors

Severe Duty Motors

Large AC Motors

Washdown Duty Motors

Explosion Proof Motors

Pump Motors

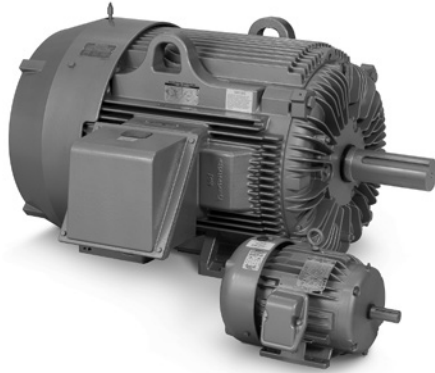
HVAC Motors

Farm Duty Motors

Crusher Motors, Three Phase, TEFC, 460 Volt, Foot Mounted

5 thru 400 Hp

IP55



Features:

- High torque NEMA Design A, exceeds NEMA Design C torques
- 1.25 SF up to 100 Hp, 1.15 SF over 100 Hp
- Oversized ball bearings up to 50 Hp, ball and roller bearing designs 60 Hp and up
- Embossed raised letter, 304 stainless steel nameplates
- Inverter ready nameplate
- "TR" catalog numbers are standard roller bearing

Applications:

- Cement
- Aggregate
- Above ground mining
- Bulk material handling
- Crushers, belt conveyors and screens

Hp	RPM	NEMA Frame	Catalog Number	List Price	Mult. Sym.	"C" Dim.	Aprx. Wt. (lb)	Full Load Efficiency	Voltage	Full Load Amps	Notes (a)
5	1800	184T	ECR9054T	808	ST	15.93	118	89.5	230/460	7.1	12
	1200	215T	ECR9056T	1,395	ST	19.50	226	89.5	230/460	7.5	12
7.5	1800	213T	ECR9074T	1,139	ST	19.50	231	91.7	230/460	9.3	12
	1200	254T	ECR9076T	2,160	ST	24.78	320	91	230/460	10.3	12
10	1800	215T	ECR9104T	1,396	ST	19.50	240	91.7	230/460	12.3	12
	1200	256T	ECR9106T	2,509	ST	24.78	355	91	230/460	14	12
15	1800	254T	ECR9154T	1,933	ST	24.78	286	92.4	230/460	18.6	12
	1200	284T	ECR9156T	3,443	ST	27.93	500	91.7	230/460	19.4	12
20	1800	256T	ECR9204T	2,303	ST	24.78	366	93	230/460	24	12
	1200	286T	ECR9206T	4,145	ST	27.93	535	91.7	230/460	29	12
25	1800	284T	ECR9254T	2,870	ST	27.93	380	93.6	230/460	31	12
	1200	324T	ECR9256T	4,956	ST	30.66	630	93	230/460	34	12
30	1800	286T	ECR9304T	3,375	ST	27.93	465	93.6	230/460	37	12
	1200	326T	ECR9306T	5,522	ST	30.66	680	93	230/460	42	12
40	1800	324T	ECR9404T	4,371	ST	30.66	645	94.1	230/460	49	12
	1200	364T	ECR9406TR	7,620	ST	33.49	918	94.1	230/460	49	5,12
50	1800	326T	ECR9504T	5,335	ST	30.66	700	94.5	230/460	61	12
	1200	365T	ECR9506TR	8,911	ST	33.49	930	94.1	230/460	62	5,12
	900	404T	ECR9508TR	11,302	ST	38.20	1322	92.4	230/460	79.4	5,12
60	1800	364T	ECR9604T	7,504	ST	33.49	977	95	230/460	70	12
		364T	ECR9604TR	7,504	ST	33.49	977	95	230/460	70	5,12
	1200	404T	ECR9606TR	10,992	ST	38.04	1322	94.5	230/460	71	5,12
		405T	ECR9608TR	12,780	ST	38.20	1420	92.4	230/460	93.2	5,12
75	1800	365T	ECR9754T	9,107	ST	33.49	962	95.4	230/460	88	12
		365T	ECR9754TR	9,107	ST	33.49	962	95.4	230/460	88	5,12
	1200	405T	ECR9756TR-4	12,615	ST	38.04	1422	94.5	460	91	5,12
		444T	ECR9758TR-4	15,648	ST	44.87	1874	93.6	460	98.8	5,12
100	1800	405T	ECR91004T-4	12,229	ST	38.04	1390	95.4	460	115	12
		405T	ECR91004TR-4	12,229	ST	38.04	1390	95.4	460	115	5,12
	1200	444T	ECR91006TR-4	16,353	ST	44.75	2029	95	460	119	5,12
		445T	ECR91008TR-4	17,450	ST	44.75	2129	93.6	460	133	5,12
125	1800	444T	ECR91254T-4	15,444	ST	44.75	1964	95.4	460	149	1
		444T	ECR91254TR-4	15,444	ST	44.75	1964	95.4	460	149	1, 5
	1200	445T	ECR91256TR-4	18,794	ST	44.75	1874	95.4	460	153	1, 5
		447T	ECR91258TR-4	22,580	ST	48.24	2380	94.1	460	171	1, 5
150	1800	445T	ECR91504T-4	18,224	ST	44.75	1996	95.8	460	168	1
		445T	ECR91504TR-4	18,224	ST	44.75	1996	95.8	460	168	1, 5
	1200	447T	ECR91506TR-4	21,592	ST	48.24	2459	95.8	460	177	1, 5
		449T	ECR91508TR-4	25,938	ST	53.47	2648	94.5	460	196	1, 5

(a) See notes on inside back flap.

Cast Iron Frame

Red Catalog Number indicates **NEW** Product.

Crusher Motors, Three Phase, TEFC, 460 Volt, Foot Mounted

Hp	RPM	NEMA Frame	Catalog Number	List Price	Mult. Sym.	"C" Dim.	Aprx. Wt. (lb)	Full Load Efficiency	Voltage	Full Load Amps	Notes (a)
200	1800	447T	ECR92004T-4	22,072	ST	48.24	2455	96.2	460	225	1
		447T	ECR92004TR-4	22,072	ST	48.24	2455	96.2	460	225	1, 5
	1200	449T	ECR92006TR-4	26,293	ST	53.24	3125	95.8	460	232	1, 5
	900	L449T	ECR92008TR-4	32,634	ST	60.22	3430	94.5	460	277	1, 5
250	1800	449T	ECR92504T-4	22,387	ST	53.24	2694	96.2	460	278	1
		449T	ECR92504TR-4	22,387	ST	53.24	2694	96.2	460	278	1, 5
	1200	449T	ECR92506TR-4	30,113	ST	53.24	3225	95.8	460	283	1, 5
	900	L449T	ECR92508TR-4	41,194	ST	60.22	3390	95	460	359	1, 5
300	1800	449T	ECR93004T-4	31,370	ST	53.24	2888	96.2	460	336	1
		449T	ECR93004TR-4	31,370	ST	53.24	2888	96.2	460	336	1, 5
	1200	L449T	ECR93006TR-4	39,347	ST	60.21	3683	95.8	460	381	1, 5
350	1800	449T	ECR93504T-4	34,740	ST	53.24	3027	96.2	460	390	1
		449T	ECR93504TR-4	34,740	ST	53.24	3027	96.2	460	390	1, 5
	1200	L449T	ECR93506TR-4	43,718	ST	60.21	3683	95.8	460	433	1, 5
400	1800	L449T	ECR94004T-4	40,396	ST	53.24	3875	96.2	460	442	1
		L449T	ECR94004TR-4	40,396	ST	60.21	3875	96.2	460	442	1, 5

(a) See notes on inside back flap.
 ■ Cast Iron Frame
 Red Catalog Number indicates **NEW** Product.

Crusher Duty Conversion Base



Conversion base kit **CB5744T**
with **ECR93504TR-4**

Applications: Designed to meet the needs of the Aggregate & Mining Industry where the installed base of motors includes similar rating in both 449T and 586/587 frames. This conversion base kit will allow a customer to mount any Baldor-Reliance NEMA 449T frame into an existing NEMA 586/587 application.

Features:

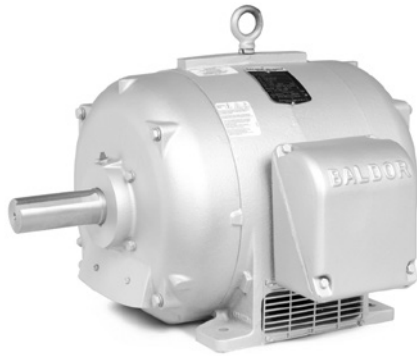
- Left and right hand pieces marked for easy identification
- Compensates for height, position & mounting hole locations

Catalog Number	Converts From	Converts To.	List Price	Mult. Sym.	Aprx. Wt. (lb)	Height (in.)	Width (in.)	Length (in.)
CB5744T	449T	586T/576	2,458	A8	465	3.5	6.5	35.75

For a complete listing of available conversion bases, please see the Motor Accessories section.

Oil Field Pump, Three Phase, TEFC and ODP, Design D, Foot Mounted

3 thru 150 Hp



Features:

- High slip design
- Totally enclosed frames (IP55) – all cast iron construction: frames, conduit box & fan cover
- Open frames – steel band and cast iron designs with rodent screens
- F-2 conduit box location
- 3 normally closed thermostats

Applications:

- Beam pumping units
- Punch presses
- Other high cycle industrial applications

Hp	RPM	NEMA Frame	Catalog Number	List Price	Mult. Sym.	"C" Dim.	Aprx. Wt. (lb)	Full Load Efficiency	Voltage	Full Load Amps	Notes (a)
Totally Enclosed Fan Cooled, 230/460/796 VAC											
3	1200	213T	OF3764T	2,314	SD	19.32	164	80	230/460/796	3.1	1
5	1200	215T	OF3768T	2,565	SD	19.32	196	80	230/460/796	4.4	1
7 1/2	1200	254T	OF2276T	3,127	SD	23.25	257	84	230/460/796	7.5	1
10	1200	256T	OF2332T	3,482	SD	23.25	288	84	230/460/796	9	1
15	1200	284T	OF4100T	5,553	SD	27.56	418	87.5	230/460/796	11.6	1
20	1200	286T	OF4102T	6,709	SD	27.56	469	87.5	230/460/796	15	1
25	1200	324T	OF4111T	8,096	SD	30.27	575	87.5	230/460/796	19	1
Totally Enclosed Fan Cooled, 460/796 VAC											
30	1200	326T	OF4117T	9,817	SD	30.27	619	88.5	460/796	22.5	1
40	1200	364T	OF4308T	10,877	SD	33.44	938	89.5	460/796	28	1
50	1200	404T	OF4312T	14,089	SD	38.20	1275	89.5	460/796	33.9	1
60	1200	405T	OF4403T	17,426	SD	38.20	1348	90.2	460/796	40.5	1
75	1200	444T	OF4404T	18,899	SD	40.98	1850	88.5	460/796	51.5	1
100	1200	445T	OF4409T	24,566	SD	48.24	2074	90.2	460/796	67.6	1
125	1200	447T	OF4411T	31,535	SD	53.24	2881	91	460/796	83.7	1
150	1200	449T	OF44156T	37,249	SD	53.24	3169	91.7	460/796	99.9	1
Open Drip Proof, 230/460/796 VAC											
3	1200	213T	OF3303T	1,414	SD	18.13	92	81.5	230/460/796	3.1	2
5	1200	215T	OF3305T	1,876	SD	18.13	136	82.5	230/460/796	4.7	2
7 1/2	1200	254T	OF3307T	2,339	SD	24.18	211	81.5	230/460/796	7.2	2
		254T	OF3407T	2,565	SD	20.63	231	84	230/460/796	7.2	1
10	1200	256T	OF3310T	2,834	SD	24.18	231	82.5	230/460/796	9.2	2
		256T	OF3410T	2,997	SD	22.38	273	84	230/460/796	9	1
15	1200	284T	OF3315T	3,975	SD	26.31	299	85.5	230/460/796	13	1
		284T	OF3415T	4,200	SD	23.44	340	85.5	230/460/796	13.3	1
20	1200	286T	OF3320T	4,762	SD	26.31	329	84	230/460/796	17.2	1
		286T	OF3420T	4,982	SD	24.94	383	86.5	230/460/796	16.8	1
25	1200	324T	OF3325T	6,119	SD	29.18	458	85.5	230/460/796	20	1
		324T	OF3425T	6,510	SD	26.13	487	85.5	230/460/796	20	1
Open Drip Proof, 460/796 VAC											
30	1200	326T	OF3330T	7,444	SD	29.18	443	85.5	460/796	24	1
		326T	OF3430T	7,873	SD	27.63	524	85.5	460/796	24	1
40	1200	365T	OF3340T	9,483	SD	29.94	572	88.5	460/796	32.5	1
		365T	OF3440T	10,052	SD	29.70	714	87.5	460/796	28.4	1
50	1200	404T	OF3350T	11,088	SD	34.00	908	87.5	460/796	36.7	1
60	1200	404T	OF3360T	12,458	SD	34.00	1024	89.5	460/796	41.3	1
75	1200	404T	OF3375T	14,703	SD	34.00	1119	89.5	460/796	50.8	1
100	1200	445T	OF33100T	15,621	SD	39.56	1620	89.5	460/796	69.9	1
125	1200	449T	OF33125T	19,802	SD	48.06	2370	91	460	145	1

(a) See notes on inside back flap.

■ Cast Iron Frame

Custom TEFC motors available through 2,250 Hp; Open and WPII custom motors through 15,000 Hp. Contact your local Baldor•Reliance Sales Representative.

Division 2 Capabilities

The following list of Severe Duty motors are marked for Division 2, Class I, Group A,B,C,D for Sine Wave and Inverter Power. They also include Equivalent Zone markings for Class I, Zone 2, Groups IIA, IIB, IIC for Sine Wave and Inverter Power.

Division 2 Temp Codes are provided in the standard format per the NEC Article 500 requirements. Equivalent Zone Temp Codes are provided in the "T=°C" format because NEC Article 505 does not allow all T Codes permitted by NEC 500. Inverter Temp Codes are provided in the "T=°C" format because they apply to both the Equivalent Zone (NEC 505) requirements and NEC 500 requirements. Please reference the following table for Temperature and Temp Code values.

Maximum Surface Temperature	US (NEC 500) CA (CEC Annex J)	US (NEC 505) CA (CEC Section 18)
450° C	T1	T1
300° C	T2	T2
280° C	T2A	-
260° C	T2B	-
230° C	T2C	-
215° C	T2D	-
200° C	T3	T3

Maximum Surface Temperature	US (NEC 500) CA (CEC Annex J)	US (NEC 505) CA (CEC Section 18)
180° C	T3A	-
165° C	T3B	-
160° C	T3C	-
135° C	T4	T4
120° C	T4A	-
100° C	T5	T5
85° C	T6	T6

Catalog Number	Sine Wave, 1.15 S.F.		Inverter Power, 1.0 S.F.			
	Sine Wave Temp Code	Equivalent Zone Temp Code T = °C	Inverter Temp Code T = °C	V.T. Speed Range (Hz)*	C.T. Speed Range (Hz)*	CHP Speed Range (Hz)
CECP2276T	T3C	160°C	180°C	0-60	0-60	60-90
CECP2294T	T3C	160°C	180°C	3-60	6-60	60-90
CECP2332T	T3C	160°C	180°C	0-60	0-60	60-90
CECP2333T	T3C	160°C	180°C	0-60	0-60	60-90
CECP2333T-4	T3C	160°C	180°C	0-60	0-60	60-90
CECP2334T	T3C	160°C	180°C	0-60	0-60	60-90
CECP2334T-4	T3C	160°C	180°C	0-60	0-60	60-90
CECP3581T	T4	135°C	135°C	0-60	0-60	60-90
CECP3582T	T4	135°C	135°C	0-60	0-60	60-90
CECP3584T	T4	135°C	135°C	0-60	0-60	60-90
CECP3587T	T4	135°C	135°C	0-60	0-60	60-90
CECP3660T	T3C	160°C	160°C	3-60	6-60	60-90
CECP3661T	T3C	160°C	160°C	0-60	0-60	60-90
CECP3663T	T3B	165°C	160°C	3-60	6-60	60-90
CECP3664T	T3C	160°C	160°C	0-60	0-60	60-90
CECP3665T	T3B	165°C	160°C	0-60	0-60	60-90
CECP3667T	T3C	160°C	160°C	0-60	0-60	60-90
CECP3764T	T3C	160°C	160°C	0-60	0-60	60-90
CECP3768T	T3C	160°C	160°C	0-60	0-60	60-90
CECP3769T	T3C	160°C	160°C	3-60	6-60	60-90
CECP3770T	T3C	160°C	160°C	0-60	0-60	60-90
CECP3771T	T3C	160°C	160°C	3-60	6-60	60-90
CECP3774T	T3A	180°C	160°C	0-60	0-60	60-90
CECP4100T	T3C	160°C	180°C	0-60	0-60	60-90
CECP4102T	T3C	160°C	180°C	0-60	0-60	60-90
CECP4103T	T3C	160°C	180°C	0-60	0-60	60-90
CECP4103T-4	T3C	160°C	180°C	0-60	0-60	60-90
CECP4104T	T3C	160°C	180°C	0-60	0-60	60-90
CECP4104T-4	T3C	160°C	180°C	0-60	0-60	60-90
CECP4106T	T3	200°C	200°C	3-60	6-60	60-90
CECP4107T	T3	200°C	200°C	3-60	6-60	60-90
CECP4108T	T3	200°C	200°C	3-60	6-60	60-90
CECP4109T	T3	200°C	200°C	3-60	6-60	60-90
CECP4110T	T3	200°C	200°C	0-60	0-60	60-90
CECP4111T	T3	200°C	200°C	0-60	0-60	60-90
CECP4114T	T3	200°C	200°C	3-60	6-60	60-90
CECP4115T	T3	200°C	200°C	0-60	0-60	60-90
CECP4117T	T3	200°C	200°C	0-60	0-60	60-90
CECP4308T	T3A	180°C	180°C	0-60	6-60	60-90
CECP4312T	T3A	180°C	180°C	0-60	6-60	60-90

Catalog Number	Sine Wave, 1.15 S.F.		Inverter Power, 1.0 S.F.			
	Sine Wave Temp Code	Equivalent Zone Temp Code T = °C	Inverter Temp Code T = °C	V.T. Speed Range (Hz)*	C.T. Speed Range (Hz)*	CHP Speed Range (Hz)
CECP82276T-4	T3C	160°C	180°C	0-60	0-60	60-90
CECP82332T-4	T3C	160°C	180°C	0-60	0-60	60-90
CECP82333T-4	T3C	160°C	180°C	0-60	0-60	60-90
CECP82333T-5	T3C	160°C	180°C	0-60	0-60	60-90
CECP82334T-4	T3C	160°C	180°C	0-60	0-60	60-90
CECP82334T-5	T3C	160°C	180°C	0-60	0-60	60-90
CECP82394T-4	T3C	160°C	180°C	3-60	6-60	60-90
CECP83580T-4	T4	135°C	135°C	3-60	6-60	60-90
CECP83581T-4	T4	135°C	135°C	0-60	0-60	60-90
CECP83581T-5	T4	135°C	135°C	0-60	0-60	60-90
CECP83582T-4	T4	135°C	135°C	0-60	0-60	60-90
CECP83583T-4	T4	135°C	135°C	3-60	6-60	60-90
CECP83584T-4	T4	135°C	135°C	0-60	0-60	60-90
CECP83586T-4	T4	135°C	135°C	3-60	6-60	60-90
CECP83587T-4	T4	135°C	135°C	0-60	0-60	60-90
CECP83587T-5	T4	135°C	135°C	0-60	0-60	60-90
CECP83660T-4	T3C	160°C	160°C	3-60	6-60	60-90
CECP83661T-4	T3C	160°C	160°C	0-60	0-60	60-90
CECP83661T-5	T3C	160°C	160°C	0-60	0-60	60-90
CECP83663T-4	T3C	160°C	160°C	3-60	6-60	60-90
CECP83664T-4	T3C	160°C	160°C	0-60	0-60	60-90
CECP83665T-4	T3A	180°C	160°C	0-60	0-60	60-90
CECP83665T-5	T3A	180°C	160°C	0-60	0-60	60-90
CECP83667T-4	T3C	160°C	160°C	0-60	0-60	60-90
CECP83764T-4	T3C	160°C	160°C	0-60	0-60	60-90
CECP83768T-4	T3C	160°C	160°C	0-60	0-60	60-90
CECP83769T-4	T3C	160°C	160°C	3-60	6-60	60-90
CECP83770T-4	T3C	160°C	160°C	0-60	0-60	60-90
CECP83770T-5	T3C	160°C	160°C	0-60	0-60	60-90
CECP83771T-4	T3C	160°C	160°C	3-60	6-60	60-90
CECP83774T-4	T3	200°C	160°C	0-60	0-60	60-90
CECP83774T-5	T3B	165°C	160°C	0-60	0-60	60-90
CECP84100T-4	T3C	160°C	180°C	0-60	0-60	60-90
CECP84102T-4	T3C	160°C	180°C	0-60	0-60	60-90
CECP84103T-4	T3C	160°C	180°C	0-60	0-60	60-90
CECP84103T-5	T3C	160°C	180°C	0-60	0-60	60-90
CECP84104T-4	T3C	160°C	180°C	0-60	0-60	60-90
CECP84104T-5	T3C	160°C	180°C	0-60	0-60	60-90
CECP84106T-4	T3	200°C	200°C	3-60	6-60	60-90
CECP84107T-4	T3	200°C	200°C	3-60	6-60	60-90

* 0 Hz = motor slip Hz

Division 2 Capabilities continued

Catalog Number	Sine Wave, 1.15 S.F.		Inverter Power, 1.0 S.F.			
	Sine Wave Temp Code	Equivalent Zone Temp Code T = °C	Inverter Temp Code T = °C	V.T. Speed Range (Hz)*	C.T. Speed Range (Hz)*	CHP Speed Range (Hz)
CECP84108T-4	T3	200°C	200°C	3-60	6-60	60-90
CECP84109T-4	T3	200°C	200°C	3-60	6-60	60-90
CECP84110T-4	T3	200°C	200°C	0-60	0-60	60-90
CECP84110T-5	T3	200°C	200°C	0-60	0-60	60-90
CECP84111T-4	T3	200°C	200°C	0-60	0-60	60-90
CECP84114T-4	T3	200°C	200°C	3-60	6-60	60-90
CECP84115T-4	T3	200°C	200°C	0-60	0-60	60-90
CECP84115T-5	T3	200°C	200°C	0-60	0-60	60-90
CECP84117T-4	T3	200°C	200°C	0-60	0-60	60-90
CECP84308T-4	T3A	180°C	180°C	0-60	6-60	60-90
CECP84310T-4	T3	200°C	200°C	0-60	6-60	60-75
CECP84312T-4	T3A	180°C	180°C	0-60	6-60	60-90
CECP84313T-4	T2D	215°C	200°C	0-60	15-60	60-75
CECP84314T-4	T3	200°C	200°C	0-60	10-60	60-90
CECP84316T-4	T3	200°C	200°C	0-60	15-60	60-90
CENCP83580T-4	T3C	160°C	160°C	3-60	6-60	60-90
CENCP83581T-4	T4	135°C	135°C	0-60	0-60	60-90
ECP2276T	T3C	160°C	180°C	0-60	0-60	60-90
ECP2276T-4	T3C	160°C	180°C	0-60	0-60	60-90
ECP2276T-5	T3C	160°C	180°C	0-60	0-60	60-90
ECP2280T-4	T3C	160°C	180°C	0-60	0-60	60-90
ECP2294T	T3C	160°C	180°C	3-60	6-60	60-90
ECP2332T	T3C	160°C	180°C	0-60	0-60	60-90
ECP2332T-4	T3C	160°C	180°C	0-60	0-60	60-90
ECP2332T-5	T3C	160°C	180°C	0-60	0-60	60-90
ECP2333T	T3C	160°C	180°C	0-60	0-60	60-90
ECP2333T-4	T3C	160°C	180°C	0-60	0-60	60-90
ECP2333T-5	T3C	160°C	180°C	0-60	0-60	60-90
ECP2334T	T3C	160°C	180°C	0-60	0-60	60-90
ECP2334T-4	T3C	160°C	180°C	0-60	0-60	60-90
ECP2334T-5	T3C	160°C	180°C	0-60	0-60	60-90
ECP2394T-4	T3C	160°C	180°C	3-60	6-60	60-90
ECP2394T-5	T3C	160°C	180°C	3-60	6-60	60-90
ECP2395T-4	T3	200°C	200°C	0-60	0-60	60-90
ECP2401T-4	T3C	160°C	200°C	0-60	0-60	60-90
ECP2402T-4	T3A	180°C	180°C	0-60	0-60	60-90
ECP3580T	T4	135°C	135°C	3-60	6-60	60-90
ECP3580T-4	T4	135°C	135°C	3-60	6-60	60-90
ECP3580T-5	T4	135°C	135°C	3-60	6-60	60-90
ECP3581T	T4	135°C	135°C	0-60	0-60	60-90
ECP3581T-4	T4	135°C	135°C	0-60	0-60	60-90
ECP3581T-5	T4	135°C	135°C	0-60	0-60	60-90
ECP3582T	T4	135°C	135°C	0-60	0-60	60-90
ECP3582T-4	T4	135°C	135°C	0-60	0-60	60-90
ECP3583T	T4	135°C	135°C	3-60	6-60	60-90
ECP3583T-4	T4	135°C	135°C	3-60	6-60	60-90
ECP3584T	T4	135°C	135°C	0-60	0-60	60-90
ECP3584T-4	T4	135°C	135°C	0-60	0-60	60-90
ECP3584T-5	T4	135°C	135°C	0-60	0-60	60-90
ECP3586T	T4	135°C	135°C	3-60	6-60	60-90
ECP3586T-4	T4	135°C	135°C	3-60	6-60	60-90
ECP3587T	T4	135°C	135°C	0-60	0-60	60-90
ECP3587T-4	T4	135°C	135°C	0-60	0-60	60-90
ECP3587T-5	T4	135°C	135°C	0-60	0-60	60-90
ECP3660T	T3C	160°C	160°C	3-60	6-60	60-90
ECP3660T-4	T3C	160°C	160°C	3-60	6-60	60-90
ECP3660T-5	T3C	160°C	160°C	3-60	6-60	60-90
ECP3661T	T3C	160°C	160°C	0-60	0-60	60-90
ECP3661T-4	T3C	160°C	160°C	0-60	0-60	60-90

Catalog Number	Sine Wave, 1.15 S.F.		Inverter Power, 1.0 S.F.			
	Sine Wave Temp Code	Equivalent Zone Temp Code T = °C	Inverter Temp Code T = °C	V.T. Speed Range (Hz)*	C.T. Speed Range (Hz)*	CHP Speed Range (Hz)
ECP3661T-5	T3C	160°C	160°C	0-60	0-60	60-90
ECP3663T	T3B	165°C	160°C	3-60	6-60	60-90
ECP3663T-4	T3C	160°C	160°C	0-60	0-60	60-90
ECP3663T-5	T3C	160°C	160°C	0-60	0-60	60-90
ECP3664T	T3C	160°C	160°C	0-60	0-60	60-90
ECP3664T-4	T3C	160°C	160°C	0-60	0-60	60-90
ECP3665T	T3B	165°C	160°C	0-60	0-60	60-90
ECP3665T-4	T3A	180°C	160°C	0-60	0-60	60-90
ECP3665T-5	T3A	180°C	160°C	0-60	0-60	60-90
ECP3667T	T3C	160°C	160°C	0-60	0-60	60-90
ECP3667T-4	T3C	160°C	160°C	0-60	0-60	60-90
ECP3668T-4	T3A	180°C	200°C	3-60	6-60	60-90
ECP3687T-4	T3B	165°C	160°C	3-60	6-60	60-90
ECP3764T	T3C	160°C	160°C	0-60	0-60	60-90
ECP3764T-4	T3C	160°C	160°C	0-60	0-60	60-90
ECP3764T-5	T3C	160°C	160°C	0-60	0-60	60-90
ECP3768T	T3C	160°C	160°C	0-60	0-60	60-90
ECP3768T-4	T3C	160°C	160°C	0-60	0-60	60-90
ECP3768T-5	T3C	160°C	160°C	0-60	0-60	60-90
ECP3769T	T3C	160°C	160°C	3-60	6-60	60-90
ECP3769T-4	T3C	160°C	160°C	3-60	6-60	60-90
ECP3769T-5	T3C	160°C	160°C	3-60	6-60	60-90
ECP3770T	T3C	160°C	160°C	0-60	0-60	60-90
ECP3770T-4	T3C	160°C	160°C	0-60	0-60	60-90
ECP3770T-5	T3C	160°C	160°C	0-60	0-60	60-90
ECP3771T	T3C	160°C	160°C	3-60	6-60	60-90
ECP3771T-4	T3A	180°C	180°C	3-60	6-60	60-90
ECP3771T-5	T3A	180°C	180°C	3-60	6-60	60-90
ECP3772T-4	T3C	160°C	160°C	3-60	6-60	60-90
ECP3774T	T3A	180°C	160°C	0-60	0-60	60-90
ECP3774T-4	T3A	180°C	160°C	0-60	0-60	60-90
ECP3774T-5	T3A	180°C	160°C	0-60	0-60	60-90
ECP3775T-4	T3C	160°C	160°C	3-60	6-60	60-90
ECP4100T	T3C	160°C	180°C	0-60	0-60	60-90
ECP4100T-4	T3C	160°C	180°C	0-60	0-60	60-90
ECP4100T-5	T3C	160°C	180°C	0-60	0-60	60-90
ECP4102T	T3C	160°C	180°C	0-60	0-60	60-90
ECP4102T-4	T3C	160°C	180°C	0-60	0-60	60-90
ECP4102T-5	T3C	160°C	180°C	0-60	0-60	60-90
ECP4103T	T3C	160°C	180°C	0-60	0-60	60-90
ECP4103T-4	T3C	160°C	180°C	0-60	0-60	60-90
ECP4103T-5	T3C	160°C	180°C	0-60	0-60	60-90
ECP4104T	T3C	160°C	180°C	0-60	0-60	60-90
ECP4104T-4	T3C	160°C	180°C	0-60	0-60	60-90
ECP4104T-5	T3C	160°C	180°C	0-60	0-60	60-90
ECP4106T	T3	200°C	200°C	3-60	6-60	60-90
ECP4106T-4	T3	200°C	200°C	3-60	6-60	60-90
ECP4106T-5	T3	200°C	200°C	3-60	6-60	60-90
ECP4107T	T3	200°C	200°C	3-60	6-60	60-90
ECP4107T-4	T3	200°C	200°C	3-60	6-60	60-90
ECP4108T	T3	200°C	200°C	3-60	6-60	60-90
ECP4108T-4	T3	200°C	200°C	3-60	6-60	60-90
ECP4109T	T3	200°C	200°C	3-60	6-60	60-90
ECP4109T-4	T3	200°C	200°C	3-60	6-60	60-90
ECP4110T	T3	200°C	200°C	0-60	0-60	60-90
ECP4110T-4	T3	200°C	200°C	0-60	0-60	60-90
ECP4110T-5	T3	200°C	200°C	0-60	0-60	60-90
ECP4111T	T3	200°C	200°C	0-60	0-60	60-90
ECP4111T-4	T3	200°C	200°C	0-60	0-60	60-90

* 0 Hz = motor slip Hz

General Information

Single Phase Motors

General Purpose Industrial Motors

Severe Duty Motors

Large AC Motors

Washdown Duty Motors

Explosion Proof Motors

Pump Motors

HVAC Motors

Farm Duty Motors

Division 2 Capabilities continued

Catalog Number	Sine Wave, 1.15 S.F.		Inverter Power, 1.0 S.F.			
	Sine Wave Temp Code	Equivalent Zone Temp Code T = °C	Inverter Temp Code T = °C	V.T. Speed Range (Hz)*	C.T. Speed Range (Hz)*	CHP Speed Range (Hz)
ECP4111T-5	T3	200°C	200°C	0-60	0-60	60-90
ECP4112T-4	T3	200°C	200°C	0-60	0-60	60-90
ECP4113T-4	T3	200°C	200°C	0-60	6-60	60-90
ECP4114T	T3	200°C	200°C	3-60	6-60	60-90
ECP4114T-4	T3	200°C	200°C	3-60	6-60	60-90
ECP4115T	T3	200°C	200°C	0-60	0-60	60-90
ECP4115T-4	T3	200°C	200°C	0-60	0-60	60-90
ECP4115T-5	T3	200°C	200°C	0-60	0-60	60-90
ECP4117T	T3	200°C	200°C	0-60	0-60	60-90
ECP4117T-4	T3	200°C	200°C	0-60	0-60	60-90
ECP4124T-4	T3	200°C	200°C	3-60	6-60	60-90
ECP4308T	T3A	180°C	180°C	0-60	6-60	60-90
ECP4308T-4	T3A	180°C	180°C	0-60	6-60	60-90
ECP4310T	T3	200°C	200°C	0-60	6-60	60-75
ECP4310T-4	T3	200°C	200°C	0-60	6-60	60-75
ECP4312T	T3A	180°C	180°C	0-60	6-60	60-90
ECP4312T-4	T3A	180°C	180°C	0-60	6-60	60-90
ECP4313T	T3	200°C	200°C	0-60	10-60	60-75
ECP4313T-4	T3	200°C	200°C	0-60	10-60	60-75
ECP4314T	T3	200°C	200°C	0-60	10-60	60-90
ECP4314T-4	T3	200°C	200°C	0-60	10-60	60-90
ECP4314T-5	T3	200°C	200°C	0-60	10-60	60-90
ECP4315T-4	T3C	160°C	180°C	0-60	6-60	60-90
ECP4316T	T3	200°C	200°C	0-60	30-60	60-90
ECP4316T-4	T3	200°C	200°C	0-60	30-60	60-90
ECP4316T-5	T3	200°C	200°C	0-60	30-60	60-90
ECP4316TR-4	T3	200°C	200°C	0-60	30-60	60-90
ECP4400T-4	T2D	215°C	215°C	0-60	10-60	60-90
ECP4400T-5	T2D	215°C	215°C	0-60	10-60	60-90
ECP4400TR-4	T2D	215°C	215°C	0-60	10-60	60-90
ECP4400TS-4	T2D	215°C	215°C	0-60	10-60	60-90
ECP4402T	T3	200°C	200°C	0-60	6-60	60-75
ECP4402T-4	T3	200°C	200°C	0-60	6-60	60-75
ECP4403T	T3A	180°C	180°C	0-60	6-60	60-90
ECP4403T-4	T3A	180°C	180°C	0-60	6-60	60-90
ECP4403TR-4	T3	200°C	200°C	0-60	10-60	60-90
ECP4404T	T3	200°C	200°C	0-60	10-60	60-90
ECP4404T-4	T3	200°C	200°C	0-60	10-60	60-90
ECP4404TR-4	T3	200°C	200°C	0-60	10-60	60-90
ECP4406T-4	T3	200°C	200°C	0-60	15-60	60-90
ECP4406T-5	T3	200°C	200°C	0-60	15-60	60-90
ECP4406TR-4	T3	200°C	200°C	0-60	15-60	60-90
ECP4407T-4	T3	200°C	200°C	0-60	30-60	60-90
ECP4407T-5	T3	200°C	200°C	0-60	30-60	60-90
ECP4407TR-4	T3	200°C	200°C	0-60	30-60	60-90
ECP4407TS-4	T3	200°C	200°C	0-60	30-60	60-90
ECP4408T-4	T3	200°C	200°C	0-60	30-60	60-90
ECP4408TR-4	T3	200°C	200°C	0-60	30-60	60-90
ECP4409T-4	T3	200°C	200°C	0-60	15-60	60-90
ECP4409TR-4	T3	200°C	200°C	0-60	15-60	60-90
ECP4410T-4	T3	200°C	200°C	0-60	10-60	60-90
ECP4410T-5	T3	200°C	200°C	0-60	10-60	60-90
ECP4410TR-4	T3	200°C	200°C	0-60	10-60	60-90
ECP4411T-4	T3	200°C	200°C	0-60	15-60	60-90
ECP4411TR-4	T3	200°C	200°C	0-60	15-60	60-90
ECP4412T	T3	200°C	200°C	0-60	15-60	60-75
ECP4412T-4	T3	200°C	200°C	0-60	15-60	60-75
ECP4413T-4	T3	200°C	200°C	0-60	10-60	60-75
ECP44156T-4	T3	200°C	200°C	0-60	15-60	60-90

Catalog Number	Sine Wave, 1.15 S.F.		Inverter Power, 1.0 S.F.			
	Sine Wave Temp Code	Equivalent Zone Temp Code T = °C	Inverter Temp Code T = °C	V.T. Speed Range (Hz)*	C.T. Speed Range (Hz)*	CHP Speed Range (Hz)
ECP44156TR-4	T3	200°C	200°C	0-60	15-60	60-90
ECP4416T-4	T3	200°C	200°C	0-60	30-60	60-75
ECP4417T-4	T3C	160°C	200°C	3-60	6-60	60-90
ECP4418T-4	T3A	180°C	180°C	0-60	6-60	60-90
ECP4419T-4	T3	200°C	200°C	0-60	10-60	60-90
ECP44206T-4	T3	200°C	200°C	0-60	30-60	60-90
ECP44206TR-4	T3	200°C	200°C	0-60	30-60	60-90
ECP4420T-4	T3	200°C	200°C	0-60	15-60	60-90
ECP4421T-4	T3	200°C	200°C	0-60	30-60	60-90
ECP4422T-4	T3	200°C	200°C	0-60	15-60	60-90
ECP4423T-4	T2C	230°C	230°C	0-60	30-60	60-90
ECP44252T-4	T2C	230°C	230°C	0-60	30-60	60-75
ECP44256T-4	T2C	230°C	230°C	0-60	30-60	60-90
ECP44256TR-4	T2C	230°C	230°C	0-60	30-60	60-90
ECP44302T-4	T2C	230°C	230°C	0-60	30-60	60-75
ECP44304T-4	T2C	230°C	230°C	0-60	30-60	60-90
ECP44304TR-4	T2C	230°C	230°C	0-60	30-60	60-90
ECP44352T-4	T2C	230°C	230°C	0-60	30-60	60-75
ECP44402T-4	T2C	230°C	230°C	0-60	30-60	60-75
ECP49306T-4	T2C	230°C	230°C	0-60	30-60	60-90
ECP49354T-4	T2C	230°C	230°C	0-60	30-60	60-90
ECP49404T-4	T2C	230°C	230°C	0-60	30-60	60-90
CP50356LR-4	T3C	160°C	160°C	6-60	30-60	60-90
ECP50356LR-4	T3C	160°C	160°C	6-60	30-60	60-90
ECP50358LR-4	T3C	160°C	160°C	6-60	30-60	60-90
CP50406LR-4	T3C	160°C	160°C	6-60	30-60	60-90
ECP50406LR-4	T3C	160°C	160°C	6-60	30-60	60-90
ECP50408LR-4	T3C	160°C	160°C	6-60	30-60	60-90
CP50452S-4	T2A	280°C	280°C	6-60	30-60	60-70
ECP50452S-4	T2A	280°C	280°C	6-60	30-60	60-70
CP50454L-4	T2D	215°C	215°C	6-60	30-60	60-66
ECP50454L-4	T2D	215°C	215°C	6-60	30-60	60-66
CP50456LR-4	T3A	180°C	180°C	6-60	30-60	60-90
ECP50456LR-4	T3A	180°C	180°C	6-60	30-60	60-90
ECP50458LR-4	T3B	165°C	165°C	6-60	30-60	60-90
ECP50502S-4	T2	300°C	300°C	6-60	30-60	60-70
CP50504L-4	T2C	230°C	230°C	6-60	30-60	60-66
ECP50504L-4	T2C	230°C	230°C	6-60	30-60	60-66
CP50506LR-4	T3A	180°C	180°C	6-60	30-60	60-90
ECP50506LR-4	T3A	180°C	180°C	6-60	30-60	60-90
ECP50508LR-4	T3	200°C	200°C	6-60	30-60	60-90
CP58602S-4	T2	300°C	300°C	6-60	30-60	(2)
CP50604L-4	T2C	230°C	230°C	6-60	30-60	60-66
CP50606LR-4	T2C	230°C	230°C	6-60	30-60	60-75
CP58608LR-4	T3A	180°C	180°C	6-60	30-60	60-90
CP58702S-4	T2B	260°C	260°C	6-60	30-60	(2)
CP50704L-4	T2C	230°C	230°C	6-60	30-60	60-66
CP58706LR-4	T3A	180°C	180°C	6-60	30-60	60-90
CP58708LR-4	T3A	180°C	180°C	6-60	30-60	60-90
CP58802S-4	T2B	260°C	260°C	6-60	30-60	(2)
CP50804L-4	(1)	(1)	(1)	(1)	(1)	(1)
CP58806LR-4	T3A	180°C	180°C	6-60	30-60	60-75
CP50808LR-4	T3A	180°C	180°C	6-60	30-60	60-75
ECP62333TR-4	T3C	160°C	180°C	0-60	0-60	60-90
ECP62334TR-4	T3C	160°C	180°C	0-60	0-60	60-90
ECP63665T-4	T3A	180°C	160°C	0-60	0-60	60-90
ECP63770TR-4	T3C	160°C	160°C	0-60	0-60	60-90
ECP63774TR-4	T3	200°C	160°C	0-60	0-60	60-90
ECP64103TR-4	T3C	160°C	180°C	0-60	0-60	60-90

NOTE: (1) Please contact Baldor for specific data for this rating (2) Overspeed capability not available * 0 Hz = motor slip Hz

For more information visit baldor.com

Division 2 Capabilities continued

Catalog Number	Sine Wave, 1.15 S.F.		Inverter Power, 1.0 S.F.			
	Sine Wave Temp Code	Equivalent Zone Temp Code T = °C	Inverter Temp Code T = °C	V.T. Speed Range (Hz)*	C.T. Speed Range (Hz)*	CHP Speed Range (Hz)
ECP64104TR-4	T3C	160°C	180°C	0-60	0-60	60-90
ECP64110TR-4	T3	200°C	200°C	0-60	0-60	60-90
ECP64115TR-4	T3	200°C	200°C	0-60	0-60	60-90
ECP64314TR-4	T3	200°C	200°C	0-60	10-60	60-90
ECP64316TR-4	T3	200°C	200°C	0-60	15-60	60-90
ECP82276T-4	T3C	160°C	180°C	0-60	0-60	60-90
ECP82276T-5	T3C	160°C	180°C	0-60	0-60	60-90
ECP82332T-4	T3C	160°C	180°C	0-60	0-60	60-90
ECP82332T-5	T3C	160°C	180°C	0-60	0-60	60-90
ECP82333T-4	T3C	160°C	180°C	0-60	0-60	60-90
ECP82333T-5	T3C	160°C	180°C	0-60	0-60	60-90
ECP82334T-4	T3C	160°C	180°C	0-60	0-60	60-90
ECP82334T-5	T3C	160°C	180°C	0-60	0-60	60-90
ECP82394T-4	T3C	160°C	180°C	3-60	6-60	60-90
ECP82394T-5	T3C	160°C	180°C	3-60	6-60	60-90
ECP83580T-4	T4	135°C	135°C	3-60	6-60	60-90
ECP83580T-5	T4	135°C	135°C	3-60	6-60	60-90
ECP83581T-4	T4	135°C	135°C	0-60	0-60	60-90
ECP83581T-5	T4	135°C	135°C	0-60	0-60	60-90
ECP83582T-4	T4	135°C	135°C	0-60	0-60	60-90
ECP83582T-5	T4	135°C	135°C	0-60	0-60	60-90
ECP83583T-4	T4	135°C	135°C	3-60	6-60	60-90
ECP83583T-5	T4	135°C	135°C	3-60	6-60	60-90
ECP83584T-4	T4	135°C	135°C	0-60	0-60	60-90
ECP83584T-5	T4	135°C	135°C	0-60	0-60	60-90
ECP83586T-4	T4	135°C	135°C	3-60	6-60	60-90
ECP83586T-5	T4	135°C	135°C	3-60	6-60	60-90
ECP83587T-4	T4	135°C	135°C	0-60	0-60	60-90
ECP83587T-5	T4	135°C	135°C	0-60	0-60	60-90
ECP83660T-4	T3C	160°C	160°C	3-60	6-60	60-90
ECP83660T-5	T3C	160°C	160°C	3-60	6-60	60-90
ECP83661T-4	T3C	160°C	160°C	0-60	0-60	60-90
ECP83661T-5	T3C	160°C	160°C	0-60	0-60	60-90
ECP83663T-4	T3C	160°C	160°C	3-60	6-60	60-90
ECP83663T-5	T3C	160°C	160°C	3-60	6-60	60-90
ECP83664T-4	T3C	160°C	160°C	0-60	0-60	60-90
ECP83664T-5	T3C	160°C	160°C	0-60	0-60	60-90
ECP83665T-4	T3A	180°C	160°C	0-60	0-60	60-90
ECP83665T-5	T3A	180°C	160°C	0-60	0-60	60-90
ECP83667T-4	T3C	160°C	160°C	0-60	0-60	60-90
ECP83667T-5	T3C	160°C	160°C	0-60	0-60	60-90
ECP83764T-4	T3C	160°C	160°C	0-60	0-60	60-90
ECP83764T-5	T3C	160°C	160°C	0-60	0-60	60-90
ECP83768T-4	T3C	160°C	160°C	0-60	0-60	60-90
ECP83768T-5	T3C	160°C	160°C	0-60	0-60	60-90
ECP83769T-4	T3C	160°C	160°C	3-60	6-60	60-90
ECP83769T-5	T3C	160°C	160°C	3-60	6-60	60-90
ECP83770T-4	T3C	160°C	160°C	0-60	0-60	60-90
ECP83770T-5	T3C	160°C	160°C	0-60	0-60	60-90
ECP83771T-4	T3C	160°C	160°C	3-60	6-60	60-90
ECP83771T-5	T3C	160°C	180°C	3-60	6-60	60-90
ECP83774T-4	T3	200°C	160°C	0-60	0-60	60-90
ECP83774T-5	T3B	165°C	160°C	0-60	0-60	60-90
ECP84100T-4	T3C	160°C	180°C	0-60	0-60	60-90
ECP84100T-5	T3C	160°C	180°C	0-60	0-60	60-90
ECP84102T-4	T3C	160°C	180°C	0-60	0-60	60-90
ECP84102T-5	T3C	160°C	180°C	0-60	0-60	60-90
ECP84103T-4	T3C	160°C	180°C	0-60	0-60	60-90
ECP84103T-5	T3C	160°C	180°C	0-60	0-60	60-90

Catalog Number	Sine Wave, 1.15 S.F.		Inverter Power, 1.0 S.F.			
	Sine Wave Temp Code	Equivalent Zone Temp Code T = °C	Inverter Temp Code T = °C	V.T. Speed Range (Hz)*	C.T. Speed Range (Hz)*	CHP Speed Range (Hz)
ECP84104T-4	T3C	160°C	180°C	0-60	0-60	60-90
ECP84104T-5	T3C	160°C	180°C	0-60	0-60	60-90
ECP84106T-4	T3	200°C	200°C	3-60	6-60	60-90
ECP84106T-5	T3	200°C	200°C	3-60	6-60	60-90
ECP84107T-4	T3	200°C	200°C	3-60	6-60	60-90
ECP84107T-5	T3	200°C	200°C	3-60	6-60	60-90
ECP84108T-4	T3	200°C	200°C	3-60	6-60	60-90
ECP84108T-5	T3	200°C	200°C	3-60	6-60	60-90
ECP84109T-4	T3	200°C	200°C	3-60	6-60	60-90
ECP84109T-5	T3	200°C	200°C	3-60	6-60	60-90
ECP84110T-4	T3	200°C	200°C	0-60	0-60	60-90
ECP84110T-5	T3	200°C	200°C	0-60	0-60	60-90
ECP84111T-4	T3	200°C	200°C	0-60	0-60	60-90
ECP84111T-5	T3	200°C	200°C	0-60	0-60	60-90
ECP84114T-4	T3	200°C	200°C	3-60	6-60	60-90
ECP84114T-5	T3	200°C	200°C	3-60	6-60	60-90
ECP84115T-4	T3	200°C	200°C	0-60	0-60	60-90
ECP84115T-5	T3	200°C	200°C	0-60	0-60	60-90
ECP84117T-4	T3	200°C	200°C	0-60	0-60	60-90
ECP84117T-5	T3	200°C	200°C	0-60	0-60	60-90
ECP84308T-4	T3A	180°C	180°C	0-60	6-60	60-90
ECP84308T-5	T3A	180°C	180°C	0-60	6-60	60-90
ECP84310T-4	T3	200°C	200°C	0-60	6-60	60-75
ECP84310T-5	T3	200°C	200°C	0-60	6-60	60-75
ECP84312T-4	T3A	180°C	180°C	0-60	6-60	60-90
ECP84312T-5	T3A	180°C	180°C	0-60	6-60	60-90
ECP84313T-4	T2D	215°C	200°C	0-60	15-60	60-75
ECP84313T-5	T2D	215°C	200°C	0-60	15-60	60-75
ECP84314T-4	T3	200°C	200°C	0-60	10-60	60-90
ECP84314T-5	T3	200°C	200°C	0-60	10-60	60-90
ECP84316T-4	T3	200°C	200°C	0-60	15-60	60-90
ECP84316T-5	T3	200°C	200°C	0-60	15-60	60-90
ECP84400T-4	T2D	215°C	215°C	0-60	10-60	60-90
ECP84400T-5	T2D	215°C	215°C	0-60	10-60	60-90
ECP84402T-4	T2D	215°C	200°C	0-60	10-60	60-75
ECP84402T-5	T2D	215°C	200°C	0-60	10-60	60-75
ECP84403T-4	T3	200°C	200°C	0-60	10-60	60-90
ECP84403T-5	T3	200°C	200°C	0-60	10-60	60-90
ECP84404T-4	T3	200°C	200°C	0-60	10-60	60-90
ECP84404T-5	T3	200°C	200°C	0-60	10-60	60-90
ECP84406T-4	T3	200°C	200°C	0-60	15-60	60-90
ECP84406T-5	T3	200°C	200°C	0-60	15-60	60-90
ECP84407T-4	T3	200°C	200°C	0-60	30-60	60-90
ECP84407T-5	T3	200°C	200°C	0-60	30-60	60-90
ECP84407TR-4	T3	200°C	200°C	0-60	30-60	60-90
ECP84407TR-5	T3	200°C	200°C	0-60	30-60	60-90
ECP84408T-4	T3	200°C	200°C	0-60	30-60	60-90
ECP84408T-5	T3	200°C	200°C	0-60	30-60	60-90
ECP84408TR-4	T3	200°C	200°C	0-60	30-60	60-90
ECP84408TR-5	T3	200°C	200°C	0-60	30-60	60-90
ECP84409T-4	T3	200°C	200°C	0-60	15-60	60-90
ECP84409T-5	T3B	165°C	200°C	0-60	6-60	60-90
ECP84410T-4	T3	200°C	200°C	0-60	10-60	60-90
ECP84410T-5	T3	200°C	200°C	0-60	10-60	60-90
ECP84411T-4	T3	200°C	200°C	0-60	15-60	60-90
ECP84411T-5	T3	200°C	200°C	0-60	15-60	60-90
ECP84412T-4	T3	200°C	200°C	0-60	15-60	60-75
ECP84412T-5	T3	200°C	200°C	0-60	30-60	60-75
ECP84413T-4	T3	200°C	200°C	0-60	10-60	60-75

* 0 Hz = motor slip Hz

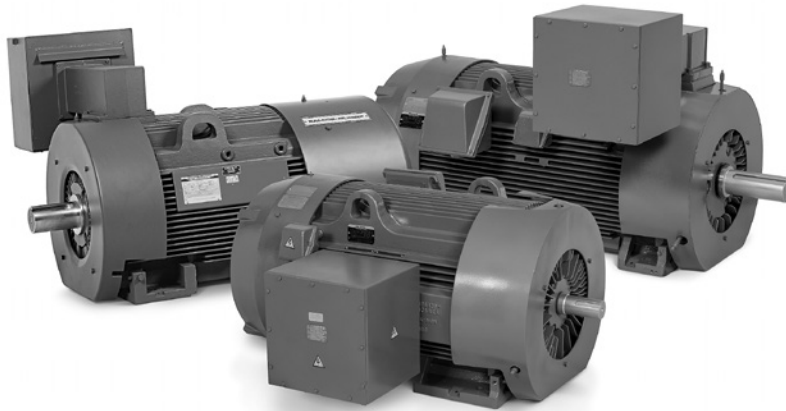
Division 2 Capabilities continued

Catalog Number	Sine Wave, 1.15 S.F.		Inverter Power, 1.0 S.F.			
	Sine Wave Temp Code	Equivalent Zone Temp Code T = °C	Inverter Temp Code T = °C	V.T. Speed Range (Hz)*	C.T. Speed Range (Hz)*	CHP Speed Range (Hz)
ECP84413T-5	T3	200°C	200°C	0-60	10-60	60-75
ECP844156T-4	T3	200°C	200°C	0-60	15-60	60-90
ECP844156TR-4	T3	200°C	200°C	0-60	15-60	60-90
ECP844156TR-5	T3	200°C	200°C	0-60	15-60	60-90
ECP84416T-4	T3	200°C	200°C	0-60	30-60	60-75
ECP84416T-5	T2C	230°C	230°C	0-60	30-60	60-75
ECP844206T-4	T3	200°C	200°C	0-60	30-60	60-90
ECP844206TR-4	T3	200°C	200°C	0-60	30-60	60-90
ECP844206TR-5	T3	200°C	200°C	0-60	30-60	60-90
ECP844252T-4	T2D	215°C	215°C	0-60	30-60	60-75
ECP844252T-5	T2C	230°C	230°C	0-60	30-60	60-75
ECP844256T-4	T2D	215°C	215°C	0-60	30-60	60-90
ENCP3580T-4	T3C	160°C	160°C	3-60	6-60	60-90
ENCP3581T-4	T4	135°C	135°C	0-60	0-60	60-90
ENCP83580T-4	T3C	160°C	160°C	3-60	6-60	60-90
ENCP83581T-4	T4	135°C	135°C	0-60	0-60	60-90
VECP2276T	T3C	160°C	180°C	0-60	0-60	60-90
VECP2332T	T3C	160°C	180°C	0-60	0-60	60-90
VECP2333T	T3C	160°C	180°C	0-60	0-60	60-90
VECP2333T-4	T3C	160°C	180°C	0-60	0-60	60-90
VECP2334T	T3C	160°C	180°C	0-60	0-60	60-90
VECP2334T-4	T3C	160°C	180°C	0-60	0-60	60-90
VECP3580-4	T4	135°C	135°C	3-60	6-60	60-90
VECP3581	T4	135°C	135°C	0-60	0-60	60-90
VECP3581-4	T4	135°C	135°C	0-60	0-60	60-90
VECP3581T	T4	135°C	135°C	0-60	0-60	60-90
VECP3581T-4	T4	135°C	135°C	0-60	0-60	60-90
VECP3582T	T4	135°C	135°C	0-60	0-60	60-90
VECP3583T-4	T4	135°C	135°C	3-60	6-60	60-90
VECP3584T	T4	135°C	135°C	0-60	0-60	60-90
VECP3584T-4	T4	135°C	135°C	0-60	0-60	60-90
VECP3586T-4	T4	135°C	135°C	3-60	6-60	60-90
VECP3587T	T4	135°C	135°C	0-60	0-60	60-90
VECP3587T-4	T4	135°C	135°C	0-60	0-60	60-90
VECP3660T-4	T3C	160°C	160°C	3-60	6-60	60-90
VECP3661T	T3C	160°C	160°C	0-60	0-60	60-90
VECP3661T-4	T3C	160°C	160°C	0-60	0-60	60-90
VECP3663T-4	T3C	160°C	160°C	0-60	0-60	60-90
VECP3664T	T3C	160°C	160°C	0-60	0-60	60-90
VECP3665T	T3B	165°C	160°C	0-60	0-60	60-90
VECP3665T-4	T3A	180°C	160°C	0-60	0-60	60-90
VECP3667T	T3C	160°C	160°C	0-60	0-60	60-90
VECP3764T	T3C	160°C	160°C	0-60	0-60	60-90
VECP3768T	T3C	160°C	160°C	0-60	0-60	60-90
VECP3769T-4	T3C	160°C	160°C	3-60	6-60	60-90
VECP3770T	T3C	160°C	160°C	0-60	0-60	60-90
VECP3770T-4	T3C	160°C	160°C	0-60	0-60	60-90
VECP3771T-4	T3A	180°C	180°C	3-60	6-60	60-90
VECP3774T	T3A	180°C	160°C	0-60	0-60	60-90
VECP3774T-4	T3A	180°C	160°C	0-60	0-60	60-90
VECP4100T	T3C	160°C	180°C	0-60	0-60	60-90
VECP4102T	T3C	160°C	180°C	0-60	0-60	60-90
VECP4103T	T3C	160°C	180°C	0-60	0-60	60-90
VECP4111T	T3	200°C	200°C	0-60	0-60	60-90

Catalog Number	Sine Wave, 1.15 S.F.		Inverter Power, 1.0 S.F.			
	Sine Wave Temp Code	Equivalent Zone Temp Code T = °C	Inverter Temp Code T = °C	V.T. Speed Range (Hz)*	C.T. Speed Range (Hz)*	CHP Speed Range (Hz)
VECP82333T-4	T3C	160°C	180°C	0-60	0-60	60-90
VECP82334T-4	T3C	160°C	180°C	0-60	0-60	60-90
VECP82394T-4	T3C	160°C	180°C	3-60	6-60	60-90
VECP83583T-4	T4	135°C	135°C	3-60	6-60	60-90
VECP83584T-4	T4	135°C	135°C	0-60	0-60	60-90
VECP83586T-4	T4	135°C	135°C	3-60	6-60	60-90
VECP83587T-4	T4	135°C	135°C	0-60	0-60	60-90
VECP83660T-4	T3C	160°C	160°C	3-60	6-60	60-90
VECP83661T-4	T3C	160°C	160°C	0-60	0-60	60-90
VECP83663T-4	T3C	160°C	160°C	3-60	6-60	60-90
VECP83665T-4	T3A	180°C	160°C	0-60	0-60	60-90
VECP83769T-4	T3C	160°C	160°C	3-60	6-60	60-90
VECP83770T-4	T3C	160°C	160°C	0-60	0-60	60-90
VECP83771T-4	T3C	160°C	160°C	3-60	6-60	60-90
VECP83774T-4	T3	200°C	160°C	0-60	0-60	60-90
VECP84106T-4	T3	200°C	200°C	3-60	6-60	60-90
VENCP83580T-4	T3C	160°C	160°C	3-60	6-60	60-90
VENCP83581T-4	T4	135°C	135°C	0-60	0-60	60-90

* 0 Hz = motor slip Hz

Baldor•Reliance Large AC (Above NEMA) motors are designed with higher than standard torques and low vibration levels which allows for a longer and safe operating life in applications requiring 250 Hp or greater, all while meeting the industry’s reliability and efficiency standards. The Baldor•Reliance line of Large AC motors offer constructions which make them suitable for petro-chemical plants, mines, quarries, foundries, pulp and paper plants, waste management facilities, as well as many other processing industry applications.



Key Features:

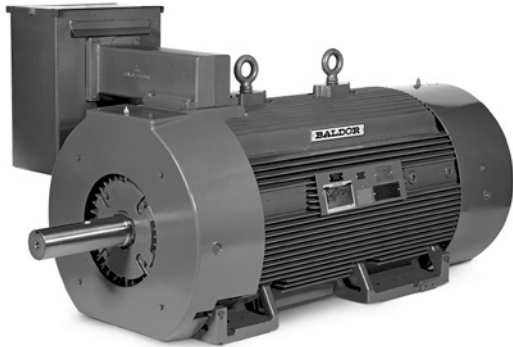
- Low vibration, cast iron frame construction.
- Minimum NEMA Design B torques, allowing for operation across a variety of applications.
- 1.15 SF as standard.
- Class F insulation with Class B (80°C) temperature rise
- V-Ring slinger for increased bearing protection.
- Designed for longevity with a 3 year warranty.
- Baldor•Reliance motors meet or exceed all efficiency requirements for US, Canada and Mexico regulations

250 - 1500 Horsepower

Product Line		GPM	ECP/CP
Frame size range for stock products		5010-500 ⁽¹⁾	5010-5810
Electrical Features			
Efficiency	Baldor•Reliance motors meet or exceed all efficiency requirements for US, Canada and Mexico regulations	S	S
Torque	Meet or exceed NEMA Design B Torques ⁽²⁾	S	S
Service Factor & Temp. Rise	1.15 Service Factor – Continuous	S	S
	Class F insulation with Class B rise @ 1.0 Service Factor	S	S
Inverter	Inverter Ready - meets NEMA MG1 Part 31.4.4.2 ⁽³⁾	S	S
Mechanical Features			
IP Code	IP54 enclosure ingress protection	S	S
	IP55 enclosure ingress protection	A	A
Frame	Cast Iron frame & endplates	S	S
	Sealed joints between frame and endplates	A	S
	Epoxy coated internal surfaces, including endplates, rotor, and stator.	A	S
Fan Covers	Fabricated steel fan covers ⁽⁴⁾	A	S
Shaft Seals	Shaft Seals: Neoprene V-ring slinger – DE & ODE	S	S
Bearings & Lubrication	Ball Bearings designs	S	S
	Roller Bearing designs for belted applications ⁽⁵⁾	A	A
	Bearings: Regreasable with PLS lubrication system. Grease inlet & auto relief fittings on DE & ODE.	S	S
Paint	Paint: 2 part modified epoxy with enhanced UV protection topcoat	S	S
Conduit Box	Conduit box: Fabricated steel. Oversized and rotatable in 90 degree increments	S	S
Nameplate	Nameplate: Stainless steel with embossed raised letter	S	S
Other Key Features			
Accessories	Winding resistance temperature detectors (RTDs) - 100 Ohm Platinum - 2 per phase	S	S
	Space heaters - 120/240 Volt	S	-
	Space heaters - 120 Volt	-	S
	Provisions for bearing resistance temperature detectors (RTDs)	S	S
Certifications	Nameplate marked Class I, Division 2, Groups C, D ⁽⁶⁾	-	S
Warranty	Warranty - in years from date of manufacture	3	3

S = Standard A = Available through Mod Express or as custom

- (1) Frame sizes range from 5010-5810 ANSI mounting and 450-500 IEC mounting. 450-500 frames represent shaft height in mm. Drawings will be referenced in inches and motors will meet NEMA.
- (2) For medium voltage motors and motors with frames 5000 and larger standard torque values are represented in NEMA MG-1 2014 part 20.10.1. Motors will meet or exceed these values.
- (3) For use on VFD, it is highly recommended to insulate the drive end bearing and add a shaft grounding system in order to address concerns regarding shaft currents that may be imposed upon the motor by a VFD as defined in NEMA MG1, Part 31.4.4.3. Motor is suitable for use on Inverter only in conjunction with an isolation transformer or other Common Mode Voltage Elimination. 1.0 Service Factor when used on VFD.
- (4) Some GPM ratings may have fabricated steel fan covers as standard.
- (5) For LR suffix motors, roller bearing is a standard feature. Ball bearings available through Mod Express
- (6) Please reference Division II tables at the end of the section for appropriate temperature code values.

BALDOR • RELIANCE**Large AC Motors****GPM (General Purpose Motor), Three Phase,
Totally Enclosed, 460, 575 & 2300/4000 Volt, Foot Mounted****250 thru 1500 Hp****IP54****Features:**

- Simple F1 to F2 conversion for main terminal box.
- Suitable for Inverter use per NEMA MG1 Part 31.4.4.2 with 10:1 VT and 2:1 CT speed ranges.
- Insulated ODE bearing for bearing current mitigation.
- Modifications available through Motor ModExpress®.

Applications:

- Pumps
- Compressors
- Fans
- Conveyors

Hp	RPM	NEMA Frame	Enclosure	Catalog Number	List Price	Mult. Sym.	"C" Dim.	Aprx. Wt. (lb)	Full Load Efficiency	Voltage	Full Load Amps	Notes (a)
460 Volts												
350	1200	5010	TEFC	M50356L-4	37,732	LG	71.42	5600	95.2	460	398	1,16
		5010	TEFC	EM50356L-4	43,392	LG	71.42	5600	95.8	460	398	1
		5010	TEFC	M50356LR-4	39,036	LG	71.42	5600	95.2	460	398	1,5,16
		5010	TEFC	EM50356LR-4	44,891	LG	71.42	5600	95.8	460	398	1,5
400	3600	5010	TEFC	M50402S-4	38,205	LG	67.45	5500	95.3	460	428	1,16
	1200	5010	TEFC	M50406L-4	41,031	LG	71.42	5600	95.5	460	454	1,16
		5010	TEFC	EM50406L-4	47,186	LG	71.42	5600	95.8	460	454	1
		5010	TEFC	M50406LR-4	42,335	LG	71.42	5600	95.5	460	454	1,5,16
		5010	TEFC	EM50406LR-4	48,685	LG	71.42	5600	95.5	460	454	1,5
	900	5012	TEFC	EM50408LR-4	60,807	LG	79.44	6600	95.4	460	499	1,5,16
	450	3600	5010	TEFC	M50452S-4	44,401	LG	67.45	5500	95.4	460	480
1800		5010	TEFC	EM50452S-4	51,061	LG	67.45	5500	95.8	460	480	1
		5010	TEFC	M50454L-4	40,856	LG	71.42	5500	95.8	460	511	1,16
		5010	TEFC	EM50454L-4	46,984	LG	71.42	5500	96.2	460	511	1
1200		5012	TEFC	M50456L-4	46,810	LG	79.44	6600	95.5	460	508	1,16
		5012	TEFC	EM50456L-4	53,832	LG	79.44	6600	95.8	460	508	1
		5012	TEFC	M50456LR-4	48,114	LG	79.44	6600	95.5	460	508	1,5,16
		5012	TEFC	EM50456LR-4	55,331	LG	79.44	6600	95.8	460	508	1,5
900		5012	TEFC	EM50458LR-4	63,847	LG	79.44	6600	95.6	460	574	1,5,10
500		3600	5010	TEFC	M50502S-4	48,093	LG	67.45	5500	95.7	460	532
	1800	5010	TEFC	EM50502S-4	55,307	LG	67.45	5500	95.8	460	532	1
		5010	TEFC	M50504L-4	46,492	LG	71.42	5500	96	460	569	1,16
		5010	TEFC	EM50504L-4	53,466	LG	71.42	5500	96.2	460	569	1
	1200	5012	TEFC	M50506L-4	53,039	LG	79.44	6600	95.6	460	564	1,16
		5012	TEFC	EM50506L-4	60,995	LG	79.44	6600	95.8	460	564	1
		5012	TEFC	M50506LR-4	54,343	LG	79.44	6600	95.6	460	564	1,5,16
		5012	TEFC	EM50506LR-4	62,494	LG	79.44	6600	95.8	460	564	1,5
	900	5810	TEFC	EM58508LR-4	78,072	LG	90.81	10000	95.6	460	637	1,5,16
	600	3600	5010	TEFC	M50602S-4	52,207	LG	79.00	5650	95.7	460	644
1800		5012	TEFC	M50604L-4	55,152	LG	79.44	6600	96.2	460	678	1
1200		5012	TEFC	M50606L-4	61,203	LG	79.44	6600	95.9	460	667	1,7
1200		5012	TEFC	M50606LR-4	62,507	LG	79.44	6600	95.9	460	667	1,5,7
900		5810	TEFC	M58608LR-4	85,261	LG	90.81	10000	95.9	460	774	1,5,10
700	3600	5810	TEFC	M58702S-4	55,029	LG	95.59	10000	95.8	460	767	1
	1800	5012	TEFC	M50704L-4	63,072	LG	79.42	6600	96.3	460	792	1
	1200	5810	TEFC	M58706L-4	67,797	LG	90.81	10000	96.2	460	781	1
		5810	TEFC	M58706LR-4	69,101	LG	90.81	10000	96.2	460	781	1,5
	900	450	TEFC	M450708L-4	105,121	LG	86.42	11000	95.6	460	875	1,7,9,10

(a) See notes on inside back flap. Cast Iron Frame

For use on VFD, it is highly recommended to insulate the drive end bearing and add a shaft grounding system in order to address concerns regarding shaft currents that may be imposed upon the motor by a VFD as defined in NEMA MG1, Part 31.4.4.3.

Motor is suitable for use on Inverter only in conjunction with an isolation transformer or other Common Mode Voltage Elimination.

1.0 Service Factor when used on VFD

Custom induction motors available up to 30,000 Hp, contact your Baldor•Reliance Sales Representative for additional information.

Red Catalog Number indicates **NEW** Product.

GPM (General Purpose Motor), Three Phase, Totally Enclosed, 460, 575 & 2300/4000 Volt, Foot Mounted

Hp	RPM	NEMA Frame	Enclosure	Catalog Number	List Price	Mult. Sym.	"C" Dim.	Aprx. Wt. (lb)	Full Load Efficiency	Voltage	Full Load Amps	Notes (a)
800	3600	5810	TEFC	M58802S-4	69,833	LG	95.59	10000	95.7	460	877	1
	1800	5012	TEFC	M50804L-4	67,731	LG	90.97	6600	96.6	460	911	1
	1200	5810	TEFC	M58806LR-4	75,237	LG	90.81	10000	96.7	460	903	1,7,10
	900	450	TEFC	M450808L-4	105,121	LG	86.42	11000	95.9	460	1011	1,7,9,10
900	1800	5012	TEFC	M50904L-4	69,190	LG	84.87	6600	96.4	460	1000	1,7,10
	1200	450	TEFC	M450906L-4	92,733	LG	83.47	10000	96.3	460	1047	1,7,9,10
	900	500	TEFC	M500908L-4	121,922	LG	99.02	14925	95.6	460	1095	1,7,9,10
1000	1800	450	TEFC	M4501004L-4	100,178	LG	86.42	10000	96	460	1126	1,7,9,10
	1200	450	TEFC	M4501006L-4	105,979	LG	96.65	12600	95.8	460	1136	1,7,9,10
	900	500	TEFC	M5001008L-4	123,922	LG	99.02	15000	95.7	460	1229	1,7,9,10
1250	1800	500	TEFC	M5001254L-4	120,836	LG	72.64	14000	96.1	460	1387	1,7,9,10
	1200	500	TEFC	M5001256L-4	115,034	LG	96.65	14500	96.4	460	1441	1,7,9,10
1500	1800	500	TEFC	M5001504L-4	133,358	LG	120.28	15500	96.4	460	1645	1,7,9,10
575 Volts												
450	1800	5010	TEFC	EM50454L-5	46,984	LG	71.42	5500	96.2	575	415	1,10
500	1800	5010	TEFC	EM50504L-5	53,832	LG	71.42	5500	96.2	575	454	1,10
600	1800	5012	TEFC	M50604L-5	55,152	LG	79.44	6600	96.2	575	544	1,10
700	1800	5012	TEFC	M50704L-5	63,072	LG	79.42	6600	96.3	575	633	1,10
800	1800	5012	TEFC	M50804L-5	67,731	LG	90.97	6600	96.6	575	725	1,10
900	1800	5012	TEFC	M50904L-5	69,190	LG	84.87	6600	96.4	575	800	1,7,10
1000	1800	450	TEFC	M4501004L-5	102,965	LG	86.42	11000	96.1	575	893	1,7,9,10
1250	1800	500	TEFC	M5001254L-5	120,835	LG	120.28	13600	96.2	575	1103	1,7,9,10
1500	1800	500	TEFC	M5001504L-5	124,863	LG	120.28	14500	96.3	575	1371	1,7,9,10
2300/4000 Volts												
250	3600	449TS	TEFC	EM44252TS-2340	33,234	LG	49.49	2338	95	2300/4000	33	1
	1800	L449T	TEFC	EM44254T-2340	36,300	LG	60.21	2694	95	2300/4000	32	1
	1200	5010	TEFC	M50256LR-2340	41,964	LG	71.42	5500	94.6	2300/4000	34	1,5
	900	5010	TEFC	EM50258LR-2340	48,317	LG	71.42	5500	94.3	2300/4000	36	1,5,10
300	3600	L449TS	TEFC	EM44302TS-2340	40,255	LG	56.48	3149	95.3	2300/4000	39	1
	1800	L449T	TEFC	EM44304T-2340	36,979	LG	60.21	3676	95	2300/4000	39	1,5
	1200	5010	TEFC	M50306LR-2340	43,298	LG	71.42	3683	94.7	2300/4000	40	1,5
350	900	5012	TEFC	EM50308LR-2340	54,916	LG	79.44	5500	94.5	2300/4000	43	1,5,10
	3600	5010	TEFC	EM50352S-2340	43,766	LG	67.45	5500	95	2300/4000	45	1
	1800	5008	TEFC	EM50354L-2340	44,000	LG	64.45	5000	95	2300/4000	46	1
400	1200	5010	TEFC	M50356LR-2340	49,383	LG	71.42	5500	94.8	2300/4000	47	1,5
	900	5012	TEFC	EM50358LR-2340	63,165	LG	79.44	6600	94.5	2300/4000	51	1,5,10
	3600	5010	TEFC	EM50402S-2340	48,213	LG	67.45	5500	95	2300/4000	50	1
450	1800	5010	TEFC	EM50404L-2340	47,745	LG	71.42	5500	95.3	2300/4000	52	1
	1200	5012	TEFC	EM50406LR-2340	54,064	LG	79.44	6600	95	2300/4000	53	1,5
	900	5012	TEFC	EM50408LR-2340	72,357	LG	79.44	6600	94.8	2300/4000	62	1,5,7,10
500	3600	5010	TEFC	EM50452S-2340	56,872	LG	67.45	5500	95.2	2300/4000	57	1
	1800	5010	TEFC	EM50454L-2340	51,957	LG	71.42	5500	95.5	2300/4000	59	1
	1200	5012	TEFC	EM50456LR-2340	62,021	LG	79.44	6600	95.1	2300/4000	60	1,5
	900	5810	TEFC	EM58458LR-2340	78,596	LG	90.81	10000	95.2	2300/4000	67	1,5,10
550	3600	5010	TEFC	EM50502S-2340	62,021	LG	67.45	5500	95.4	2300/4000	63	1
	1800	5012	TEFC	EM50504L-2340	59,681	LG	79.42	6600	95.5	2300/4000	65	1
	1200	5012	TEFC	EM50506LR-2340	70,915	LG	79.44	6600	95.3	2300/4000	64	1,5,7
600	900	5810	TEFC	EM58508LR-2340	88,384	LG	90.81	10000	95.1	2300/4000	73	1,5,10
	3600	5010	TEFC	EM50602S-2340	67,872	LG	79.00	5500	95.6	2300/4000	75	1,7
	1800	5012	TEFC	EM50604L-2340	70,213	LG	79.42	6600	95.8	2300/4000	78	1
	1200	5810	TEFC	EM58606LR-2340	78,404	LG	90.81	10000	95.7	2300/4000	79	1,5
900	5810	TEFC	EM58608LR-2340	100,169	LG	90.81	10000	95.6	2300/4000	87	1,5,7,10	

(a) See notes on inside back flap. ■ Cast Iron Frame

For use on VFD, it is highly recommended to insulate the drive end bearing and add a shaft grounding system in order to address concerns regarding shaft currents that may be imposed upon the motor by a VFD as defined in NEMA MG1, Part 31.4.4.3.

Motor is suitable for use on Inverter only in conjunction with an isolation transformer or other Common Mode Voltage Elimination.

1.0 Service Factor when used on VFD

Custom induction motors available up to 30,000 Hp, contact your Baldor•Reliance Sales Representative for additional information.

Red Catalog Number indicates **NEW** Product.

GPM (General Purpose Motor), Three Phase, Totally Enclosed, 460, 575 & 2300/4000 Volt, Foot Mounted

Hp	RPM	NEMA Frame	Enclosure	Catalog Number	List Price	Mult. Sym.	"C" Dim.	Aprx. Wt. (lb)	Full Load Efficiency	Voltage	Full Load Amps	Notes (a)
700	3600	5810	TEFC	M58702S-2340	71,851	LG	95.59	10000	95.2	2300/4000	89	1
	1800	5012	TEFC	EM50704L-2340	77,234	LG	79.42	6600	96.1	2300/4000	90	1
	1200	5810	TEFC	EM58706LR-2340	89,652	LG	90.81	10000	96.2	2300/4000	92	1,5,7
	900	450	TEFC	EM450708L-2340	113,182	LG	83.47	10000	95.3	2300/4000	107	1,7,9,10
800	3600	5810	TEFC	EM58802S-2340	89,362	LG	95.59	10000	95.5	2300/4000	103	1
	1800	5012	TEFC	EM50804L-2340	89,872	LG	90.97	6600	95.8	2300/4000	102	1,7
	1200	450	TEFC	EM450806L-2340	102,853	LG	83.47	10000	96	2300/4000	105	1,7,9,10
	900	450	TEFC	EM450808L-2340	122,452	LG	83.47	10800	95.6	2300/4000	113	1,7,9,10
900	1800	5810	TEFC	EM58904L-2340	94,553	LG	90.81	10000	96.2	2300/4000	115	1
	1200	450	TEFC	EM450906L-2340	112,006	LG	83.47	10000	96.2	2300/4000	118	1,7,9,10
	900	500	TEFC	EM500908L-2340	141,652	LG	99.02	14000	95.6	2300/4000	124	1,7,9,10
1000	1800	5810	TEFC	EM581004L-2340	108,596	LG	102.27	11000	96.1	2300/4000	129	1
	1200	450	TEFC	EM4501006L-2340	115,432	LG	83.47	11000	95.9	2300/4000	130	1,7,9,10
	900	500	TEFC	EM5001008L-2340	143,652	LG	99.02	14000	95.6	2300/4000	138	1,7,9,10
1250	1800	500	TEFC	EM5001254L-2340	138,765	LG	120.23	13100	96	2300/4000	159	1,7,9,10
	1200	500	TEFC	EM5001256L-2340	126,546	LG	99.65	13000	96.3	2300/4000	167	1,7,9,10
	900	500	TEFC	EM5001258L-2340	144,599	LG	99.02	14000	95.9	2300/4000	179	1,7,9,10
1500	1800	500	TEFC	EM5001504L-2340	144,882	LG	120.28	14300	96.4	2300/4000	189	1,7,9,10
	1200	500	TEFC	EM5001506L-2340	139,139	LG	96.65	14700	96.6	2300/4000	200	1,7,9,10
	900	500	TEFC	EM5001508L-2340	150,998	LG	99.02	16700	96.1	2300/4000	207	1,7,9,10

(a) See notes on inside back flap.

■ Cast Iron Frame

For use on VFD, it is highly recommended to insulate the drive end bearing and add a shaft grounding system in order to address concerns regarding shaft currents that may be imposed upon the motor by a VFD as defined in NEMA MG1, Part 31.4.4.3.

Motor is suitable for use on Inverter only in conjunction with an isolation transformer or other Common Mode Voltage Elimination.

1.0 Service Factor when used on VFD

Custom induction motors available up to 30,000 Hp, contact your Baldor•Reliance Sales Representative for additional information.

Red Catalog Number indicates **NEW** Product.

General Information

Single Phase Motors

General Purpose Industrial Motors

Severe Duty Motors

Large AC Motors

Washdown Duty Motors

Explosion Proof Motors

Pump Motors

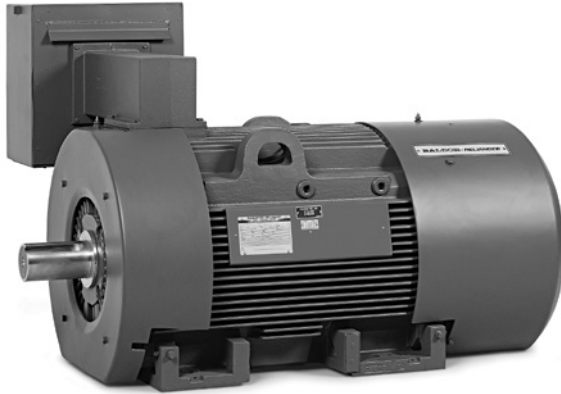
HVAC Motors

Farm Duty Motors

**Severe Duty, Three Phase, Totally Enclosed,
460 Volt, Foot Mounted**

350 - 800 Hp

IP54



Features:

- Internal surfaces epoxy coated for increased corrosion protection.
- Simple F1 to F2 conversion for main terminal box.
- Suitable for Inverter use per NEMA MG1 Part 31.4.4.2 a 10:1 VT & 2:1 CT speed ranges.
- Insulated ODE bearing for bearing current mitigation.
- Motor suitable for Division 2, Class I, Groups C & D.

Applications:

- Pumps
- Compressors
- Fans
- Conveyors

Hp	RPM	Frame	Enclosure	Catalog Number	List Price	Mult. Sym.	"C" Dim.	Aprx. Wt. (lb)	Full Load Efficiency	Voltage	Full Load Amps	Notes (a)
350	1200	5010	TEFC	CP50356LR-4	48,522	LG	71.42	5500	95.2	460	397	1,5
		5010	TEFC	ECP50356LR-4	53,374	LG	71.42	5500	95.8	460	397	1,5
	900	5012	TEFC	ECP50358LR-4	63,429	LG	79.44	6600	95.2	460	436	1,5
400	1200	5012	TEFC	CP50406LR-4	54,485	LG	79.44	6600	95.4	460	452	1,5
		5012	TEFC	ECP50406LR-4	59,934	LG	79.44	6600	95.8	460	452	1,5
	900	5012	TEFC	ECP50408LR-4	66,888	LG	79.44	6600	95.2	460	500	1,5
450	3600	5010	TEFC	CP50452S-4	48,841	LG	67.45	5500	95	460	482	1
		5010	TEFC	ECP50452S-4	53,725	LG	67.45	5500	95.8	460	482	1
	1800	5010	TEFC	CP50454L-4	50,335	LG	71.14	5500	95.1	460	514	1
		5010	TEFC	ECP50454L-4	55,369	LG	71.14	5500	96.2	460	514	1
	1200	5012	TEFC	CP50456LR-4	56,630	LG	79.44	6600	95.4	460	508	1,5
5012		TEFC	ECP50456LR-4	62,293	LG	79.44	6600	95.8	460	508	1,5	
	900	5012	TEFC	ECP50458LR-4	87,790	LG	79.44	6600	95.5	460	594	1,5,7
500	3600	5010	TEFC	ECP50502S-4	58,192	LG	67.14	5500	95.8	460	534	1
		5010	TEFC	ECP50504L-4	56,255	LG	71.14	5500	96.2	460	573	1
	1200	5012	TEFC	CP50506LR-4	59,777	LG	79.44	6600	95.7	460	564	1,5
		5012	TEFC	ECP50506LR-4	65,755	LG	79.44	6600	95.8	460	564	1,5
		900	5012	TEFC	ECP50508LR-4	91,032	LG	79.44	6600	95.8	460	585
600	3600	5810	TEFC	CP58602S-4	73,507	LG	84.13	10000	95.4	460	662	1
	1800	5012	TEFC	CP50604L-4	60,667	LG	79.42	6600	96.1	460	674	1
	1200	5012	TEFC	CP50606LR-4	83,197	LG	79.44	6600	95.9	460	667	1,5,7
	900	5810	TEFC	CP58608LR-4	93,787	LG	83.3	10000	95.9	460	774	1,5
700	3600	5810	TEFC	CP58702S-4	90,798	LG	86.07	10000	95.9	460	767	1
	1800	5012	TEFC	CP50704L-4	69,380	LG	79.42	6600	95.8	460	794	1
	1200	5810	TEFC	CP58706LR-4	85,893	LG	83.30	10000	96.2	460	781	1,5
	900	5810	TEFC	CP58708LR-4	115,633	LG	83.30	10000	96.3	460	862	1,5,7
800	3600	5810	TEFC	CP58802S-4	91,412	LG	86.07	10000	96.1	460	878	1
	1800	5012	TEFC	CP50804L-4	74,504	LG	90.97	6600	96	460	916	1
	1200	5810	TEFC	CP58806LR-4	112,555	LG	83.30	10000	96.7	460	903	1,5,7
	900	500	TEFC	CP500808LR-4	191,325	LG	120.18	10000	96	460	915	1,5,7

(a) See notes on inside back flap.

■ Cast Iron Frame

For use on VFD, it is highly recommended to insulate the drive end bearing and add a shaft grounding system in order to address concerns regarding shaft currents that may be imposed upon the motor by a VFD as defined in NEMA MG1, Part 31.4.4.3.

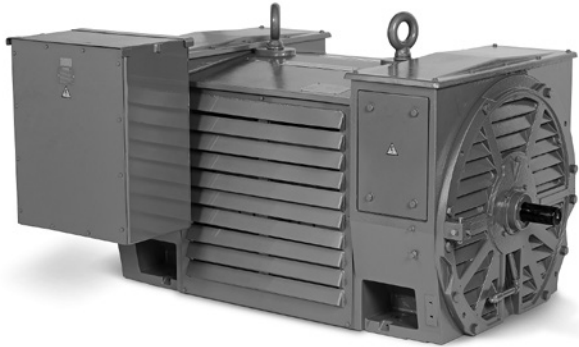
Motor is suitable for use on Inverter only in conjunction with an isolation transformer or other Common Mode Voltage Elimination.

1.0 Service Factor when used on VFD.

Custom induction motors available up to 30,000 Hp, contact your Baldor•Reliance Sales Representative for additional information.

All ratings are 1.15 Service Factor at 40°C ambient.

Red Catalog Number indicates **NEW** Product.

NEW!**Large AC Motors****BALDOR • RELIANCE****Ammonia Refrigeration Compressor Motors, Three Phase, 150 to 1000 Hp Open Drip Proof, 460 & 2300/4160 Volt, Foot Mounted**

Standard 2300/4160 Volt motor

Features:

- Low noise design
- 1.15 SF
- High efficiency designs
- Rated for across the line start
- Class F insulation with Class B temperature rise
- Cast iron frame for reduced vibration and increased strength

Applications:

- Ammonia refrigeration compressors
- Pumps

Hp	RPM	NEMA Frame	Catalog Number	List Price	Mult. Sym.	"C" Dim.	Aprx. Wt. (lb)	Full Load Efficiency	Voltage	Full Load Amps	Notes (a)
460 Volts (wye start delta run)											
150	3600	404/5TS	EM251152T-4	13,117	L1	31.00	1140	95.4	460	167	1
200	3600	444/5TS	EM251202T-4	14,864	L1	35.81	1737	95.4	460	221	1
250	3600	444/5TS	EM251252T-4	17,437	L1	35.81	1539	95.4	460	274	1
300	3600	447TSS/TS	EM251302T-4	27,254	L1	39.31	1899	95.4	460	334	1
350	3600	447TSS/TS	EM251352T-4	31,190	L1	39.31	1899	95.4	460	381	1
400	3600	449TS	EM251402T-4	36,592	L1	44.31	4000	96.2	460	431	1
450	3600	449TS	EM251452T-4	40,294	L1	44.31	4000	96.2	460	494	1
500	3600	449TS	EM251502T-4	44,548	L1	39.37	2595	96.2	460	544	1
600	3600	5010	M250602S-4	47,729	LG	56.50	4200	95.6	460	673	1
2300/4160 Volts											
400	3600	449TS	M244402TS-2341	32,791	LG	44.38	4000	95	2300/4160	49	1
500	3600	5008	M250502S-2341	45,766	LG	49.50	3200	94.8	2300/4160	62	1
600	3600	5010	M250602S-2341	47,564	LG	56.50	4200	95.2	2300/4160	73	1
700	3600	5010	M250702S-2341	49,901	LG	56.50	4200	95.2	2300/4160	85	1
800	3600	5810	M258802S-2341	64,295	LG	65.81	7000	95	2300/4160	99	1
900	3600	5810	M258902S-2341	71,196	LG	65.81	7000	95.2	2300/4160	111	1
1000	3600	5810	M2581002S-2341	77,398	LG	65.81	7000	95.2	2300/4160	141	1

(a) See notes on inside back flap.

■ Cast Iron Frame

Custom induction motors available up to 30,000 Hp, contact your Baldor•Reliance Sales Representative for additional information.

Conversion base kits are available in the Motor Accessories section.

Red Catalog Number indicates **NEW** Product.**NEW!**

Division 2 Capabilities

The following list of Large AC motors are marked for Division 2, Class I, Group A,B,C,D for Sine Wave and Inverter Power. They also include Equivalent Zone markings for Class I, Zone 2, Groups IIA, IIB, IIC for Sine Wave and Inverter Power.

Division 2 Temp Codes are provided in the standard format per the NEC Article 500 requirements. Equivalent Zone Temp Codes are provided in the "T=°C" format because NEC Article 505 does not allow all T Codes permitted by NEC 500. Inverter Temp Codes are provided in the "T=°C" format because they apply to both the Equivalent Zone (NEC 505) requirements and NEC 500 requirements. Please reference the following table for Temperature and Temp Code values.

Maximum Surface Temperature	US (NEC 500) CA (CEC Annex J)	US (NEC 505) CA (CEC Section 18)
450° C	T1	T1
300° C	T2	T2
280° C	T2A	-
260° C	T2B	-
230° C	T2C	-
215° C	T2D	-
200° C	T3	T3

Maximum Surface Temperature	US (NEC 500) CA (CEC Annex J)	US (NEC 505) CA (CEC Section 18)
180° C	T3A	-
165° C	T3B	-
160° C	T3C	-
135° C	T4	T4
120° C	T4A	-
100° C	T5	T5
85° C	T6	T6

Catalog Number	Sine Wave, 1.15 S.F.		Inverter Power, 1.0 S.F.			
	Sine Wave Temp Code	Equivalent Zone Temp Code T = °C	Inverter Temp Code T = °C	V.T. Speed Range (Hz)	C.T. Speed Range (Hz)	CHP Speed Range (Hz)
CP50356LR-4	T3C	160°C	160°C	6-60	30-60	60-90
ECP50356LR-4	T3C	160°C	160°C	6-60	30-60	60-90
ECP50358LR-4	T3C	160°C	160°C	6-60	30-60	60-90
CP50406LR-4	T3C	160°C	160°C	6-60	30-60	60-90
ECP50406LR-4	T3C	160°C	160°C	6-60	30-60	60-90
ECP50408LR-4	T3C	160°C	160°C	6-60	30-60	60-90
CP50452S-4	T2A	280°C	280°C	6-60	30-60	60-70
ECP50452S-4	T2A	280°C	280°C	6-60	30-60	60-70
CP50454L-4	T2D	215°C	215°C	6-60	30-60	60-66
ECP50454L-4	T2D	215°C	215°C	6-60	30-60	60-66
CP50456LR-4	T3A	180°C	180°C	6-60	30-60	60-90
ECP50456LR-4	T3A	180°C	180°C	6-60	30-60	60-90
ECP50458LR-4	T3B	165°C	165°C	6-60	30-60	60-90
ECP50502S-4	T2	300°C	300°C	6-60	30-60	60-70
CP50504L-4	T2C	230°C	230°C	6-60	30-60	60-66
ECP50504L-4	T2C	230°C	230°C	6-60	30-60	60-66
CP50506LR-4	T3A	180°C	180°C	6-60	30-60	60-90
ECP50506LR-4	T3A	180°C	180°C	6-60	30-60	60-90
ECP50508LR-4	T3	200°C	200°C	6-60	30-60	60-90
CP58602S-4	T2	300°C	300°C	6-60	30-60	(2)
CP50604L-4	T2C	230°C	230°C	6-60	30-60	60-66
CP50606LR-4	T2C	230°C	230°C	6-60	30-60	60-75
CP58608LR-4	T3A	180°C	180°C	6-60	30-60	60-90
CP58702S-4	T2B	260°C	260°C	6-60	30-60	(2)
CP50704L-4	T2C	230°C	230°C	6-60	30-60	60-66
CP58706LR-4	T3A	180°C	180°C	6-60	30-60	60-90
CP58708LR-4	T3A	180°C	180°C	6-60	30-60	60-90
CP58802S-4	T2B	260°C	260°C	6-60	30-60	(2)
CP50804L-4	(1)	(1)	(1)	(1)	(1)	(1)
CP58806LR-4	T3A	180°C	180°C	6-60	30-60	60-75
CP500808LR-4	T3A	180°C	180°C	6-60	30-60	60-75

NOTES:

- (1) Motor is not suitable for division II operation
- (2) Overspeed capability not available

General Information

Single Phase Motors

General Purpose Industrial Motors

Severe Duty Motors

Large AC Motors

Washdown Duty Motors

Explosion Proof Motors

Pump Motors

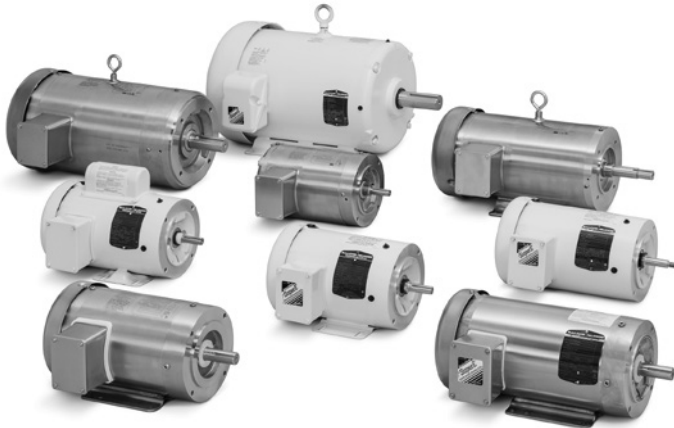
HVAC Motors

Farm Duty Motors

BALDOR • RELIANCE

Washdown Duty Motors

Baldor•Reliance Washdown Duty motors are designed to meet the demands of applications that require additional protection from contaminants, and the ability to operate in an environments exposed to washdown methods. As the broadest washdown product family in the marketplace, Baldor offers motors from painted to stainless steel to meet the washdown needs of our customers.



Key Features:

- Double sealed motor bearings
- Neoprene rubber gaskets ensure a tight, waterproof seal
- 300 series stainless steel shaft, hardware and nameplate
- Shaft seals on each end
- Sealed frame to endplate joints to prevent water entry
- Easily removable drain plugs for thorough drainage in any position

1/3 - 20 Horsepower

Product Line		White Washdown	Paint-Free	Stainless Steel	SSE Encapsulated
NEMA Frames sizes		56-256T	56C-215TC	56C-256TC	56C-256TC
Electrical Features					
Efficiency	Baldor•Reliance motors meet or exceed all efficiency requirements for US, Canada and Mexico regulations	S	S	S	S
Motor Performance	1.15 Service Factor	S	S	S	S
	NEMA Design B (most designs)	S	S	S	S
	Class F insulation with Class B rise (most designs)	S	S	S	-
	Class H insulation	A	A	A	S
Windings	Dip & bake 100% varnish	S	S	S	S
	Epoxy Encapsulated	A	A	A	S
	575V	S	A	S	S
	Single Phase	S	-	-	-
Connections	Washdown lead connection kit (heat shrink connectors)	A	A	A	S
Inverter	Inverter Ready per NEMA MG-1 part 31.4.4.2	S	S	S	S
Mechanical Features					
External Parts	Steel frame and base, aluminum box and endplates	S	-	-	-
	300 series stainless steel shaft & hardware	S	S	S	S
	Ball burnished aluminum endplates & conduit box	-	S	-	-
	300 series endplates and conduit box	-	-	S	S
	300 series stainless stator frame, conduit box lid and fan cover	-	S	S	S
Drains	3 removable plastic condensation drain plugs, each end	S	-	-	-
	3 removable stainless steel condensation drain plugs, each end	-	S	S	S
	1 extra plastic T-drain provided, each end (for 6:00 position if desired)	S	S	S	S
Nameplate	Stainless steel nameplate affixed to band	S	S	-	-
	Nameplate information laser etched directly onto band	-	-	S	S
Conduit Box	Neoprene, lipped box-to-stator gasket	S	S	S	-
	180° rotatable conduit box	S	S	S	-
	Lipped lid w/neoprene gasket	S	S	S	S
	Epoxy Encapsulated leads in box	-	-	-	S
	Fully welded conduit box	-	-	-	S
Rotor	Epoxy primed rotor	S	S	S	S
Lubrication	Mobile Polyrex™ EM moisture resistant grease	S	S	S	S
Cooling	Non-metallic external cooling fan	S	S	S	S
Base	Standard welded base	S	S	S	-
	Fully welded base	-	-	-	S
Sealing	Lip & V-Ring seal on drive end, V-Ring seal on opposite drive end (TEFC)	S	-	-	-
	Labyrinth seal on drive end, V-Ring seal on opposite drive end (TEFC)	A	S	-	-
	Labyrinth seal on each end (TEFC)	A	A	S	A
	2-part sealing system (internal & external seals) on each end (TEFC)	-	-	-	S
	Sealer on endplate-to-stator fits	S	S	S	-
	O-Rings on endplate-to-stator fits	-	-	-	S
Paint	Powder coat/primer and 2-part epoxy finish coat	S	-	-	-
IP Code	Ingress Protection Code	IP55	IP55	IP56	IP56 & IP69K for water

A = Available through Mod-Express or as custom S = Standard

For more information visit baldor.com

Single Phase, Totally Enclosed, Foot Mounted

1/2 thru 1 1/2 Hp

IP55

General Information

Single Phase Motors

General Purpose Industrial Motors

Severe Duty Motors

Large AC Motors

Washdown Duty Motors

Explosion Proof Motors

Pump Motors

HVAC Motors

Farm Duty Motors



Features:

- 300 series stainless steel hardware
- Neoprene gaskets
- Double sealed ball bearings
- Lip and V-Ring seal on DE
- Electrostatically applied epoxy finish
- Stainless steel shaft extension

Applications:

- Food Processing
- Wet environment
- Packaging
- Pumps and Wastewater

Hp	RPM	NEMA Frame	Enclosure	Catalog Number	List Price	Mult. Sym.	"C" Dim.	Aprx. Wt. (lb)	Full Load Efficiency	Voltage	Full Load Amps	Notes (a)
1/2	1800	56	TEFC	WDL3504	592	WD	12.23	34	68	115/230	3.7	1, 12, 30
3/4	1800	56	TEFC	WDL3507	693	WD	12.23	37	68	115/230	5.5	1, 12, 30
1	1800	56	TEFC	WDL3510	801	WD	13.23	41	67	115/230	6.4	1, 30
		143T	TEFC	WDL3510T	823	WD	13.30	41	67	115/230	6.4	1, 30
1 1/2	1800	145T	TEFC	WDL3514T	987	WD	14.18	50	80	115/230	6.2	1, 30

(a) See notes on inside back flap.

Single Phase, Totally Enclosed, C-Face

1/2 thru 1 1/2 Hp

IP55



Features:

- 300 series stainless steel hardware
- Neoprene gaskets
- Double sealed ball bearings
- Lip and V-Ring seal on DE
- Electrostatically applied epoxy finish
- Stainless steel shaft extension

Applications:

- Food Processing
- Wet environment
- Packaging
- Pumps and Wastewater

Hp	RPM	NEMA Frame	Enclosure	Catalog Number	List Price	Mult. Sym.	"C" Dim.	Aprx. Wt. (lb)	Full Load Efficiency	Voltage	Full Load Amps	Notes (a)
Foot Mounted												
1/2	1800	56C	TEFC	CWDL3504	620	WD	12.23	35	68	115/230	3.7	1, 12, 30
3/4	1800	56C	TEFC	CWDL3507	721	WD	12.23	36	68	115/230	5.5	1, 12, 30
1	3600	56C	TEFC	CWDL3509	676	WD	12.23	37	68	115/230	5.9	1, 12, 30
	1800	56C	TEFC	CWDL3510	829	WD	13.23	41	67	115/230	6.4	1, 30
1 1/2	3600	56C	TEFC	CWDL3513	835	WD	13.23	41	70	115/230	8	1, 30
	1800	56C	TEFC	CWDL3514	993	WD	14.12	50	80	115/230	6.2	1, 30
Footless												
1/2	1800	56C	TEFC	VWDL3504	594	WD	12.25	35	68	115/230	3.7	1, 12, 30
3/4	1800	56C	TEFC	VWDL3507	698	WD	12.25	36	68	115/230	5.5	1, 12, 30
1	1800	56C	TEFC	VWDL3510	799	WD	13.25	42	67	115/230	6.4	1, 30
1 1/2	1800	56C	TEFC	VWDL3514	959	WD	14.10	48	80	115/230	6.2	1, 30

(a) See notes on inside back flap.

Three Phase, Totally Enclosed, Foot Mounted

1/2 thru 20 Hp

IP55**Features:**

- 300 series stainless steel hardware
- Neoprene gaskets
- Double sealed ball bearings
- Lip and V-Ring seal on DE
- Electrostatically applied epoxy finish
- Stainless steel shaft extension
- 3 year warranty

Applications:

- Food Processing
- Wet environment
- Conveyors
- Packaging
- Pumps and Wastewater

Hp	RPM	NEMA Frame	Enclosure	Catalog Number	List Price	Mult. Sym.	"C" Dim.	Aprx. Wt. (lb)	Full Load Efficiency	Voltage	Full Load Amps	Notes (a)
1/2	1800	56	TENV	WDM3538	621	WD	11.06	27	80	230/460	0.8	1, 12, 30
3/4	1800	56	TENV	WDM3542	664	WD	11.06	30	78.5	230/460	1.4	1, 12, 30
1	1800	56	TENV	EWDM3546	905	WD	12.06	39	85.5	230/460	1.5	1, 30
		143T	TENV	EWDM3546T	927	WD	12.12	39	85.5	230/460	1.5	1, 30
1 1/2	1800	145T	TENV	EWDM3554T	1,019	WD	13.00	49	86.5	230/460	2.1	1, 30
2	1800	145T	TEFC	EWDM3558T	1,196	WD	13.29	46	86.5	230/460	2.9	1, 30
3	1800	182T	TEFC	EWDM3611T	1,493	WD	16.54	73	89.5	230/460	4.2	1, 30
5	1800	184T	TEFC	EWDM3615T	1,699	WD	18.04	90	89.5	230/460	6.7	1, 30
7 1/2	1800	213T	TEFC	EWDM3710T	2,127	WD	19.04	151	91.7	230/460	9.5	1, 30
10	1800	215T	TEFC	EWDM3714T	2,317	WD	20.54	165	91.7	230/460	12	1
15	1800	254T	TEFC	EWDM23933T	4,997	WD	23.57	248	92.4	230/460	18	1, 30
20	1800	256T	TEFC	EWDM23934T	5,823	WD	23.57	269	93	230/460	24	1, 30

(a) See notes on inside back flap.

Red Catalog Number indicates **NEW** Product.

Three Phase, Totally Enclosed, C-Face, Foot Mounted

1/3 thru 20 Hp

IP55

General Information

Single Phase Motors

General Purpose Industrial Motors

Severe Duty Motors

Large AC Motors

Washdown Duty Motors

Explosion Proof Motors

Pump Motors

HVAC Motors

Farm Duty Motors



Features:

- 300 series stainless steel hardware
- Neoprene gaskets
- Double sealed ball bearings
- Lip and V-Ring seal on DE
- Electrostatically applied epoxy finish
- Stainless steel shaft extension
- 3 year warranty

Applications:

- Food Processing
- Wet environment
- Conveyors
- Packaging
- Pumps and Wastewater

Hp	RPM	NEMA Frame	Enclosure	Catalog Number	List Price	Mult. Sym.	"C" Dim.	Aprx. Wt. (lb)	Full Load Efficiency	Voltage	Full Load Amps	Notes (a)
1/3	3600	56C	TENV	CWDM3457	514	WD	10.25	20	72	208-230/460	0.7	1
	1800	56C	TENV	CWDM3534	541	WD	11.06	33	75.5	208-230/460	0.7	1
1/2	3600	56C	TENV	CWDM3537	604	WD	11.07	29	70	208-230/460	0.9	1, 12
	1800	56C	TENV	CWDM3538	654	WD	11.06	28	80	230/460	0.8	1, 12, 30
	1200	56C	TENV	CWDM3539	826	WD	12.06	37	78.5	208-230/460	1	1, 12
3/4	3600	56C	TENV	CWDM3541	633	WD	11.07	35	80	230/460	1.1	1, 12, 30
	1800	56C	TENV	CWDM3542	709	WD	11.07	29	78.5	230/460	1.4	1, 12, 30
	1200	56C	TENV	CWDM3543	997	WD	12.94	46	80	208-230/460	1.4	1
1	3600	56C	TEFC	CEWDM3545	1,039	WD	12.24	33	77	230/460	1.4	1, 12
		56C	TENV	CEWDM3545	981	WD	11.06	35	82.5	230/460	1.3	
	1800	56C	TENV	CEWDM3546	1,044	WD	12.06	41	85.5	230/460	1.5	30
		56C	TENV	CWDM3546	760	WD	11.06	34	82.5	230/460	1.5	1, 16, 30
		143TC	TENV	CEWDM3546T	1,065	WD	12.13	37	85.5	230/460	1.5	30
1200	56C	TEFC	CEWDM3556	1,172	WD	13.24	43	82.5	230/460	1.8	1, 30	
1 1/2	3600	56C	TENV	CEWDM3550	1,068	WD	12.07	46	85.5	230/460	2	1, 30
	1800	56C	TENV	CEWDM3554	1,092	WD	12.94	50	86.5	230/460	2.1	1, 30
		145TC	TENV	CEWDM3554T	1,115	WD	13.00	48	86.5	230/460	2.1	1, 30
1200	182TC	TEFC	CEWDM3607T	1,299	WD	15.17	72	87.5	230/460	2.4	1, 30	
2	3600	56HCY	TEFC	CEWDM3555	1,155	WD	13.24	35	85.5	230/460	2.5	1, 30
		145TC	TEFC	CEWDM3555T	1,178	WD	13.28	45	85.5	230/460	2.5	1, 30
	1800	56C	TEFC	CEWDM3558	1,191	WD	14.12	48	86.5	230/460	2.9	1, 30
		145TC	TEFC	CEWDM3558T	1,229	WD	13.28	46	86.5	230/460	2.9	1, 30
		145TC	TENV	CEWDM3558T	1,200	WD	14.37	54	88.5	230/460	2.7	1, 30
1200	184TC	TEFC	CEWDM3614T	1,441	WD	18.04	93	88.5	230/460	3.5	1, 30	
3	3600	145TC	TEFC	CEWDM3559T	1,451	WD	14.17	60	86.5	230/460	3.6	1, 30
		182TC	TEFC	CEWDM3610T	1,368	WD	15.18	57	86.5	230/460	3.6	1, 30
	1800	182TC	TEFC	CEWDM3611T	1,614	WD	16.54	78	89.5	230/460	4.2	1, 30
	1200	213TC	TEFC	CEWDM3704T	1,899	WD	19.78	136	89.5	230/460	4.6	1, 30
5	3600	184TC	TEFC	CEWDM3613T	1,920	WD	16.54	80	88.5	230/460	5.9	1, 30
	1800	184TC	TEFC	CEWDM3615T	1,829	WD	18.04	96	89.5	230/460	6.7	1, 30
	1200	215TC	TEFC	CEWDM3708T	2,249	WD	20.53	161	89.5	230/460	7.3	1, 30
7 1/2	3600	184TC	TEFC	CEWDM3616T	2,282	WD	18.04	101	89.5	230/460	8.4	1, 30
		213TC	TEFC	CEWDM3709T	2,705	WD	18.64	143	89.5	230/460	9	1, 30
	1800	213TC	TEFC	CEWDM3710T	2,314	WD	19.78	151	91.7	230/460	9.5	1, 30
	1200	254TC	TEFC	CEWDM22976T	3,861	WD	23.57	280	91	230/460	11	1, 30
10	3600	215TC	TEFC	CEWDM3711T	2,977	WD	18.64	122	90.2	230/460	11.8	1, 30
	1800	215TC	TEFC	CEWDM3714T	2,630	WD	21.27	165	91.7	230/460	12	1
	1200	256TC	TEFC	CEWDM23932T	4,389	WD	23.57	289	91	230/460	15.1	1, 30
15	3600	215TC	TEFC	CEWDM3713T	3,741	WD	21.26	174	91	230/460	17	1, 30
		254TC	TEFC	CEWDM23994T	5,255	WD	21.94	188	91	230/460	16.6	1, 30
20	1800	254TC	TEFC	CEWDM23933T	5,172	WD	23.57	256	92.4	230/460	18	1, 30
		3600	256TC	TEFC	CEWDM41906T	6,031	WD	23.57	274	91	230/460	23
	1800	256TC	TEFC	CEWDM23934T	5,998	WD	23.57	283	93	230/460	24	1, 30

(a) See notes on inside back flap.

Red Catalog Number indicates **NEW** Product.

Three Phase, Totally Enclosed, C-Face, Footless**1/3 thru 10 Hp****IP55****Features:**

- 300 series stainless steel hardware
- Neoprene gaskets
- Double sealed ball bearings
- Lip and V-Ring seal on DE
- Electrostatically applied epoxy finish
- Stainless steel shaft extension
- 3 year warranty

Applications:

- Food Processing
- Wet environment
- Conveyors
- Packaging
- Pumps and Wastewater

Hp	RPM	NEMA Frame	Enclosure	Catalog Number	List Price	Mult. Sym.	"C" Dim.	Aprx. Wt. (lb)	Full Load Efficiency	Voltage	Full Load Amps	Notes (a)	
1/3	3600	56C	TENV	VWDM3457	493	WD	10.26	20	72	208-230/460	0.7	1	
	1800	56C	TENV	VWDM3534	519	WD	11.06	33	75.5	208-230/460	0.7	1	
1/2	1800	56C	TENV	VEWDM3538	868	WD	11.06	32	84	208-230/460	0.9		
		56C	TEFC	VFWDM3538	678	WD	12.24	29	80	230/460	0.8	1, 12, 30	
		56C	TENV	VWDM3538	649	WD	11.06	29	80	230/460	0.8	1, 12, 30	
3/4	1800	56C	TENV	VEWDM3542	955	WD	11.06	32	84	230/460	1.1	1, 12	
		56C	TEFC	VFWDM3542	733	WD	12.24	31	78.5	230/460	1.4	1, 12, 30	
		56C	TENV	VWDM3542	705	WD	11.06	33	80	230/460	1.2	1, 12	
1	1800	56C	TEFC	VEFWDM3546	1,062	WD	12.22	38	85.5	230/460	1.5	1, 30	
		56C	TENV	VEWDM3546	1,034	WD	12.06	40	85.5	230/460	1.5	30	
		56C	TENV	VWDM3546	755	WD	11.06	35	82.5	230/460	1.5	1, 16, 30	
		143TC	TEFC	VEFWDM3546T	1,070	WD	12.30	36	85.5	230/460	1.5	1, 30	
		143TC	TENV	VEWDM3546T	1,042	WD	12.12	40	85.5	230/460	1.5	30	
1 1/2	1800	56C	TENV	VEWDM3554	1,110	WD	12.94	48	86.5	230/460	2.1	1, 30	
		145TC	TEFC	VEFWDM3554T	1,148	WD	13.28	43	86.5	230/460	2.2	1, 30	
		145TC	TENV	VEWDM3554T	1,119	WD	13.00	48	86.5	230/460	2.1	1, 30	
2	1800	56C	TEFC	VEWDM3558	1,181	WD	13.22	46	86.5	230/460	2.9	1, 30	
		56C	TEFC	VWDM3558	844	WD	13.22	40	82.5	230/460	3	1, 16	
		145TC	TEFC	VEWDM3558T	1,204	WD	13.28	47	86.5	230/460	2.9	1, 30	
3	3600	56C	TEFC	VEWDM3559	1,368	WD	14.12	50	86.5	230/460	3.6	1, 30	
		1800	145TC	TEFC	VEWDM3651T	1,524	WD	15.63	101	89.5	230/460	4.1	1, 30
			182TC	TEFC	VEWDM3611T	1,513	WD	16.54	73	89.5	230/460	4.2	1, 30
5	1800	184TC	TEFC	VEWDM3615T	1,715	WD	18.05	89	89.5	230/460	6.7	1, 30	
7 1/2	1800	213TC	TEFC	VEWDM3710T	2,294	WD	19.78	151	91.7	230/460	9.5	1, 30	
10	1800	215TC	TEFC	VEWDM3714T	2,465	WD	21.27	165	91.7	230/460	12	1, 30	

(a) See notes on inside back flap.

Red Catalog Number indicates **NEW** Product.

Three Phase, Totally Enclosed, C-Face, 575V

1/2 thru 20 Hp

IP55



Features:

- 300 series stainless steel hardware
- Neoprene gaskets
- Double sealed ball bearings
- Lip and V-Ring seal on DE
- Electrostatically applied epoxy finish
- Stainless steel shaft extension
- 3 year warranty

Applications:

- Food Processing
- Wet environment
- Conveyors
- Packaging
- Pumps and Wastewater

Hp	RPM	NEMA Frame	Enclosure	Catalog Number	List Price	Mult. Sym.	"C" Dim.	Aprx. Wt. (lb)	Full Load Efficiency	Voltage	Full Load Amps	Notes (a)
Foot Mounted												
1/2	1800	56C	TENV	CWDM3538-5	654	WD	11.07	26	80	575	0.7	1, 12
3/4	1800	56C	TENV	CWDM3542-5	709	WD	11.06	35	78.5	575	1.1	1, 12
1	1800	56C	TENV	CEWDM3546-5	1,044	WD	12.06	39	85.5	575	1.2	
		143TC	TENV	CEWDM3546T-5	1,065	WD	12.12	38	85.5	575	1.2	
1 1/2	1800	145TC	TENV	CEWDM3554T-5	1,115	WD	13.00	46	86.5	575	1.7	1
2	1800	145TC	TEFC	CEWDM3558T-5	1,229	WD	13.28	46	86.5	575	2.3	1
3	3600	145TC	TEFC	CEWDM3559T-5	1,451	WD	14.17	52	86.5	575	2.9	1
	1800	182TC	TEFC	CEWDM3611T-5	1,614	WD	16.54	77	89.5	575	3.3	1
5	3600	184TC	TEFC	CEWDM3613T-5	1,920	WD	16.54	70	88.5	575	4.7	1
	1800	184TC	TEFC	CEWDM3615T-5	1,829	WD	18.04	94	89.5	575	5.3	1
7 1/2	1800	213TC	TEFC	CEWDM3710T-5	2,314	WD	19.78	195	91.7	575	7.6	1
10	1800	215TC	TEFC	CEWDM3714T-5	2,630	WD	21.27	165	91.7	575	9.6	1
15	1800	254TC	TEFC	CEWDM23933T-5	5,172	WD	23.57	258	92.4	575	14.5	1
20	1800	256TC	TEFC	CEWDM23934T-5	5,998	WD	23.57	289	93	575	19	1
Footless												
1/2	1800	56C	TENV	VWDM3538-5	649	WD	11.06	28	80	575	0.7	1, 12
3/4	1800	56C	TENV	VWDM3542-5	705	WD	11.06	32	80	575	0.9	1, 12

(a) See notes on inside back flap.

General Information

Single Phase Motors

General Purpose Industrial Motors

Severe Duty Motors

Large AC Motors

Washdown Duty Motors

Explosion Proof Motors

Pump Motors

HVAC Motors

Farm Duty Motors

Feather Picker Motor, Three Phase, TEFC, Encapsulated, Foot Mounted**2 thru 3 Hp****IP56****Features:**

- Labyrinth seal on DE and ODE
- Epoxy encapsulated
- Stainless steel hardware, shaft extension, nameplate
- Neoprene gaskets
- Double sealed ball bearings
- Electrostatically applied epoxy finish

Applications:

- Feather Picker
- Food Processing
- Wet environment

Hp	RPM	NEMA Frame	Catalog Number	List Price	Mult. Sym.	"C" Dim.	Aprx. Wt. (lb)	Full Load Efficiency	Voltage	Full Load Amps	Notes (a)
2	1800	145T	WDM3558TP	1,185	WD	14.24	39	81.5	230/460	2.9	30, 31
3	1800	145T	WDM3561TP	1,455	WD	15.62	59	81.5	230/460	3.4	2, 8, 31

(a) See notes on inside back flap.

Red Catalog Number indicates **NEW** Product.**Feather Picker Motor, Three Phase, TEFC, Encapsulated, C-Face, Foot Mounted****3 Hp****IP56****Features:**

- Labyrinth seal on DE and ODE
- Epoxy encapsulated
- Stainless steel hardware, shaft extension, nameplate
- Neoprene gaskets
- Double sealed ball bearings
- Electrostatically applied epoxy finish

Applications:

- Feather Picker
- Food Processing
- Wet environment

Hp	RPM	NEMA Frame	Catalog Number	List Price	Mult. Sym.	"C" Dim.	Aprx. Wt. (lb)	Full Load Efficiency	Voltage	Full Load Amps	Notes (a)
3	1800	145TC	CWDM3561TP	1,493	WD	15.62	59	81.5	230/460	3.4	2, 8, 31

(a) See notes on inside back flap.

Red Catalog Number indicates **NEW** Product.

Brake Motor, Three Phase, Totally Enclosed, C-Face, Foot Mounted

1/2 thru 5 Hp

IP55



Features:

- 300 series stainless steel hardware
- Neoprene gaskets
- Double sealed ball bearings
- Power off manual release brake with automatic reset
- Lip and V-Ring seal on DE
- NEMA Premium® efficiency
- Electrostatically applied epoxy finish
- Stainless steel shaft extension
- Standard NEMA BA dimension

Applications:

- Food Processing
- Wet environment
- Conveyors
- Packaging
- Pumps and Wastewater

Hp	RPM	NEMA Frame	Enclosure	Catalog Number	List Price	Mult. Sym.	“C” Dim.	Aprx. Wt. (lb)	Full Load Efficiency	Voltage	Full Load Amps	Brake Rating ^(b)	Notes ^(a)
1/2	1800	56C	TENV	CEWDBM3538	2,025	WD	15.31	42	84	208-230/460	0.9	3	12, 41
3/4	1800	56C	TENV	CEWDBM3542	2,188	WD	15.31	42	84	230/460	1.1	6	12, 30, 41
1	1800	56C	TENV	CEWDBM3546	2,246	WD	16.31	50	85.5	230/460	1.5	6	30, 41
		143TC	TENV	CEWDBM3546T	2,269	WD	16.81	51	85.5	230/460	1.5	6	30, 41
1 1/2	1800	145TC	TENV	CEWDBM3554T	2,444	WD	18.14	61	86.5	230/460	2.1	10	30, 41
2	1800	145TC	TEFC	CEWDBM3558T	2,487	WD	18.56	60	86.5	230/460	2.9	10	30, 41
3	1800	182TC	TEFC	CEWDBM3611T	3,009	WD	21.80	93	89.5	230/460	4.2	15	30, 41
5	1800	184TC	TEFC	CEWDBM3615T	3,635	WD	23.30	110	89.5	230/460	6.7	25	30, 42

(a) See notes on inside back flap.

(b) Brake torque rating in lb-ft.

Jet Pump, Three Phase, TEFC, C-Face

3/4 thru 3 Hp

IP55



Features:

- 300 series stainless steel hardware and shaft extension
- Footless
- Neoprene gaskets
- Double sealed ball bearings
- Lip and V-Ring seal on DE
- Electrostatically applied epoxy finish
- Easy removable drain plugs

Applications:

- Food Processing
- Wet environment
- Pumps and Wastewater

Hp	RPM	NEMA Frame	Catalog Number	List Price	Mult. Sym.	“C” Dim.	Aprx. Wt. (lb)	Full Load Efficiency	Voltage	Full Load Amps	Notes ^(a)
Footless											
3/4	3600	56J	JWDM3463	634	WD	12.73	33	68	208-230/460	1.4	1
1	3600	56J	JEWDM3545	1,001	WD	12.73	38	78.5	230/460	1.6	1, 30
1 1/2	3600	56J	JEWDM3550	1,058	WD	13.73	41	84	230/460	2	1, 30
2	3600	56J	JEWDM3555	1,175	WD	13.73	41	85.5	230/460	2.5	1
3	3600	56J	JEWDM3559	1,393	WD	14.99	64	87.5	230/460	3.5	1, 30
Foot Mounted											
3/4	3600	56J	CJWDM3463	639	WD	12.72	33	68	208-230/460	1.4	1
1	3600	56J	CJEWDM3545	1,006	WD	12.72	38	78.5	230/460	1.6	1, 30
1 1/2	3600	56J	CJEWDM3550	1,063	WD	13.72	41	84	230/460	2	1, 30
2	3600	56J	CJEWDM3555	1,180	WD	13.73	41	85.5	230/460	2.5	1
3	3600	56J	CJEWDM3559	1,398	WD	14.99	64	87.5	230/460	3.5	1, 30

(a) See notes on inside back flap. Red Catalog Number indicates NEW Product.

General Information

Single Phase Motors

General Purpose Industrial Motors

Severe Duty Motors

Large AC Motors

Washdown Duty Motors

Explosion Proof Motors

Pump Motors

HVAC Motors

Farm Duty Motors

Close-Coupled Pump, Three Phase, Totally Enclosed**1 thru 15 Hp****IP55****Features:**

- Oversized, double sealed ball bearings
- Locked DE bearing
- Neoprene gaskets
- Lip and V-Ring seal on DE
- NEMA Premium® efficiency
- Electrostatically applied epoxy finish
- 300 series stainless steel hardware and shaft extension

Applications:

- Water pumps commercial and industrial
- Food processing
- Wet environment

Hp	RPM	NEMA Frame	Enclosure	Catalog Number	List Price	Mult. Sym.	"C" Dim.	Aprx. Wt. (lb)	Full Load Efficiency	Voltage	Full Load Amps	Notes (a)
1	1800	143JM	TENV	JMEWDM3546T	1,141	WD	14.25	39	85.5	230/460	1.5	30
1 1/2	3600	143JM	TENV	JMEWDM3550T	1,147	WD	14.25	48	85.5	230/460	2	1, 30
	1800	145JM	TENV	JMEWDM3554T	1,192	WD	15.13	50	86.5	230/460	2.1	1, 30
2	3600	145JM	TEFC	JMEWDM3555T	1,252	WD	15.43	47	85.5	230/460	2.5	1, 30
	1800	145JM	TEFC	JMEWDM3558T	1,305	WD	16.31	48	86.5	230/460	2.9	1, 30
3	3600	145JM	TEFC	JMEWDM3559T	1,529	WD	16.31	50	86.5	230/460	3.6	1, 30
	1800	182JM	TEFC	JMEWDM3611T	1,712	WD	18.05	70	89.5	230/460	4.2	1, 30
5	3600	184JM	TEFC	JMEWDM3613T	2,018	WD	18.05	81	88.5	230/460	5.6	1, 30
	1800	184JM	TEFC	JMEWDM3615T	1,928	WD	19.55	93	89.5	230/460	6.7	1, 30
7 1/2	3600	184JM	TEFC	JMEWDM3616T	2,391	WD	19.55	96	89.5	230/460	8.4	1, 30
	1800	213JM	TEFC	JMEWDM3710T	2,423	WD	16.66	127	91.7	230/460	9.4	1, 30
10	3600	215JM	TEFC	JMEWDM3711T	3,087	WD	16.66	130	90.2	230/460	10.8	1, 30
	1800	215JM	TEFC	JMEWDM3714T	2,576	WD	18.16	165	91.7	230/460	12	1, 30
15	3600	215JM	TEFC	JMEWDM3713T	3,851	WD	21.64	169	91	230/460	17	1, 30
	1800	254JM	TEFC	JMEWDM23933T	5,323	WD	25.06	252	92.4	230/460	18	1, 30
20	3600	256JM	TEFC	JMEWDM41906T	6,180	WD	25.06	255	91	230/460	23	1, 30
	1800	256JM	TEFC	JMEWDM23934T	6,151	WD	25.06	275	93	230/460	24	1, 30

(a) See notes on inside back flap.

Red Catalog Number indicates **NEW** Product.

**SSE Super-E Stainless Steel, Close-Coupled Pump,
Three Phase, Totally Enclosed, Encapsulated**

1 thru 10 Hp

IP56

**IP69K
for Water**



Features:

- 300 series stainless steel motor frame, endplates, conduit boxes, shaft and base
- Endplate rabbets with O-ring seals
- Epoxy encapsulated windings
- Sealed ball bearings
- Laser etched nameplate
- NEMA Premium® efficiency
- 3 year warranty

Applications:

- Water pumps commercial and industrial
- Food processing
- Pressure washed environment

Hp	RPM	NEMA Frame	Enclosure	Catalog Number	List Price	Mult. Sym.	“C” Dim.	Aprx. Wt. (lb)	Full Load Efficiency	Voltage	Full Load Amps	Notes (a)
1	1800	143JM	TENV	JMSSEWDM3546T	1,805	WD	14.94	62	87.5	230/460	1.5	30
1 1/2	3600	143JM	TENV	JMSSEWDM3550T	1,809	WD	15.82	68	85.5	230/460	1.8	30
	1800	145JM	TEFC	JMSSEWDM3554T	1,820	WD	16.96	69	88.5	230/460	2.2	30
2	3600	145JM	TEFC	JMSSEWDM3555T	2,138	WD	16.96	72	86.5	230/460	2.5	30
	1800	145JM	TEFC	JMSSEWDM3558T	2,168	WD	18.34	74	88.5	230/460	2.7	30
3	3600	145JM	TEFC	JMSSEWDM3559T	2,568	WD	18.34	83	86.5	230/460	3.7	30
	1800	182JM	TEFC	JMSSEWDM3611T	2,696	WD	19.73	108	89.5	230/460	4.2	30
5	3600	184JM	TEFC	JMSSEWDM3613T	2,904	WD	18.23	104	89.5	230/460	5.6	30
	1800	184JM	TEFC	JMSSEWDM3615T	2,924	WD	19.73	121	89.5	230/460	6.5	30
7 1/2	3600	213JM	TEFC	JMSSEWDM3709T	3,423	WD	21.56	184	91	230/460	8.3	30
	1800	213JM	TEFC	JMSSEWDM3710T	3,487	WD	22.75	135	91.7	230/460	9.5	30
10	3600	215JM	TEFC	JMSSEWDM3711T	3,838	WD	22.75	154	91.7	230/460	10.6	30
	1800	215JM	TEFC	JMSSEWDM3714T	4,049	WD	24.19	187	92.4	230/460	12.5	30

(a) See notes on inside back flap.

General Information

Single Phase Motors

General Purpose Industrial Motors

Severe Duty Motors

Large AC Motors

Washdown Duty Motors

Explosion Proof Motors

Pump Motors

HVAC Motors

Farm Duty Motors

Paint-Free, Three Phase, Totally Enclosed, C-Face**1/2 thru 10 Hp****IP55****Features:**

- Sealed ball bearings
- Neoprene gaskets
- Rotating non-contact labyrinth seal
- 300 series stainless steel motor frame, base, shaft and hardware
- No exterior paint
- 3 year warranty

Applications:

- Food Processing
- Packaging
- Outdoor applications

Hp	RPM	NEMA Frame	Enclosure	Catalog Number	List Price	Mult. Sym.	"C" Dim.	Aprx. Wt. (lb)	Full Load Efficiency	Voltage	Full Load Amps	Notes (a)	
Foot Mounted													
1/2	3600	56C	TENV	CSWDM3537	731	WD	11.06	29	70	208-230/460	0.9	2	
	1800	56C	TENV	CSWDM3538	715	WD	11.06	27	80	230/460	0.8	1, 12, 30	
	1200	56C	TENV	CSWDM3539	1,000	WD	12.06	38	78.5	208-230/460	1	1, 12	
3/4	3600	56C	TENV	CSWDM3541	767	WD	11.06	36	80	208-230/460	1.1	1, 12	
	1800	56C	TENV	CSWDM3542	825	WD	11.06	30	78.5	230/460	1.4	1, 12, 30	
	1200	56C	TENV	CSWDM3543	1,207	WD	12.94	47	81.5	208-230/460	1.4		
1	1800	56C	TENV	CESWDM3546	1,150	WD	12.06	40	85.5	230/460	1.5	30	
		56C	TENV	CSWDM3546	854	WD	11.06	34	82.5	230/460	1.5	1, 16	
		143TC	TENV	CESWDM3546T	1,125	WD	12.12	39	87.5	230/460	1.5	1, 30	
1 1/2	1800	56C	TENV	CESWDM3554	1,174	WD	12.94	50	86.5	230/460	2.1	1, 30	
		145TC	TENV	CESWDM3554T	1,205	WD	13.00	50	86.5	230/460	2.1	1, 30	
2	3600	145TC	TEFC	CESWDM3555T	1,427	WD	14.16	52	86.5	230/460	2.5	1, 30	
		1800	56C	TEFC	CESWDM3558	1,389	WD	13.24	45	86.5	230/460	2.9	1, 30
			145TC	TEFC	CESWDM3558T	1,479	WD	15.54	56	88.5	230/460	2.8	1, 30
3	3600	145TC	TEFC	CESWDM3559T	1,756	WD	15.54	62	86.5	230/460	3.6	1, 30	
	1800	182TC	TEFC	CESWDM3611T	1,809	WD	16.56	79	89.5	230/460	4	1, 30	
5	3600	184TC	TEFC	CESWDM3613T	2,227	WD	18.06	88	90.2	230/460	5.7	30	
	1800	184TC	TEFC	CESWDM3615T	2,105	WD	18.06	92	89.5	230/460	6.7	1, 30	
7 1/2	3600	213TC	TEFC	CESWDM3709T	2,811	WD	18.68	134	91	230/460	8.3	30	
	1800	213TC	TEFC	CESWDM3710T	2,590	WD	19.81	135	91.7	230/460	9.5	1	
10	3600	215TC	TEFC	CESWDM3711T	3,116	WD	19.81	154	91.7	230/460	10.6	30	
	1800	215TC	TEFC	CESWDM3714T	2,947	WD	21.31	165	91.7	230/460	12	1	
Footless													
1/2	1800	56C	TENV	VSWDM3538	707	WD	11.06	28	80	230/460	0.8	1, 12, 30	
3/4	1800	56C	TENV	VSWDM3542	818	WD	11.06	31	78.5	230/460	1.4	1, 12, 30	
1	1800	56C	TENV	VESWDM3546	1,095	WD	12.06	39	85.5	230/460	1.5	30	
		143TC	TENV	VESWDM3546T	1,099	WD	12.12	43	87.5	230/460	1.5	1, 30	
1 1/2	1800	56C	TENV	VESWDM3554	1,192	WD	12.95	47	86.5	230/460	2.1	1, 30	
		145TC	TENV	VESWDM3554T	1,192	WD	13.00	49	86.5	230/460	2.1	1, 30	
2	1800	145TC	TEFC	VESWDM3558T	1,361	WD	15.56	55	88.5	230/460	2.8	1, 30	

(a) See notes on inside back flap.

Red Catalog Number indicates **NEW** Product.

Stainless Steel, Three Phase, Totally Enclosed, C-Face, Foot Mounted

1/3 thru 20 Hp

IP56



Features:

- 300 series stainless steel motor frame, endplates, conduit box, shaft, base, and hardware
- Four condensate drains in each endplate
- Endplate rabbets sealed
- Labyrinth seals on DE and ODE
- 3 year warranty

Applications:

- Food processing
- Packaging
- Pumps and Wastewater
- Wet environment

Hp	RPM	NEMA Frame	Enclosure	Catalog Number	List Price	Mult. Sym.	"C" Dim.	Aprx. Wt. (lb)	Full Load Efficiency	Voltage	Full Load Amps	Notes (a)
230/460 Volt												
1/3	3600	56C	TENV	CSSWDM3457	1,054	WD	11.09	33	74	208-230/460	0.6	1
	1800	56C	TENV	CSSWDM3534	1,109	WD	11.09	33	75.5	208-230/460	0.7	1
1/2	3600	56C	TENV	CSSWDM3537	1,245	WD	11.09	36	70	208-230/460	0.9	1
	1800	56C	TENV	CSSWDM3538	1,336	WD	11.09	37	80	208-230/460	0.9	1, 12
3/4	3600	56C	TENV	CSSWDM3541	1,287	WD	11.09	43	80	230/460	1.1	1, 12, 30
	1800	56C	TENV	CSSWDM3542	1,383	WD	11.09	42	82.5	208-230/460	1.1	1, 12
1	3600	56C	TENV	CESSWDM3545	1,411	WD	11.09	39	82.5	230/460	1.4	12
		56C	TENV	CESSWDM3546	1,405	WD	11.09	41	85.5	230/460	1.5	30
	1800	56C	TENV	CSSWDM3546	1,420	WD	11.09	47	85.5	230/460	1.5	16
		143TC	TEFC	CESSWDM3546T	1,426	WD	13.42	52	87.5	230/460	1.5	1, 30
1 1/2	3600	56C	TENV	CESSWDM3550	1,419	WD	12.97	56	85.5	230/460	1.8	1, 30
		143TC	TENV	CESSWDM3550T	1,431	WD	13.23	60	85.5	230/460	1.8	1, 30
	1800	56C	TEFC	CESSWDM3554	1,432	WD	13.34	41	86.5	230/460	2.2	1, 30
		145TC	TEFC	CESSWDM3554T	1,453	WD	13.42	55	87.5	230/460	2.1	1, 30
2	3600	145TC	TEFC	CESSWDM3555T	1,734	WD	14.30	64	86.5	230/460	2.5	1, 30
		56C	TEFC	CESSWDM3558	1,725	WD	13.34	45	86.5	230/460	2.9	1, 30
3	1800	145TC	TEFC	CESSWDM3558T	1,746	WD	15.67	64	88.5	230/460	2.8	1, 30
		145TC	TEFC	CESSWDM3559T	2,089	WD	15.67	74	86.5	230/460	3.7	1, 30
	3600	182TC	TEFC	CESSWDM3610T	2,231	WD	16.82	90	88.5	230/460	3.7	1, 30
		182TC	TEFC	CESSWDM3611T	2,041	WD	18.32	94	89.5	230/460	4.2	1, 30
5	3600	184TC	TEFC	CESSWDM3613T	2,374	WD	18.32	106	90.2	230/460	5.7	30
		184TC	TEFC	CESSWDM3615T	2,297	WD	18.32	112	89.5	230/460	6.5	30
7 1/2	3600	213TC	TEFC	CESSWDM3709T	2,786	WD	19.03	166	91	230/460	8.3	1, 30
		213TC	TEFC	CESSWDM3710T	2,873	WD	20.16	137	91.7	230/460	9.5	1, 30
10	3600	215TC	TEFC	CESSWDM3711T	3,109	WD	20.16	184	91.7	230/460	10.6	1, 30
		215TC	TEFC	CESSWDM3714T	3,169	WD	21.66	190	92.4	230/460	12.5	1, 30
15	3600	254TC	TEFC	CESSWDM23994T	6,345	WD	24.67	293	91	230/460	16.5	1, 30
		1800	254TC	TEFC	CESSWDM23933T	6,245	WD	24.67	293	92.4	230/460	17.7
20	3600	256TC	TEFC	CESSWDM41906T	7,283	WD	24.67	312	91	230/460	21.5	1, 30
		1800	256TC	TEFC	CESSWDM23934T	7,242	WD	24.67	299	93	230/460	23.4
575 Volt												
1/2	1800	56C	TENV	CSSWDM3538-5	1,336	WD	11.09	37	80	575	0.7	1, 12
3/4	1800	56C	TENV	CSSWDM3542-5	1,383	WD	11.09	41	82.5	575	0.9	1, 12
1	1800	143TC	TEFC	CESSWDM3546T-5	1,426	WD	13.42	51	87.5	575	1.3	1
1 1/2	1800	145TC	TEFC	CESSWDM3554T-5	1,453	WD	13.42	56	87.5	575	1.7	1
2	1800	145TC	TEFC	CESSWDM3558T-5	1,746	WD	15.67	64	88.5	575	2.2	1
3	3600	145TC	TEFC	CESSWDM3559T-5	2,089	WD	15.67	73	86.5	575	2.9	1
		1800	182TC	TEFC	CESSWDM3611T-5	2,041	WD	16.82	92	89.5	575	3.4
5	3600	184TC	TEFC	CESSWDM3613T-5	2,374	WD	18.32	106	90.2	575	4.6	
		1800	184TC	TEFC	CESSWDM3615T-5	2,297	WD	18.32	112	89.5	575	5.2

(a) See notes on inside back flap.

Red Catalog Number indicates NEW Product.

BALDOR • RELIANCE®**Washdown Duty Motors****Stainless Steel, Three Phase, Totally Enclosed, C-Face, Footless****1/3 thru 5 Hp****IP56****Features:**

- 300 series stainless steel motor frame, endplates, conduit box, shaft, base, and hardware
- Four condensate drains in each endplate
- Endplate rabbets sealed
- Labyrinth seals on DE and ODE
- 3 year warranty

Applications:

- Food processing
- Packaging
- Pumps and Wastewater
- Wet environment

Hp	RPM	NEMA Frame	Enclosure	Catalog Number	List Price	Mult. Sym.	"C" Dim.	Aprx. Wt. (lb)	Full Load Efficiency	Voltage	Full Load Amps	Notes (a)
1/3	3600	56C	TENV	VSSWDM3457	1,023	WD	11.09	33	74	208-230/460	0.6	1, 10
	1800	56C	TENV	VSSWDM3534	1,078	WD	11.09	33	75.5	208-230/460	0.7	1, 10
1/2	3600	56C	TENV	VSSWDM3537	1,215	WD	11.09	37	70	208-230/460	0.9	1, 10
		56C	TEFC	VSSFWDM3538	1,383	WD	12.34	40	80	208-230/460	0.9	1, 10, 12
	1800	56C	TENV	VSSWDM3538	1,308	WD	11.09	40	84	230/460	0.9	1, 10, 12, 30
3/4	3600	56C	TENV	VSSWDM3541	1,262	WD	11.09	41	80	230/460	1.1	1, 10, 12, 30
		56C	TEFC	VSSFWDM3542	1,428	WD	12.34	44	82.5	208-230/460	1.1	1, 10
	1800	56C	TENV	VSSWDM3542	1,356	WD	11.09	42	82.5	208-230/460	1.1	1, 10
1	1800	56C	TENV	VSSWDM3546	1,393	WD	11.09	46	85.5	208-230/460	1.5	16

For 1/2 thru 15 Hp Premium efficient designs, please refer to SSE Super-E® Encapsulated section for equivalent replacements.

(a) See notes on inside back flap.

SSE Super-E Stainless Steel, Three Phase, Totally Enclosed, C-Face, Foot Mounted, Encapsulated

1/2 thru 15 Hp

IP56 IP69K for Water



Features:

- 300 series stainless steel
- Epoxy Encapsulated windings
- Fully welded conduit box and base
- O-ring sealed rabbets
- Class H insulation
- Inverter ready
- Laser etched nameplate
- Four condensate drains in each endplate
- Double shaft sealing each end
- NEMA Premium® efficiency
- 3 year warranty

Applications:

- Food processing
- Pumps and Wastewater
- Outdoors
- High pressure washdown
- Caustic environment

Hp	RPM	NEMA Frame	Enclosure	Catalog Number	List Price	Mult. Sym.	"C" Dim.	Aprx. Wt. (lb)	Full Load Efficiency	Voltage	Full Load Amps	Notes (a)		
F1 Mounting														
1/2	3600	56C	TENV	CSSEWDM3537	1,412	WD	11.75	46	84	208-230/460	0.7	30		
	1800	56C	TENV	CSSEWDM3538	1,433	WD	11.75	50	84	230/460	0.9	12, 30		
	1200	56C	TENV	CSSEWDM3539	1,721	WD	12.75	37	77	208-230/460	0.9			
3/4	3600	56C	TENV	CSSEWDM3541	1,459	WD	11.75	53	86.5	208-230/460	1	30		
	1800	56C	TENV	CSSEWDM3542	1,481	WD	12.75	58	84	208-230/460	1.3			
	1200	56C	TENV	CSSEWDM3543	1,769	WD	13.63	63	82.5	208-230/460	1.3			
1	3600	56C	TENV	CSSEWDM3545	1,532	WD	12.75	59	82.5	208-230/460	1.4	30		
	1800	56C	TENV	CSSEWDM3546	1,547	WD	12.75	59	87.5	208-230/460	1.5	30		
		143TC	TENV	CSSEWDM3546T	1,560	WD	12.80	59	87.5	208-230/460	1.5	30		
	1200	56C	TEFC	CSSEWDM3556	1,829	WD	16.13	73	84	208-230/460	1.7			
	1 1/2	3600	56C	TENV	CSSEWDM3550	1,552	WD	13.63	62	85.5	230/460	1.8	30	
		143TC	TENV	CSSEWDM3550T	1,565	WD	13.68	63	85.5	230/460	1.8	30		
1800		56C	TEFC	CSSEWDM3554	1,559	WD	14.75	66	88.5	230/460	2.2	30		
	56C	TENV	CSSEWDM3554	1,531	WD	15.00	50	86.5	230/460	2.2	1, 30			
	145TC	TEFC	CSSEWDM3554T	1,574	WD	14.81	68	88.5	230/460	2.2	30			
	145TC	TENV	CSSEWDM3554T	1,546	WD	15.05	50	86.5	230/460	2.2	1, 30			
2	3600	1200	182TC	TEFC	CSSEWDM3607T	2,027	WD	19.25	83	87.5	230/460	2.5	30	
		56C	TEFC	CSSEWDM3555	1,857	WD	14.75	68	86.5	230/460	2.5	30		
		56C	TENV	CSSEWDM3555	1,829	WD	15.00	64	88.5	230/460	2.4	30		
		145TC	TEFC	CSSEWDM3555T	1,870	WD	14.81	71	86.5	230/460	2.5	30		
	1800	145TC	TENV	CSSEWDM3555T	1,842	WD	15.05	64	88.5	230/460	2.4	30		
		56C	TEFC	CSSEWDM3558	1,884	WD	16.13	72	88.5	230/460	2.7	30		
		56C	TENV	CSSEWDM3558	1,856	WD	15.00	56	88.5	230/460	2.8	30		
3	1200	145TC	TEFC	CSSEWDM3558T	1,897	WD	16.19	73	88.5	230/460	2.7	30		
		145TC	TENV	CSSEWDM3558T	1,869	WD	15.05	56	88.5	230/460	2.8	30		
		184TC	TEFC	CSSEWDM3614T	2,251	WD	19.25	125	88.5	230/460	3.5			
		145TC	TEFC	CSSEWDM3559T	2,267	WD	16.19	81	86.5	230/460	3.7	30		
5	3600	182TC	TENV	CSSEWDM3610T	2,322	WD	17.43	96	89.5	230/460	3.5			
		182TC	TEFC	CSSEWDM3611T	2,283	WD	19.25	112	89.5	230/460	4.2	30		
	1800	182TC	TENV	CSSEWDM3611T	2,248	WD	17.43	96	89.5	230/460	4	30		
		1200	213TC	TEFC	CSSEWDM3704T	2,966	WD	21.62	179	89.5	230/460	4.4		
7 1/2	3600	184TC	TEFC	CSSEWDM3613T	2,474	WD	17.75	108	89.5	230/460	5.6	30		
		1800	184TC	TEFC	CSSEWDM3615T	2,493	WD	19.25	124	89.5	230/460	6.5		
		1200	215TC	TEFC	CSSEWDM3708T	3,513	WD	23.06	210	89.5	230/460	7.2		
10	3600	213TC	TEFC	CSSEWDM3709T	3,104	WD	20.43	178	91	230/460	8.3	30		
		1800	213TC	TEFC	CSSEWDM3710T	3,168	WD	21.62	189	91.7	230/460	9.5	30	
		1200	254TC	TEFC	CSSEWDM22976T	6,031	WD	24.67	255	91	230/460	10.7		
15	3600	215TC	TEFC	CSSEWDM3711T	3,520	WD	21.62	202	91.7	230/460	10.6	30		
		1800	215TC	TEFC	CSSEWDM3714T	3,730	WD	23.06	214	92.4	230/460	12.5	30	
		1200	256TC	TEFC	CSSEWDM23932T	6,856	WD	25.67	265	91	230/460	15.1		
	1800	215TC	TEFC	CSSEWDM3713T	5,279	WD	23.06	187	91.7	230/460	17	30		
		F2 Mounting												
		1	143TC	TENV	CSSEWDFM3546T	1,560	WD	12.8	60	87.5	230/460	1.5	30	
		1 1/2	145TC	TEFC	CSSEWDFM3554T	1,574	WD	14.81	62	88.5	230/460	2.2	10, 30	
		2	145TC	TEFC	CSSEWDFM3558T	1,897	WD	16.19	73	88.5	230/460	2.7	10, 30	
3	182TC	TEFC	CSSEWDFM3611T	2,283	WD	19.25	111	89.5	230/460	4.2	10, 30			
5	184TC	TEFC	CSSEWDFM3615T	2,493	WD	19.25	122	89.5	230/460	6.5	10, 30			

(a) See notes on inside back flap. Red Catalog Number indicates NEW Product.

General Information

Single Phase Motors

General Purpose Industrial Motors

Severe Duty Motors

Large AC Motors

Washdown Duty Motors

Explosion Proof Motors

Pump Motors

HVAC Motors

Farm Duty Motors

BALDOR • RELIANCE**SSE Super-E Stainless Steel, Three Phase, Totally Enclosed, C-Face, Footless, Encapsulated****Washdown Duty Motors****1/2 thru 15 Hp****IP56****IP69K
for Water****Features:**

- 300 series stainless steel
- Epoxy Encapsulated windings
- Fully welded conduit box
- O-ring sealed rabbets
- Class H insulation
- Inverter ready
- Laser etched nameplate
- Four condensate drains in each endplate
- Double shaft sealing each end
- NEMA Premium® efficiency
- 3 year warranty

Applications:

- Food processing
- Pumps and Wastewater
- Outdoors
- High pressure washdown
- Caustic environment

Hp	RPM	NEMA Frame	Enclosure	Catalog Number	List Price	Mult. Sym.	"C" Dim.	Aprx. Wt. (lb)	Full Load Efficiency	Voltage	Full Load Amps	Notes (a)
1/2	3600	56C	TENV	VSSEWDM3537	1,344	WD	11.75	49	84	208-230/460	0.7	30
	1800	56C	TEFC	VSSEWDM3538	1,395	WD	12.88	49	84	208-230/460	0.9	
		56C	TENV	VSSEWDM3538	1,367	WD	11.75	49	84	208-230/460	0.9	
3/4	3600	56C	TENV	VSSEWDM3541	1,393	WD	11.75	54	86.5	208-230/460	1	30
	1800	56C	TEFC	VSSEWDM3542	1,443	WD	13.88	54	84	230/460	1.3	
		56C	TENV	VSSEWDM3542	1,415	WD	12.75	53	84	230/460	1.3	
	1200	56C	TENV	VSSEWDM3543	1,703	WD	13.63	61	82.5	208-230/460	1.3	
1	3600	56C	TENV	VSSEWDM3545	1,465	WD	12.75	57	82.5	230/460	1.4	30
	1800	56C	TEFC	VSSEWDM3546	1,509	WD	13.88	59	87.5	230/460	1.5	30
		56C	TENV	VSSEWDM3546	1,480	WD	12.75	58	87.5	230/460	1.5	30
		143TC	TEFC	VSSEWDM3546T	1,522	WD	13.94	59	87.5	230/460	1.5	30
	143TC	TENV	VSSEWDM3546T	1,494	WD	12.80	58	87.5	230/460	1.5	30	
1200	56C	TEFC	VSSEWDM3556	1,763	WD	16.13	72	84	230/460	1.7	30	
1 1/2	3600	56C	TENV	VSSEWDM3550	1,485	WD	13.63	66	85.5	230/460	1.8	30
		143TC	TENV	VSSEWDM3550T	1,499	WD	13.68	66	85.5	230/460	1.8	30
	1800	56C	TEFC	VSSEWDM3554	1,493	WD	14.75	66	88.5	230/460	2.2	30
		56C	TENV	VSSEWDM3554	1,465	WD	15.00	63	86.5	230/460	2.2	1, 30
		145TC	TEFC	VSSEWDM3554T	1,537	WD	14.81	66	88.5	230/460	2.2	30
		145TC	TENV	VSSEWDM3554T	1,509	WD	15.05	63	86.5	230/460	2.2	1, 30
2	3600	56C	TENV	VSSEWDM3555	1,764	WD	15.00	61	88.5	230/460	2.4	
		145TC	TEFC	VSSEWDM3555T	1,831	WD	14.81	70	86.5	230/460	2.5	30
		145TC	TENV	VSSEWDM3555T	1,803	WD	15.05	61	88.5	230/460	2.4	
	1800	56C	TEFC	VSSEWDM3558	1,818	WD	16.13	71	88.5	230/460	2.7	30
		56C	TENV	VSSEWDM3558	1,790	WD	15.00	63	88.5	230/460	2.8	
145TC	TEFC	VSSEWDM3558T	1,854	WD	16.19	71	88.5	230/460	2.7	30		
145TC	TENV	VSSEWDM3558T	1,826	WD	15.05	63	88.5	230/460	2.8			
3	3600	145TC	TEFC	VSSEWDM3559T	2,199	WD	16.19	61	86.5	230/460	3.7	1, 30
		182TC	TENV	VSSEWDM3610T	2,262	WD	17.43	93	89.5	230/460	3.5	
	1800	182TC	TEFC	VSSEWDM3611T	2,217	WD	19.25	60	89.5	230/460	4.2	30
182TC		TENV	VSSEWDM3611T	2,182	WD	17.43	109	89.5	230/460	4	30	
5	3600	184TC	TEFC	VSSEWDM3613T	2,390	WD	19.25	81	89.5	230/460	5.6	1, 30
	1800	184TC	TEFC	VSSEWDM3615T	2,409	WD	19.25	101	89.5	230/460	6.5	
7 1/2	3600	213TC	TEFC	VSSEWDM3709T	2,989	WD	20.43	129	91	230/460	8.3	1, 30
	1800	213TC	TEFC	VSSEWDM3710T	3,053	WD	21.62	132	91.7	230/460	9.5	1
10	3600	215TC	TEFC	VSSEWDM3711T	3,405	WD	21.62	154	91.7	230/460	10.6	1, 30
	1800	215TC	TEFC	VSSEWDM3714T	3,615	WD	23.06	187	92.4	230/460	12.5	1, 30
15	3600	215TC	TEFC	VSSEWDM3713T	5,164	WD	23.06	187	91.7	230/460	17	1, 30

(a) See notes on inside back flap.

Red Catalog Number indicates **NEW** Product.

SSE Super-E Stainless Steel, Three Phase, 575V, Totally Enclosed, C-Face, Foot Mounted, Encapsulated

1/2 thru 5 Hp

IP56 IP69K for Water



Features:

- 300 series stainless steel
- Epoxy Encapsulated windings
- Fully welded conduit box and base
- O-ring sealed rabbets
- Class H insulation
- Inverter ready
- Laser etched nameplate
- Four condensate drains in each endplate
- Double shaft sealing each end
- NEMA Premium® efficiency
- 3 year warranty

Applications:

- Food processing
- Pumps and Wastewater
- Outdoors
- High pressure washdown
- Caustic environment

Hp	RPM	NEMA Frame	Enclosure	Catalog Number	List Price	Mult. Sym.	"C" Dim.	Aprx. Wt. (lb)	Full Load Efficiency	Voltage	Full Load Amps	Notes (a)
1/2	3600	56C	TENV	CSSEWDM3537-5	1,412	WD	11.75	35	84	575	0.6	
	1800	56C	TENV	CSSEWDM3538-5	1,433	WD	11.75	35	84	575	0.7	12
3/4	1800	56C	TENV	CSSEWDM3542-5	1,481	WD	12.75	40	84	575	1	
1	1800	56C	TENV	CSSEWDM3546-5	1,547	WD	12.75	43	87.5	575	1.2	
		143TC	TENV	CSSEWDM3546T-5	1,560	WD	12.80	43	87.5	575	1.2	
1 1/2	1800	56C	TEFC	CSSEWDM3554-5	1,559	WD	14.75	62	86.5	575	1.7	
		145TC	TEFC	CSSEWDM3554T-5	1,574	WD	14.81	64	86.5	575	1.7	
2	1800	145TC	TEFC	CSSEWDM3558T-5	1,897	WD	16.19	72	88.5	575	2.2	
3	3600	145TC	TEFC	CSSEWDM3559T-5	2,267	WD	16.19	81	86.5	575	2.9	
	1800	182TC	TEFC	CSSEWDM3611T-5	2,283	WD	19.25	112	89.5	575	3.3	
5	3600	184TC	TEFC	CSSEWDM3613T-5	2,474	WD	17.75	110	89.5	575	4.5	
	1800	184TC	TEFC	CSSEWDM3615T-5	2,493	WD	19.25	125	89.5	575	5.1	

(a) See notes on inside back flap.

Washdown Lead Connection Kits



Heat shrink connector kit
WD5603A01SP*



Wirenut Kit
WD5600A01SP

Features:

- Heat shrink sealed closed-end connector kit (WD5603A01SP)
- Heat shrink connector kit bulk quantity (WD5603A05SP)
- Wirenut kit (WD5600A01SP)
- Provides extra protections against moisture ingress

Applications:

- Food Processing
- Wet Environment
- Conveyors
- Packaging
- Pumps and Wastewater

Catalog Number	Description	List Price	Mult. Sym.	Wire Range	Aprx. Wt. (lb)
WD5603A01SP	Includes 6 connectors	15	A8	#18 - #10 AWG	1
WD5603A05SP	Includes 50 connectors	60	A8	#18 - #10 AWG	3
WD5600A01SP	Includes 6 wirenuts	35	A8	#22 - #8 AWG	1

*WD5603A01SP is provided as standard for SSE Stainless Encapsulated Motors

Red Catalog Number indicates NEW Product.

BALDOR • RELIANCE®**Inverter Motor, Paint Free, Three Phase, Totally Enclosed, C-Face****Washdown Duty Motors****1/2 thru 10 Hp****IP55****Features:**

- Sealed ball bearings
- Neoprene gaskets
- Rotating non-contact labyrinth seal
- 300 series stainless steel motor frame, base, shaft and hardware
- No exterior paint
- Class H insulation
- NEMA Premium® efficiency
- Not encoder adaptable
- 3 year warranty

Applications:

- Conveyors
- Food Processing
- Pumps
- Packaging
- Outdoor applications

Hp	Base Speed RPM	Max. RPM	NEMA Frame	Enclosure	Catalog Number	List Price	Mult. Sym.	"C" Dim.	Aprx. Wt. (lb)	Full Load Efficiency	Voltage	Full Load Amps	Notes (a)
C-Face, Foot Mounted													
1/2	1800	6000	56C	TENV	IDCSWDM3538	1,551	WD	11.06	31	82.5	208-230/460	0.8	
3/4	1800	6000	56C	TENV	IDCSWDM3542	1,756	WD	11.06	32	82.5	208-230/460	1.1	
1	1800	6000	56C	TENV	IDCSWDM3546	1,823	WD	12.06	40	85.5	230/460	1.5	30
			143TC	TENV	IDCSWDM3546T	1,823	WD	12.12	42	85.5	230/460	1.5	
1 1/2	1800	4000	56C	TEFC	IDCSWDM3554	1,950	WD	14.12	51	88.5	230/460	2.1	
			145TC	TEFC	IDCSWDM3554T	1,950	WD	14.17	49	88.5	230/460	2.1	
2	1800	4500	56C	TEFC	IDCSWDM3558	2,083	WD	13.24	44	86.5	230/460	2.9	
			145TC	TEFC	IDCSWDM3558T	2,083	WD	13.29	48	86.5	230/460	2.9	
3	1800	6000	182TC	TEFC	IDCSWDM3611T	2,284	WD	18.06	85	89.5	230/460	4.2	
5	1800	6000	184TC	TEFC	IDCSWDM3615T	2,658	WD	18.06	99	89.5	230/460	6.5	
7 1/2	1800	6000	213TC	TEFC	IDCSWDM3710T	4,024	WD	19.81	136	91.7	230/460	9.5	
10	1800	6000	215TC	TEFC	IDCSWDM3714T	4,601	WD	21.31	187	92.4	230/460	12.5	
C-Face, Footless													
1/2	1800	6000	56C	TENV	IDVSWDM3538	1,538	WD	11.06	32	84	230/460	0.9	
3/4	1800	6000	56C	TENV	IDVSWDM3542	1,748	WD	11.06	35	82.5	230/460	1.1	
1	1800	6000	56C	TENV	IDVSWDM3546	1,814	WD	12.06	40	85.5	230/460	1.5	30
			143TC	TENV	IDVSWDM3546T	1,814	WD	12.12	40	85.5	230/460	1.5	30
1 1/2	1800	4000	56C	TEFC	IDVSWDM3554	1,940	WD	14.12	50	88.5	230/460	2.1	
			145TC	TEFC	IDVSWDM3554T	1,940	WD	14.17	50	88.5	230/460	2.1	
2	1800	4500	56C	TEFC	IDVSWDM3558	2,066	WD	13.24	45	86.5	230/460	2.9	
			145TC	TEFC	IDVSWDM3558T	2,066	WD	13.29	46	86.5	230/460	2.9	
3	1800	6000	182TC	TEFC	IDVSWDM3611T	2,172	WD	18.06	80	89.5	230/460	4.2	
5	1800	6000	184TC	TEFC	IDVSWDM3615T	2,532	WD	18.06	97	89.5	230/460	6.5	

(a) See notes on inside back flap.

Inverter Motor, Three Phase, TENV, C-Face, Foot Mounted

1 thru 10 Hp

IP55



Features:

- Inverter duty 1000:1 CT
- Encoder mounting provisions
- Class H insulation
- Thermostats
- 300 series stainless steel hardware
- Neoprene gaskets
- Double sealed ball bearings
- Lip and V-Ring seal on DE
- NEMA Premium® efficiency
- Electrostatically applied epoxy finish
- Stainless steel shaft extension
- 3 year warranty

Applications:

- Food Processing
- Wet environment
- Conveyors
- Packaging
- Pumps and Wastewater

Hp	Base Speed RPM	Max. RPM	NEMA Frame	Catalog Number	List Price	Mult. Sym.	“C” Dim.	Aprx. Wt. (lb)	Full Load Efficiency	Voltage	Full Load Amps	Notes (a)
1	1800	6000	143TC	IDWNM3546T	1,551	WD	14.90	41	85.5	230/460	1.5	
1 1/2	1800	4500	145TC	IDWNM3554T	1,708	WD	15.78	52	86.5	230/460	2.1	
2	1800	6000	182TC	IDWNM3609T	2,014	WD	17.77	69	86.5	230/460	2.9	
3	1800	6000	184TC	IDWNM3611T	2,050	WD	19.27	90	89.5	230/460	4.1	
5	1800	4000	213TC	IDWNM3707T	2,320	WD	19.84	122	89.5	230/460	6.7	
7 1/2	1800	5000	254TC	IDWNM22937T	4,132	WD	23.92	240	91.7	230/460	9.1	
10	1800	5000	254TC	IDWNM22938T	4,208	WD	23.92	287	91.7	230/460	12	

(a) See notes on inside back flap.

1000:1 CONSTANT TORQUE SPEED RANGE

Vector Motor, Three Phase, TENV, C-Face, Foot Mounted

1 thru 10 Hp

IP55



Features:

- Inverter duty 1000:1 CT
- HS25 Encoder mounted
- Class H insulation
- Thermostats
- 300 series stainless steel hardware
- Neoprene gaskets
- Double sealed ball bearings
- Lip and V-Ring seal on DE
- NEMA Premium® efficiency
- Electrostatically applied epoxy finish
- Stainless steel shaft extension
- 3 year warranty

Applications:

- Material handling
- Food processing
- Wet environment
- Conveyors
- Packaging

Hp	Base Speed RPM	Max. RPM	NEMA Frame	Catalog Number	List Price	Mult. Sym.	“C” Dim.	Aprx. Wt. (lb)	Full Load Efficiency	Voltage	Full Load Amps	Notes (a)
1	1800	6000	143TC	ZDWNM3546T	3,107	WD	14.90	44	85.5	230/460	1.5	
1 1/2	1800	4500	145TC	ZDWNM3554T	3,264	WD	15.78	56	86.5	230/460	2.1	
2	1800	6000	182TC	ZDWNM3609T	3,576	WD	17.77	71	86.5	230/460	2.9	
3	1800	6000	184TC	ZDWNM3611T	3,609	WD	19.27	90	89.5	230/460	4.1	
5	1800	6000	213TC	ZDWNM3707T	3,878	WD	19.84	126	89.5	230/460	6.7	
7 1/2	1800	5000	254TC	ZDWNM22937T	5,667	WD	23.92	241	91.7	230/460	9.1	
10	1800	5000	254TC	ZDWNM22938T	5,767	WD	23.92	286	91.7	230/460	12	

(a) See notes on inside back flap.

1000:1 CONSTANT TORQUE SPEED RANGE

BALDOR • RELIANCE**Explosion Proof Motors**

Baldor•Reliance Explosion Proof motors are certified for use in Hazardous Locations or potentially Hazardous Environments where concentrations of combustible gasses, vapors and or dust may be present. These motors meet UL and CSA standards for use in Division based hazardous locations per NFPA70 National Electric Code and C22.1, the Canadian Electric Code.

**Key Features:**

- Uncompromised safety
- UL Certification markings
- Premium efficient electrical designs

1/4 - 250 Horsepower

Product Line	Explosion Proof	Severe Duty XP	Drill Rig Motors	XP Pump Motors	XP Brake Motors	XP Inverter Duty
Division 1 Certifications						
Class & Group	Class I, Group D	S	-	-	S	S
	Class I, Group C & D	-	-	S	S	-
	Class I, Group D & Class II, Group F & G	S	-	-	S	S
	Class I, Group D & Class II, Group E, F & G	-	S	-	-	-
	Class I, Group C & D & Class II, Group F & G	S	-	-	-	S
Electrical Features						
Efficiency	Baldor•Reliance motors meet or exceed all efficiency requirements for US, Canada and Mexico regulations	S	S	S	S	S
Service Factor	1.0 Service Factor Continuous	S	-	-	S	S
	1.15 Service Factor Continuous	-	S	S	S	-
Ambient	40°C Ambient	S	-	-	S	S
	40°C Ambient, Suitable for 55°C Ambient at 1.0 Service Factor	-	S	S	-	-
Inverter	Motor nameplate includes Variable Torque and Constant Torque speed ranges	-	-	-	-	S
Mechanical Features						
Frame	Steel Band Frame – cast iron endplates	S	-	-	S	S
	Cast Iron Frame – cast iron endplates	S	-	-	S	S
Fan Cover	Steel Fan Cover	S	-	S	-	S
	Cast Iron Fan Cover	-	S	S	-	-
UL Drains	UL Listed Breather Drain - (Inverter Duty only included on Class I, Group C & D, Class II, Group F & G)	-	S	S	-	- / S

S = Standard

Explosion Proof, Single and Three Phase, Foot Mounted

1/4 thru 250 Hp



Features:

- Robust steel and cast iron frame designs
- Auto thermal overload (<1 Hp), normally closed thermostats (>1 Hp)
- Threaded lead inlet
- Low noise vibration dampening bases

Applications:

- Customer specified Division 1 Hazardous Areas
- Pumps, fans and conveyors
- Fixed speed operation

Hp	RPM	NEMA Frame	Catalog Number	XP Cls/Grp	Temp Code	List Price	Mult. Sym.	"C" Dim.	Aprx. Wt. (lb)	Full Load Efficiency	Voltage	Full Load Amps	Notes (a)	
Single Phase														
1/4	1800	48	L4003A	②	T3C	553	K	12.85	26	55	115/208-230	2.5		
		56	L5000A	②	T3C	528	K	13.22	29	62	115/208-230	2.1		
		56	L5000A-C	⑤	T3C	657	K	13.22	35	62	115/208-230	2.1		
1/3	3600	48	L4005A	②	T3C	490	K	12.85	32	55	115/230	3		
	1800	48	L4006A	②	T3C	713	K	12.85	29	60	115/208-230	3		
		56	L5001A	②	T3C	679	K	13.22	29	60	115/208-230	3		
1/2	1200	56	L5002A	②	T4	961	K	14.30	41	54	115/230	3.4		
	3600	56	L5003A	②	T3C	644	K	13.22	29	57	115/230	3.7		
		1800	48	L4009A	②	T3C	784	K	13.85	35	64	115/208-230	3.7	
			56	L5004A	②	T3C	748	K	14.22	35	64	115/208-230	3.7	
3/4	3600	56	L5004A-C	⑤	T3C	877	K	14.22	40	64	115/208-230	3.7		
		56	L5005A	②	T4	1,107	K	15.17	50	59	115/230	4		
		56	L5006A	②	T4	726	K	14.30	40	62	115/230	4.9		
	1200	56	L5007A	②	T4	879	K	15.17	47	66	115/230	5.3		
1	1800	56	L5007A-C	⑤	T4	1,008	K	15.17	53	66	115/230	5.3		
		56	L5022	①	T2C	1,280	K	17.42	57	68	115/208-230	5.4		
	3600	56	L5009A	②	T4	784	K	15.17	48	66	115/230	6		
1 1/2	1800	56	L5023A	①	T2C	1,001	K	15.17	48	67	115/230	6.5		
		143T	L5023T	①	T2C	980	L1	15.23	46	72	115/208-230	5.9		
	1200	184	L5026	②	T3C	2,193	L1	16.92	83	67	115/208-230	7		
2	3600	143T	L5030T	②	T3C	1,136	L1	15.23	54	70	115/208-230	7.5		
	1800	184	L5013	②	T3C	2,036	L1	16.92	77	70	115/230	9.5		
3	3600	145T	L5031T	②	T3C	1,404	L1	16.11	57	74	115/208-230	11.5		
	1800	182T	L5027T	①	T2C	2,063	L1	17.42	84	75	115/230	11		
5	3600	184T	L5028T	①	T2C	2,144	L1	17.42	84	76	115/230	14.5		
	1800	215	L5018	②	T3C	3,257	L1	19.49	152	79	115/230	15		
5	1800	215	L5020	①	T2C	4,143	L1	19.90	166	84	230	21		
Three Phase														
1/4	1800	48	M6002A	②	T3C	575	K	12.85	25	63	208-230/460	0.7		
1/3	1800	56	M7002A	②	T3C	691	K	13.22	27	67	208-230/460	0.8		
	1200	56	M7003A	②	T4	992	K	14.36	34	70	208-230/460	0.8		
1/2	3600	56	M7005A	②	T3C	792	K	13.22	27	68	208-230/460	1.1		
	1800	48	M6007A	②	T3C	719	K	12.85	30	74	208-230/460	1		
		56	M7006A	②	T3C	719	K	13.22	29	74	208-230/460	1		
3/4	1200	56	M7007A	②	T4	1,047	K	14.36	39	70	208-230/460	1.2		
	3600	56	M7009A	②	T3C	825	K	13.22	29	75	208-230/460	1.3		
		1800	56	M7010A	②	T3C	828	K	14.22	33	73	208-230/460	1.5	
	1200	56	M7031A	②	T4	1,112	K	15.23	43	77	208-230/460	1.4		
		143T	M7031TA	②	T4	1,112	L1	15.23	47	77	208-230/460	1.4		

(a) See notes on inside back flap.

① = Class I, Group D

② = Class I, Group D, Class II, Group F & G

⑤ = Class I, Group C & D, Class II, Group F & G

CAUTION: Explosion-proof motors have a tight fit between mating parts to ensure the integrity of the explosion-proof enclosure. This can lead to an accumulation of moisture inside the motors due to condensation. If internal condensation buildup is a concern for your XP motor application, select a motor that includes UL listed breather drain. These explosion-proof motors are not suitable for use with adjustable speed drives. Inverter duty explosion-proof motors must be used.

General Information

Single Phase Motors

General Purpose Industrial Motors

Severe Duty Motors

Large AC Motors

Washdown Duty Motors

Explosion Proof Motors

Pump Motors

HVAC Motors

Farm Duty Motors

Explosion Proof, Single and Three Phase, Foot Mounted

Hp	RPM	NEMA Frame	Catalog Number	XP Cls/Grp	Temp Code	List Price	Mult. Sym.	"C" Dim.	Aprx. Wt. (lb)	Full Load Efficiency	Voltage	Full Load Amps	Notes (a)	
1	3600	56	EM7013	②	T3C	999	K	14.22	32	77	230/460	1.4	30	
		56	M7013	②	T3C	869	K	13.22	29	75.5	208-230/460	1.8		
	1800	56	EM7014	②	T3C	1,266	K	14.30	51	85.5	230/460	1.5	30	
		56	M7014	②	T3C	907	K	14.30	39	75.5	208-230/460	1.8	19	
		143T	EM7014T	②	T3C	1,266	L1	14.36	44	85.5	230/460	1.5	19, 30	
		143T	EM7114T	②	T3C	1,439	L1	16.28	78	85.5	230/460	1.5	19, 30	
		143T	EM7114T-C	⑤	T4	1,444	L1	16.28	78	85.5	230/460	1.5	19, 30	
		182	EM7015	②	T3C	1,519	L1	15.23	51	85.5	230/460	1.5	30	
	1200	182	M7015	②	T3C	1,307	L1	15.23	48	82.5	230/460	1.6	19	
		56	EM7032	②	T3C	1,416	K	15.17	49	82.5	230/460	1.8	30	
		56	M7032	①	T2C	1,112	K	14.30	44	78.5	230/460	1.9		
		145T	EM7032T	②	T3C	1,416	L1	15.23	52	82.5	230/460	1.8	19, 30	
1 1/2	3600	143T	EM7018T	②	T3C	1,158	L1	14.36	45	84	230/460	1.9	19	
		56	EM7034	②	T3C	1,311	K	15.17	50	86.5	230/460	2.2	30	
	1800	56	M7034	②	T3C	987	K	14.30	44	81.5	208-230/460	2.3	19	
		145T	EM7034T	②	T3C	1,311	L1	15.23	50	86.5	230/460	2.2	19, 30	
		145T	EM7134T	②	T3C	1,461	L1	16.28	84	86.5	208-230/460	2.3		
		145T	EM7134T-C	⑤	T4	1,478	L1	16.28	62	86.5	208-230/460	2.3		
		184	EM7019	②	T3C	1,573	L1	15.23	50	86.5	230/460	2.2	30	
		184	M7019	②	T3C	1,656	L1	15.23	55	84	230/460	2.4	19	
	1200	182T	EM7020T	②	T3C	1,949	L1	17.42	88	87.5	230/460	2.4	19	
		182T	EM7120T	②	T3C	2,167	L1	17.56	134	87.5	230/460	2.5	19	
	2	3600	145T	EM7071T	②	T3C	1,186	L1	15.23	52	85.5	230/460	2.5	19, 30
			56	EM7037	②	T3C	1,431	K	15.17	59	86.5	230/460	2.9	30
1800		56	M7037	②	T3C	1,104	K	15.17	47	82.5	208-230/460	3		
		145T	EM7037T	②	T3C	1,431	L1	15.23	58	86.5	230/460	2.9	19	
		145T	EM7137T	②	T3C	1,499	L1	16.28	81	86.5	230/460	2.9	19	
		145T	EM7137T-C	⑤	T3C	1,519	L1	16.28	60	86.5	208-230/460	2.9		
		184	EM7023	②	T3C	1,717	L1	15.23	59	86.5	230/460	2.9	30	
		184	M7023	②	T3C	1,696	L1	15.23	55	84.1	230/460	3.1	19	
1200		184T	EM7041T	②	T3C	2,008	L1	18.92	97	88.5	230/460	3.5	19, 20, 30	
3		3600	145T	EM7075T	①	T3C	1,404	L1	16.10	59	86.5	230/460	3.6	30
			182T	EM7026T	②	T3C	1,484	L1	16.05	69	86.5	230/460	3.7	19, 30
		1800	182T	EM7126T	②	T3C	1,995	L1	17.56	126	86.5	230/460	3.8	19
	184		EM7026	②	T3C	1,685	L1	15.55	80	86.5	230/460	3.7	30	
	184		M7026	②	T3C	1,450	L1	15.55	74	85.5	230/460	3.7	19, 30	
	182T		EM7042T	②	T3C	1,520	L1	17.42	108	89.5	230/460	4.2	19, 30	
	182T		EM7142T	②	T3C	1,597	L1	17.56	130	89.5	230/460	4.1	19, 30	
	182T		EM7142T-C	⑤	T4	1,643	L1	17.56	137	89.5	230/460	4.1	19, 30	
	1200	213	EM7027	②	T3C	1,824	L1	18.94	170	89.5	230/460	4.2	30	
		213	M7027	②	T3C	1,937	L1	18.06	169	87.5	230/460	4.1	19, 30	
		213T	EM7036T	②	T3C	2,188	L1	20.32	170	89.5	230/460	4.6	19, 30	
	5	3600	184T	EM7072T	②	T3C	1,745	L1	18.12	93	88.5	230/460	5.9	19, 30
184T			EM7172T	②	T3C	2,339	L1	17.56	130	88.5	230/460	6.3	19, 30	
1800		184T	EM7044T	②	T3C	1,883	L1	18.12	101	89.5	230/460	6.7	19, 30	
		184T	EM7144T	②	T3C	1,896	L1	17.56	152	89.5	230/460	6.6	19, 30	
		184T	EM7144T-C	⑤	T4	1,981	L1	17.56	146	89.5	230/460	6.6	19, 30	
		215	EM7030	②	T3C	2,259	L1	18.94	193	89.5	230/460	6.7	30	
		215	M7030	②	T3C	2,508	L1	18.06	193	87.5	230/460	6.6	19, 30	
		215T	EM7040T	②	T3C	2,868	L1	22.32	170	89.5	230/460	7.3	19, 30	
7 1/2		3600	184T	EM7073T	①	T2C	2,289	L1	18.92	105	89.5	230/460	8.4	30
			213T	EM7045T	②	T3C	2,407	L1	19.57	166	89.5	230/460	9	19, 30
			213T	EM7145T	②	T3C	2,698	L1	19.90	154	89.5	230/460	9	19
		1800	213T	EM7047T	②	T3C	2,500	L1	20.32	161	91.7	230/460	9.4	19, 30
	213T		EM7147T	②	T3C	2,404	L1	19.90	225	91.7	230/460	9.5	19	
	213T		EM7147T-C	⑤	T4	2,477	L1	19.91	225	91.7	230/460	9.5	19	
1200	254T	EM7048T	②	T3C	3,396	L1	25.50	393	91	230/460	10.7	19, 30		

(a) See notes on inside back flap. ■ Cast Iron Frame Red Catalog Number indicates NEW Product.

① = Class I, Group D; ② = Class I, Group D, Class II, Group F & G; ⑤ = Class I, Group C & D, Class II, Group F & G

CAUTION: Explosion-proof motors have a tight fit between mating parts to ensure the integrity of the explosion-proof enclosure. This can lead to an accumulation of moisture inside the motors due to condensation. If internal condensation buildup is a concern for your XP motor application, select a motor that includes UL listed breather drain. These explosion-proof motors are not suitable for use with adjustable speed drives. Inverter duty explosion-proof motors must be used.

Explosion Proof, Single and Three Phase, Foot Mounted

Hp	RPM	NEMA Frame	Catalog Number	XP Cls/Grp	Temp Code	List Price	Mult. Sym.	"C" Dim.	Aprx. Wt. (lb)	Full Load Efficiency	Voltage	Full Load Amps	Notes (a)
10	3600	215T	EM7074T	①	T2C	2,713	L1	19.32	175	90.2	230/460	11.8	20
		215T	EM7174T	②	T3C	2,831	L1	19.90	235	90.2	230/460	11.8	
	1800	215T	EM7070T	②	T3C	2,793	L1	22.32	189	91.7	230/460	12	19, 30
		215T	EM7170T	②	T3C	3,308	L1	19.90	249	91.7	230/460	12.2	19
		215T	EM7170T-C	⑤	T3C	3,442	L1	19.91	249	91.7	230/460	12.2	19
1200	256T	EM7065T	②	T3C	4,083	L1	25.50	403	91	230/460	14.6	19, 30	
15	3600	254T	EM7053T	②	T3C	3,201	L1	25.50	341	91	230/460	17.5	19, 20, 30
	1800	254T	EM7054T	②	T3C	3,751	L1	25.50	370	92.4	230/460	18	19, 30
		254T	EM7054T-C	⑤	T4	3,843	L1	25.50	370	92.4	230/460	18	19, 30
1200	284T	EM7057T	②	T3C	6,581	L1	28.61	430	91.7	230/460	20	19	
20	3600	256T	EM7059T	②	T3C	4,105	L1	25.50	359	91	230/460	23	19, 20
		256T	EM7056T	②	T3C	4,860	L1	25.50	393	93	230/460	24	19, 30
	256T	EM7056T-C	⑤	T4	4,962	L1	25.50	393	93	230/460	24	19, 30	
	1200	286T	EM7079T	②	T3C	6,757	L1	28.61	494	91.7	230/460	27	19, 30
25	3600	284TS	EM7063T	②	T3C	5,463	L1	27.24	507	91.7	230/460	28.5	19, 20
		284T	EM7058T	②	T3C	5,896	L1	28.61	537	93.6	230/460	30.5	19, 30
	284T	EM7058T-C	⑤	T4	6,011	L1	28.61	537	93.6	230/460	30.5	19, 30	
	1200	324T	EM7082T	②	T3C	8,449	L1	32.00	741	93	230/460	32	19, 30
30	3600	286TS	EM7083T	②	T3C	6,421	L1	27.24	528	91.7	230/460	33	19, 20
		286T	EM7060T	②	T3C	7,188	L1	28.61	554	93.6	230/460	36	19, 20, 30
	286T	EM7060T-C	⑤	T4	7,307	L1	28.61	563	93.6	230/460	37	19, 30	
	1200	326T	EM7080T	②	T3C	9,321	L1	32.00	766	93	230/460	39	19, 30
40	3600	324TS	EM7067T	②	T3C	8,565	L1	30.50	630	92.4	230/460	46	19
		324T	EM7062T	②	T3C	9,633	L1	32.00	713	94.1	230/460	48	19
	324T	EM7062T-C	⑤	T4	9,763	L1	32.00	700	94.1	230/460	48	19	
	1200	364T	EM7084T	②	T3C	10,803	L1	33.44	915	94.1	230/460	47.2	19, 20, 30
50	3600	326TS	EM7081T	②	T3C	10,967	L1	30.50	745	93	230/460	56	19, 20, 30
		326T	EM7064T	②	T3C	11,182	L1	32.00	764	94.5	230/460	58	19
	326T	EM7064T-C	⑤	T4	11,336	L1	32.12	764	94.5	230/460	58	19	
	1200	365T	EM7085T	②	T4	12,193	L1	33.44	918	94.1	230/460	60.1	19, 20, 30
60	1800	364T	EM7066T	②	T4	12,508	L1	33.44	972	95	230/460	68	19, 20
		364T	EM7066T-C	⑤	T4	12,672	L1	33.44	910	95	230/460	68	19, 20
	1200	404T	EM7086T	②	T4	14,548	L1	38.31	1375	94.5	230/460	67.3	19, 20, 30
75	1800	365T	EM7068T	⑤	T4	15,134	L1	33.44	1156	95.4	230/460	84.1	19, 20, 30
	1200	405T	EM7087T	②	T4	16,276	L1	38.31	1428	94.5	230/460	84.2	19, 20, 30
100	1800	405T	EM7090T	⑤	T4	17,576	L1	38.31	1335	95.4	230/460	112	19, 20, 30
125	1800	444T	EM74124T-4	⑤	T4	20,539	L1	44.62	1900	95.4	460/380	139	19, 20
150	1800	447T	EM74154T-4	⑤	T4	22,954	L1	47.83	2455	95.8	460/380	164	19, 20
200	1800	449T	EM74204T-4	⑤	T4	32,808	L1	52.83	2993	96.2	460/380	216	19, 20
250	1800	449T	EM74254T-4	⑤	T4	39,370	L1	53.47	3027	96.2	460/380	270	19, 20
		447T	M74254T-4	⑤	T4	35,752	L1	47.83	2553	95	460/380	281	19, 20

(a) See notes on inside back flap.

① = Class I, Group D

② = Class I, Group D, Class II, Group F & G

⑤ = Class I, Group C & D, Class II, Group F & G

■ Cast Iron Frame

Red Catalog Number indicates **NEW** Product.

CAUTION: Explosion-proof motors have a tight fit between mating parts to ensure the integrity of the explosion-proof enclosure. This can lead to an accumulation of moisture inside the motors due to condensation. If internal condensation buildup is a concern for your XP motor application, select a motor that includes UL listed breather drain. These explosion-proof motors are not suitable for use with adjustable speed drives. Inverter duty explosion-proof motors must be used.

Explosion Proof, 575 Volt, Three Phase**1/2 thru 40 Hp****Features:**

- Robust steel and cast iron frame designs
- Auto thermal overload (<1 Hp), normally closed thermostats (>1 Hp)
- Threaded lead inlet
- Low noise vibration dampening bases

Applications:

- Customer specified Division 1 Hazardous Areas
- Pumps, fans and conveyors
- Fixed speed operation

Hp	RPM	NEMA Frame	Catalog Number	XP Cls/Grp	Temp Code	List Price	Mult. Sym.	"C" Dim.	Aprx. Wt. (lb)	Full Load Efficiency	Voltage	Full Load Amps	Notes (a)
Single Phase													
1/2	1800	56	M7006-5	②	T3C	719	K	14.30	34	78.5	575	0.7	15
3/4	1800	56	M7010-5	②	T3C	828	K	14.30	37	76	575	1.2	15
1	3600	56	EM7013-5	②	T3C	999	K	14.22	33	77	575	1.2	
		56	M7013-5	②	T3C	869	K	13.22	30	75.5	575	1.2	16
	1800	56	M7014-5	②	T3C	1,266	K	14.30	42	85.5	575	1.2	
		56	M7014-5	②	T3C	907	K	14.30	40	75.5	575	1.5	16
1 1/2	3600	143T	EM7014T-5	②	T3C	1,266	LS	14.36	42	85.5	575	1.2	
		143T	EM7018T-5	②	T3C	1,158	L1	14.36	45	84	575	1.5	
	1800	145T	EM7034T-5	②	T3C	1,311	LS	15.23	51	86.5	575	1.8	
2	3600	145T	EM7071T-5	②	T3C	1,186	L1	15.23	52	85.5	575	2	
	1800	145T	EM7037T-5	②	T3C	1,431	LS	15.23	54	86.5	575	2.3	
3	1800	182T	EM7042T-5	②	T3C	1,520	L1	17.42	84	89.5	575	3.3	
5	3600	184T	EM7072T-5	②	T3C	1,745	L1	18.12	85	88.5	575	4.7	
	1800	184T	EM7044T-5	②	T3C	1,883	L1	18.12	99	89.5	575	5.3	
7 1/2	1800	213T	EM7047T-5	②	T3C	2,500	L1	20.32	161	91.7	575	7.6	
10	1800	215T	EM7170T-5	②	T3C	3,525	L1	19.90	249	91.7	575	9.8	
15	1800	254T	EM7054T-5	②	T3C	3,751	LS	25.50	364	92.4	575	14.5	
20	1800	256T	EM7056T-5	②	T3C	4,860	LS	25.50	396	93	575	19.2	
25	1800	284T	EM7058T-5	②	T3C	5,896	LS	28.61	534	93.6	575	24.5	
30	1800	286T	EM7060T-5	②	T3C	7,188	L1	28.61	553	93.6	575	29	
40	1800	324T	EM7062T-5	②	T3C	9,633	LS	32.00	729	94.1	575	39	
Three Phase													
1/2	1800	56C	VM7006-5	②	T3C	936	K	14.30	37	78.5	575	0.7	15
3/4	1800	56C	VM7010-5	②	T3C	953	K	14.30	38	76	575	1.2	15
1	1800	56C	VM7014-5	②	T3C	1,333	K	14.30	42	85.5	575	1.2	
		56C	VM7014-5	②	T3C	1,001	K	14.30	39	75.5	575	1.5	16
		143TC	VM7014T-5	②	T3C	1,324	L1	14.33	44	85.5	575	1.2	
		143TC	VM7014T-5	②	T3C	1,080	L1	14.36	41	82.5	575	1.3	16
1 1/2	1800	145TC	VM7034T-5	②	T3C	1,443	L1	15.21	50	86.5	575	1.8	
		145TC	VM7034T-5	②	T3C	1,164	L1	15.23	47	84	575	1.9	16
2	1800	145TC	VM7037T-5	②	T3C	1,529	L1	15.21	54	86.5	575	2.3	
		145TC	VM7037T-5	②	T3C	1,259	L1	15.23	49	84	575	2.5	16
3	1800	182TC	VM7042T-5	②	T3C	1,727	L1	18.86	95	89.5	575	3.3	
		182TC	VM7042T-5	②	T3C	1,614	L1	18.86	90	87.5	575	3.4	16
5	1800	184TC	VM7044T-5	②	T3C	2,040	L1	20.36	110	89.5	575	5.3	
		184TC	VM7044T-5	②	T3C	1,966	L1	18.80	113	87.5	575	5.2	16
7 1/2	1800	213TC	VM7047T-5	②	T3C	2,631	L1	20.32	161	91.7	575	7.6	
		213TC	VM7047T-5	②	T3C	2,275	L1	19.19	157	89.5	575	8.1	16

(a) See notes on inside back flap.

② = Class I, Group D, Class II, Group F & G

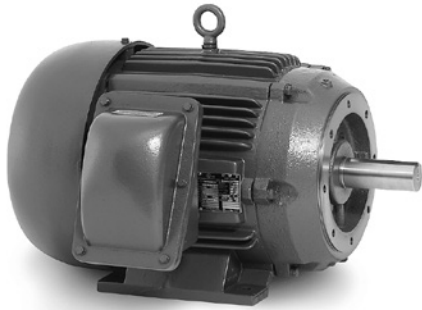
■ Cast Iron Frame

Red Catalog Number indicates **NEW** Product.

CAUTION: Explosion-proof motors have a tight fit between mating parts to ensure the integrity of the explosion-proof enclosure. This can lead to an accumulation of moisture inside the motors due to condensation. If internal condensation buildup is a concern for your XP motor application, select a motor that includes UL listed breather drain. These explosion-proof motors are not suitable for use with adjustable speed drives. Inverter duty explosion-proof motors must be used.

Explosion Proof, Single and Three Phase, C-Face

1/4 thru 50 Hp



Features:

- Robust steel and cast iron frame designs
- Auto thermal overload (<1 Hp), normally closed thermostats (>1 Hp)
- Threaded lead inlet
- Low noise vibration dampening bases

Applications:

- Customer specified Division 1 Hazardous Areas
- Pumps, blowers, valves, gearboxes
- Fixed speed operation

Hp	RPM	NEMA Frame	Catalog Number	XP Cls/Grp	Temp Code	List Price	Mult. Sym.	"C" Dim.	Aprx. Wt. (lb)	Full Load Efficiency	Voltage	Full Load Amps	Notes (a)
Single Phase, C-Face, Foot Mounted													
1/3	1800	56C	CL5001A	②	T3C	827	K	13.22	30	60	115/208-230	3	15
1/2	3600	56C	CL5003A	②	T3C	726	K	13.22	35	57	115/230	3.7	15
	1800	56C	CL5004A	②	T3C	828	K	14.22	36	64	115/208-230	3.7	15
3/4	1800	56C	CL5007A	②	T4	924	K	15.17	49	66	115/230	5.3	15
1	3600	56C	CL5009A	②	T4	824	K	15.17	50	66	115/230	6	
	1800	56C	CL5023A	①	T2C	1,049	K	15.17	49	67	115/230	6.5	
1 1/2	3600	143TC	CL5030T	②	T3C	1,291	L1	15.23	53	70	115/208-230	7.5	
	1800	184C	CL5013	②	T3C	2,095	L1	16.93	83	70	115/230	9.5	
2	3600	143TC	CL5031T	②	T3C	1,476	L1	16.10	60	74	115/208-230	11.5	
	1800	182TC	CL5027T	①	T2C	2,162	L1	18.86	99	75	115/230	11	
3	3600	184TC	CL5028T	①	T2C	2,187	L1	18.86	100	76	115/230	14.5	
	1800	215C	CL5018	①	T2C	3,355	L1	19.56	154	79	115/230	15	
5	1800	215C	CL5020	①	T2C	4,271	L1	20.69	170	84	230	21	
Single Phase, C-Face, Footless													
1/4	1800	56C	VL5000A	②	T3C	732	K	13.22	29	62	115/208-230	2.1	15
1/3	3600	56C	VL4005A	②	T3C	557	K	13.22	34	57	115/230	3.5	15
	1800	56C	VL5001A	②	T3C	748	K	13.22	34	60	115/208-230	3	15
	1200	56C	VL5002A	②	T4	1,002	K	14.30	42	54	115/230	3.4	15
1/2	3600	56C	VL5003A	②	T3C	721	K	13.22	28	57	115/230	3.7	15
	1800	56C	VL5004A	②	T3C	826	K	14.22	37	64	115/208-230	3.7	15
	1200	56C	VL5005A	②	T4	1,149	K	15.17	51	59	115/230	4	15
3/4	3600	56C	VL5006A	②	T4	771	K	14.30	40	62	115/230	4.9	15
	1800	56C	VL5007A	②	T4	920	K	15.17	48	66	115/230	5.3	15
1	3600	56C	VL5009A	②	T4	826	K	15.17	48	66	115/230	6	
	1800	56C	VL5023A	①	T2C	1,045	K	15.17	52	67	115/230	6.5	
1 1/2	3600	56C	VL5030	②	T3C	1,189	K	15.17	51	70	115/208-230	7.5	
	1800	56C	VL5024A	①	T2C	1,379	K	17.42	76	75	115/230	8	
2	1800	184C	VL5027	①	T2C	2,194	L1	18.43	90	75	115/208-230	11	
Three Phase, C-Face, Foot Mounted													
1/2	3600	56C	CM7005A	②	T3C	867	K	13.22	27	68	208-230/460	1.1	15
	1800	56C	CM7006A	②	T3C	938	K	13.22	30	74	208-230/460	1	15
3/4	3600	56C	CM7009A	②	T3C	895	K	13.22	29	75	208-230/460	1.3	15
	1800	56C	CM7010A	②	T3C	956	K	14.22	34	73	208-230/460	1.5	15
1	3600	56C	CEM7013	②	T3C	1097	K	14.22	32	77	230/460	1.4	19, 30
		56C	CM7013	②	T3C	936	K	13.22	31	75.5	208-230/460	1.8	16
	1800	56C	CEM7014	②	T3C	1342	K	14.30	42	85.5	230/460	1.5	19, 30
		56C	CM7014	②	T3C	1,020	K	14.30	40	75.5	208-230/460	1.8	16, 19
		143TC	CEM7014T	②	T3C	1,342	L1	14.36	45	85.5	230/460	1.5	19, 30
1 1/2	3600	143TC	CEM7018T	②	T3C	1,328	L1	14.36	45	84	230/460	1.9	19
		56C	CEM7034	②	T3C	1,453	K	15.17	50	86.5	230/460	2.2	19, 30
	1800	56C	CM7034	②	T3C	1,087	K	14.30	45	81.5	208-230/460	2.3	16, 19
		145TC	CEM7034T	②	T3C	1,453	L1	15.23	52	86.5	230/460	2.2	19, 30

(a) See notes on inside back flap. ■ Cast Iron Frame Red Catalog Number indicates **NEW** Product.

① = Class I, Group D ② = Class I, Group D, Class II, Group F & G

CAUTION: Explosion-proof motors have a tight fit between mating parts to ensure the integrity of the explosion-proof enclosure. This can lead to an accumulation of moisture inside the motors due to condensation. If internal condensation buildup is a concern for your XP motor application, select a motor that includes UL listed breather drain. These explosion-proof motors are not suitable for use with adjustable speed drives. Inverter duty explosion-proof motors must be used.

Explosion Proof, Single and Three Phase, C-Face

Hp	RPM	NEMA Frame	Catalog Number	XP Cls/Grp	Temp Code	List Price	Mult. Sym.	"C" Dim.	Aprx. Wt. (lb)	Full Load Efficiency	Voltage	Full Load Amps	Notes (a)
2	3600	145TC	CEM7071T	②	T3C	1,325	L1	15.23	53	85.5	230/460	2.4	19, 30
	1800	56C	CEM7037	②	T3C	1,539	K	15.17	55	86.5	230/460	2.9	19, 30
		56C	CEM7037	②	T3C	1,177	K	15.17	49	82.5	230/460	3	16, 19, 30
		145TC	CEM7037T	②	T3C	1,539	L1	16.10	56	86.5	230/460	2.9	19, 30
3	3600	145TC	CEM7075T	①	T3C	1,643	L1	16.10	61	86.5	230/460	3.6	30
	1800	182TC	CEM7042T	②	T3C	1,866	L1	18.86	97	89.5	230/460	4.2	19, 30
5	3600	184TC	CEM7072T	②	T3C	2,167	L1	18.86	101	88.5	230/460	5.9	19, 30
	1800	184TC	CEM7044T	②	T3C	2,256	L1	19.55	119	89.5	230/460	6.7	19, 30
7 1/2	3600	184TC	CEM7073T	①	T2C	2,544	L1	20.36	124	89.5	230/460	8.4	30
		213TC	CEM7045T	②	T3C	2,887	L1	20.33	166	89.5	230/460	9	19, 30
		1800	213TC	CEM7047T	②	T3C	2,646	L1	21.08	161	91.7	230/460	9.4
10	3600	215TC	CEM7174T	②	T3C	3,151	L1	20.65	235	90.2	230/460	11.8	19
	1800	215TC	CEM7170T	②	T3C	3,219	L1	20.65	249	91.7	230/460	12.2	19
15	3600	254TC	CEM7053T	②	T3C	3,419	L1	26.00	357	91	230/460	17.5	19, 20, 30
	1800	254TC	CEM7054T	②	T3C	5,324	L1	26.00	376	92.4	230/460	18	19, 30
20	3600	256TC	CEM7059T	②	T3C	5,458	L1	26.00	369	91	230/460	23	19, 20
	1800	256TC	CEM7056T	②	T3C	6,310	L1	26.00	376	93	230/460	24	19, 30
25	3600	284TSC	CEM7063T	②	T3C	7,197	L1	27.24	512	91.7	230/460	28.5	19, 20
	1800	284TC	CEM7058T	②	T3C	7,727	L1	28.61	647	93.6	230/460	30.5	19, 30
30	1800	286TC	CEM7060T	②	T3C	8,967	L1	28.61	552	93.6	230/460	36	19, 20, 30
40	1800	324TC	CEM7062T	②	T3C	11,961	L1	32.00	699	94.1	230/460	48	19
50	1800	326TC	CEM7064T	②	T3C	13,601	L1	32.00	746	94.5	230/460	58	19
Three Phase, C-Face, Footless													
1/4	1800	56C	VM7001A	②	T3C	871	K	13.22	25	63	208-230/460	0.7	
1/3	1800	56C	VM7002A	②	T3C	890	K	13.22	27	67	208-230/460	0.8	
1/2	3600	56C	VM7005A	②	T3C	861	K	13.22	26	68	208-230/460	1.1	
	1800	56C	VM7006A	②	T3C	936	K	13.22	29	74	208-230/460	1	
	1200	56C	VM7007A	②	T4	1,089	K	14.30	39	70	208-230/460	1.2	
3/4	3600	56C	VM7009A	②	T3C	890	K	13.22	28	75	208-230/460	1.3	
	1800	56C	VM7010A	②	T3C	953	K	14.22	33	73	208-230/460	1.5	
	1200	56C	VM7031A	②	T4	1,144	K	15.17	47	77	208-230/460	1.4	
1	3600	56C	CEM7013	②	T3C	1,140	K	14.22	32	77	230/460	1.4	19, 30
		56C	VM7013	②	T3C	927	K	13.22	30	75.5	208-230/460	1.8	16
	1800	56C	CEM7014	②	T3C	1,333	K	14.30	51	85.5	230/460	1.5	19, 30
		56C	VM7014	②	T3C	1,001	K	15.22	40	75.5	208-230/460	1.8	16
		143TC	CEM7014T	②	T3C	1,333	L1	14.33	51	85.5	230/460	1.5	19, 30
		143TC	VM7014T	②	T3C	1,080	L1	14.33	39	82.5	230/460	1.6	16, 19
		56C	CEM7032	②	T3C	1,541	K	15.17	49	82.5	230/460	1.8	19, 30
1200	56C	VM7032	②	T3C	1,205	K	14.30	44	78.5	230/460	1.9	16	
	3600	143TC	CEM7018T	②	T3C	1,319	L1	14.33	47	84	230/460	1.9	19, 30
1 1/2		3600	143TC	VM7018T	②	T3C	1,138	L1	14.33	45	82.5	230/460	2.1
	56C		CEM7034	②	T3C	1,444	K	15.17	50	86.5	230/460	2.2	19, 30
	1800	56C	VM7034	②	T3C	1,078	K	14.30	44	81.5	208-230/460	2.3	16, 19
		145TC	CEM7034T	②	T3C	1,444	L1	15.21	50	86.5	230/460	2.2	19, 30
		145TC	VM7034T	②	T3C	1,164	L1	15.21	46	84	230/460	2.4	16, 19
	1200	145TC	CEM7035T	②	T3C	1,649	L1	18.42	102	87.5	230/460	2.4	19, 30
		145TC	VM7035T	②	T3C	1,331	L1	17.48	72	85.5	208-230/460	2.7	16
2	3600	145TC	CEM7071T	②	T3C	1,451	L1	15.21	55	85.5	230/460	2.5	19, 30
		145TC	VM7071T	②	T3C	1,273	L1	15.21	52	84	230/460	2.6	16, 19, 30
	1800	56C	CEM7037	②	T3C	1,530	K	15.17	59	86.5	230/460	2.9	19, 30
		56C	VM7037	②	T3C	1,165	K	15.17	49	82.5	230/460	3	16, 19, 30
		145TC	CEM7037T	②	T3C	1,530	L1	15.21	59	86.5	230/460	2.9	19, 30
		145TC	VM7037T	②	T3C	1,259	L1	15.21	50	84	230/460	3.1	16, 19

(a) See notes on inside back flap.

① = Class I, Group D

② = Class I, Group D, Class II, Group F & G

■ Cast Iron Frame

Red Catalog Number indicates NEW Product.

CAUTION: Explosion-proof motors have a tight fit between mating parts to ensure the integrity of the explosion-proof enclosure. This can lead to an accumulation of moisture inside the motors due to condensation. If internal condensation buildup is a concern for your XP motor application, select a motor that includes UL listed breather drain. These explosion-proof motors are not suitable for use with adjustable speed drives. Inverter duty explosion-proof motors must be used.

Explosion Proof, Single and Three Phase, C-Face

Hp	RPM	NEMA Frame	Catalog Number	XP Cls/Grp	Temp Code	List Price	Mult. Sym.	"C" Dim.	Aprx. Wt. (lb)	Full Load Efficiency	Voltage	Full Load Amps	Notes (a)
3	3600	143TC	VEM7075T	②	T3C	1,634	L1	16.10	59	86.5	230/460	3.6	30
		143TC	VM7075T	②	T3C	1,412	L1	16.10	58	85.5	208-230/460	3.7	16
		182TC	VEM7026T	②	T3C	1,723	L1	17.49	80	86.5	230/460	3.7	19, 30
		182TC	VM7026T	②	T3C	1,489	L1	17.49	80	85.5	208-230/460	3.7	16, 19
	1800	182TC	VEM7042T	②	T3C	1,851	L1	18.86	108	89.5	230/460	4.2	19, 30
		182TC	VM7042T	②	T3C	1,614	L1	18.86	91	87.5	230/460	4.2	16, 19, 20
5	3600	184TC	VEM7072T	②	T3C	2,152	L1	18.06	93	88.5	230/460	5.9	19, 30
		184TC	VM7072T	②	T3C	1,883	L1	18.06	108	87.5	230/460	5.6	16, 19, 30
	1800	184TC	VEM7044T	②	T3C	2,241	L1	19.56	118	89.5	230/460	6.7	19, 30
		184TC	VM7044T	②	T3C	1,966	L1	18.06	103	87.5	230/460	6.8	16, 19, 30
7 1/2	3600	184TC	VEM7073T	②	T3C	2,529	L1	20.36	115	89.5	230/460	8.4	19, 30
		184TC	VM7073T	②	T3C	2,126	L1	20.36	110	88.5	230/460	8.7	16, 30
		213TC	VEM7045T	②	T3C	2,867	L1	19.19	149	89.5	230/460	9	19, 30
		213TC	VM7045T	②	T3C	2,475	L1	19.19	165	88.5	230/460	9.5	16, 19, 30
	1800	213TC	VEM7047T	②	T3C	2,631	L1	20.32	161	91.7	230/460	9.5	19, 30
		213TC	VM7047T	②	T3C	2,275	L1	19.19	157	89.5	230/460	10.1	16, 19
10	1800	215TC	VEM7170T	②	T3C	3,204	L1	20.65	249	91.7	230/460	12.2	19, 30
		215TC	VM7170T	②	T3C	2,760	L1	20.65	173	89.5	230/460	13	16, 19

(a) See notes on inside back flap. Cast Iron Frame
 Red Catalog Number indicates **NEW** Product.
 ② = Class I, Group D, Class II, Group F & G

CAUTION: Explosion-proof motors have a tight fit between mating parts to ensure the integrity of the explosion-proof enclosure. This can lead to an accumulation of moisture inside the motors due to condensation. If internal condensation buildup is a concern for your XP motor application, select a motor that includes UL listed breather drain. These explosion-proof motors are not suitable for use with adjustable speed drives. Inverter duty explosion-proof motors must be used.

Explosion Proof, Single and Three Phase, NEMA Frame, C-Face, Foot Mounted

1/3 thru 2 Hp



Features:

- 110/220V, 50 Hz power
- Steel band frame, cast iron endplates
- Auto thermal overload (<1 Hp), normally closed thermostats (>1 Hp)
- Threaded lead inlet

Applications:

- Customer specified Division 1 Hazardous Areas
- Pumps, blowers, valves, gearboxes
- Fixed speed operation

Hp	RPM 50 Hz	NEMA Frame	Catalog Number	XP Cls/Grp	Temp Code	List Price	Mult. Sym.	"C" Dim.	Aprx. Wt. (lb)	Full Load Efficiency	Voltage	Full Load Amps	Notes (a)
Single Phase - 50 Hz													
1/3	1500	56C	CL5001A-50	②	T3C	911	K	14.22	35	59.5	110/220	2.6	2, 15
1/2	1500	56C	CL5004A-50	②	T3C	912	K	15.22	45	62	110/220	3.6	2, 15
3/4	1500	56C	CL5007A-50	②	T4	1,061	K	15.17	52	70	110/220	4.8	2, 15
1	1500	56C	CL5023-50	①	T3C	1,122	K	16.05	56	68	110/220	6.2	2, 15
2	1500	182TC	CL5027T-50	①	T2C	2,485	L1	20.36	121	77	110/220	11.5	2, 15
Three Phase - 50 Hz													
1/2	1500	56C	CM7006-57	②	T3C	994	K	14.22	36	73	230/400	1	
3/4	1500	56C	CM7010-57	②	T3C	1,017	K	15.22	42	75.5	230/400	1.7	2
1	3000	56C	CM7013-57	②	T3C	1,028	K	14.22	34	78.5	230/400	1.7	
	1500	56C	CM7014-57	②	T3C	1,087	K	15.22	45	74	230/400	2	2
1 1/2	3000	143TC	CM7018T-57	②	T3C	1,169	L1	14.36	47	80	230/400	2.4	
	1500	143TC	CM7034T-57	②	T3C	1,198	L1	15.23	49	81.5	230/400	2.5	2
2	3000	145TC	CM7071T-57	②	T3C	1,209	L1	15.23	50	78.5	230/400	3.2	2
	1500	145TC	CM7037T-57	②	T3C	1,293	L1	16.10	59	84	230/400	3.4	2

(a) See notes on inside back flap.
 ① = Class I, Group D
 ② = Class I, Group D, Class II, Group F & G

CAUTION: Explosion-proof motors have a tight fit between mating parts to ensure the integrity of the explosion-proof enclosure. This can lead to an accumulation of moisture inside the motors due to condensation. If internal condensation buildup is a concern for your XP motor application, select a motor that includes UL listed breather drain. These explosion-proof motors are not suitable for use with adjustable speed drives. Inverter duty explosion-proof motors must be used.

**Explosion Proof, Severe Duty, Three Phase,
1.15 Service Factor****3 thru 150 Hp****Features:**

- Cast iron frame, endplates, conduit box and fan cover
- 1.15 SF, Class F insulation, 40°C ambient
- Suitable for 55°C ambient at 1.0 SF
- Group E, brass labyrinth shaft slingers
- Normally closed thermostats
- Threaded lead inlet
- UL breather drains

Applications:

- Customer specified Division 1 Hazardous Areas
- Chemical, Oil & Gas
- Pulp & Paper
- Wastewater
- Fixed speed operation

Hp	RPM	NEMA Frame	Catalog Number	XP Cls/Grp	Temp Code	List Price	Mult. Sym.	"C" Dim.	Aprx. Wt. (lb)	Full Load Efficiency	Voltage	Full Load Amps	Notes (a)
3	1800	182T	EM7542T-I	③	T3C	1,576	SD	17.59	143	89.5	230/460	4.1	
	1200	213T	EM7536T-I	③	T3C	2,264	SD	20.02	225	89.5	230/460	4.5	
5	3600	L184T	EM7572T-I	③	T3C	2,072	SD	17.59	156	89.5	230/460	5.5	
	1800	L184T	EM7544T-I	③	T3C	1,952	SD	17.59	160	89.5	230/460	6.6	
	1200	L215T	EM7540T-I	③	T3C	2,969	SD	20.02	217	89.5	230/460	7.1	
7 1/2	1800	213T	EM7547T-I	③	T3C	2,407	SD	20.02	225	91.7	230/460	9.5	35
	1200	254T	EM7548T-I	③	T3C	3,515	SD	25.81	321	91	230/460	10.7	30
	3600	215T	EM7574T-I	③	T3C	2,930	SD	20.02	212	90.2	230/460	11.8	
10	1800	L215T	EM7670T-I	③	T3C	3,250	SD	20.02	249	92.4	230/460	12.5	
	1200	256T	EM7565T-I	③	T3C	4,226	SD	24.57	395	91	230/460	12.5	
	3600	254T	EM7554T-I	③	T3C	3,897	SD	25.81	375	92.4	230/460	18.1	30
20	1800	256T	EM7559T-I	③	T3C	4,249	SD	24.57	394	91.7	230/460	22.3	
	1800	256T	EM7556T-I	③	T3C	4,879	SD	24.56	403	93	230/460	24	
25	1800	284T	EM7558T-I	③	T3C	6,124	SD	28.61	526	93.6	230/460	30	30
30	1800	286T	EM7560T-I	③	T3C	7,480	SD	27.44	499	93.6	230/460	36.1	
40	1800	324T	EM7562T-I	③	T3C	10,008	SD	32.00	737	94.1	230/460	47	
50	1800	326T	EM7564T-I	③	T3C	11,644	SD	30.45	818	94.5	230/460	58.8	
	1200	365T	EM7585T-I	③	T3C	12,619	SD	33.44	1038	94.1	230/460	60.1	
60	1800	364T	EM7566T-I	③	T3C	13,164	SD	33.44	1023	95	230/460	67.8	
75	1800	365T	EM7568T-I	③	T3C	13,703	SD	33.44	1072	95.4	230/460	84.1	
	1200	405T	EM7587T-I	③	T3C	16,847	SD	38.32	1368	95	230/460	86.9	
100	1800	405T	EM7590T-I	③	T3C	17,575	SD	38.32	1448	95.4	460	112	
	1200	444T	EM7599T-I	③	T3C	20,869	SD	44.62	1854	95	460	115	
125	1800	444T	EM7600T-I	③	T3C	21,217	SD	44.62	1881	95.8	460	139	
150	1800	445T	EM7596T-I	③	T3C	23,711	SD	44.62	2038	96.2	460	165	

(a) See notes on inside back flap.

■ Cast Iron Frame

③ = Class I, Group D, Class II, Group E, F & G

These motor include a UL Listed breather drain and expel internal condensation better than standard XP designs. Internal condensation is more frequently an issue in outdoor and exposed the environment installations that are not operated for extended periods. These explosion-proof motors are not suitable for use with adjustable speed drives. Inverter duty explosion-proof motors must be used.

Drill Rig Duty, Three Phase, 1.15 Service Factor

1/2 thru 200 Hp



Features:

- Robust steel and cast iron frame designs
- 1.15 SF, Class F insulation, 40°C ambient
- Suitable for 55°C ambient at 1.0 SF
- DE shaft slinger, UL breather drains
- Normally closed thermostats
- Threaded lead inlet
- IP55 enclosure, marked on nameplate

Applications:

- Customer specified Division 1 Hazardous Areas
- On and off shore drill rig service
- Bulk fuel terminals
- Transfer stations
- Fixed speed operation

Hp	RPM	NEMA Frame	Catalog Number	XP Cls/Grp	Temp Code	List Price	Mult. Sym.	"C" Dim.	Aprx. Wt. (lb)	Full Load Efficiency	Voltage	Full Load Amps	Notes (a)
Foot Mounted													
1	3600	143T	EM7013T-I	④	T3C	1,298	SD	14.12	51	77	230/460	1.4	19
		143T	EM7013T-I-5	④	T3C	1,298	SD	14.22	51	84	575	1.1	
	1800	143T	EM7014T-I	④	T3C	1,277	SD	14.22	55	85.5	230/460	1.5	19, 30
		143T	EM7014T-I-5	④	T3C	1,277	SD	14.22	55	85.5	575	1.2	
1 1/2	1200	145T	EM7032T-I	④	T3C	1,416	SD	15.09	62	82.5	230/460	1.8	19, 30
	3600	143T	EM7018T-I	④	T3C	1,288	SD	14.12	54	84	230/460	1.9	19
		1800	145T	EM7034T-I	④	T3C	1,323	SD	15.09	61	86.5	230/460	2.2
2	3600	182T	EM7020T-I	④	T3C	1,949	SD	18.27	108	87.5	230/460	2.4	19, 30
		145T	EM7071T-I	④	T3C	1,408	SD	15.09	62	85.5	230/460	2.5	19, 30
	145T	EM7071T-I-5	④	T3C	1,408	SD	15.09	62	85.5	575	2		
3	1800	145T	EM7037T-I	④	T3C	1,442	SD	15.97	65	86.5	230/460	2.9	19, 30
		145T	EM7037T-I-5	④	T3C	1,442	SD	15.09	65	86.5	575	2.3	
	1200	184T	EM7041T-I	④	T3C	2,008	SD	19.52	119	88.5	230/460	3.5	19
5	3600	182T	EM7026T-I	④	T3C	1,613	SD	16.77	91	86.5	230/460	3.7	19, 30
		182T	EM7026T-I-5	④	T3C	1,613	SD	18.27	91	87.5	575	2.7	
	1800	182T	EM7042T-I	④	T3C	1,521	SD	18.27	107	89.5	230/460	4.2	19, 30
		182T	EM7042T-I-5	④	T3C	1,521	SD	18.27	106	89.5	575	3.3	
7 1/2	1200	213T	EM7036T-I	④	T3C	2,188	SD	20.32	185	89.5	230/460	4.6	19, 30
		184T	EM7072T-I	④	T3C	2,003	SD	18.27	110	90.2	230/460	5.6	19
	3600	184T	EM7072T-I-5	④	T3C	2,003	SD	18.27	109	89.5	575	4.5	
		184T	EM7044T-I	④	T3C	1,886	SD	19.52	122	89.5	230/460	6.5	19, 30
10	1800	184T	EM7044T-I-5	④	T3C	1,886	SD	19.52	126	89.5	575	5.2	
		215T	EM7040T-I	④	T3C	2,868	SD	22.32	170	89.5	230/460	7.3	19, 30
	3600	213T	EM7045T-I	④	T3C	2,407	SD	19.57	166	89.5	230/460	9	19
		213T	EM7045T-I-5	④	T3C	2,407	SD	19.57	166	89.5	575	7	
15	1800	213T	EM7047T-I	④	T3C	2,325	SD	20.32	161	91.7	230/460	9.5	19, 30
		213T	EM7047T-I-5	④	T3C	2,325	SD	20.32	161	91.7	575	7.6	
	3600	254T	EM7048T-I	④	T3C	3,396	SD	25.50	389	91	230/460	11	19, 30
		215T	EM7174T-I	④	T3C	2,831	SD	20.03	235	90.2	230/460	11.8	19
20	1800	215T	EM7174T-I-5	④	T3C	2,831	SD	20.03	235	90.2	575	9.3	
		215T	EM7170T-I	④	T3C	3,138	SD	20.03	252	92.4	230/460	12.3	19
	3600	215T	EM7170T-I-5	④	T3C	3,138	SD	20.03	252	92.4	575	10.1	
		256T	EM7065T-I	④	T3C	4,083	SD	25.50	400	91	230/460	15	19, 30
25	1800	254T	EM7053T-I	④	T3C	3,201	SD	25.50	352	91	230/460	17.2	19
		254T	EM7053T-I-5	④	T3C	3,201	SD	25.50	352	91	575	13.7	
	3600	254T	EM7054T-I	④	T3C	3,766	SD	25.50	373	92.4	230/460	18.1	19, 30
		254T	EM7054T-I-5	④	T3C	3,766	SD	25.50	374	92.4	575	14.5	
30	1200	284T	EM7057T-I	④	T3C	6,581	SD	28.61	529	91.7	230/460	20	19

(a) See notes on inside back flap.

④ = Class I, Group C & D

■ Cast Iron Frame

These motor include a UL Listed breather drain and expel internal condensation better than standard XP designs. Internal condensation is more frequently an issue in outdoor and exposed the environment installations that are not operated for extended periods. These explosion-proof motors are not suitable for use with adjustable speed drives. Inverter duty explosion-proof motors must be used.

Drill Rig Duty, Three Phase, 1.15 Service Factor

Hp	RPM	NEMA Frame	Catalog Number	XP Cls/Grp	Temp Code	List Price	Mult. Sym.	"C" Dim.	Aprx. Wt. (lb)	Full Load Efficiency	Voltage	Full Load Amps	Notes (a)
20	3600	256T	EM7059T-I	④	T3C	4,105	SD	25.50	409	91	230/460	22	19, 30
		256T	EM7059T-I-5	④	T3C	4,105	SD	25.50	409	91	575	17.5	
	1800	256T	EM7056T-I	④	T3C	4,714	SD	25.50	399	93	230/460	24	19, 30
		256T	EM7056T-I-5	④	T3C	4,714	SD	25.50	397	93	575	19.2	
	1200	286T	EM7079T-I	④	T3C	6,757	SD	28.61	558	91.7	230/460	25	19, 30
25	3600	284TS	EM7063T-I	④	T3C	5,463	SD	27.23	552	91.7	230/460	28.5	19
		284TS	EM7063T-I-5	④	T3C	5,463	SD	27.23	552	91.7	575	23	
	1800	284T	EM7058T-I	④	T3C	5,918	SD	28.61	538	93.6	230/460	30.5	19, 30
		284T	EM7058T-I-5	④	T3C	5,918	SD	28.61	559	93.6	575	24.5	
	1200	324T	EM7082T-I	④	T3C	8,449	SD	32.00	762	93	230/460	32	19, 30
30	3600	286TS	EM7083T-I	④	T3C	6,421	SD	27.23	565	91.7	230/460	33	19
		286TS	EM7083T-I-5	④	T3C	6,421	SD	27.23	565	91.7	575	26	
	1800	286T	EM7060T-I	④	T3C	7,216	SD	28.61	579	93.6	230/460	36	19, 30
		286T	EM7060T-I-5	④	T3C	7,216	SD	28.61	573	93.6	575	29	
	1200	326T	EM7080T-I	④	T3C	9,321	SD	32.00	782	93	230/460	39	19, 30
40	3600	324TS	EM7067T-I	④	T3C	8,565	SD	30.50	684	92.4	230/460	45	19
		324TS	EM7067T-I-5	④	T3C	8,565	SD	30.50	684	92.4	575	36	
	1800	324T	EM7062T-I	④	T3C	9,670	SD	32.00	750	94.1	230/460	48	19
		324T	EM7062T-I-5	④	T3C	9,670	SD	32.00	745	94.1	575	39	
	1200	364T	EM7084T-I	④	T3C	10,803	SD	33.44	1026	94.1	230/460	47.2	19, 30
50	3600	326TS	EM7081T-I	④	T3C	10,967	SD	30.50	740	93	230/460	56	19, 30
		326TS	EM7081T-I-5	④	T3C	10,967	SD	30.50	740	93	575	45	
	1800	326T	EM7064T-I	④	T3C	11,249	SD	32.00	850	94.5	230/460	59	19, 30
		326T	EM7064T-I-5	④	T3C	11,249	SD	32.00	841	94.5	575	47	
	1200	365T	EM7085T-I	④	T3C	12,193	SD	33.44	1003	94.1	230/460	60.1	19, 30
60	3600	364TS	EM7310T-I	④	T3C	11,779	SD	31.31	984	93.6	230/460	67.3	19, 30
		364T	EM7066T-I	④	T3C	12,719	SD	33.44	1030	95	230/460	67.8	19, 30
	1800	364T	EM7066T-I-5	④	T3C	12,719	SD	33.44	1015	95	575	54.2	
		404T	EM7086T-I	④	T3C	14,246	SD	38.32	1418	94.5	230/460	67.3	19, 30
75	3600	365TS	EM7313T-I	④	T3C	13,254	SD	31.31	993	93.6	230/460	83.4	19, 30
		365T	EM7068T-I	④	T3C	13,240	SD	33.44	1055	95.4	230/460	84.1	19, 30
	1800	365T	EM7068T-I-5	④	T3C	13,240	SD	33.44	1064	95.4	575	67.2	
		405T	EM7087T-I	④	T3C	16,276	SD	38.32	1411	94.5	230/460	84.2	19, 30
100	1800	405T	EM7090T-I	④	T3C	16,981	SD	38.32	1437	95.4	230/460	112	19, 30
		405T	EM7090T-I-5	④	T3C	16,981	SD	38.32	1446	95.4	575	89.6	
	1200	444T	EM7088T-I	④	T3C	19,008	SD	44.62	1866	95	230/460	115	19
		444T	EM74124T-I-4	④	T3C	19,841	SD	44.62	1900	95.4	460	144	19
125	1200	447T	EM7089T-I-4	④	T3C	21,243	SD	47.83	2411	95	460	146	19
	1800	447T	EM74154T-I-4	④	T3C	22,174	SD	47.83	2455	95.8	460	169	19
200	1800	449T	EM74204T-I-4	④	T3C	31,693	SD	52.83	2993	96.2	460	223	19

C-Face, Foot Mounted

1/2	1800	56C	CM7006-I	④	T3C	938	SD	13.14	52	80	230/460	0.8	15, 19, 30, 60
3/4	1800	56C	CM7010-I	④	T3C	956	SD	14.28	50	78.5	230/460	1.4	15, 19
1	3600	143TC	CEM7013T-I	④	T3C	1,376	SD	14.36	41	77	230/460	1.4	19
		143TC	CEM7013T-I-5	④	T3C	1,376	SD	14.36	41	84	575	1.1	
	1800	56C	CM7014-I	④	T3C	1,020	SD	14.28	52	82.5	230/460	1.6	19
		143TC	CEM7014T-I	④	T3C	1,375	SD	14.36	51	85.5	230/460	1.5	19
		143TC	CEM7014T-I-5	④	T3C	1,375	SD	14.36	51	85.5	575	1.2	
1 1/2	1200	145TC	CEM7032T-I	④	T3C	1,514	SD	15.23	49	82.5	230/460	1.8	19, 30
		3600	143TC	CEM7018T-I	④	T3C	1,386	SD	14.36	47	84	230/460	1.9
	1800	145TC	CEM7034T-I	④	T3C	1,563	SD	15.23	61	86.5	230/460	2.2	19, 30
		1200	182TC	CEM7020T-I	④	T3C	2,264	SD	19.59	102	87.5	230/460	2.4
2	3600	145TC	CEM7071T-I	④	T3C	1,506	SD	15.23	55	85.5	230/460	2.5	19, 30
		145TC	CEM7071T-I-5	④	T3C	1,506	SD	15.23	55	85.5	575	2	
	1800	145TC	CEM7037T-I	④	T3C	1,657	SD	16.10	66	86.5	230/460	2.9	19, 30
		145TC	CEM7037T-I-5	④	T3C	1,657	SD	16.10	76	88.5	575	2.2	
	1200	184TC	CEM7041T-I	④	T3C	2,323	SD	20.84	105	88.5	230/460	3.5	19

(a) See notes on inside back flap. Cast Iron Frame

④ = Class I, Group C & D

These motor include a UL Listed breather drain and expel internal condensation better than standard XP designs. Internal condensation is more frequently an issue in outdoor and exposed the environment installations that are not operated for extended periods. These explosion-proof motors are not suitable for use with adjustable speed drives. Inverter duty explosion-proof motors must be used.

Drill Rig Duty, Three Phase, 1.15 Service Factor

Hp	RPM	NEMA Frame	Catalog Number	XP Cls/Grp	Temp Code	List Price	Mult. Sym.	"C" Dim.	Aprx. Wt. (lb)	Full Load Efficiency	Voltage	Full Load Amps	Notes (a)
3	3600	182TC	CEM7026T-I	④	T3C	1,928	SD	18.09	80	86.5	230/460	3.7	19, 30
		182TC	CEM7026T-I-5	④	T3C	1,928	SD	18.09	80	86.5	575	2.9	
	1800	182TC	CEM7042T-I	④	T3C	1,866	SD	19.59	117	89.5	230/460	4.2	19, 30
		182TC	CEM7042T-I-5	④	T3C	1,866	SD	19.59	108	89.5	575	3.3	
	1200	213TC	CEM7036T-I	④	T3C	2,529	SD	21.07	175	89.5	230/460	4.6	19, 30
5	3600	184TC	CEM7072T-I	④	T3C	2,318	SD	19.59	91	90.2	230/460	5.6	19
		184TC	CEM7072T-I-5	④	T3C	2,318	SD	19.59	91	88.5	575	4.8	
	1800	184TC	CEM7044T-I	④	T3C	2,256	SD	20.84	136	89.5	230/460	6.5	19, 30
		184TC	CEM7044T-I-5	④	T3C	2,256	SD	20.84	136	89.5	575	5.2	
	1200	215TC	CEM7040T-I	④	T3C	3,209	SD	23.07	180	89.5	230/460	7.3	19, 30
7 1/2	3600	213TC	CEM7045T-I	④	T3C	2,748	SD	20.32	149	89.5	230/460	9	19
		213TC	CEM7045T-I-5	④	T3C	2,748	SD	20.32	149	89.5	575	7	
	1800	213TC	CEM7047T-I	④	T3C	2,646	SD	21.07	161	91.7	230/460	9.5	19, 30
		213TC	CEM7047T-I-5	④	T3C	2,646	SD	21.07	161	91.7	575	7.6	
	1200	254TC	CEM7048T-I	④	T3C	4,749	SD	26.00	393	91	230/460	11	19, 30
10	3600	215TC	CEM7174T-I	④	T3C	3,172	SD	20.78	212	90.2	230/460	11.8	19
		215TC	CEM7174T-I-5	④	T3C	3,172	SD	20.78	212	90.2	575	9.3	
	1800	215TC	CEM7170T-I	④	T3C	3,219	SD	20.78	252	92.4	230/460	12.3	19
		215TC	CEM7170T-I-5	④	T3C	3,219	SD	20.78	252	92.4	575	10.1	
	1200	256TC	CEM7065T-I	④	T3C	5,436	SD	26.00	412	91	230/460	15	19, 30
15	3600	254TC	CEM7053T-I	④	T3C	4,554	SD	26.00	349	91	230/460	17.2	19
		254TC	CEM7053T-I-5	④	T3C	4,554	SD	26.00	359	91	575	13.7	
	1800	254TC	CEM7054T-I	④	T3C	5,324	SD	26.00	383	92.4	230/460	18.1	19, 30
		254TC	CEM7054T-I-5	④	T3C	5,324	SD	26.00	374	92.4	575	14.5	
	1200	284TC	CEM7057T-I	④	T3C	8,317	SD	28.61	552	91.7	230/460	20	19
20	3600	256TC	CEM7059T-I	④	T3C	5,458	SD	26.00	413	91	230/460	22	19, 30
		256TC	CEM7059T-I-5	④	T3C	5,458	SD	26.00	409	91	575	17.5	
	1800	256TC	CEM7056T-I	④	T3C	6,310	SD	26.00	409	93	230/460	24	19, 30
		256TC	CEM7056T-I-5	④	T3C	6,310	SD	26.00	393	93	575	19.2	
	1200	286TC	CEM7079T-I	④	T3C	8,493	SD	28.61	566	91.7	230/460	25	19, 30
25	3600	284TSC	CEM7063T-I	④	T3C	7,199	SD	27.23	560	91.7	230/460	28.5	19
		284TSC	CEM7063T-I-5	④	T3C	7,199	SD	27.23	560	91.7	575	23	
	1800	284TC	CEM7058T-I	④	T3C	7,727	SD	28.61	563	93.6	230/460	30.5	19, 30
		284TC	CEM7058T-I-5	④	T3C	7,727	SD	28.61	559	93.6	575	24.5	
	1200	324TC	CEM7082T-I	④	T3C	10,850	SD	32.00	741	93	230/460	32	19, 30
30	3600	286TSC	CEM7083T-I	④	T3C	8,157	SD	27.23	495	91.7	230/460	33	19
		286TSC	CEM7083T-I-5	④	T3C	8,157	SD	27.23	495	91.7	575	26	
	1800	286TC	CEM7060T-I	④	T3C	8,967	SD	28.61	572	93.6	230/460	36	19, 30
		286TC	CEM7060T-I-5	④	T3C	8,967	SD	28.61	573	93.6	575	29	
	1200	326TC	CEM7080T-I	④	T3C	11,722	SD	32.00	766	93	230/460	39	19, 30
40	3600	324TSC	CEM7067T-I	④	T3C	10,966	SD	30.50	750	92.4	230/460	45	19
		324TSC	CEM7067T-I-5	④	T3C	10,966	SD	30.50	751	92.4	575	36	
	1800	324TC	CEM7062T-I	④	T3C	11,961	SD	32.00	721	94.1	230/460	48	19
		324TC	CEM7062T-I-5	④	T3C	11,961	SD	32.00	720	94.1	575	39	
	1200	364TC	CEM7084T-I	④	T3C	13,472	SD	33.44	886	94.1	230/460	47.2	19, 30
50	3600	326TSC	CEM7081T-I	④	T3C	13,368	SD	30.50	766	93	230/460	56	19, 30
		326TSC	CEM7081T-I-5	④	T3C	13,368	SD	30.50	766	93	575	45	
	1800	326TC	CEM7064T-I	④	T3C	13,601	SD	32.00	771	94.5	230/460	59	19, 30
		326TC	CEM7064T-I-5	④	T3C	13,601	SD	32.00	800	94.5	575	47	
60	1800	364TC	CEM7066T-I	④	T3C	15,388	SD	33.44	910	95	230/460	67.8	19, 30
75	1800	365TC	CEM7068T-I	④	T3C	15,909	SD	33.44	977	95.4	230/460	84.1	19, 30
100	1800	405TC	CEM7090T-I	④	T3C	19,650	SD	38.31	1375	95.4	230/460	112	19, 30

(a) See notes on inside back flap.

④ = Class I, Group C & D

■ Cast Iron Frame

These motor include a UL Listed breather drain and expel internal condensation better than standard XP designs. Internal condensation is more frequently an issue in outdoor and exposed the environment installations that are not operated for extended periods. These explosion-proof motors are not suitable for use with adjustable speed drives. Inverter duty explosion-proof motors must be used.

Drill Rig Duty, Three Phase, 1.15 Service Factor

Hp	RPM	NEMA Frame	Catalog Number	XP Cls/Grp	Temp Code	List Price	Mult. Sym.	"C" Dim.	Aprx. Wt. (lb)	Full Load Efficiency	Voltage	Full Load Amps	Notes (a)
C-Face, Footless													
1/2	1800	56C	VM7006-I	④	T3C	858	SD	13.14	51	80	230/460	0.8	19, 30, 60
3/4	1800	56C	VM7010-I	④	T3C	953	SD	14.31	48	78.5	230/460	1.4	19
1	1800	56C	VM7014-I	④	T3C	1,366	SD	14.31	52	85.5	230/460	1.5	19, 30
		56C	VM7014-I	④	T3C	1,001	SD	14.31	51	82.5	230/460	1.6	19
		143TC	VM7014T-I	④	T3C	1,366	SD	14.36	52	85.5	230/460	1.5	19, 30
		143TC	VM7014T-I	④	T3C	1,080	SD	14.36	51	82.5	230/460	1.6	19
1 1/2	1800	56C	VM7034-I	④	T3C	1,554	SD	15.17	56	86.5	230/460	2.2	19, 30
		56C	VM7034-I	④	T3C	1,078	SD	15.17	55	84	230/460	2.4	19
		145TC	VM7034T-I	④	T3C	1,554	SD	15.23	59	86.5	230/460	2.2	19, 30
		145TC	VM7034T-I	④	T3C	1,164	SD	15.23	58	84	230/460	2.4	19
2	1800	145TC	VM7037T-I	④	T3C	1,648	SD	16.10	62	86.5	230/460	2.9	19, 30
		145TC	VM7037T-I	④	T3C	1,259	SD	15.23	60	84	230/460	3.1	19
3	1800	182TC	VM7042T-I	④	T3C	1,851	SD	19.59	108	89.5	230/460	4.2	19, 30
		182TC	VM7042T-I	④	T3C	1,614	SD	19.59	106	87.5	230/460	4.1	19
5	1800	184TC	VM7044T-I	④	T3C	2,241	SD	20.84	122	89.5	230/460	6.5	19, 30
		184TC	VM7044T-I	④	T3C	1,966	SD	19.59	120	87.5	230/460	6.7	19
7 1/2	1800	213TC	VM7047T-I	④	T3C	2,626	SD	21.06	170	91.7	230/460	9.5	19, 30
		213TC	VM7047T-I	④	T3C	2,275	SD	21.07	165	89.5	230/460	10.2	19, 30
10	1800	215TC	VM7170T-I	④	T3C	3,199	SD	20.77	252	92.4	230/460	12.3	19, 30
		215TC	VM7170T-I	④	T3C	2,760	SD	20.77	230	89.5	230/460	12.7	19, 30
15	1800	254TC	VM7054T-I	④	T3C	4,609	SD	26.00	374	92.4	230/460	18	19, 30
20	1800	256TC	VM7056T-I	④	T3C	5,467	SD	26.00	393	93	230/460	24	19, 30
25	1800	284TC	VM7058T-I	④	T3C	6,688	SD	28.67	560	93.6	230/460	30.5	19, 30
30	1800	286TC	VM7060T-I	④	T3C	7,767	SD	28.67	572	93.6	230/460	36	19, 30
40	1800	324TC	VM7062T-I	④	T3C	10,349	SD	32.00	721	94.1	230/460	48	19
50	1800	326TC	VM7064T-I	④	T3C	11,776	SD	32.00	771	94.5	230/460	59	19, 30

(a) See notes on inside back flap.

④ = Class I, Group C & D

■ Cast Iron Frame Red Catalog Number indicates NEW Product.

These motor include a UL Listed breather drain and expel internal condensation better than standard XP designs. Internal condensation is more frequently an issue in outdoor and exposed the environment installations that are not operated for extended periods. These explosion-proof motors are not suitable for use with adjustable speed drives. Inverter duty explosion-proof motors must be used.

Drill Rig Duty, Single Phase, C-Face, 1.15 Service Factor, Foot Mounted

1/3 thru 1 Hp



Features:

- Steel band frame, cast iron endplates and conduit box
- 1.15 SF, Class F insulation, 40°C ambient
- Suitable for 55°C ambient at 1.0 SF
- DE shaft slinger, UL breather drains
- Normally closed thermostats
- Threaded lead inlet
- IP55 enclosure, marked on nameplate

Applications:

- Customer specified Division 1 Hazardous Areas
- Chemical, Oil & Gas
- Fixed speed operation

Hp	RPM	NEMA Frame	Catalog Number	XP Cls/Grp	Temp Code	List Price	Mult. Sym.	"C" Dim.	Aprx. Wt. (lb)	Full Load Efficiency	Voltage	Full Load Amps	Notes (a)
1/3	1800	56C	CL5001-I	④	T3C	911	K	14.31	47	55	115/208-230	3.3	
1/2	1800	56C	CL5004-I	④	T3C	912	K	14.31	53	68	115/208-230	3.7	
3/4	1800	56C	CL5007-I	④	T3C	974	K	15.17	60	68	115/208-230	5.3	
1	1800	56C	CL5023-I	④	T3C	1,049	K	16.05	66	68	115/230	6	30

(a) See notes on inside back flap. ④ = Class I, Group C & D

These motor include a UL Listed breather drain and expel internal condensation better than standard XP designs. Internal condensation is more frequently an issue in outdoor and exposed the environment installations that are not operated for extended periods. These explosion-proof motors are not suitable for use with adjustable speed drives. Inverter duty explosion-proof motors must be used.

Drill Rig Duty, Close Coupled Pump, 230/460 & 575 Volts

3 thru 10 Hp



Features:

- Cast iron frame, endplates, conduit box and fan cover
- 1.15 SF, Class F insulation, 40°C ambient
- Suitable for 55°C ambient at 1.0 SF
- DE shaft slinger, UL breather drains
- Normally closed thermostats
- Threaded lead inlet
- IP55 enclosure, marked on nameplate

Applications:

- Customer specified Division 1 Hazardous Areas
- Chemical, Oil & Gas industrial pumps
- Fixed speed operation

Hp	RPM	NEMA Frame	Catalog Number	XP Cls/Grp	Temp Code	List Price	Mult. Sym.	"C" Dim.	Aprx. Wt. (lb)	Full Load Efficiency	Voltage	Full Load Amps	Notes (a)
230/460 Volts													
3	1800	182JP	EJPM7142T-I	④	T3C	2,112	L1	22.09	127	89.5	230/460	4.1	1, 19, 30
5	1800	184JP	EJPM7144T-I	④	T3C	2,472	L1	22.09	152	89.5	230/460	6.6	1, 19, 30
7 1/2	1800	213TCZ	EJPM71147T-I	④	T3C	2,804	L1	25.65	225	91.7	230/460	9.5	1, 19, 97
10	1800	215TCZ	EJPM71170T-I	④	T3C	3,473	L1	25.65	252	92.4	230/460	12.3	19, 97
575 Volts													
3	1800	182JP	EJPM7142T-I-5	④	T3C	2,112	L1	22.09	127	89.5	575	3.3	1, 30
5	1800	184JP	EJPM7144T-I-5	④	T3C	2,472	L1	22.09	152	89.5	575	5.3	1, 30
7 1/2	1800	213TCZ	EJPM71147T-I-5	④	T3C	2,804	L1	25.65	228	91.7	575	7.5	1, 97
10	1800	215TCZ	EJPM71170T-I-5	④	T3C	3,473	L1	25.65	252	92.4	575	10.1	97

(a) See notes on inside back flap. ④ = Class I, Group C & D █ Cast Iron Frame Red Catalog Number indicates **NEW** Product.

These motor include a UL Listed breather drain and expel internal condensation better than standard XP designs. Internal condensation is more frequently an issue in outdoor and exposed the environment installations that are not operated for extended periods. These explosion-proof motors are not suitable for use with adjustable speed drives. Inverter duty explosion-proof motors must be used.

Explosion Proof, Jet Pump, Footless

1/2 thru 2 Hp



Features:

- NEMA 56J jet pump mounting
- Steel band frame, cast iron endplates
- Oversized ball bearings, locked DE
- Auto thermal overload (< 1 Hp), normally closed thermostats (>1 Hp)
- Threaded lead inlet

Applications:

- Customer specified Division 1 Hazardous Areas
- Wastewater
- Industrial pumps
- Fixed speed operation

Hp	RPM	NEMA Frame	Catalog Number	XP Cls/Grp	Temp Code	List Price	Mult. Sym.	"C" Dim.	Aprx. Wt. (lb)	Full Load Efficiency	Voltage	Full Load Amps	Notes (a)
Single Phase													
1/2	3600	56J	JL5003A	②	T4	691	K	14.79	37	55	115/230	3.9	15
3/4	3600	56J	JL5006A	②	T4	773	K	15.68	37	62	115/230	4.9	15
1	3600	56J	JL5009A	②	T4	828	K	15.68	49	66	115/230	6	15
1 1/2	3600	56J	JL5030	②	T3C	1,065	K	15.68	52	70	115/208-230	7.5	15
2	3600	56J	JL5031	②	T3C	1,157	K	16.56	60	74	115/208-230	11.5	15
Three Phase													
1	3600	56J	EJM7013	②	T3C	1,056	K	32	77	77	230/460	1.4	30
		56J	JM7013	②	T3C	918	K	13.72	30	75.5	230/460	1.8	16, 30
1 1/2	3600	56J	EJM7018	②	T3C	1,076	K	14.79	47	84	230/460	1.9	30
		56J	JM7018	②	T3C	936	K	14.79	41	75.5	208-230/460	2.3	16
2	3600	56J	EJM7071	②	T3C	1,127	K	15.67	55	85.5	230/460	2.5	30
		56J	JM7071	②	T3C	980	K	15.67	48	78.5	208-230/460	2.7	16

(a) See notes on inside back flap. ② = Class I, Group D, Class II, Group F & G Red Catalog Number indicates **NEW** Product.

CAUTION: Explosion-proof motors have a tight fit between mating parts to ensure the integrity of the explosion-proof enclosure. This can lead to an accumulation of moisture inside the motors due to condensation. If internal condensation buildup is a concern for your XP motor application, select a motor that includes UL listed breather drain. These explosion-proof motors are not suitable for use with adjustable speed drives. Inverter duty explosion-proof motors must be used.

Explosion Proof, Close-Coupled Pump, Three Phase

3 thru 10 Hp



Features:

- NEMA JM pump mounting
- Steel band frame, cast iron endplates
- Oversized ball bearings, locked DE
- Normally closed thermostats
- Threaded lead inlet

Applications:

- Customer specified Division 1 Hazardous Areas
- Wastewater
- Industrial pumps
- Fixed speed operation

Hp	RPM	NEMA Frame	Catalog Number	XP Cls/Grp	Temp Code	List Price	Mult. Sym.	"C" Dim.	Aprx. Wt. (lb)	Full Load Efficiency	Voltage	Full Load Amps	Notes (a)
3	3600	145JM	EJMM7075T	①	T3C	1,686	L1	18.67	72	86.5	230/460	3.6	30
		145JM	JMM7075T	①	T3C	1,466	L1	17.80	69	85.5	208-230/460	3.7	16
		182JM	EJMM7026T	①	T2C	1,895	L1	18.98	90	86.5	230/460	3.7	30
		182JM	JMM7026T	①	T2C	1,466	L1	18.98	88.5	85.5	208-230/460	3.7	16
5	3600	184JM	EJMM7072T	①	T2C	2,278	L1	20.36	112	88.5	230/460	5.9	30
		184JM	JMM7072T	①	T2C	1,981	L1	20.36	110	87.5	230/460	5.6	16
7 1/2	3600	184JM	EJMM7073T	①	T2C	2,561	L1	21.86	120	89.5	230/460	8.4	30
		184JM	JMM7073T	①	T2C	2,227	L1	21.86	118	88.5	230/460	8.7	16
		213JM	EJMM7045T	①	T2C	3,002	L1	20.05	170	89.5	230/460	9	30
		213JM	JMM7045T	①	T2C	2,610	L1	20.05	165	88.5	230/460	9.5	16
10	3600	215JM	EJMM7074T	①	T2C	3,399	L1	20.05	175	90.2	230/460	11.8	30
		215JM	JMM7074T	①	T2C	2,956	L1	20.05	165	90.2	230/460	12	16

(a) See notes on inside back flap. Red Catalog Number indicates NEW Product.

① = Class I, Group D

CAUTION: Explosion-proof motors have a tight fit between mating parts to ensure the integrity of the explosion-proof enclosure. This can lead to an accumulation of moisture inside the motors due to condensation. If internal condensation buildup is a concern for your XP motor application, select a motor that includes UL listed breather drain. These explosion-proof motors are not suitable for use with adjustable speed drives. Inverter duty explosion-proof motors must be used.

Explosion Proof, Brake Motor, Three Phase, C-Face

1/2 thru 5 Hp



Features:

- Spring set brake, power off operation manual brake release
- Brake resets automatically
- External, separately wired brake
- Normally closed thermostats
- Threaded lead inlet

Applications:

- Customer specified Division 1 Hazardous Areas
- Stopping and holding brake motor
- Fixed speed operation

Hp	RPM	NEMA Frame	Catalog Number	XP Cls/Grp	Temp Code	List Price	Mult. Sym.	"C" Dim.	Aprx. Wt. (lb)	Full Load Efficiency	Voltage	Full Load Amps	Brake Rating (b)	Notes (a)
1/2	1800	56C	CBM7006	②	T3C	3,306	K	19.44	95	80	230/460	0.8	3	30, 41, 60
3/4	1800	56C	CBM7010	①	T2C	3,682	K	19.13	93	78.5	230/460	1.4	6	2, 30, 41, 60
1	1800	143TC	CEBM7014T	②	T3C	4,881	L1	20.37	99	87.5	230/460	1.5	6	2, 30, 41, 60
		143TC	CBM7014T	②	T3C	4,244	L1	19.50	95	82.5	230/460	1.4	6	2, 16, 30, 41, 60
2	1800	182TC	CEBM7023T	②	T3C	5,908	L1	23.24	145	86.5	230/460	3	10	2, 41, 60
		182TC	CBM7023T	①	T2C	5,137	L1	23.24	137	84	230/460	2.9	10	2, 41, 60
3	1800	L182TC	CEBM7142T	②	T3C	6,217	L1	26.63	240	91.7	230/460	12	15	41
		215TC	CBM7027T	①	T2C	7,122	L1	27.29	215	84	230/460	4.3	15	2, 40, 60
5	1800	L184TC	CEBM7144T	②	T3C	7,489	L1	29.72	289	91.7	230/460	12	25	40

(a) See notes on inside back flap.

(b) Brake torque rating in lb.-ft.

■ Cast Iron Frame

① = Class I, Group D ② = Class I, Group D, Class II, Group F & G

Red Catalog Number indicates NEW Product.

CAUTION: Explosion-proof motors have a tight fit between mating parts to ensure the integrity of the explosion-proof enclosure. This can lead to an accumulation of moisture inside the motors due to condensation. If internal condensation buildup is a concern for your XP motor application, select a motor that includes UL listed breather drain. These explosion-proof motors are not suitable for use with adjustable speed drives, Inverter duty explosion-proof motors must be used.

Explosion Proof, Inverter Duty, Class I, Group D, Foot Mounted

20 thru 75 Hp



Features:

- Cast iron frame, endplates and conduit box
- Inverter Duty nameplate
- Normally closed thermostats
- Threaded lead inlet
- Low noise vibration dampening bases

Applications:

- Customer specified Division 1 Hazardous Areas
- Fixed speed and Inverter operation

Hp	Base Speed RPM	C.H. Speed RPM	NEMA Frame	Catalog Number	XP Cls/Grp	Temp Code	List Price	Mult. Sym.	"C" Dim.	Aprx. Wt. (lb)	Full Load Efficiency	Voltage	Full Load Amps	Notes (a)
2:1 Constant Torque, 10:1 Variable Torque Ratings														
25	1800	2700	284T	IDXM7058T	Ⓛ	T2B	6,190	L1	28.61	536	93.6	230/460	30.5	
30	1800	2700	286T	IDXM7060T	Ⓛ	T2B	7,550	L1	28.61	561	93.6	230/460	38	
40	1800	2700	324T	IDXM7062T	Ⓛ	T2B	10,113	L1	32.00	748	94.1	230/460	48	
50	1800	2700	326T	IDXM7064T	Ⓛ	T2B	11,765	L1	32.00	764	94.5	230/460	58	
60	1800	2700	364T	IDXM7066T	Ⓛ	T2B	13,433	L1	33.44	1024	95	230/460	68	
75	1800	2700	405T	IDXM7068T	Ⓛ	T2B	14,892	L1	38.22	1391	95	230/460	82	
10:1 Constant Torque and Variable Torque Ratings														
20	1800	2700	284T	IDXM7556T	Ⓛ	T2B	6,485	L1	28.61	526	93	230/460	23	
25	1800	2700	324T	IDXM7558T	Ⓛ	T2B	7,808	L1	32.00	708	93.6	230/460	30	
30	1800	2700	326T	IDXM7560T	Ⓛ	T2B	9,088	L1	32.00	738	93.6	230/460	37	
40	1800	2700	364T	IDXM7562T	Ⓛ	T2B	10,165	L1	33.44	1013	95	230/460	48.2	
50	1800	2700	365T	IDXM7564T	Ⓛ	T2B	12,680	L1	33.44	1034	93.6	230/460	61.6	
60	1800	2700	405T	IDXM7566T	Ⓛ	T2B	15,021	L1	38.22	1262	93.6	230/460	67.6	

(a) See notes on inside back flap.

Ⓛ = Class I, Group D

■ Cast Iron Frame

CAUTION: Explosion-proof motors have a tight fit between mating parts to ensure the integrity of the explosion-proof enclosure. This can lead to an accumulation of moisture inside the motors due to condensation. If internal condensation buildup is a concern for your XP motor application, select a motor that includes UL listed breather drain.

General Information

Single Phase Motors

General Purpose Industrial Motors

Severe Duty Motors

Large AC Motors

Washdown Duty Motors

Explosion Proof Motors

Pump Motors

HVAC Motors

Farm Duty Motors

BALDOR • RELIANCE®**Explosion Proof Motors****Explosion Proof, Inverter Duty, Class I, Group D, C-Face, Foot Mounted****3 thru 20 Hp****Features:**

- Cast Iron Frame, endplates and conduit box
- Inverter Duty nameplate
- Normally closed thermostats
- Threaded lead inlet
- Low noise vibration dampening bases

Applications:

- Customer specified Division 1 Hazardous Areas
- Fixed speed and Inverter operation

Hp	Base Speed RPM	C.H. Speed RPM	NEMA Frame	Catalog Number	XP Cls/Grp	Temp Code	List Price	Mult. Sym.	"C" Dim.	Aprx. Wt. (lb)	Full Load Efficiency	Voltage	Full Load Amps	Notes (a)
C-Face Foot Mounted, 2:1 Constant Torque, 10:1 Variable Torque Ratings														
3	1800	2700	182TC	IDXM7142T	①	T2B	1,715	L1	18.24	145	89.5	230/460	4.1	
5	1800	2700	184TC	IDXM7144T	①	T2B	2,040	L1	18.24	161	89.5	230/460	6.5	
7 1/2	1800	2700	213TC	IDXM7147T	①	T2B	2,565	L1	20.69	227	91.7	230/460	9.5	
10	1800	2700	215TC	IDXM7170T	①	T2B	3,516	L1	20.69	231	92.4	230/460	12.5	30
15	1800	2700	254TC	IDXM7054T	①	T2B	4,026	L1	26.00	373	92.4	230/460	18.1	
20	1800	2700	256TC	IDXM7056T	①	T2B	5,224	L1	26.00	408	93	230/460	24	
C-Face Foot Mounted, 10:1 Constant Torque and Variable Torque Ratings														
3	1800	2700	182TC	IDXM7542T	①	T2B	1,799	L1	18.24	146	89.5	230/460	4.1	
5	1800	2700	213TC	IDXM7544T	①	T2B	2,621	L1	20.65	212	90.2	230/460	6.7	
7 1/2	1800	2700	215TC	IDXM7547T	①	T2B	3,685	L1	20.65	226	91.7	230/460	9.5	
10	1800	2700	254TC	IDXM7570T	①	T2B	4,124	L1	26.00	392	91.7	230/460	12.4	
15	1800	2700	256TC	IDXM7554T	①	T2B	5,348	L1	26.00	392	92.4	230/460	17	

(a) See notes on inside back flap. ① = Class I, Group D ■ Cast Iron Frame

CAUTION: Explosion-proof motors have a tight fit between mating parts to ensure the integrity of the explosion-proof enclosure. This can lead to an accumulation of moisture inside the motors due to condensation. If internal condensation buildup is a concern for your XP motor application, select a motor that includes UL listed breather drain.

Explosion Proof, Inverter Duty, Class I, Group D, Class II, Group F&G, C-Face, Foot Mounted, 10:1 CT, 10:1 VT**1/3 thru 2 Hp****Features:**

- Steel band frame, cast iron endplates
- Inverter Duty nameplate
- Threaded lead inlet
- Normally closed thermostats

Applications:

- Customer specified Division 1 Hazardous Areas
- Fixed speed and Inverter operation

Hp	Base Speed RPM	C.H. Speed RPM	NEMA Frame	Catalog Number	XP Cls/Grp	Temp Code	List Price	Mult. Sym.	"C" Dim.	Aprx. Wt. (lb)	Full Load Efficiency	Voltage	Full Load Amps	Notes (a)
1/3	1800	2700	56C	IDXM7002	②	T3C	1,190	L1	14.30	43	80	230/460	0.55	
1/2	1800	2700	56C	IDXM7006	②	T3C	1,223	L1	14.30	39	82.5	230/460	0.8	
3/4	1800	2700	56C	IDXM7010	②	T3C	1,250	L1	14.30	43	84	230/460	1.1	
1	1800	2700	143TC	IDXM7014T	②	T3C	1,392	L1	14.30	52	85.5	230/460	1.5	
1 1/2	1800	2700	145TC	IDXM7034T	②	T3C	1,442	L1	15.20	60	86.5	230/460	2.2	
2	1800	2700	145TC	IDXM7037T	②	T3C	1,577	L1	16.10	63	88.5	230/460	2.8	

(a) See notes on inside back flap.

② = Class I, Group D, Class II, Group F & G

CAUTION: Explosion-proof motors have a tight fit between mating parts to ensure the integrity of the explosion-proof enclosure. This can lead to an accumulation of moisture inside the motors due to condensation. If internal condensation buildup is a concern for your XP motor application, select a motor that includes UL listed breather drain.

For more information visit baldor.com

**Explosion Proof, Inverter Duty, Class I, Group C&D;
Class II, Group F&G, T3C (160°C) Temperature Code,
4:1 CT, 10:1 VT**

3 thru 75 Hp



Features:

- Cast iron frame, endplates and conduit box
- 1.15 SF on sine wave, 1.0 SF on Inverter, 40°C ambient
- Inverter Duty nameplate
- Normally closed thermostats
- Threaded lead inlet
- UL breather drains

Applications:

- Customer specified Division 1 Hazardous Areas
- Fixed speed and Inverter operation

Hp	Base Speed RPM	C.H. Speed RPM	NEMA Frame	Catalog Number	XP Cls/Grp	Temp Code	List Price	Mult. Sym.	"C" Dim.	Aprx. Wt. (lb)	Full Load Efficiency	Voltage	Full Load Amps	Notes (a)
Foot Mounted														
3	1800	2700	L182T	IDXM7542T-C	Ⓢ	T3C	1,577	L1	17.12	175	89.5	230/460	4.3	20
5	1800	2700	L184T	IDXM7544T-C	Ⓢ	T3C	1,902	L1	17.12	225	89.5	230/460	7.1	20
7.5	1800	2700	L213T	IDXM7547T-C	Ⓢ	T3C	2,468	L1	20.12	250	91.7	230/460	9.5	20
10	1800	2700	L215T	IDXM7570T-C	Ⓢ	T3C	3,419	L1	20.12	300	91.7	230/460	12.7	20
15	1800	2700	254T	IDXM7554T-C	Ⓢ	T3C	3,846	L1	24.56	350	92.4	230/460	17.8	20
20	1800	2700	256T	IDXM7556T-C	Ⓢ	T3C	5,044	L1	24.56	400	93	230/460	24.3	20
25	1800	2700	284T	IDXM7558T-C	Ⓢ	T3C	6,700	L1	27.44	450	93.6	230/460	30.6	20
30	1800	2700	286T	IDXM7560T-C	Ⓢ	T3C	8,060	L1	27.44	500	93.6	230/460	37.4	20
40	1800	2700	324T	IDXM7562T-C	Ⓢ	T3C	10,723	L1	30.44	825	94.1	230/460	47.8	20
50	1800	2700	326T	IDXM7564T-C	Ⓢ	T3C	12,375	L1	30.44	900	94.5	230/460	59.4	20
60	1800	2700	364T	IDXM7566T-C	Ⓢ	T3C	14,266	L1	33.44	965	95	230/460	68	20
75	1800	2700	365T	IDXM7568T-C	Ⓢ	T3C	14,725	L1	33.44	1326	95.4	230/460	85.9	20
C-Face Foot Mounted														
3	1800	2700	L182TC	IDXCM7542T-C	Ⓢ	T3C	1,892	L1	17.88	175	89.5	230/460	4.3	20
5	1800	2700	L184TC	IDXCM7544T-C	Ⓢ	T3C	2,217	L1	17.88	225	89.5	230/460	7.1	20
7.5	1800	2700	L213TC	IDXCM7547T-C	Ⓢ	T3C	2,809	L1	20.88	250	91.7	230/460	9.5	20
10	1800	2700	L215TC	IDXCM7570T-C	Ⓢ	T3C	3,760	L1	20.88	300	91.7	230/460	12.7	20
15	1800	2700	254TC	IDXCM7554T-C	Ⓢ	T3C	4,359	L1	25.06	350	92.4	230/460	17.8	20
20	1800	2700	256TC	IDXCM7556T-C	Ⓢ	T3C	5,557	L1	25.06	400	93	230/460	24.3	20
25	1800	2700	284TC	IDXCM7558T-C	Ⓢ	T3C	7,558	L1	27.44	450	93.6	230/460	30.6	20
30	1800	2700	286TC	IDXCM7560T-C	Ⓢ	T3C	8,918	L1	27.44	500	93.6	230/460	37.4	20
40	1800	2700	324TC	IDXCM7562T-C	Ⓢ	T3C	11,963	L1	30.44	825	94.1	230/460	47.8	20
50	1800	2700	326TC	IDXCM7564T-C	Ⓢ	T3C	13,615	L1	30.44	900	94.5	230/460	59.4	20
60	1800	2700	364TC	IDXCM7566T-C	Ⓢ	T3C	15,841	L1	33.44	910	95	230/460	68	20
75	1800	2700	365TC	IDXCM7568T-C	Ⓢ	T3C	16,300	L1	33.44	965	95.4	230/460	85.9	20

(a) See notes on inside back flap.

Ⓢ = Class I, Group C & D, Class II, Group F & G

■ Cast Iron Frame

These motor include a UL Listed breather drain and expel internal condensation better than standard XP designs. Internal condensation is more frequently an issue in outdoor and exposed environment installations that are not operated for extended periods.

BALDOR • RELIANCE

From industrial wastewater to fire suppression systems or commercial pools, Baldor•Reliance pump motors provide value by increasing reliability and reducing maintenance costs. Utilizing energy efficient designs, our pump motors meet NEMA Premium® efficiency and Inverter ready with wide variable torque speed ranges. Motor construction can be tailored for specific applications and industries such as food processing, washdown applications or explosion proof enclosures for pumps in hazardous areas.



Key Features:

- Baldor•Reliance motors meet or exceed all efficiency requirements for US, Canada and Mexico regulations
- Dynamically balanced rotor to reduce noise and increase bearing life
- Color coded and numbered leads for ease of connectivity

1/3 - 300 Horsepower

Pump Motor Product Line		Fire Pump	Jet Pump and Close-Coupled	Vertical P-Base	Submersible
NEMA Frame	Frame size range for stock products	210 - 440T	56 - 320T	180 - 360T	180 - 360T
Hp	Horse Power NEMA	10 - 300	1/3 - 50	3 - 75	1 - 100
Volts 60 Hz	Single Phase 115/208-230 or 115/230	-	S	-	S
	Three Phase 200 Volts	-	A	A	-
	Three Phase 200/400 Volts	S	A	A	-
	Three Phase 230/460 Volts	S	S	S	-
	Three Phase 460 Volts	S	A	A	S
	Three Phase 575 Volts	-	S	A	-
	Three Phase 230 Volts	-	A	A	S
Speed	Speed (60 Hz)	3600 or 1800 RPM	3600 or 1800 RPM	3600 or 1800 RPM	1800 or 1200 RPM
Electrical Features					
Efficiency	Baldor•Reliance motors meet or exceed all efficiency requirements for US, Canada & Mexico regulations	S	S	S	S
Torque	NEMA Design B Torques	S	S	S	S
Service Factor & Temp. Rise	1.15 Service Factor – Continuous (most ratings) Class F insulation with Class B rise @ 1.0 Service Factor	S	S	S	S
Inverter Ready	Super E® – meets NEMA MG1 Part 31.4.4.2 12 Lead Wye Delta connection	-	S	S	S
		-	-	S	S
Mechanical Features					
IP Code	IP22 Ingress Protection	S	S	S	-
	IP44 Ingress Protection	-	S	-	-
	IP54 Ingress Protection	-	A	-	-
	IP55 Ingress Protection	-	S	S	-
	IP56 Ingress Protection	-	S	-	-
	IP68 Ingress Protection	-	-	-	S
	IP69K Ingress Protection	-	S	-	-
Enclosure	Enclosure Type	ODP	ODP or TEFC	ODP or TEFC	TENV
Frame	Heavy Gauge Steel Frame	S	S	-	-
	Cast Iron frame	S	S	S	S
	Lifting provisions positioned for easy handling in the application (motors over 70 Lbs)	S	S	S	S
Explosion Proof	UL Listed for use in hazardous locations	-	S	-	S
Bearings	High performance Ball Bearings designs	S	S	S	S
Lubrication	Super-premium Mobil Polyrex™ EM Series Grease	S	S	S	S
Conduit Box	Color Coded and numbered leads for ease of connectivity	S	S	S	-
	Epoxy Encapsulated lead connections	-	-	-	S
	Gasketed Cast Aluminum	-	S	S	-
	Gasketed Cast Iron frame	-	S	S	-
	25 feet of cable	-	-	-	S
Nameplate	Laser etched nameplate with highly legible font	S	S	S	S
Other Key Features					
Warranty	Warranty # Months (NEMA Premium® Super-E®)	-	36	36	60
	Warranty # Months	12	18	-	-

S = Standard A = Available through Mod Express or as custom

For more information visit baldor.com

Fire Pump, Three Phase, ODP, Foot Mounted

10 thru 300 Hp



Features:

- 1.15 SF, 40°C ambient continuous
- NEMA Design B, 60 Hz
- 230/460 and 460 Volt models rated for 50 Hz at next lower Hp
- Dual voltage motors 20 Hp and larger have 12 leads, are suitable for wye-delta or across the line start on either voltage or part winding start on low voltage
- 460V motors have 12 leads and are suitable for wye-delta, across the line or part winding start
- UL file E481231
- Exterior red paint RAL3002

Applications:

- UL listed Fire Pump motors installed per NFPA-20

Hp	RPM	NEMA Frame	Catalog Number	List Price	Mult. Sym.	"C" Dim.	Aprx. Wt. (lb)	Full Load Efficiency	Voltage	Full Load Amps	Notes (a)
10	3600	213T	FPM3312T	1,322	FP	16.32	121	88.5	230/460	12	1
	1800	215T	FPM3313T	1,488	FP	16.32	115	89.5	230/460	13.4	1
15	3600	215T	FPM3314T	1,720	FP	16.32	131	89.5	230/460	17.7	1
	1800	254T	FPM2513T	1,967	FP	22.25	213	91	230/460	17.5	1
20	3600	254T	FPM2514T	2,051	FP	22.25	145	90.2	230/460	23	1
	1800	256T	FPM2515T	2,113	FP	21.69	225	91	230/460	24	1
25	3600	256T	FPM2516T	2,293	FP	21.69	210	91	230/460	29	1
		256T	FPM2516T-2/4	2,293	FP	21.69	210	91	200/400	34	1, 33
	1800	284TS	FPM2531TS	2,548	FP	23.56	236	91.7	230/460	29	1
		284TS	FPM2531TS-2/4	2,548	FP	23.56	236	91.7	200/400	34	1, 33
30	3600	284TS	FPM2534T	2,647	FP	22.06	235	91	230/460	35	1
		284TS	FPM2534T-2/4	2,647	FP	22.06	235	91	200/400	40	1, 33
	1800	286TS	FPM2535TS	3,162	FP	23.69	340	92.4	230/460	36	1
		286TS	FPM2535TS-2/4	3,162	FP	23.69	340	92.4	200/400	41	1, 33
40	3600	286TS	FPM2538T	3,363	FP	23.56	263	91.7	230/460	45	1
		286TS	FPM2538T-2/4	3,363	FP	23.56	263	91.7	200/400	52	1, 33
	1800	324TS	FPM2539TS	3,515	FP	24.69	375	93	230/460	49	1
		324TS	FPM2539TS-2/4	3,515	FP	24.69	375	93	200/400	56	1, 33
50	3600	324TS	FPM2542T	3,835	FP	24.69	331	92.4	230/460	58	1
		324TS	FPM2542T-2/4	3,835	FP	24.69	331	92.4	200/400	67	1, 33
	1800	326TS	FPM2543TS	3,882	FP	25.69	385	93	230/460	60	1
		326TS	FPM2543TS-2/4	3,882	FP	25.69	385	93	200/400	70	1, 33
60	3600	326TS	FPM2546T	4,677	FP	25.69	385	93	230/460	68	1
		326TS	FPM2546T-2/4	4,677	FP	25.69	385	93	200/400	78	1, 33
	1800	364TS	FPM2547TS	4,976	FP	25.81	480	93.6	230/460	72	1
		364TS	FPM2547TS-2/4	4,976	FP	25.81	480	93.6	200/400	83	1, 33
75	3600	364TS	FPM2549T	6,378	FP	25.81	485	93	230/460	84	1
		364TS	FPM2549T-2/4	6,378	FP	25.81	485	93	200/400	96	1, 33
	1800	365TS	FPM2551TS	5,598	FP	27.81	570	94.1	230/460	87	1
		365TS	FPM2551TS-2/4	5,598	FP	27.81	570	94.1	200/400	100	1, 33
100	3600	365TS	FPM2550T	6,922	FP	26.81	523	93	230/460	113	1
		365TS	FPM2550T-2/4	6,922	FP	26.81	523	93	200/400	130	1, 33
	1800	404TS	FPM2555TS	8,407	FP	31.85	597	94.1	230/460	117	1
125	404TS	FPM2555TS-2/4	8,407	FP	31.85	597	94.1	200/400	135	1, 33	
	3600	404TS	FPM2554T-4	9,635	FP	31.85	660	93.6	460	138	1
150	1800	405TS	FPM2559TS-4	9,919	FP	33.60	590	94.5	460	145	1
	3600	405TS	FPM2556T-4	11,830	FP	31.85	925	93.6	460	164	1
200	1800	444TS	FPM2558TS-4	11,560	FP	35.88	1579	95	460	167	1
	3600	444TS	FPM2562T-4	15,174	FP	35.88	1449	94.5	460	232	1
250	1800	445TS	FPM2563TS-4	14,220	FP	35.88	1718	95	460	224	1
	3600	445TS	FPM2565T-4	15,975	FP	35.88	1737	94.5	460	288	1
300	1800	445TS	FPM2566TS-4	16,184	FP	35.88	1844	95.4	460	272	1
		445TS	FPM2568T-4	23,699	FP	35.88	1697	95	460	339	1

(a) See notes on inside back flap. Cast Iron Frame Red Catalog Number indicates **NEW** Product.

Fire Pump, Three Phase, ODP, Footless, Close-Coupled Pump**10 thru 100 Hp****Features:**

- 1.15 SF, 40°C ambient continuous
- NEMA Design B, 60 Hz
- 230/460 Volt models rated for 50 Hz at next lower Hp
- Dual voltage motors 20 Hp and larger have 12 leads, are suitable for wye-delta or across the line start on either voltage or part winding start on low voltage
- Vertical lifting
- UL file E481231
- Exterior red paint RAL3002

Applications:

- UL listed Fire Pump motors installed per NFPA-20

Hp	RPM	NEMA Frame	Catalog Number	List Price	Mult. Sym.	"C" Dim.	Aprx. Wt. (lb)	Full Load Efficiency	Voltage	Full Load Amps	Notes (a)
10	3600	213JP	VJPFPM3312T	1,397	FP	24.41	121	88.5	230/460	12	1
		213JP	VJPFPM3312T-2/4	1,397	FP	24.41	121	88.5	200/400	12	1, 33
	1800	215JP	VJPFPM3313T	1,559	FP	24.41	117	89.5	230/460	13.4	1
15	3600	215JP	VJPFPM3314T	1,795	FP	24.41	131	89.5	230/460	17.7	1
		215JP	VJPFPM3314T-2/4	1,795	FP	24.41	131	89.5	200/400	20.4	1, 33
	1800	254JP	VJPFPM2513T	2,230	FP	28.07	220	91	230/460	17.5	1
20	3600	254JP	VJPFPM2514T	2,389	FP	27.66	145	90.2	230/460	23	1
		254JP	VJPFPM2514T-2/4	2,389	FP	27.66	145	90.2	200/400	26.5	1, 33
	1800	256JP	VJPFPM2515T	2,497	FP	28.07	231	91	230/460	24	1
25	3600	256JP	VJPFPM2516T	2,745	FP	28.07	221	91	230/460	29	1
		256JP	VJPFPM2516T-2/4	2,745	FP	28.07	221	91	200/400	34	1, 33
	1800	284JP	VJPFPM2531T	3,062	FP	31.44	272	91.7	230/460	29	1
30	3600	284JP	VJPFPM2534T	3,250	FP	29.23	235	91	230/460	35	1
		284JP	VJPFPM2534T-2/4	3,250	FP	29.23	235	91	200/400	40	1, 33
	1800	286JP	VJPFPM2535T	3,758	FP	29.25	375	92.4	230/460	36	1
40	3600	286JP	VJPFPM2538T	3,885	FP	31.44	263	91.7	230/460	45	1
		286JP	VJPFPM2538T-2/4	3,885	FP	31.44	263	91.7	200/400	52	1, 33
	1800	324JP	VJPFPM2539T	4,519	FP	31.13	375	93	230/460	49	1
50	3600	324JP	VJPFPM2542T	4,841	FP	31.13	331	92.4	230/460	58	1
		324JP	VJPFPM2542T-2/4	4,841	FP	31.13	331	92.4	200/400	67	1, 33
	1800	326JP	VJPFPM2543T	5,030	FP	32.13	378	93	230/460	60	1
60	3600	326JP	VJPFPM2546T	5,730	FP	32.13	385	93	230/460	68	1
		326JP	VJPFPM2546T-2/4	5,730	FP	32.13	385	93	200/400	78	1, 33
	1800	364JP	VJPFPM2547T	6,232	FP	32.50	480	93.6	230/460	72	1
75	3600	364JP	VJPFPM2549T	7,728	FP	32.50	472	93	230/460	84	1
		364JP	VJPFPM2549T-2/4	7,728	FP	32.50	472	93	200/400	96	1, 33
	1800	365JP	VJPFPM2551T	7,275	FP	34.50	565	94.1	230/460	87	1
100	3600	365JP	VJPFPM2550T	8,245	FP	33.50	523	93	230/460	113	1
		365JP	VJPFPM2550T-2/4	8,245	FP	33.50	523	93	200/400	130	1, 33

(a) See notes on inside back flap.

Red Catalog Number indicates **NEW** Product.

BALDOR • RELIANCE
Jet Pump, Single Phase, TEFC

Pump Motors

1/3 thru 2 Hp



Features:

- Automatic thermal overload protection
- Corrosion resistant stainless steel shaft extension
- Slotted opposite DE shaft for easy installation
- Superior switch design provides optimized torque profiles
- Dynamically balanced rotor to reduce noise and increase bearing life

Applications:

- Industrial Pumps
- Swimming Pool Pumps
- General Purpose Pumps
- Commercial Machinery
- Food and Beverage
- Wastewater
- Agricultural

Hp	RPM	NEMA Frame	Catalog Number	List Price	Mult. Sym.	"C" Dim.	Aprx. Wt. (lb)	Full Load Efficiency	Voltage	Full Load Amps	Notes (a)
Foot Mounted											
1/3	1800	56J	CJL3501A	423	K	11.84	23	60	115/230	3	30
1/2	1800	56J	CJL3504A	498	K	12.47	28	68	115/230	3.7	30
3/4	1800	56J	CJL3507A	607	K	12.97	35	74	115/230	4.1	30
1	3600	56J	CJL3509A	614	K	13.74	39	66	115/230	6	30
1.5	3600	56J	CJL3513A	675	K	13.74	47	70	115/230	8.3	30
2	3600	56J	CJL3515A	793	K	14.62	51	74	115/230	11.5	30
Footless											
1/3	3600	56J	JL3405A	313	K	11.85	19	60	115/230	3	30
	1800	56J	JL3501A	391	K	11.85	22	60	115/230	3	30
1/2	3600	56J	JL3503A	359	K	12.85	26	62	115/230	3.7	30
	1800	56J	JL3504A	454	K	12.85	27	68	115/230	3.7	30
3/4	3600	56J	JL3506A	427	K	12.85	29	66	115/230	5.4	30
	1800	56J	JL3507A	539	K	12.97	33	74	115/230	4.1	30
1	3600	56J	JL3509A	522	K	13.74	42	66	115/230	6	30
	1800	56J	JL3510A	619	K	13.74	40	67	115/230	6.2	30
1 1/2	3600	56J	JL3513A	619	K	13.74	45	70	115/230	8.3	30
	1800	56J	JL3514A	679	K	14.62	51	75.5	115/230	8	30
2	3600	56J	JL3515A	727	K	14.62	54	74	115/230	11.5	30
	1800	56J	JL3516A	773	K	14.62	52	78	115/230	8.6	20, 30

(a) See notes on inside back flap.

All threaded shaft, single phase motors are connected single rotation - CCW when viewing drive end.

ALL ABOVE RATINGS CAN BE UL 1081 COMPLIANT THROUGH MOD EXPRESS. SEE M30A IN THE MOD EXPRESS PROGRAM SECTION OF THIS CATALOG FOR MORE DETAILS.

General Information

Single Phase Motors

General Purpose Industrial Motors

Severe Duty Motors

Large AC Motors

Washdown Duty Motors

Explosion Proof Motors

Pump Motors

HVAC Motors

Farm Duty Motors

Jet Pump, Single Phase, ODP

1/3 thru 3 Hp



Features:

- Automatic thermal overload protection
- Corrosion resistant stainless steel shaft extension
- Slotted opposite DE shaft for easy installation
- Superior switch design provides optimized torque profiles
- Optimized airflow design providing higher horsepower in a smaller package

Applications:

- Industrial Pumps
- Swimming Pool Pumps
- General Purpose Pumps
- Commercial Machinery
- Food and Beverage
- Wastewater
- Agricultural

Hp	RPM	NEMA Frame	Catalog Number	List Price	Mult. Sym.	"C" Dim.	Aprx. Wt. (lb)	Full Load Efficiency	Voltage	Full Load Amps	Notes (a)
Foot Mounted											
1/3	3600	56J	CJL1205A	308	K	11.91	23	58	115/230	3.1	
	1800	56J	CJL1301A	462	K	11.89	23	60	115/208-230	3	30
1/2	3600	56J	CJL1303A	320	K	12.51	30	66	115/230	3.7	
	1800	56J	CJL1304A	522	K	12.14	25	62	115/230	4.2	30
3/4	3600	56J	CJL1306A	408	K	13.39	30	69	115/230	5.5	
	1800	56J	CJL1307A	599	K	12.25	35	63	115/230	5.4	
1	3600	56J	CJL1309A	418	K	13.89	32	65	115/208-230	7	30
1 1/2	3600	56J	CJL1313A	580	K	13.89	37	78.5	115/230	6.5	
2	3600	56J	CJL1317A	776	K	13.25	45	70	115/230	13	30
Footless											
1/3	3600	56J	JL1205A	270	K	11.89	25	58	115/230	3.1	
	1800	56J	JL1301A	311	K	11.89	23	60	115/230	3	30
1/2	3600	56J	JL1303A	304	K	12.51	26	66	115/230	3.7	
	1800	56J	JL1304A	366	K	12.14	25	62	115/230	4.2	30
3/4	3600	56J	JL1306A	400	K	13.39	33	69	115/230	5.5	
	1800	56J	JL1307A	462	K	13.89	33	68	115/230	5.1	30
1	3600	56J	JL1309A	414	K	13.89	32	65	115/230	7	30
1 1/2	3600	56J	JL1313A	578	K	13.89	36	78.5	115/230	6.5	
2	3600	56J	JL1317A	713	K	13.25	45	70	115/230	13	30
3	3600	56J	JL1323A	732	K	14.13	52	82.5	230	13	30

(a) See notes on inside back flap.

All threaded shaft, single phase motors are connected single rotation - CCW when viewing drive end.

ALL ABOVE RATINGS CAN BE UL 1081 COMPLIANT THROUGH MOD EXPRESS. SEE M30A IN THE MOD EXPRESS PROGRAM SECTION OF THIS CATALOG FOR MORE DETAILS.

General Information

Single Phase Motors

General Purpose Industrial Motors

Severe Duty Motors

Large AC Motors

Washdown Duty Motors

Explosion Proof Motors

Pump Motors

HVAC Motors

Farm Duty Motors

BALDOR • RELIANCE
Jet Pump, Three Phase, TEFC

Pump Motors

1/3 thru 3 Hp



Features:

- Corrosion resistant stainless steel shaft extension
- Slotted opposite DE shaft for easy installation
- Dynamically balanced rotor to reduce noise and increase bearing life

Applications:

- Industrial Pumps
- Swimming Pool Pumps
- General Purpose Pumps
- Commercial Machinery
- Food and Beverage
- Wastewater
- Agricultural

Hp	RPM	NEMA Frame	Catalog Number	List Price	Mult. Sym.	"C" Dim.	Aprx. Wt. (lb)	Full Load Efficiency	Voltage	Full Load Amps	Notes (a)
Footless											
1/3	3600	56J	JM3457	351	K	11.84	19	62	230/460	0.8	30
	1800	56J	JM3458	380	K	11.84	21	68	230/460	0.8	30
1/2	3600	56J	JM3460	380	K	11.84	21	70	230/460	1.2	30
	1800	56J	JM3461	448	K	11.84	23	74	230/460	1	30
3/4	3600	56J	JM3463	416	K	11.84	23	74	208-230/460	1.5	
	1800	56J	JM3542	484	K	11.84	26	75.5	208-230/460	1.5	
1	3600	56J	EJM3545	651	K	12.47	27	77	230/460	1.6	30
	1800	56J	EJM3546	748	K	13.74	37	85.5	230/460	1.7	30
1 1/2	3600	56J	EJM3550	736	K	12.72	38	84	230/460	1.9	30
		56J	JM3550	514	K	12.47	29	80	230/460	2.3	1, 16, 30
	1800	56J	EJM3554	830	K	13.74	41	86.5	230/460	2.3	1, 30
2	3600	56J	EJM3555	805	K	13.74	41	85.5	230/460	2.5	30
		56J	JM3555	651	K	13.74	41	80	230/460	2.7	16, 30
	1800	56J	EJM3558	877	K	14.62	48	86.5	230/460	2.9	1, 30
3	3600	56J	EJM3559	881	K	14.62	50	86.5	230/460	3.6	1, 30
		56J	JM3559	707	K	13.74	44	82.5	208-230/460	3.8	1, 16
Foot Mounted											
1/2	1800	56J	CJM3538	475	K	11.84	23	74	230/460	1	30
3/4	1800	56J	CJM3542	503	K	11.84	25	75.5	208-230/460	1.5	

(a) See notes on inside back flap.

Red Catalog Number indicates **NEW** Product.

ALL ABOVE RATINGS CAN BE UL 1081 COMPLIANT THROUGH MOD EXPRESS. SEE M30A IN THE MOD EXPRESS PROGRAM SECTION OF THIS CATALOG FOR MORE DETAILS.

Jet Pump, Three Phase, ODP**1/3 thru 3 Hp****Features:**

- Corrosion resistant stainless steel shaft extension
- Slotted opposite DE shaft for easy installation
- Dynamically balanced rotor to reduce noise and increase bearing life
- Optimized airflow design providing higher horsepower in a smaller package

Applications:

- Industrial Pumps
- Swimming Pool Pumps
- General Purpose Pumps
- Commercial Machinery
- Food and Beverage
- Wastewater
- Agricultural

Hp	RPM	NEMA Frame	Catalog Number	List Price	Mult. Sym.	"C" Dim.	Aprx. Wt. (lb)	Full Load Efficiency	Voltage	Full Load Amps	Notes (a)
Footless											
1/3	3600	56J	JM3006	320	K	11.72	19	62	230/460	0.8	30
1/2	3600	56J	JM3107	338	K	11.72	21	70	230/460	1.2	30
	1800	56J	JM3108	404	K	11.85	23	74	230/460	1	30
3/4	3600	56J	JM3111	401	K	11.72	23	74	208-230/460	1.5	
	1800	56J	JM3112	446	K	12.34	27	75.5	208-230/460	1.5	
1	3600	56J	JM3115	446	K	12.34	32	77	230/460	1.6	30
	1800	56J	JM3116	489	K	13.22	30	78.5	208-230/460	1.7	1
1 1/2	3600	56J	JM3120	532	K	13.22	30	74	230/460	2.2	30
	1800	56J	JM3154	582	K	13.72	34	77	208-230/460	2.8	
2	3600	56J	JM3155	632	K	13.72	35	82.5	230/460	2.7	30
3	3600	56J	JM3158	750	K	13.72	42	80	208-230/460	4	
Foot Mounted											
1/3	1800	56J	CJM3104	383	K	11.85	22	68	230/460	0.8	30
1/2	3600	56J	CJM3107	351	K	11.72	22	70	230/460	1.2	30
	1800	56J	CJM3108	428	K	11.72	24	74	230/460	1	30
3/4	3600	56J	CJM3111	401	K	11.72	28	74	208-230/460	1.5	
	1800	56J	CJM3112	459	K	12.34	27	75.5	208-230/460	1.5	
1	3600	56J	CJM3115	448	K	12.34	29	77	230/460	1.6	30
1 1/2	3600	56J	CJM3120	546	K	13.22	31	81.5	230/460	2	30
2	3600	56J	CJM3155	649	K	13.72	34	82.5	230/460	2.7	30
3	3600	56J	CJM3158	768	K	13.74	41	80	208-230/460	4	

(a) See notes on inside back flap.

ALL ABOVE RATINGS CAN BE UL 1081 COMPLIANT THROUGH MOD EXPRESS. SEE M30A IN THE MOD EXPRESS PROGRAM SECTION OF THIS CATALOG FOR MORE DETAILS.

Washdown, Jet Pump, Three Phase, TEFC, C-Face

3/4 thru 3 Hp

IP55

General Information

Single Phase Motors

General Purpose Industrial Motors

Severe Duty Motors

Large AC Motors

Washdown Duty Motors

Explosion Proof Motors

Pump Motors

HVAC Motors

Farm Duty Motors



Features:

- 300 series stainless steel hardware and shaft extension
- Footless
- Neoprene gaskets
- Double sealed ball bearings
- Lip and V-Ring seal on DE
- Electrostatically applied epoxy finish
- Easy removable drain plugs

Applications:

- Food Processing
- Wet environment
- Pumps and Wastewater

Hp	RPM	NEMA Frame	Catalog Number	List Price	Mult. Sym.	"C" Dim.	Aprx. Wt. (lb)	Full Load Efficiency	Voltage	Full Load Amps	Notes (a)
Footless											
3/4	3600	56J	JWDM3463	634	WD	12.73	33	68	208-230/460	1.4	1
1	3600	56J	JEWDM3545	1,001	WD	12.73	38	78.5	230/460	1.6	1, 30
1 1/2	3600	56J	JEWDM3550	1,058	WD	13.73	41	84	230/460	2	1, 30
2	3600	56J	JEWDM3555	1,175	WD	13.73	41	85.5	230/460	2.5	1
3	3600	56J	JEWDM3559	1,393	WD	14.99	64	87.5	230/460	3.5	1, 30
Foot Mounted											
3/4	3600	56J	CJWDM3463	639	WD	12.72	33	68	208-230/460	1.4	1
1	3600	56J	CJEWDM3545	1,006	WD	12.72	38	78.5	230/460	1.6	1, 30
1 1/2	3600	56J	CJEWDM3550	1,063	WD	13.72	41	84	230/460	2	1, 30
2	3600	56J	CJEWDM3555	1,180	WD	13.73	41	85.5	230/460	2.5	1
3	3600	56J	CJEWDM3559	1,398	WD	14.99	64	87.5	230/460	3.5	1, 30

(a) See notes on inside back flap.

Red Catalog Number indicates **NEW** Product.

Square Flange Pump, ODP

1/2 thru 2 Hp



Features:

- Corrosion resistant stainless steel shaft extension
- Dynamically balanced rotor to reduce noise and increase bearing life
- Heavy gauge steel design
- Safeguard drip cover

Applications:

- Square Flange Pumps
- Swimming Pool Pumps
- General Purpose Pumps
- Commercial Machinery
- Food and Beverage
- Wastewater
- Agricultural

Hp	RPM	NEMA Frame	Catalog Number	List Price	Mult. Sym.	"C" Dim.	Aprx. Wt. (lb)	Full Load Efficiency	Voltage	Full Load Amps	Notes (a)
Single Phase											
1/2	3600	56Y	JSL325A	376	K	11.35	24	70	115/230	3.3	30
3/4	3600	56Y	JSL425A	399	K	11.97	26	62	115/230	5.1	30
1	3600	56Y	JSL525A	426	K	12.72	30	70	115/230	6.3	30
1 1/2	3600	56YZ	JSL625A	580	K	14.44	42	72	115/230	9	30
2	3600	56YZ	JSL725A	582	K	14.44	47	74	115/230	11	30
Three Phase											
1/2	3600	56YZ	JSM3107	338	K	11.40	21	70	230/460	1.2	30
3/4	3600	56YZ	JSM3111	400	K	11.40	24	74	208-230/460	1.5	
1	3600	56YZ	JSM3115	443	K	12.02	27	77	230/460	1.6	30
1 1/2	3600	56YZ	JSM3120	528	K	12.77	31	81.5	230/460	2	30
2	3600	56YZ	JSM3155	625	K	13.40	35	82.5	230/460	2.7	30

(a) See notes on inside back flap.

Close-Coupled Pump, Single Phase

3 thru 10 Hp



Features:

- Oversize ball bearings for the pump industry
- Locked DE bearing to allow mounting in any configuration
- Dynamically balanced rotor to reduce noise and increase bearing life
- Superior switch design provides optimized torque profiles

Applications:

- Industrial Pumps
- General Purpose Pumps
- Food and Beverage
- Wastewater
- Agricultural
- Aggregate
- Cement

Hp	RPM	NEMA Frame	Catalog Number	List Price	Mult. Sym.	"C" Dim.	Aprx. Wt. (lb)	Full Load Efficiency	Voltage	Full Load Amps	Notes (a)
Totally Enclosed Fan Cooled, Mechanical Seal, Type JM											
3	3600	182JM	JML3606T	1,035	L1	18.06	79	76	115/230	14.5	1, 30
5	3600	184JM	JML3608T	1,379	L1	19.55	93	83	230	19.5	2, 20
Open Drip Proof, Mechanical Seal, Type JM											
3	3600	182JM	JML1406T	987	L1	16.50	69	78	115/208-230	14	
	1800	184JM	JML1408T	1,132	L1	16.50	80	78	115/230	16	30
5	3600	184JM	JML1409T	1,394	L1	16.50	81	80	230	21.5	1, 30
	1800	213JM	JML1508T	1,606	L1	18.19	115	77	230	27	
7 1/2	3600	213JM	JML1509T	2,000	L1	18.19	116	81	230	37	30
	1800	215JM	JML1510T	2,115	L1	19.31	142	85.5	230	31	30
10	3600	215JM	JML1511T	2,459	L1	19.31	141	83	230	46	20, 30
	1800	215JM	JML1512T	2,618	L1	20.95	150	84	230	41	20, 30
Open Drip Proof, Packed Pump, Type JP											
3	3600	182JP	JPL1406T	987	L1	19.57	76	78	115/230	14	30
	1800	184JP	JPL1408T	1,132	L1	19.57	87	78	115/230	16	30
5	3600	184JP	JPL1409T	1,394	L1	19.57	88	80	230	21.5	1, 30
	1800	213JP	JPL1508T	1,606	L1	22.07	117	77	230	27	
7 1/2	3600	213JP	JPL1509T	2,000	L1	22.07	121	81	230	37	30
	1800	215JP	JPL1510T	2,115	L1	23.19	143	85.5	230	31	30
10	3600	215JP	JPL1511T	2,459	L1	23.19	148	83	230	46	20, 30
	1800	215JP	JPL1512T	2,618	L1	20.95	142	84	230	41	20, 30
Open Drip Proof, West Coast Fit, Type TCZ											
3	3600	182TCZ	WCL1406T	994	L1	19.69	81	78	115/230	14	30
	1800	184TCZ	WCL1408T	1,140	L1	19.69	91	78	115/230	16	30
5	3600	184TCZ	WCL1409T	1,407	L1	19.69	91	75	230	23	1, 30
	1800	213TCZ	WCL1508T	1,620	L1	21.25	116	77	230	27	
7 1/2	3600	213TCZ	WCL1509T	2,013	L1	21.25	117	81	230	37	30
10	3600	215TCZ	WCL1511T	2,482	L1	22.38	143	83	230	46	20, 30

(a) See notes on inside back flap.

General Information

Single Phase Motors

General Purpose Industrial Motors

Severe Duty Motors

Large AC Motors

Washdown Duty Motors

Explosion Proof Motors

Pump Motors

HVAC Motors

Farm Duty Motors

Close-Coupled Pump, Three Phase, Foot Mounted, With Internal Aegis® Bearing Protection Ring

1 thru 20 Hp



Features:

- Internal grounding brush for bearing current mitigation on DE retainer ring
- Class H insulation for increased protection on Inverter use
- Oversize ball bearings for the pump industry
- Locked DE bearing to allow mounting in any configuration
- Designed for longevity with a 3 year warranty on premium efficient Super-E® Motors
- Suitable for Inverter use per NEMA MG1 Part 31.4.4.2

Applications:

- Commercial pumps
- Pairing with a Speed Drive
- General Purpose Pumps
- Industrial Pumps
- Food and Beverage
- Agricultural

Hp	RPM	NEMA Frame	Catalog Number	List Price	Mult. Sym.	"C" Dim.	Aprx. Wt. (lb)	Full Load Efficiency	Voltage	Full Load Amps	Notes (a)
Totally Enclosed Fan Cooled											
3	3600	182JM	EJMM3610T-G	1,157	L1	16.91	60	86.5	230/460	3.6	30
	1800	182JM	EJMM3611T-G	1,252	L1	18.06	76	89.5	230/460	4.2	30
5	3600	184JM	EJMM3613T-G	1,333	L1	18.06	81	88.5	230/460	5.9	30
	1800	184JM	EJMM3615T-G	1,255	L1	19.56	93	89.5	230/460	6.7	30
7 1/2	3600	213JM	EJMM3709T-G	1,735	L1	19.76	124	89.5	230/460	9	30
	1800	213JM	EJMM3710T-G	1,854	L1	20.89	134	91.7	230/460	9.4	30
10	3600	215JM	EJMM3711T-G	1,953	L1	19.76	124	90.2	230/460	11.8	30
	1800	215JM	EJMM3714T-G	2,133	L1	22.38	165	91.7	230/460	12	30
15	3600	254JM	EJMM2394T-G	3,384	L1	25.30	260	91	230/460	17.5	30
	1800	254JM	EJMM2333T-G	3,357	L1	25.30	265	92.4	230/460	18.1	30
20	3600	256JM	EJMM4106T-G	3,697	L1	25.30	274	91	230/460	23	30
	1800	256JM	EJMM2334T-G	3,750	L1	25.30	308	93	230/460	24	30
Open Drip Proof											
1	1800	143JM	EJMM3116T-G	873	L1	13.75	37	85.5	230/460	1.5	30
1 1/2	1800	145JM	EJMM3154T-G	931	L1	13.75	41	86.5	230/460	2.2	30
2	1800	145JM	EJMM3157T-G	1,003	L1	14.25	44	86.5	230/460	2.9	30
3	3600	145JM	EJMM3158T-G	1,116	L1	15.13	51	85.5	230/460	3.8	30
	1800	182JM	EJMM3211T-G	1,134	L1	16.50	74	89.5	230/460	4.2	30
5	3600	182JM	EJMM3212T-G	1,340	L1	15.12	64	86.5	230/460	6	30
	1800	184JM	EJMM3218T-G	1,255	L1	18.00	88	89.5	230/460	6.6	30
7 1/2	3600	184JM	EJMM3219T-G	1,546	L1	16.50	78	88.5	230/460	8.6	30
	1800	213JM	EJMM3311T-G	1,831	L1	18.19	120	91	230/460	9.7	30
10	3600	213JM	EJMM3312T-G	1,984	L1	18.19	121	89.5	230/460	12	30
	1800	215JM	EJMM3313T-G	1,959	L1	19.31	132	91.7	230/460	12.5	30
15	3600	215JM	EJMM3314T-G	2,479	L1	18.19	134	90.2	230/460	17.5	30
	1800	254JM	EJMM2513T-G	2,804	L1	23.19	213	93	230/460	17.7	30

(a) See notes on inside back flap.

■ Cast Iron Frame

Close-Coupled Pump, Three Phase, TEFC

1 thru 50 Hp



Features:

- Oversize ball bearings for the pump industry
- Locked DE bearing to allow mounting in any configuration
- Designed for longevity with a 3 year warranty on premium efficient Super-E® Motors
- Suitable for Inverter use per NEMA MG1 Part 31.4.4.2

Applications:

- General Purpose Pumps
- Industrial Applications
- Commercial Pumps
- Food and Beverage
- Wastewater
- Agricultural
- Aggregate

Hp	RPM	NEMA Frame	Catalog Number	List Price	Mult. Sym.	"C" Dim.	Aprx. Wt. (lb)	Full Load Efficiency	Voltage	Full Load Amps	Notes (a)
230/460 Volts											
1	1800	143JM	EJMM3546T	827	L1	15.43	40	85.5	230/460	1.5	1, 30
		143JM	JMM3546T	657	L1	15.43	39	82.5	208-230/460	1.6	1, 16
1 1/2	3600	143JM	EJMM3550T	822	L1	15.43	47	84	230/460	1.9	1, 30
	1800	145JM	EJMM3554T	881	L1	15.43	44	86.5	230/460	2.2	1, 30
		145JP	EJPM3554T	971	L1	18.50	41	86.5	230/460	2.2	1, 30
		145JM	JMM3554T	690	L1	15.43	43	84	208-230/460	2.4	1, 16
		145JP	JPM3554T	690	L1	18.50	44	84	208-230/460	2.4	1, 16
2	3600	145JM	EJMM3555T	882	L1	15.43	47	85.5	230/460	2.5	1, 30
		145JP	EJPM3555T	946	L1	18.49	41	85.5	230/460	2.5	1, 30
		145JM	JMM3555T	769	L1	15.43	47	84	208-230/460	2.6	1, 16
	1800	145JM	EJMM3558T	900	L1	15.43	50	86.5	230/460	2.9	1, 30
		145JP	EJPM3558T	1,018	L1	19.37	48	86.5	230/460	2.9	1, 30
		145JM	JMM3558T	721	L1	15.43	46	84	208-230/460	3.1	1, 16
3	3600	145JM	EJMM3559T	947	L1	16.31	54	86.5	230/460	3.6	1, 30
		145JP	EJPM3559T	1,022	L1	19.37	50	86.5	230/460	3.6	1, 30
		145JM	JMM3559T	862	L1	16.31	53	85.5	208-230/460	3.7	1, 16
		182JM	EJMM3610T	949	L1	16.81	56	86.5	230/460	3.6	1, 30
		182JP	EJPM3610T	1,138	L1	19.87	50	86.5	230/460	3.6	1, 30
	1800	182JM	JMM3610T	894	L1	16.84	56	85.5	208-230/460	3.7	1, 16
		182JP	JPM3610T	894	L1	19.87	58	85.5	208-230/460	3.7	1, 16
		182JM	EJMM3611T	1,044	L1	18.06	76	89.5	230/460	4.2	1, 30
		182JP	EJPM3611T	1,146	L1	21.11	70	89.5	230/460	4.2	1, 30
		182JM	JMM3611T	862	L1	18.18	66	87.5	208-230/460	4.2	1, 16
5	3600	182JP	JPM3611T	862	L1	21.28	67	87.5	208-230/460	4.2	1, 16
		184JM	EJMM3613T	1,125	L1	18.06	79	88.5	230/460	5.9	1, 30
		184JP	EJPM3613T	1,234	L1	21.11	81	88.5	230/460	5.6	1, 30
		184JM	JMM3613T	1,104	L1	18.06	74	87.5	208-230/460	5.8	1, 16
		184JP	JPM3613T	1,104	L1	21.43	77	87.5	208-230/460	5.8	1, 16
	1800	184JM	EJMM3615T	1,047	L1	19.56	93	89.5	230/460	6.7	1, 30
		184JP	EJPM3615T	1,175	L1	22.61	96	89.5	230/460	6.9	1, 30
		184JM	JMM3615T	964	L1	19.56	85	87.5	208-230/460	6.8	1, 16
		184JP	JPM3615T	964	L1	22.93	88	87.5	208-230/460	6.8	1, 16
		184JM	EJMM3616T	1,392	L1	19.56	101	89.5	230/460	8.4	1, 30
7 1/2	3600	184JP	EJPM3616T	1,546	L1	22.61	96	89.5	230/460	9.7	1, 30
		184JM	JMM3616T	1,249	L1	19.56	91	88.5	208-230/460	8.7	1, 16
		184JP	JPM3616T	1,249	L1	22.93	93	88.5	208-230/460	8.7	1, 16
		213JM	EJMM3709T	1,474	L1	19.76	125	89.5	230/460	9	1, 30
		213JP	EJPM3709T	1,799	L1	23.64	121	89.5	230/460	9	1, 30
		213TCZ	EWCM3709T	1,764	L1	23.45	96	89.5	230/460	9.7	1, 30
		213JM	JMM3709T	1,407	L1	20.40	98	88.5	208-230/460	8.7	1, 16
	213TCZ	WCM3709T	1,374	L1	23.45	100	88.5	208-230/460	8.7	1, 16	
	1800	213JM	EJMM3710T	1,593	L1	20.88	134	91.7	230/460	9.4	1, 30
		213JP	EJPM3710T	1,660	L1	24.79	129	91.7	230/460	10.7	1, 30
		213TCZ	EWCM3710T	1,625	L1	23.95	129	91.7	230/460	10.7	1, 30
		213JM	JMM3710T	1,233	L1	19.76	125	89.5	208-230/460	10.1	1, 16

(a) See notes on inside back flap. Cast Iron Frame
 Red Catalog Number indicates **NEW** Product.

Close-Coupled Pump, Three Phase, TEFC

Hp	RPM	NEMA Frame	Catalog Number	List Price	Mult. Sym.	"C" Dim.	Aprx. Wt. (lb)	Full Load Efficiency	Voltage	Full Load Amps	Notes (a)
10	3600	215JM	EJMM3711T	1,692	L1	19.76	130	90.2	230/460	11.8	1, 30
		215JP	EJPM3711T	1,819	L1	23.64	118	90.2	230/460	11.8	1, 30
		215TCZ	EWCM3711T	1,784	L1	22.82	118	90.2	230/460	11.8	1, 30
		215JP	JPM3711T	1,682	L1	23.64	128	89.5	208-230/460	12	16, 20
		215TCZ	WCM3711T	1,644	L1	22.82	126	89.5	208-230/460	12	16, 20
	1800	215JM	EJMM3714T	1,872	L1	22.39	165	91.7	230/460	12	1, 30
		215JP	EJPM3714T	1,872	L1	26.29	165	91.7	230/460	12	1, 30
		215TCZ	EWCM3714T	1,796	L1	25.45	187	91.7	230/460	12.6	1, 30
		215JM	JMM3714T	1,556	L1	20.88	137	89.5	208-230/460	13.5	1, 16
		215JP	JPM3714T	1,556	L1	24.79	146	89.5	208-230/460	13.5	1, 16
15	3600	215TCZ	WCM3714T	1,522	L1	23.95	136	89.5	208-230/460	13.5	1, 16
		215JM	EJMM3713T	2,549	L1	22.39	169	91	230/460	17	1, 30
		215JP	EJPM3713T	2,429	L1	26.29	169	91	230/460	17	1, 30
		215TCZ	EWCM3713T	2,394	L1	25.45	169	91	230/460	17	1, 30
		215JM	JMM3713T	2,216	L1	21.64	160	90.2	208-230/460	17.3	16, 20
	1800	215JP	JPM3713T	2,216	L1	25.54	160	90.2	208-230/460	17.3	16, 20
		215TCZ	WCM3713T	1,960	L1	24.70	160	90.2	208-230/460	17.3	16, 20
		254JM	EJMM2394T	3,091	L1	25.30	257	91	230/460	17.5	1, 30
		254JP	EJPM2394T	3,091	L1	28.16	260	91	230/460	17.8	1, 30
		254JM	JMM2394T	2,915	L1	23.07	225	90.2	208-230/460	17.2	1, 16
3600	254JP	JPM2394T	2,915	L1	25.95	225	90.2	208-230/460	17.2	1, 16	
	254JM	EJMM2333T	3,064	L1	25.30	265	92.4	230/460	18.5	1, 30	
	254JP	EJPM2333T	3,064	L1	28.16	265	92.4	230/460	18.5	1, 30	
	254JM	JMM2333T	2,842	L1	23.07	236	91	208-230/460	18.5	1, 16	
	254JP	JPM2333T	2,842	L1	25.95	236	91	208-230/460	18.5	1, 16	
20	3600	256JM	EJMM4106T	3,404	L1	25.30	281	91	230/460	23	1, 30
		256JP	EJPM4106T	3,404	L1	28.16	264	91	230/460	23	1, 30
		256JM	JMM4106T	3,208	L1	24.83	255	90.2	208-230/460	23	1, 16
		256JP	JPM4106T	3,208	L1	27.70	255	90.2	208-230/460	23	1, 16
	1800	256JM	EJMM2334T	3,457	L1	25.30	304	93	230/460	24	1, 30
		256JP	EJPM2334T	3,457	L1	28.16	300	93	230/460	24	1, 30
		256JM	JMM2334T	3,009	L1	24.82	245	91	230/460	25	16, 20, 30
25	3600	256JP	JPM2334T	3,009	L1	27.70	245	91	230/460	25	16, 20, 30
		284JM	EJMM4107T	3,955	L1	26.96	353	91.7	230/460	29	20, 30
		284JP	EJPM4107T	3,955	L1	29.84	349	91.7	230/460	29	20, 30
		284JM	JMM4107T	3,603	L1	26.96	342	91	230/460	28	1, 16, 30
	1800	284JP	JPM4107T	3,603	L1	29.84	333	91	230/460	28	1, 16, 30
		284JM	EJMM4103T	4,097	L1	28.64	387	93.6	230/460	30	1, 30
		284JP	EJPM4103T	4,097	L1	31.51	412	93.6	230/460	30	1, 30
		284JM	JMM4103T	3,516	L1	26.96	366	92.4	230/460	30	1, 16, 30
		284JP	JPM4103T	3,516	L1	29.84	356	92.4	230/460	30	1, 16, 30
		30	3600	286JM	EJMM4108T	5,439	L1	28.64	406	91.7	230/460
286JP	EJPM4108T			5,439	L1	31.51	405	91.7	230/460	35	1, 30
286JM	JMM4108T			4,716	L1	26.96	370	91	230/460	34	1, 16, 30
286JP	JPM4108T			4,716	L1	29.84	359	91	208-230/460	34	1, 16
1800	286JM		EJMM4104T	4,854	L1	28.64	422	93.6	230/460	36	1, 30
	286JP		EJPM4104T	4,854	L1	31.51	452	93.6	230/460	36	1, 30
	286JM		JMM4104T	4,333	L1	26.96	382	92.4	230/460	36	1, 16, 30
	286JP		JPM4104T	4,333	L1	29.84	386	92.4	230/460	36	1, 16, 30
40	3600	324JM	EJMM4109T	6,159	L1	30.64	487	92.4	230/460	45	1, 30
		324JP	EJPM4109T	6,159	L1	33.51	498	92.4	230/460	45	1, 30
		324JM	JMM4109T	5,661	L1	30.64	460	91.7	230/460	45	1, 16, 30
		324JP	JPM4109T	5,661	L1	33.51	468	91.7	230/460	45	1, 16, 30
	1800	324JM	EJMM4110T	6,310	L1	30.65	586	94.1	230/460	48	1, 30
		324JP	EJPM4110T	6,310	L1	33.41	602	94.1	230/460	48	1, 30
		324JM	JMM4110T	5,456	L1	30.64	486	93	230/460	47	1, 16, 30
		324JP	JPM4110T	5,456	L1	33.51	496	93	230/460	47	1, 16, 30

(a) See notes on inside back flap.

Cast Iron Frame

Red Catalog Number indicates **NEW** Product.

Close-Coupled Pump, Three Phase, TEFC

Hp	RPM	NEMA Frame	Catalog Number	List Price	Mult. Sym.	"C" Dim.	Aprx. Wt. (lb)	Full Load Efficiency	Voltage	Full Load Amps	Notes (a)
50	3600	326JM	EJMM4114T	7,453	L1	30.65	595	93	230/460	56	1, 30
		326JP	EJPM4114T	7,453	L1	33.41	604	93	230/460	56	1, 30
		326JM	JMM4114T	6,174	L1	30.64	507	92.4	230/460	56	1, 16, 30
		326JP	JPM4114T	6,174	L1	33.51	517	92.4	230/460	56	1, 16, 30
	1800	326JM	EJMM4115T	7,585	L1	30.65	624	94.5	230/460	58	1, 30
		326JP	EJPM4115T	7,585	L1	33.41	646	94.5	230/460	58	1, 30
		326JP	JPM4115T	6,396	L1	33.41	595	93	230/460	59	1, 16, 30
575 Volts											
1	1800	143JM	EJMM3546T-5	889	L1	15.43	38	85.5	575	1.2	1
		143JM	JMM3546T-5	657	L1	15.43	38	82.5	575	1.3	1, 16
1 1/2	3600	143JM	EJMM3550T-5	877	L1	15.41	38	84	575	1.5	
		143JM	JMM3550T-5	690	L1	15.41	39	82.5	575	1.6	16
	1800	145JM	EJMM3554T-5	971	L1	15.43	41	86.5	575	1.8	1
		145JM	JMM3554T-5	690	L1	15.43	41	84	575	1.9	1, 16
2	3600	145JM	EJMM3555T-5	946	L1	15.41	41	85.5	575	2	
		145JM	JMM3555T-5	769	L1	15.41	49	84	575	2.1	16
	1800	145JM	EJMM3558T-5	1,018	L1	15.43	45	86.5	575	2.3	1
3	3600	145JM	EJMM3559T-5	1,022	L1	16.29	50	86.5	575	2.9	1
		145JM	JMM3559T-5	862	L1	16.29	55	85.5	575	3	1, 16
		182JM	EJMM3610T-5	1,138	L1	16.69	63	86.5	575	2.9	
		182JM	JMM3610T-5	894	L1	16.69	68	85.5	575	2.8	16
5	3600	182JM	EJMM3611T-5	1,096	L1	18.06	70	89.5	575	3.3	1
		184JM	EJMM3613T-5	1,234	L1	18.06	74	88.5	575	4.7	1
	1800	184JM	JMM3613T-5	1,104	L1	18.06	78	87.5	575	4.8	1, 16
		184JM	EJMM3615T-5	1,175	L1	19.56	93	89.5	575	5.3	1
7 1/2	3600	184JM	JMM3615T-5	964	L1	18.06	81	87.5	575	5.5	1, 16, 35
		184JM	EJMM3616T-5	1,546	L1	19.56	96	89.5	575	6.8	1
		184JM	JMM3616T-5	1,249	L1	19.56	91	88.5	575	7	2, 16, 20
		213JM	EJMM3710T-5	1,660	L1	20.88	127	91.7	575	7.6	1, 35
10	3600	215JM	EJMM3711T-5	1,819	L1	19.76	118	90.2	575	9.5	20
		215JM	EJMM3714T-5	1,831	L1	22.38	165	91.7	575	9.6	1, 35
		215JM	JMM3714T-5	1,556	L1	20.88	137	89.5	575	10.8	1, 16, 35
15	3600	215JM	EJMM3713T-5	2,429	L1	22.38	169	91	575	13.4	1
		215JM	JMM3713T-5	2,216	L1	21.64	170	90.2	575	13.8	1, 16, 35
		254JM	EJMM2394T-5	3,234	L1	23.07	225	91	575	13.5	1, 35
		254JM	JMM2394T-5	2,915	L1	23.07	225	90.2	575	13.7	1, 16, 35
	1800	254JM	EJMM2333T-5	3,020	L1	25.30	268	92.4	575	14.6	1, 35
		254JM	JMM2333T-5	2,842	L1	23.07	236	91	575	15.2	1, 16, 35

(a) See notes on inside back flap.

Cast Iron Frame

Red Catalog Number indicates **NEW** Product.

General Information

Single Phase Motors

General Purpose Industrial Motors

Severe Duty Motors

Large AC Motors

Washdown Duty Motors

Explosion Proof Motors

Pump Motors

HVAC Motors

Farm Duty Motors

Close-Coupled Pump, Three Phase, TEFC, Footless

1 thru 20 Hp



Features:

- Oversize ball bearings for the pump industry
- Locked DE bearing to allow mounting in any configuration
- Designed for longevity with a 3 year warranty on premium efficient Super-E® Motors
- Suitable for Inverter use per NEMA MG1 Part 31.4.4.2

Applications:

- General Purpose Pumps
- Industrial Applications
- Commercial Pumps
- Food and Beverage
- Wastewater
- Agricultural
- Aggregate

Hp	RPM	NEMA Frame	Catalog Number	List Price	Mult. Sym.	"C" Dim.	Aprx. Wt. (lb)	Full Load Efficiency	Voltage	Full Load Amps	Notes (a)
230/460 Volts											
1	1800	143JM	VEJMM3546T	691	L1	14.43	38	85.5	230/460	1.5	1, 30
		143JM	VJMM3546T	670	L1	14.43	35	82.5	208-230/460	1.56	1, 16
1 1/2	1800	145JM	VEJMM3554T	729	L1	15.43	45	86.5	230/460	2.2	1, 30
		145JM	VJMM3554T	701	L1	15.43	40	84	208-230/460	2.4	1, 16
2	1800	145JM	VEJMM3558T	873	L1	15.43	44	86.5	230/460	2.9	1, 30
		145JM	VJMM3558T	733	L1	15.43	43	84	208-230/460	3.1	1, 16
3	1800	182JM	VEJMM3611T	996	L1	18.05	74	89.5	230/460	4.2	1, 30
		182JM	VJMM3611T	876	L1	18.18	61	87.5	208-230/460	4.2	1, 16
5	1800	184JM	VEJMM3615T	1,149	L1	19.55	90	89.5	230/460	6.7	1, 30
		184JM	VJMM3615T	981	L1	18.05	78	87.5	208-230/460	6.8	1, 16
7 1/2	1800	213JM	VEJMM3710T	1,682	L1	20.92	136	91.7	230/460	9.4	1, 30
		213JM	VJMM3710T	1,274	L1	19.76	115	89.5	208-230/460	10.1	1, 16
10	1800	215JM	VEJMM3714T	1,948	L1	22.40	165	91.7	230/460	12	1, 30
		215JM	VJMM3714T	1,573	L1	20.92	132	89.5	208-230/460	13.5	1, 16
15	1800	254JM	VEJMM2333T	3,297	L1	25.28	278	92.4	230/460	18.1	1, 30
		254JM	VJMM2333T	2,867	L1	21.82	236	91	208-230/460	18.5	1, 16
20	1800	256JM	VEJMM2334T	3,510	L1	25.28	303	93	230/460	24	1, 30
575 Volts											
1	1800	143JM	VEJMM3546T-5	889	L1	15.43	38	86.5	575	1.1	1
		143JM	VJMM3546T-5	670	L1	14.43	38	82.5	575	1.3	1, 16
1 1/2	1800	145JM	VEJMM3554T-5	971	L1	16.31	41	86.5	575	1.6	1
		145JM	VJMM3554T-5	701	L1	15.43	40	84	575	1.9	1, 16
2	1800	145JM	VEJMM3558T-5	1,018	L1	15.43	45	86.5	575	2.2	1
		145JM	VJMM3558T-5	733	L1	15.43	44	84	575	2.5	1, 16
3	1800	182JM	VEJMM3611T-5	1,146	L1	18.05	70	89.5	575	3.1	1
		182JM	VJMM3611T-5	876	L1	18.18	72	87.5	575	3.3	1, 16, 35
5	1800	184JM	VEJMM3615T-5	1,175	L1	19.55	93	89.5	575	5.3	1
7 1/2	1800	213JM	VEJMM3710T-5	1,660	L1	20.92	127	91.7	575	7.6	1, 35
		213JM	VJMM3710T-5	1,274	L1	19.79	115	89.5	575	8.1	1, 16, 35
10	1800	215JM	VEJMM3714T-5	1,831	L1	22.42	165	91.7	575	9.6	1, 35
		215JM	VJMM3714T-5	1,573	L1	20.92	136	89.5	575	10.8	1, 16, 35
15	1800	254JM	VEJMM2333T-5	3,020	L1	25.28	255	92.4	575	14.6	1, 35
		254JM	VJMM2333T-5	2,867	L1	21.82	236	91	575	15.2	1, 16, 35
20	1800	256JM	VEJMM2334T-5	3,510	L1	25.28	303	93	575	19.2	1, 35
		256JM	VJMM2334T-5	2,964	L1	25.28	276	91	575	19.1	1, 16

(a) See notes on inside back flap.

Cast Iron Frame

Red Catalog Number indicates **NEW** Product.

Close-Coupled Pump, Three Phase, ODP

1 thru 75 Hp



Features:

- Rodent screens to protect against trash debris
- Oversize ball bearings for the pump industry
- Locked DE bearing to allow mounting in any configuration
- Designed for longevity with a 3 year warranty on premium efficient Super-E® Motors
- Suitable for Inverter use per NEMA MG1 Part 31.4.4.2

Applications:

- General Purpose Pumps
- Industrial Applications
- Commercial Pumps
- Food and Beverage
- Wastewater
- Agricultural
- Aggregate

Hp	RPM	NEMA Frame	Catalog Number	List Price	Mult. Sym.	"C" Dim.	Aprx. Wt. (lb)	Full Load Efficiency	Voltage	Full Load Amps	Notes (a)	
Foot Mounted, 230/460												
1	1800	143JM	EJMM3116T	707	L1	13.75	38	85.5	230/460	1.5	1, 30	
		143JP	EJPM3116T	862	L1	16.81	38	85.5	230/460	1.5	1, 30	
		143JM	JMM3116T	607	L1	13.75	35	82.5	208-230/460	1.56	16	
1 1/2	3600	143JM	EJMM3120T	763	L1	13.75	34	84	230/460	2	1, 30	
	1800	145JM	EJMM3154T	765	L1	13.75	38	86.5	230/460	2.2	1, 30	
			145JP	EJPM3154T	894	L1	16.81	37	86.5	230/460	2.2	1, 30
2	3600	145JM	EJMM3155T	846	L1	13.75	44	85.5	230/460	2.5	1, 30	
		145JM	JMM3155T	700	L1	13.75	42	84	208-230/460	2.6	16	
		145JM	EJMM3157T	837	L1	14.25	44	86.5	230/460	2.9	1, 30	
	1800	145JP	EJPM3157T	947	L1	17.31	43	86.5	230/460	2.9	1, 30	
			145JM	JMM3157T	685	L1	13.75	42	84	208-230/460	3.15	16
3	3600	145JM	EJMM3158T	950	L1	15.13	49	85.5	230/460	3.8	1, 30	
		145JP	EJPM3158T	878	L1	17.31	48	85.5	230/460	3.8	1, 30	
		145JM	JMM3158T	742	L1	14.25	48	84	208-230/460	3.7	16	
	1800	182JM	EJMM3211T	926	L1	16.50	72	89.5	230/460	4.2	1, 30	
			182JP	EJPM3211T	1,114	L1	19.56	74	89.5	230/460	4.2	1, 30
			182JM	JMM3211T	735	L1	16.25	63	86.5	208-230/460	4.1	1, 16
		182JP	JPM3211T	735	L1	19.31	61	86.5	208-230/460	4.1	1, 16	
5	3600	182JM	EJMM3212T	1,132	L1	15.12	64	86.5	230/460	6	1, 30	
		182JP	EJPM3212T	1,050	L1	18.18	63	86.5	230/460	6	1, 30	
		182TCZ	EWCM3212T	1,027	L1	18.32	63	86.5	230/460	6	1, 30	
	1800	182JM	JMM3212T	834	L1	15.62	62	85.5	208-230/460	6.1	16	
			182JP	JPM3212T	834	L1	18.69	65	85.5	208-230/460	6.1	16
			182TCZ	WCM3212T	818	L1	19.13	69	85.5	208-230/460	6.1	1, 16
	1200	184JM	EJMM3218T	1,047	L1	18.00	87	89.5	230/460	6.6	1, 30	
			184JP	EJPM3218T	1,196	L1	21.06	92	89.5	230/460	6.6	1, 30
			184JM	JMM3218T	795	L1	16.50	73	87.5	208-230/460	7.2	1, 16
	1200	184JP	JPM3218T	795	L1	19.56	74	87.5	208-230/460	7.2	1, 16	
			215JM	EJMM3309T	1,785	L1	19.31	141	89.5	230/460	7.4	1, 30
		215JM	JMM3309T	1,276	L1	18.19	124	87.5	208-230/460	7.6	16	
7 1/2	3600	184JM	EJMM3219T	1,338	L1	16.50	78	88.5	230/460	8.6	1, 30	
		184JP	EJPM3219T	1,515	L1	19.56	77	88.5	230/460	8.6	1, 30	
		184TCZ	EWCM3219T	1,492	L1	19.69	77	88.5	230/460	8.6	1, 30	
	1800	184JM	JMM3219T	1,020	L1	16.50	71	87.5	208-230/460	8.7	1, 16	
			184JP	JPM3219T	1,020	L1	19.56	73	87.5	208-230/460	8.7	1, 16
			184TCZ	WCM3219T	995	L1	19.69	83	87.5	208-230/460	8.7	1, 16
	1200	213JM	EJMM3311T	1,570	L1	18.19	120	91	230/460	9.7	1, 30	
			213JP	EJPM3311T	1,715	L1	20.94	130	91	230/460	9.3	1, 30
			213JM	JMM3311T	1,155	L1	18.84	106	88.5	208-230/460	9.9	1, 16
	1200	213JP	JPM3311T	1,155	L1	22.07	124	88.5	208-230/460	10.1	1, 16	
			254JM	EJMM2506T	2,453	L1	24.69	248	90.2	230/460	11	1, 30
		254JM	JMM2506T	1,610	L1	21.81	160	88.5	208-230/460	11.2	1, 16	

(a) See notes on inside back flap.
Red Catalog Number indicates **NEW** Product.

Close-Coupled Pump, Three Phase, ODP

Hp	RPM	NEMA Frame	Catalog Number	List Price	Mult. Sym.	"C" Dim.	Aprx. Wt. (lb)	Full Load Efficiency	Voltage	Full Load Amps	Notes (a)
10	3600	213JM	EJMM3312T	1,723	L1	18.19	120	89.5	230/460	12	1, 30
		213JP	EJPM3312T	1,723	L1	22.07	122	89.5	230/460	12	1, 30
		213TCZ	EWCM3312T	1,739	L1	21.25	121	89.5	230/460	12	1, 30
		213JM	JMM3312T	1,387	L1	18.19	116	88.5	208-230/460	12.4	1, 16
		213JP	JPM3312T	1,387	L1	22.07	120	88.5	208-230/460	12.4	1, 16
	213TCZ	WCM3312T	1,356	L1	21.25	114	88.5	208-230/460	12.4	16	
	1800	215JM	EJMM3313T	1,698	L1	19.31	136	91.7	230/460	12.5	1, 30
		215JP	EJPM3313T	1,698	L1	23.20	138	91.7	230/460	12.5	1, 30
		215JM	JMM3313T	1,372	L1	18.19	121	89.5	208-230/460	13.4	1, 16
		215JP	JPM3313T	1,372	L1	22.10	127	89.5	208-230/460	13.4	1, 16
1200	256JM	EJMM2511T	2,977	L1	24.69	255	91.7	230/460	14.3	1, 30	
15	3600	215JM	EJMM3314T	2,218	L1	18.19	131	90.2	230/460	17.5	1, 30
		215JP	EJPM3314T	2,218	L1	22.07	134	90.2	230/460	17.5	1, 30
		215TCZ	EWCM3314T	2,344	L1	21.25	131	90.2	230/460	17.5	1, 30
		215JM	JMM3314T	1,864	L1	18.19	126	89.5	208-230/460	18	1, 16
		215JP	JPM3314T	1,864	L1	22.07	131	89.5	208-230/460	18	1, 16
	215TCZ	WCM3314T	1,830	L1	21.25	137	89.5	208-230/460	18	1, 16	
	1800	254JM	EJMM2513T	2,511	L1	23.19	214	93	230/460	17.7	1, 30
		254JP	EJPM2513T	2,511	L1	26.06	219	93	230/460	17.7	1, 30
		254JM	JMM2513T	2,049	L1	21.06	155	91	208-230/460	19	1, 16
		254JP	JPM2513T	2,049	L1	23.94	175	91	208-230/460	19	1, 16
1200	284JM	EJMM2524T	3,907	L1	24.69	300	91.7	230/460	20.5	1, 30	
	284JM	JMM2524T	2,602	L1	27.56	323	90.2	230/460	21.3	16, 30	
20	3600	254JM	EJMM2514T	2,793	L1	23.19	195	91	230/460	23.5	1, 30
		254JP	EJPM2514T	2,793	L1	26.06	220	91	230/460	23.5	1, 30
		254JM	JMM2514T	2,461	L1	23.19	195	90.2	208-230/460	24	16
		254JP	JPM2514T	2,461	L1	26.06	206	90.2	230/460	24	16, 30
	1800	256JM	EJMM2515T	3,008	L1	23.19	248	93	230/460	23.5	1, 30
		256JP	EJPM2515T	3,008	L1	26.06	236	93	230/460	23.5	1, 30
		256JM	JMM2515T	2,484	L1	23.56	197	91	230/460	24.8	1, 16, 30
		256JP	JPM2515T	2,484	L1	26.44	197	91	230/460	24.8	1, 16, 30
		256JM	EJMM2516T	3,310	L1	23.19	219	91.7	230/460	28	1, 30
		256JP	EJPM2516T	3,310	L1	26.06	230	91.7	230/460	28	1, 30
25	3600	256JM	JMM2516T	3,049	L1	23.19	221	91	230/460	29	16, 30
		256JP	JPM2516T	3,049	L1	26.06	219	91	230/460	29	16, 30
		284JM	EJMM2531T	3,578	L1	25.94	317	93.6	230/460	30	1, 30
		284JP	EJPM2531T	3,578	L1	28.81	335	93.6	230/460	30	1, 30
	1800	284JM	JMM2531T	3,078	L1	25.06	281	91.7	230/460	31	16, 30
		284JP	JPM2531T	3,078	L1	27.94	282	91.7	230/460	31	16, 30
30	3600	284JM	EJMM2534T	4,207	L1	26.56	309	91.7	230/460	33	1, 30
		284JP	EJPM2534T	4,207	L1	29.44	310	91.7	230/460	33	1, 30
		284JM	JMM2534T	3,127	L1	25.06	267	91	230/460	35	16, 30
		284JP	JPM2534T	3,127	L1	27.94	270	91	230/460	35	16, 30
	1800	286JM	EJMM2535T	4,286	L1	25.94	359	94.1	230/460	35	1, 30
		286JP	EJPM2535T	4,286	L1	28.81	370	94.1	230/460	35	1, 30
		286JM	JMM2535T	3,529	L1	26.56	299	92.4	230/460	36	16, 30
		286JP	JPM2535T	3,529	L1	29.44	320	92.4	230/460	36	16, 30
40	3600	286JM	EJMM2538T	5,065	L1	26.56	328	92.4	230/460	45	1, 30
		286JP	EJPM2538T	5,065	L1	29.44	329	92.4	230/460	45	1, 30
		286JM	JMM2538T	4,593	L1	26.56	307	91.7	230/460	45	16, 30
		286JP	JPM2538T	4,593	L1	29.44	308	91.7	230/460	45	16, 30
	1800	324JM	EJMM2539T	5,210	L1	27.44	417	94.1	230/460	49	1, 30
		324JP	EJPM2539T	5,210	L1	30.31	378	94.1	230/460	47	1, 30
		324JM	JMM2539T	4,575	L1	26.44	375	93	230/460	49	1, 16, 30
		324JP	JPM2539T	4,575	L1	29.31	378	93	230/460	49	1, 16, 30

(a) See notes on inside back flap.
 Red Catalog Number indicates **NEW** Product.

Close-Coupled Pump, Three Phase, ODP

Hp	RPM	NEMA Frame	Catalog Number	List Price	Mult. Sym.	"C" Dim.	Aprx. Wt. (lb)	Full Load Efficiency	Voltage	Full Load Amps	Notes (a)
50	3600	324JM	EJMM2542T	5,710	L1	26.94	421	93	230/460	58	1, 30
		324JP	EJPM2542T	5,710	L1	29.81	424	93	230/460	58	1, 30
		324JM	JMM2542T	4,997	L1	26.44	368	92.4	230/460	58	16, 30
		324JP	JPM2542T	4,997	L1	29.31	376	92.4	230/460	58	16, 30
	1800	326JM	EJMM2543T	6,025	L1	27.94	491	94.5	230/460	57	1, 30
		326JP	EJPM2543T	6,025	L1	30.81	500	94.5	230/460	57	1, 30
		326JM	JMM2543T	5,205	L1	27.44	406	93	230/460	62	16, 30
		326JP	JPM2543T	5,205	L1	30.31	415	93	230/460	62	16, 30
60	3600	326JM	EJMM2546T	7,095	L1	26.94	472	93.6	230/460	68	1, 30
		326JM	JMM2546T	6,220	L1	26.44	401	93	230/460	68	16, 30
	1800	364JP	EJPM2547T	7,451	L1	33.19	565	95	230/460	68	1, 30
		364JP	JPM2547T	5,912	L1	30.44	507	93.6	230/460	72	16, 30
75	1800	365JP	EJPM2551T	8,878	L1	36.22	597	95	230/460	87	1, 30
		365JP	JPM2551T	7,764	L1	32.44	586	94.1	230/460	88	16, 30
Foot Mounted, 575 Volts											
3	3600	145JM	EJMM3158T-5	878	L1	14.25	48	85.5	575	3	
	1800	182JM	EJMM3211T-5	1,114	L1	16.50	74	89.5	575	3.1	1
		182JM	JMM3211T-5	735	L1	17.04	67	86.5	575	3.3	1, 16
5	3600	182JM	EJMM3212T-5	1,050	L1	16.50	63	90.2	575	4.5	
	1800	184JM	EJMM3218T-5	1,196	L1	18.00	92	89.5	575	5.2	1
		184JM	JMM3218T-5	795	L1	16.50	73	87.5	575	5.7	1, 16, 35
7 1/2	3600	184JM	EJMM3219T-5	1,515	L1	16.50	77	88.5	575	6.9	1
		184JM	JMM3219T-5	1,020	L1	16.50	73	87.5	575	7	1, 16
	1800	213JM	EJMM3311T-5	1,715	L1	18.19	120	91	575	7.4	1, 35
213JM		JMM3311T-5	1,155	L1	18.84	95	88.5	575	7.9	1, 16, 35	
10	3600	213JM	EJMM3312T-5	1,774	L1	19.31	137	91.7	575	9.2	
	1800	215JM	EJMM3313T-5	2,006	L1	18.19	132	91.7	575	10	1
15	3600	215JM	EJMM3314T-5	2,379	L1	19.31	131	90.2	575	14	1
Footless, 230/460											
1	1800	143JM	VEJMM3116T	707	L1	14.43	37	85.5	230/460	1.5	1, 30
1 1/2	1800	145JM	VEJMM3154T	758	L1	15.43	43	86.5	230/460	2.2	1, 30
2	1800	145JM	VEJMM3157T	829	L1	15.43	46	86.5	230/460	2.9	1, 30
		145JM	VJMM3157T	680	L1	15.43	42	84	208-230/460	3.15	1, 16
3	3600	145JM	VEJMM3158T	878	L1	14.25	48	85.5	230/460	3.8	1, 30
	1800	184JM	VEJMM3211T	910	L1	18.06	74	89.5	230/460	4.2	1, 30
		182JM	VJMM3211T	742	L1	18.22	62	86.5	208-230/460	4.1	1, 16
5	3600	182JM	VEJMM3212T	1,050	L1	16.66	63	86.5	230/460	6	1, 30
		182JM	VJMM3212T	874	L1	16.84	60	85.5	208-230/460	6.1	16
	1800	184JM	VEJMM3218T	1,030	L1	19.56	84	89.5	230/460	6.6	1, 30
		184JM	VJMM3218T	793	L1	18.06	73	87.5	208-230/460	7.2	1, 16
7 1/2	3600	184JM	VEJMM3219T	1,515	L1	18.04	77	88.5	230/460	8.6	1, 30
		184JM	VJMM3219T	1,029	L1	18.06	74	87.5	208-230/460	8.7	1, 16
	1800	213JM	VEJMM3311T	1,554	L1	19.78	125	91	230/460	9.6	1, 30
		213JM	VJMM3311T	1,158	L1	19.78	122	88.5	208-230/460	10.1	1, 16
10	3600	213JM	VEJMM3312T	1,774	L1	18.19	121	89.5	230/460	12	1, 30
		213JM	VJMM3312T	1,291	L1	18.19	110	88.5	208-230/460	12.4	1, 16
	1800	215JM	VEJMM3313T	1,682	L1	22.41	165	91.7	230/460	12	1, 30
		215JM	VJMM3313T	1,356	L1	19.78	119	89.5	208-230/460	13.4	1, 16
15	3600	215JM	VEJMM3314T	2,379	L1	18.69	131	90.2	230/460	17.5	1, 30

(a) See notes on inside back flap.
Red Catalog Number indicates **NEW** Product.

**Washdown Close-Coupled Pump, Three Phase,
Totally Enclosed**

1 thru 15 Hp

IP55



Features:

- Oversized, double sealed ball bearings
- Locked DE bearing
- Neoprene gaskets
- Lip and V-ring seal on DE
- NEMA Premium® efficiency
- Electrostatically applied epoxy finish
- 300 series stainless steel hardware and shaft extension

Applications:

- Water pumps commercial and industrial
- Food processing
- Wet environment

Hp	RPM	NEMA Frame	Enclosure	Catalog Number	List Price	Mult. Sym.	"C" Dim.	Aprx. Wt. (lb)	Full Load Efficiency	Voltage	Full Load Amps	Notes (a)
1	1800	143JM	TENV	JMEWDM3546T	1,141	WD	14.25	39	85.5	230/460	1.5	30
1 1/2	3600	143JM	TENV	JMEWDM3550T	1,147	WD	14.25	48	85.5	230/460	2	1, 30
	1800	145JM	TENV	JMEWDM3554T	1,192	WD	15.13	50	86.5	230/460	2.1	1, 30
2	3600	145JM	TEFC	JMEWDM3555T	1,252	WD	15.43	47	85.5	230/460	2.5	1, 30
	1800	145JM	TEFC	JMEWDM3558T	1,305	WD	16.31	48	86.5	230/460	2.9	1, 30
3	3600	145JM	TEFC	JMEWDM3559T	1,529	WD	16.31	50	86.5	230/460	3.6	1, 30
	1800	182JM	TEFC	JMEWDM3611T	1,712	WD	18.05	70	89.5	230/460	4.2	1, 30
5	3600	184JM	TEFC	JMEWDM3613T	2,018	WD	18.05	81	88.5	230/460	5.6	1, 30
	1800	184JM	TEFC	JMEWDM3615T	1,928	WD	19.55	93	89.5	230/460	6.7	1, 30
7 1/2	3600	184JM	TEFC	JMEWDM3616T	2,391	WD	19.55	96	89.5	230/460	8.4	1, 30
	1800	213JM	TEFC	JMEWDM3710T	2,423	WD	16.66	127	91.7	230/460	9.4	1, 30
10	3600	215JM	TEFC	JMEWDM3711T	3,087	WD	16.66	130	90.2	230/460	10.8	1, 30
	1800	215JM	TEFC	JMEWDM3714T	2,576	WD	18.16	165	91.7	230/460	12	1, 30
15	3600	215JM	TEFC	JMEWDM3713T	3,851	WD	21.64	169	91	230/460	17	1, 30
	1800	254JM	TEFC	JMEWDM23933T	5,323	WD	25.06	252	92.4	230/460	18	1, 30
20	3600	256JM	TEFC	JMEWDM41906T	6,180	WD	25.06	255	91	230/460	23	1, 30
	1800	256JM	TEFC	JMEWDM23934T	6,151	WD	25.06	275	93	230/460	24	1, 30

(a) See notes on inside back flap.

Red Catalog Number indicates **NEW** Product.

General Information

Single Phase Motors

General Purpose Industrial Motors

Severe Duty Motors

Large AC Motors

Washdown Duty Motors

Explosion Proof Motors

Pump Motors

HVAC Motors

Farm Duty Motors

BALDOR • RELIANCE**Pump Motors****SSE Super-E Stainless Steel, Close-Coupled Pump,
Three Phase, Totally Enclosed, Encapsulated****1 thru 10 Hp****IP56** **IP69K**
for Water**Features:**

- 300 series stainless steel motor frame, endplates, conduit boxes, shaft and base
- Endplate rabbets with O-ring seals
- Epoxy encapsulated windings
- Sealed ball bearings
- Laser etched nameplate
- NEMA Premium® efficiency
- 3 year warranty

Applications:

- Water pumps commercial and industrial
- Food processing
- Pressure washed environment

Hp	RPM	NEMA Frame	Enclosure	Catalog Number	List Price	Mult. Sym.	"C" Dim.	Aprx. Wt. (lb)	Full Load Efficiency	Voltage	Full Load Amps	Notes (a)
1	1800	143JM	TENV	JMSSEWDM3546T	1,805	WD	14.94	62	87.5	208-230/460	1.5	
1 1/2	3600	143JM	TENV	JMSSEWDM3550T	1,809	WD	15.82	68	85.5	208-230/460	1.8	
	1800	145JM	TEFC	JMSSEWDM3554T	1,820	WD	16.96	69	88.5	208-230/460	2.2	
2	3600	145JM	TEFC	JMSSEWDM3555T	2,138	WD	16.96	72	86.5	208-230/460	2.5	
	1800	145JM	TEFC	JMSSEWDM3558T	2,168	WD	18.34	74	88.5	208-230/460	2.7	
3	3600	145JM	TEFC	JMSSEWDM3559T	2,568	WD	18.34	83	86.5	208-230/460	3.7	
	1800	182JM	TEFC	JMSSEWDM3611T	2,696	WD	19.73	108	89.5	230/460	4.2	30
5	3600	184JM	TEFC	JMSSEWDM3613T	2,904	WD	18.23	104	89.5	208-230/460	5.6	
	1800	184JM	TEFC	JMSSEWDM3615T	2,924	WD	19.73	121	89.5	208-230/460	6.5	
7 1/2	3600	213JM	TEFC	JMSSEWDM3709T	3,423	WD	21.56	184	91	208-230/460	8.3	
	1800	213JM	TEFC	JMSSEWDM3710T	3,487	WD	22.75	135	91.7	208-230/460	9.5	
10	3600	215JM	TEFC	JMSSEWDM3711T	3,838	WD	22.75	154	91.7	208-230/460	10.6	
	1800	215JM	TEFC	JMSSEWDM3714T	4,049	WD	24.19	187	92.4	208-230/460	12.5	

(a) See notes on inside back flap.

P-Base Vertical Solid Shaft Pump, Three Phase, TEFC

3 thru 75 Hp



Features:

- Vertical lifting provisions for ease of installation
- Severe Duty construction for harsh environments
- Corrosion resistant epoxy finish
- Stainless steel nameplates and seals

Applications:

- Normal, Medium, and High thrust Applications
- Severe Duty Applications
- Harsh Environments
- Petro Chemical
- Pulp and Paper
- Wastewater
- Aggregate

Hp	RPM	NEMA Frame	Catalog Number	List Price	Mult. Sym.	"C" Dim.	Aprx. Wt. (lb)	Full Load Efficiency	Voltage	Full Load Amps	Notes (a)
Normal Thrust											
3	3600	182HP	VHECP3660T	2,394	SD	22.18	120	89.5	230/460	3.5	1, 30
	1800	182HP	VHECP3661T	2,144	SD	22.18	129	89.5	230/460	4.1	1, 30
5	3600	184HP	VHECP3663T	3,092	SD	22.18	99	90.2	230/460	5.7	1, 30
	1800	184HP	VHECP3665T	2,855	SD	22.18	141	89.5	230/460	6.6	1, 30
7 1/2	3600	213HP	VHECP3769T	3,661	SD	22.51	173	91	230/460	8.6	1, 30
	1800	213HP	VHECP3770T	3,543	SD	22.51	170	91.7	230/460	9.5	1, 30
10	3600	215HP	VHECP3771T	3,818	SD	22.51	203	92.4	230/460	11	1, 30
	1800	215HP	VHECP3774T	3,975	SD	22.51	231	92.4	230/460	12.5	1, 30
15	3600	254HP	VHECP2394T	4,401	SD	25.73	296	91.7	230/460	17.2	1, 30
	1800	254HP	VHECP2333T	4,562	SD	25.72	316	92.4	230/460	18.1	1, 30
20	3600	256HP	VHECP4106T	4,786	SD	25.73	325	92.4	230/460	23	1, 30
	1800	256HP	VHECP2334T	5,181	SD	25.73	337	93	230/460	24	1, 30
25	3600	284HP	VHECP4107T	5,089	SD	25.72	337	93	230/460	28	1, 30
	1800	284HP	VHECP4103T	5,780	SD	30.69	518	93.6	230/460	30	1, 30
30	3600	286HP	VHECP4108T	5,604	SD	25.72	361	93	230/460	33	1, 30
	1800	286HP	VHECP4104T	6,486	SD	30.69	563	94.1	230/460	36	1, 30
40	3600	324HP	VHECP4109T	7,844	SD	34.72	600	93.6	230/460	45	1, 30
	1800	324HP	VHECP4110T	7,335	SD	34.72	650	94.5	230/460	46	1, 30
50	3600	326HP	VHECP4114T	9,612	SD	34.72	668	93	230/460	56	1, 30
	1800	326HP	VHECP4115T	10,362	SD	34.72	764	94.5	230/460	58	1, 30
60	3600	364HP	VHECP4310T	12,280	SD	35.36	959	95	230/460	65.1	1, 30
	1800	364HP	VHECP4314T	12,819	SD	35.36	969	95	230/460	68	1, 30
75	3600	365HP	VHECP4313T	15,342	SD	35.36	1042	94.5	230/460	80.7	1, 30
	1800	365HP	VHECP4316T	15,611	SD	35.36	1008	95.4	230/460	85.9	1, 30
Medium Thrust											
3	3600	182LP	VLECP3660T	1,752	SD	22.18	99	88.5	230/460	3.4	1
		182LP	VLCP3660T	2,292	SD	22.18	83	85.5	208-230/460	3.7	1, 16
	1800	182LP	VLECP3661T	1,783	SD	22.18	105	89.5	230/460	4.1	1
5	3600	184LP	VLECP3663T	2,005	SD	22.18	105	90.2	230/460	5.7	1
		184LP	VLECP3665T	1,809	SD	22.18	119	89.5	230/460	6.6	1
	1800	184LP	VLCP3665T	2,730	SD	22.18	131	87.5	208-230/460	6.9	1, 16
7 1/2	3600	213LP	VLECP3769T	2,348	SD	22.51	169	91	230/460	8.6	1
	1800	213LP	VLECP3770T	2,291	SD	22.51	170	91.7	230/460	9.5	1
10	3600	215LP	VLECP3771T	2,617	SD	22.51	182	92.4	230/460	11	1
		215LP	VLCP3771T	3,654	SD	22.51	171	89.5	208-230/460	12	1, 16
	1800	215LP	VLECP3774T	2,474	SD	22.51	231	92.4	230/460	12.5	1
		215LP	VLCP3774T	3,802	SD	22.51	169	89.5	208-230/460	13	1, 16
15	3600	254LP	VLECP2394T	4,028	SD	25.73	225	91	230/460	17	1
		254LP	VLECP2333T	3,814	SD	25.73	268	92.4	230/460	18.1	1
	1800	254LP	VLCP2333T	4,364	SD	25.54	236	91	208-230/460	18.5	1, 16

(a) See notes on inside back flap.

Cast Iron Frame

Red Catalog Number indicates **NEW** Product.

P-Base Vertical Solid Shaft Pump, Three Phase, TEFC

Hp	RPM	NEMA Frame	Catalog Number	List Price	Mult. Sym.	"C" Dim.	Aprx. Wt. (lb)	Full Load Efficiency	Voltage	Full Load Amps	Notes (a)
20	3600	256LP	VLECP4106T	4,274	SD	25.73	265	92.4	230/460	22	1
		256LP	VLCP4106T	4,596	SD	25.72	338	90.2	230/460	23	1, 16
	1800	256LP	VLECP2334T	4,304	SD	25.73	303	93	230/460	24	1
		256LP	VLCP2334T	4,953	SD	25.72	307	91	230/460	24	1, 16, 30
25	3600	284LP	VLECP4107T	5,747	SD	32.44	396	91.7	230/460	28	1
		284LP	VLCP4107T	4,868	SD	27.47	372	91	230/460	28	1, 16, 30
	1800	286LP	VLECP4103T	5,795	SD	32.44	420	93.6	230/460	30	1
		286LP	VLCP4103T	5,527	SD	27.47	384	92.4	230/460	30	1, 16, 30
30	3600	286LP	VLECP4108T	6,426	SD	32.44	446	91.7	230/460	34	1
		286LP	VLCP4108T	5,358	SD	27.47	383	91	208-230/460	34	1, 16
	1800	286LP	VLECP4104T	6,476	SD	32.44	460	94.1	230/460	36	1
40	3600	324LP	VLECP4109T	8,585	SD	34.72	528	93.6	230/460	45	1
		324LP	VLECP4110T	8,381	SD	34.72	600	94.5	230/460	46	1
	1800	324LP	VLCP4110T	7,015	SD	34.72	638	93	230/460	47	1, 16, 30
High Thrust											
50	3600	326VP	VPECP4114T	6,429	SD	34.71	587	93	230/460	56	1
		326VP	VPCP4114T	9,191	SD	34.71	646	92.4	208-230/460	57	1, 16
	1800	326VP	VPECP4115T	6,199	SD	34.71	700	94.5	230/460	58	1
		326VP	VPCP4115T	9,907	SD	34.71	660	93	230/460	59	1, 16, 30
60	3600	364VP	VPECP4310T	9,032	SD	37.25	999	95	230/460	65.1	1
		364VP	VPECP4314T	8,919	SD	37.25	910	95	230/460	68	1
	1800	364VP	VPCP4314T	11,035	SD	37.25	933	93.6	230/460	73.4	1, 16, 30
75	3600	365VP	VPECP4313T	10,507	SD	37.25	1005	94.5	230/460	80.7	1
		365VP	VPCP4313T	13,203	SD	37.25	982	93	230/460	87.9	1, 16, 30
	1800	365VP	VPECP4316T	10,429	SD	37.25	965	95.4	230/460	85.9	1
		365VP	VPCP4316T	13,434	SD	37.25	1010	94.1	230/460	87	1, 16, 30

(a) See notes on inside back flap.
 ■ Cast Iron Frame
 Red Catalog Number indicates **NEW** Product.

General Information
 Single Phase Motors
 General Purpose Industrial Motors
 Severe Duty Motors
 Large AC Motors
 Washdown Duty Motors
 Explosion Proof Motors
 Pump Motors
 HVAC Motors
 Farm Duty Motors

P-Base Vertical Solid Shaft Pump, Three Phase, ODP

3 thru 60 Hp



Features:

- Safeguard drip cover
- Cast iron construction for harsh environments
- Vertical lifting provisions for ease of installation
- Stainless steel nameplates
- Corrosion resistant epoxy finish

Applications:

- Normal Thrust Applications
- Severe Duty Applications
- Harsh Environments
- Petro Chemical
- Pulp and Paper
- Wastewater
- Aggregate

Hp	RPM	NEMA Frame	Catalog Number	List Price	Mult. Sym.	"C" Dim.	Aprx. Wt. (lb)	Full Load Efficiency	Voltage	Full Load Amps	Notes (a)
3	3600	182HP	VHEM3210T	1,069	L1	21.33	61	86.5	230/460	3.8	1, 17, 30
		182HP	VHEM3211T	1,200	L1	21.33	100	89.5	230/460	4.2	1, 17, 30
	1800	182HP	VHM3211T	1,861	L1	21.33	96	86.5	208-230/460	4.2	1, 16, 17
5	3600	184HP	VHEM3212T	1,136	L1	21.33	95	86.5	230/460	5.6	1, 17, 30
		184HP	VHM3212T	2,686	L1	21.33	99	85.5	208-230/460	5.7	1, 16, 17
	1800	184HP	VHEM3218T	1,282	L1	21.33	119	89.5	230/460	6.6	1, 17, 30
		184HP	VHM3218T	2,480	L1	21.33	105	87.5	208-230/460	6.9	1, 16, 17
		184HP	VHEM3219T	1,601	L1	21.33	122	88.5	230/460	8.4	1, 17, 30, 35
7 1/2	3600	184HP	VHM3219T	3,181	L1	21.33	158	87.5	208-230/460	8.5	1, 16, 17, 35
		213HP	VHEM3311T	1,815	L1	23.73	173	91	230/460	10.8	1, 17, 30
	1800	213HP	VHM3311T	3,078	L1	23.73	169	88.5	208-230/460	10.7	1, 16, 17
		213HP	VHEM3312T	1,874	L1	23.73	164	89.5	230/460	11.2	1, 17, 30
10	3600	215HP	VHEM3313T	2,106	L1	23.73	231	91.7	230/460	12.9	1, 17, 30
		215HP	VHM3313T	3,454	L1	23.73	165	89.5	208-230/460	13	1, 16, 17
	1800	215HP	VHEM3314T	2,479	L1	23.73	203	90.2	230/460	16.9	1, 17, 30
254HP		VHEM2513T	3,172	L1	26.74	360	93	230/460	18.2	1, 17, 30	
15	3600	254HP	VHM2513T	3,632	L1	26.74	337	91	208-230/460	18.1	1, 16, 17
		254HP	VHEM2514T	3,207	L1	26.73	229	91	230/460	23	1, 17, 30
		254HP	VHM2514T	3,812	L1	26.73	310	90.2	230/460	23.5	1, 16, 17, 30
	1800	256HP	VHEM2515T	3,402	L1	26.73	283	93	230/460	24	1, 17, 30
		256HP	VHM2515T	4,125	L1	25.81	334	91	230/460	25	1, 16, 17, 30
25	3600	256HP	VHEM2516T	3,689	L1	26.73	283	91.7	230/460	29	1, 17, 30
		256HP	VHM2516T	4,055	L1	26.73	333	91	230/460	29	1, 16, 17, 30
		284HP	VHEM2531T	4,143	L1	29.93	420	93.6	230/460	31	1, 17, 30
	1800	284HP	VHM2531T	4,602	L1	29.93	442	92.4	230/460	30	1, 16, 17, 30
		284HP	VHEM2534T	4,381	L1	29.93	385	91.7	230/460	33	1, 17, 30
		284HP	VHM2534T	4,461	L1	26.74	450	91	230/460	34	1, 16, 17, 30
30	3600	286HP	VHEM2535T	4,439	L1	29.93	460	94.1	230/460	36	1, 17, 30
		286HP	VHM2535T	5,168	L1	29.93	462	92.4	230/460	38.2	1, 16, 17, 30
		286HP	VHEM2538T	5,362	L1	29.93	410	92.4	230/460	46	1, 17, 30
	1800	286HP	VHM2538T	6,437	L1	29.93	486	91.7	230/460	45	1, 16, 17, 30
		324HP	VHEM2539T	5,846	L1	33.87	600	94.1	230/460	48	1, 17, 30
40	3600	324HP	VHM2539T	6,020	L1	33.87	660	93	230/460	47	1, 16, 17, 30
		324HP	VHEM2542T	6,106	L1	33.87	500	93	230/460	58	1, 17, 30
		324HP	VHM2542T	7,888	L1	33.87	680	92.4	208-230/460	57	1, 16, 17
	1800	326HP	VHEM2543T	6,313	L1	33.87	700	94.5	230/460	58	1, 17, 30
		326HP	VHM2543T	8,504	L1	33.87	682	93	230/460	59	1, 16, 17, 30
		326HP	VHEM2546T	7,373	L1	33.87	641	93.6	230/460	66	1, 17, 30
60	3600	326HP	VHM2546T	10,078	L1	33.87	705	93	208-230/460	66	1, 16, 17

(a) See notes on inside back flap.

■ Cast Iron Frame

Custom TEFC motors available through 2,250 Hp; Open and WPIL custom motors through 15,000 Hp. Contact your Baldor Sales Representative.

THRUST BEARINGS MUST BE LOADED TO A MINIMUM OF 20% OF RATED THRUST FOR PROPER BEARING LOADING AND LIFE.

Red Catalog Number indicates **NEW** Product.

SAE Hydraulic Pump Motors, Three Phase, TEFC**5 thru 10 Hp****Features:**

- Rated for continuous duty
- F-3 mounted conduit box
- SAE A or B-B pump configuration
- Designed for longevity with a 3 year warranty on premium efficient Super-E® Motors

Applications:

- Industrial Pumps
- SAE Pump Applications
- General Purpose Pumps
- Commercial Machinery
- Food and Beverage
- Wastewater
- Agricultural

Hp	RPM	NEMA Frame	Catalog Number	List Price	Mult. Sym.	"C" Dim.	Aprx. Wt. (lb)	Full Load Efficiency	Voltage	Full Load Amps	Notes (a)
5	1800	184TYZ	EHPM3615T	1,040	L1	15.00	93	89.5	230/460	6.7	
		184TYZ	HPM3615T	842	L1	13.50	82	87.5	208-230/460	6.8	16
7 1/2	1800	213TYZ	EHPM3710T	1,447	L1	15.79	127	91.7	230/460	9.4	
		213TYZ	HPM3710T	1,082	L1	14.66	127	89.5	208-230/460	10.1	16
10	1800	215TYZ	EHPM3714T	1,618	L1	17.29	165	91.7	230/460	12	
		215TYZ	HPM3714T	1,277	L1	15.79	136	89.5	208-230/460	13.5	16

(a) See notes on inside back flap.

Red Catalog Number indicates **NEW** Product.**Submersible Motors, Single Phase, TENV****1 thru 5 Hp****Features:**

- Continuous duty in water/sewage
- 15 minute in air
- 416 stainless steel shaft
- Dual carbon ceramic mechanical seals
- Two NC thermostats
- 25 feet of cable
- Dual moisture sensing probes
- NEMA 1 enclosure control box
- 1.15 SF
- UL listed, Division 1, Class I, Group C & D, T3C
- 5 year pro-rated warranty

Applications:

- Wet pit applications
- Slurry pumps
- Aerators
- Mixers

Hp	RPM	NEMA Frame	New Catalog Number	Old Catalog Number	XP Cls/Grp	Temp Code	List Price	Mult. Sym.	"C" Dim.	Aprx. Wt. (lb)	Full Load Efficiency	Voltage	Full Load Amps	Notes (a)
1	1800	180TY	SUL50104SM	C18G2730	④	T3C	5,725	S1	25.94	240	55	230	8.1	10,81,97
	1200	180TY	SUL50106SM	C18G2700	④	T3C	5,991	S1	25.94	240	55.6	230	8.6	10,81,97
1 1/2	1800	180TY	SUL50154SM	C18G2731	④	T3C	5,725	S1	25.94	291	62.5	230	10.6	10,81,98
	1200	180TY	SUL50156SM	C18G2701	④	T3C	6,850	S1	25.94	256	57	230	12.5	10,81,99
2	1800	180TY	SUL50204SM	C18G2702	④	T3C	6,347	S1	25.94	250	60.9	230	14.4	10,81,100
3	1800	180TY	SUL50304SM	C18G2703	④	T3C	7,935	S1	26.66	260	64.7	230	20	10,81,101
		180TY	SUL50304	C18G2704	④	T3C	7,935	S1	25.94	256	64.7	230	20	10,81
3	1200	210TY	SUL50306SM	C21G2701	④	T3C	9,727	S1	32.41	315	65.6	230	21	10,81,97
		210TY	SUL50504	C21G2702	④	T3C	10,566	S1	31.69	369	69	230	30	10,82

(a) See notes on inside back flap.

④ = Class I, Group C & D

Cast Iron Frame

Red Catalog Number indicates **NEW** Product.**IMMERSIBLE MOTORS AVAILABLE THROUGH 250 HP. CONTACT YOUR LOCAL BALDOR•RELIANCE DISTRICT OFFICE WITH YOUR INQUIRY AND SPECIFICATIONS.****NEW!**

Submersible Motors, Three Phase, TENV

1 thru 100 Hp



Features:

- Continuous duty in water/sewage
- 15 minute in air
- 416 stainless steel shaft
- Dual carbon ceramic mechanical seals
- Two NC thermostats
- 25 feet of cable
- Dual moisture sensing probes
- 1.15 SF
- UL listed, Division 1, Class I, Group C & D, T3C
- Inverter capable for 10:1 variable torque
- UL listed, Division 1, Class I, Group C & D, T2A on Inverter
- 5 year pro-rated warranty

Applications:

- Wet pit applications
- Slurry pumps
- Aerators
- Mixers

Hp	RPM	NEMA Frame	New Catalog Number	Old Catalog Number	XP Cls/Grp	Temp Code	List Price	Mult. Sym.	"C" Dim.	Aprx. Wt. (lb)	Full Load Efficiency	Voltage	Full Load Amps	Notes (a)
UL Listed, Hazardous Duty, Explosion Proof														
1	1800	180TY	SUM70104SM	P18G2784	④	T3C	5,102	S1	25.94	169	63.5	230	3.4	81, 97
1 1/2	1800	180TY	SUM70154SM	P18G2787	④	T3C	5,226	S1	25.94	175	70.5	230	4.6	81, 97
2	1800	180TY	SUM70204SM	P18G2791	④	T3C	5,324	S1	25.94	183	73.5	230	5.8	81, 97
		180TY	SUM70204SM-8	P18G2792	④	T3C	5,324	S1	25.94	182	73.5	200	6.7	81, 97
3	1800	180TY	SUM70304SM	P18G2794	④	T3C	5,382	S1	25.94	200	78.1	230	8.8	81, 97
		1200	180TY	SUM70306	P18G2707	④	T3C	5,469	S1	26.66	235	78	230	10.4
5	1800	180TY	SUM70504	P18G2701	④	T3C	5,611	S1	26.66	240	80.2	230	14	81
		180TY	SUM70504-4	P18G2702	④	T3C	5,611	S1	26.66	235	80.2	460	7	81
	180TY	SUM70504-8	P18G2739	④	T3C	5,611	S1	26.66	235	80.2	200	16.1	81	
	1200	180TY	SUM70506	P18G2709	④	T3C	7,412	S1	26.66	248	80.7	230	16	81
7 1/2	1800	180TY	SUM70508-4	P21G2747	④	T3C	9,155	S1	31.69	350	82.6	460	8.3	10,82
		180TY	SUM70754	P18G2703	④	T3C	7,021	S1	26.66	243	82.7	230	20.2	81
	180TY	SUM70754-4	P18G2704	④	T3C	7,021	S1	26.66	245	82.7	460	10.1	81	
	1200	210TY	SUM70756	P21G2705	④	T3C	8,190	S1	31.69	350	81.7	230	22.6	81
10	1800	210TY	SUM70756-4	P21G2770	④	T3C	8,190	S1	31.69	350	81.7	460	11.3	10,81
		210TY	SUM71004	P21G2701	④	T3C	7,567	S1	31.69	356	85.6	230	26	81
	210TY	SUM71004-4	P21G2702	④	T3C	7,567	S1	31.69	356	85.6	460	13	81	
	1200	210TY	SUM71006	P21G2707	④	T3C	10,014	S1	31.69	391	83.8	230	28.8	81
15	1800	210TY	SUM71006-4	P21G2769	④	T3C	10,014	S1	31.69	391	83.8	460	14.4	10,81
		210TY	SUM71504	P21G2703	④	T3C	9,694	S1	31.69	376	85.4	230	40.2	81
	1200	210TY	SUM71504-4	P21G2704	④	T3C	9,694	S1	31.69	374	85.4	460	20.1	81
20	1800	250TY	SUM71506-4	P25G2707	④	T3C	13,228	S1	37.34	469	86.5	460	20.3	81
		210TY	SUM72004SM-4	P21G2737	④	T3C	10,684	S1	32.41	378	86.6	460	26.2	81, 97
	1200	210TY	SUM72004-4	P21G2758	④	T3C	11,257	S1	31.69	407	86.6	460	26.2	81
25	1800	250TY	SUM72006-4	P25G2710	④	T3C	14,587	S1	37.34	474	86.7	460	27.4	81
		250TY	SUM72504-4	P25G2702	④	T3C	13,650	S1	37.34	495	88.5	460	32.1	81
	1200	250TY	SUM72504SM-4	P25G2747	④	T3C	13,650	S1	37.06	517	88.5	460	32.1	81, 97
30	1800	250TY	SUM72506-4	P25G2712	④	T3C	18,927	S1	37.34	496	86.7	460	35.2	81
		250TY	SUM73004-4	P25G2704	④	T3C	14,744	S1	37.34	445	88.7	460	39.9	81
	1200	320TY	SUM73006-4	P32G2700	④	T3C	22,712	S1	43.12	1150	89.7	460	40.7	10,82
40	1800	250TY	SUM74004-4	P25G2706	④	T3C	19,961	S1	37.34	510	89	460	51.7	82
		320TY	SUM75004-4	P32G2701	④	T3C	23,360	S1	43.12	882	91.1	460	64.3	10,82
	1200	320TY	SUM75004SM-4	P32G2724	④	T3C	23,360	S1	42.50	880	91.1	460	64.3	10,82, 97
60	1800	320TY	SUM75006-4	P32G2702	④	T3C	25,332	S1	43.12	872	90.5	460	65.9	10,82
		320TY	SUM76004-4	P32G2706	④	T3C	29,877	S1	43.12	950	92	460	74.9	10,83
75	1800	320TY	SUM77504-4	P32G2703	④	T3C	38,734	S1	43.12	956	92.6	460	91.3	10,84
		360TY	SUM77506-4	P36G2700	④	T3C	39,606	S1	47.10	1374	92.3	460	90.9	10,85
100	1800	360TY	SUM710004-4	P36G2701	④	T3C	41,185	S1	47.10	1340	91.6	460	116	10,86
		360TY	SUM710006-4	P36G2702	④	T3C	50,906	S1	47.10	1500	91.2	460	122	10,87
Non-UL Listed, Non Hazardous Duty														
7 1/2	1800	210TY	SUM20754	P21G2750			5,361	S1	31.69	335	82.8	230	20.8	81
		210TY	SUM20754-4	P21G2754			5,361	S1	31.69	340	82.8	460	10.4	81
10	1800	210TY	SUM21004	P21G2755			6,434	S1	31.69	351	85.6	230	26	81
		210TY	SUM21004-4	P21G2756			6,434	S1	31.69	367	85.6	460	13	81
15	1800	210TY	SUM21504	P21G2752			8,104	S1	31.69	368	85.4	230	40.2	81
		210TY	SUM21504-4	P21G2757			8,104	S1	31.69	377	85.4	460	20.1	81

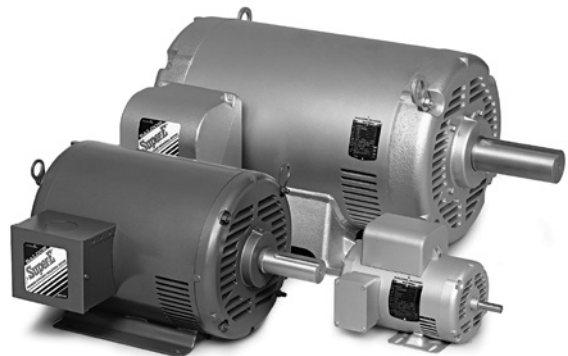
(a) See notes on inside back flap. ④ = Class I, Group C & D

Cast Iron Frame Red Catalog Number indicates NEW Product.

Longer cable lengths and custom submersible motors are available. Contact your Baldor-Reliance Sales Representative.

BALDOR • RELIANCE

Baldor•Reliance HVAC motors are specifically engineered with industry-driven designs to keep your air handling systems running smoothly, quietly, and efficiently, which means better system reliability and performance, with less maintenance.



Key Features:

- Dynamically balanced rotor to reduce noise and increased bearing life
- Color coded and numbered leads for ease of connectivity
- Bar code spec number for easy identification
- Low noise vibration dampening bases
- Baldor•Reliance motors meet or exceed all efficiency requirements for US, Canada and Mexico regulations

General Information	Direct Drive		
	Electrical Features		
	Single Phase Output Range 1/4 - 1 1/2 Hp		
	Single Phase Voltages: 115, 115/230, 277		
Single Phase Motors	Electrical Features		
	Automatic Thermal Overload on Single Phase		
	Termination panel with quick connection for easier installation on Single Phase		
	Three Phase Output Range 1/4 - 10 Hp		
General Purpose Industrial Motors	Electrical Features		
	Three Phase Voltages: 230/460, 208-230/460		
	Mechanical Features		
	Enclosures: ODP, TEAO		
Severe Duty Motors	Mechanical Features		
	Mountings: Footed F1, C-Face, Belly Band, Extended Thru-Bolts, Resilient, and Yoke/Pedestal		
	Application Specific Shafting, Bearing Construction, and Lubrication		
	Applications		
Large AC Motors	Super-E, General Purpose		
	Electrical Features		
	Three Phase		
	Output Range: 1 - 100 Hp		
Washdown Duty Motors	Electrical Features		
	Voltages: 230/460, 208-230/460, 200, 575		
	1.15 Service Factor		
	Class F Insulation		
Explosion Proof Motors	Mechanical Features		
	Enclosures: ODP, TEFC		
	Mountings: Footed, F1 or F2		
	External shaft grounding provisions on drive end		
Pump Motors	Applications		
	Super-E, Internal Shaft Grounded		
	Electrical Features		
	Three Phase		
HVAC Motors	Electrical Features		
	Voltages: 230/460, 208-230/460, 200, 575		
	Class H Insulation		
	Designed for variable speed applications		
Farm Duty Motors	Mechanical Features		
	Enclosures: ODP, TEFC		
	Mountings: Footed F1, C-Face		
	Internal shaft ground installed		
Farm Duty Motors	Applications		
	Chiller/Cooling Tower		
	Electrical Features		
	Three Phase		
Farm Duty Motors	Electrical Features		
	Voltages: 230/460, 208-230/460, 200, 575		
	1.15 Service Factor		
	Class F Insulation		
Farm Duty Motors	Mechanical Features		
	Enclosures: TEAO, TEFC		
	Mountings: Footed F1		
	Three barrier conduit box sealing		
Farm Duty Motors	Applications		
	Four barrier shaft sealing system on drive end		
	Double sealed bearings		
	Face drains each end		
Farm Duty Motors	Applications		
	Stainless hardware		
	Applications		
	Belted or Drive shaft Chiller/Cooling Towers		

Super-E[®], Three Phase, TEFC, Foot Mounted, with Internal Baldor Shaft Grounding Brush

1 thru 50 Hp



Features:

- Class H insulation for increased protection on inverter use
- Internal grounding brush for bearing current mitigation on DE retainer ring
- Designed for longevity with 3 year warranty
- Suitable for inverter use per NEMA MG1 Part 31.4.4.2

Applications:

- Fans
- Pumps
- Blowers
- Unit Handling
- HVAC Systems
- Variable Speed Applications
- General Purpose Applications

Hp	RPM	NEMA Frame	Catalog Number	List Price	Mult. Sym.	"C" Dim.	Aprx. Wt. (lb)	Full Load Efficiency	Voltage	Full Load Amps	Notes (a)
Foot Mounted											
1	1800	143T	EM3546T-BG	872	L1	13.31	38	85.5	230/460	1.5	30
1 1/2	1800	145T	EM3554T-BG	900	L1	13.31	41	86.5	230/460	2.2	30
2	3600	145T	EM3555T-BG	961	L1	13.31	41	85.5	230/460	2.5	30
	1800	145T	EM3558T-BG	927	L1	13.31	45	86.5	230/460	2.9	30
3	3600	145T	EM3559T-BG	1,037	L1	14.19	50	86.5	230/460	3.6	30
	1800	182T	EM3611T-BG	1,037	L1	16.54	70	89.5	230/460	4.2	30
	1200	213T	EM3704T-BG	1,570	L1	19.01	132	89.5	230/460	4.6	30
5	3600	184T	EM3613T-BG	1,175	L1	16.54	74	88.5	230/460	5.9	30
	1800	184T	EM3615T-BG	1,116	L1	18.04	93	89.5	230/460	6.7	30
	1200	215T	EM3708T-BG	1,745	L1	19.76	154	89.5	230/460	7.3	30
7 1/2	3600	213T	EM3709T-BG	1,686	L1	17.89	121	89.5	230/460	9	30
	1800	213T	EM3710T-BG	1,547	L1	19.01	127	91.7	230/460	9.4	30
	1200	254T	EM2276T-BG	2,812	L1	23.30	310	91	230/460	11	30
10	3600	215T	EM3711T-BG	1,706	L1	17.89	118	90.2	230/460	11.8	30
	1800	215T	EM3714T-BG	1,718	L1	20.51	165	91.7	230/460	12	30
	1200	256T	EM2332T-BG	3,172	L1	23.30	322	91	230/460	14.1	30
15	3600	254T	EM2394T-BG	2,783	L1	23.30	253	91	230/460	17.5	30
	1800	254T	EM2333T-BG	2,569	L1	23.30	274	92.4	230/460	18.1	30
	1200	284T	EM4100T-BG	4,179	L1	27.76	372	91.7	230/460	21	30
20	1800	256T	EM2334T-BG	3,059	L1	23.30	290	93	230/460	24	30
	1200	286T	EM4102T-BG	5,465	L1	27.76	406	91.7	230/460	27	30
25	1800	284T	EM4103T-BG	3,956	L1	27.76	420	93.6	230/460	30	30
	1200	324T	EM4111T-BG	6,211	L1	30.39	475	93	230/460	32	30
30	1800	286T	EM4104T-BG	4,637	L1	27.76	437	93.6	230/460	38	30
40	1800	324T	EM4110T-BG	6,039	L1	30.28	578	94.1	230/460	48	30
50	1800	326T	EM4115T-BG	6,565	L1	30.28	641	94.5	230/460	58	30
C-Face, Foot Mounted											
1/2	1800	56C	CEM3538-BG	854	K	12.23	33	82.5	208-230/460	0.8	
3/4	1800	56C	CEM3542-BG	881	K	12.23	37	84	208-230/460	1.1	12
1	1800	143TC	CEM3546T-BG	907	L1	13.29	38	85.5	230/460	1.5	30
1 1/2	1800	145TC	CEM3554T-BG	935	L1	13.29	41	86.5	230/460	2.2	30
2	1800	145TC	CEM3558T-BG	962	L1	13.29	45	86.5	230/460	2.9	30
3	1800	182TC	CEM3611T-BG	1,109	L1	16.55	70	89.5	230/460	4.2	30
5	1800	184TC	CEM3615T-BG	1,188	L1	18.05	93	89.5	230/460	6.7	30

(a) See notes on inside back flap.

■ Cast Iron Frame

BALDOR • RELIANCE®**Super-E®, Three Phase, ODP, Foot Mounted, with Internal Baldor Shaft Grounding Brush****HVAC Motors****1 thru 50 Hp****BALDOR**
SHAFT GROUNDING BRUSH
INSTALLED

LB1508

**Features:**

- Class H insulation for increased protection on inverter use
- Internal grounding brush for bearing current mitigation on DE retainer ring
- Designed for longevity with 3 year warranty
- Suitable for inverter use per NEMA MG1 Part 31.4.4.

Applications:

- Fans
- Pumps
- Blowers
- Unit Handling
- HVAC Systems
- Variable Speed Applications
- General Purpose Applications

Hp	RPM	NEMA Frame	Catalog Number	List Price	Mult. Sym.	"C" Dim.	Aprx. Wt. (lb)	Full Load Efficiency	Voltage	Full Load Amps	Notes (a)
1	1800	143T	EM3116T-BG	877	L1	11.12	38	85.5	230/460	1.6	30
1 1/2	1800	145T	EM3154T-BG	909	L1	11.62	37	86.5	230/460	2.2	30
2	3600	143T	EM3155T-BG	884	L1	11.62	43	85.5	230/460	2.5	30
	1800	145T	EM3157T-BG	962	L1	12.12	43	86.5	230/460	2.9	30
3	3600	145T	EM3158T-BG	893	L1	13.00	51	85.5	230/460	3.8	30
	1800	182T	EM3211T-BG	1,055	L1	15.00	74	89.5	230/460	4.2	30
	1200	213T	EM3305T-BG	1,328	L1	16.32	110	88.5	230/460	4.5	30
5	3600	182T	EM3212T-BG	991	L1	13.62	63	86.5	230/460	6	30
	1800	184T	EM3218T-BG	1,137	L1	16.50	92	89.5	230/460	6.6	30
	1200	215T	EM3309T-BG	1,672	L1	17.45	141	89.5	230/460	7.4	30
7 1/2	3600	184T	EM3219T-BG	1,456	L1	15.00	77	88.5	230/460	8.6	30
	1800	213T	EM3311T-BG	1,602	L1	16.32	115	91	230/460	9.7	30
	1200	254T	EM2506T-BG	2,002	L1	23.19	248	90.2	230/460	11	30
10	3600	213T	EM3312T-BG	1,661	L1	16.32	121	89.5	230/460	12	30
	1800	215T	EM3313T-BG	1,893	L1	17.45	129	91.7	230/460	12.5	30
	1200	256T	EM2511T-BG	2,526	L1	23.19	255	91.7	230/460	14.3	30
15	3600	215T	EM3314T-BG	2,266	L1	16.32	131	90.2	230/460	17.5	30
	1800	254T	EM2513T-BG	2,630	L1	21.69	234	93	230/460	17.7	30
	1200	284T	EM2524T-BG	3,350	L1	23.81	300	91.7	230/460	20.5	30
20	1800	256T	EM2515T-BG	2,860	L1	21.69	228	93	230/460	23.5	30
	1200	286T	EM2528T-BG	4,012	L1	23.81	321	92.4	230/460	27	30
25	1800	284T	EM2531T-BG	3,465	L1	25.06	387	93.6	230/460	30	30
30	1800	286T	EM2535T-BG	3,761	L1	25.06	341	94.1	230/460	35	30
40	1800	324T	EM2539T-BG	4,882	L1	27.19	324	94.1	230/460	49	30
50	1800	326T	EM2543T-BG	5,349	L1	27.69	497	94.5	230/460	57	30

(a) See notes on inside back flap.

■ Cast Iron Frame

Super-E[®], Three Phase, TEFC, Foot Mounted, with Internal AEGIS[®] Bearing Protection Ring

1 thru 100 Hp



Features:

- Class H insulation for increased protection on inverter use
- Internal grounding ring for bearing current mitigation on DE retainer ring
- Designed for longevity with 3 year warranty
- Suitable for inverter use per NEMA MG1 Part 31.4.4.2

Applications:

- Fans
- Pumps
- Blowers
- Unit Handling
- HVAC Systems
- Variable Speed Applications
- General Purpose Applications

Hp	RPM	NEMA Frame	Catalog Number	List Price	Mult. Sym.	"C" Dim.	Aprx. Wt. (lb)	Full Load Efficiency	Voltage	Full Load Amps	Notes (a)
230/460 Volt											
1	3600	56	EM3545-G	796	K	12.23	32	77	230/460	1.4	12, 30
	1800	143T	EM3546T-G	872	L1	12.31	30	85.5	230/460	1.5	30
	1200	145T	EM3556T-G	1,012	L1	13.31	43	82.5	230/460	1.8	30
1 1/2	3600	143T	EM3550T-G	892	L1	12.29	36	84	230/460	1.9	30
	1800	145T	EM3554T-G	900	L1	13.31	42	86.5	230/460	2.2	30
	1200	182T	EM3607T-G	1,186	L1	16.54	76	87.5	230/460	2.4	30
2	3600	145T	EM3555T-G	961	L1	13.29	46	85.5	230/460	2.5	30
	1800	145T	EM3558T-G	927	L1	13.31	42	86.5	230/460	2.9	30
	1200	184T	EM3614T-G	1,234	L1	18.04	94	88.5	230/460	3.5	30
3	3600	145T	EM3559T-G	1,037	L1	14.17	53	86.5	230/460	3.6	30
		182T	EM3610T-G	1,079	L1	15.29	57	86.5	230/460	3.6	30
	1800	182T	EM3611T-G	1,037	L1	16.54	74	89.5	230/460	4.2	30
		213T	EM3704T-G	1,570	L1	19.01	135	89.5	230/460	4.6	30
5	3600	184T	EM3613T-G	1,175	L1	16.54	76	88.5	230/460	5.9	30
	1800	184T	EM3615T-G	1,116	L1	18.04	92	89.5	230/460	6.7	30
	1200	215T	EM3708T-G	1,745	L1	19.76	154	89.5	230/460	7.3	30
7 1/2	3600	213T	EM3709T-G	1,686	L1	17.89	133	89.5	230/460	9	30
	1800	213T	EM3710T-G	1,547	L1	19.01	129	91.7	230/460	9.4	30
	1200	254T	EM2276T-G	2,842	L1	23.30	281	91	230/460	11	30
10	3600	215T	EM3711T-G	1,706	L1	17.89	118	90.2	230/460	11.8	30
	1800	215T	EM3714T-G	1,718	L1	20.51	156	91.7	230/460	12	30
	1200	256T	EM2332T-G	3,202	L1	23.30	322	91	230/460	14.1	30
15	3600	254T	EM2394T-G	2,813	L1	23.30	239	91	230/460	17.5	30
	1800	254T	EM2333T-G	2,599	L1	23.30	270	92.4	230/460	18.1	30
	1200	284T	EM4100T-G	4,257	L1	27.76	369	91.7	230/460	21	30
20	3600	256T	EM4106T-G	3,059	L1	23.30	261	91	230/460	23	30
	1800	256T	EM2334T-G	3,089	L1	23.30	295	93	230/460	24	30
	1200	286T	EM4102T-G	5,543	L1	27.76	393	91.7	230/460	27	30
25	3600	284TS	EM4107T-G	3,986	L1	24.70	323	91.7	230/460	29	30
	1800	284T	EM4103T-G	4,034	L1	27.76	400	93.6	230/460	30	30
	1200	324T	EM4111T-G	6,301	L1	30.39	507	93	230/460	32	30
30	3600	286TS	EM4108T-G	4,665	L1	24.70	336	91.7	230/460	34	30
	1800	286T	EM4104T-G	4,715	L1	27.76	410	93.6	230/460	38	30
	1200	326T	EM4117T-G	7,209	L1	30.28	604	93	230/460	39	30
40	3600	324TS	EM4109T-G	6,333	L1	28.78	532	92.4	230/460	46	30
	1800	324T	EM4110T-G	6,129	L1	30.28	596	94.1	230/460	48	30
	1200	364T	EM4308T-G	9,257	L1	33.48	883	94.1	230/460	49.4	30
50	3600	326TS	EM4114T-G	6,885	L1	28.78	584	93	230/460	56	30
	1800	326T	EM4115T-G	6,655	L1	30.28	648	94.5	230/460	58	30
	1200	365T	EM4312T-G	11,010	L1	33.48	910	94.1	230/460	61.7	30

(a) See notes on inside back flap. Cast Iron Frame

Super-E®, Three Phase, TEFC, Foot Mounted, with Internal AEGIS® Bearing Protection Ring

Hp	RPM	NEMA Frame	Catalog Number	List Price	Mult. Sym.	"C" Dim.	Aprx. Wt. (lb)	Full Load Efficiency	Voltage	Full Load Amps	Notes (a)
230/460 Volt continued											
60	3600	364TS	EM4310T-G	9,875	L1	31.36	900	95	230/460	66.3	30
	1800	364T	EM4314T-G	9,763	L1	33.48	907	95	230/460	68	30
75	3600	365TS	EM4313T-G	11,350	L1	31.36	966	94.5	230/460	81.9	30
	1800	365T	EM4316T-G	11,273	L1	33.48	956	95.4	230/460	85.9	30
100	1800	405T	EM4400T-G	14,152	L1	38.20	1214	95.4	230/460	112	30
200 Volt											
5	1800	184T	EM3665T-8G	1,350	L1	15.23	119	89.5	200	15.1	
7 1/2	1800	213T	EM3770T-8G	1,725	L1	18.45	170	91.7	200	21.4	
10	1800	215T	EM3774T-8G	1,908	L1	18.45	231	91.7	200	28	
15	1800	254T	EM2333T-8G	2,599	L1	23.30	254	92.4	200	42.4	
575 Volt											
1	1800	143T	EM3546T-5G	872	L1	12.31	35	85.5	575	1.2	
1 1/2	1800	145T	EM3554T-5G	900	L1	13.31	42	86.5	575	1.8	
2	1800	145T	EM3558T-5G	927	L1	13.31	46	86.5	575	2.3	
3	1800	182T	EM3611T-5G	1,037	L1	16.54	76	89.5	575	3.3	
5	1800	184T	EM3615T-5G	1,116	L1	18.04	84	89.5	575	5.3	
7 1/2	1800	213T	EM3710T-5G	1,547	L1	19.01	126	91.7	575	7.6	
10	1800	215T	EM3714T-5G	1,718	L1	20.51	165	91.7	575	9.6	
15	1800	254T	EM2333T-5G	2,599	L1	23.30	250	92.4	575	14.6	
20	1800	256T	EM2334T-5G	3,089	L1	23.30	293	93	575	19.2	
25	1800	284T	EM4103T-5G	4,034	L1	27.76	364	93.6	575	24	
30	1800	286T	EM4104T-5G	4,715	L1	27.76	423	93.6	575	29	
40	1800	324T	EM4110T-5G	6,129	L1	30.28	576	94.1	575	39	
50	1800	326T	EM4115T-5G	6,655	L1	30.28	644	94.5	575	46	

(a) See notes on inside back flap.

■ Cast Iron Frame

General Information

Single Phase Motors

General Purpose Industrial Motors

Severe Duty Motors

Large AC Motors

Washdown Duty Motors

Explosion Proof Motors

Pump Motors

HVAC Motors

Farm Duty Motors

Super-E® , Three Phase, ODP, Foot Mounted, with Internal AEGIS® Bearing Protection Ring

1 thru 100 Hp



Features:

- Class H insulation for increased protection on inverter use
- Internal grounding ring for bearing current mitigation on DE retainer ring
- Designed for longevity with 3 year warranty
- Suitable for inverter use per NEMA MG1 Part 31.4.4.2

Applications:

- Fans
- Pumps
- Blowers
- Unit Handling
- HVAC Systems
- Variable Speed Applications
- General Purpose Applications

Hp	RPM	NEMA Frame	Catalog Number	List Price	Mult. Sym.	"C" Dim.	Aprx. Wt. (lb)	Full Load Efficiency	Voltage	Full Load Amps	Notes (a)
230/460 Volt											
1	3600	56	EM31115-G	703	K	11.75	27	77	230/460	1.6	12, 15, 30
	1800	143T	EM3116T-G	877	L1	11.12	34	85.5	230/460	1.5	30
	1200	145T	EM3156T-G	893	L1	11.62	40	82.5	230/460	1.8	30
1 1/2	3600	143T	EM3120T-G	778	L1	11.12	34	84	230/460	2	30
	1800	145T	EM3154T-G	909	L1	11.62	38	86.5	230/460	2.2	30
	1200	182T	EM3207T-G	1,048	L1	15.00	67	86.5	230/460	2.5	30
2	3600	143T	EM3155T-G	884	L1	11.62	41	85.5	230/460	2.5	30
	1800	145T	EM3157T-G	962	L1	12.12	41	86.5	230/460	2.9	30
	1200	184T	EM3215T-G	1,067	L1	16.50	79	87.5	230/460	3.4	30
3	3600	145T	EM3158T-G	893	L1	13.00	46	85.5	230/460	3.8	30
	1800	182T	EM3211T-G	1,055	L1	15.00	72	89.5	230/460	4.2	30
	1200	213T	EM3305T-G	1,328	L1	16.32	110	88.5	230/460	4.5	30
5	3600	182T	EM3212T-G	991	L1	13.62	63	86.5	230/460	6	30
	1800	184T	EM3218T-G	1,137	L1	16.50	84	89.5	230/460	6.6	30
	1200	215T	EM3309T-G	1,672	L1	17.45	141	89.5	230/460	7.4	30
7 1/2	3600	184T	EM3219T-G	1,456	L1	15.00	75	88.5	230/460	8.6	30
	1800	213T	EM3311T-G	1,602	L1	16.32	115	91	230/460	9.7	30
	1200	254T	EM2506T-G	2,032	L1	23.19	243	90.2	230/460	11	30
10	3600	213T	EM3312T-G	1,661	L1	16.32	113	89.5	230/460	12	30
	1800	215T	EM3313T-G	1,893	L1	17.45	127	91.7	230/460	12.5	30
	1200	256T	EM2511T-G	2,556	L1	23.19	255	91.7	230/460	14.3	30
15	3600	215T	EM3314T-G	2,266	L1	16.32	126	90.2	230/460	17.5	30
	1800	254T	EM2513T-G	2,660	L1	21.69	210	93	230/460	17.7	30
	1200	284T	EM2524T-G	3,428	L1	23.81	280	91.7	230/460	20.5	30
20	3600	254T	EM2514T-G	2,695	L1	21.69	195	91	230/460	23.5	30
	1800	256T	EM2515T-G	2,890	L1	21.69	227	93	230/460	23.5	30
	1200	286T	EM2528T-G	4,090	L1	23.81	299	92.4	230/460	27	30
25	3600	256T	EM2516T-G	3,177	L1	21.69	212	91.7	230/460	28	30
	1800	284T	EM2531T-G	3,543	L1	25.06	314	93.6	230/460	30	30
	1200	324T	EM2532T-G	4,941	L1	27.69	384	93	230/460	34	30
30	3600	284TS	EM2534T-G	3,781	L1	22.44	310	91.7	230/460	35	30
	1800	286T	EM2535T-G	3,839	L1	25.06	340	94.1	230/460	35	30
	1200	326T	EM2536T-G	5,134	L1	28.69	457	93.6	230/460	38	30
40	3600	286TS	EM2538T-G	4,762	L1	22.44	328	92.4	230/460	46	30
	1800	324T	EM2539T-G	4,972	L1	27.19	392	94.1	230/460	49	30
	1200	364T	EM2540T-G	7,170	L1	30.69	606	94.1	230/460	51	30
50	3600	324TS	EM2542T-G	5,232	L1	25.69	392	93	230/460	56	30
	1800	326T	EM2543T-G	5,439	L1	27.69	473	94.5	230/460	57	30
60	1800	364T	EM2547T-G	7,117	L1	30.69	616	95	230/460	68	30
75	1800	365T	EM2551T-G	8,543	L1	33.72	750	95	230/460	87	30
100	1800	404T	EM2555T-4G	10,158	L1	36.97	898	95.4	460	115	

(a) See notes on inside back flap. Red Catalog Number indicates **NEW** Product.

General Information

Single Phase Motors

General Purpose Industrial Motors

Severe Duty Motors

Large AC Motors

Washdown Duty Motors

Explosion Proof Motors

Pump Motors

HVAC Motors

Farm Duty Motors

Super-E[®], Three Phase, ODP, Foot Mounted, with Internal AEGIS[®] Bearing Protection Ring

Hp	RPM	NEMA Frame	Catalog Number	List Price	Mult. Sym.	"C" Dim.	Aprx. Wt. (lb)	Full Load Efficiency	Voltage	Full Load Amps	Notes (a)
200 Volt											
1	1800	143T	EM3116T-8G	877	L1	11.12	38	85.5	200	3.5	
1 1/2	1800	145T	EM3154T-8G	909	L1	11.62	37	86.5	200	5.1	
2	1800	145T	EM3157T-8G	962	L1	12.12	43	86.5	200	6.5	
3	1800	182T	EM3211T-8G	1,055	L1	15.00	74	89.5	200	9.7	
5	1800	184T	EM3218T-8G	1,137	L1	16.50	92	89.5	200	15.3	
7 1/2	1800	213T	EM3311T-8G	1,602	L1	16.32	120	91	200	22.2	
10	1800	215T	EM3313T-8G	1,893	L1	17.45	132	91.7	200	29.5	
15	1800	254T	EM2513T-8G	2,660	L1	21.69	234	93	200	40.7	
20	1800	256T	EM2515T-8G	2,890	L1	21.69	250	93	200	54.3	
25	1800	284T	EM2531T-8G	3,543	L1	25.06	330	93.6	200	70	
30	1800	286T	EM2535T-8G	3,839	L1	25.06	340	94.1	200	81	
40	1800	324T	EM2539T-8G	4,972	L1	27.19	390	94.1	200	109	
575 Volt											
1	1800	143T	EM3116T-5G	877	L1	11.12	38	85.5	575	1.2	
1 1/2	1800	145T	EM3154T-5G	909	L1	11.62	37	86.5	575	1.8	
2	1800	145T	EM3157T-5G	962	L1	12.12	43	86.5	575	2.3	
3	1800	182T	EM3211T-5G	1,055	L1	15.00	74	89.5	575	3.4	
5	1800	184T	EM3218T-5G	1,137	L1	16.50	92	89.5	575	5.3	
7 1/2	1800	213T	EM3311T-5G	1,602	L1	16.32	114	91	575	7.8	
10	1800	215T	EM3313T-5G	1,893	L1	17.45	132	91.7	575	10	
15	1800	254T	EM2513T-5G	2,660	L1	21.69	210	93	575	14.1	
20	1800	256T	EM2515T-5G	2,890	L1	21.69	250	93	575	18.9	
25	1800	284T	EM2531T-5G	3,543	L1	25.06	328	93.6	575	24.5	
30	1800	286T	EM2535T-5G	3,839	L1	25.06	340	94.1	575	28	
40	1800	324T	EM2539T-5G	4,972	L1	27.19	400	94.1	575	40	

(a) See notes on inside back flap.

General Information

Single Phase Motors

General Purpose Industrial Motors

Severe Duty Motors

Large AC Motors

Washdown Duty Motors

Explosion Proof Motors

Pump Motors

HVAC Motors

Farm Duty Motors

Super-E, Three Phase, ODP, Foot Mounted

1 thru 100 Hp



Features:

- External provisions for bearing current mitigation
- Designed for longevity with 3 year warranty
- Suitable for inverter use per NEMA MG1 Part 31.4.4.2

Applications:

- Fans
- Pumps
- Blowers
- Air Handling
- HVAC Systems
- Variable Speed Applications
- General Purpose Applications

Hp	RPM	NEMA Frame	Catalog Number	List Price	Mult. Sym.	“C” Dim.	Aprx. Wt. (lb)	Full Load Efficiency	Voltage	Full Load Amps	Notes (a)
230/460 Volt											
1	1800	143T	EHM3116T	651	LS	11.12	35	85.5	230/460	1.5	30
1 1/2	1800	145T	EHM3154T	676	LS	11.62	37	86.5	230/460	2.2	30
2	1800	145T	EHM3157T	726	LS	12.13	41	86.5	230/460	2.9	30
3	1800	182T	EHM3211T	779	LS	15.00	72	89.5	230/460	4.2	30
	1200	213T	EHM3305T	1,141	L1	16.32	114	88.5	230/460	4.5	30
5	1800	184T	EHM3218T	846	LS	16.50	85	89.5	230/460	6.6	30
	1200	215T	EHM3309T	1,485	L1	17.45	141	89.5	230/460	7.4	30
7 1/2	1800	213T	EHM3311T	1,230	LS	16.32	115	91	230/460	9.7	30
	1200	254T	EHM2506T	1,773	L1	23.19	248	90.2	230/460	11	30
10	1800	215T	EHM3313T	1,480	LS	17.45	127	91.7	230/460	12.5	30
	1200	256T	EHM2511T	2,297	L1	23.19	260	91.7	230/460	14.3	30
15	1800	254T	EHM2523T	2,087	LS	21.69	212	93	230/460	17.7	30
	1200	284T	EHM2524T	3,085	L1	23.81	285	91.7	230/460	20.5	30
20	1800	256T	EHM2515T	2,612	LS	21.69	225	93	230/460	23.5	30
	1200	286T	EHM2528T	3,747	L1	23.81	375	92.4	230/460	27	30
25	1800	284T	EHM2531T	3,177	LS	25.06	345	93.6	230/460	30	30
	1200	324T	EHM2532T	4,519	L1	27.69	393	93	230/460	34	30
30	1800	286T	EHM2535T	3,473	LS	25.06	339	94.1	230/460	35	30
	1200	326T	EHM2536T	4,712	L1	28.69	482	93.6	230/460	38	30
40	1800	324T	EHM2539T	4,519	LS	27.19	433	94.1	230/460	49	30
50	1800	326T	EHM2543T	5,544	LS	27.69	469	94.5	230/460	57	30
60	1800	364T	EHM2547T	6,268	LS	29.94	582	95	230/460	68	30
75	1800	365T	EHM2551T	7,687	LS	33.72	752	95	230/460	87	30
100	1800	404T	EHM2555T	8,762	LS	36.97	911	95.4	230/460	113	30
230/460 Volt, F2 Mounting											
2	1800	145T	EHFM3157T	726	LS	12.13	49	86.5	230/460	2.9	30
3	1800	182T	EHFM3211T	779	LS	15.00	68	89.5	230/460	4.2	30
5	1800	184T	EHFM3218T	846	LS	16.50	82	89.5	230/460	6.6	30
7 1/2	1800	213T	EHFM3311T	1,230	LS	16.32	115	91	230/460	9.7	30
10	1800	215T	EHFM3313T	1,480	LS	17.45	127	91.7	230/460	12.5	30
15	1800	254T	EHFM2523T	2,087	LS	21.69	212	93	230/460	17.7	30
20	1800	256T	EHFM2515T	2,612	LS	21.69	227	93	230/460	23.5	30
25	1800	284T	EHFM2531T	3,177	LS	25.06	301	93.6	230/460	30	30
30	1800	286T	EHFM2535T	3,473	LS	25.06	328	94.1	230/460	35	30
40	1800	324T	EHFM2539T	4,519	LS	27.19	429	94.1	230/460	49	30
50	1800	326T	EHFM2543T	5,544	LS	27.69	466	94.5	230/460	57	30

(a) See notes on inside back flap.

Super-E, Three Phase, ODP, Foot Mounted

Hp	RPM	NEMA Frame	Catalog Number	List Price	Mult. Sym.	"C" Dim.	Aprx. Wt. (lb)	Full Load Efficiency	Voltage	Full Load Amps	Notes (a)
200 Volt											
1	1800	143T	EHM3116T-8	651	LS	11.12	34	85.5	200	3.5	
1 1/2	1800	145T	EHM3154T-8	676	LS	11.62	38	86.5	200	5.1	
2	1800	145T	EHM3157T-8	726	LS	12.13	41	86.5	200	6.5	
3	1800	182T	EHM3211T-8	779	LS	15.00	71	89.5	200	9.7	
5	1800	184T	EHM3218T-8	846	LS	16.50	85	89.5	200	15.3	
7 1/2	1800	213T	EHM3311T-8	1,230	LS	16.32	115	91	200	22.2	
10	1800	215T	EHM3313T-8	1,480	LS	17.45	120	91.7	200	29.5	30
15	1800	254T	EHF2523T-8	2,082	LS	21.69	211	93	200	40.7	6, 30
		254T	EHM2523T-8	2,087	LS	21.69	210	93	200	40.7	30
20	1800	256T	EHM2515T-8	2,612	LS	21.69	226	93	200	54.3	30
25	1800	284T	EHM2531T-8	3,177	LS	25.06	369	93.6	200	70	
30	1800	286T	EHM2535T-8	3,473	LS	25.06	331	94.1	200	81	
40	1800	324T	EHM2539T-8	4,519	LS	26.69	434	94.1	200	108	
50	1800	326T	EHM2543T-8	5,544	LS	27.69	459	94.5	200	132	

(a) See notes on inside back flap.

General Information

Single Phase Motors

General Purpose Industrial Motors

Severe Duty Motors

Large AC Motors

Washdown Duty Motors

Explosion Proof Motors

Pump Motors

HVAC Motors

Farm Duty Motors

Super-E, Three Phase, TEFC, Foot Mounted

1 thru 50 Hp



Features:

- External provisions for bearing current mitigation
- Designed for longevity with 3 year warranty
- Suitable for inverter use per NEMA MG1 Part 31.4.4.2

Applications:

- Fans
- Pumps
- Blowers
- Air Handling
- HVAC Systems
- Pairing with a Speed Drive
- General Purpose Applications

Hp	RPM	NEMA Frame	Catalog Number	List Price	Mult. Sym.	"C" Dim.	Aprx. Wt. (lb)	Full Load Efficiency	Voltage	Full Load Amps	Notes (a)
230/460 Volt											
1	1800	143T	EHM3546T	734	LS	12.31	37	85.5	230/460	1.5	1, 30
1 1/2	1800	145T	EHM3554T	737	LS	13.29	44	86.5	230/460	2.2	1, 30
2	1800	145T	EHM3558T	789	LS	13.29	46	86.5	230/460	2.9	1, 30
3	1800	182T	EHM3611T	869	LS	16.54	73	89.5	230/460	4.2	1, 30
5	1800	184T	EHM3615T	949	LS	18.04	93	89.5	230/460	6.7	1, 30
	1200	215T	EHM3708T	1,558	L1	19.78	154	89.5	230/460	7.3	1, 30
7 1/2	1800	213T	EHM3710T	1,353	LS	19.03	128	91.7	230/460	9.4	1, 30
	1200	254T	EHM2276T	2,583	L1	23.28	294	91	230/460	11	1, 30
10	1800	215T	EHM3714T	1,526	LS	20.53	165	91.7	230/460	12	1, 30
	1200	256T	EHM2332T	2,943	L1	23.28	290	91	230/460	14.1	1, 30
15	1800	254T	EHM2333T	2,332	LS	23.28	250	92.4	230/460	18.1	1, 30
	1200	284T	EHM4100T	3,914	L1	27.76	400	91.7	230/460	21	1, 30
20	1800	256T	EHM2334T	2,821	LS	23.28	288	93	230/460	24	1, 30
	1200	286T	EHM4102T	5,201	L1	27.76	457	91.7	230/460	27	1, 30
25	1800	284T	EHM4103T	3,680	LS	27.76	430	93.6	230/460	30	1, 30
	1200	324T	EHM4111T	5,879	L1	30.39	465	93	230/460	32	1, 30
30	1800	286T	EHM4104T	4,360	LS	27.76	423	93.6	230/460	38	1, 30
40	1800	324T	EHM4110T	5,691	LS	30.28	612	94.1	230/460	48	1, 30
50	1800	326T	EHM4115T	6,198	LS	30.28	622	94.5	230/460	58	1, 30
575 Volt											
1	1800	143T	EHM3546T-5	734	LS	12.31	37	85.5	575	1.2	1
1 1/2	1800	145T	EHM3554T-5	737	LS	13.29	44	86.5	575	1.8	1
2	1800	145T	EHM3558T-5	789	LS	13.29	47	86.5	575	2.3	1
3	1800	182T	EHM3611T-5	869	LS	16.54	74	89.5	575	3.3	1
5	1800	184T	EHM3615T-5	949	LS	18.04	92	89.5	575	5.3	1
7 1/2	1800	213T	EHM3710T-5	1,353	LS	19.03	127	91.7	575	7.6	1
10	1800	215T	EHM3714T-5	1,526	LS	20.53	165	91.7	575	9.6	1
15	1800	254T	EHM2333T-5	2,332	LS	23.28	255	92.4	575	14.6	1
20	1800	256T	EHM2334T-5	2,821	LS	23.28	286	93	575	19.2	1
25	1800	284T	EHM4103T-5	3,680	LS	27.76	397	93.6	575	24	1
30	1800	286T	EHM4104T-5	4,360	LS	27.76	395	93.6	575	29	1
40	1800	324T	EHM4110T-5	5,691	LS	30.28	575	94.1	575	39	1
50	1800	326T	EHM4115T-5	6,198	LS	30.28	622	94.5	575	50	1

(a) See notes on inside back flap.
 ■ Cast Iron Frame

Chiller/Cooling Tower, Three Phase, TEAO

5 thru 60 Hp

IP55



Features:

- Severe Duty construction for harsh environments
- Corrosion resistant epoxy finish
- Multiple lifting provisions for ease of installation
- Strategically placed drains for optimal moisture removal
- Four barrier moisture protection on DE
- Lipped conduit lid for increased ingress protection

Applications:

- Cooling Towers
- Chillers
- Fans
- Pumps
- Air Handling
- HVAC Systems
- General Purpose Applications

Hp	RPM	NEMA Frame	Catalog Number	List Price	Mult. Sym.	“C” Dim.	Aprx. Wt. (lb)	Full Load Efficiency	Voltage	Full Load Amps	Airflow Ft/Min	Notes (a)
5	1800	184T	CTM3665T	1,095	L1	13.68	100	87.5	208-230/460	6.9	1200	
		184T	ECTM3665T	1,239	L1	13.68	108	89.5	208-230/460	6.6	1200	
	1200	215T	CTM3768T	1,660	L1	19.54	206	87.5	208-230/460	7.5	1200	
		215T	ECTM3768T	1,968	L1	19.54	227	90.2	230/460	7.3	1200	30
7 1/2	1800	213T	CTM3770T	1,458	L1	19.54	164	89.5	208-230/460	10.3	1500	
		213T	ECTM3770T	1,653	L1	19.54	170	91.7	208-230/460	9.5	1500	
	1200	254T	CTM2276T	2,025	L1	22.16	179	89.5	208-230/460	10.9	1500	
		254T	ECTM2276T	2,802	L1	23.00	290	91	230/460	11	1500	30
10	1800	215T	CTM3774T	1,861	L1	19.54	170	89.5	208-230/460	13	1500	
		215T	ECTM3774T	2,218	L1	19.54	231	91.7	208-230/460	12.2	1500	
	1200	256T	CTM2332T	2,254	L1	23.00	275	89.5	230/460	14.4	1500	30
		256T	ECTM2332T	3,201	L1	23.00	297	91	230/460	14.4	1500	30
15	1800	254T	CTM2333T	2,472	L1	22.16	236	91	208-230/460	18.5	1500	
		254T	ECTM2333T	2,944	L1	23.00	278	92.4	230/460	18.1	1500	30
	1200	284T	ECTM4100T	4,268	L1	25.63	345	91.7	230/460	20	1500	30
		256T	CTM2334T	2,756	L1	23.91	245	91	230/460	25	1500	30
20	1800	256T	ECTM2334T	3,284	L1	23.00	293	93	230/460	24	1500	30
		284T	CTM4103T	3,341	L1	25.78	343	92.4	230/460	29	1500	30
25	1800	284T	ECTM4103T	4,042	L1	25.63	378	93.6	230/460	30	1500	30
		286T	CTM4104T	4,010	L1	25.78	363	92.4	230/460	36	1500	30
30	1800	286T	ECTM4104T	4,797	L1	25.63	410	93.6	230/460	38	1500	30
		324T	CTM4110T	5,334	L1	28.38	529	93	230/460	47	2000	30
40	1800	324T	ECTM4110T	6,273	L1	28.38	553	94.1	230/460	48	1500	30
		326T	ECTM4115T	7,500	L1	28.38	598	94.5	230/460	58	2000	30
60	1800	364T	ECTM4314T	9,863	L1	29.70	835	95	230/460	68	2000	30

(a) See notes on inside back flap.

■ Cast Iron Frame

General Information

Single Phase Motors

General Purpose Industrial Motors

Severe Duty Motors

Large AC Motors

Washdown Duty Motors

Explosion Proof Motors

Pump Motors

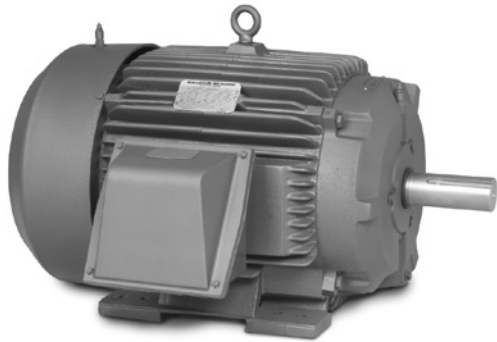
HVAC Motors

Farm Duty Motors

Chiller/Cooling Tower, Three Phase, Two Speed, TEFC

10 thru 60 Hp

IP55



Features:

- Multi speed electrical design
- Severe Duty construction for harsh environments
- Corrosion resistant epoxy finish
- Lead lugs for ease of connectivity

Applications:

- Cooling Towers
- Chillers
- Fans
- Pumps
- Air Handling
- HVAC Systems
- General Purpose Applications

Hp	RPM	NEMA Frame	Catalog Number	List Price	Mult. Sym.	“C” Dim.	Aprx. Wt. (lb)	Full Load Efficiency ^(b)	Voltage	Full Load Amps	Notes ^(a)
10/2.5	1800/900	215T	CTM1760T	3,455	L1	19.32	210	89.5	460	14.3	
15/3.75	1800/900	254T	CTM1761T	4,381	L1	24.78	290	90.2	460	18.1	
20/5	1800/900	256T	CTM1762T	5,293	L1	24.78	299	91	460	23.6	
25/6.25	1800/900	284T	CTM1763T	6,158	L1	27.93	342	91.7	460	32	
30/7.5	1800/900	286T	CTM1764T	7,069	L1	27.93	333	91.7	460	36	
40/10	1800/900	324T	CTM1765T	9,280	L1	30.28	619	92.4	460	48	
50/12.5	1800/900	326T	CTM1766T	10,949	L1	30.28	657	90.2	460	63	
60/15	1800/900	364T	CTM1767T	15,857	L1	33.44	836	93	460	69.6	

^(a) See notes on inside back flap.

^(b) Full load efficiency is at 1800 RPM and low speed efficiency is not published.

■ Cast Iron Frame

Ventilation Fan, Three Phase, TEAO, C-Face, Footless

1/2 thru 1 Hp



Features:

- Terminal panel for ease of connectivity
- Lubed for life double sealed bearings
- Locked DE bearing to allow mounting in any configuration

Applications:

- Fans
- Pumps
- Blowers
- Condensers
- Air Handling
- HVAC Systems
- General Purpose Applications

Hp	RPM	NEMA Frame	Catalog Number	List Price	Mult. Sym.	“C” Dim.	Aprx. Wt. (lb)	Full Load Efficiency	Voltage	Full Load Amps	Notes ^(a)
1/2	900	56C	VAOM3560	673	K	12.68	50	64	208-230/460	1.6	
1	900	56C	VAOM3527	798	K	14.93	57	74	208-230/460	3.2	

^(a) See notes on inside back flap.

Three Phase, TEAO, Foot Mounted**1/4 thru 10 Hp****Features:**

- 36" long leads for ease of connectivity
- Oversized ball bearings for large overhung load from shaft mounted fans
- Locked DE bearing to allow mounting in any configuration

Applications:

- Fans
- Pumps
- Blowers
- Condensers
- Air Handling
- HVAC Systems
- General Purpose Applications

Hp	RPM	NEMA Frame	Catalog Number	List Price	Mult. Sym.	"C" Dim.	Aprx. Wt. (lb)	Full Load Efficiency	Voltage	Full Load Amps	Notes (a)
1/4	1800	48	AOM3454	337	K	9.63	18	64	230/460	0.7	2, 20, 30
	1200	48	AOM3455	529	K	9.63	19	68	230/460	0.7	2, 20, 30
1/3	1800	48	AOM3458	376	K	9.63	18	68	230/460	0.9	2, 20, 30
	1200	56	AOM3535	557	K	10.25	22	70	208-230/460	0.9	2, 20
1/2	1800	56	AOM3538	442	K	10.25	25	70	208-230/460	1.1	2, 20
	1200	56	AOM3539	600	K	10.88	24	72	208-230/460	1.2	2, 20
3/4	1800	56	AOM3542	476	K	10.25	23	72	208-230/460	1.6	2, 20
	1200	56	AOM3543	617	K	11.75	31	77	208-230/460	1.5	2, 20
1	1800	143T	AOM3546T	495	L1	11.81	33	75.5	208-230/460	1.8	2
	1200	145T	AOM3556T	626	L1	11.12	35	78.5	208-230/460	1.9	2
	900	182T	AOM3617T	1,212	L1	13.62	62	74	208-230/460	2.2	2
1 1/2	1800	145T	AOM3554T	515	L1	11.12	34	81.5	208-230/460	2.3	2, 20
	1200	182T	AOM3607T	716	L1	13.62	50	78.5	208-230/460	2.5	2, 20
2	1800	145T	AOM3558T	546	L1	12.12	38	82.5	208-230/460	3	2, 20
	1200	184T	AOM3614T	768	L1	15.00	63	81.5	208-230/460	3.4	2, 20
	900	213T	AOM3702T	1,839	L1	16.32	97	82.5	208-230/460	3.5	2
3	1800	182T	AOM3611T	640	L1	13.62	59	85.5	208-230/460	4.5	2, 20
	1200	213T	AOM3704T	962	L1	16.32	92	84	208-230/460	4.8	2, 20
	900	215T	AOM3705T	2,010	L1	17.44	113	86.5	208-230/460	5.2	2, 20
5	1800	184T	AOM3615T	740	L1	15.00	71	87.5	208-230/460	6.8	1
	1200	215T	AOM3708T	1,377	L1	16.32	115	86.5	208-230/460	7.6	2, 20
	900	254T	AOM25904T	3,194	L1	19.63	208	82.5	230/460	8.9	1, 30
7 1/2	1800	213T	AOM3710T	949	L1	16.32	106	87.5	208-230/460	10.9	1
10	1800	215T	AOM3714T	1,150	L1	17.45	126	89.5	208-230/460	13.5	2, 20

(a) See notes on inside back flap.

Condenser Fan, Three Phase, ODP, “Belly Band” Round Body

1/2 thru 1-1/2 Hp



Features:

- 6” long shaft with flat and keyway
- Terminal panel for ease of connectivity
- Automatic thermal overload protection
- Lubed for life double shielded bearings

Applications:

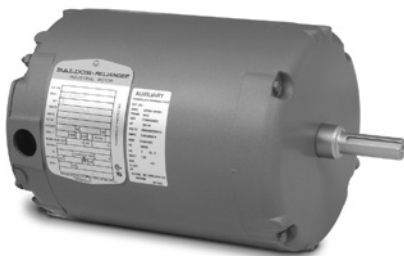
- Fans
- Pumps
- Blowers
- Condensers
- Air Handling
- HVAC Systems
- General Purpose Applications

Hp	RPM	NEMA Frame	Catalog Number	List Price	Mult. Sym.	“C” Dim.	Aprx. Wt. (lb)	Full Load Efficiency	Voltage	Full Load Amps	Notes (a)
1/2	1200	48YZ	CFM3036A	566	K	14.29	25	72	208-230/460	1.2	2, 20
		56YZ	CFM3136A	586	K	15.30	28	70	208-230/460	1.2	
3/4	1200	48YZ	CFM3046A	614	K	16.02	33	77	208-230/460	1.5	2, 20
		56YZ	CFM3146A	633	K	15.55	33	75.5	208-230/460	1.4	
1	1200	56YZ	CFM3156A	722	K	16.55	38	75.5	208-230/460	1.8	
1 1/2	1200	56YZ	CFM3166A	785	K	17.43	48	76	208-230/460	2.5	

(a) See notes on inside back flap.

Condenser Fan, Three Phase, TEAO, “Belly Band” Round Body

1/2 Hp



Features:

- Low temp grease for use in industrial freezers
- Terminal panel for ease of connectivity
- Automatic thermal overload protection
- Lubed for life double shielded bearings
- 60 and 50 Hz data included for connection at either frequency

Applications:

- Industrial freezers/ refrigeration
- Food processing plants
- Low temperature condensers

Hp	RPM	NEMA Frame	Catalog Number	List Price	Mult. Sym.	“C” Dim.	Aprx. Wt. (lb)	Full Load Efficiency	Voltage	Full Load Amps	Notes (a)
1/2	1200	56	M3539-TP	625	K	11.68	29	70	208-230/460	1.2	

(a) See notes on inside back flap.

General Information

Single Phase Motors

General Purpose Industrial Motors

Severe Duty Motors

Large AC Motors

Washdown Duty Motors

Explosion Proof Motors

Pump Motors

HVAC Motors

Farm Duty Motors

Fan and Blower, Single and Three Phase, ODP, Resilient Base

1/4 thru 2 Hp



Features:

- Resilient cushion base for low noise and reduced vibration
- Terminal panel for ease of connectivity
- Automatic thermal overload protection
- Lubed for life double shielded bearings

Applications:

- Fans
- Pumps
- Blowers
- Condensers
- Air Handling
- HVAC Systems
- General Purpose Applications

Hp	RPM	NEMA Frame	Catalog Number	List Price	Mult. Sym.	"C" Dim.	Aprx. Wt. (lb)	Full Load Efficiency	Voltage	Full Load Amps	Notes (a)
Single Phase											
1/4	1800	48	RL1203A	271	K	10.34	20	55	115/230	2.5	12, 30, 96
1/3	1800	56	RL1206A	292	K	10.96	24	60	115/230	3	30, 96
1/2	3600	48	RL1209A	333	K	10.96	27	62	115/230	4.2	12, 30, 96
	1800	56	RL1304A	434	K	11.59	26	62	115/230	4.2	12, 30, 66, 96
3/4		1800	56	RL1323A	395	K	10.97	24	62	115/230	4
	56H		RL1306A	399	K	11.59	26	71	115/230	5.5	12, 30, 66, 96
	56		RL1307A	532	K	12.96	34	68	115/230	5.1	12, 30, 66, 96
1	1800	56	RL1324A	428	K	12.47	31	71	115/230	5	2, 66
		56H	RL1309A	459	K	11.42	36	63	115/230	7.3	30, 66, 96
1 1/2	1800	56H	RL1310A	578	K	12.04	34	68	115/230	6.5	12, 30, 66
		56H	ERM1313A	689	K	13.30	52	82	115/230	5.9	15, 30, 66
1 1/2	1800	56H	ERM1319A	774	K	14.67	59	83.8	115/230	6.2	15, 66
		56H	ERM1319A	774	K	14.67	59	83.8	115/230	6.2	15, 66
Single Phase, 277 Volt											
1/3	1800	56	RL1301A277	446	K	10.97	23	60	277	2.5	13, 66
1/2	1800	56	RL1304A277	464	K	11.59	26	62	277	3.6	12, 66
3/4	1800	56H	RL1307A277	639	K	12.47	34	66	277	4.2	12, 66
1	1800	56H	RL1310A277	657	K	12.42	42	70	277	5.4	66
1 1/2	1800	56H	ERM1319A277	774	K	14.67	59	84	277	5.2	15, 66
Three Phase											
1/4	1800	48	ERM3003	437	K	10.34	21	69.5	230/460	0.5	13, 15, 30
1/3	1800	48	ERM3007	455	K	10.34	24	73.4	230/460	0.7	13, 15, 30
		56	ERM3104	455	K	10.97	24	73.4	230/460	0.7	13, 15, 30
1/2	1800	48	ERM3009	480	K	10.34	24	73.4	230/460	0.8	12, 15, 30
		48	ERM3010	489	K	11.84	31	78.2	230/460	0.8	12, 15, 30
		56	ERM3108	489	K	11.97	31	78.2	230/460	0.8	12, 15, 30
3/4	1800	56	ERM3111	485	K	10.97	24	76.8	230/460	1.2	12, 15, 30
		56	ERM3112	539	K	11.42	38	84	208-230/460	1.3	12, 15
1	1800	56	ERM3115	512	K	12.47	27	77	230/460	1.6	12, 15, 30
		56	ERM3116	562	K	11.42	37	83.5	230/460	1.45	15, 30
1 1/2	1800	56H	ERM3120	543	K	11.42	34	84	208-230/460	2	15
		56H	ERM3154	580	K	12.42	41	86.5	208-230/460	2.2	15
2	1800	56H	ERM3155	630	K	12.42	43	85.5	230/460	2.6	15
		56H	ERM3157	608	K	12.42	43	86.5	208-230/460	2.9	15

(a) See notes on inside back flap.
Red Catalog Number indicates **NEW** Product.

General Information

Single Phase Motors

General Purpose Industrial Motors

Severe Duty Motors

Large AC Motors

Washdown Duty Motors

Explosion Proof Motors

Pump Motors

HVAC Motors

Farm Duty Motors

Three Phase, ODP

1/3 thru 5 Hp



Features:

- Terminal panel for ease of connectivity
- Automatic thermal overload protection
- Lubed for life double shielded bearings

Applications:

- Fans
- Pumps
- Blowers
- Condensers
- Air Handling
- HVAC Systems
- General Purpose Applications

Hp	RPM	NEMA Frame	Catalog Number	List Price	Mult. Sym.	“C” Dim.	Aprx. Wt. (lb)	Full Load Efficiency	Voltage	Full Load Amps	Notes (a)
Foot Mounted											
5	1800	184T	EHM3218TA	1,076	L1	16.50	84	89.5	230/460	6.6	11, 30
Resilient Base											
1/3	1800	48	RM3007A	321	K	10.34	21	68	230/460	0.8	12, 30
1/2	1800	56H	RM3108A	487	K	10.97	25	72	230/460	0.9	12, 30, 36
3/4	1800	56H	RM3112A	524	K	11.59	32	74	230/460	1.5	12, 30, 36, 96
1	1800	56H	RM3116A	546	K	12.47	32	78.5	230/460	2	30, 36, 96
1 1/2	1800	56H	RM3154A	580	K	12.04	34	78.5	208-230/460	2.4	36
2	1800	56H	RM3157A	665	K	12.42	40	81.5	208-230/460	2.9	36
3	3600	145TY	ERM3158TA	797	L1	13.64	48	85.5	230/460	3.8	30
5	3600	145TY	ERHM3162TA	1,138	L1	15.02	60	86.5	230/460	6.1	30

(a) See notes on inside back flap.

(PSC) - Direct Drive Fan, Single Phase, Foot Mounted, TEAO

1/4 thru 1/2 Hp



Features:

- 1” extended through bolts for grille mounting
- Terminal panel for ease of connectivity
- Automatic thermal overload protection
- Lubed for life double shielded bearings
- Switchless design for increased reliability

Applications:

- Fans
- Pumps
- Blowers
- Condensers
- Air Handling
- HVAC Systems
- General Purpose Applications

Hp	RPM	NEMA Frame	Catalog Number	List Price	Mult. Sym.	“C” Dim.	Aprx. Wt. (lb)	Full Load Efficiency	Voltage	Full Load Amps	Notes (a)
1/4	1800	48Z	PSC3413A	400	K	11.34	19	65.5	115/230	1.3	2, 29
1/3	1800	48Z	PSC3416A	444	K	11.34	21	62	115/230	1.8	2, 29
1/2	1800	48Z	PSC3524A	487	K	11.96	24	65	115/230	3	2, 29

(a) See notes on inside back flap.

Direct Drive Fan, Single and Three Phase, TEAO

1/4 thru 1 Hp



Features:

- Resilient cushion base for low noise and reduced vibration
- 1" extended through bolts for grille mounting
- Terminal panel for ease of connectivity
- Automatic thermal overload protection
- Lubed for life double shielded bearings

Applications:

- Fans
- Pumps
- Blowers
- Condensers
- Air Handling
- HVAC Systems
- General Purpose Applications

Hp	RPM	NEMA Frame	Catalog Number	List Price	Mult. Sym.	"C" Dim.	Aprx. Wt. (lb)	Voltage	Full Load Amps	S.F.	Notes (a)
Single Phase, Permanent Split Capacitor											
1/4	1800	48Z	CHC144A	347	K	11.35	21	115/230	1.4	1	30
	1200	48Z	CHC164A	403	K	11.35	22	115/230	1.5	1.15	30
1/3	1800	48Z	CHC244A	387	K	11.35	22	115/230	1.7	1.15	30
	1200	48Z	CHC264A	467	K	11.35	26	115/230	1.8	1.15	30
1/2	1800	56YZ	CHC345A	438	K	12.70	27	115/230	2.6	1.15	30
	1200	56YZ	CHC365A	504	K	13.58	31	115/230	3.2	1.15	30
3/4	1800	56YZ	CHC445A	499	K	13.58	35	115/230	3.7	1.15	
	1200	56	CHC565A	722	K	13.92	51	115/230	5.3	1	20
Three Phase											
1/4	1200	48YZ	CHM164A	408	K	11.34	20	230/460	0.7	1.25	30, 96
1/3	1200	48YZ	CHM264A	435	K	11.34	19	230/460	0.9	1.25	30
1/2	1800	48YZ	CHM344A	416	K	11.34	23	230/460	1.1	1.25	30
		56YZ	CHM345A	419	K	12.08	24	230/460	1.1	1.25	30
	1200	48YZ	CHM364A	473	K	11.96	25	230/460	1.2	1.25	30
		56YZ	CHM365A	477	K	12.70	28	230/460	1.2	1.25	30
3/4	1200	56YZ	CHM465A	545	K	13.58	34	208-230/460	1.5	1.15	
1	1800	56YZ	CHM545A	526	K	13.58	34	208-230/460	1.7	1.15	
	1200	56	CHM565A	620	K	13.04	40	208-230/460	1.8	1.15	

(a) See notes on inside back flap.

Yoke/Pedestal Fan, Single Phase, PSC, TEAO

1/4 thru 1/2 Hp



Features:

- Robust stamped steel pedestal mount
- 1" extended through bolts for grille mounting
- Terminal panel for ease of connectivity
- Automatic thermal overload protection
- Lubed for life double shielded bearings
- Switchless design for increased reliability

Applications:

- Fans
- Pumps
- Blowers
- Condensers
- Air Handling
- HVAC Systems
- General Purpose Applications

Hp	RPM	NEMA Frame	Catalog Number	List Price	Mult. Sym.	"C" Dim.	Aprx. Wt. (lb)	Voltage	Full Load Amps	S.F.	Notes (a)
1/4	1800	48YZ	YPC144A	297	K	10.68	18	115	2.5	1	
	1200	48YZ	YPC164A	337	K	10.68	22	115	2.8	1	
1/3	1800	48YZ	YPC244A	321	K	10.68	21	115	3.4	1	
		56YZ	YPC245A	326	K	10.68	21	115	3.4	1	
1/2	1200	48YZ	YPC264A	369	K	10.68	22	115	3.5	1	
		56YZ	YPC344A	369	K	10.68	22	115	5.1	1	
	1800	48YZ	YPC344A	369	K	10.68	22	115	5.1	1	
		56YZ	YPC345A	374	K	10.68	24	115	5.1	1	
1200	48YZ	YPC364A	422	K	11.31	27	115	5.4	1		

(a) See notes on inside back flap.

General Information

Single Phase Motors

General Purpose Industrial Motors

Severe Duty Motors

Large AC Motors

Washdown Duty Motors

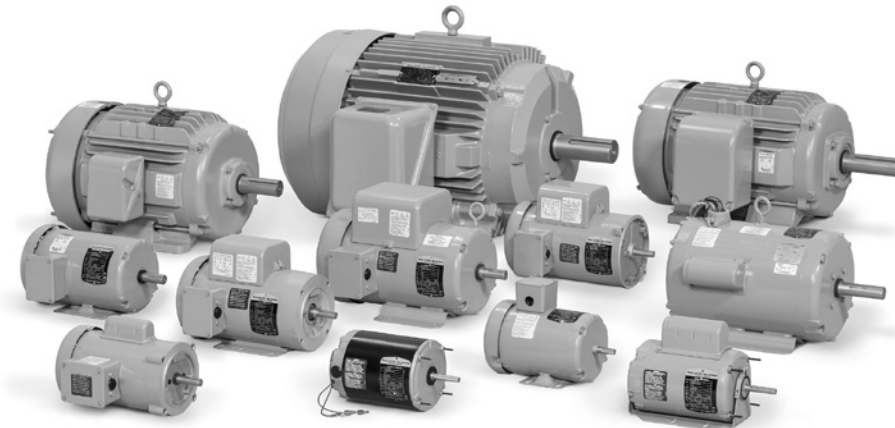
Explosion Proof Motors

Pump Motors

HVAC Motors

Farm Duty Motors

Baldor offers one of the most complete lines of farm duty motors available on the market. As the largest motor manufacturer in North America, Baldor has led the market for farm duty motors for years. We have the motor for just about any agricultural applications you may have.



Key Features:

- Dynamically balanced rotor to reduce noise and increased bearing life
- Color coded and numbered leads for ease of connectivity
- Corrosion resistant brown epoxy finish
- Optimized windings to protect against voltage drop and phase shift
- Baldor•Reliance motors meet or exceed all efficiency requirements for US, Canada and Mexico regulations

1/3 - 100 Horsepower

Product Line – TEFC, ODP, TEAO, OPAO & TENV enclosures		Super-E	Grain Dryer/ Centrifugal Fan	Grain Dryer/ Vane Axial Fan	Universal Crop Dryer	Aeration Fan	(PSC)- Direct Drive Fan
NEMA Frame sizes		56-405T	184TZ-326TZ	145TZ-215TZ	184Z-215Z	56Z-145T	48Z-56Z
Electrical Features							
Efficiency	Super-E motor designs meet or exceed NEMA Premium® requirements	S	S	S	-	S	-
Torque	NEMA Design B Torques as a minimum	S	-	S	-	S	-
Service Factor & Temp. Rise	1.0 Service Factor – Continuous	S	S	S	S	S	S
	1.15 Service Factor	S	S	S	-	-	-
	1.25 Service Factor	-	-	-	-	S	-
	Class F insulation with Class B rise	S	S	S	S	S	S
Windings	Single Phase	S	S	S	S	S	S
	Three Phase	S	S	S	-	S	-
	Corona inception testing – meets NEMA Part 31.4.4.2	S	S	S	S	S	S
	Single dip & bake with 100% solids epoxy	S	S	S	S	S	S
Connections	Grounding terminal inside main conduit box	S	S	S	S	S	S
Document	Documented final motor tests – ship with motor	A	A	A	A	A	A
Mechanical Features							
Frame	Steel Band Frame – cast iron endplates & conduit box, steel fan cover	S	S	S	S	S	S
	Cast Iron Frame – cast iron endplates & conduit box, steel fan cover	S	S	-	-	-	-
	Screens on ODP to protect against entry or trash, snakes or rodents	-	S	S	S	-	-
Conduit Box	Oversized Conduit box rotatable in 90 degree increments on three phase motors	A	A	A	-	A	-
	Gasketed Conduit box	S	A	A	A	A	-
	NPT Threaded lead inlet hole in conduit box	S	S	-	S	S	S
Lubrication	Lubrication fittings on T frames	S	-	-	-	S	-
	Grease inlet fitting – DE & ODE on bearings not sealed	-	-	-	S	S	-
	Mobil Polyrex™ Em Moisture resistant grease	S	S	S	A	A	S
Shaft Seals	Lip and V-Ring seal on drive end	S	S	S	S	-	-
Cooling	Non-metallic external cooling fan	S	S	-	-	-	-
Paint	Corrosion resistant E-Coat	S	S	S	S	S	S
	Painted with brown 2-part epoxy primer and epoxy finish coat	S	S	S	S	S	S
Nameplate	Laser etched nameplate with highly legible font	S	S	S	S	S	S

S = Standard
A = Available through Mod Express or as custom

BALDOR • RELIANCE**Super-E[®], Three Phase, TEFC****Farm Duty Motors****1 thru 100 Hp****Features:**

- Lubed for life double sealed ball bearings
- Lip seal and V-Ring slinger on DE for increased moisture resistance
- Designed for longevity with 3 year warranty
- Suitable for inverter use per NEMA MG1 Part 31.4.4.2

Applications:

- Industrial Fans
- General Purpose farm
- Industrial Pumps

Hp	RPM	NEMA Frame	Catalog Number	List Price	Mult. Sym.	"C" Dim.	Aprx. Wt. (lb)	Full Load Efficiency	Voltage	Full Load Amps	Notes (a)
1	1800	56	FDEM3546	719	K	12.23	38	85.5	230/460	1.5	1, 30
		143T	FDEM3546T	728	L1	12.31	38	85.5	230/460	1.5	1, 30
1 1/2	1800	56	FDEM3554	735	K	13.23	41	86.5	230/460	2.2	1, 30
		145T	FDEM3554T	749	L1	13.31	41	86.5	230/460	2.2	1, 30
2	1800	56	FDEM3558	753	K	13.23	45	86.5	230/460	2.9	1, 30
		145T	FDEM3558T	776	L1	13.31	45	86.5	230/460	2.9	1, 30
3	3600	182T	FDEM3610T	891	L1	16.52	64	87.5	230/460	3.5	1, 30
	1800	182T	FDEM3611T	860	L1	16.55	70	89.5	230/460	4.2	1, 30
5	3600	184T	FDEM3613T	998	L1	16.55	74	88.5	230/460	5.9	1, 30
	1800	184T	FDEM3615T	939	L1	18.05	93	89.5	230/460	6.7	1, 30
7 1/2	3600	213T	FDEM3709T	1,490	L1	17.89	121	89.5	230/460	9	1, 30
	1800	213T	FDEM3710T	1,351	L1	19.02	127	91.7	230/460	9.4	1, 30
10	3600	215T	FDEM3711T	1,510	L1	17.89	118	90.2	230/460	11.8	1, 30
	1800	215T	FDEM3714T	1,522	L1	20.52	165	91.7	230/460	12	1, 30
15	3600	254T	FDEM2394T	2,560	L1	23.66	254	91	230/460	17.5	1, 30
	1800	254T	FDEM2333T	2,346	L1	23.66	270	92.4	230/460	18.1	1, 30
20	3600	256T	FDEM4106T	2,806	L1	23.66	271	91	230/460	23	1, 30
	1800	256T	FDEM2334T	2,836	L1	23.66	300	93	230/460	24	1, 30
25	3600	284TS	FDEM4107T	3,659	L1	24.71	323	91.7	230/460	29	1, 30
	1800	284T	FDEM4103T	3,707	L1	27.76	380	93.6	230/460	30	1, 30
30	3600	286TS	FDEM4108T	4,338	L1	24.71	323	91.7	230/460	34	1, 30
	1800	286T	FDEM4104T	4,388	L1	27.76	425	93.6	230/460	38	1, 30
40	3600	324TS	FDEM4109T	5,977	L1	28.78	528	92.4	230/460	46	1, 30
	1800	324T	FDEM4110T	5,773	L1	30.28	567	94.1	230/460	48	1, 30
50	3600	326TS	FDEM4114T	6,529	L1	28.78	575	93	230/460	56	1, 30
	1800	326T	FDEM4115T	6,299	L1	30.28	610	94.5	230/460	58	1, 30
60	1800	364T	FDEM4314T	9,044	L1	33.48	910	95	230/460	67.8	1, 30
75	1800	365T	FDEM4316T	10,544	L1	33.48	977	95.4	230/460	84.9	1, 30
100	1800	405T	FDEM4400T	13,127	L1	38.19	1,326	95.4	230/460	112	1, 30

(a) See notes on inside back flap.

Red Catalog Number indicates **NEW** Product.

■ Cast Iron Frame

Single Phase, TEFC

1/3 thru 10 Hp



Features:

- Lubed for life double sealed ball bearings
- Lip seal and V-Ring slinger on DE for increased moisture resistance
- Gasketed manual reset thermal overload protection

Applications:

- Agri-duty
- Industrial Fans
- General Purpose farm
- Industrial Pumps

Hp	RPM	NEMA Frame	Catalog Number	List Price	Mult. Sym.	"C" Dim.	Aprx. Wt. (lb)	Full Load Efficiency	Voltage	Full Load Amps	Notes (a)
Foot Mounted											
1/3	1800	56	FDL3501M	431	K	11.35	23	60	115/230	3	13, 30
1/2	1800	56	FDL3504M	503	K	11.97	28	68	115/230	3.7	12, 30
3/4	1800	56	FDL3507M	591	K	13.35	37	74	115/230	4.4	12
1	1800	56H	FDL3510M	669	K	12.93	41	67	115/230	6.5	30
		143T	FDL3510TM	669	L1	13.29	40	67	115/230	6.5	30
1 1/2	1800	56H	FDL3514M	753	K	13.91	49	80	115/230	6.2	2
		145T	FDL3514TM	755	L1	14.17	51	80	115/208-230	6.2	2
C-Face, Foot Mounted											
1/2	1800	56C	CFDL3504M	661	K	11.97	28	68	115/230	3.7	12, 30
3/4	1800	56C	CFDL3507M	768	K	13.35	39	74	115/230	4.4	12
1	1800	56CH	CFDL3510M	867	K	13.25	47	67	115/230	6.5	30
1 1/2	1800	56CH	CFDL3514M	975	K	14.12	51	80	115/208-230	6.2	2
2	1800	56CHZ	CFDL3516TM	1,236	K	14.13	53	82.5	230	7.9	1
C-Face, Footless											
1/3	1800	56C	VFDL3501M	557	K	11.35	23	60	115/230	3	13, 30
1/2	1800	56C	VFDL3504M	638	K	11.97	27	68	115/230	3.7	12, 30
3/4	1800	56C	VFDL3507M	742	K	13.35	44	74	115/230	4.4	12
1	1800	56C	VFDL3510M	840	K	13.25	40	67	115/230	6.5	30
1 1/2	1800	56C	VFDL3514M	951	K	14.12	48	80	115/208-230	6.2	2
Foot Mounted, Extra High Torque											
2	1800	56HZ	FDL3516TM	1,065	K	14.19	51	82.5	230	7.9	1
		182T	FDL3611TM	1,201	L1	16.55	77	75	115/230	14	2
		184	FDL3611M	1,233	L1	15.67	76	74	115/230	12.4	2
3	1800	184	FDL3610M	1,463	L1	17.18	90	80	230	15.5	2, 20
		184T	FDL3610TM	1,428	L1	18.05	90	80	230	15.5	2, 20
		184T	FDL3619TM	1,150	L1	16.54	82	81.5	230	13.2	2, 20
5	1800	184T	FDL3612TM	1,499	L1	18.05	100	80	230	23	2, 20
		215	FDL3731M	1,841	L1	18.65	126	84	230	20.5	2, 20
7 1/2	1800	213	FDL3732M	2,120	L1	18.65	147	84	230	30	2, 20
		213T	FDL3733TM	1,951	L1	19.02	146	84	230	30	2, 20
10	1800	215T	FDL3712TM	2,144	L1	20.77	160	84	230	40	2, 20, 89
		215T	FDL3737TM	2,282	L1	21.27	169	86.5	230	39	2, 20, 89
C-Face, Footless, Extra High Torque											
2	1800	145TC	VFDL3516TM	1,236	L1	14.17	53	82.5	230	7.9	1, 20
3	1800	184TC	VFDL3610TM	1,674	L1	18.05	98	80	230	15.5	2, 20
5	1800	184TC	VFDL3612TM	2,044	L1	18.33	101	80	230	23	2, 20
C-Face, Footless, F-2, Extra High Torque											
2	1800	145TC	VFDFL3516TM	1,236	L1	14.17	53	82.5	230	7.9	1, 20
3	1800	184TC	VFDFL3610TM	1,674	L1	18.05	98	80	230	15.5	2, 20
5	1800	184TC	VFDFL3612TM	2,044	L1	18.33	101	80	230	23	2, 20

(a) See notes on inside back flap.

Red Catalog Number indicates **NEW** Product.

Grain Dryer/Centrifugal Fan, Single and Three Phase, TEFC and ODP

3 thru 50 Hp



Features:

- Shaft length 1" longer than NEMA standard
- Lubed for life double sealed ball bearings
- Lip seal and V-Ring slinger on DE for increased moisture resistance
- Screens on ODP to protect against trash and debris

Applications:

- High pressure grain drying
- Farm building fans

Hp	RPM	NEMA Frame	Catalog Number	List Price	Mult. Sym.	"C" Dim.	Aprx. Wt. (lb)	Full Load Efficiency	Voltage	Full Load Amps	Notes (a)
Single Phase, Open Drip Proof											
5	1800	184TZ	GDL1605T	1,623	L1	19.06	97	80	230	22.5	2, 20
7 1/2	1800	215TZ	GDL1607T	2,135	L1	22.57	142	82.5	230	32	1, 20
10	1800	215TZ	GDL1610T	2,470	L1	22.85	160	84	230	40	2, 20
16	1800	256TZ	GDL1615T	3,675	L1	24.19	271	86.5	208-230	62	2, 20
Single Phase, Totally Enclosed Fan Cooled											
5	1800	184TZ	GDL3665T	2,029	L1	16.41	100	82.5	230	21	2, 20
7 1/2	1800	215TZ	GDL3770T	2,669	L1	19.45	198	85.5	230	29.6	1
10	1800	215TZ	GDL3774T	3,087	L1	19.45	210	86.5	230	38	2, 20
16	1800	256TZ	GDL2333T	4,594	L1	24.28	310	88.5	208-230	60	2, 20
Three Phase, Open Drip Proof											
5	1800	184TZ	EGDM3218T	1,073	L1	17.50	92	89.5	230/460	6.6	1, 30
		184TZ	GDM3218T	898	L1	16.00	68	87.5	208-230/460	7.2	16
7 1/2	1800	213TZ	EGDM3311T	1,573	L1	17.32	120	91	230/460	9.7	1, 30
		213TZ	GDM3311T	1,274	L1	18.00	92	88.5	208-230/460	9.9	16
10	1800	215TZ	EGDM3313T	1,864	L1	18.45	132	91.7	230/460	12.5	1, 30
		215TZ	GDM3313T	1,544	L1	17.32	116	89.5	208-230/460	13.4	16
15	1800	254TZ	EGDM2513T	2,580	L1	22.69	239	93	230/460	17.7	1, 30
		254TZ	GDM2513T	1,900	L1	21.00	156	91	208-230/460	19	1, 16
20	1800	256TZ	EGDM2515T	2,986	L1	22.69	245	93	230/460	23.5	1, 30
		256TZ	GDM2515T	2,502	L1	23.25	187	91.7	230/460	24	16, 30
25	1800	284TZ	EGDM2531T	3,692	L1	26.06	375	93.6	230/460	30	1, 30
		284TZ	GDM2531T	3,074	L1	24.44	245	91.7	230/460	31	16, 30
30	1800	286TZ	EGDM2535T	4,130	L1	26.06	382	94.1	230/460	35	1, 30
		286TZ	GDM2535T	3,575	L1	25.94	281	92.4	230/460	36	16, 30
Three Phase, Totally Enclosed Fan Cooled											
3	1800	182TZ	EGDM3661T	1,376	L1	16.98	105	89.5	230/460	4.1	1, 30
5	1800	184TZ	EGDM3615T	1,407	L1	19.05	95	89.5	230/460	6.7	1, 30
		184TZ	GDM3615T	1,082	L1	17.55	80	87.5	208-230/460	6.8	1, 16
		184TZ	EGDM3665T	1,568	L1	16.98	119	89.5	230/460	6.6	1, 30
7 1/2	1800	213TZ	EGDM3710T	1,732	L1	20.03	127	91.7	230/460	9.4	1, 30
		213TZ	GDM3710T	1,356	L1	18.90	117	89.5	208-230/460	10.1	1, 16
		213TZ	EGDM3770T	1,929	L1	19.45	170	91.7	230/460	9.5	1, 30
10	1800	215TZ	EGDM3714T	2,515	L1	21.53	165	91.7	230/460	12	1, 30
		215TZ	GDM3714T	2,164	L1	20.03	131	89.5	208-230/460	13.5	1, 16
		215TZ	EGDM3774T	2,775	L1	19.45	231	91.7	230/460	12.5	1, 30
15	1800	254TZ	EGDM2333T	3,393	L1	24.66	255	92.4	230/460	18.1	1, 30
		254TZ	GDM2333T	2,868	L1	22.07	231	89.5	208-230/460	18.9	1, 16
20	1800	256TZ	EGDM2334T	3,592	L1	24.66	303	93	230/460	24	1, 30
		256TZ	GDM2334T	3,067	L1	23.83	245	91	230/460	25	1, 16, 30
25	1800	284TZ	EGDM4103T	4,523	L1	28.76	422	93.6	230/460	30	30
		284TZ	GDM4103T	4,358	L1	26.93	345	92.4	230/460	29	1, 16, 30
30	1800	286TZ	EGDM4104T	5,302	L1	28.76	460	93.6	230/460	38	30
		286TZ	GDM4104T	5,137	L1	26.93	366	92.4	230/460	36	1, 16, 30
40	1800	324TZ	EGDM4110T	7,030	L1	31.28	578	94.1	230/460	48	30
		324TZ	GDM4110T	6,855	L1	31.28	497	93	230/460	47	1, 16, 30
50	1800	326TZ	EGDM4115T	7,271	L1	31.28	608	94.5	230/460	58	30
		326TZ	GDM4115T	7,096	L1	31.28	552	91	230/460	60	1, 16, 30

(a) See notes on inside back flap. Red Catalog Number indicates **NEW** Product. Cast Iron Frame

Grain Dryer/Vane Axial Fan, Single and Three Phase, TEAO and OPAO

1 1/2 thru 15 Hp



Features:

- Shaft length 3/4" longer than NEMA standard
- 1/4-20 tapped and keyed shaft
- Convenient lead location for ease of conduit connectivity
- Normally closed winding thermostats to protect against overheating
- Lubed for life double sealed ball bearings on TEAO motors
- Lip seal and V-Ring slinger on DE for increased moisture resistance on TEAO motors

Applications:

- Vane axial fan crop dryers

Hp	RPM	NEMA Frame	Catalog Number	List Price	Mult. Sym.	"C" Dim.	Aprx. Wt. (lb)	Full Load Efficiency	Voltage	Full Load Amps	Notes (a)
Single Phase, Totally Enclosed Air Over											
1.5/3	3600	145TZ	UCLE153	1,078	L1	14.25	52	85.5	230	12.5	1, 30
3/4.5	3600	145TZ	UCLE3145	1,104	L1	15.62	61	82.5	230	12.5	2, 20
5/7.5	3600	182TZ	UCLE570	1,344	L1	16.88	93	84	230	20.5	2, 8
7.5/10	3600	182TZ	UCLE7510	1,453	L1	16.88	95	85.5	230	38	2, 20, 30
10/15	3600	215Z	UCLE1015	2,252	L1	18.56	167	89	230	46	2, 20
Single Phase, Open Air Over											
3/4.5	3600	145TZ	UCL3145	1,043	L1	15.62	59	77.8	230	14.3	2, 20
		182Z	UCL345	1,086	L1	14.88	72	74	230	22	2, 20
5/7.5	3600	182TZ	UCL570	1,283	L1	16.88	91	80	230	35	2, 20
7.5/10	3600	182TZ	UCL710	1,376	L1	16.88	89	85	230	31	2, 20
7.5/10.5	3600	215Z	UCL7510	1,742	L1	17.44	107	81	230	37	2, 20
10/15	3600	215Z	UCL1015	2,212	L1	17.81	137	84	230	44	2, 20
Three Phase, Totally Enclosed Air Over											
1.5/3	3600	145TZ	UCME153	758	L1	13.37	39	80	208-230/460	4.1	2, 20
3/4.5	3600	143TZ	UCME3145	801	L1	13.37	46	84.5	208-230/460	6	2, 8
5/7.5	3600	184TZ	UCME570	1,006	L1	15.38	69	84	230/460	9	2, 20, 30
7.5/10	3600	184TZ	UCME7510	1,180	L1	16.88	85	86.5	230/460	11.5	2, 20, 30
7.5/9.2	3600	184TZ	UCME759	1,180	L1	16.88	84	89.5	208-230/460	8.5	2, 20
10/14	3600	215Z	UCME1014	1,507	L1	16.69	124	87.5	208-230/460	16.5	2, 20
Three Phase, Open Air Over											
5/7.5	3600	184TZ	UCM575	949	L1	15.38	66	84	230/460	9.5	2, 20
7.5/10	3600	184TZ	UCM713	1,135	L1	16.88	89	84	208-230/460	12	2
10/15	3600	215Z	UCM1014	1,459	L1	16.69	102	85.5	208-230/460	18	2, 20

(a) See notes on inside back flap.

General Information

Single Phase Motors

General Purpose Industrial Motors

Severe Duty Motors

Large AC Motors

Washdown Duty Motors

Explosion Proof Motors

Pump Motors

HVAC Motors

Farm Duty Motors

Universal Crop Dryer, Single Phase, PSC (switchless), OPAO

5 thru 15 Hp



Features:

- Shaft length 3/4" longer than NEMA standard
- 1/4-20 tapped and keyed shaft
- Convenient lead location for ease of conduit connectivity
- Switchless design for increased reliability
- Lubed for life double shielded ball bearings
- Normally closed winding thermostats to protect against overheating

Applications:

- Vane axial fan crop dryers

Hp	RPM	NEMA Frame	Catalog Number	List Price	Mult. Sym.	"C" Dim.	Aprx. Wt. (lb)	Full Load Efficiency	Voltage	Full Load Amps	Notes (a)
Open Air Over											
5/7.5	3600	184TZ	UCC5700	1,150	L1	15.38	74	79	230	19.5	
7.5/10	3600	184TZ	UCC7100	1,264	L1	16.88	78	85.5	230	28	
10/15	3600	215Z	UCC10150	2,389	L1	18.57	127	83	230	41	

(a) See notes on inside back flap.

Irrigation Tower Drive, Three Phase, TENV

1 Hp



Features:

- Weatherproof construction with sealed fits between endplates and frame
- Integral cast conduit box for increased ingress protection
- Automatic thermal overload protection
- Lubed for life double sealed ball bearings

Applications:

- Irrigation tower drive motors

Hp	RPM	NEMA Frame	Catalog Number	List Price	Mult. Sym.	"C" Dim.	Aprx. Wt. (lb)	Full Load Efficiency	Voltage	Full Load Amps	Notes (a)
No Endplate, Footless											
1	1800	56YZ	EIM3540A-P	813	K	11.02	43	85.5	460	1.7	
C-Face, Footless											
1	1800	56C	EIM3540A	838	K	13.27	42	85.5	460	1.7	

(a) See notes on inside back flap.

Gearboxes not included in price.

Red Catalog Number indicates **NEW** Product.

Auger Drive, Single Phase, TEFC, Flange Mount, Capacitor Start

1/3 thru 1 1/2 Hp



Features:

- Mechanically protected centrifugal switch from over speeding
- Extended opposite DE shaft for manual jog
- Gasketed manual reset thermal overload protection
- Lubed for life double shielded ball bearings
- NEMA 56N flange for industry standard drive/gear connection

Applications:

- Poultry feed auger drive systems

Hp	RPM	NEMA Frame	Catalog Number	List Price	Mult. Sym.	“C” Dim.	Aprx. Wt. (lb)	Full Load Efficiency	Voltage	Full Load Amps	Notes (a)
1/3	1800	48YZ	ANFL3501M	522	K	12.44	24	60	115/230	3	12, 30
1/2	1800	48YZ	ANFL3504M	586	K	12.44	28	68	115/230	3.7	12, 30
3/4	1800	48YZ	ANFL3507M	683	K	13.32	34	74	115/230	4.1	12, 30
1	1800	56YZ	ANFL3510M	843	K	13.55	41	67	115/230	6.5	30
1 1/2	1800	56YZ	ANFL3514M	1,252	K	14.43	49	75.5	115/230	9	2, 30

(a) See notes on inside back flap.

Grain Stirring, Single Phase, TEFC, Foot Mounted

1 1/2 Hp



Features:

- Slotted fan cover on DE to prevent clogging
- Gasketed manual reset thermal overload protection
- Lubed for life double shielded ball bearings

Applications:

- Inside bin grain stirring systems

Hp	RPM	NEMA Frame	Catalog Number	List Price	Mult. Sym.	“C” Dim.	Aprx. Wt. (lb)	Full Load Efficiency	Voltage	Full Load Amps	Notes (a)
1 1/2	1800	56Z	GSL3509M	776	K	12.29	41	80	208-230	6.4	

(a) See notes on inside back flap.

General Information

Single Phase Motors

General Purpose Industrial Motors

Severe Duty Motors

Large AC Motors

Washdown Duty Motors

Explosion Proof Motors

Pump Motors

HVAC Motors

Farm Duty Motors

BALDOR • RELIANCE**Farm Duty Motors****Instant Reversing, Single Phase, TEFC, Foot Mounted****3/4 thru 1 Hp****Features:**

- High starting torque
- Electrically designed for optimal performance in instant reversing applications
- Gasketed manual reset thermal overload protection
- Lubed for life double shielded ball bearings

Applications:

- Barn cleaners
- Bulk feeders
- Mechanical Gates/Doors
- Hoists

Hp	RPM	NEMA Frame	Catalog Number	List Price	Mult. Sym.	"C" Dim.	Aprx. Wt. (lb)	Full Load Efficiency	Voltage	Full Load Amps	Notes (a)
3/4	1800	56Y	IR3507M	644	K	13.25	40	70	115/208-230	4.6	2
1	1800	56	IR3510M	698	K	13.25	40	65	230	6.2	1

(a) See notes on inside back flap.

Aeration Fan, Single and Three Phase, TEAO, Foot Mounted**3/4 thru 3 Hp****Features:**

- 1/4-20 tapped and keyed shaft
- Terminal panel for ease of connectivity
- Automatic thermal overload protection (single phase)
- Normally closed winding thermostats to protect against overheating (three phase)
- Lubed for life double shielded ball bearings

Applications:

- Aeration fans for grain storage
- Exhaust fans
- Air handling systems

Hp	RPM	NEMA Frame	Catalog Number	List Price	Mult. Sym.	"C" Dim.	Aprx. Wt. (lb)	Full Load Efficiency	Voltage	Full Load Amps	Notes (a)
Single Phase											
3/4	3600	56Z	AFL3520A	399	K	11.59	29	71	115/230	5.5	2
1	3600	56	AFL3521A	470	K	12.68	39	66	115/230	6	2
1 1/2	3600	56	AFL3525A	608	K	12.68	42	70	115/230	8.3	2, 30
		143TZ	AFL3522A	651	L1	12.74	43	70	115/230	8.3	2, 30
2	3600	143TZ	AFL3523A	795	L1	13.61	51	74	115/230	11.5	2
3	3600	145TZ	AFL3524A	829	L1	13.61	52	78	230	15	2
Three Phase											
3/4	3600	56Z	AFM3528	404	K	10.97	24	74	230/460	1.3	30
1	3600	56Z	AFM3529	439	K	10.97	22	75.5	230/460	1.8	30
1 1/2	3600	143TZ	AFM3530	507	L1	12.45	30	80	208-230/460	2.3	
3	3600	145T	AFM3532	672	L1	12.74	45	82.5	208-230/460	3.8	2

(a) See notes on inside back flap.

For more information visit baldor.com

(PSC) - Direct Drive Fan, Single Phase, TEAO

1/4 thru 1/2 Hp



Features:

- Switchless design for increased reliability
- 1" extended through bolts for grille mounting
- Terminal panel for ease of connectivity
- Automatic thermal overload protection
- Lubed for life double shielded ball bearings

Applications:

- Confinement houses
- Exhaust fans
- Air handling fans
- Unit heaters

Hp	RPM	NEMA Frame	Catalog Number	List Price	Mult. Sym.	"C" Dim.	Aprx. Wt. (lb)	Full Load Efficiency	Voltage	Full Load Amps	Notes (a)
1/4	1800	48Z	CHC3413A	399	K	11.35	22	54	115/230	2.4	2, 29
1/3	1800	48Z	CHC3416A	434	K	11.97	25	56	115/230	2.8	2, 29
	1200	48Z	CHC3417A	543	K	11.97	26	54	115/230	2.8	2, 29
1/2	1200	56Z	CHC3525A	623	K	13.54	40	70	115/230	2.6	2, 74
	900	56Z	CHC3526A	771	K	14.42	50	50	115/230	4.6	2, 74

(a) See notes on inside back flap.

Dairy/Vacuum Pump, Single Phase, TEFC, Foot Mounted

7 1/2 thru 10 Hp



Features:

- Gasketed manual reset thermal overload protection
- Oversized conduit/capacitor box for ease of connectivity
- Aluminum heat sync fan on DE for increased bearing life

Applications:

- Vacuum pumps dairy industry

Hp	RPM	NEMA Frame	Catalog Number	List Price	Mult. Sym.	"C" Dim.	Aprx. Wt. (lb)	Full Load Efficiency	Voltage	Full Load Amps	Notes (a)
7 1/2	1800	215T	DEL3733TM	2,956	L1	20.77	162	85	230	28	1
10	1800	215T	DEL3737TM	3,610	L1	21.27	160	86.5	230	39	8, 89

(a) See notes on inside back flap.

General Information

Single Phase Motors

General Purpose Industrial Motors

Severe Duty Motors

Large AC Motors

Washdown Duty Motors

Explosion Proof Motors

Pump Motors

HVAC Motors

Farm Duty Motors

Metering Pump, Three Phase, TEFC, Foot Mounted

1/3 Hp



Features:

- F3 conduit box location for optimal mounting clearance
- Lubed for life double shielded ball bearings
- 60 & 50 Hz data included for connection at either frequency

Applications:

- Metering pump systems

Hp	RPM	NEMA Frame	Catalog Number	List Price	Mult. Sym.	"C" Dim.	Aprx. Wt. (lb)	Voltage	Full Load Amps	Notes (a)
1/3	1800	48	MPM3458	391	K	10.72	20	230/460	0.8	2

(a) See notes on inside back flap.

General Information

Single Phase Motors

General Purpose Industrial Motors

Severe Duty Motors

Large AC Motors

Washdown Duty Motors

Explosion Proof Motors

Pump Motors

HVAC Motors

Farm Duty Motors

Incubator/Hatchery Vent Fan, Single Phase, TEAO

1/3 Hp



Features:

- Normally closed winding thermostats to protect against overheating
- 1" extended through bolts for grille mounting
- Terminal panel for ease of connectivity
- Pilot Circuit to facilitate system protection
- Flat slinger on DE for improved moisture protection
- Lubed for life double shielded ball bearings

Applications:

- Incubator/Hatchery Fans
- HVAC Condensers
- Grille mount vent fan applications

Hp	RPM	NEMA Frame	Catalog Number	List Price	Mult. Sym.	"C" Dim.	Aprx. Wt. (lb)	Voltage	Full Load Amps	S.F.	Notes (a)
1/3	1800	48Z	HIC264A	360	K	10.09	20	115/230	1.9	1.00	
		48Z	HIC274A	360	K	10.09	20	115/230	2.2	1.00	

(a) See notes on inside back flap.

Ammonia Refrigeration Compressor Motors
Three Phase, ODP, 460 & 2300/4160 Volt, Foot Mounted

150 thru 1000 Hp



Standard 460 Volt motor

Features:

- Low noise design
- 1.15 SF
- Meet or exceed all efficiency requirements for US, Canada and Mexico regulations
- Rated for across the line start
- Class F insulation with Class B temp rise
- Cast iron frame for reduced vibration and increased strength

Applications:

- Ammonia refrigeration compressors
- Pumps

Hp	RPM	NEMA Frame	Catalog Number	List Price	Mult. Sym.	"C" Dim.	Aprx. Wt. (lb)	Full Load Efficiency	Voltage	Full Load Amps	Notes (a)
460 Volts											
150	3600	404/5TS	EM251152T-4	13,117	L1	31.00	1140	95.4	460	167	1
200	3600	444/5TS	EM251202T-4	14,864	L1	35.81	1737	95.4	460	221	1
250	3600	444/5TS	EM251252T-4	17,437	L1	35.81	1539	95.4	460	274	1
300	3600	447TSS/TS	EM251302T-4	27,254	L1	39.31	1899	95.4	460	334	1
350	3600	447TSS/TS	EM251352T-4	31,190	L1	39.31	1899	95.4	460	381	1
400	3600	449TS	EM251402T-4	36,592	L1	44.31	4000	96.2	460	431	1
450	3600	449TS	EM251452T-4	40,294	L1	44.31	4000	96.2	460	494	1
500	3600	449TS	EM251502T-4	44,548	L1	39.37	2595	96.2	460	544	1
600	3600	5010	M250602S-4	47,729	LG	56.50	4200	95.6	460	673	1
2300/4160 Volts											
400	3600	449TS	M244402S-2341	32,791	LG	44.38	4000	95	2300/4160	48.9	1
500	3600	5008	M250502S-2341	45,766	LG	49.50	3200	94.8	2300/4160	61.9	1
600	3600	5010	M250602S-2341	47,564	LG	56.50	4200	95.2	2300/4160	72.7	1
700	3600	5010	M250702S-2341	49,901	LG	56.50	4200	95.2	2300/4160	85.3	1
800	3600	5810	M258802S-2341	64,295	LG	65.81	7000	95	2300/4160	98.9	1
900	3600	5810	M258902S-2341	71,196	LG	65.81	7000	95.2	2300/4160	111	1
1000	3600	5810	M2581002S-2341	77,398	LG	65.81	7000	95.2	2300/4160	141	1

(a) See notes on inside back flap

Custom induction motors available up to 30,000 Hp, contact your Baldor•Reliance Sales Representative for additional information.

Red Catalog Number indicates **NEW** Product.

■ Cast Iron Frame

Definite Purpose Motors

Unit Handling Motors

Brake Motors

IEC Frame Motors

50 Hertz Motors

Inverter/Vector Motors & Controls

DC Motors and Controls

Gearmotors and Gear Products

Motor Accessories

Grinders

Three Phase, Two Speed, TEFC, Foot Mounted

1/2 thru 25 Hp



Features:

- Dual speed ratings
- High performance ball bearings
- Dynamically balanced rotor
- Heavy duty steel or cast-iron frame

Applications:

- Fans
- Blowers
- Machine tools
- Hoists
- Conveyors
- Pumps

Hp	RPM	NEMA Frame	Catalog Number	List Price	Mult. Sym.	"C" Dim.	Aprx. Wt. (lb)	Voltage	Full Load Amps	Notes (a)
Constant Torque, One Winding, Low Voltage										
1/5	1800/900	143T	M1504T	1,189	L1	13.31	39	208-230	2.8	10, 71
1.5/1.75	1800/900	145T	M1505T	1,256	L1	14.19	47	230	4.1	8, 10, 71
2/1	1800/900	184T	M1506T	1,525	L1	16.54	64	208-230	5.5	10, 71
3/1.5	1800/900	184T	M1507T	1,727	L1	18.04	84	230	8.3	1, 10, 71
5/2.5	1800/900	215T	M1508T	2,256	L1	19.01	134	208-230	13	10, 71
7.5/3.8	1800/900	215T	M1509T	2,937	L1	20.51	185	230	18.9	1, 10, 71
Constant Torque, One Winding, High Voltage										
1/5	1800/900	143T	M1704T	1,189	L1	14.19	45	460	1.4	71
1.5/1.75	1800/900	145T	M1705T	1,256	L1	14.19	47	460	2.1	8, 71
2/1	1800/900	184T	M1706T	1,525	L1	16.54	65	460	2.8	71
3/1.5	1800/900	184T	M1707T	1,727	L1	18.04	84	460	4.2	1, 71
5/2.5	1800/900	215T	M1708T	2,256	L1	19.01	132	460	6.5	71
7.5/3.8	1800/900	215T	M1709T	2,937	L1	20.51	181	460	9.4	1, 71
10/5	1800/900	254T	M1710T	4,524	L1	23.28	263	460	13	1, 71
15/7.5	1800/900	256T	M1711T	5,238	L1	23.28	267	460	19.2	1, 71
20/10	1800/900	284T	M1712T	6,655	L1	27.76	378	460	25	1, 10, 71
25/13	1800/900	286T	M1713T	8,079	L1	27.76	397	460	29	1, 10, 71
Variable Torque, One Winding, Low Voltage										
1/2.5	1800/900	143T	M1554T	838	L1	12.31	33	208-230	3	10, 71
1.5/1.38	1800/900	145T	M1555T	871	L1	13.31	41	208-230	4.8	10, 71
2/1.5	1800/900	145T	M1556T	1012	L1	13.31	41	208-230	6.1	10, 71
3/1.75	1800/900	184T	M1557T	1,088	L1	16.54	65	208-230	8	1, 10, 71
5/1.3	1800/900	184T	M1558T	1,384	L1	18.04	83	208-230	13.5	10, 71
Variable Torque, One Winding, High Voltage										
1/2.5	1800/900	143T	M1754T	838	L1	12.31	33	460	1.7	1, 10, 71
1.5/1.38	1800/900	145T	M1755T	871	L1	13.31	38	460	2.3	10, 71
2/1.5	1800/900	145T	M1756T	1012	L1	14.19	45	460	3	71
3/1.75	1800/900	184T	M1757T	1,088	L1	16.54	63	460	4	1, 71
5/1.3	1800/900	184T	M1758T	1,384	L1	18.04	84	460	6.7	1, 71
7.5/1.9	1800/900	215T	M1759T	1,950	L1	19.01	136	460	9.3	1, 71
10/2.5	1800/900	215T	M1760T	2,297	L1	20.52	158	460	12.5	8, 71
15/3.75	1800/900	254T	M1761T	3,175	L1	23.28	247	460	19.6	1, 71
20/5	1800/900	284T	M1762T	3,753	L1	27.76	344	460	26	1, 71
25/6.3	1800/900	286T	M1763T	4,355	L1	27.76	384	460	32	1, 71
Variable Torque, Two Windings, Low Voltage										
.75/1.33	1800/1200	56	M1519	927	K	13.23	37	230	2.8	10, 71
1/1.44	1800/1200	145T	M1520T	968	L1	13.31	42	208-230	3.1	10, 71
1.5/1.67	1800/1200	182T	M1521T	1,195	L1	15.17	58	208-230	4.4	10, 71
2/1.89	1800/1200	182T	M1522T	1,371	L1	16.54	66	208-230	5.8	10, 71
3/1.3	1800/1200	184T	M1523T	1,604	L1	16.54	73	208-230	8	1, 10, 71
5/2.2	1800/1200	215T	M1524T	2,512	L1	19.01	126	230	12.8	1, 10, 71

(a) See notes on inside back flap. Cast Iron Frame

Three Phase, Two Speed, TEFC, Foot Mounted

Hp	RPM	NEMA Frame	Catalog Number	List Price	Mult. Sym.	"C" Dim.	Aprx. Wt. (lb)	Voltage	Full Load Amps	Notes (a)
Variable Torque, Two Windings, High Voltage										
.5/.22	1800/1200	56	M1718	864	K	12.23	29	460	1.1	10, 71
.75/.33	1800/1200	56	M1719	955	K	12.23	33	460	1.4	10, 71
1/.44	1800/1200	145T	M1720T	968	L1	13.31	35	460	1.6	10, 71
1.5/.67	1800/1200	182T	M1721T	1,195	L1	14.26	50	460	2.2	71
2/.89	1800/1200	182T	M1722T	1,371	L1	16.52	58	460	2.8	10, 71
3/1.3	1800/1200	184T	M1723T	1,604	L1	16.54	73	460	4	1, 71
5/2.2	1800/1200	215T	M1724T	2,512	L1	19.01	128	460	6.4	1, 71
7.5/3.3	1800/1200	254T	M1725T	3,247	L1	23.28	230	460	10.3	1, 10, 71
10/4.4	1800/1200	254T	M1726T	3,737	L1	21.07	225	460	12.5	1, 10, 71
15/6.7	1800/1200	284T	M1727T	4,435	L1	27.76	355	460	19.3	1, 10, 71
20/8.9	1800/1200	286T	M1728T	6,013	L1	27.76	390	460	27	1, 10, 71
25/11	1800/1200	324T	M1729T	6,334	L1	30.28	512	460	30	1, 10, 71

(a) See notes on inside back flap.
 ■ Cast Iron Frame

Definite Purpose Motors

Unit Handling Motors

Brake Motors

IEC Frame Motors

50 Hertz Motors

Inverter/Vector Motors & Controls

DC Motors and Controls

Gearmotors and Gear Products

Motor Accessories

Grinders

Three Phase, Two Speed, ODP, Foot Mounted

1/2 thru 25 Hp



Features:

- Dual speed ratings
- High performance ball bearings
- Dynamically balanced rotor
- Heavy duty steel or cast-iron frame

Applications:

- Fans
- Blowers
- Pumps

Hp	RPM	NEMA Frame	Catalog Number	List Price	Mult. Sym.	"C" Dim.	Aprx. Wt. (lb)	Voltage	Full Load Amps	Notes (a)
Variable Torque, One Winding, Low Voltage										
1/25	1800/900	143T	M1004T	798	L1	11.12	33	208-230	3	
1.5/38	1800/900	145T	M1005T	830	L1	12.13	38	208-230	4.4	
2/5	1800/900	145T	M1006T	958	L1	12.13	41	230	6.1	
3/75	1800/900	184T	M1007T	1029	L1	13.62	56	208-230	8	
5/1.3	1800/900	184T	M1008T	1,239	L1	15.00	71	230	13.2	1
7.5/1.9	1800/900	215T	M1009T	1,770	L1	16.32	113	230	20	10
10/2.5	1800/900	215T	M1010T	2,006	L1	17.45	133	208-230	25	1, 10
Variable Torque, One Winding, High Voltage										
1/25	1800/900	143T	M1204T	798	L1	11.12	33	460	1.5	
1.5/38	1800/900	145T	M1205T	830	L1	12.13	37	460	2.2	
2/5	1800/900	145T	M1206T	958	L1	12.13	41	460	3.1	
3/75	1800/900	184T	M1207T	1029	L1	13.62	56	460	4	
5/1.3	1800/900	184T	M1208T	1,239	L1	15.00	72	460	6.6	1
7.5/1.9	1800/900	215T	M1209T	1,770	L1	16.32	112	460	10	
10/2.5	1800/900	215T	M1210T	2,006	L1	17.45	132	460	13	1
15/3.8	1800/900	254T	M1211T	2,818	L1	21.69	206	460	20	1
20/5	1800/900	256T	M1212T	3,453	L1	21.69	204	460	26	1
25/6.3	1800/900	284T	M1213T	4,052	L1	23.81	300	460	34	10
Variable Torque, Two Windings, Low Voltage										
.75/33	1800/1200	56	M1019	857	K	12.07	36	230	2.8	
1/44	1800/1200	145T	M1020T	923	L1	12.13	41	230	3	10
1.5/67	1800/1200	182T	M1021T	1,119	L1	13.62	55	208-230	4.4	10
2/89	1800/1200	182T	M1022T	1,276	L1	15.00	64	230	5.8	10
3/1.3	1800/1200	184T	M1023T	1,486	L1	15.00	72	230	8	
5/2.2	1800/1200	215T	M1024T	2,287	L1	16.32	113	230	12.8	1, 10
Variable Torque, Two Windings, High Voltage										
.5/22	1800/1200	56	M1218	816	K	11.07	33	460	0.9	
.75/33	1800/1200	56	M1219	857	K	12.07	36	460	1.4	10
1/44	1800/1200	145T	M1220T	923	L1	12.13	41	460	1.9	
1.5/67	1800/1200	182T	M1221T	1,119	L1	13.62	55	460	2.2	10
2/89	1800/1200	182T	M1222T	1,276	L1	15.00	65	460	3	
3/1.3	1800/1200	184T	M1223T	1,486	L1	15.00	72	460	4	
5/2.2	1800/1200	215T	M1224T	2,287	L1	16.32	113	460	6.4	1
7.5/3.3	1800/1200	256T	M1225T	3,041	L1	22.25	148	460	9.9	
10/4.4	1800/1200	256T	M1226T	3,435	L1	22.25	172	460	12.7	1, 10
15/6.7	1800/1200	284T	M1227T	4,168	L1	23.81	288	460	18.1	10
20/8.9	1800/1200	286T	M1228T	5,590	L1	23.81	309	460	24	10

(a) See notes on inside back flap.

Pressure Washer, Single Phase, TEFC and ODP

1 1/2 thru 5 Hp

Definite Purpose Motors

Unit Handling Motors

Brake Motors

IEC Frame Motors

50 Hertz Motors

Inverter/Vector Motors & Controls

DC Motors and Controls

Gearmotors and Gear Products

Motor Accessories

Grinders



Features:

- Manual thermal overload
- Capacitor start, capacitor run
- 1 1/2 horsepower designs rated at 14 amps or less on 115 volts
- UL and CSA recognized component approval

Applications:

- Pressure washers
- Steam cleaners

Hp	RPM	NEMA Frame	Catalog Number	List Price	Mult. Sym.	"C" Dim.	Aprx. Wt. (lb)	Full Load Efficiency	Voltage	Full Load Amps	Notes (a)
Totally Enclosed Fan Cooled											
1 1/2	1800	56	PL3514M	842	K	14.12	51	82.5	115/230	6	
2	3600	56	PL3515M	767	K	13.25	42	77	115/230	8.8	1
	1800	56HZ	L3516TM	1,043	K	13.31	46	82.5	208-230	8.1	1, 57
3	3600	56	PL3519M	841	K	14.12	50	85.5	230	12.5	1, 30
	1800	184T	L3609TM	1,152	L1	16.54	79	78	115/230	14.5	2, 20
5	3600	184T	L3608TM	1,326	L1	18.05	89	83	230	19.5	2, 20
	1800	184T	L3612TM	1,339	L1	18.05	100	80	230	23	2, 20
Totally Enclosed Fan Cooled, C-Face											
1 1/2	3600	56C	PCL3513M	679	K	13.25	38	75.5	115/230	6.6	
	1800	56C	PCL3514M	885	K	14.12	54	82.5	115/230	6	
2	3600	56C	PCL3515M	805	K	13.24	43	77	115/230	8.8	1
	1800	145TC	CL3516TM	1,052	L1	14.16	53	82.5	208-230	7.9	1
3	3600	56C	PCL3519M	882	K	14.12	52	85.5	230	12.5	1, 30
	1800	184TC	CL3619TM	1,368	L1	16.54	81	81.5	230	13.2	2, 20
5	3600	184TC	CL3608TM	1,482	L1	18.05	92	83	230	19.5	2, 20
	1800	184TC	CL3612TM	1,434	L1	18.05	102	80	230	23	2, 20
Open Drip Proof											
2	1800	56	PL1322M	767	K	12.94	46	78.5	115/230	9.2	96
3	1800	184T	L1408TM	958	L1	15.00	74	78	115/230	16	
5	3600	56/56H	PL1327M	818	K	13.81	56	74.2	230	23	2, 20, 30, 36, 98
	1800	184T	L1410TM	1,165	L1	16.50	85	82.5	230	23	1, 30
Open Drip Proof, C-Face											
2	1800	56C	PCL1322M	795	K	12.94	48	78.5	115/230	9.2	96
3	1800	184TC	CL1408TM	1,012	L1	15.00	80	78	115/230	16	
5	3600	56HCY	PCL1327M	861	K	14.11	57	74.2	230	23	2, 20, 30, 36, 47, 98
	1800	184TC	CL1410TM	1,220	L1	16.50	88	82.5	230	23	1, 30

(a) See notes on inside back flap.

U-Frame, Three Phase, TEFC

3/4 thru 20 Hp



Features:

- Fan cooled
- High performance ball bearings
- Heavy-gauge steel and cast-iron frames
- Exxon Polyrex™ EM grease
- U-Frame mounting dimensions

Applications:

- Pumps
- Compressors
- Fans
- Conveyors
- Machine tools

Hp	RPM	NEMA Frame	Catalog Number	List Price	Mult. Sym.	"C" Dim.	Aprx. Wt. (lb)	Full Load Efficiency	Voltage	Full Load Amps	Notes (a)
Totally Enclosed Foot Mounted											
3/4	900	184	M3602	1,137	L1	14.64	51	72	230/460	1.6	1, 30
1	1800	182	EM3603	961	L1	13.76	38	85.5	230/460	1.5	1, 30
	1200	184	EM3604	1,225	L1	13.76	45	82.5	230/460	1.8	1, 30
1 1/2	1800	184	EM3606	979	L1	13.76	44	86.5	230/460	2.2	1, 30
	1200	184	EM3607	1,309	L1	15.69	72	87.5	230/460	2.4	1, 30
2	900	213	M3701	1,671	L1	15.89	88	77	230/460	2.7	16
	1800	184	EM3609	1,033	L1	13.76	45	86.5	230/460	2.9	1, 30
	1200	213	EM3712	1,480	L1	18.17	97	88.5	230/460	3.5	1, 30
3	900	215	EM3702	2,305	L1	18.63	111	85.5	230/460	3.5	1, 30
	3600	184	EM3610	1,034	L1	14.64	55	86.5	230/460	3.6	1, 30
	1800	182	EM3611	1,076	L1	15.69	70	89.5	230/460	4.2	1, 30
		213	EM3703	1,265	L1	18.17	70	89.5	230/460	4.2	1, 30
5	1200	215	EM3704	1,557	L1	18.63	132	89.5	230/460	4.6	1, 30
	3600	213	EM3706	1,760	L1	18.17	77	88.5	230/460	5.9	1
	1800	215	EM3707	1,594	L1	18.17	93	89.5	230/460	6.7	1, 30
7 1/2	1200	254U	EM2275	3,245	L1	20.82	226	89.5	230/460	7.3	1, 30
	3600	215	EM3709	1,775	L1	18.17	96	89.5	230/460	8.4	1, 30
	1800	254U	EM2237	2,763	L1	22.91	255	91.7	230/460	9.4	1, 30
10	1200	256U	EM2276	3,901	L1	22.91	295	91	230/460	10.7	1, 30
	1800	256U	EM2238	3,463	L1	22.91	255	91.7	230/460	13	1, 30
	15	1800	284U	EM2333	4,767	L1	26.34	268	92.4	230/460	18.1
20	1800	286U	EM2334	5,705	L1	26.34	303	93	230/460	24	1, 30
Totally Enclosed, C-Face, Footless											
2	1800	184C	VEM3609	1,279	L1	13.31	45	86.5	230/460	2.9	1, 30
	1200	184C	VEM3614	1,445	L1	17.18	97	88.5	230/460	3.5	1, 30
3	1800	184C	VEM3611	1,321	L1	15.68	70	89.5	230/460	4.2	1, 30
5	3600	184C	VEM3613	1,187	L1	15.68	74	88.5	230/460	5.9	1
	1800	184C	VEM3615	1,509	L1	17.18	93	89.5	230/460	6.7	1, 30

(a) See notes on inside back flap.

Red Catalog Number indicates **NEW** Product.

■ Cast Iron Frame

U-Frame, Single Phase

1 thru 5 Hp



Features:

- Ball bearings
- Heavy-gauge steel and cast-iron frames
- Exxon Polyrex™ EM grease
- U-Frame mounting dimensions

Applications:

- Pumps
- Compressors
- Fans
- Conveyors
- Machine tools

Hp	RPM	NEMA Frame	Catalog Number	List Price	Mult. Sym.	“C” Dim.	Aprx. Wt. (lb)	Full Load Efficiency	Voltage	Full Load Amps	Notes (a)
Totally Enclosed, Foot Mounted											
1	1200	184	L3607	1,670	L1	15.69	74	67	115/230	7	3, 30
1 1/2	1800	184	L3603	1,140	L1	15.69	66	70	115/230	9.5	3, 30
2	1800	184	L3605	1,275	L1	15.69	67	75.5	115/230	11.5	3, 30
	1200	215	L3703	2,758	L1	17.51	113	80	115/230	9.4	2, 30, 65
3	1800	215	L3705	2,174	L1	17.51	117	80	115/230	14	30, 65
5	1800	215	L3708	2,223	L1	18.64	100	84	230	20.5	1, 30, 65
Totally Enclosed, C-Face, Footless											
2	1800	184C	VL3605	1,375	L1	15.68	64	75.5	115/230	11.5	3, 30

(a) See notes on inside back flap.

Automotive Duty, Three Phase, TEFC, Foot Mounted

1 thru 60 Hp



Features:

- Heavy duty cast iron frames
- Double shielded ball bearings (regreaseable)
- Shaft slinger ODE and DE
- Epoxy paint
- 65°C ambient 1.00 SF
- 40°C ambient 1.15 SF

Applications:

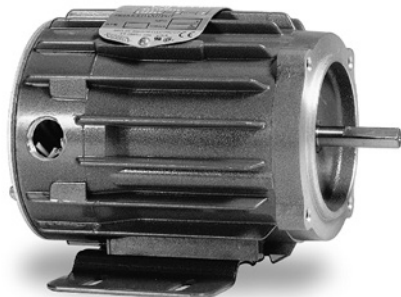
- Pumps
- Compressors
- Fans
- Conveyors
- Machine tools

Hp	RPM	NEMA Frame	Catalog Number	List Price	Mult. Sym.	“C” Dim.	Aprx. Wt. (lb)	Full Load Efficiency	Voltage	Full Load Amps	Notes (a)
1	1800	182	AEM3683-4	1,333	L1	13.18	89	85.5	460	1.6	60
1 1/2	1800	184	AEM3686-4	1,431	L1	14.74	91	87.5	460	2.1	
2	1800	184	AEM3689-4	1,524	L1	14.74	95	86	460	2.9	
3	1800	213	AEM3783-4	1,759	L1	18.07	155	89.5	460	3.9	
5	1800	215	AEM3787-4	2,303	L1	18.07	166	90.2	460	6.7	
7 1/2	1800	254U	AEM2237-4	3,090	L1	23.11	270	91.7	460	9.1	
10	1800	256U	AEM2238-4	3,736	L1	23.11	270	91.7	460	12.2	
15	1800	284U	AEM2333-4	5,191	L1	26.92	312	92.4	460	18	
20	1800	286U	AEM2334-4	6,258	L1	27.81	420	93	460	23	
25	1800	324U	AEM4103-4	7,977	L1	30.66	560	93.6	460	38	
30	1800	326U	AEM4104-4	9,013	L1	30.66	559	93.6	460	35	
40	1800	364U	AEM4307-4	10,709	L1	33.94	874	94.5	460	45	
50	1800	365U	AEM4311-4	12,897	L1	33.94	915	93.6	460	56.4	
60	1800	405U	AEM4314-4	15,759	L1	38.08	1294	94.5	460	67.6	

(a) See notes on inside back flap.

■ Cast Iron Frame

Single and Three Phase, TENV, Foot or C-Face Mounting, 1/8 thru 1/4 Hp Removable Base



Features:

- Fractional Hp
- Removable base
- Cast aluminum housing
- Locked DE bearing

Applications:

- Pumps
- Compressors
- Machine tools
- Air handling

Hp	RPM	NEMA Frame	Catalog Number	List Price	Mult. Sym.	"C" Dim.	Aprx. Wt. (lb)	Full Load Efficiency	Voltage	Full Load Amps	Notes (a)
Single Phase											
1/8	1800	42C	CNL20134	293	DS	7.89	13	58.6	115	1.6	2, 20
1/6	3600	42C	CNL20172	303	DS	8.39	13	68	115	1.9	2, 20
Three Phase											
1/8	3600	42C	CNM20132	327	DS	7.39	8	64	230/460	0.4	2, 20
	1800	42C	CNM20134	354	DS	7.39	10	62	208-230/460	0.4	2, 20
1/4	3600	42C	CNM20252	364	DS	7.89	12	72	230/460	0.5	2, 20

(a) See notes on inside back flap.

Synchronous Permanent Magnet, Three Phase, TEFC, Foot Mounted 1 thru 3 Hp



Features:

- Permanent magnets in rotor
- Zero slip, line start capable
- Max safe speed 6000 RPM
- Inverter ready
- 10:1 CT speed range

Applications:

- Inherent, precise, open-loop speed regulation

Hp	RPM	NEMA Frame	Catalog Number	List Price	Mult. Sym.	"C" Dim.	Aprx. Wt. (lb)	Full Load Efficiency	Voltage	Full Load Amps	Notes (a)
F1 Mounting											
2	1800	145TC	CSPM3558T	3,735	L1	14.17	55	87.5	230/460	2.5	
F3 Mounting											
1	3600	56C	CSPM3545	2,997	K	12.23	50	82	230/460	1.3	
	1800	145TC	CSPM3546T	3,299	L1	13.29	37	89.5	230/460	1.2	
2	3600	145TC	CSPM3555T	3,495	L1	15.54	50	84	230/460	2.6	
3	1800	182TC	CSPM3611T	4,457	L1	16.56	70	89.5	230/460	4	

(a) See notes on inside back flap.

Single and Three Phase, C-Face, TEFC

1/2 thru 7 1/2 Hp



Features:

- Low profile F-3 conduit box
- Multiple base mounting configurations
- Color coded and numbered leads for ease of connectivity
- Inverter ready
- Laser etched nameplate with highly legible font
- Super-E® motors have NEMA Premium® efficiency
- 3 year warranty on Premium efficient motors

Applications:

- Conveyors
- Unit handling
- Baggage handling
- Packaging equipment
- Door operators
- Elevators
- Hoists

Hp	RPM	NEMA Frame	Catalog Number	List Price	Mult. Sym.	"C" Dim.	Aprx. Wt. (lb)	Full Load Efficiency	Voltage	Full Load Amps	Notes (a)
Single Phase, Foot Mounted											
1/2	1800	56C	CUHL3518	490	K	12.22	37	68	115/208-230	3.5	
1	1800	56C	CUHL3519	597	K	13.22	44	67	115/208-230	6.4	
Single Phase, Footless											
1/2	1800	56C	VUHL3518	464	K	12.22	35	68	115/208-230	3.5	
1	1800	56C	VUHL3519	571	K	13.22	40	67	115/208-230	6.4	
Three Phase, Foot Mounted											
1/2	1800	56C	CUHM3538	420	K	12.23	27	72	230/460	1.1	1, 48
3/4	1800	56C	CUHM3542	444	K	12.23	31	77	230/460	1.2	1, 48
1	1800	56C	CEUHM3546	672	K	12.23	38	85.5	230/460	1.5	1, 48
		143TCY	CEUHM3546T	681	L1	13.29	39	85.5	230/460	1.5	1, 37, 48
1 1/2	1800	56C	CEUHM3554	710	K	13.23	41	86.5	230/460	2.2	1, 48
		145TCY	CEUHM3554T	719	L1	13.29	45	86.5	230/460	2.2	1, 37, 48
2	1800	56C	CEUHM3558	784	K	13.23	45	86.5	230/460	2.9	1, 48
		145TCY	CEUHM3558T	792	L1	13.29	50	86.5	230/460	2.9	1, 37, 48
3	1800	182TC	CEUHM3611T	926	L1	16.55	73	89.5	230/460	4.2	1, 48
5	1800	184TC	CEUHM3615T	1,017	L1	18.05	94	89.5	230/460	6.7	1, 48
Three Phase, Footless											
1/2	1800	56C	VEUHM3538	607	K	13.23	33	82.5	208-230/460	0.8	1, 48
		56C	VUHM3538	414	K	13.23	30	72	230/460	1.1	1, 48
3/4	1800	56C	VEUHM3542	645	K	13.23	35	84	208-230/460	1.1	1, 48
		56C	VUHM3542	439	K	13.23	35	77	230/460	1.2	1, 48
1	1800	56C	VEUHM3546	664	K	13.23	38	85.5	230/460	1.5	1, 48
		56C	VUHM3546	470	K	13.23	35	82.5	230/460	1.6	1, 16, 48
		143TC	VEUHM3546T	676	L1	13.29	38	85.5	230/460	1.5	1, 48
		143TC	VUHM3546T	507	L1	13.29	36	82.5	230/460	1.6	1, 16, 48
1 1/2	1800	56C	VEUHM3554	845	K	13.23	41	86.5	230/460	2.2	1, 48
		56C	VUHM3554	512	K	13.23	40	84	230/460	2.4	1, 16, 48
		145TC	VEUHM3554T	706	L1	13.29	43	86.5	230/460	2.2	1, 48
		145TC	VUHM3554T	553	L1	13.29	39	84	230/460	2.4	1, 16, 48
2	1800	56C	VEUHM3558	891	K	13.23	45	86.5	230/460	2.9	1, 48
		56C	VUHM3558	551	K	13.23	43	84	230/460	3.1	1, 16, 48
		145TC	VEUHM3558T	784	L1	13.29	48	86.5	230/460	2.9	1, 48
		145TC	VUHM3558T	595	L1	13.29	43	84	230/460	3.1	1, 16, 48
3	1800	182TC	VEUHM3611T	891	L1	16.55	73	89.5	230/460	4.2	1, 48
		182TC	VUHM3611T	719	L1	16.56	64	87.5	230/460	4.2	1, 16, 48
5	1800	184TC	VEUHM3615T	980	L1	18.05	88	89.5	230/460	6.7	1, 48
		184TC	VUHM3615T	822	L1	16.55	75	87.5	230/460	6.8	1, 16, 48
7 1/2	1800	213TC	VEUHM3710T	1,445	L1	19.76	151	91.7	230/460	9.5	1, 48

(a) See notes on inside back flap.

Red Catalog Number indicates **NEW** Product.

Single and Three Phase, C-Face, TEFC

Hp	RPM	NEMA Frame	Catalog Number	List Price	Mult. Sym.	“C” Dim.	Aprx. Wt. (lb)	Full Load Efficiency	Voltage	Full Load Amps	Notes (a)
Three Phase, Footless, 575 Volts											
1/2	1800	56C	VUHM3538-5	414	K	13.23	33	82.5	575	0.6	1, 48
3/4	1800	56C	VUHM3542-5	439	K	13.23	34	75.5	575	0.9	1, 48
1	1800	56C	VEUHM3546-5	664	K	13.23	38	85.5	575	1.2	1, 48
		143TC	VEUHM3546T-5	676	L1	13.29	38	85.5	575	1.2	1, 48
1 1/2	1800	145TC	VEUHM3554T-5	706	L1	13.29	44	86.5	575	1.8	1, 48
2	1800	145TC	VEUHM3558T-5	784	L1	13.29	48	86.5	575	2.3	1, 48
3	1800	182TC	VEUHM3611T-5	891	L1	16.55	70	89.5	575	3.3	1, 48

(a) See notes on inside back flap.

Definite Purpose Motors

Unit Handling Motors

Brake Motors

IEC Frame Motors

50 Hertz Motors

Inverter/Vector Motors & Controls

DC Motors and Controls

Gearmotors and Gear Products

Motor Accessories

Grinders

High Cycle Brake Motor, Three Phase

1/2 thru 3 Hp



Features:

- Cast aluminum frame design engineered for increased thermal dissipation
- Low inertia, high efficient motor
- Fast action DC brake with integral rectifier

Applications:

- Frequent start and stop applications
- Conveyors
- Unit handling
- Baggage handling
- Packaging equipment
- Door operators
- Hoists

Hp	RPM	NEMA Frame	Enclosure	Catalog Number	List Price	Mult. Sym.	"C" Dim.	Aprx. Wt. (lb)	Full Load Efficiency	Voltage	Full Load Amps	Brake Rating (b)	Notes (a)
C-Face, Footless													
1/2	1800	56C	TENV	VRBM3538	1,399	K	13.62	35	75.5	208-230/460	0.9	3	1
3/4	1800	56C	TENV	VRBM3542	1,638	K	14.50	47	75	208-230/460	1.3	6	1
1	1800	56C	TENV	VRBM3546	1,888	K	15.50	47	80	230/460	1.6	6	1
		143TC	TENV	VRBM3546T	2,019	L1	15.57	46	80	230/460	1.6	6	1
1 1/2	1800	145TC	TEFC	VRBM3554T	2,054	L1	16.31	63	82.5	230/460	2.3	10	1
2	1800	145TC	TEFC	VRBM3558T	2,110	L1	17.68	69	84	230/460	2.9	10	1
3	1800	145TC	TEFC	VRBM3561T	2,173	L1	17.68	76	87.5	230/460	4.1	15	1
		182TC	TEFC	VRBM3161T	2,579	L1	18.68	82	87.5	230/460	4.1	15	1

(a) See notes on inside back flap.

(b) Brake torque rating in lb-ft.

D-Series Brake Motor, Single Phase, TEFC, Footless

1/2 thru 1 Hp



Features:

- Low profile F-3 conduit box
- Spring set, magnetically released power off brake
- Fast action DC brake with integral rectifier
- Manual release lever
- Suitable for mounting in any configuration

Applications:

- Conveyors
- Unit handling
- Baggage handling
- Packaging equipment
- Door operators
- Elevators
- Hoists

Hp	RPM	NEMA Frame	Catalog Number	List Price	Mult. Sym.	"C" Dim.	Aprx. Wt. (lb)	Full Load Efficiency	Voltage	Full Load Amps	Brake Rating (b)	Notes (a)
1/2	1800	56C	VBL3518-D	1,209	K	16.29	43	68	115/208-230	3.5	3	
3/4	1800	56C	VBL3597-D	1,277	K	16.29	50	68	115/208-230	5.5	3	
1	1800	56C	VBL3519-D	1,343	K	17.29	60	67	115/208-230	6.4	6	

(a) See notes on inside back flap.

(b) Brake torque rating in lb-ft.

Definite Purpose Motors

Unit Handling Motors

Brake Motors

IEC Frame Motors

50 Hertz Motors

Inverter/Vector Motors & Controls

DC Motors and Controls

Gearmotors and Gear Products

Motor Accessories

Grinders

D-Series Brake Motor, Three Phase, Totally Enclosed

1/2 thru 10 Hp



Features:

- Low profile F-3 conduit box
- Fast action DC brake with integral rectifier
- Manual release lever
- Suitable for mounting in any configuration
- Inverter ready
- Super-E® motors have NEMA Premium® efficiency

Applications:

- Conveyors
- Unit handling
- Baggage handling
- Packaging equipment
- Door operators
- Elevators
- Hoists

Hp	RPM	NEMA Frame	Enclosure	Catalog Number	List Price	Mult. Sym.	"C" Dim.	Aprx. Wt. (lb)	Full Load Efficiency	Voltage	Full Load Amps	Brake Rating (b)	Notes (a)
Foot Mounted													
1/2	1800	56	TENV	BNM3538-D	926	K	14.96	43	80	208-230/460	0.8	3	1, 48
3/4	1800	56	TENV	BNM3542-D	1,259	K	14.96	47	78.5	208-230/460	1.4	6	1, 48
1	1800	56	TENV	EBNM3546-D	1,413	K	15.96	51	85.5	230/460	2	6	1, 10, 48
		145TY	TENV	EBNM3546T-D	1,413	L1	16.02	51	85.5	230/460	2	6	1, 10, 48
1 1/2	1800	56	TENV	EBNM3554-D	1,527	K	16.83	62	86.5	230/460	2	10	1, 10, 48
		145TY	TENV	EBNM3554T-D	1,527	L1	16.90	62	86.5	230/460	2	10	1, 10, 48
2	1800	56	TEFC	BM3558-D	1,387	K	17.29	45	84	208-230/460	3.1	10	1, 16, 48
		145TY	TEFC	EBM3558T-D	1,631	L1	17.35	61	86.5	230/460	2.9	10	1, 48
3	1800	182T	TEFC	EBM3611T-D	2,112	L1	21.64	104	89.5	230/460	4.1	15	1, 48
5	1800	184T	TEFC	EBM3615T-D	2,554	L1	23.14	117	89.5	230/460	6.7	15	1, 48
7 1/2	1800	213T	TEFC	EBM3710T-D	3,434	L1	25.42	170	91.7	230/460	9.4	25	1, 48
10	1800	215T	TEFC	EBM3714T-D	4,227	L1	26.92	165	91.7	230/460	12	35	1, 48
C-Face, Foot Mounted													
2	1800	145TCY	TEFC	CEBM3558T-D	1,723	L1	17.35	61	86.5	230/460	2.9	10	1, 48
3	1800	182TC	TEFC	CEBM3611T-D	2,184	L1	21.64	103	89.5	230/460	4.1	15	1, 48
5	1800	184TC	TEFC	CEBM3615T-D	2,532	L1	23.14	121	89.5	230/460	6.7	25	1, 48
7 1/2	1800	213TC	TEFC	CEBM3710T-D	3,570	L1	26.17	141	91.7	230/460	9.4	25	1, 48
10	1800	215TC	TEFC	CEBM3714T-D	4,364	L1	27.67	165	91.7	230/460	12	35	1, 48
C-Face, Footless													
1/2	1800	56C	TEFC	VBM3538-D	1,205	K	16.29	46	72	208-230/460	1.1	3	1, 48
		56C	TENV	VBNM3538-D	1,233	K	15.96	44	80	208-230/460-480	0.8	3	1, 48
3/4	1800	56C	TEFC	VBM3542-D	1,251	K	16.29	52	78.5	208-230/460	1.4	6	1, 48
		56C	TEFC	VEBM3542-D	1,373	K	16.29	50	84	208-230/460	1.1	6	1, 48
		56C	TENV	VBNM3542-D	1,280	K	15.96	48	78.5	208-230/460	1.4	6	1, 48
		56C	TENV	VEBNM3546-D	1,441	K	15.96	51	85.5	230/460	1.5	6	1, 48
1	1800	56C	TEFC	VEBM3546-D	1,429	K	16.29	54	85.5	230/460	1.5	6	1, 48
		143TC	TEFC	VBM3546T-D	1,412	L1	16.35	49	82.5	208-230/460	1.6	6	1, 16, 48
		143TC	TENV	VEBNM3546T-D	1,451	L1	16.02	51	85.5	230/460	1.5	6	1, 48
		143TC	TEFC	VEBM3546T-D	1,534	L1	16.35	51	85.5	230/460	1.5	6	1, 48
		56C	TENV	VBNM3554-D	1,385	K	16.83	64	86.5	208-230/460	2.1	10	1, 16, 48
1 1/2	1800	56C	TEFC	VEBM3554-D	1,488	K	17.29	58	86.5	230/460	2.2	10	1, 48
		145TC	TENV	VEBNM3554T-D	1,565	L1	16.90	62	86.5	230/460	2.1	10	1, 48
		145TC	TEFC	VEBM3554T-D	1,597	L1	17.35	58	86.5	230/460	2.2	10	1, 48
2	1800	56C	TEFC	VEBM3558-D	1,622	K	17.29	57	86.5	230/460	2.9	10	1, 48
		145TC	TEFC	VBM3558T-D	1,499	L1	17.35	56	84	208-230/460	3.1	10	1, 16, 48
		145TC	TEFC	VEBM3558T-D	1,631	L1	17.35	62	86.5	230/460	2.9	10	1, 48
3	1800	182TC	TEFC	VBM3611T-D	2,076	L1	20.62	80	87.5	208-230/460	4.2	15	1, 16, 48
		182TC	TEFC	VEBM3611T-D	2,153	L1	21.64	101	89.5	230/460	4.2	15	1, 48

(a) See notes on inside back flap.

(b) Brake torque rating in lb-ft.

Red Catalog Number indicates **NEW** Product.

Definite Purpose Motors
 Unit Handling Motors
 Brake Motors
 IEC Frame Motors
 50 Hertz Motors
 Inverter/Vector Motors & Controls
 DC Motors and Controls
 Gearmotors and Gear Products
 Motor Accessories
 Grinders

D-Series Brake Motor, Three Phase, Totally Enclosed

Hp	RPM	NEMA Frame	Enclosure	Catalog Number	List Price	Mult. Sym.	"C" Dim.	Aprx. Wt. (lb)	Full Load Efficiency	Voltage	Full Load Amps	Brake Rating (b)	Notes (a)
5	1800	184TC	TEFC	VBM3615T-D	2,567	L1	21.64	105	87.5	208-230/460	6.8	15	1, 16, 48
		184TC	TEFC	VEBM3615T-D	2,596	L1	23.14	117	89.5	230/460	6.7	15	1, 48
7 1/2	1800	213TC	TEFC	VEBM3710T-D	3,534	L1	26.17	127	91.7	230/460	9.5	25	1, 48
10	1800	215TC	TEFC	VEBM3714T-D	4,099	L1	27.67	177	92	230/460	12	35	1, 48
C-Face, Footless, 575 Volts													
1/2	1800	56C	TEFC	VBM3538-5D	1,205	K	16.29	48	78.5	575	0.7	3	1, 48
1	1800	143TC	TEFC	VBM3546T-5D	1,412	L1	16.35	40	82.5	575	1.3	6	1, 16, 48
		143TC	TEFC	VEBM3546T-5D	1,534	L1	16.35	52	85.5	575	1.2	6	1, 48
1 1/2	1800	145TC	TEFC	VEBM3554T-5D	1,597	L1	17.35	55	86.5	575	1.8	10	1, 48
2	1800	145TC	TEFC	VEBM3558T-5D	1,631	L1	17.35	62	86.5	575	2.3	10	1, 48
3	1800	182TC	TEFC	VEBM3611T-5D	2,153	L1	21.64	101	89.5	575	3.1	15	1, 48
5	1800	184TC	TEFC	VBM3615T-5D	2,567	L1	21.64	81	87.5	575	5.5	15	1, 16, 48
		184TC	TEFC	VEBM3615T-5D	2,596	L1	23.14	117	89.5	575	5.2	15	1, 48

(a) See notes on inside back flap.

(b) Brake torque rating in lb-ft.

Red Catalog Number indicates **NEW** Product.

D-Series and SSB Fast Response Brake Kit

Applications: These kits are designed for Dodge manufactured D-Series and Short Series brakes. These fast response kits allow the brake to provide a faster dropout time (timed to braking).

Frame	Enclosure	Catalog Number	Voltage	Aprx. Wt. (lb)	List Price	Mult. Sym.
56 - 180	TENV, TEFC, SSB	FBRK115230	115	1	131	A8
56 - 180	TENV, TEFC, SSB	FBRK230460	230	1	144	A8

Definite Purpose Motors

Unit Handling Motors

Brake Motors

IEC Frame Motors

50 Hertz Motors

Inverter/Vector Motors & Controls

DC Motors and Controls

Gearmotors and Gear Products

Motor Accessories

Grinders

Short Series Brake Motor, Three Phase, TEFC

1/2 thru 5 Hp



Features:

- Low Profile F-3 conduit box
- Compact design
- Fast action DC brake with integral rectifier
- Suitable for mounting in any configuration
- Inverter ready
- Super-E® motors have NEMA Premium® efficiency

Applications:

- Conveyors
- Unit handling
- Baggage handling
- Packaging equipment
- Door operators
- Elevators
- Hoists

Hp	RPM	NEMA Frame	Catalog Number	List Price	Mult. Sym.	"C" Dim.	Aprx. Wt. (lb)	Full Load Efficiency	Voltage	Full Load Amps	Brake Rating (b)	Notes (a)
Foot Mounted												
1/2	1800	56	BM3538-S	1,153	K	14.37	42	72	208-230/460	1.1	3	1, 48
3/4	1800	56	BM3542-S	1,198	K	14.37	48	78.5	208-230/460	1.4	3	1, 48
1	1800	56	EBM3546-S	1,295	K	14.37	51	85.5	230/460	1.5	6	1, 10, 48
		56	BM3546-S	1,242	K	14.37	47	82.5	208-230/460	1.6	6	1, 16, 48
		143TY	EBM3546T-S	1,304	L1	15.43	51	85.5	230/460	1.5	6	1, 10, 48
		143TY	BM3546T-S	1,242	L1	15.43	51	82.5	208-230/460	1.6	6	1, 16, 48
1 1/2	1800	145TY	EBM3554T-S	1,415	L1	15.43	54	86.5	230/460	2.2	10	1, 10, 48
		145TY	BM3554T-S	1,288	L1	15.43	56	84	208-230/460	2.4	10	1, 16, 48
2	1800	145TY	EBM3558T-S	1,462	L1	15.43	58	86.6	230/460	2.9	10	1, 48
3	1800	182T	EBM3611T-S	1,724	L1	19.05	83	89.5	230/460	4.2	15	1, 48
5	1800	184T	EBM3615T-S	2,017	L1	20.55	106	89.5	230/460	6.7	25	1, 48
C-Face, Footless												
1/2	1800	56C	VBM3538-S	1,144	K	14.37	41	72	208-230/460	1.1	3	1, 48
3/4	1800	56C	VBM3542-S	1,190	K	14.37	47	78.5	208-230/460	1.4	3	1, 48
1	1800	56C	VEBM3546-S	1,332	K	14.37	51	85.5	230/460	1.5	6	1, 48
		56C	VBM3546-S	1,245	K	14.37	47	82.5	208-230/460	1.6	6	1, 16, 48
		143TC	VEBM3546T-S	1,342	L1	14.43	51	85.5	230/460	1.5	6	1, 48
1 1/2	1800	56C	VEBM3554-S	1,443	K	15.37	54	86.5	230/460	2.2	10	1, 48
		145TC	VEBM3554T-S	1,453	L1	15.43	54	86.5	230/460	2.2	10	1, 10, 48
2	1800	56C	VEBM3558-S	1,490	K	15.37	58	86.5	230/460	2.9	10	1, 48
		56C	VBM3558-S	1,321	K	15.37	57	84	208-230/460	3.1	10	1, 16, 48
		145TC	VEBM3558T-S	1,500	L1	15.43	58	86.5	230/460	2.9	10	1, 48
		145TC	VBM3558T-S	1,321	L1	15.43	57	84	208-230/460	3.1	10	1, 16, 48
3	1800	182TC	VEBM3611T-S	1,796	L1	19.05	83	89.5	230/460	4.2	15	1, 48
		182TC	VBM3611T-S	1,825	L1	18.68	79	87.5	208-230/460	4.2	15	1, 16, 48
5	1800	184TC	VEBM3615T-S	2,089	L1	20.55	106	89.5	230/460	6.7	25	1, 48
C-Face, Footless, 575 Volts												
1/2	1800	56C	VBM3538-5S	1,144	K	14.37	42	72	575	0.8	3	1, 48
1	1800	56C	VEBM3546-5S	1,332	K	14.37	51	85.5	575	1.2	6	1, 48
		56C	VBM3546-5S	1,245	K	14.37	35	82.5	575	1.3	6	1, 16, 48
1 1/2	1800	145TC	VEBM3554T-5S	1,453	L1	15.43	54	86.5	575	1.8	10	1, 10, 48
		145TC	VBM3554T-5S	1,290	L1	15.43	55	84	575	1.9	10	1, 16, 48
2	1800	145TC	VEBM3558T-5S	1,500	L1	15.43	58	86.5	575	2.3	10	1, 48

(a) See notes on inside back flap.

(b) Brake torque rating in lb-ft.

Red Catalog Number indicates **NEW** Product.

Single and Three Phase, TEFC

1/4 thru 30 Hp



Features:

- Manual release
- Spring-set brake
- Vibration damping base
- Super-E® motors have NEMA Premium® efficiency
- Inverter ready Super-E motors

Applications:

- Conveyors
- Unit handling
- Machine tools
- Door operators
- Speed reducers
- Packaging equipment
- General purpose applications

Hp	RPM	NEMA Frame	Catalog Number	List Price	Mult. Sym.	"C" Dim.	Aprx. Wt. (lb)	Full Load Efficiency	Voltage	Full Load Amps	Brake Rating (b)	Notes (a)
Single Phase, Foot Mounted												
1/4	1800	56	BL3516	874	K	14.36	27	59.5	115/230	2.1	3	2, 30, 41, 60
1/3	1800	56	BL3517	921	K	15.46	27	60	115/230	3	3	30, 41
1/2	1800	56	BL3518	1,000	K	16.08	32	68	115/230	3.7	3	30, 41
Single Phase, Footless												
1/3	1800	56C	KBL3406	939	K	15.45	27	60	115/230	3	3	30, 41
1/2	1800	56C	KBL3409	1,031	K	16.07	32	68	115/230	3.7	3	30, 41
3/4	1800	56C	VBL3507	1,338	K	16.82	40	72	115/230	4.2	6	30, 41
1	1800	56C	VBL3510	1,418	K	17.80	49	76.5	115/230	4.5	6	30, 41
		143TC	VBL3510T	1,418	L1	17.86	49	76.5	115/230	4.5	6	30, 41
Foot Mounted												
1/4	1800	56	BM3568	839	K	14.36	26	68	208-230/460	0.5	3	2, 41, 60
1/3	1800	56	BM3569	887	K	14.36	27	70	208-230/460	0.7	3	2, 41, 60
1/2	1800	56	BM3538	964	K	14.98	31	75.5	208-230/460	0.9	3	2, 41, 60
	1200	56	BM3539	1,328	K	16.45	35	72	230/460	1.2	6	30, 41
3/4	1800	56	BM3542	1,128	K	16.45	31	75.5	208-230/460	1.5	6	41
	1200	56	BM3543	1,394	K	17.45	39	77	208-230/460	1.5	6	41
1	1800	56	EBM3546	1,529	K	16.80	44	85.5	230/460	1.5	6	30, 41
		56	BM3546	1,309	K	17.45	38	78.5	208-230/460	1.7	6	16, 41
		143T	EBM3546T	1,560	L1	17.86	46	85.5	230/460	1.5	6	30, 41
		143T	BM3546T	1,309	L1	17.01	39	78.5	208-230/460	1.7	6	16, 41
1 1/2	1800	145T	EBM3554T	1,756	L1	17.86	52	86.5	230/460	2.2	10	30, 41
2	1800	145T	EBM3558T	1,795	L1	17.86	57	86.5	230/460	2.9	10	30, 41
3	1800	182T	EBM3611T	2,325	L1	21.12	89	89.5	230/460	4.2	15	30, 41
5	1800	184T	EBM3615T	2,819	L1	22.65	106	89.5	230/460	6.7	25	30, 42
7 1/2	1800	213T	EBM3710T	3,718	L1	27.20	158	91.7	230/460	9.4	35	30, 40
10	1800	215T	EBM3714T	4,673	L1	29.19	165	91.7	230/460	12	50	30, 40
15	1800	254T	EBM2333T	6,611	L1	33.07	337	92.4	230/460	18.1	75	30
20	1800	256T	EBM2334T	8,578	L1	33.57	398	93	230/460	24	105	30
25	1800	284T	EBM4103T	10,836	L1	39.66	516	93.6	230/460	30	105	30
30	1800	284T	EBM4104T	12,220	L1	42.84	667	93.6	230/460	37	125	30
C-Face, Foot Mounted												
1	1800	143TC	CEBM3546T	1,598	L1	17.86	43	85.5	230/460	1.7	6	41
		143TC	CBM3546T	1,373	L1	17.86	42	75.5	208-230/460	1.8	6	16, 41
1 1/2	1800	145TC	CEBM3554T	1,794	L1	17.86	48	86.5	230/460	2.2	10	41
		145TC	CBM3554T	1,539	L1	17.86	48	81.5	208-230/460	2.3	10	16, 41
2	1800	145TC	CEBM3558T	1,833	L1	17.86	52	86.5	230/460	2.9	10	41
		145TC	CBM3558T	1,582	L1	17.86	51	82.5	208-230/460	3	10	16, 41
3	1800	182TC	CEBM3611T	2,397	L1	21.11	77	89.5	230/460	4.2	15	1, 41
		182TC	CBM3611T	2,136	L1	19.74	72	85.5	208-230/460	4.5	15	1, 16, 41
5	1800	184TC	CEBM3615T	2,891	L1	23.06	101	89.5	230/460	6.7	25	1, 42
		184TC	CBM3615T	2,670	L1	21.56	90	87.5	208-230/460	6.8	25	1, 16, 42
7 1/2	1800	213TC	CEBM3710T	3,880	L1	27.95	149	91.7	230/460	9.4	35	1, 40
		213TC	CBM3710T	3,404	L1	26.83	160	87.5	208-230/460	10.9	35	1, 16, 40
10	1800	215TC	CEBM3714T	4,835	L1	29.95	183	91.7	230/460	12	50	1, 42

(a) See notes on inside back flap.

(b) Brake torque rating in lb-ft.

Red Catalog Number indicates **NEW** Product.

■ Cast Iron Frame

Definite Purpose Motors

Unit Handling Motors

Brake Motors

IEC Frame Motors

50 Hertz Motors

Inverter/Vector Motors & Controls

DC Motors and Controls

Gearmotors and Gear Products

Motor Accessories

Grinders

Single and Three Phase, TEFC

Hp	RPM	NEMA Frame	Catalog Number	List Price	Mult. Sym.	"C" Dim.	Aprx. Wt. (lb)	Full Load Efficiency	Voltage	Full Load Amps	Brake Rating (b)	Notes (a)
Footless												
1/4	1800	56C	KBM3454	833	K	14.36	26	68	208-230/460	0.5	3	2, 41, 60
1/3	1800	56C	KBM3458	885	K	14.36	23	70	208-230/460	0.7	3	2, 41, 60
1/2	1800	56C	VEBNM3538	1,392	K	15.26	37	84	230/460	0.9	3	41, 60
		56C	VBM3538	986	K	14.98	30	75.5	208-230/460	0.9	3	2, 41, 60
3/4	1800	56C	VEBNM3542	1,565	K	15.26	53	84	208-230/460	1.1	6	41, 60
		56C	VBM3542	1,155	K	15.86	35	75	208-230/460	1.3	6	2, 41, 60
		56C	VEBM3546	1,588	K	16.80	45	85.5	230/460	1.5	6	1, 30, 41
1	1800	56C	VBM3546	1,330	K	16.96	38	78.5	208-230/460	1.7	6	1, 16, 41
		143TC	VEBM3546T	1,598	L1	16.86	45	85.5	230/460	1.5	6	1, 30, 41
		56C	VEBM3554	1,784	K	17.80	53	86.5	230/460	2.2	6	1, 30, 41
1 1/2	1800	56C	VBM3554	1,493	K	17.80	48	84	208-230/460	2.4	10	1, 16, 41
		145TC	VEBM3554T	1,794	L1	17.86	52	86.5	230/460	2.2	10	1, 30, 41
		145TC	VBM3554T	1,493	L1	17.86	49	84	208-230/460	2.4	10	1, 16, 41
2	1800	56C	VEBM3558	1,823	K	17.80	56	86.5	230/460	2.9	6	1, 30, 41
		56C	VBM3558	1,530	K	17.80	50	82.5	208-230/460	3	10	1, 16, 41
		145TC	VEBM3558T	1,833	L1	17.86	57	86.5	230/460	2.9	10	1, 30, 41
3	1800	145TC	VBM3558T	1,530	L1	17.86	50	82.5	208-230/460	3	10	1, 16, 41
		182TC	VEBM3611T	2,397	L1	21.11	82	89.5	230/460	4.2	15	1, 30, 41
		182TC	VBM3611T	2,139	L1	19.74	67	85.5	208-230/460	4.5	15	1, 16, 41
5	1800	184TC	VEBM3615T	2,891	L1	23.06	99	89.5	230/460	6.7	25	1, 30, 42
		184TC	VBM3615T	2,643	L1	21.56	89	87.5	208-230/460	6.8	25	1, 16, 42
7 1/2	1800	213TC	VEBM3710T	3,880	L1	27.89	172	91.7	230/460	9.4	35	1, 30, 40
		213TC	VBM3710T	3,386	L1	26.83	128	87.5	208-230/460	10.9	35	1, 16, 40
10	1800	215TC	VEBM3714T	4,835	L1	29.89	165	91.7	230/460	12	50	1, 30, 42
		215TC	VBM3714T	4,296	L1	28.45	154	89.5	208-230/460	13.5	50	1, 16, 42
575 Volts												
3/4	1800	56C	VBM3542-5	1,155	K	15.26	40	80	575	1.9	6	2, 41, 60
1	1800	143TC	VEBM3546T-5	1,525	L1	16.86	44	85.5	575	1.2	6	1, 41
		143TC	VBM3546T-5	1,330	L1	16.86	40	75.5	575	1.5	6	1, 16, 41

(a) See notes on inside back flap.

(b) Brake torque rating in lb-ft.

Red Catalog Number indicates **NEW** Product.

■ Cast Iron Frame

Definite Purpose Motors

Unit Handling Motors

Brake Motors

IEC Frame Motors

50 Hertz Motors

Inverter/Vector Motors & Controls

DC Motors and Controls

Gearmotors and Gear Products

Motor Accessories

Grinders

**Single and Three Phase, TEFC, C-Face,
Fan on Drive End**

3/4 thru 30 Hp



Features:

- Manual release
- Spring-set brake
- Fan on DE
- Easily accessible brake leads
- Vibration damping base
- Super-E® motors have NEMA Premium® efficiency
- Inverter ready Super-E motors

Applications:

- Conveyors
- Unit handling
- Machine tools
- Door operators
- Speed reducers
- Packaging equipment
- General purpose applications

Hp	RPM	NEMA Frame	Catalog Number	List Price	Mult. Sym.	"C" Dim.	Aprx. Wt. (lb)	Full Load Efficiency	Voltage	Full Load Amps	Brake Rating (b)	Notes (a)
Single Phase												
3/4	1800	56Y	BL3507	1,313	K	16.71	42	72	115/230	4.2	6	30, 41
1	1800	56Y	BL3510	1,390	K	17.11	52	68	115/230	6.4	6	30, 41
Three Phase												
1	1800	182Y	EBM3603Y	1,682	L1	17.49	44	85.5	230/460	1.5	6	30, 41
		145TY	EBM3556TY	1,630	L1	17.49	48	82.5	230/460	1.8	10	30, 41
	1200	145TY	BM3556T	1,864	L1	16.49	46	78.5	208-230/460	1.9	10	16, 41
1 1/2	1800	56Y	EBM3554Y	1,756	K	17.11	48	86.5	230/460	2.2	10	30, 41
		56Y	BM3554	1,469	K	17.11	47	84	208-230/460	2.4	10	16, 41
		145TY	EBM3554TY	1,756	L1	17.49	48	86.5	230/460	2.2	10	30, 41
		145TY	BM3554T	1,469	L1	17.49	47	84	208-230/460	2.4	10	16, 41
		184Y	EBM3606Y	1,789	L1	17.49	48	86.5	230/460	2.2	10	30, 41
		184Y	BM3606	1,940	L1	17.49	50	81.5	208-230/460	2.3	10	16, 41
2	1800	56Y	EBM3558Y	1,795	K	17.11	52	86.5	230/460	2.9	10	30, 41
		56Y	BM3558	1,505	K	17.11	49	82.5	208-230/460	3	10	16, 41
		145TY	EBM3558TY	1,795	L1	17.49	52	86.5	230/460	2.9	10	30, 41
		145TY	BM3558T	1,505	L1	17.49	51	82.5	208-230/460	3	10	16, 41
		184Y	EBM3609Y	1,840	L1	17.49	52	86.5	230/460	2.9	10	30, 41
		184Y	BM3609	2,019	L1	17.49	53	82.5	208-230/460	3	10	16, 41
	1200	184TY	EBM3614TY	1,963	L1	22.12	104	88.5	230/460	3.5	15	30, 41
		184TY	BM3614T	2,494	L1	20.62	77	81.5	208-230/460	3.4	15	16, 41
3	1800	182TY	EBM3611TY	2,395	L1	20.62	77	89.5	230/460	4.2	15	1, 30, 41
		182TY	BM3611T	2,040	L1	19.24	67	85.5	208-230/460	4.5	15	1, 16, 41
		213Y	EBM3703Y	2,860	L1	22.42	77	89.5	230/460	4.2	15	1, 30, 41
		213Y	EBM3704TY	3,941	L1	27.01	154	89.5	230/460	4.6	35	1, 30, 40
5	1800	184TY	EBM3615TY	2,819	L1	22.12	101	89.5	230/460	6.7	25	1, 30, 40
		184TY	BM3615T	2,531	L1	20.62	90	87.5	208-230/460	6.8	25	1, 16, 40
		184TY	EBM3635TY	1,845	L1	22.12	100	89.5	230/460	6.7	15	1, 30, 41
		215Y	EBM3707Y	3,435	L1	22.87	100	89.5	230/460	6.9	25	1, 30, 40
		215Y	BM3707	3,730	L1	22.87	91	87.5	208-230/460	6.8	25	1, 16, 40
7 1/2	1800	213TY	EBM3710TY	3,918	L1	27.01	149	91.7	230/460	9.4	35	1, 30, 40
		213TY	EBM3730TY	3,243	L1	27.01	146	91.7	230/460	9.4	25	1, 30, 40
		213TY	BM3730T	3,087	L1	25.88	155	89.5	208-230/460	10.1	25	1, 16, 40
10	1800	215TY	EBM3714TY	4,673	L1	29.01	183	91.7	230/460	12	50	1, 30, 42
		215TY	BM3714T	4,139	L1	27.51	154	89.5	208-230/460	13.5	50	1, 16, 42
		215TY	EBM3734TY	4,089	L1	28.51	187	91.7	230/460	12	35	1, 30, 40
15	1800	254TY	EBM2353TY	6,030	L1	32.71	286	92.4	230/460	18.1	50	1, 30
		254TY	BM2353T	5,010	L1	29.38	249	89.5	208-230/460	18.9	50	1, 16
20	1800	256TY	EBM2334TY	8,578	L1	32.28	263	93	230/460	24	105	1, 30
		256TY	BM2334T	6,885	L1	31.63	273	91	230/460	25	105	1, 16, 30
		256TY	EBM2354TY	7,675	L1	32.71	328	93	230/460	24	75	1, 30
25	1800	284TY	EBM4103TY	10,836	L1	35.83	448	93.6	230/460	30	105	1, 30
30	1800	286TY	EBM4104TY	12,220	L1	39.13	565	93.6	230/460	38	125	1, 30

(a) See notes on inside back flap.

(b) Brake torque rating in lb-ft. Enclosed brake motors have non-standard "BA" dimension.

Red Catalog Number indicates **NEW** Product.

■ Cast Iron Frame

Three Phase, ODP

1/2 thru 15 Hp



Features:

- Manual release
- Spring-set brake
- Vibration damping base
- Dynamically balanced rotor
- Super-E® motors have NEMA Premium® Efficiency
- Inverter ready Super-E motors

Applications:

- Conveyors
- Unit handling
- Machine tools
- Door operators
- Speed reducers
- Packaging equipment
- General purpose applications

Hp	RPM	NEMA Frame	Catalog Number	List Price	Mult. Sym.	"C" Dim.	Aprx. Wt. (lb)	Full Load Efficiency	Voltage	Full Load Amps	Brake Rating (b)	Notes (a)
Foot Mounted												
1/2	1800	56	BM3108	908	K	14.14	27	74	230/460	1	3	30, 41
3/4	1800	56	BM3112	1,057	K	14.77	31	75.5	208-230/460	1.5	6	41
1	1800	56	BM3116	1,150	K	15.64	33	78.5	208-230/460	1.7	3	41
		143T	EBM3116T	1,343	L1	16.37	49	87.5	208-230/460	1.5	6	41
1 1/2	1800	145T	EBM3154T	1,488	L1	16.37	48	86.5	230/460	2.2	10	30, 41
2	1800	145T	EBM3157T	1,698	L1	16.37	51	86.5	230/460	2.9	10	30, 41
3	1800	182T	EBM3211T	2,083	L1	19.57	83	89.5	230/460	4.2	15	30, 41
		184T	EBM3218T	2,574	L1	21.52	104	89.5	230/460	6.4	25	30, 42
5	1800	184T	EBM3248T	2,212	L1	21.06	104	89.5	230/460	6.4	15	30, 41
		213T	EBM3311T	3,235	L1	24.45	149	91	230/460	9.7	35	30, 40
7 1/2	1800	215T	EBM3313T	4,064	L1	26.08	159	91.7	230/460	12.5	50	30, 42
10	1800	215T	EBM3313T	4,064	L1	26.08	159	91.7	230/460	12.5	50	30, 42
15	1800	254T	EBM2513T	5,375	L1	29.88	252	93	230/460	17.7	75	30, 42
C-Face, Footless												
1/2	1800	56C	VBM3108	929	K	14.36	28	74	230/460	1	3	30, 41
3/4	1800	56C	VBM3112	1,086	K	15.36	31	75.5	208-230/460	1.5	6	41
1	1800	56C	VBM3116	1,175	K	15.36	33	78.5	208-230/460	1.7	6	41
		143TC	VEBM3116T	1,498	L1	15.32	44	85.5	230/460	1.5	6	30, 41
1 1/2	1800	56C	VBM3154	1,366	K	15.26	44	80	208-230/460	2.5	10	41
		145TC	VEBM3154T	1,565	L1	15.37	44	86.5	230/460	2.2	10	30, 41
2	1800	145TC	VBM3154T	1,475	L1	15.37	41	84	208-230/460	2.4	10	16, 41
		145TC	VEBM3157T	1,618	L1	16.37	50	86.5	230/460	2.9	10	30, 41
3	1800	145TC	VBM3157T	1,662	L1	15.97	48	84	208-230/460	3.2	10	16, 41
		182TC	VEBM3211T	1,856	L1	19.57	81	89.5	230/460	4.2	15	30, 41
5	1800	182TC	VBM3211T	2,105	L1	19.57	81	86.5	230/460	4.6	15	16, 30, 41
		184TC	VEBM3218T	2,233	L1	21.52	100	89.5	230/460	6.6	25	30, 42
5	1800	184TC	VBM3218T	2,612	L1	20.02	84	87.5	208-230/460	7.2	25	16, 42
		184TC	VEBM3248T	1,938	L1	21.07	99	89.5	230/460	6.6	15	30, 41
5	1800	184TC	VBM3248T	2,197	L1	19.57	83	87.5	208-230/460	7.2	15	16, 41

(a) See notes on inside back flap.

(b) Brake torque rating in lb-ft.

Red Catalog Number indicates **NEW** Product.

Washdown, Three Phase, Totally Enclosed, C-Face, Foot Mounted

1/2 thru 5 Hp

IP55

Definite Purpose Motors

Unit Handling Motors

Brake Motors

IEC Frame Motors

50 Hertz Motors

Inverter/Vector Motors & Controls

DC Motors and Controls

Gearmotors and Gear Products

Motor Accessories

Grinders



Features:

- 300 series stainless steel hardware
- Neoprene gaskets
- Double sealed ball bearings
- Power off manual release brake with automatic reset
- Lip and V-Ring seal on DE
- NEMA Premium® efficiency
- Electrostatically applied epoxy finish
- Stainless steel shaft extension
- Standard NEMA BA dimension

Applications:

- Food processing
- Wet environment
- Conveyors
- Packaging
- Pumps and Wastewater

Hp	RPM	NEMA Frame	Enclosure	Catalog Number	List Price	Mult. Sym.	"C" Dim.	Aprx. Wt. (lb)	Full Load Efficiency	Voltage	Full Load Amps	Brake Rating ^(b)	Notes ^(a)
1/2	1800	56C	TENV	CEWDBM3538	2,025	WD	15.31	42	84	208-230/460	0.9	3	12, 41
3/4	1800	56C	TENV	CEWDBM3542	2,188	WD	15.31	42	84	230/460	1.1	6	12, 30, 41
1	1800	56C	TENV	CEWDBM3546	2,246	WD	16.31	50	85.5	230/460	1.5	6	30, 41
		143TC	TENV	CEWDBM3546T	2,269	WD	16.81	51	85.5	230/460	1.5	6	30, 41
1 1/2	1800	145TC	TENV	CEWDBM3554T	2,444	WD	18.14	61	86.5	230/460	2.1	10	30, 41
2	1800	145TC	TEFC	CEWDBM3558T	2,487	WD	18.56	60	86.5	230/460	2.9	10	30, 41
3	1800	182TC	TEFC	CEWDBM3611T	3,009	WD	21.80	93	89.5	230/460	4.2	15	30, 41
5	1800	184TC	TEFC	CEWDBM3615T	3,635	WD	23.30	110	89.5	230/460	6.7	25	30, 42

^(a) See notes on inside back flap

^(b) Brake torque rating in lb-ft.

Double C-Face Motor Brake Kits

Coil Voltage: 115/208-230



Features: Double C-Face coupler brakes. Mounts on motors with C-Face, provides NEMA C-Face mounting on brake. Spring set, electrically released.

Brake Rating	Brake Mounting	Catalog Number	List Price	Mult. Sym.	Ap'x. Shpg. Wgt.
3 ft-lb	56C	CBK003-1	670	A8	12
6 ft-lb	56C	CBK006-1	986	A8	12
6 ft-lb	145TC	CBK006-2	986	A8	12
10 ft-lb	145TC	CBK010-1	1,150	A8	12
15 ft-lb	145TC	CBK015-1	2,457	A8	12

Metric IEC Frame Motors, Three Phase, 50/60 Hz, Foot Mounted

.12 thru 90 kW (.16-125 Hp)

IP55



Features:

- Aluminum or cast iron frame and endplates
- MM catalog motors IE2 efficiency
- EMM catalog motors IE3 efficiency
- Motors listed for use in US are marked with DOE compliance number for use on 460V, 60 Hz
- 6 post terminal block
- Class F insulation with Class B temperature limits
- 3 PTC thermistors standard in 160-250 aluminum frame and 71-280 cast iron frame
- Inverter ready Frames 63-250 2:1 CT & 20:1 VT

Applications:

- Pumps
- Compressors
- Fans
- Conveyors
- General purpose requiring IEC metric mounting

kW/HP	RPM	IEC Frame	Catalog Number	ABB Product Code	ABB Type Number	List Price	Mult. Sym.	"L" Dim. (in)	Aprx. Wt. (lb)	Voltage	For Use in US	Notes (a)
.12/.16	1500/1800	63	MM06124-AP	3GAA062311-ASC+002+332	M3AA 63A 4	314	M	8.43	9	230D/400Y,50Hz, 460Y,60Hz	Yes	11, 25
	3000/3600	63	MM06182-AP	3GAA061311-ASC+002+332	M3AA 63A 2	321	M	8.43	9	230D/400Y,50Hz, 460Y,60Hz	Yes	11, 25
.18/.25	1500/1800	63	MM06184-AP	3GAA062312-ASC+002+332	M3AA 63B 4	317	M	8.43	10	230D/400Y,50Hz, 460Y,60Hz	Yes	11, 25
	3000/3600	63	MM06252-AP	3GAA061312-ASC+002+332	M3AA 63B 2	324	M	8.43	10	230D/400Y,50Hz, 460Y,60Hz	Yes	11, 25
.25/.33	1500/1800	71	MM07254-AP	3GAA072311-ASE+332	M3AA 71A 4	257	M	9.45	11	230D/400Y,50Hz, 460Y,60Hz	Yes	11, 25
	3000/3600	71	MM07254-PP	3GBP072321-ASB+332	M3BP 71MA 4	271	M	10.39	22	230D/400Y,50Hz, 460Y,60Hz	Yes	11, 25
.37/.50	1500/1800	71	MM07372-AP	3GAA071311-ASE+332	M3AA 71A 2	267	M	9.45	11	230D/400Y,50Hz, 460Y,60Hz	Yes	11, 25
	3000/3600	71	MM07372-PP	3GBP071321-ASB+332	M3BP 71MA 2	281	M	10.39	24	230D/400Y,50Hz, 460Y,60Hz	Yes	11, 25
.55/.75	1500/1800	71	MM07374-AP	3GAA072312-ASE+332	M3AA 71B 4	290	M	9.45	11	230D/400Y,50Hz, 460Y,60Hz	Yes	11, 25
	3000/3600	71	MM07374-PP	3GBP072322-ASB+332	M3BP 71MB 4	306	M	10.39	24	230D/400Y,50Hz, 460Y,60Hz	Yes	11, 25
.75/1	1500/1800	71	MM07552-AP	3GAA071312-ASE+332	M3AA 71B 2	298	M	9.45	13	230D/400Y,50Hz, 460Y,60Hz	Yes	11, 25
	3000/3600	71	MM07552-PP	3GBP071322-ASB+332	M3BP 71MB 2	314	M	10.39	24	230D/400Y,50Hz, 460Y,60Hz	Yes	11, 25
1.1/1.5	1500/1800	80	MM08554-AP	3GAA082311-ASE+332	M3AA 80A 4	319	M	10.45	19	230D/400Y,50Hz, 460Y,60Hz	Yes	11, 25
	3000/3600	80	MM08554-PP	3GBP082321-ASB+332	M3BP 80MA 4	336	M	12.64	22	230D/400Y,50Hz, 460Y,60Hz	Yes	11, 25
1.5/2	1500/1800	80	MM08752-AP	3GAA081312-ASE+332	M3AA 80B 2	359	M	10.45	23	230D/400Y,50Hz, 460Y,60Hz	No	11, 25
	3000/3600	80	MM08752-PP	3GBP081322-ASB+332	M3BP 80MB 2	379	M	12.64	35	230D/400Y,50Hz, 460Y,60Hz	No	11, 25
2.2/3	1500/1800	80	MM08754-AP	3GAA082314-ASE+332	M3AA 80D 4	374	M	10.45	26	230D/400Y,50Hz, 460Y,60Hz	No	11, 25
	3000/3600	80	MM08754-PP	3GBP082324-ASB+332	M3BP 80MD 4	394	M	12.64	37	230D/400Y,50Hz, 460Y,60Hz	No	11, 25
3/4	1500/1800	80	MM08112-AP	3GAA081313-ASE+332	M3AA 80C 2	393	M	10.45	24	230D/400Y,50Hz, 460Y,60Hz	No	11, 25
	3000/3600	80	MM08112-PP	3GBP081323-ASB+332	M3BP 80MC 2	414	M	12.64	40	230D/400Y,50Hz, 460Y,60Hz	No	11, 25
3/4	1500/1800	90	MM09114-APN	3GAA092520-ASE+332+333	M3AA 90LB 4	403	M1	12.19	35	230D/400Y,50Hz, 460Y,60Hz	No	11, 25
	3000/3600	90	MM09114-PP	3GBP092322-ASB+332+333	M3BP 90SLC 4	449	M1	14.06	57	230D/400Y,50Hz, 460Y,60Hz	No	11, 25
3/4	1500/1800	90	MM09152-APN	3GAA091500-ASE+332+333	M3AA 90L 2	387	M1	12.19	35	230D/400Y,50Hz, 460Y,60Hz	No	11, 25
	3000/3600	90	MM09152-PP	3GBP091322-ASB+332+333	M3BP 90SLB 2	492	M1	14.06	53	230D/400Y,50Hz, 460Y,60Hz	No	11, 25
3/4	1500/1800	90	MM09154-APN	3GAA092540-ASE+332+333	M3AA 90LD 4	475	M1	13.05	35	230D/400Y,50Hz, 460Y,60Hz	No	11, 25
	3000/3600	90	MM09154-PP	3GBP092325-ASB+332+333	M3BP 90SLD 4	530	M1	14.06	62	230D/400Y,50Hz, 460Y,60Hz	No	11, 25
3/4	1500/1800	90	MM09222-APN	3GAA091520-ASE+332+333	M3AA 90LB 2	556	M1	12.19	35	230D/400Y,50Hz, 460Y,60Hz	No	11, 25
	3000/3600	90	MM09222-PP	3GBP091323-ASB+332+333	M3BP 90SLC 2	620	M1	14.06	55	230D/400Y,50Hz, 460Y,60Hz	No	11, 25
3/4	1500/1800	100	MM10224-APN	3GAA102530-ASE+332	M3AA 100LC 4	581	M1	13.82	59	230D/400Y,50Hz, 460Y,60Hz	No	11, 25
	3000/3600	100	MM10224-PP	3GBP102323-ASB+332	M3BP 100LC 4	648	M1	15.00	79	230D/400Y,50Hz, 460Y,60Hz	No	11, 25
3/4	1500/1800	100	MM10032-APN	3GAA101520-ASE+332	M3AA 100LB 2	657	M1	13.82	55	230D/400Y,50Hz, 460Y,60Hz	No	11, 25
	3000/3600	100	MM10032-PP	3GBP101322-ASB+332	M3BP 100LB 2	733	M1	15.00	79	230D/400Y,50Hz, 460Y,60Hz	No	11, 25
3/4	1500/1800	100	MM10034-APN	3GAA102540-ASE+332	M3AA 100LD 4	693	M1	13.82	64	230D/400Y,50Hz, 460Y,60Hz	No	11, 25
	3000/3600	100	MM10034-PP	3GBP102324-ASB+332	M3BP 100LD 4	773	M1	15.00	84	230D/400Y,50Hz, 460Y,60Hz	No	11, 25

(a) See notes on inside back flap. Cast Iron Frame Red Catalog Number indicates **NEW** Product.

Motors are stamped with kW only.

Motor listed above are not suitable for use at 690V on VFD.

280 frame motors listed above are not suitable for use on VFD.

Variant codes: 002 = Non-standard rating plate

011 = Fulfilling CSA and NRCAN

332 = Baldor Catalog number stamped on rating plate

333 = Not for use in the USA

509 = Fulfilling EISA Subtype I efficiency requirements, CC031A

531 = Sea freight packaging

Motors shown as "60 Hz Use in US" are compliant with U.S. DOE.

Metric IEC Frame Motors, Three Phase, 50/60 Hz, Foot Mounted

kW/HP	RPM	IEC Frame	Catalog Number	ABB Product Code	ABB Type Number	List Price	Mult. Sym.	"L" Dim. (in)	Aprx. Wt. (lb)	Voltage	For Use in US	Notes (a)
4/5.3	3000/3600	112	MM11042-APN	3GAA111320-ASE+332+333	M3AA 112MB 2	785	M1	15.47	66	230D/400Y,50Hz, 460Y,60Hz	No	11, 25
		112	MM11042-PP	3GBP111322-ASB+332+333	M3BP 112MB 2	876	M1	15.87	82	230D/400Y,50Hz, 460Y,60Hz	No	11, 25
		112	EMM11042-AP-50N	3GAA111320-ADJ+332	M3AA 112MB 2	902	M1	15.35	77	400D/415D/690Y, 50Hz	No	11, 25
	1500/1800	112	MM11044-APN	3GAA112320-ASE+332+333	M3AA 112MB 4	821	M1	15.47	75	230D/400Y,50Hz, 460Y,60Hz	No	11, 25
112		MM11044-PP	3GBP112322-ASB+332+333	M3BP 112MB 4	916	M1	15.87	97	230D/400Y,50Hz, 460Y,60Hz	No	11, 25	
5.5/7.5	3000/3600	132	MM13552-APN	3GAA131120-ADE+332+333	M3AA 132SB 2	1,024	M1	17.60	123	400D/690Y,50Hz, 460D,60Hz	No	11, 25
		132	MM13552-PP	3GBP131322-ADB+332+333	M3BP 132SMB 2	1,142	M1	21.00	150	400D/690Y,50Hz, 460D,60Hz	No	11, 25
		132	EMM13552-AP-50N	3GAA131120-ADJ+332	M3AA 132SB 2	1,177	M1	19.17	123	400D/415D/690Y, 50Hz	No	11, 25
	1500/1800	132	MM13554-APN	3GAA132300-ADE+332+333	M3AA 132M 4	1,053	M1	17.60	106	400D/690Y,50Hz, 460D,60Hz	No	11, 25
		132	MM13554-PP	3GBP132322-ADB+332+333	M3BP 132SMB 4	1,175	M1	21.00	154	400D/690Y,50Hz, 460D,60Hz	No	11, 25
		132	EMM13554-AP-50N	3GAA132300-ADJ+332	M3AA 132M 4	1,211	M1	17.60	106	400D/415D/690Y, 50Hz	No	11, 25
7.5/10	3000/3600	132	MM13752-APN	3GAA131130-ADE+332+333	M3AA 132SC 2	1,274	M1	17.60	123	400D/690Y,50Hz, 460D,60Hz	No	11, 25
		132	MM13752-PP	3GBP131324-ADB+332+333	M3BP 132SMC 2	1,421	M1	21.00	154	400D/690Y,50Hz, 460D,60Hz	No	11, 25
		132	EMM13752-AP-50N	3GAA131130-ADJ+332	M3AA 132SC 2	1,465	M1	19.17	139	400D/415D/690Y, 50Hz	No	11, 25
	1500/1800	132	MM13754-APN	3GAA132310-ADE+332+333	M3AA 132MA 4	1,328	M1	17.60	130	400D/690Y,50Hz, 460D,60Hz	No	11, 25
		132	MM13754-PP	3GBP132323-ADB+332+333	M3BP 132 SMC 4	1,481	M1	21.00	161	400D/690Y,50Hz, 460D,60Hz	No	11, 25
		132	EMM13754-AP-50N	3GAA132310-ADJ+332	M3AA 132MA 4	1,530	M1	17.60	130	400D/415D/690Y, 50Hz	No	11, 25
1000/1200	160	EMM16756-APN	3GAA163410-ADK+011+332+509	M3AA 160MLA 6	2,614	M1	22.99	480	400D/415D/690Y,50Hz, 460D,60Hz	Yes	11, 25	
11/15	3000/3600	160	EMM16112-APN	3GAA161410-ADK+011+332+509	M3AA 160MLA 2	2,411	M1	22.99	234	400D/415D/690Y,50Hz, 460D,60Hz	Yes	11, 25
		160	EMM16112-PPN	3GBP161410-ADK+332+509	M3BP 160MLA 2	2,699	M1	22.99	311	400D/415D/690Y,50Hz, 460D,60Hz	Yes	11, 25
		160	MM16112-APN	3GAA161410-ADG+332+333	M3AA 160MLA 2	1,798	M1	22.99	201	400D/415D/690Y,50Hz, 460D,60Hz	No	11, 25
		160	MM16112-PPN	3GBP161410-ADG+332+333	M3BP 160MLA 2	2,018	M1	22.99	280	400D/415D/690Y,50Hz, 460D,60Hz	No	11, 25
	1500/1800	160	EMM16114-APN	3GAA162410-ADK+011+332+509	M3AA 160MLA 4	2,461	M1	22.99	277	400D/415D/690Y,50Hz, 460D,60Hz	Yes	11, 25
		160	EMM16114-PPN	3GBP162410-ADK+011+332+509	M3BP 160MLA 4	2,755	M1	22.99	382	400D/415D/690Y,50Hz, 460D,60Hz	Yes	11, 25
		160	MM16114-APN	3GAA162410-ADG+332+333	M3AA 160MLA 4	1,835	M1	22.99	218	400D/415D/690Y,50Hz, 460D,60Hz	No	11, 25
		160	MM16114-PPN	3GBP162410-ADG+332+333	M3BP 160MLA 4	2,059	M1	22.99	298	400D/415D/690Y,50Hz, 460D,60Hz	No	11, 25
1000/1200	160	EMM16116-APN	3GAA163420-ADK+011+332+509	M3AA 160MLB 6	4,587	M1	26.81	306	400D/415D/690Y,50Hz, 460D,60Hz	Yes	11, 25	
15/20	3000/3600	160	EMM16152-APN	3GAA161420-ADK+011+332+509	M3AA 160MLB 2	3,135	M1	22.99	271	400D/415D/690Y,50Hz, 460D,60Hz	Yes	11, 25
		160	EMM16152-PPN	3GBP161420-ADK+332+509	M3BP 160MLB 2	3,510	M1	22.99	375	400D/415D/690Y,50Hz, 460D,60Hz	Yes	11, 25
		160	MM16152-APN	3GAA161420-ADG+332+333	M3AA 160MLB 2	2,337	M1	22.99	231	400D/415D/690Y,50Hz, 460D,60Hz	No	11, 25
		160	MM16152-PPN	3GBP161420-ADG+332+333	M3BP 160MLB 2	2,622	M1	22.99	311	400D/415D/690Y,50Hz, 460D,60Hz	No	11, 25
	1500/1800	160	EMM16154-APN	3GAA162420-ADK+011+332+509	M3AA 160MLB 4	3,194	M1	26.81	308	400D/415D/690Y,50Hz, 460D,60Hz	Yes	11, 25
		160	EMM16154-PPN	3GBP162420-ADK+011+332+509	M3BP 160MLB 4	3,575	M1	26.81	413	400D/415D/690Y,50Hz, 460D,60Hz	Yes	11, 25
		160	MM16154-APN	3GAA162420-ADG+332+333	M3AA 160MLB 4	2,381	M1	26.81	260	400D/415D/690Y,50Hz, 460D,60Hz	No	11, 25
		160	MM16154-PPN	3GBP162420-ADG+332+333	M3BP 160MLB 4	2,672	M1	26.81	364	400D/415D/690Y,50Hz, 460D,60Hz	No	11, 25
1000/1200	180	EMM18156-APN	3GAA183410-ADK+011+332+509	M3AA 180MLA 6	4,424	M1	28.58	385	400D/415D/690Y,50Hz, 460D,60Hz	Yes	11, 25	
18.5/25	3000/3600	160	EMM16182-APN	3GAA161430-ADK+011+332+509	M3BP 160MLC 2	3,780	M1	26.81	403	400D/415D/690Y,50Hz, 460D,60Hz	Yes	11, 25
		160	EMM16182-PPN	3GBP161430-ADK+011+332+509	M3BP 160MLC 2	4,231	M1	26.81	403	400D/415D/690Y,50Hz, 460D,60Hz	Yes	11, 25
		160	MM16182-APN	3GAA161430-ADG+332+333	M3AA 160MLC 2	2,804	M1	26.81	271	400D/415D/690Y,50Hz, 460D,60Hz	No	11, 25
		160	MM16182-PPN	3GBP161430-ADG+332+333	M3BP 160MLC 2	3,146	M1	26.81	375	400D/415D/690Y,50Hz, 460D,60Hz	No	11, 25
	1500/1800	180	EMM18184-APN	3GAA182410-ADK+011+332+509	M3AA 180MLA 4	3,604	M1	28.58	389	400D/415D/690Y,50Hz, 460D,60Hz	Yes	11, 25
		180	EMM18184-PPN	3GBP182410-ADK+011+332+509	M3BP 180MLA 4	4,034	M1	28.58	519	400D/415D/690Y,50Hz, 460D,60Hz	Yes	11, 25
		180	MM18184-APN	3GAA182410-ADG+332+333	M3AA 180MLA 4	2,706	M1	28.58	322	400D/415D/690Y,50Hz, 460D,60Hz	No	11, 25
		180	MM18184-PPN	3GBP182410-ADG+332+333	M3BP 180MLA 4	3,036	M1	28.58	452	400D/415D/690Y,50Hz, 460D,60Hz	No	11, 25
1000/1200	200	EMM20186-APN	3GAA203410-ADK+011+332+509	M3AA 200MLA 6	5,274	M1	32.32	480	400D/415D/690Y,50Hz, 460D,60Hz	Yes	11, 25	

(a) See notes on inside back flap.

■ Cast Iron Frame

Red Catalog Number indicates **NEW** Product.

Motors are stamped with kW only.

Motor listed above are not suitable for use at 690V on VFD.

280 frame motors listed above are not suitable for use on VFD.

Variant codes: 002 = Non-standard rating plate

011 = Fulfilling CSA and NRCAN

332 = Baldor Catalog number stamped on rating plate

333 = Not for use in the USA

509 = Fulfilling EISA Subtype I efficiency requirements, CC031A

531 = Sea freight packaging

Motors shown as "60 Hz Use in US" are compliant with U.S. DOE.

Define Purpose Motors

Unit Handling Motors

Brake Motors

IEC Frame Motors

50 Hertz Motors

Inverter/Vector Motors & Controls

DC Motors and Controls

Gearmotors and Gear Products

Motor Accessories

Grinders

Metric IEC Frame Motors, Three Phase, 50/60 Hz, Foot Mounted

	kW/HP	RPM	IEC Frame	Catalog Number	ABB Product Code	ABB Type Number	List Price	Mult. Sym.	"L" Dim. (in)	Aprx. Wt. (lb)	Voltage	For Use in US	Notes (a)
Unit Handling Motors	22/30	3000/3600	180	EMM18222-APN	3GAA181410-ADK+011+332+509	M3AA 180MLA 2	4,249	M1	28.58	387	400D/415D/690Y,50Hz, 460D,60Hz	Yes	11, 25
			180	EMM18222-PPN	3GBP181410-ADK+332+509	M3BP 180MLA 2	4,756	M1	28.58	516	400D/415D/690Y,50Hz, 460D,60Hz	Yes	11, 25
			180	MM18222-APN	3GAA181410-ADG+332+333	M3AA 180MLA 2	3,198	M1	28.58	291	400D/415D/690Y,50Hz, 460D,60Hz	No	11, 25
			180	MM18222-PPN	3GBP181410-ADG+332+333	M3BP 180MLA 2	3,588	M1	28.58	419	400D/415D/690Y,50Hz, 460D,60Hz	No	11, 25
Brake Motors	22/30	1500/1800	180	EMM18224-APN	3GAA182420-ADK+011+332+509	M3AA 180MLB 4	4,336	M1	28.58	387	400D/415D/690Y,50Hz, 460D,60Hz	Yes	11, 25
			180	EMM18224-PPN	3GBP182420-ADK+011+332+509	M3BP 180MLB 4	4,854	M1	28.58	519	400D/415D/690Y,50Hz, 460D,60Hz	Yes	11, 25
			180	MM18224-APN	3GAA182420-ADG+332+333	M3AA 180MLB 4	3,247	M1	28.70	359	400D/415D/690Y,50Hz, 460D,60Hz	No	11, 25
			180	MM18224-PPN	3GBP182420-ADG+332+333	M3BP 180MLB 4	3,643	M1	28.58	490	400D/415D/690Y,50Hz, 460D,60Hz	No	11, 25
IEC Frame Motors	30/40	1000/1200	200	EMM20226-APN	3GAA203420-ADK+011+332+509	M3AA 200MLB 6	6,212	M1	32.32	539	400D/415D/690Y,50Hz, 460D,60Hz	Yes	11, 25
			200	EMM20302-PPN	3GBP201410-ADK+011+332+509	M3BP 200MLA 2	5,937	M1	32.32	657	400D/415D/690Y,50Hz, 460D,60Hz	Yes	11, 25
			200	MM20302-APN	3GAA201410-ADG+332+333	M3AA 200MLA 2	4,010	M1	32.32	463	400D/415D/690Y,50Hz, 460D,60Hz	No	11, 25
			200	MM20302-PPN	3GBP201410-ADG+332+333	M3BP 200MLA 2	4,499	M1	32.32	624	400D/415D/690Y,50Hz, 460D,60Hz	No	11, 25
50 Hertz Motors	30/40	1500/1800	200	EMM20304-PPN	3GBP202410-ADK+011+332+509	M3BP 200MLA 4	6,166	M1	32.32	703	400D/415D/690Y,50Hz, 460D,60Hz	Yes	11, 25
			200	MM20304-APN	3GAA202410-ADG+332+333	M3AA 200MLA 4	4,182	M1	32.32	481	400D/415D/690Y,50Hz, 460D,60Hz	No	11, 25
			200	MM20304-PPN	3GBP202410-ADG+332+333	M3BP 200MLA 4	4,692	M1	32.32	642	400D/415D/690Y,50Hz, 460D,60Hz	No	11, 25
			200	EMM20372-PPN	3GBP201420-ADK+332+509	M3BP 200MLB 2	7,806	M1	32.32	692	400D/415D/690Y,50Hz, 460D,60Hz	Yes	11, 25
Inverter/Vector Motors & Controls	37/50	3000/3600	200	MM20372-APN	3GAA201420-ADG+332+333	M3AA 200MLB 2	5,264	M1	32.32	496	400D/415D/690Y,50Hz, 460D,60Hz	No	11, 25
			200	MM20372-PPN	3GBP201420-ADG+332+333	M3BP 200MLB 2	5,906	M1	32.32	657	400D/415D/690Y,50Hz, 460D,60Hz	No	11, 25
			225	EMM22374-PPN	3GBP222210-ADK+011+332+509	M3BP 225SMA 4	7,511	M1	34.65	877	400D/415D/690Y,50Hz, 460D,60Hz	Yes	11, 25
			225	MM22374-APN	3GAA222210-ADG+332+333	M3AA 225SMA 4	5,068	M1	34.65	530	400D/415D/690Y,50Hz, 460D,60Hz	No	11, 25
50 Hertz Motors	45/60	1500/1800	225	EMM22374-PPN	3GBP222210-ADG+332+333	M3BP 225SMA 4	5,686	M1	34.65	714	400D/415D/690Y,50Hz, 460D,60Hz	No	11, 25
			225	EMM22452-PPN	3GBP221210-ADK+332+509	M3BP 225SMA 2	9,381	M1	33.46	692	400D/415D/690Y,50Hz, 460D,60Hz	Yes	11, 25
			225	MM22452-APN	3GAA221210-ADG+332+333	M3AA 225SMA 2	6,396	M1	33.46	580	400D/415D/690Y,50Hz, 460D,60Hz	No	11, 25
			225	MM22452-PPN	3GBP221210-ADG+332+333	M3BP 225SMA 2	7,176	M1	33.46	580	400D/415D/690Y,50Hz, 460D,60Hz	No	11, 25
DC Motors and Controls	75/100	1500/1800	225	EMM22454-PPN	3GBP222220-ADK+011+332+509	M3BP 225SMB 4	9,053	M1	34.65	877	400D/415D/690Y,50Hz, 460D,60Hz	Yes	11, 25
			225	MM22454-APN	3GAA222220-ADG+332+333	M3AA 225SMB 4	6,175	M1	34.65	602	400D/415D/690Y,50Hz, 460D,60Hz	No	11, 25
			225	MM22454-PPN	3GBP222220-ADG+332+333	M3BP 225SMB 4	6,928	M1	34.65	785	400D/415D/690Y,50Hz, 460D,60Hz	No	11, 25
			250	EMM25552-PPN	3GBP251210-ADK+011+332+509	M3BP 250SMA 2	11,382	M1	34.80	997	400D/415D/690Y,50Hz, 460D,60Hz	Yes	11, 25
Gearmotors and Gear Products	55/75	3000/3600	250	MM25552-APN	3GAA251210-ADG+332+333	M3AA 250SMA 2	7,823	M1	34.80	670	400D/415D/690Y,50Hz, 460D,60Hz	No	11, 25
			250	MM25552-PPN	3GBP251210-ADG+332+333	M3BP 250SMA 2	8,777	M1	34.80	893	400D/415D/690Y,50Hz, 460D,60Hz	No	11, 25
			250	EMM25554-PPN	3GBP252210-ADK+011+332+509	M3BP 250SMA 4	10,922	M1	34.80	1049	400D/415D/690Y,50Hz, 460D,60Hz	Yes	11, 25
			250	MM25554-APN	3GAA252210-ADG+332+333	M3AA 250SMA 4	7,503	M1	34.80	692	400D/415D/690Y,50Hz, 460D,60Hz	No	11, 25
Motor Accessories	90/125	1500/1800	250	MM25554-PPN	3GBP252210-ADG+332+333	M3BP 250SMA 4	8,418	M1	34.80	913	400D/415D/690Y,50Hz, 460D,60Hz	No	11, 25
			280	EMM28752-PP	3GBP281220-ADK+332+509+531	M3BP 280SMB 2	13,403	M1	34.80	1466	400D/690Y,50Hz, 460D,60Hz	Yes	11, 25
			280	MM28752-PP	3GBP281210-ADG+332+333+531	M3BP 280SMA 2	11,253	M1	34.80	1378	400D/415D/690Y,50Hz	No	11, 25
			280	EMM28754-PP	3GBP282220-ADK+011+332+509+531	M3BP 280SMB 4	12,976	M1	34.80	1466	400D/690Y,50Hz, 460D,60Hz	Yes	11, 25
Grinders	90/125	3000/3600	280	EMM28754-PP	3GBP282210-ADG+332+333+531	M3BP 280SMA 4	10,914	M1	34.80	1378	400D/415D/690Y,50Hz	No	11, 25
			280	EMM28902-PP	3GBP281230-ADK+332+509+531	M3BP 280SMC 2	15,940	M1	34.80	1598	400D/690Y,50Hz, 460D,60Hz	Yes	11, 25
			280	MM28902-PP	3GBP281220-ADG+332+333+531	M3BP 280SMB 2	13,383	M1	34.80	1466	400D/415D/690Y,50Hz	No	11, 25
			280	EMM28904-PP	3GBP282230-ADK+011+332+509+533	M3BP 280SMC 4	15,059	M1	34.80	1598	400D/690Y,50Hz, 460D,60Hz	Yes	11, 25
Grinders	90/125	1500/1800	280	MM28904-PP	3GBP282220-ADG+332+333+531	M3BP 280SMB 4	12,632	M1	34.80	1466	400D/415D/690Y,50Hz	No	11, 25

(a) See notes on inside back flap.

■ Cast Iron Frame

Red Catalog Number indicates **NEW** Product.

Motors are stamped with kW only.

Motor listed above are not suitable for use at 690V on VFD.

280 frame motors listed above are not suitable for use on VFD.

Variant codes: 002 = Non-standard rating plate

011 = Fulfilling CSA and NRCAN

332 = Baldor Catalog number stamped on rating plate

333 = Not for use in the USA

509 = Fulfilling EISA Subtype I efficiency requirements, CC031A

531 = Sea freight packaging

Motors shown as "60 Hz Use in US" are compliant with U.S. DOE.

Metric IEC Frame Motors, Three Phase, 60 Hz, 460 Volts

.25 thru 7.5 kW (.33-10 Hp)

IP55



Features:

- Cast iron (severe duty)
- IE3 efficiency per IEC 60034-30
- 6 post terminal block
- Class F insulation with Class B temperature limits
- PTC thermistors (3 in series)
- Inverter ready 2:1 CT & 20:1 VT

Applications:

- Pumps
- Compressors
- Fans
- Conveyors
- General purpose requiring IEC metric mounting

kW/HP	RPM	IEC Frame	Catalog Number	ABB Product Code	ABB Type Number	List Price	Mult. Sym.	"L" Dim. (in)	Aprx. Wt. (lb)	Voltage	For Use in US	Notes (a)
B3, Foot Mounted												
0.25/33	1200	80	EMM08256-PP	3GBP083310-ACK+332	M3BP 80MA 6	417	M	13.03	31	460Y,60hz	Yes	11, 25, 82
0.37/50	1200	80	EMM08376-PP	3GBP083340-ACK+332	M3BP 80MD 6	459	M	13.03	35	460Y,60hz	Yes	11, 25, 82
0.55/75	1800	80	EMM08554-PP	3GBP082440-ACK+332	M3BP 80MLD 4	427	M	14.29	44	460Y,60hz	Yes	11, 25, 82
	1200	80	EMM08556-PP	3GBP083470-ACK+332	M3BP 80MLG 6	525	M	14.29	46	460Y,60hz	Yes	11, 25, 82
0.75/1	3600	80	EMM08752-PP	3GBP081340-ACK+332	M3BP 80MD 2	479	M	13.03	40	460Y,60hz	Yes	11, 25, 82
	1800	80	EMM08754-PP	3GBP082470-ACK+332	M3BP 80MLG 4	499	M	14.29	49	460Y,60hz	Yes	11, 25, 82
	1200	90	EMM09756-PP	3GBP093570-ACK+332+509	M3BP 90LG 6	628	M1	15.35	75	460Y,60hz	Yes	11, 25, 82
1.1/1.5	3600	80	EMM08112-PP	3GBP081370-ACK+332	M3BP 80MG 2	525	M	13.03	42	460Y,60hz	Yes	11, 25, 82
	1200	100	EMM10116-PP	3GBP103870-ACK+332+509	M3BP 100LKG 6	773	M1	17.13	104	460Y,60hz	Yes	11, 25, 82
	1800	90	EMM09114-PP	3GBP092530-ACK+332+509	M3BP 90LC 4	570	M1	15.35	73	460Y,60hz	Yes	11, 25, 82
1.5/2	3600	90	EMM09152-PP	3GBP091520-ACK+332+509	M3BP 90LB 2	622	M1	15.35	68	460Y,60hz	Yes	11, 25, 82
	1800	90	EMM09154-PP	3GBP092540-ACK+332+509	M3BP 90LD 4	670	M1	15.35	75	460Y,60hz	Yes	11, 25, 82
2.2/3	1200	112	EMM11156-PP	3GBP113380-ACK+332+509	M3BP 112MH 6	884	M1	17.40	117	460Y,60hz	Yes	11, 25, 82
	3600	90	EMM09222-PP	3GBP091530-ACK+332+509	M3BP 90LC 2	783	M1	15.35	77	460Y,60hz	Yes	11, 25, 82
	1800	100	EMM10224-PP	3GBP102810-ACK+332+509	M3BP 100LKA 4	821	M1	17.13	108	460Y,60hz	Yes	11, 25, 82
3/4	1200	132	EMM13226-PP	3GBP133230-ACK+332+509	M3BP 132SMC 6	1,109	M1	20.94	179	460Y,60hz	Yes	11, 25, 82
	3600	100	EMM10032-PP	3GBP101810-ACK+332+509	M3BP 100LKA 2	929	M1	17.13	110	460Y,60hz	Yes	11, 25, 82
	1800	100	EMM10034-PP	3GBP102820-ACK+332+509	M3BP 100LKB 4	976	M1	17.13	108	460Y,60hz	Yes	11, 25, 82
4/5.3	1200	132	EMM13036-PP	3GBP133240-ACK+332+509	M3BP 132SMD 6	1,381	M1	20.94	181	460Y,60hz	Yes	11, 25, 82
	3600	112	EMM11042-PP	3GBP111370-ACK+332+509	M3BP 112MG 2	1,107	M1	17.40	123	460Y,60hz	Yes	11, 25, 82
	1800	112	EMM11044-PP	3GBP112370-ACK+332+509	M3BP 112MG 4	1,160	M1	17.40	115	460Y,60hz	Yes	11, 25, 82
5.5/7.5	1200	132	EMM13046-PP	3GBP133270-ACK+332+509	M3BP 132SMG 6	1,719	M1	20.94	181	460Y,60hz	Yes	11, 25, 82
	3600	132	EMM13552-PP	3GBP131260-APK+332+509	M3BP 132SMF 2	1,443	M1	20.94	170	460D,60hz	Yes	11, 25, 82
	1800	132	EMM13554-PP	3GBP132260-APK+332+509	M3BP 132SMF 4	1,486	M1	20.94	179	460D,60hz	Yes	11, 25, 82
7.5/10	1200	132	EMM13556-PP	3GBP133280-APK+332+509	M3BP 132SMH 6	2,126	M1	20.94	174	460D,60hz	Yes	11, 25, 82
	3600	132	EMM13752-PP	3GBP131270-APK+332+509	M3BP 132SMG 2	1,797	M1	20.94	170	460D,60hz	Yes	11, 25, 82
	1800	132	EMM13754-PP	3GBP132270-APK+332+509	M3BP 132SMG 4	1,877	M1	20.94	179	460D,60hz	Yes	11, 25, 82
B5, Flange Mounted												
0.25/33	1200	80	EMVM08256D-PP	3GBP083310-BCK+332	M3BP 80MA 6	482	M	13.03	31	460Y,60hz	Yes	11, 25, 82
0.37/50	1200	80	EMVM08376D-PP	3GBP083340-BCK+332	M3BP 80MD 6	525	M	13.03	35	460Y,60hz	Yes	11, 25, 82
0.55/75	1800	80	EMVM08554D-PP	3GBP082440-BCK+332	M3BP 80MLD 4	497	M	14.29	44	460Y,60hz	Yes	11, 25, 82
	1200	80	EMVM08556D-PP	3GBP083470-BCK+332	M3BP 80MLG 6	590	M	14.29	46	460Y,60hz	Yes	11, 25, 82
0.75/1	3600	80	EMVM08752D-PP	3GBP081340-BCK+332	M3BP 80MD 2	550	M	13.03	40	460Y,60hz	Yes	11, 25, 82
	1800	80	EMVM08754D-PP	3GBP082470-BCK+332	M3BP 80MLG 4	560	M	14.29	49	460Y,60hz	Yes	11, 25, 82
	1200	90	EMVM09756D-PP	3GBP093570-BCK+332+509	M3BP 90LG 6	688	M1	15.35	75	460Y,60hz	Yes	11, 25, 82
1.1/1.5	3600	80	EMVM08112D-PP	3GBP081370-BCK+332	M3BP 80MG 2	590	M	13.03	42	460Y,60hz	Yes	11, 25, 82
	1200	100	EMVM10116D-PP	3GBP103870-BCK+332+509	M3BP 100LKG 6	823	M1	17.13	104	460Y,60hz	Yes	11, 25, 82
	1800	90	EMVM09114D-PP	3GBP092530-BCK+332-509	M3BP 90LC 4	640	M1	15.35	73	460Y,60hz	Yes	11, 25, 82
1.5/2	3600	90	EMVM09152D-PP	3GBP091520-BCK+332+509	M3BP 90LB 2	695	M1	15.35	68	460Y,60hz	Yes	11, 25, 82
	1800	90	EMVM09154D-PP	3GBP092540-BCK+332+509	M3BP 90LD 4	768	M1	15.35	75	460Y,60hz	Yes	11, 25, 82
	1200	112	EMVM11156D-PP	3GBP113380-BCK+332+509	M3BP 112MH 6	956	M1	17.40	117	460Y,60hz	Yes	11, 25, 82

(a) See notes on inside back flap. ■ Cast Iron Frame

Motors are stamped with kW only.

Motors shown as "60 Hz Use in US" are compliant with U.S. DOE.

Please note motors are wound for 460V/60 Hz only.

Variant codes: 332 = Baldor Catalog number stamped on rating plate

509 = Fulfilling EISA Subtype I efficiency requirements, CC031A

Metric IEC Frame Motors, Three Phase, 60 Hz, 460 Volts

.25 thru 7.5 kW (.33-10 Hp)

IP55



Features:

- Cast iron (severe duty)
- IE3 efficiency per IEC 60034-30
- 6 post terminal block
- Class F insulation with Class B temperature limits
- PTC thermistors (3 in series)
- Inverter ready 2:1 CT & 20:1 VT

Applications:

- Pumps
- Compressors
- Fans
- Conveyors
- General purpose requiring IEC metric mounting

kW/HP	RPM	IEC Frame	Catalog Number	ABB Product Code	ABB Type Number	List Price	Mult. Sym.	"L" Dim. (in)	Aprx. Wt. (lb)	Voltage	For Use in US	Notes (a)
B5, Flange Mounted continued												
2.2/3	3600	90	EMVM09222D-PP	3GBP091530-BCK+332+509	M3BP 90LC 2	861	M1	15.35	77	460Y,60hz	Yes	11, 25, 82
	1800	100	EMVM10224D-PP	3GBP102810-BCK+332+509	M3BP 100LKA 4	911	M1	17.13	108	460Y,60hz	Yes	11, 25, 82
	1200	132	EMVM13226D-PP	3GBP133230-BCK+332+509	M3BP 132SMC 6	1,182	M1	20.94	179	460Y,60hz	Yes	11, 25, 82
3/4	3600	100	EMVM10032D-PP	3GBP101810-BCK+332+509	M3BP 100LKA 2	1,022	M1	17.13	110	460Y,60hz	Yes	11, 25, 82
	1800	100	EMVM10034D-PP	3GBP102820-BCK+332+509	M3BP 100LKB 4	1,087	M1	17.13	108	460Y,60hz	Yes	11, 25, 82
	1200	132	EMVM13036D-PP	3GBP133240-BCK+332+509	M3BP 132SMD 6	1,483	M1	20.94	181	460Y,60hz	Yes	11, 25, 82
4/5.3	3600	112	EMVM11042D-PP	3GBP111370-BCK+332+509	M3BP 112MG 2	1,222	M1	17.40	123	460Y,60hz	Yes	11, 25, 82
	1800	112	EMVM11044D-PP	3GBP112370-BCK+332+509	M3BP 112MG 4	1,270	M1	17.40	115	460Y,60hz	Yes	11, 25, 82
	1200	132	EMVM13046D-PP	3GBP133270-BCK+332+509	M3BP 132SMG 6	1,805	M1	20.94	181	460Y,60hz	Yes	11, 25, 82
5.5/7.5	3600	132	EMVM13552D-PP	3GBP131260-BPK+332+509	M3BP 132SMF 2	1,591	M1	20.94	170	460D,60hz	Yes	11, 25, 82
	1800	132	EMVM13554D-PP	3GBP132260-BPK+332+509	M3BP 132SMF 4	1,624	M1	20.94	179	460D,60hz	Yes	11, 25, 82
	1200	132	EMVM13556D-PP	3GBP133280-BPK+332+509	M3BP 132SMH 6	2,194	M1	20.94	174	460D,60hz	Yes	11, 25, 82
7.5/10	3600	132	EMVM13752D-PP	3GBP131270-BPK+332+509	M3BP 132SMG 2	1,933	M1	20.94	170	460D,60hz	Yes	11, 25, 82
	1800	132	EMVM13754D-PP	3GBP132270-BPK+332+509	M3BP 132SMG 4	2,048	M1	20.94	179	460D,60hz	Yes	11, 25, 82
B14, Face Mounted												
0.25/33	1200	80	EMVM08256C-PP	3GBP083310-BCK+047+332	M3BP 80MA 6	602	M	13.03	31	460Y,60hz	Yes	11, 25, 82
0.37/50	1200	80	EMVM08376C-PP	3GBP083340-BCK+047+332	M3BP 80MD 6	645	M	13.03	35	460Y,60hz	Yes	11, 25, 82
0.55/75	1800	80	EMVM08554C-PP	3GBP082440-BCK+047+332	M3BP 80MLD 4	617	M	14.29	44	460Y,60hz	Yes	11, 25, 82
	1200	80	EMVM08556C-PP	3GBP083470-BCK+047+332	M3BP 80MLG 6	710	M	14.29	46	460Y,60hz	Yes	11, 25, 82
0.75/1	3600	80	EMVM08752C-PP	3GBP081340-BCK+047+332	M3BP 80MD 2	670	M	13.03	40	460Y,60hz	Yes	11, 25, 82
	1800	80	EMVM08754C-PP	3GBP082470-BCK+047+332	M3BP 80MLG 4	680	M	14.29	49	460Y,60hz	Yes	11, 25, 82
	1200	90	EMVM09756C-PP	3GBP093570-BCK+047+332+509	M3BP 90LG 6	808	M1	15.35	75	460Y,60hz	Yes	11, 25, 82
1.1/1.5	3600	80	EMVM08112C-PP	3GBP081370-BCK+047+332	M3BP 80MG 2	710	M	13.03	42	460Y,60hz	Yes	11, 25, 82
	1200	100	EMVM10116C-PP	3GBP103870-BCK+047+332+509	M3BP 100LKG 6	944	M1	17.13	104	460Y,60hz	Yes	11, 25, 82
	1800	90	EMVM09114C-PP	3GBP092530-BCK+047+332+509	M3BP 90LC 4	761	M1	15.35	73	460Y,60hz	Yes	11, 25, 82
1.5/2	3600	90	EMVM09152C-PP	3GBP091520-BCK+047+332+509	M3BP 90LB 2	816	M1	15.35	68	460Y,60hz	Yes	11, 25, 82
	1800	90	EMVM09154C-PP	3GBP092540-BCK+047+332+509	M3BP 90LD 4	889	M1	15.35	75	460Y,60hz	Yes	11, 25, 82
	1200	112	EMVM11156C-PP	3GBP113380-BCK+047+332+509	M3BP 112MH 6	1,130	M1	17.40	117	460Y,60hz	Yes	11, 25, 82
2.2/3	3600	90	EMVM09222C-PP	3GBP091530-BCK+047+332+509	M3BP 90LC 2	981	M1	15.35	77	460Y,60hz	Yes	11, 25, 82
	1800	100	EMVM10224C-PP	3GBP102810-BCK+047+332+509	M3BP 100LKA 4	1,032	M1	17.13	108	460Y,60hz	Yes	11, 25, 82
	1200	132	EMVM13226C-PP	3GBP133230-BCK+047+332+509	M3BP 132SMC 6	1,355	M1	20.94	179	460Y,60hz	Yes	11, 25, 82
3/4	3600	100	EMVM10032C-PP	3GBP101810-BCK+047+332+509	M3BP 100LKA 2	1,142	M1	17.13	110	460Y,60hz	Yes	11, 25, 82
	1800	100	EMVM10034C-PP	3GBP102820-BCK+047+332+509	M3BP 100LKB 4	1,207	M1	17.13	108	460Y,60hz	Yes	11, 25, 82
	1200	132	EMVM13036C-PP	3GBP133240-BCK+047+332+509	M3BP 132SMD 6	1,657	M1	20.94	181	460Y,60hz	Yes	11, 25, 82
4/5.3	3600	112	EMVM11042C-PP	3GBP111370-BCK+047+332+509	M3BP 112MG 2	1,396	M1	17.40	123	460Y,60hz	Yes	11, 25, 82
	1800	112	EMVM11044C-PP	3GBP112370-BCK+047+332+509	M3BP 112MG 4	1,443	M1	17.40	115	460Y,60hz	Yes	11, 25, 82
	1200	132	EMVM13046C-PP	3GBP133270-BCK+047+332+509	M3BP 132SMG 6	1,805	M1	20.94	181	460Y,60hz	Yes	11, 25, 82
5.5/7.5	3600	132	EMVM13552C-PP	3GBP131260-BPK+047+332+509	M3BP 132SMF 2	1,765	M1	20.94	170	460D,60hz	Yes	11, 25, 82
	1800	132	EMVM13554C-PP	3GBP132260-BPK+047+332+509	M3BP 132SMF 4	1,797	M1	20.94	179	460D,60hz	Yes	11, 25, 82
	1200	132	EMVM13556C-PP	3GBP133280-BPK+047+332+509	M3BP 132SMH 6	2,367	M1	20.94	174	460D,60hz	Yes	11, 25, 82
7.5/10	3600	132	EMVM13752C-PP	3GBP131270-BPK+047+332+509	M3BP 132SMG 2	2,106	M1	20.94	170	460D,60hz	Yes	11, 25, 82
	1800	132	EMVM13754C-PP	3GBP132270-BPK+047+332+509	M3BP 132SMG 4	2,221	M1	20.94	179	460D,60hz	Yes	11, 25, 82

(a) See notes on inside back flap. ■ Cast Iron Frame

Motors are stamped with kW only. Motors shown as "60 Hz Use in US" are compliant with U.S. DOE. Please note motors are wound for 460V/60 Hz only.

Variant codes: 332 = Baldor Catalog number stamped on rating plate 509 = Fulfilling EISA Subtype I efficiency requirements, CC031A

Metric IEC Flange Kit for Process Performance Aluminum and Cast Iron Motors (safe area)



Frame Size	Type	Poles	Series	B5 M Dimension	B5 Flange Catalog Number	B14 M Dimension	B14 Flange Catalog Number
63	M3AA	2,4,6	E	115	3GVC061004-E	75	3GVC061004-F
71	M3AA	2,4,6	E	130	3GZE223070-1	85	3GZE223071-1 *
	M3BP	2,4,6	B	130	3GZE223074-1	85	3GZE223075-1
80	M3AA	2,4,6	E	165	3GZE223080-1	100	3GZE223081-1 **
	M3BP	2,4,6	B	165	3GZE223084-1	100	3GZE223085-1
90	M3AA	2,4,6	E	165	3GZE223090-1	115	3GZE223091-1
	M3BP	2,4,6	B,K	165	3GZE223094-1	115	3GZE223095-1
100	M3AA	2,4,6	E	215	3GZE223100-2	130	3GZE223101-2
	M3BP	2,4,6	B	215	3GZE223105-1	130	3GZE223106-1
112	M3AA	2,4,6	E	215	3GZE223100-2	130	3GZE223101-2
	M3BP	2,4,6	B,K	215	3GZE223105-1	130	3GZE223106-1
132	M3AA	2,4,6	E	265	3GZE425205-1	165	AE42536413-1
	M3BP	2,4,6	B,K	265	3GZE223133-1	165	3GZE223134-1
160	M3AA	2,4,6	G,K	300	3GVZ223039-28	215	3GVZ223031-1
	M3BP	2,4,6	G,K	300	3GZF223716-63	N/A	N/A
180	M3AA	2,4,6	G,K	300	3GVZ223039-24	N/A	N/A
	M3BP	2,4,6	G,K	300	3GZF223018-40	N/A	N/A
200	M3AA	2,4,6	G,K	350	3GVZ223008-31	N/A	N/A
	M3BP	2,4,6	G,K	350	3GZF223020-50	N/A	N/A
225	M3AA	2,4,6	G,K	400	3GVZ223008-46	N/A	N/A
	M3BP	2,4,6	G,K	400	3GZF223022-35	N/A	N/A
250	M3BP	2,4,6	G,K	500	3GZF223025-29	N/A	N/A
	M3BP	2	G	500	3GZF223028-8	N/A	N/A
280	M3BP	4,6	G	500	3GZF203728-56	N/A	N/A
	M3BP	2	K	500	3GZF223028-8	N/A	N/A
	M3BP	4,6	K	500	3GZF223028-1	N/A	N/A

* Bearing retainer, 3GVC071046-B is required when adding flange to B3 motor. ** Bearing retainer, 3GVC081046-A is required when adding flange to B3 motor.
 Red Catalog Number indicates **NEW** Product.
 Please contact your Baldor representative for price and delivery.

Metric IEC Frame Motors, Three Phase, 50/60 Hz, B5 Flange .12 thru 90 kW (.16-125 Hp) **IP55**



Features:

- Aluminum & cast iron frame (severe duty)
- MM catalog motors are IE2 efficiency
- EMM catalog motors are IE3 efficiency
- Inverter ready frame 63 - 250 2:1 CT, 10:1 VT
- 6 post terminal block
- Class F insulation with Class B temperature limits
- 3 PTC thermistors standard in 160-250 aluminum frame and 71-280 cast iron frame

Applications:

- Pumps
- Compressors
- Fans
- Conveyors
- General purpose requiring IEC metric mounting

kW/HP	RPM	IEC Frame	Catalog Number	ABB Product Code	ABB Type Number	List Price	Mult. Sym.	"L" Dim. (in)	Aprx. Wt. (lb)	Voltage	For Use In US	Notes (a)
.12/.16	1500/1800	63	MVM06124D-AP	3GAA062311-BSC+002+332	M3AA 63A 4	357	M	8.43	9	230D/400Y,50hz, 460Y,60hz	Yes	11, 25
	3000/3600	63	MVM06182D-AP	3GAA061311-BSC+002+332	M3AA 63A 2	350	M	8.43	9	230D/400Y,50hz, 460Y,60hz	Yes	11, 25
.18/.25	1500/1800	63	MVM06184D-AP	3GAA062312-BSC+002+332	M3AA 63B 4	359	M	8.43	10	230D/400Y,50hz, 460Y,60hz	Yes	11, 25
	3000/3600	63	MVM06252D-AP	3GAA061312-BSC+002+332	M3AA 63B 2	355	M	8.43	10	230D/400Y,50hz, 460Y,60hz	Yes	11, 25
.25/.33	1500/1800	71	MVM07254D-AP	3GAA072311-BSE+332	M3AA 71A 4	307	M	9.45	11	230D/400Y,50hz, 460Y,60hz	Yes	11, 25

(a) See notes on inside back flap.



Metric IEC Frame Motors, Three Phase, 50/60 Hz, B5 Flange

Table with columns: kW/Hp, RPM, IEC Frame, Catalog Number, ABB Product Code, ABB Type Number, List Price, Mult. Sym., "L" Dim. (in), Aprx. Wt. (lb), Voltage, For Use In US, Notes (a). Rows are categorized by motor type: Unit Handling Motors, Brake Motors, IEC Frame Motors, 50 Hertz Motors, Inverter/Vector Motors & Controls, DC Motors and Controls.

(a) See notes on inside back flap. ■ Cast Iron Frame

Red Catalog Number indicates NEW Product.

Motors are stamped with kW only.

Motors listed above are not suitable for use at 690V on VFD.

Variant codes: 002 = Non-standard rating plate

011 = Fulfilling CSA Energy Efficiency Verification IE3 includes CSA

242 = Fulfilling CSA Energy Efficiency Verification IE2 includes CSA

332 = Baldor Catalog number stamped on rating plate

333 = Not for use in the USA

408 = Fulfilling EISA Subtype II efficiency requirements, CC031A.

533 = Wooden sea freight packing

Definite Purpose Motors

Unit Handling Motors

Brake Motors

IEC Frame Motors

50 Hertz Motors

Inverter/Vector Motors & Controls

DC Motors and Controls

Gearmotors and Gear Products

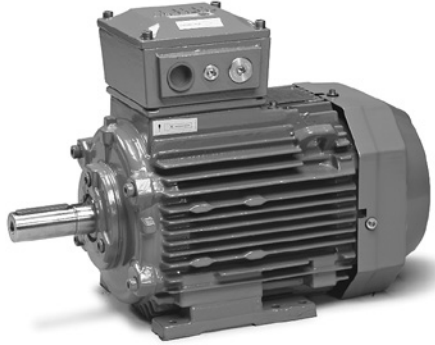
Motor Accessories

Grinders

Metric IEC ATEX/IECEX Flameproof Ex d IIC T4, Three Phase, 50 Hz, Foot Mounted

.55 thru 45 kW (.75-60 Hp)

IP55



Features:

- Exd IIC T4 for Zone 1
- Cast iron frame & endplates
- IE2 efficiency per IEC 60034-30
- 6 post terminal block
- Class F insulation with Class B temperature limits
- Certified for both ATEX & IECEx as standard

Applications:

- Hazardous gas locations

kW/HP	RPM	IEC Frame	Catalog Number	ABB Product Code	ABB Type Number	List Price	Mult. Sym.	"L" Dim. (in)	Aprx. Wt. (lb)	Voltage	For Use in US	Notes (a)
.55/.75	1500	80	MM08554-EX2	3GJP082310-ASH+332+461	M3JP 80MA 4	1,263	M	13.39	84	230D/400Y/415Y,50hz	No	11, 25
.75/1	1500	80	MM08754-EX2	3GJP082320-ASH+332+461	M3JP 80MB 4	1,314	M	13.39	84	230D/400Y/415Y,50hz	No	11, 25
1.1/1.5	1500	90	MM09114-EX2	3GJP092010-ASH+332+461	M3JP 90SLA 4	1,474	M1	15.94	112	230D/400Y/415Y,50hz	No	11, 25
1.5/2	1500	90	MM09154-EX2	3GJP092030-ASH+332+461	M3JP 90SLC 4	1,604	M1	15.94	117	230D/400Y/415Y,50hz	No	11, 25
2.2/3	1500	100	MM10224-EX2	3GJP102510-ASH+332+461	M3JP 100LA 4	1,883	M1	20.47	154	230D/400Y/415Y,50hz	No	11, 25
3/4	1500	100	MM10034-EX2	3GJP102520-ASH+332+461	M3JP 100LB 4	2,110	M1	20.47	159	230D/400Y/415Y,50hz	No	11, 25
4/5.3	1500	112	MM11044-EX2	3GJP112330-ASH+332+461	M3JP 112MC 4	2,253	M1	20.47	179	230D/400Y/415Y,50hz	No	11, 25
5.5/7.5	1500	132	MM13554-EX2	3GJP132220-ADH+332+461	M3JP 132SMB 4	2,972	M1	22.83	245	400D/415D/690Y,50hz	No	11, 25
7.5/10	1500	132	MM13754-EX2	3GJP132240-ADH+332+461	M3JP 132SMD 4	3,432	M1	22.83	251	400D/415D/690Y,50hz	No	11, 25
11/15	1500	160	MM16114-EX2	3GJP162430-ADH+332+461	M3JP 160MLC 4	4,167	M1	27.99	511	400D/415D/690Y,50hz	No	11, 25
15/20	1500	160	MM16154-EX2	3GJP162450-ADH+332+461	M3JP 160MLE 4	5,038	M1	27.99	562	400D/415D/690Y,50hz	No	11, 25
18.5/25	1500	180	MM18184-EX2	3GJP182410-ADH+332+461	M3JP 180MLA 4	6,585	M1	27.80	611	400D/415D/690Y,50hz	No	11, 25
22/30	1500	180	MM18224-EX2	3GJP182420-ADH+332+461	M3JP 180MLB 4	7,190	M1	27.80	628	400D/415D/690Y,50hz	No	11, 25
30/40	1500	200	MM20304-EX2	3GJP202420-ADG+332+461	M3JP 200MLB 4	9,172	M1	30.47	750	400D/415D/690Y,50hz	No	11, 25
37/50	1500	225	MM22374-EX2	3GJP222220-ADG+332+461	M3JP 225SMB 4	11,345	M1	34.29	860	400D/415D/690Y,50hz	No	11, 25
45/60	1500	225	MM22454-EX2	3GJP222230-ADG+332+461	M3JP 225SMC 4	12,676	M1	34.29	937	400D/415D/690Y,50hz	No	11, 25

(a) See notes on inside back flap.

■ Cast Iron Frame

Motors are stamped with kW only.

The above motors are suitable for VFD operation on 230, 400 and 415 volts with the addition of appropriate modification(s).

For sizing or further details, please contact your Baldor Sales Representative.

Motors in stock may be rated Exd IIC T4 or with new EPL standard Exd IIC T4 Gb. Exde IIC T4 stamped motors cannot be renameplated with new EPL standard.

If new EPL rating is required, please contact your Baldor sales representative.

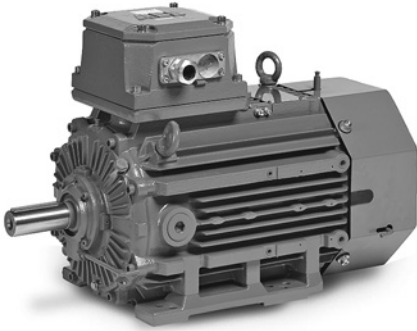
Variant codes: 332 = Baldor Catalog number stamped on rating plate

461 = Exd design, Group II C

Metric IEC ATEX/IECEX Flameproof Ex de IIC T4, Three Phase, 50 Hz, Foot Mounted

.55 thru 45 kW (.75-60 Hp)

IP55



Features:

- Exde IIC T4 for Zone 1
- Cast iron frame & endplates
- IE2 efficiency per IEC 60034-30
- 6 post terminal block
- Class F insulation with Class B temperature limits
- Certified for both ATEX & IECEx as standard

Applications:

- Hazardous gas locations

KW/HP	RPM	IEC Frame	Catalog Number	ABB Product Code	ABB Type Number	List Price	Mult. Sym.	"L" Dim. (in)	Aprx. Wt. (lb)	Voltage	For Use in US	Notes (a)
.55/.75	1500	80	MM08554-EX3	3GKP082310-ASH+332+461	M3KP 80MA 4	1,162	M	13.39	84	230D/400Y/415Y,50hz	No	11, 25
.75/1	1500	80	MM08754-EX3	3GKP082320-ASH+332+461	M3KP 80MB 4	1,205	M	13.39	84	230D/400Y/415Y,50hz	No	11, 25
1.1/1.5	1500	90	MM09114-EX3	3GKP092010-ASH+332+461	M3KP 90SLA 4	1,355	M1	15.94	112	230D/400Y/415Y,50hz	No	11, 25
1.5/2	1500	90	MM09154-EX3	3GKP092030-ASH+332+461	M3KP 90SLC 4	1,471	M1	15.94	117	230D/400Y/415Y,50hz	No	11, 25
2.2/3	1500	100	MM10224-EX3	3GKP102510-ASH+332+461	M3KP 100LA 4	1,730	M1	18.90	154	230D/400Y/415Y,50hz	No	11, 25
3/4	1500	100	MM10034-EX3	3GKP102520-ASH+332+461	M3KP 100LB 4	1,938	M1	18.90	159	230D/400Y/415Y,50hz	No	11, 25
4/5.3	1500	112	MM11044-EX3	3GKP112330-ASH+332+461	M3KP 112MC 4	2,253	M1	18.90	179	230D/400Y/415Y,50hz	No	11, 25
5.5/7.5	1500	132	MM13554-EX3	3GKP132220-ADH+332+461	M3KP 132SMB 4	2,739	M1	22.05	245	400D/415D/690Y,50hz	No	11, 25
7.5/10	1500	132	MM13754-EX3	3GKP132240-ADH+332+461	M3KP 132SMD 4	3,165	M1	22.05	251	400D/415D/690Y,50hz	No	11, 25
11/15	1500	160	MM16114-EX3	3GKP162430-ADH+332+461	M3KP 160MLC 4	3,828	M1	27.99	511	400D/415D/690Y,50hz	No	11, 25
15/20	1500	160	MM16154-EX3	3GKP162450-ADH+332+461	M3KP 160MLE 4	4,627	M1	27.99	562	400D/415D/690Y,50hz	No	11, 25
18.5/25	1500	180	MM18184-EX3	3GKP182410-ADH+332+461	M3KP 180MLA 4	6,077	M1	27.80	611	400D/415D/690Y,50hz	No	11, 25
22/30	1500	180	MM18224-EX3	3GKP182420-ADH+332+461	M3KP 180MLB 4	6,609	M1	27.80	628	400D/415D/690Y,50hz	No	11, 25
30/40	1500	200	MM20304-EX3	3GKP202420-ADG+332+461	M3KP 200MLB 4	8,446	M1	30.47	750	400D/415D/690Y,50hz	No	11, 25
37/50	1500	225	MM22374-EX3	3GKP222220-ADG+332+461	M3KP 225SMB 4	10,474	M1	34.29	816	400D/415D/690Y,50hz	No	11, 25
45/60	1500	225	MM22454-EX3	3GKP222230-ADG+332+461	M3KP 225SMC 4	11,684	M1	34.29	893	400D/415D/690Y,50hz	No	11, 25

(a) See notes on inside back flap.

■ Cast Iron Frame

Motors are stamped with kW only.

The above motors are suitable for VFD operation on 230, 400 and 415 volts with the addition of appropriate modification(s).

For sizing or further details, please contact your Baldor Sales Representative.

Motors in stock may be rated Exde IIC T4 or with new EPL standard Exde IIC T4 Gb. Exde IIC T4 stamped motors cannot be renameplated with new EPL standard.

If new EPL rating is required, please contact your Baldor sales representative.

Variant codes: 332 = Baldor Catalog number stamped on rating plate

461 = Exd design, Group II C

Definite Purpose Motors

Unit Handling Motors

Brake Motors

IEC Frame Motors

50 Hertz Motors

Inverter/Vector Motors & Controls

DC Motors and Controls

Gearmotors and Gear Products

Motor Accessories

Grinders



**Metric IEC ATEX/IECEX Non-Sparking
Ex nA II T3, Three Phase, 50 Hz, Foot Mounted**

.55 thru 90 kW (.75-125 Hp)

IP55



Features:

- Non-Sparking (Ex nA) for zone 2
- Cast Iron frame & endplates
- IE2 efficiency per IEC 600034-30
- 6 post terminal block
- Class F insulation with Class B temperature limits
- Certified for both ATEX and IECEX as standard
- Applications:

Applications:

- Hazardous gas locations

KW/Hp	RPM	IEC Frame	Catalog Number	ABB Product Code	ABB Type Number	List Price	Mult. Sym.	"L" Dim. (in)	Aprx. Wt. (lb)	Voltage	Full Load Amps	For Use in US	Notes (a)
.55/.75	1500	80	MM08554-EX1	3GGP082310-ASH+332	M3GP 80MA 4	1,033	M	13.39	84	230D/400Y/415Y,50hz	1.4	No	11, 25
.75/1	1500	80	MM08754-EX1	3GGP082320-ASH+332	M3GP 80MB 4	1,077	M	13.39	84	230D/400Y/415Y,50hz	1.8	No	11, 25
1.1/1.5	1500	90	MM09114-EX1	3GGP092010-ASH+332	M3GP 90SLA 4	1,200	M1	15.95	112	230D/400Y/415Y,50hz	2.3	No	11, 25
1.5/2	1500	90	MM09154-EX1	3GGP092030-ASH+332	M3GP 90SLC 4	1,316	M1	15.95	117	230D/400Y/415Y,50hz	3.2	No	11, 25
2.2/3	1500	100	MM10224-EX1	3GGP102510-ASH+332	M3GP 100LA 4	1,525	M1	18.90	134	230D/400Y/415Y,50hz	4.3	No	11, 25
3/4	1500	100	MM10034-EX1	3GGP102520-ASH+332	M3GP 100LB 4	1,733	M1	18.90	139	230D/400Y/415Y,50hz	6	No	11, 25
4/5.3	1500	112	MM11044-EX1	3GGP112330-ASH+332	M3GP 112MC 4	1,997	M1	18.90	159	230D/400Y/415Y,50hz	8.7	No	11, 25
5.5/7.5	1500	132	MM13554-EX1	3GGP132220-ADH+332	M3GP 132SMB 4	2,405	M1	22.50	225	400D/415D/690Y,50hz	11.4	No	11, 25
7.5/10	1500	132	MM13754-EX1	3GGP132240-ADH+332	M3GP 132SMD 4	2,831	M1	22.50	244	400D/415D/690Y,50hz	16.1	No	11, 25
11/15	1500	160	MM16114-EX1	3GGP162430-ADH+332	M3GP 160MLC 4	1,980	M1	27.99	498	400D/415D/690Y,50hz	21.2	No	11, 25
15/20	1500	160	MM16154-EX1	3GGP162450-ADH+332	M3GP 160MLE 4	2,493	M1	27.99	549	400D/415D/690Y,50hz	28	No	11, 25
18.5/25	1500	180	MM18184-EX1	3GGP182410-ADH+332	M3GP 180MLA 4	2,880	M1	27.80	597	400D/415D/690Y,50hz	35.1	No	11, 25
22/30	1500	180	MM18224-EX1	3GGP182420-ADH+332	M3GP 180MLB 4	3,388	M1	27.80	615	400D/415D/690Y,50hz	41.7	No	11, 25
30/40	1500	200	MM20304-EX1	3GGP202420-ADG+332	M3GP 200MLB 4	4,404	M1	30.47	672	400D/415D/690Y,50hz	54.4	No	11, 25
37/50	1500	225	MM22374-EX1	3GGP222220-ADG+332	M3GP 225SMB 4	5,276	M1	34.29	783	400D/415D/690Y,50hz	67.1	No	11, 25
45/60	1500	225	MM22454-EX1	3GGP222230-ADG+332	M3GP 225SMC 4	6,389	M1	34.29	860	400D/415D/690Y,50hz	78.4	No	11, 25
55/75	1500	250	MM25554-EX1	3GGP252210-ADG+332	M3GP 250SMA 4	7,696	M1	34.45	915	400D/415D/690Y,50hz	100	No	11, 25
75/100	1500	280	MM28754-EX1	3GGP282210-ADG+332+531	M3GP 280SMA 4	11,253	M1	42.83	1377	400D/415D/690Y,50hz	134	No	11, 25
90/125	1500	280	MM28904-EX1	3GGP282220-ADG+332+531	M3GP 280SMB 4	12,971	M1	42.83	1466	400D/415D/690Y,50hz	159	No	11, 25

(a) See notes on inside back flap.

■ Cast Iron Frame

Motors are stamped with kW only.

The above motors are only suitable for VFD use on 230, 400 and 415 volts in conjunction with an ABB ACS550 or ACS800 DTC (Direct Torque Control), as well as the addition of Variant Code 163. For sizing or further details, please contact your Baldor Sales Representative.

Motors in stock may be rated ExnA II T3 or with new EPL standard ExnA IIC T3 Gc. ExnA II T3 stamped motors cannot be renameplated with new EPL standard.

If new EPL rating is required, please contact your Baldor sales representative.

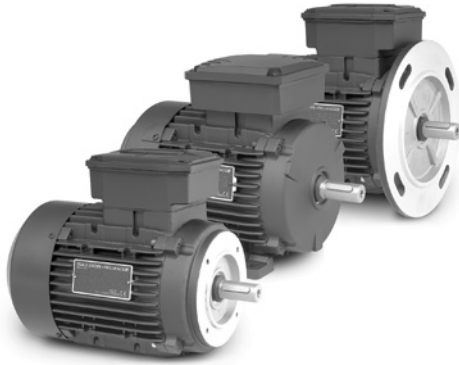
Variant codes: 332 = Baldor Catalog number stamped on rating plate

531 = Sea freight packaging

Metric IEC Frame Motors, Three Phase, 60 Hz, 230/460 Volts

0.18 thru 1.5 kW (.25 thru 2 Hp)

IP55



Features:

- Class F insulation with Class B temperature limits
- 1.15 SF
- Weather proof enclosure
- Aluminum frame
- Recognized to both U.S. and Canadian requirements by U.L.

Applications:

- Replacement motors for equipment made in Europe
- Motors requiring IEC metric mounting

kW/HP	RPM	IEC Frame	Catalog Number	List Price	Mult. Sym.	"L" Dim. (in)	Aprx. Wt. (lb)	Full Load Efficiency	60 Hz Voltage	Full Load Amps	60 Hz Use in US	Notes (a)
B3, Foot Mounted												
.18/.25	3600	D63	MM5100	272	K	8.74	8	65	230/460	0.6	Yes	11, 48
	1800	D63	MM5150	285	K	8.74	9	62	230/460	0.7	Yes	11, 48
.25/.33	3600	D63	MM5200	294	K	8.74	9	69	230/460	0.8	Yes	11, 48
.37/.50	1800	D71	MM5350	338	K	9.60	13	71	230/460	1.3	Yes	11, 48
	3600	D71	MM5400	345	K	9.60	14	74	230/460	1.5	Yes	11, 48
.55/.75	1800	D80	MM5450	378	K	10.71	18	73	230/460	1.7	Yes	11, 48
	3600	D80	MM5500	392	K	10.71	18	77	230/460	2	Yes	11, 16, 48
.75/1	1800	D80	EMM5550	649	K	10.71	21	85.5	230/460	1.5	Yes	11, 48
		D80	MM5550	411	K	10.71	20	73	230/460	2.3	Yes	11, 16, 48
1.1/1.5	3600	D80	EMM5600	645	K	10.71	22	85.4	230/460	2	Yes	11, 48
		D80	MM5600	452	K	10.71	21	80	230/460	2.7	Yes	11, 16, 48
1.5/2	1800	D90S	EMM5650	675	K	11.93	42	86.5	230/460	2.2	Yes	11, 48
	3600	D90S	EMM5700	763	K	11.93	37	85.5	230/460	2.8	Yes	11, 48
1.5/2	1800	D90L	EMM5750	835	K	12.91	42	86.5	230/460	2.9	Yes	11, 48
		D90L	EMM5750	835	K	12.91	42	86.5	230/460	2.9	Yes	11, 48
B5, Flange Mounted												
.18/.25	3600	D63D	MVM5100D	285	K	8.74	9	65	230/460	0.6	Yes	11, 48
	1800	D63D	MVM5150D	308	K	8.74	10	62	230/460	0.7	Yes	11, 48
.25/.33	1800	D71D	MVM5250D	329	K	9.60	14	68	230/460	0.8	Yes	11, 48
		D71D	MVM5300D	345	K	9.60	14	71	230/460	1	Yes	11, 48
.37/.50	3600	D71D	MVM5350D	359	K	9.60	14	71	230/460	1.3	Yes	11, 48
	1800	D71D	MVM5350D	359	K	9.60	14	71	230/460	1.3	Yes	11, 48
.55/.75	3600	D71D	MVM5400D	362	K	9.60	15	74	230/460	1.5	Yes	11, 48
	1800	D80D	MVM5450D	404	K	10.71	19	73	230/460	1.7	Yes	11, 48
.75/1	3600	D80D	EMVM5500D	598	K	10.71	20	85	230/460	1.5	Yes	11, 48
		D80D	MVM5500D	418	K	10.71	19	77	230/460	2	Yes	11, 16, 48
.75/1	1800	D80D	EMVM5550D	682	K	10.71	22	85.5	230/460	1.5	Yes	11, 48
		D80D	MVM5550D	443	K	10.71	21	73	230/460	2.3	Yes	11, 16, 48
1.1/1.5	3600	D80D	EMVM5600D	678	K	10.71	23	85.4	230/460	2	Yes	11, 48
		D80D	MVM5600D	475	K	10.71	22	80	230/460	2.7	Yes	11, 16, 48
1.5/2	1800	D90SD	EMVM5650D	742	K	12.09	44	86.5	230/460	2.2	Yes	11, 48
		D90LD	EMVM5750D	877	K	12.09	44	86.5	230/460	2.9	Yes	11, 48
B14, Face Mounted												
.18/.25	1800	D63C	MVM5150C	304	K	8.74	9	62	230/460	0.7	Yes	11, 48
	3600	D63C	MVM5200C	315	K	8.74	9	69	230/460	0.8	Yes	11, 48
.25/.33	1800	D71C	MVM5250C	324	K	9.60	13	68	230/460	0.8	Yes	11, 48
		D71C	MVM5300C	333	K	9.60	13	71	230/460	1	Yes	11, 48
.37/.50	3600	D71C	MVM5350C	355	K	9.60	13	71	230/460	1.3	Yes	11, 48
		D71C	MVM5350C	355	K	9.60	13	71	230/460	1.3	Yes	11, 48
.55/.75	3600	D71C	MVM5400C	359	K	9.60	14	74	230/460	1.5	Yes	11, 48
		D80C	MVM5450C	397	K	10.71	18	73	230/460	1.7	Yes	11, 48
.75/1	1800	D80C	EMVM5550C	682	K	10.71	21	85.5	230/460	1.5	Yes	11, 48
		D80C	MVM5550C	432	K	10.71	20	73	230/460	2.3	Yes	11, 16, 48
1.1/1.5	3600	D80C	EMVM5600C	678	K	10.71	22	85.4	230/460	2	Yes	11, 48
		D80C	MVM5600C	475	K	10.71	21	80	230/460	2.7	Yes	11, 16, 48
1.5/2	3600	D90SC	EMVM5650C	742	K	12.09	42	86.5	230/460	2.2	Yes	11, 48
		D90SC	EMVM5700C	801	K	12.09	37	85.5	230/460	2.8	Yes	11, 48
1.5/2	1800	D90LC	EMVM5750C	877	K	12.09	42	86.5	230/460	2.9	Yes	11, 48
		D90LC	EMVM5750C	877	K	12.09	42	86.5	230/460	2.9	Yes	11, 48

(a) See notes on inside back flap. Red Catalog Number indicates NEW Product.

**Metric IEC Frame Motors, Three Phase,
60 Hz, 575 Volts**

0.18 thru 1.5 kW (.25 thru 2 Hp)

IP55

Definite Purpose
Motors

Unit Handling
Motors

Brake Motors

IEC Frame
Motors

50 Hertz
Motors

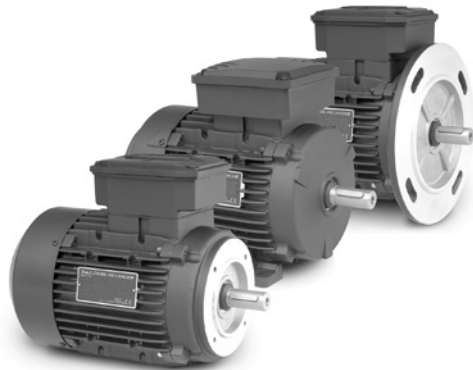
Inverter/Vector
Motors & Controls

DC Motors
and Controls

Gearmotors and
Gear Products

Motor
Accessories

Grinders



Features:

- Class F insulation with Class B temperature limits
- 1.15 SF
- Weather proof enclosure
- Aluminum frame
- Recognized to both U.S. and Canadian requirements by U.L.

Applications:

- Replacement motors for equipment made in Europe
- Motors requiring IEC metric mounting

kW/HP	RPM	IEC Frame	Catalog Number	List Price	Mult. Sym.	"L" Dim. (in)	Aprx. Wt. (lb)	Full Load Efficiency	60 Hz Voltage	Full Load Amps	60 Hz Use in US	Notes (a)
B3, Foot Mounted												
.18/.25	3600	D63	MM5100-5	272	K	8.74	8	65	575	0.4	Yes	11, 48
	1800	D63	MM5150-5	285	K	8.74	9	62	575	0.7	Yes	11, 48
.25/.33	3600	D63	MM5200-5	294	K	8.74	9	69	575	0.6	Yes	11, 48
	1800	D71	MM5250-5	300	K	9.60	13	68	575	0.7	Yes	11, 48
.37/.50	3600	D71	MM5300-5	306	K	9.60	13	71	575	0.7	Yes	11, 48
	1800	D71	MM5350-5	338	K	9.60	13	71	575	1.3	Yes	11, 48
.55/.75	3600	D71	MM5400-5	345	K	9.60	14	74	575	1.1	Yes	11, 48
.75/1	3600	D80	MM5500-5	392	K	10.71	18	77	575	1.5	Yes	11, 16, 48
	1800	D80	MM5550-5	411	K	10.71	20	73	575	1.7	Yes	11, 16, 48
1.1/1.5	3600	D80	MM5600-5	452	K	10.71	21	80	575	2	Yes	11, 16, 48
	1800	D90S	EMM5650-5	675	K	11.93	42	86.5	575	1.8	Yes	11, 48
1.5/2	3600	D90S	EMM5700-5	763	K	11.93	37	85.5	575	2.3	Yes	11, 48
	1800	D90L	EMM5750-5	835	K	12.91	42	86.5	575	2.4	Yes	11, 48
B5, Flange Mounted												
.18/.25	3600	D63D	MVM5100D-5	285	K	8.74	9	65	575	0.4	Yes	11, 48
	1800	D63D	MVM5150D-5	308	K	8.74	10	62	575	0.7	Yes	11, 48
.25/.33	3600	D63D	MVM5200D-5	320	K	8.74	10	69	575	0.6	Yes	11, 48
	1800	D71D	MVM5250D-5	329	K	9.60	14	68	575	0.7	Yes	11, 48
.37/.50	3600	D71D	MVM5300D-5	345	K	9.60	14	71	575	0.7	Yes	11, 48
	1800	D71D	MVM5350D-5	359	K	9.60	14	71	575	1.3	Yes	11, 48
.55/.75	3600	D71D	MVM5400D-5	362	K	9.60	15	74	575	1.1	Yes	11, 48
	1800	D80D	MVM5450D-5	404	K	10.71	19	73	575	1.2	Yes	11, 48
.75/1	3600	D80D	MVM5500D-5	418	K	10.71	19	77	575	1.5	Yes	11, 16, 48
	1800	D80D	MVM5550D-5	443	K	10.71	21	73	575	1.7	Yes	11, 16, 48
1.1/1.5	3600	D80D	MVM5600D-5	475	K	10.71	22	80	575	2	Yes	11, 16, 48
	1800	D90SD	EMVM5650D-5	742	K	11.93	44	86.5	575	1.8	Yes	11, 48
1.5/2	3600	D90SD	EMVM5700D-5	801	K	11.93	39	85.5	575	2.3	Yes	11, 48
	1800	D90LD	EMVM5750D-5	877	K	12.91	44	86.5	575	2.4	Yes	11, 48
B14, Face Mounted												
.18/.25	3600	D63C	MVM5100C-5	281	K	8.74	8	65	575	0.4	Yes	11, 48
	1800	D63C	MVM5150C-5	304	K	8.74	9	62	575	0.7	Yes	11, 48
.25/.33	3600	D63C	MVM5200C-5	315	K	8.74	9	69	575	0.6	Yes	11, 48
	1800	D71C	MVM5250C-5	324	K	9.60	13	68	575	0.7	Yes	11, 48
.37/.50	3600	D71C	MVM5300C-5	333	K	9.60	13	71	575	0.7	Yes	11, 48
	1800	D71C	MVM5350C-5	355	K	9.60	13	71	575	1.3	Yes	11, 48
.55/.75	3600	D71C	MVM5400C-5	359	K	9.60	14	74	575	1.1	Yes	11, 48
	1800	D80C	MVM5450C-5	397	K	10.71	18	73	575	1.2	Yes	11, 48
.75/1	3600	D80C	MVM5500C-5	412	K	10.71	18	77	575	1.5	Yes	11, 16, 48
	1800	D80C	MVM5550C-5	432	K	10.71	20	73	575	1.7	Yes	11, 16, 48
1.1/1.5	3600	D80C	MVM5600C-5	544	K	10.71	21	80	575	2	Yes	11, 16, 48
	1800	D90SC	EMVM5650C-5	742	K	11.93	42	86.5	575	1.8	Yes	11, 48
1.5/2	3600	D90SC	EMVM5700C-5	801	K	11.93	37	85.5	575	2.3	Yes	11, 48
	1800	D90LC	EMVM5750C-5	877	K	12.91	42	86.5	575	2.4	Yes	11, 48

(a) See notes on inside back flap.

Metric IEC Frame Motors, 60 Hz – Replacement Parts List

Catalog Number	Description	List Price	Multiplier Symbol
Metric IEC D63			
LFL63B5	IEC D63D, B5, D-Flange, (FL63B5)	130	P1
LFL63B14	IEC D63C, B14, C-Face, (FL63B14)	130	P1
LFC00015	IEC D63, Fan Cover, (XCR00015)	65	P1
LFN00021	IEC D63, Plastic Fan, (XVN00021)	51	P1
LCB63X71	IEC D63-D71, Terminal Box, (XCA00063)	132	P1
Metric IEC D71			
LFL71B5	IEC D71D, B5, D-Flange, (FL71B5)	141	P1
LFL71B14	IEC D71C, B14, C-Face, (FL71B14)	141	P1
LFC00021	IEC D71, Fan Cover, (XCR00021)	65	P1
LFN00031	IEC D71, Plastic Fan, (XVN00031)	51	P1
LCB63X71	IEC D63-D71, Terminal Box, (XCA00063)	132	P1
LBA71	IEC D71, Horz Base (XHDP71)	55	P1
Metric IEC D80			
LFL80B5	IEC D80D, B5, D-Flange, (FL80B5)	146	P1
LFL80B14	IEC D80C, B14, C-Face, (FL80B14)	146	P1
LFC00035	IEC D80, Fan Cover, (XCR00035)	74	P1
LFN00041	IEC D80, Plastic Fan, (XVN00041)	74	P1
LCB80X112	IEC D80-D112, Terminal Box, (XCA00090)	132	P1
LBA80	IEC D80, Horz Base (XHDP80)	88	P1
Metric IEC D90			
LFL90B5	IEC D90D, B5, D-Flange, (FL90B5)	164	P1
LFL90B14	IEC D90C, B14, C-Face, (FL90B14)	164	P1
LFC00041	IEC D90, Fan Cover, (XCR00041)	80	P1
LFN00051	IEC D90, Plastic Fan, (XVN00051)	84	P1
LCB80X112	IEC D80-D112, Terminal Box, (XCA00090)	132	P1
LBA90	IEC D90, Horz Base (XHDP90)	155	P1

Replacement parts for motors in this section only. Not for use on ABB motors

Definite Purpose
MotorsUnit Handling
Motors

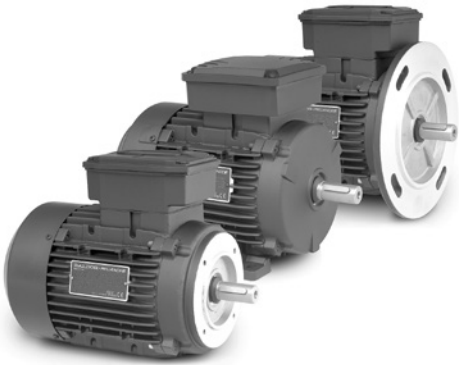
Brake Motors

IEC Frame
Motors50 Hertz
MotorsInverter/Vector
Motors & ControlsDC Motors
and ControlsGearmotors and
Gear ProductsMotor
Accessories

Grinders

Metric IEC Frame Motors, Three Phase, 60 Hz

0.18 thru 1.5 kW (.25 thru 2 Hp)



Features:

- Class F insulation with Class B temperature limits
- 1.15 SF
- Weather proof enclosure
- Aluminum frame
- CSA and CSAus certification #1282269 (LR112981)

Applications:

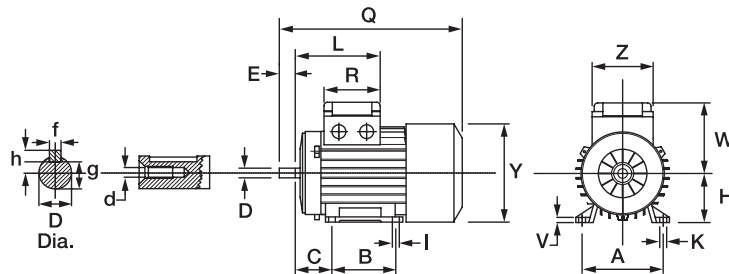
- Replacement motors for equipment made in Europe
- Motors requiring IEC metric mounting

Dimensions

IEC Frame	Ø D	E	f	g	h	L	Q	R	V	Y	Z	d
63	11	23	4	8.5	4	112	222	92	8	123	90	M4
71	14	30	5	11	5	115	244	92	8	139	90	M5
80	19	40	6	15.5	6	137	286	116	9.5	157	111	M6
90 S	24	50	8	20	7	143	317	116	11	177	111	M8
90 L	24	50	8	20	7	143	317	116	11	177	111	M8

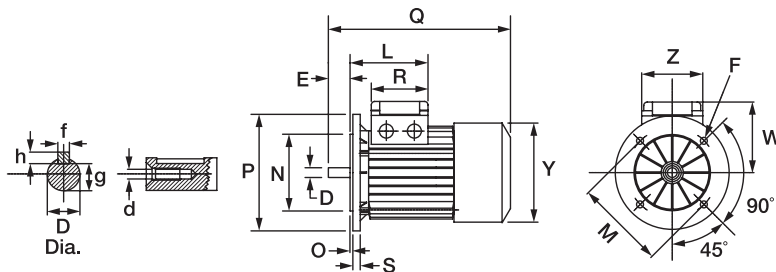
Drawings for motors in this section only. Not for use on ABB motors

B3 - Foot Mount



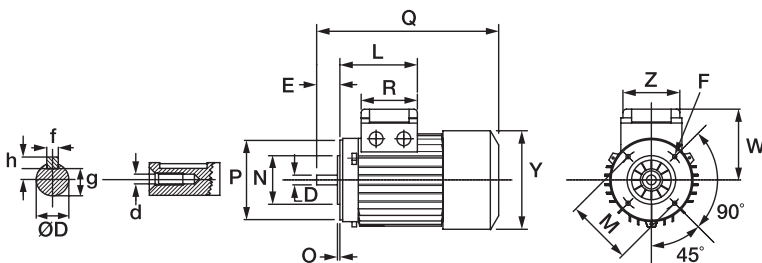
IEC Frame	A	B	C	H	I	K	W
63	100	80	40	63	8	10.5	96.5
71	112	90	45	71	7	10.5	111
80	125	100	50	80	9	14	129
90 S	140	100	56	90	10	14	138
90 L	140	125	56	90	10	14	138

B5 - Flange Mount



IEC Frame	F	Ø M	Ø N	O	Ø P	S
63	9.5	115	95	3	140	10
71	9.5	130	110	3.5	160	12
80	11.5	165	130	3.5	200	12
90 S	11.5	165	130	3.5	200	12
90 L	11.5	165	130	3.5	200	12

B14 - Face Mount



IEC Frame	F	Ø M	Ø N	O	Ø P
63	M5	75	60	2.5	90
71	M6	85	70	2.5	105
80	M6	100	80	3	120
90 S	M8	115	95	3	140
90 L	M8	115	95	3	140

Metric IEC, Three Phase, 60 Hz, TEFC, Foot Mounted

1.1 thru 15 kW (1.5 thru 20 Hp)

IP54



Features:

- IEC-B3 mount
- Conforms to IEC 60072-1 & IEC 60034-1
- Ball bearings with locked DE bearing
- Heavy gauge steel frames
- Gasketed conduit box

Applications:

- Pumps
- Fans
- Conveyors
- Machine tools
- Gear reducers

kW/HP	RPM	IEC Frame	Catalog Number	List Price	Mult. Sym.	"L" Dim. (in)	Aprx. Wt. (lb)	Full Load Efficiency	60 Hz Voltage	Full Load Amps	60 Hz Use in US	Notes (a)
1.1/1.5	1800	D90S	EMM3554	767	L1	13.00	44	86.5	230/460	2.2	Yes	30
	3600	D90S	EMM3555	733	L1	13.87	51	86.5	230/460	2.5	Yes	30
1.5/2	1800	D90L	EMM3558	783	K	13.87	45	86.5	230/460	2.9	Yes	30
	3600	D90L	EMM3559	881	L1	15.26	51	87.5	230/460	3.5	Yes	30
2.2/3	1800	D100L	EMM3611	879	L1	15.76	71	89.5	230/460	4.2	Yes	30
	3600	D100L	EMM3613	893	L1	15.76	78	88.5	230/460	5.6	Yes	30
3.7/5	1800	D112M	EMM3615	954	L1	17.66	90	89.5	230/460	6.7	Yes	30
	3600	D132S	EMM3709	1,347	L1	17.66	118	89.5	230/460	9	Yes	30
5.5/7.5	1800	D132S	EMM3710	1,365	L1	18.79	130	91.7	230/460	9.4	Yes	30
	3600	D132S	EMM3711	1,412	L1	17.66	119	90.2	230/460	11.8	Yes	30
7.5/10	1800	D132M	EMM3714	1,544	L1	20.29	165	91.7	230/460	12	Yes	30
	11/15	D160M	EMM2333	2,221	L1	23.51	250	92.4	230/460	18.1	Yes	30
15/20	1800	D160L	EMM2334	2,696	L1	23.63	313	93	230/460	25	Yes	30

(a) See notes on inside back flap.

■ Cast Iron Frame

Metric IEC, Three Phase, 60 Hz, TEFC, B5 Flange

0.25 thru 7.5 kW (.33 thru 10 Hp)

IP54



Features:

- IEC – B5 flange mount
- Conforms to IEC 60072-1 & IEC 60034-1
- Ball bearings with locked DE bearing
- Heavy gauge steel frames
- Gasketed conduit box

Applications:

- Pumps
- Fans
- Conveyors
- Machine tools
- Gear reducers

kW/Hp	RPM	IEC Frame	Catalog Number	List Price	Mult. Sym.	“L” Dim. (in)	Aprx. Wt. (lb)	Full Load Efficiency	60 Hz Voltage	Full Load Amps	60 Hz Use in US	Notes (a)
.25/.33	1800	D71D	MVM3458D	538	K	10.74	20	74	230/460	0.7	Yes	30
.37/.50	1800	D71D	MVM3461D	541	K	10.74	20	71	230/460	1.2	Yes	1, 30
.55/.75	1800	D80D	MVM3542D	571	K	10.73	27	75.5	208-230/460	1.5	Yes	
.75/1	3600	D80D	EMVM3545D	767	K	10.73	27	77	230/460	1.6	Yes	1
	1800	D80D	EMVM3546D	791	K	11.61	38	85.5	230/460	1.5	Yes	1, 30
1.1/1.5	3600	D80D	EMVM3550D	802	L1	11.61	38	84	230/460	1.9	Yes	1, 30
	1800	D90SD	EMVM3554D	813	L1	12.99	46	86.5	230/460	2.2	Yes	1, 30
1.5/2	3600	D90LD	EMVM3555D	869	L1	12.99	41	85.5	230/460	2.5	Yes	1, 30
	1800	D90LD	EMVM3558D	846	L1	12.99	48	86.5	230/460	2.9	Yes	1, 30
2.2/3	3600	D90LD	EMVM3559D	942	L1	13.87	57	86.5	230/460	3.6	Yes	1, 30
	1800	D100D	EMVM3611D	1,011	L1	15.55	80	89.5	230/460	4.2	Yes	1, 30
3.7/5	3600	D100LD	EMVM3613D	1,233	L1	13.41	81	88.5	230/460	5.6	Yes	1, 30
	1800	D112MD	EMVM3615D	1,153	L1	14.91	93	89.5	230/460	6.7	Yes	1, 30
5.5/7.5	3600	D132SD	EMVM3709D	1,687	L1	20.47	116	89.5	230/460	8.3	Yes	1, 30
	1800	D132SD	EMVM3710D	1,561	L1	17.33	151	91.7	230/460	9.4	Yes	1, 30
7.5/10	3600	D132SD	EMVM3711D	2,046	L1	16.20	118	90.2	230/460	11.8	Yes	1, 30
	1800	D132MD	EMVM3714D	1,918	L1	18.07	165	91.7	230/460	12	Yes	1, 30

(a) See notes on inside back flap.

Red Catalog Number indicates **NEW** Product.

Definite Purpose Motors

Unit Handling Motors

Brake Motors

IEC Frame Motors

50 Hertz Motors

Inverter/Vector Motors & Controls

DC Motors and Controls

Gearmotors and Gear Products

Motor Accessories

Grinders

Metric IEC, Three Phase, 60 Hz, TEFC, B14 Face

0.25 thru 3.7 kW (.33 thru 5 Hp)

IP54



Features:

- IEC-B14 face mounting
- Ball bearings with locked DE bearing
- Heavy gauge steel frames
- Gasketed conduit box

Applications:

- Pumps
- Fans
- Conveyors
- Machine tools
- Gear reducers

kW/Hp	RPM	IEC Frame	Catalog Number	List Price	Mult. Sym.	"L" Dim. (in)	Aprx. Wt. (lb)	Full Load Efficiency	60 Hz Voltage	Full Load Amps	60 Hz Use in US	Notes (a)
.25/.33	1800	D71C	MVM3458C	472	K	10.74	22	74	230/460	0.7	Yes	30
	3600	D71C	MVM3460C	503	K	10.74	22	72	230/460	0.6	Yes	30
.37/.50	1800	D71C	MVM3461C	531	K	10.74	22	71	208-230/460	1.2	Yes	2
	3600	D71C	MVM3463C	523	K	11.24	26	75.5	230/460	1.4	Yes	30
.55/.75	1800	D80C	MVM3542C	557	K	11.11	26	75.5	208-230/460	1.5	Yes	
	.75/1	1800	D80C	EMVM3546C	776	K	11.38	38	85.5	230/460	1.5	Yes
1.5/2	1800	D90LC	EMVM3558C	827	L1	13.75	50	86.5	230/460	2.9	Yes	1,30
	3600	D90LC	EMVM3559C	924	L1	14.63	58	86.5	230/460	3.6	Yes	1,30
2.2/3	1800	D100C	EMVM3611C	995	L1	15.88	78	89.5	230/460	4.2	Yes	1,30
	3600	D100LC	EMVM3613C	1,218	L1	15.88	81	88.5	230/460	5.6	Yes	1,30
3.7/5	1800	D112MC	EMVM3615C	1,135	L1	17.39	93	89.5	230/460	6.7	Yes	1,30

(a) See notes on inside back flap.
 Red Catalog Number indicates **NEW** Product.

Single Phase, NEMA Frame, TEFC and ODP, Foot Mounted

1/3 thru 5 Hp

Define Purpose Motors

Unit Handling Motors

Brake Motors

IEC Frame Motors

50 Hertz Motors

Inverter/Vector Motors & Controls

DC Motors and Controls

Gearmotors and Gear Products

Motor Accessories

Grinders



Features:

- CE certified
- Low noise design
- Vibration dampening base
- Ingress protected conduit box
- Robust capacitor cover
- Dynamically balanced rotor
- High performance ball bearings

Applications:

- Fans
- Pumps
- Blowers
- Conveyors
- Compressors
- Industrial machines
- Other 50 Hz general purpose applications

Hp	RPM 50 Hz.	NEMA Frame	Catalog Number	List Price	Mult. Sym.	"C" Dim.	Aprx. Wt. (lb)	Full Load Efficiency	Voltage	Full Load Amps	Notes (a)
Totally Enclosed Fan Cooled, IP54											
1/3	1500	56	L3501-50	418	K	11.34	25	59	110/220	3.2	1
	3000	56	L3503-50	409	K	11.35	27	68	110/220	3.3	
1/2	1500	48	L3409-50	476	K	12.22	31	62	110/220	3.6	
		56	L3504-50	476	K	12.84	32	62	110/220	3.6	
3/4	3000	56	L3506-50	456	K	12.23	35	62	110/220	4.6	
	1500	56	L3507-50	565	K	13.25	38	66	110/220	5	
1	3000	56	L3509-50	531	K	13.23	40	68	110/220	6.3	
	1500	56	L3510-50	650	K	14.12	47	68	110/220	6.2	
1 1/2	1500	56	L3513-50	699	K	14.11	48	68	110/220	9	1
		56	L3514-50	734	K	14.13	46	73	110/220	8	
		145T	L3514T-50	734	L1	14.18	51	73	110/220	8	
2	3000	56	L3515-50	909	K	14.11	53	77	110/220	9.7	1
	1500	182T	L3605T-50	1,039	L1	16.56	76	81	110/220	10	
3	1500	184T	L3609T-50	1,223	L1	18.06	95	84.5	110/220	12.5	2
5	1500	213T	L3708T-50	1,462	L1	17.89	119	84	220	22	2
Open Drip Proof, IP22											
1/3	3000	48	L1205-50	309	K	9.13	22	64.9	110/220	2.6	
	1500	48	L1206-50	376	K	9.38	24	62	110/220	2.3	
1/2	1500	48	L1208-50	340	K	9.75	25	68	110/220	3.3	
		56	L1304-50	428	K	11.01	29	62	110/220	3.7	
3/4	3000	56	L1306-50	414	K	11.01	28	64	110/220	5.3	
	1500	56	L1307-50	529	K	12.07	38	66	110/220	5	
1	3000	56	L1309-50	436	K	11.51	34	66	110/220	6	
	1500	56	L1318-50	645	K	12.07	41	68	110/220	6.5	2
1 1/2	1500	56	L1313-50	612	K	12.07	43	68	110/220	9.2	
		56	L1319-50	744	K	12.07	41	68	110/220	11.5	2
2	3000	56	L1317-50	815	K	12.94	47	70	110/220	12	2
	1500	182T	L1405T-50	865	L1	15.00	66	69	110/220	14	2
3	1500	184T	L1408T-50	934	L1	16.50	91	75.5	110/220	16	
5	1500	213T	L1508T-50	1,462	L1	16.32	112	82.5	220	21.6	2

(a) See notes on inside back flap.

IP22 = Open Drip Proof, IP54 = Totally Enclosed Fan Cooled.

ALL MOTORS LISTED ABOVE ARE SPECIFICALLY DESIGNED FOR OPERATION WITH 50 HZ. POWER.

Definite Purpose Motors
 Unit Handling Motors
 Brake Motors
 IEC Frame Motors
 50 Hertz Motors
 Inverter/Vector Motors & Controls
 DC Motors and Controls
 Gearmotors and Gear Products
 Motor Accessories
 Grinders

Three Phase, NEMA Frame, TEFC and ODP, Foot Mounted

1/2 thru 60 Hp



Features:

- CE certified
- Vibration dampening base
- Cast iron or heavy gauge steel design
- Suitable for mounting in any configuration
- Super-E® motors have IE3 efficiency
- Compliant to EU efficiency regulations
- 3 year warranty on Super-E motors

Applications:

- Fans
- Pumps
- Blowers
- Conveyors
- Compressors
- Industrial machines
- Other 50Hz General purpose applications

Hp	RPM 50 Hz.	NEMA Frame	Catalog Number	List Price	Mult. Sym.	"C" Dim.	Aprx. Wt. (lb)	Full Load Efficiency	Voltage	Full Load Amps	Notes (a)
Totally Enclosed Fan Cooled, IP54											
1/2	1500	56	M3538-57	446	K	11.35	26	73	230/400	1	
3/4	3000	56	M3541-57	446	K	11.35	25	75.5	230/400	1.4	
	1500	56	M3542-57	477	K	12.85	32	75.5	230/400	1.8	
1	3000	56	EM3545-57	625	K	12.22	35	82.5	230/400	1.6	12
		56	M3545-57	543	K	11.35	27	78.5	230/400	1.7	21
	1500	143T	EM3546T-57	639	L1	12.31	34	82.5	230/400	1.8	1
		143T	M3546T-57	555	L1	12.31	33	80	230/400	1.8	21
1 1/2	3000	143T	EM3550T-57	725	L1	13.29	43	85.5	230/400	2.3	
		143T	M3550T-57	630	L1	12.29	37	80	230/400	2.4	21
	1500	145T	EM3554T-57	650	L1	13.31	41	84.1	230/400	2.9	1
		145T	M3554T-57	565	L1	13.31	39	81.5	230/400	2.5	21
2	3000	145T	EM3555T-57	796	L1	14.17	50	84.2	230/400	2.9	
		145T	M3555T-57	692	L1	13.29	44	81.5	230/400	3	21
	1500	145T	EM3558T-57	686	L1	13.31	45	85.3	230/400	3.4	1
		145T	M3558T-57	596	L1	14.19	46	82.8	230/400	3.4	21
3	3000	182T	EM3610T-57	1,015	L1	15.16	55	85.9	230/400	4.2	1
		182T	M3610T-57	882	L1	16.52	66	84	230/400	4.2	21
	1500	182T	EM3611T-57	805	L1	16.54	70	86.7	230/400	5.6	1
		182T	M3611T-57	700	L1	16.54	71	85	230/400	4.9	21
5	3000	184T	EM3613T-57	1,167	L1	18.04	93	88.1	230/400	6.4	
		184T	M3613T-57	1,014	L1	16.54	76	86	230/400	6.6	21
	1500	184T	EM3615T-57	930	L1	18.04	101	88.4	230/400	8	1
		184T	M3615T-57	808	L1	18.04	96	87.5	230/400	7.5	21
7 1/2	3000	213T	EM3709T-58	1,717	L1	17.89	121	89.2	400	10.4	1
		213T	M3709T-58	1,493	L1	17.89	113	87.5	400	10.7	21
	1500	213T	EM3710T-58	1,182	L1	19.01	127	89.6	400	10.8	1
		213T	M3710T-58	1,027	L1	19.01	130	87.7	400	11.2	21
10	3600	215T	EM3711T-58	1,619	L1	19.01	140	90	400	13	1
	1500	215T	EM3714T-58	1,632	L1	20.51	165	90	400	14	1
15	1500	254T	EM2333T-58	2,514	L1	23.35	291	91	400	21	1
20	1500	256T	EM2334T-58	3,048	L1	23.35	304	92	400	28	
25	1500	284T	EM4103T-58	3,987	L1	27.76	437	93	400	37	
30	1500	286T	EM4104T-58	4,729	L1	27.76	475	93	400	42	1
40	1500	324T	EM4110T-58	6,184	L1	30.28	650	94	400	52	1
50	1500	326T	EM4115T-58	6,757	L1	30.28	800	94	400	64	1
60	1500	364T	EM4314T-58	9,722	L1	33.44	910	94	400	81	1

(a) See notes on inside back flap.

IP22 = Open Drip Proof, IP54 = Totally Enclosed Fan Cooled.

Red Catalog Number indicates **NEW** Product.

■ Cast Iron Frame

ALL MOTORS LISTED ABOVE ARE SPECIFICALLY DESIGNED FOR OPERATION WITH 50 HZ. POWER. MOTORS SHOWN IN THIS CATALOG ARE SUITABLE FOR USE ON 400 VOLT OR 415 VOLT 50 HZ. POWER SUPPLIES.

Three Phase, NEMA Frame, TEFC and ODP, Foot Mounted

Hp	RPM 50 Hz.	NEMA Frame	Catalog Number	List Price	Mult. Sym.	"C" Dim.	Aprx. Wt. (lb)	Full Load Efficiency	Voltage	Full Load Amps	Notes (a)
Open Drip Proof, IP22											
1/2	1500	56	M3108-57	393	K	10.12	26	73	230/400	1	
3/4	1500	56	M3112-57	437	K	10.12	26	70	230/400	1.9	
1	1500	56	EM3116-57	569	K	11.07	34	82.5	230/400	1.8	1
		56	M3116-57	494	K	11.07	20	80	230/400	1.8	21
		143T	EM3116T-57	572	L1	11.12	34	82.5	230/400	1.8	1
		143T	M3116T-57	497	L1	11.12	20	81	230/400	1.8	21
1 1/2	1500	145T	EM3154T-57	608	L1	12.13	41	84.1	230/400	2.9	1
		145T	M3154T-57	528	L1	12.13	25	81.5	230/400	2.5	21
2	1500	145T	EM3157T-57	625	L1	12.13	45	85.3	230/400	3.4	1
		145T	M3157T-57	543	L1	13.00	32	82.8	230/400	3.4	21
3	1500	182T	EM3211T-57	715	L1	15.00	74	86.7	230/400	4.8	1
		182T	M3211T-57	621	L1	15.00	58	85	230/400	4.9	21
5	1500	184T	EM3218T-57	791	L1	16.50	101	88.4	230/400	8	1
		184T	M3218T-57	687	L1	16.50	92	87.5	230/400	7.5	21
7 1/2	1500	213T	EM3311T-58	1,118	L1	17.45	127	89.6	400	10.8	1
		213T	M3311T-58	972	L1	16.32	105	87.7	400	11.5	21
10	1500	215T	EM3313T-58	1,823	L1	18.95	165	90	400	14	1
15	1500	254T	EM2513T-58	2,581	L1	21.69	230	91	400	22	1
20	1500	256T	EM2515T-58	2,831	L1	23.19	275	92	400	28	1

(a) See notes on inside back flap.

IP22 = Open Drip Proof, IP54 = Totally Enclosed Fan Cooled.

Red Catalog Number indicates NEW Product.

ALL MOTORS LISTED ABOVE ARE SPECIFICALLY DESIGNED FOR OPERATION WITH 50 HZ. POWER.

MOTORS SHOWN IN THIS CATALOG ARE SUITABLE FOR USE ON 400 VOLT OR 415 VOLT 50 HZ. POWER SUPPLIES.

Definite Purpose
Motors

Unit Handling
Motors

Brake Motors

IEC Frame
Motors

50 Hertz
Motors

Inverter/Vector
Motors & Controls

DC Motors
and Controls

Gearmotors and
Gear Products

Motor
Accessories

Grinders

Single and Three Phase, NEMA Frame, TEFC, C-Face, Footless

1/4 thru 2 Hp



Features:

- CE certified
- Locked DE bearing
- Dynamically balanced rotor
- High performance ball bearings
- Super-E® motors have IE3 efficiency
- Compliant to EU efficiency regulations
- 3 year warranty on Super-E motors

Applications:

- Fans
- Pumps
- Blowers
- Conveyors
- Compressors
- Industrial machines
- Other 50 Hz general purpose applications

Hp	RPM 50 Hz.	NEMA Frame	Catalog Number	List Price	Mult. Sym.	"C" Dim.	Aprx. Wt. (lb)	Full Load Efficiency	Voltage	Full Load Amps	Notes (a)
Single Phase, IP54											
1/3	1500	56C	VL3501-50	459	K	11.35	17	59	110/220	3.2	1
1/2	3000	56C	VL3503-50	416	K	11.35	25	68	110/220	3.3	
	1500	56C	VL3504-50	532	K	12.85	31	62	110/220	3.6	
3/4	3000	56C	VL3506-50	480	K	12.25	35	62	110/220	4.6	
	1500	56C	VL3507-50	630	K	13.25	39	66	110/220	5	
1	3000	56C	VL3509-50	564	K	13.25	40	68	110/220	6.3	
	1500	56C	VL3510-50	721	K	14.12	47	68	110/220	6.2	
1 1/2	3000	56C	VL3513-50	726	K	14.12	48	68	110/220	9	1
	1500	56C	VL3514-50	815	K	14.12	51	73	110/220	8	
2	3000	56C	VL3515-50	921	K	14.12	52	77	110/220	9.7	1
Three Phase, IP54											
1/4	1500	56C	KM3454-57	361	K	11.35	20	64	230/400	0.7	
1/3	1500	56C	VM3534-57	408	K	11.35	21	68	230/400	1	
1/2	3000	56C	VM3537-57	443	K	11.35	22	72	230/400	1.1	
	1500	56C	VM3538-57	477	K	11.35	25	73	230/400	1	
3/4	3000	56C	VM3541-57	462	K	11.35	26	75.5	230/400	1.4	
	1500	56C	VM3542-57	512	K	12.85	32	75.5	230/400	1.8	
1	3000	56C	VEM3545-57	631	K	12.23	35	82.5	230/400	1.6	12
		56C	VM3545-57	548	K	11.35	26	78.5	230/400	1.7	21
	1500	56C	VEM3546-57	625	K	12.23	34	82.5	230/400	1.8	1
		56C	VM3546-57	543	K	12.23	35	80	230/400	1.8	21
		143TC	VEM3546T-57	625	L1	12.29	34	82.5	230/400	1.8	1
		143TC	VM3546T-57	543	L1	12.29	34	80	230/400	1.8	21
1 1/2	3000	143TC	VEM3550T-57	686	L1	13.29	43	85.5	230/400	2.3	
		143TC	VM3550T-57	596	L1	12.29	36	80	230/400	2.4	21
1500	145TC	VEM3554T-57	649	L1	13.29	41	84.1	230/400	2.9	1	
		VM3554T-57	564	L1	13.29	38	81.5	230/400	2.5	21	
2	3000	56C	VEM3555-57	681	K	14.10	50	84.2	230/400	2.9	
		56C	VM3555-57	592	K	13.23	44	81.5	230/400	3	21
		143TC	VEM3555T-57	749	L1	14.17	50	84.2	230/400	2.9	
	1500	145TC	VEM3555T-57	651	L1	13.29	43	81.5	230/400	3	21
			VEM3558T-57	688	L1	13.29	45	85.3	230/400	3.4	1
			VM3558T-57	598	L1	14.17	46	82.8	230/400	3.4	21

(a) See notes on inside back flap.

IP22 = Open Drip Proof, IP54 = Totally Enclosed Fan Cooled.

Red Catalog Number indicates NEW Product.

ALL MOTORS LISTED ABOVE ARE SPECIFICALLY DESIGNED FOR OPERATION WITH 50 HZ. POWER.

MOTORS SHOWN IN THIS CATALOG ARE SUITABLE FOR USE ON 400 VOLT OR 415 VOLT 50 HZ. POWER SUPPLIES.

Definite Purpose Motors

Unit Handling Motors

Brake Motors

IEC Frame Motors

50 Hertz Motors

Inverter/Vector Motors & Controls

DC Motors and Controls

Gearmotors and Gear Products

Motor Accessories

Grinders

Baldor•Reliance Variable Speed motors are specifically designed for variable speed control. The platform provides constant torque across the entire operating speed range in traditional NEMA and IEC designs or a power dense laminated steel square frame. Controlling a motor with variable frequency power has never been easier when using a Baldor•Reliance variable speed motor.



Designed specifically for adjustable frequency power operation and full compliance with MG-1 Part 31.

1/3 - 1000 Horsepower

Product Line - DPG-FV, TEBC, TEFC, TENV enclosures	RPM AC	RPM XE	RPM AC PM	V*S Master	Inverter Duty
Frame sizes	FL/RL180 -FL/RL440	FL180 - FL280	FL180 - FL280	56C - 449T	56C - 326T
Electrical Features					
Designed for adjustable frequency power and complies with MG1 - part 31 for corona free operation	S	S	S	S	S
Constant torque performance down to zero speed 1000:1	S	S	S	S	S
Provisions for encoder mounting	S	-	S	S	S
Vector Duty - stocked with encoder mounted	S	-	S	S	S
Class H insulation	S	S	S	-	S
Class F insulation	-	-	-	S	-
PM synchronous rotor technology for improved efficiency and increased power density	-	S	S	-	-
Low rotor inertia for high dynamic performance	S	(1)	S	-	-
Suitable for across the line operation	-	S	-	-	S
Winding thermal protection with quantity 3 N/C thermostats, one per phase	S	-	S	S	S
F rise or better for longer motor life	-	S	S	S	S
PM sensorless control	-	S	-	-	-
Mechanical Features					
Laminated steel frame	RL/FL 180 - 440	S	S	S	-
Cast iron frame	180 - 440	-	-	-	S
Power dense designs - fits where other motors can't	S	S	S	-	-
Standard NEMA mounting for ease interchangeability	-	-	-	S	S
DPG-FV enclosure	S	-	S	-	-
TEBC enclosure	S	-	S	-	S
TEFC enclosure	S	S	S	S	-
TENV enclosure	S	-	S	S	S
Includes in-line blower	S	-	-	-	S

S = Standard
 (1) Provided with power drive ratings

AC Motor Adjustable Speed Range Capabilities

Inverter Drive, Vector Drive, V*S Master and RPMAC Motors

Inverter Drive, Vector Drive, V*S Master and RPMAC Motors exceed all requirements of NEMA MG-1 Parts 30 and 31 for AC induction motors powered from adjustable speed inverter control. Satisfactory motor performance depends on proper drive setup.

Super-E® Motors

Super-E motors are Inverter-Ready and meet NEMA MG 1 Part 31.4.4.2. Super-E motors are suitable for use with inverter drives. Motor inverter setup is unique to each specific application. Proper setup and wiring procedures must be closely followed.

Application Considerations

It is necessary that motor-drive applications are commissioned by persons familiar with the operation and setup of adjustable speed drives, applicable electrical codes and any other regulations.

Each drive must be tuned to the motor for the specific application. System operating parameters must be checked, including voltage at motor power leads, to insure that motor/drive setup has been successfully completed.

Applications that are not properly setup can lead to substandard performance and failure of system components. In some installations, shaft grounding and isolated bearings may prevent bearing fluting and are available as an option or through Mod Express.

Reference the chart below for constant torque and variable torque capabilities for each product family. Torque performance depends upon proper drive setup.

Motors 48 body style and smaller are suitable for maximum 230V inverter operation.

Efficiency Savings

Significant energy savings can be achieved when applying Inverter Ready motors such as the Baldor Super-E to centrifugal load applications (fan and centrifugal pump) and running at reduced speed taking advantage of the affinity laws where motor load and corresponding energy consumption is reduced by the cube of the speed.

Family	Enclosure	Frame Size	Constant Torque	Variable Torque	Comments
Super-E® Motors 230, 460 and 575 Volts (2)					
EM	TEFC	56-210 (1)	20:1	20:1	General Purpose Premium Efficient
		250-320	10:1	20:1	
		360-400	4:1	20:1	
		444-449	2:1	20:1	
EM	ODP	56-210 (1)	10:1	20:1	General Purpose Premium Efficient
		250-320	5:1	20:1	
		360 - 449	2:1	20:1	
ECP/XEX and ECP8/841XL	TEFC	Please refer to the Severe Duty section			Severe Duty Premium Efficient
EWDM	TENV,TEFC	56-256 (1)	20:1	20:1	Washdown Duty Premium Efficient
ESS/SSE	TEFC	56-250	2:1	10:1	Stainless Steel Washdown Duty
	TENV	56-140	4:1	10:1	
Standard-E Motors 230/460 and 575V (2) (3)					
M (TEFC)		56-326T frames (1)	4:1	20:1	General Purpose motors
		360T - 449T	2:1	20:1	
M (ODP)		56-326T frames (1)	4:1	20:1	
		360T - 449T	2:1	20:1	
CP/XT		145T frames	4:1	20:1	Severe Duty
		180T-445T frames	2:1	20:1	
		447T-449T frames	2:1	20:1	
WDM		56-215T frames (1)	4:1	20:1	Washdown Duty
Inverter Duty and Vector Duty Motors 230, 460 and 575 Volts					
IDCSWDM	TENV	56-140	5:1	10:1	Inverter Duty, Paint Free
IDCSWDM	TEFC	56-215	3:1	10:1	Inverter Duty, Paint Free
IDM	TEBC	143-5009	1000:1	1000:1	Inverter Duty, Blower Cooled
IDNM	TENV	143-256	1000:1	1000:1	Inverter Duty, Totally Enclosed Non-Ventilated
ZDM	TEBC	143-5009	1000:1	1000:1	Vector Duty, Blower Cooled
ZDNM	TENV	143-256	1000:1	1000:1	Vector Duty, Non-Ventilated
IDXM	TEXP	182-405	2:1	10:1	Inverter Duty, Explosion Proof
(2 families)		56-405	10:1	10:1	
IDWNM	TENV	143-254	1000:1	1000:1	Inverter Duty, Washdown, Non-Ventilated
ZDWNM	TENV	143-254	1000:1	1000:1	Vector Duty, Washdown, Non-Ventilated
V*S Master Motors 230 & 460 Volts					
IDNVSM	TENV	56-256	1000:1	1000:1	Inverter Duty, TENV, V*S Master
IDVSM	TEFC	182-449	1000:1	1000:1	Inverter Duty, TEFC, V*S Master
ZDNVSM	TENV	56-256	1000:1	1000:1	Vector Duty, TENV, V*S Master
ZDVSM	TEFC	182-449	1000:1	1000:1	Vector Duty, TEFC, V*S Master
ZDVSCP	TEFC-XT	143-326	1000:1	1000:1	Vector Duty, TEFC-XT, V*S Master
RPMAC Motors 230 & 460					
IDRPMN	TENV	FL180-FL210	1000:1	1000:1	Inverter Duty, TENV, RPMAC
IDRPMN	TEFC, TEBC, DPG-FV	FL180-FL440	1000:1	1000:1	Inverter Duty, TEFC, TEBC, DPG-FV, RPMAC
ZDRPMP	TENV	FL180-FL210	1000:1	1000:1	Vector Duty, TENV, RPMAC
ZDRPMP	TEFC, TEBC	FL180-L400	1000:1	1000:1	Vector Duty, TEFC & TEBC, RPMAC
ZDPM	TEBC	FL180 - FL440	1000:1	1000:1	Vector Duty, TEBC, PM, RPMAC

(1) Baldor type 35M frames and larger

(2) For greater speed range capabilities, please select an Inverter Duty®, Vector Duty®, V*S Master or RPM AC type motor, or contact your local Baldor Sales Office for a custom motor design.

(3) Standard-E EPA efficient motors are suitable for use in adjustable speed applications per NEMA MG 1 Part 30.

RPM XE, Sensorless PM, eXtreme Efficiency, Totally Enclosed, Severe Duty, 460 Volts

10 thru 125 Hp



Features:

- TEFC, 1800RPM, synchronous speed, Design B
- Efficiency two to four levels above NEMA premium
- Power dense designs, 1.15 SF
- Suitable for across the line operation
- Combined motor + drive premium efficient up to IE3 performance
- Induction/PM design runs in scalar mode

Applications:

- Centrifugal fan and pump applications
- Continuous applications demanding the ultimate efficiency

Hp	RPM	Frame	Encl	Catalog Number	List Price	Mult. Sym.	"C" Dim.	Aprx. Wt. (lb)	* Full Load Efficiency	Voltage	Full Load Amps (b)	Dimension Sheet	Notes (a)
10	1800	FL1838	TEFC	XEFRPM18104	2,585	E2	21.76	158	93.0	460	10	617229-001	77
15	1800	FL1844	TEFC	XEFRPM18154	3,295	E2	23.26	180	93.6	460	15	617232-001	77
20	1800	FL1848*	TEFC	XEFRPM18204	3,535	E2	24.26	194	94.1	460	20	617511-200	77
25	1800	FL2158	TEFC	XEFRPM21254	4,625	E2	25.49	270	95.0	460	25	619697-901	77
30	1800	FL2162	TEFC	XEFRPM21304	5,490	E2	26.49	290	95.0	460	30	617517-001	77
40	1800	FL2562	TEFC	XEFRPM25404	7,180	E2	27.79	410	95.8	460	40	619698-901	77
50	1800	FL2570	TEFC	XEFRPM25504	8,430	E2	29.79	475	96.2	460	50	617573-001	77
60	1800	FL2873	TEFC	XEFRPM28604	11,300	E2	32.34	635	96.5	460	60	617512-200	77
75	1800	FL2882	TEFC	XEFRPM28754	13,200	E2	34.59	720	96.8	460	75	617242-001	77
100	1800	FL2898	TEFC	XEFRPM201004	17,330	E2	38.59	880	96.8	460	100	617248-001	77
125	1800	FL2898	TEFC	XEFRPM281254	20,490	E2	38.59	880	96.8	460	125	617248-001	77

* Efficiency as measure on sine wave power. Premium efficient (IE3) levels on AF power

(a) See notes on inside back flap.

(b) The data - including efficiency - is for fundamental sinewave components of amps and volts and does not include losses due to inverter pwm waveshapes.

Red Catalog Number indicates **NEW** Product.

RPM AC, Salient Pole PM Rotor, Three Phase, TEBC

10 thru 150 Hp



Features:

- PM premium efficient design
- Power dense square laminated frame
- Resolver feedback
- Low FLA and optimized power factor
- 1000:1 constant torque
- 3 thermostats, one per phase

Applications:

- Extruders, conveyors, crane and hoist
- Web processing, process control, test stands
- Winders, line shaft printing, traction

Hp	Base Speed RPM	C.H. Speed RPM	NEMA Frame	Catalog Number	List Price (c)	Mult. Sym.	"C" Dim.	Aprx. Wt. (lb)	Full Load Efficiency (b)	Voltage	Full Load Amps (b)	Rotor Inertia lb-ft ²	Notes (a)
10	1800	3000	FL1831C	ZDPM18010C-BV	7,233	E2	22.08	132	94.0	230/460	10.6	0.46	8, 77, 91
15	1800	3000	FL1838C	ZDPM18015C-BV	7,315	E2	22.71	158	94.6	460	16.0	0.63	8, 77, 92
20	1800	3000	FL1844C	ZDPM18020C-BV	8,892	E2	25.96	180	94.7	460	21.7	0.77	8, 77, 92
25	1800	3000	FL1852C	ZDPM18025C-BV	8,913	E2	27.96	209	95.1	460	26.6	0.96	8, 77, 92
30	1800	3000	FL1852C	ZDPM18030C-BV	8,913	E2	27.96	209	94.7	460	32.3	0.96	8, 77, 92
40	1800	3000	FL2162	ZDPM21040-BV	9,339	E2	28.55	290	94.5	460	43.2	2.14	8, 77, 93
50	1800	3000	FL2168	ZDPM21050-BV	9,674	E2	30.06	325	94.8	460	53.4	2.60	8, 77, 93
60	1800	3000	FL2173	ZDPM21060-BV	10,597	E2	31.31	355	94.8	460	65.7	2.99	8, 77, 93
75	1800	3000	FL2578	ZDPM25075-BV	17,411	E2	33.85	540	95.8	460	81.8	4.90	8, 77, 93
100	1800	3000	FL2586	ZDPM25100-BV	18,448	E2	35.85	605	95.7	460	110.6	5.83	8, 77, 93
125	1800	3000	FL2882	ZDPM28125-BV	19,486	E2	39.27	730	95.9	460	137.0	8.82	8, 77, 93
150	1800	3000	FL2890	ZDPM28150-BV	20,523	E2	41.27	805	96.0	460	168.0	10.56	8, 77, 93

MUST BE APPLIED WITH DRIVE SPECIFICALLY DESIGNED FOR PERMANENT MAGNET ROTOR PERFORMANCE.

(a) See notes on inside back flap.

(b) The data - including efficiency - is for fundamental sinewave components of amps and volts and does not include losses due to inverter pwm waveshapes.

(c) List price includes magnet surcharge and resolver.

All TEBC have integral blower rated 230/460 volts 3 phase.

RPM AC, Inverter Duty, Three Phase

5 thru 1000 Hp



Features:

- Power dense square laminated frame
- 1000:1 constant torque
- Class H, 40C, 1.0 SF
- 3 thermostats, one per phase
- For use on inverter only

Applications:

- Extruders, conveyors, crane and hoist
- Web processing, process control, test stands
- Winders
- Centrifugal pumps and fans

Hp	Base Speed RPM	C.H. Speed RPM	NEMA Frame	Enclosure	Catalog Number ^(b)	List Price	Mult. Sym.	"C" Dim.	Aprx. Wt. (lb)	Voltage	Full Load Amps	Notes ^(a)
5	1800	3500	FL1838C	TENV	IDNRPM18054C	3,666	E2	18.37	143	230/460	7.2	90
7 1/2	1800	3500	FL1852C	TENV	IDNRPM18074C	4,215	E2	21.87	194	230/460	11	91
10	1800	3500	FL1844C	TEFC	IDFRPM18104C	4,376	E2	23.26	179	230/460	13.9	91
			FL2162C	TENV	IDNRPM21104C	4,990	E2	23.11	280	230/460	13.6	91
15	1800	3500	FL1844C	TEBC	IDBRPM18154C	4,522	E2	25.33	180	460	21	92
			FL2162C	TEFC	IDFRPM21154C	5,450	E2	26.49	290	460	20	92
20	1800	3500	FL1852C	TEBC	IDBRPM18204C	4,983	E2	27.33	209	460	27	92
			FL2162C	TEFC	IDFRPM21204C	5,450	E2	26.49	290	460	27	92
25	1800	3500	FL2162C	TEBC	IDBRPM21254C	5,800	E2	28.55	290	460	34	92
		3150	FL1844C	DPG-FV	IDDRPM18254C	5,244	E2	19.87	200	460	33	92
		3500	FL2173C	TEFC	IDFRPM21254C	5,886	E2	29.50	355	460	34	92
30	1800	3500	FL2162C	TEBC	IDBRPM21304C	5,800	E2	28.55	290	460	40	92
		3475	FL1852C	DPG-FV	IDDRPM18304C	5,456	E2	21.87	230	460	39	92
		3500	FL2570C	TEFC	IDFRPM25304C	6,195	E2	29.79	475	460	39	92
40	1800	3500	FL2173	TEBC	IDBRPM21404	6,409	E2	31.31	355	460	51	93
		2000	RL2162	DPG-FV	IDDRPM21404	6,356	E2	23.12	305	460	52	93
		3550	FL2586	TEFC	IDFRPM25404	6,739	E2	33.79	605	460	51	93
50	1800	3545	FL2570	TEBC	IDBRPM25504	7,147	E2	31.85	475	460	65	93
		2400	RL2168	DPG-FV	IDDRPM21504	8,556	E2	24.62	345	460	62	93
		3565	FL2882	TEFC	IDFRPM28504	11,510	E2	34.59	720	460	64	93
		1200	RL2570	DPG-FV	IDDRPM25506	10,275	E2	26.38	480	460	64	93
60	1800	3540	FL2578	TEBC	IDBRPM25604	10,549	E2	33.85	540	460	75	93
		2200	RL2168	DPG-FV	IDDRPM21604	8,556	E2	24.62	345	460	74	93
		3565	FL2890	TEFC	IDFRPM28604	11,510	E2	36.59	795	460	76	93
75	1800	1300	RL2578	DPG-FV	IDDRPM25606	12,458	E2	28.38	545	460	73	93
		3545	FL2586	TEBC	IDBRPM25754	12,599	E2	35.85	605	460	95	93
		2000	RL2570	DPG-FV	IDDRPM25754	10,275	E2	26.38	480	460	95	93
100	1800	3565	FL2898	TEFC	IDFRPM28754	13,751	E2	38.59	880	460	94	93
		1400	RL2586	DPG-FV	IDDRPM25756	16,509	E2	30.38	615	460	91	93
		3555	FL2890	TEBC	IDBRPM281004R1	14,259	E2	41.11	805	460	124	93
125	1800	2000	RL2578	DPG-FV	IDDRPM251004	12,458	E2	28.38	545	460	119	93
		1445	RL2882	DPG-FV	IDDRPM281006	18,432	E2	31.14	770	460	124	93
		3555	FL2898	TEBC	IDBRPM281254	15,089	E2	43.11	890	460	156	93
		3560	L3203	TEBC	IDBRPM321254	21,135	E2	44.25	1170	460	150	93
150	1800	2330	RL2586	DPG-FV	IDDRPM251254	16,509	E2	30.38	615	460	148	93
		1970	RL2898	DPG-FV	IDDRPM281256	24,030	E2	35.14	930	460	150.9	93
		3560	L3213	TEBC	IDBRPM321504	28,276	E2	55.13	1310	460	177	93
		3555	FL3203	TEBC	IDBRPM321504R1	28,276	E2	55.13	1310	460	177	93
150	1200	2000	RL2882	DPG-FV	IDDRPM281504	18,432	E2	31.14	770	460	180	93
		L3203	DPG-FV	IDDRPM321506	28,276	E2	39.88	1185	460	180	93	
		RL3203	DPG-FV	IDDRPM321506R1	28,276	E2	39.88	1185	460	180	93	

(a) See notes on inside back flap.

(b) The "R1" suffix indicates the latest revision FL or RL from the previous L frame design

All TEBC and DPG-FV have integral blower rated 230/460 volts 3 phase. All TENV, TEFC and TEBC have top mounted conduit box. All DPG-FV are F1.

ENCODER MOUNTING PROVISIONS - INCLUDE MACHINED ODE BRACKET AND SHAFT TAPPED FOR STUB SHAFT. FOR CLOSED LOOP CONTROL SEE ENCODER FEEDBACK KITS FOR USE WITH ID-RPM AC MOTORS. FOR RPM AC MOD EXPRESS, CONTACT YOUR BALDOR•RELIANCE SALES OFFICE.

Red Catalog Number indicates **NEW** Product.

RPM AC, Inverter Duty, Three Phase

Hp	Base Speed RPM	C.H. Speed RPM	NEMA Frame	Enclosure	Catalog Number ^(b)	List Price	Mult. Sym.	"C" Dim.	Aprx. Wt. (lb)	Voltage	Full Load Amps	Notes ^(a)
200	1800	3500	FL3698	TEBC	IDBRPM362004R1	29,277	E2	56.30	1950	460	227	93
			L3614	TEBC	IDBRPM362004	31,281	E2	52.87	1700	460	229	93
			L4022	TEBC	IDBRPM402004	33,751	E2	54.12	1750	460	234	93
	1200	2000	RL2898	DPG-FV	IDDRPM282004	24,030	E2	35.14	930	460	237	93
			L3213	DPG-FV	IDDRPM322006	32,927	E2	42.38	1325	460	236	93
			RL3213	DPG-FV	IDDRPM322006R1	32,927	E2	42.38	1325	460	236	93
250	1800	3500	FL3614	TEBC	IDBRPM362504R1	31,279	E2	43.47	2000	460	283	93
			L4034	TEBC	IDBRPM402504	39,164	E2	57.12	2150	460	290	93
			L3203	DPG-FV	IDDRPM322504	28,276	E2	39.88	1185	460	295	93
	1200	2000	RL3203	DPG-FV	IDDRPM322504R1	28,276	E2	39.88	1185	460	295	93
			RL3698	DPG-FV	IDDRPM362506R1	35,848	E2	39.47	1680	460	289	93
			L3614	DPG-FV	IDDRPM362504	41,696	E2	45.00	1715	460	290	93
300	1800	3500	FL4034	TEBC	IDBRPM403004R1	39,163	E2	65.46	2620	460	336	93
			L4046	TEBC	IDBRPM403004	48,044	E2	60.12	2450	460	346	93
			L3213	DPG-FV	IDDRPM323004	32,927	E2	42.38	1325	460	350	93
	1200	2000	RL3213	DPG-FV	IDDRPM323004R1	32,927	E2	42.38	1325	460	350	93
			RL3614	DPG-FV	IDDRPM363006R1	41,695	E2	43.47	2000	460	360	93
			L4034	DPG-FV	IDDRPM403006	55,045	E2	52.00	2000	460	355	93
350	1800	2200	RL3698	DPG-FV	IDDRPM363504R1	35,848	E2	39.47	1680	460	401	93
			L3614	DPG-FV	IDDRPM363504	41,696	E2	45.00	1715	460	413	93
400	1800	2700	RL3614	DPG-FV	IDDRPM364004R1	41,696	E2	43.47	2000	460	477	93
			L3614	DPG-FV	IDDRPM364004	41,696	E2	45.00	1715	460	459	93
			FL4440	TEBC	IDBRPM444004	64,562	E2	78.57	3940	460	479	93
	1200	2000	RL4034	DPG-FV	IDDRPM404006R1	55,042	E2	48.62	2530	460	451	93
			L4046	DPG-FV	IDDRPM404006	67,104	E2	55.00	2000	460	465	93
			FL4451	TEBC	IDBRPM445004	74,643	E2	78.57	4260	460	591	93
500	1800	2400	RL4022	DPG-FV	IDDRPM405004R1	48,367	E2	45.62	2260	460	557	93
			L4034	DPG-FV	IDDRPM405004	55,045	E2	52.00	2050	460	557	94
	1200	2380	RL4461	DPG-FV	IDDRPM445006R1	104,952	E2	63.61	3505	460	669	93
			L4461	DPG-FV	IDDRPM445006	104,952	E2	63.63	3889	460	669	95
600	1800	3000	RL4034	DPG-FV	IDDRPM406004R1	55,042	E2	48.62	2530	460	666	93
			L4046	DPG-FV	IDDRPM406004	67,104	E2	55.00	2000	460	666	94
700	1800	2300	FL4473	TEBC	IDBRPM446004	75,188	E2	86.82	4905	460	708	93
			RL4058	DPG-FV	IDDRPM407004R1	70,456	E2	54.62	3080	460	875	94
1000	1800	2550	L4429	DPG-FV	IDDRPM447004	83,747	E2	55.63	3004	460	870	94
			RL4461	DPG-FV	IDDRPM4410004R1	104,952	E2	63.61	3505	460	1202	94
			L4461	DPG-FV	IDDRPM4410004	104,952	E2	66.63	3889	460	1202	94

(a) See notes on inside back flap.

(b) The "R1" suffix indicates the latest revision FL or RL from the previous L frame design

All TEBC and DPG-FV have integral blower rated 230/460 volts 3 phase. All TENV, TEFC and TEBC have top mounted conduit box. All DPG-FV are F1.

ENCODER MOUNTING PROVISIONS - INCLUDE MACHINED ODE BRACKET AND SHAFT TAPPED FOR STUB SHAFT. FOR CLOSED LOOP CONTROL SEE ENCODER FEEDBACK KITS FOR USE WITH ID-RPM AC MOTORS. FOR RPM AC MOD EXPRESS, CONTACT YOUR BALDOR•RELIANCE SALES OFFICE.

Red Catalog Number indicates **NEW** Product.

Definite Purpose Motors
Unit Handling Motors
Brake Motors
IEC Frame Motors
50 Hertz Motors
Inverter/Vector Motors & Controls
DC Motors and Controls
Gearmotors and Gear Products
Motor Accessories
Grinders

RPM AC, Vector Duty, Three Phase, Totally Enclosed

5 thru 200 Hp



Features:

- Power dense square laminated frame
- 1000:1 constant torque
- Class H, 40C, 1.0 SF
- 3 thermostats, one per phase
- HS35 encoder feedback, 1024 PPR
- For use on inverter only

Applications:

- Extruders, conveyors, crane and hoist, winders
- Web processing, process control, test stands
- Centrifugal pumps and fans

Hp	Base Speed RPM	C.H. Speed RPM	NEMA Frame	Enclosure	Catalog Number	List Price	Mult. Sym.	"C" Dim.	Aprx. Wt. (lb)	Voltage	Full Load Amps	Notes (a)
5	1800	3500	FL1838C	TENV	ZDNRPM18054C	5,692	E2	17.87	143	230/460	7.2	90
7 1/2	1800	3500	FL1852C	TENV	ZDNRPM18074C	6,241	E2	21.87	194	230/460	11	91
10	1800	3500	FL1844C	TEFC	ZDFRPM18104C	6,402	E2	23.26	179	230/460	13.9	91
			FL2162C	TENV	ZDNRPM21104C	7,017	E2	22.73	280	230/460	13.6	91
15	1800	3500	FL1844C	TEBC	ZDBRPM18154C	6,548	E2	25.33	180	460	21	92
20	1800	3500	FL1852C	TEBC	ZDBRPM18204C	7,010	E2	27.96	209	460	27	92
		3500	FL2162C	TEFC	ZDFRPM21204C	7,827	E2	28.55	290	460	27	92
25	1800	3500	FL2173C	TEFC	ZDFRPM21254C	7,912	E2	31.31	355	460	34	92
30	1800	3500	FL2162C	TEBC	ZDBRPM21304C	7,827	E2	28.55	290	460	40	92
			FL2570C	TEFC	ZDFRPM25304C	8,221	E2	29.54	475	460	39	92
40	1800	3500	FL2173	TEBC	ZDBRPM21404	8,242	E2	31.31	355	460	51	93
			FL2586	TEFC	ZDFRPM25404	8,572	E2	35.85	605	460	51	93
50	1800	3500	FL2570	TEBC	ZDBRPM25504	8,981	E2	31.85	475	460	65	93
60	1800	3500	FL2578	TEBC	ZDBRPM25604	12,383	E2	33.85	540	460	75	93
75	1800	3500	FL2586	TEBC	ZDBRPM25754	14,432	E2	35.85	605	460	95	93
100	1800	3550	FL2890	TEBC	ZDBRPM281004R1	16,091	E2	41.27	805	460	124	93
125	1800	3550	FL2898	TEBC	ZDBRPM281254	16,923	E2	43.27	890	460	156	93
		3500	L3203	TEBC	ZDBRPM321254	22,967	E2	44.25	1170	460	150	93
150	1800	3500	L3213	TEBC	ZDBRPM321504	30,109	E2	55.13	1310	460	177	93
200	1800	3500	L3614	TEBC	ZDBRPM362004	33,113	E2	52.87	1700	460	229	93
			L4022	TEBC	ZDBRPM402004	35,581	E2	54.12	1750	460	234	93

(a) See notes on inside back flap.

All TEBC have integral blower rated 230/460 volts 3 phase.

CONTINUOUS CONSTANT TORQUE TO ZERO SPEED

Definite Purpose Motors

Unit Handling Motors

Brake Motors

IEC Frame Motors

50 Hertz Motors

Inverter/Vector Motors & Controls

DC Motors and Controls

Gearmotors and Gear Products

Motor Accessories

Grinders

Encoder Feedback Kits

1024 pulse per revolution, Includes all Mounting Hardware and Mating Connector

The following kits for use with RPM AC motors on previous pages.

Catalog Number	Motor Enclosure	Type	Frame Size	Mfg.	Mag or Optical	Conn Type	Input Voltage VDC	List Price	Mult. Sym.	Ap'x. Shpg. Wgt.
417077-136	TENV	HS35	FL180-FL/RL280 (1)	BEI	O	MS-ST	5-15	1,442	E8	4
417077-208TL	TENV	HS35	FL180-FL280 (1)	BEI	O	MS-TL	5-28	1,442	E8	6
417077-153	TENV	H20	FL180-FL/RL280 (1)	Dynapar	O	MS-ST	5-15	1,598	E8	9
417077-156	TENV	RL67	FL180-FL/RL280 (1)	Dynapar	M	Latch	5-15	2,060	E8	9
417077-170	TENV	HS35M	FL180-FL/RL280 (1)	Avtron	M	MS-ST	5-24	1,442	E8	10
417077-133	TEFC	HS35	FL180-FL/RL280 (1)	BEI	O	MS-ST	5-15	1,442	E8	5
417077-165	TEBC	HS35	FL180	BEI	O	MS-ST	5-15	1,442	E8	15
417077-188	TEBC	HS35	FL210 Only	BEI	O	MS-ST	5-15	1,442	E8	10
417077-189	TEBC	HS35	FL250 Only	BEI	O	MS-ST	5-15	1,442	E8	10
417077-212TL	TEBC	HS35	FL250	BEI	O	MS-TL	5-28	1,442	E8	6
417708-140	TEBC	HS35	L320	BEI	O	MS-ST	5-15	1,442	E8	10
417708-142	TEBC	HS35	L400	BEI	O	MS-ST	5-15	2,060	E8	15
417077-173	TEBC	HS35M	FL180	Avtron	M	MS-ST	5-24	2,060	E8	10
417077-182	TEBC	HS35M	FL210 Only	Avtron	M	MS-ST	5-24	2,060	E8	10
417077-176	TEBC	HS35M	FL280	Avtron	M	MS-ST	5-24	2,060	E8	15
417077-177	TEBC	HS35M	L320	Avtron	M	MS-ST	5-24	2,060	E8	35
417077-179	TEBC	HS35M	L400	Avtron	M	MS-ST	5-24	2,060	E8	35
417077-167	TEBC	H20	FL180	Dynapar	O	MS-ST	5-15	1,598	E8	20
417077-191	TEBC	H20	FL250 Only	Dynapar	O	MS-ST	5-15	2,060	E8	10
417708-90	TEBC	H20	L280	Dynapar	O	MS-ST	5-15	2,060	E8	13
417708-91	TEBC	H20	L320	Dynapar	O	MS-ST	5-15	2,060	E8	15
417077-168	TEBC	RL67	FL180	Dynapar	M	Latch	5-15	2,060	E8	10
417077-193	TEBC	RL67	FL250 Only	Dynapar	M	Latch	5-15	2,060	E8	10
417077-242TL	DPFV	HS35R	RL180-RL440	Dynapar	O	MS-TL	5-26	1,442	E8	6
417077-136	DPFV	HS35	FL180-RL280 (2)	BEI	O	MS-ST	5-15	1,442	E8	4
417077-208TL	DPFV	HS35	FL180-RL280 (2)	BEI	O	MS-TL	5-28	1,442	E8	6
417708-130	DPFV	HS35	L280-L400	BEI	O	MS-ST	5-15	1,442	E8	5
417077-218TL	DPFV	HS35	L320-L400	BEI	O	MS-TL	5-28	1,442	E8	6
417077-170	DPFV	HS35M	FL180-RL280 (2)	Avtron	M	MS-ST	5-24	1,442	E8	10
417077-171	DPFV	HS35M	L280-L400	Avtron	M	MS-ST	5-24	1,442	E8	5

Encoder Feedback Kits RPM AC Designs

Catalog Number	Motor Enclosure	Type	Frame Size	Mfg.	Mag or Optical	Conn Type	Input Voltage VDC	List Price	Mult. Sym.	Ap'x. Shpg. Wgt.
417077-153	DPFV	H20	FL180-RL280 (2)	Dynapar	O	MS-ST	5-15	1,598	E8	9
417708-85	DPFV	H20	L280-L400	Dynapar	O	MS-ST	5-15	1,598	E8	5
417077-156	DPFV	RL67	FL180-RL280 (2)	Dynapar	M	Latch	5-15	2,060	E8	9
417708-87	DPFV	RL67	L280-L400	Dynapar	M	Latch	5-15	2,060	E8	6
417708-120	DPFV	RL67	L440	Dynapar	M	Latch	5-15	2,060	E8	23

(1) Includes FL180, FL210, FL250, RL210, RL250, FL280 and RL280

(2) Includes FL180, RL210, RL250 and RL280

Encoder Mounting Kits - no encoder

Kit includes stub shaft only (no encoder) - unmounted - for RPM AC motor frames FL180-L440.

Encoder (reference)	Frame	Enclosure	Catalog Number	List Price	Mult. Sym.
BEI HS35 (1 inch dia.)	FL180-FL/RL250 (3)	DPFV,TENV,TEFC,TEBC (2)	417708-201	240	E8
	FL/RL280 thru L400	DPFV & TEBC (2)	417708-202	240	E8
	L440	DPFV & TEAO-P/B	417708-203	240	E8

(2) Note: encoder addition requires an extended blower cover on TEBC motors in all frames except L320. Cover is included in complete kits only.

(3) Includes FL180, FL210, FL250, RL210, RL250

RPM AC Slide Bases

Application: Used for adjustable belt tension on belted application not suitable for wall or ceiling mounting.

Frame	Catalog Number	List Price	Mult. Symbol	Dimension Sheet	Approx. Wt. (Lb.)
FL1831	419914-9A	469	E8	609957-9	13
FL1838	419914-9B	469	E8	609957-9	14
FL1844	419914-9C	469	E8	609957-9	15
FL1852	419914-9D	469	E8	609957-9	17
FL/RL2153	419914-10A	469	E8	609957-10	39
FL/RL2158	419914-10B	469	E8	609957-10	27
FL/RL2162	419914-10D	547	E8	609957-10	48
FL/RL2168	419914-10L	547	E8	609957-10	52
FL/RL2173	419914-10M	547	E8	609957-10	28
FL/RL2570	419914-10G	547	E8	609957-10	55
FL/RL2578	419914-10N	1,525	E8	609957-10	58
FL/RL2586	419914-10P	1,485	E8	609957-10	56
FL/RL/L2882	419914-10K	1,006	E8	609957-10	80
FL/RL/L2890	419914-10R	1,006	E8	609957-10	80
FL/RL/L2898	419914-10S	1,006	E8	609957-10	90
FL/RL3203	419914-11P	1,110	E8	609977-10	90
FL/RL3213	419914-11R	1,110	E8	609977-10	90
UFL/URL3698	419914-11M	1,300	E8	609977-10	105
UFL/URL3699	419914-11C	1,300	E8	609977-10	105
UFL/URL3607	419914-11D	1,300	E8	609977-10	74
UFL/URL3614	419914-11N	1,300	E8	609977-10	124
UFL/URL4022	419914-11E	2,476	E8	609977-10	105
UFL/URL4034	419914-11F	2,476	E8	609977-10	132
UFL/URL4046	419914-11G	2,476	E8	609977-10	141
UFL/URL4429	419914-11H	4,672	E8	609977-10	140
UFL/URL4440	419914-11J	4,672	E8	609977-10	150
UFL/URL4451	419914-11K	4,672	E8	609977-10	160
UFL/URL4461	419914-11L	4,672	E8	609977-10	165

RPM AC Filter Kits

Application: For use with DPFV enclosures

Frame	Catalog Number	List Price	Mult. Symbol	Description	Approx. Wt. (Lb.)
FL180	417077-57	911	A8	Washable Wire Mesh Canister Type	2
RL210	417077-59	911	A8	Washable Wire Mesh Canister Type	4
RL250	417077-59	911	A8	Washable Wire Mesh Canister Type	4
RL/L280	417077-59	911	A8	Washable Wire Mesh Canister Type	4
L320	417077-59	911	A8	Washable Wire Mesh Canister Type	4
L360	417077-65	1,165	A8	Washable Wire Mesh Canister Type	7
L400	417077-102	1,642	A8	Washable Wire Mesh Canister Type	6
L440	417077-124	1,893	A8	Square Replaceable Polyester Type	18

RPM AC Mounting Conversion Kits for FL180-FL280 Frames

Kits are for relocation of the conduit box of stock FL180 - FL280 frame motors as noted. Installation of this kit requires complete disassembly/reassembly of motor. Price is for kit only.

Frame	Catalog Number	List Price	Mult. Sym.	Enclosure	Relocate Conduit Box:
For FL180-FL280 Frames					
FL180	417077-184	503	E8	TENV, TEBC, TEFC	From Top to F-1 or F-2
FL180	417077-185	503	E8	DPFV	From F-1 to F-2
FL210	417077-186	591	E8	TENV, TEBC, TEFC	From Top to F-1 or F-2
FL250	417077-187	870	E8	TENV, TEBC, TEFC	From Top to F-1 or F-2
FL280	417077-201	1,730	E8	TENV, TEBC, TEFC	From Top to F-1 or F-2
For RL210-RL280 Frames					
RL2153 thru RL2173	417077-129	503	E8	DPFV	From F-1 to F-2
RL250 thru RL2586	417077-131	503	E8	DPFV	From F-1 to F-2
RL2153 thru RL2173	417077-130	591	E8	TENV, TEBC, TEFC	From Top to F-1 or F-2
RL2570 thru RL2586	417077-132	591	E8	TENV, TEBC, TEFC	From Top to F-1 or F-2
RL2882 thru RL2898	417077-202	632	E8	DPFV	From F-1 to F-2

Replacement Blower Kits for DPG-FV RPM AC Motors

Kit includes blower motor and shroud, blower wheel and all mounting hardware. Filter is not included.

DPFV Frame	Catalog Number	List Price	Mult. Sym.
RL210	417077-144	897	E8
RL250	417077-145	1,753	E8
RL280	419947-40	1,747	E8
L280 (4)	419947-31	1,747	E8
L320	419947-33	1,944	E8
RL360	419947-41	2,123	A8
L360 (4)	417077-127	2,123	A8
RL400	419947-42	2,324	A8
L400 (4)	417077-75	2,324	A8
L440	417077-126	3,538	A8

Kit includes terminal box and blower motor only.

TEBC Frame	Catalog Number	List Price	Mult. Sym.
FL180 (3)	417077-143	897	E8
FL/RL210-320(3)	417077-141	1,142	E8

(3) Compact inline blower used on stock models (IP44 rating)

(4) Being phased out

**V*S Master Inverter Drive, Three Phase,
Totally Enclosed**

1/3 thru 300 Hp



Features:

- TENV & TEFC, 1000:1CT without blower
- Provisions for encoder mounting
- 3 thermostats, one per phase
- Standard NEMA frame sizes

Applications:

- Extruders, conveyors, crane and hoist, winders
- Web processing, process control, test stands
- Centrifugal pumps and fans

Hp	Base Speed RPM	C.H. Speed RPM	NEMA Frame	Enclosure	Catalog Number	List Price	Mult. Sym.	"C" Dim.	Aprx. Wt. (lb)	Full Load Efficiency	Voltage	Full Load Amps	Notes (a)
1/3	1800	2700	56C	TENV	IDVSNM3534	495	E2	13.84	32	80	230/460	0.6	2, 48
1/2	1800	2700	56C	TENV	IDVSNM3538	579	E2	13.84	35	84	230/460	0.9	2, 48
3/4	1800	2700	56C	TENV	IDVSNM3542	645	E2	13.84	36	84	230/460	1.2	2, 48
1	1800	2700	56C	TENV	IDVSNM3546	1,048	E2	14.84	45	87.5	230/460	1.5	2, 48
			143TC	TENV	IDVSNM3581T	1,315	E2	14.65	58	85.5	230/460	1.5	2, 48
			143TC	TENV	IDVSNM3581T-5	1,256	E2	14.65	58	85.5	575	1.2	2, 48
1 1/2	1800	2700	145TC	TENV	IDVSNM3582T	1,715	E2	14.65	61	82.5	230/460	1.8	2, 48
			145TC	TENV	IDVSNM3584T-5	1,451	E2	14.65	64	86.5	575	1.7	2, 48
			145TC	TENV	IDVSNM3584T	1,451	E2	14.65	64	82.5	230/460	2.1	2, 48
2	1800	2700	145TC	TENV	IDVSNM3587T-5	1,448	E2	14.65	62	86.5	575	2.3	2, 48
			145TC	TENV	IDVSNM3587T	1,516	E2	14.65	63	86.5	230/460	2.8	2, 48
3	1800	2700	182TC	TEFC	IDVSM3661T	1,674	E2	20.23	105	89.5	230/460	4.1	2, 48
			182TC	TENV	IDVSNM3661T	1,722	E2	17.85	111	89.5	230/460	4.3	2, 48
5	1800	2700	L184TC	TEFC	IDVSM3665T	1,941	E2	20.23	120	89.5	230/460	6.6	2, 48
			L184TC	TENV	IDVSNM3665T	1,995	E2	17.85	124	89.5	230/460	6.6	2, 48
7 1/2	1800	2700	213TC	TEFC	IDVSM3770T	2,497	E2	24.59	180	91.7	230/460	9.5	2, 48
			L215TC	TENV	IDVSNM2237T	2,567	E2	20.86	212	91.7	230/460	10.1	2, 48
10	1800	2700	L215TC	TEFC	IDVSM3774T	3,255	E2	24.59	231	92.4	230/460	12.5	2, 48
			254TC	TENV	IDVSNM2238T	3,521	E2	24.05	305	91.7	230/460	13	2, 48
15	1800	2700	254TC	TEFC	IDVSM2333T	3,787	E2	26.71	291	92.4	230/460	18	2, 48
			256TC	TENV	IDVSNM2333T	4,235	E2	24.05	284	93.6	230/460	18.5	2, 48
20	1800	2700	256TC	TEFC	IDVSM2334T	4,106	E2	26.71	321	93	230/460	24	2, 48
25	1800	2700	284TC	TEFC	IDVSM4103T	5,214	E2	30.42	446	93.6	230/460	30	2, 48
30	1800	2700	286TC	TEFC	IDVSM4104T	5,696	E2	30.42	457	94.1	230/460	36	2, 48
40	1800	2700	324T	TEFC	IDVSM4110T	6,571	E2	30.44	619	94.1	230/460	50	2, 48
50	1800	2700	326T	TEFC	IDVSM4115T	8,031	E2	30.28	670	94.5	230/460	60	2, 48
60	1800	2700	364T	TEFC	IDVSM4314T	9,948	E2	33.44	869	94.2	230/460	71.2	2, 48
75	1800	2700	365T	TEFC	IDVSM4316T	12,459	E2	33.44	873	94.3	230/460	89.2	2, 48
100	1800	2700	405T	TEFC	IDVSM4400T-4	16,102	E2	38.31	1218	94.1	460	115	2, 48
125	1800	2700	444T	TEFC	IDVSM4410T-4	19,987	E2	44.62	1637	94.1	460	150	2, 48
150	1800	2700	445T	TEFC	IDVSM4406T-4	23,853	E2	44.62	1789	95	460	177	2, 48
200	1800	2700	447T	TEFC	IDVSM4407T-4	28,263	E2	48.40	2189	95.4	460	226	2, 48
250	1800	2700	449T	TEFC	IDVSM4408T-4	39,946	E2	53.40	2511	95.8	460	277	2, 48
300	1800	2700	449T	TEFC	IDVSM44304T-4	39,946	E2	53.40	2816	96.2	460	338	2, 48

(a) See notes on inside back flap.

CONTINUOUS CONSTANT TORQUE TO ZERO SPEED

■ Cast Iron Frame

Definite Purpose Motors

Unit Handling Motors

Brake Motors

IEC Frame Motors

50 Hertz Motors

Inverter/Vector Motors & Controls

DC Motors and Controls

Gearmotors and Gear Products

Motor Accessories

Grinders

V*S Master Vector Drive, Three Phase, Totally Enclosed

1/2 thru 300 Hp



Features:

- TENV & TEFC, 1000:1CT without blower
- HS35 encoder, 1024 PPR
- 3 thermostats, one per phase
- Standard NEMA frame sizes

Applications:

- Extruders, conveyors, crane and hoist, winders
- Web processing, process control, test stands
- Centrifugal pumps and fans

Hp	Base Speed RPM	C.H. Speed RPM	NEMA Frame	Enclosure	Catalog Number	List Price	Mult. Sym.	"C" Dim.	Aprx. Wt. (lb)	Full Load Efficiency	Voltage	Full Load Amps	Notes (a)
1/2	1800	2700	56C	TENV	ZDVSNM3538	2,136	E2	13.84	37	84	230/460	0.9	2, 46, 48
3/4	1800	2700	56C	TENV	ZDVSNM3542	2,201	E2	13.84	38	82.5	230/460	1.1	2, 46, 48
1	1800	2700	145TC	TENV	ZDVSNM3581T	2,872	E2	14.65	59	85.5	230/460	1.5	2, 46, 48
1 1/2	1800	2700	145TC	TENV	ZDVSNM3584T	3,006	E2	14.65	70	86.5	230/460	2.1	2, 46, 48
2	1800	2700	145TC	TENV	ZDVSNM3587T	3,315	E2	14.65	66	86.5	230/460	2.8	2, 46, 48
3	1800	2700	182TC	TEFC	ZDVSM3661T	3,508	E2	20.23	118	89.5	230/460	4.1	2, 46, 48
			182TC	TENV	ZDVSNM3661T	3,556	E2	17.85	111	89.5	230/460	4.3	2, 46, 48
5	1800	2700	L184TC	TEFC	ZDVSM3665T	3,773	E2	20.23	129	89.5	230/460	6.6	2, 46, 48
			L184TC	TENV	ZDVSNM3665T	3,828	E2	17.85	124	89.5	230/460	6.6	2, 46, 48
7 1/2	1800	2700	213TC	TEFC	ZDVSM3770T	4,329	E2	24.59	184	91.7	230/460	9.5	2, 46, 48
			L215TC	TENV	ZDVSNM2237T	4,399	E2	20.86	211	91.7	230/460	10.1	2, 46, 48
10	1800	2700	L215TC	TEFC	ZDVSM3774T	5,088	E2	24.59	210	92.4	230/460	12.5	2, 46, 48
			254TC	TENV	ZDVSNM2238T	5,354	E2	24.05	325	91.7	230/460	13	2, 46, 48
15	1800	2700	254TC	TEFC	ZDVSM2333T	5,620	E2	26.83	295	92.4	230/460	18	2, 46, 48
			256TC	TENV	ZDVSNM2333T	6,069	E2	24.05	348	93.6	230/460	18.5	2, 46, 48
20	1800	2700	256TC	TEFC	ZDVSM2334T	5,939	E2	26.83	317	93	230/460	24	2, 46, 48
25	1800	2700	284TC	TEFC	ZDVSM4103T	7,046	E2	30.42	458	93.6	230/460	30	2, 46, 48
30	1800	2700	286TC	TEFC	ZDVSM4104T	7,528	E2	30.42	472	94.1	230/460	36	2, 46, 48
40	1800	2700	324T	TEFC	ZDVSM4110T	8,404	E2	33.14	716	94.1	230/460	50	2, 46, 48
50	1800	2700	326T	TEFC	ZDVSM4115T	9,863	E2	33.14	721	94.5	230/460	60	2, 46, 48
60	1800	2700	364T	TEFC	ZDVSM4314T	11,781	E2	33.44	907	94.2	230/460	71.2	2, 46, 48
75	1800	2700	365T	TEFC	ZDVSM4316T	14,292	E2	33.44	944	94.3	230/460	89.2	2, 46, 48
100	1800	2700	405T	TEFC	ZDVSM4400T-4	17,935	E2	38.31	1230	94.1	460	115	2, 46, 48
125	1800	2700	444T	TEFC	ZDVSM4410T-4	21,819	E2	49.07	1667	94.1	460	150	2, 46, 48
150	1800	2700	445T	TEFC	ZDVSM4406T-4	25,685	E2	49.07	1806	95	460	177	2, 46, 48
200	1800	2700	447T	TEFC	ZDVSM4407T-4	30,096	E2	52.36	2203	95.4	460	226	2, 46, 48
250	1800	2700	449T	TEFC	ZDVSM4408T-4	41,779	E2	57.56	2550	95.8	460	277	2, 46, 48
300	1800	2700	449T	TEFC	ZDVSM44304T-4	41,779	E2	57.56	2817	96.2	460	338	2, 46, 48

(a) See notes on inside back flap.

CONTINUOUS CONSTANT TORQUE TO ZERO SPEED

■ Cast Iron Frame

V*S Master Severe Duty Vector Drive, Three Phase, Totally Enclosed

1 thru 50 Hp



Features:

- Designed for harsh, severe duty environments
- TENV & TEFC, 1000:1CT without blower
- HS35 encoder, 1024 PPR
- 3 thermostats, one per phase
- Standard NEMA frame sizes

Applications:

- Extruders, conveyors, crane and hoist, winders
- Web processing, process control, test stands
- Centrifugal pumps and fans

Hp	Base Speed RPM	C.H. Speed RPM	NEMA Frame	Enclosure	Catalog Number	List Price	Mult. Sym.	"C" Dim.	Aprx. Wt. (lb)	Full Load Efficiency	Voltage	Full Load Amps	Notes (a)
1	1800	2700	143TC	TENV	ZDVSNCP3581T	3,016	E2	14.61	65	87.5	230/460	1.5	2, 46, 48
1 1/2	1800	2700	145TC	TENV	ZDVSNCP3584T	3,150	E2	14.61	72	86.5	230/460	2.1	2, 46, 48
2	1800	2700	145TC	TENV	ZDVSNCP3587T	3,459	E2	14.61	73	86.5	230/460	2.8	2, 46, 48
3	1800	2700	182TC	TEFC	ZDVSCP3661T	3,902	E2	20.23	135	89.5	230/460	4.1	2, 46, 48
5	1800	2700	L184TC	TEFC	ZDVSCP3665T	4,234	E2	20.23	128	89.5	230/460	6.6	2, 46, 48
7 1/2	1800	2700	213TC	TEFC	ZDVSCP3770T	4,905	E2	24.58	201	91.7	230/460	9.5	2, 46, 48
10	1800	2700	L215TC	TEFC	ZDVSCP3774T	5,368	E2	24.58	218	92.4	230/460	12.5	2, 46, 48
15	1800	2700	254TC	TEFC	ZDVSCP2333T	6,421	E2	28.14	374	92.4	230/460	18	2, 46, 48
20	1800	2700	256TC	TEFC	ZDVSCP2334T	6,819	E2	28.14	388	93	230/460	24	2, 46, 48
25	1800	2700	284TC	TEFC	ZDVSCP4103T	8,157	E2	30.79	481	93.6	230/460	30	2, 46, 48
30	1800	2700	286TC	TEFC	ZDVSCP4104T	8,760	E2	30.79	494	94.1	230/460	36	2, 46, 48
40	1800	2700	324T	TEFC	ZDVSCP4110T	10,047	E2	33.14	762	94.1	230/460	50	2, 46, 48
50	1800	2700	326T	TEFC	ZDVSCP4115T	11,872	E2	33.14	757	94.5	230/460	60	2, 46, 48

(a) See notes on inside back flap.

CONTINUOUS CONSTANT TORQUE TO ZERO SPEED

■ Cast Iron Frame

V*S Master Encoder Feedback Kits 360-440 Frame Size

Encoder kits below feature 1024 pulses per revolution unless otherwise noted in the encoder type column. Connector styles include the MS twist lock (MS-TL), military style 10 pin screw tight (MS-ST), and the EPIC latch style (Latch). HS35, RAHS35M and HSD35 feature hollow shaft mounting. The HSD35 carry the Northstar brand. Encoder kits include the encoder and all mounting hardware. IDVSM & IDRPM kits include the mating connector.

Catalog Number	Motor Enclosure	Type	PPR	Frame Size	Mfg.	Mag or Optical	Conn Type	Input Voltage VDC	List Price	Mult. Sym.	Ap'x. Shpg. Wgt.
K99G72	TENV	HS35	1024	180T-250T	BEI	0	MS-ST	5-15	1,442	E8	6
K99G74	TENV	HS35-2048	2048	180T-250T	BEI	0	MS-ST	5-15	1,442	E8	6
K99G76	TENV	HS35	1024	180T-250T	BEI	0	MS-ST	5-24	1,442	E8	6
K99G70	TENV	RAHS35M	1024	180T-250T	Avtron	M	MS-ST	5-24	1,442	E8	9
K99G82	TENV	HS35R	1024	180T-250T	Dynapar	0	MS-TL	5-26	2,183	E8	6
K99G78	TENV	HSD35	1024	180T-250T	Dynapar	0	Latch	5-26	1,622	E8	8
K99G73	TEFC	HS35	1024	180T-440T	BEI	0	MS-ST	5-15	1,442	E8	6
K99G75	TEFC	HS35-2048	2048	180T-440T	BEI	0	MS-ST	5-24	1,442	E8	6
K99G77	TEFC	HS35	1024	180T-440T	BEI	0	MS-ST	5-24	1,442	E8	6
K99G71	TEFC	RAHS35M	1024	180T-440T	Avtron	M	MS-ST	5-24	1,442	E8	9
K99G83	TEFC	HS35R	1024	180T-440T	Dynapar	0	MS-TL	5-26	2,183	E8	6
K99G79	TEFC	HSD35	1024	180T-440T	Dynapar	0	Latch	5-26	1,622	E8	8
K99G80	TENV	HS35	1024	180T-250T	BEI	0	MS-TL	5-28	1,442	E8	6
K99G81	TEFC	HS35	1024	180T-440T	BEI	0	MS-TL	5-28	1,442	E8	6

NOTE: For 56-320 IDVSM frame sizes use the kits from the IDM product table.

Inverter, Three Phase, TEBC and TENV, C-Face, Foot Mounted

1/3 thru 50 Hp



Features:

- NEMA Premium® efficient designs
- Suitable for sine wave operation
- In-line blower for 1000:1 constant torque

Applications:

- Conveyors, pumps, fans, metal processing
- Compressors, test stands, material handling
- Process lines running open loop

Hp	Base Speed RPM	C.H. Speed RPM	NEMA Frame	Enclosure	Catalog Number	List Price	Mult. Sym.	"C" Dim.	Aprx. Wt. (lb)	Full Load Efficiency	Voltage	Full Load Amps	Notes (a)
1/3	1800	2700	56C	TENV	IDNM3534	495	E2	13.84	33	80	230/460	0.6	2, 8, 60
1/2	1800	2700	56C	TENV	IDNM3538	579	E2	13.84	31	80	230/460	0.8	2, 8, 60
3/4	1800	2700	56C	TENV	IDNM3542	645	E2	13.84	33	78.5	230/460	1.4	2, 8, 60
1	1800	2700	143TC	TENV	IDNM3581T	1,315	E2	14.65	58	85.5	230/460	1.5	2, 8, 60
			143TC	TEBC	IDM3581T	1,737	E2	19.00	65	87.5	230/460	1.5	2, 8
			143TC	TEBC	IDM3581T-5	1,737	E2	19.02	65	85.5	575	1.2	2, 8
1.5	1800	2700	145TC	TEBC	IDM3582T	2,040	E2	19.02	68	82.5	230/460	1.8	2, 8
			145TC	TENV	IDNM3584T	1,451	E2	14.65	58	84	230/460	2.3	2, 8, 60
			145TC	TEBC	IDM3584T	1,837	E2	19.02	70	88.5	230/460	2.1	2, 8
2	1800	2700	145TC	TEBC	IDM3584T-5	1,837	E2	19.02	70	88.5	575	1.7	2, 8
			182TC	TEBC	IDM3667T	2,294	E2	21.71	107	87.5	230/460	2.5	2, 8
			145TC	TEBC	IDM3587T	1,964	E2	19.02	72	88.5	230/460	2.7	2, 8
3	1800	2700	145TC	TEBC	IDM3587T-5	1,964	E2	19.02	73	88.5	575	2.3	2, 8
			145TC	TENV	IDNM3587T	1,516	E2	14.65	67	86.5	230/460	2.8	2, 8, 60
			182TC	TENV	IDNM3669T	1,759	E2	17.21	94	84	230/460	2.9	2, 8, 60
5	1800	2700	184TC	TEBC	IDM3664T	2,356	E2	21.71	124	88.5	230/460	3.2	2, 8
			184TC	TEBC	IDM3661T	2,509	E2	21.71	111	89.5	230/460	4.1	2, 8
			184TC	TEBC	IDM3661T-5	2,509	E2	21.71	112	89.5	575	3.3	2, 8
7.5	1800	2700	184TC	TENV	IDNM3661T	1,986	E2	17.21	108	88.5	230/460	4.2	2, 8, 60
			213TC	TEBC	IDM3764T	3,082	E2	29.14	187	90.2	230/460	4.5	2, 8, 70
			184TC	TEBC	IDM3665T	2,654	E2	21.71	124	90.2	230/460	6.5	2, 8
10	1800	2700	184TC	TEBC	IDM3665T-5	2,654	E2	21.71	124	90.2	575	5.2	2, 8
			184TC	TENV	IDNM3665T	2,215	E2	17.21	116	89.5	230/460	6.6	2, 8, 60
			213TC	TENV	IDNM3767T	2,469	E2	20.40	170	89.5	230/460	6.7	2, 8, 60
15	1800	2700	215TC	TEBC	IDM3768T	3,772	E2	29.14	226	90.2	230/460	7.3	2, 8, 70
			213TC	TEBC	IDM3770T	3,200	E2	29.14	170	91.7	230/460	9.5	2, 8, 70
			213TC	TEBC	IDM3770T-5	3,200	E2	30.07	170	91.7	575	7.5	2, 8, 70
20	1800	2700	254TC	TENV	IDNM2237T	3,071	E2	24.05	242	90.2	230/460	9.1	2, 8, 60
			213TC	TENV	IDNM3770T	2,563	E2	20.40	196	91.7	230/460	10.1	2, 8, 60
			254TC	TEBC	IDM2276T	5,423	E2	33.07	332	91	230/460	10.7	2, 8, 70
25	1800	2700	215TC	TEBC	IDM3774T	3,428	E2	29.14	231	92.4	230/460	12.5	2, 8, 70
			215TC	TEBC	IDM3774T-5	3,428	E2	30.07	231	92.4	575	10	2, 8, 70
			256TC	TENV	IDNM2238T	3,213	E2	24.05	286	91.7	230/460	13	2, 8, 60
30	1800	2700	256TC	TEBC	IDM2332T	6,626	E2	33.07	352	91.7	230/460	14.2	2, 8, 70
			256TC	TEBC	IDM2333T	3,726	E2	33.07	318	92.4	230/460	18.1	2, 8, 70
			256TC	TEBC	IDM2333T-5	3,726	E2	34.15	318	92.4	575	14.5	2, 8, 70
40	1800	2700	254TC	TENV	IDNM2333T	3,310	E2	24.05	286	93.6	230/460	18.5	2, 8, 60
			284T	TEBC	IDM4100T	7,855	E2	36.48	450	93	230/460	19.7	2, 8, 45, 70
			256TC	TEBC	IDM2334T	3,980	E2	33.07	333	93	230/460	24	2, 8, 70
50	1800	2700	256TC	TEBC	IDM2334T-5	3,980	E2	34.15	333	93	575	19	2, 8, 70
			284T	TENV	IDNM2334T	4,573	E2	27.36	406	94.5	230/460	25.5	2, 8, 45, 60
			286T	TEBC	IDM4102T	8,844	E2	36.48	455	93	230/460	26	2, 8, 45, 70
25	1800	2700	286T	TEBC	IDM4103T	4,908	E2	36.48	417	93.6	230/460	30	2, 8, 45, 70
			324T	TEBC	IDM4111T	10,079	E2	39.24	557	93	230/460	32	2, 8, 45, 70
30	1800	2700	286T	TEBC	IDM4104T	5,629	E2	36.48	464	93.6	230/460	38	2, 8, 45, 70
			326T	TEBC	IDM4117T	11,217	E2	39.24	628	93	230/460	39	2, 8, 45, 70
40	1800	2700	324T	TEBC	IDM4110T	7,612	E2	39.24	605	94.5	230/460	47	2, 8, 45, 70
50	1800	2700	326T	TEBC	IDM4115T	8,543	E2	39.24	622	94.5	230/460	57	2, 8, 45, 70

(a) See notes on inside back flap. ■ Cast Iron Frame

Constant velocity fan: 115 volts, single phase from 143TC through 184TC and all 575 volt drive motors. Constant velocity fan: 230/460, three phase from 213 TC through 447T. May be converted to C-Face in Mod Express or built as custom motors. Consult District Office for availability of 2 pole motors and C-Face motors for 284T through 5009L frames.

1000:1 CONSTANT TORQUE SPEED RANGE

Definite Purpose Motors
 Unit Handling Motors
 Brake Motors
 IEC Frame Motors
 50 Hertz Motors
 Inverter/Vector Motors & Controls
 DC Motors and Controls
 Gearmotors and Gear Products
 Motor Accessories
 Grinders

Vector, Three Phase, TEBC and TENV, C-Face

1 thru 50 Hp



Features:

- NEMA Premium® efficient designs
- Suitable for sine wave operation
- In-line blower for 1000:1 constant torque
- HS35 encoder, 1024 PPR

Applications:

- Conveyors, pumps, fans, metal processing
- Compressors, test stands, material handling
- Process lines running closed loop
- Crane and hoist

Hp	Base Speed RPM	C.H. Speed RPM	NEMA Frame	Enclosure	Catalog Number	List Price	Mult. Sym.	"C" Dim.	Aprx. Wt. (lb)	Full Load Efficiency	Voltage	Full Load Amps	Notes (a)
1	1800	2700	143TC	TEBC	ZDM3581T	3,291	E2	19.02	66	87.5	230/460	1.5	2, 8, 46, 60
			143TC	TEBC	ZDM3581T-5	3,291	E2	19.02	65	85.5	575	1.2	2, 8, 46
	1200	1800	143TC	TENV	ZDNM3581T	2,872	E2	14.65	59	85.5	230/460	1.5	2, 8, 46
			143TC	TEBC	ZDM3582T	3,594	E2	19.02	62	82.5	230/460	1.8	2, 8, 46
1 1/2	1800	2700	145TC	TEBC	ZDM3584T	3,392	E2	19.02	70	88.5	230/460	2.1	2, 8, 46, 60
			145TC	TEBC	ZDM3584T-5	3,392	E2	19.02	62	87.5	575	1.7	2, 8, 46
	1200	1800	145TC	TENV	ZDNM3584T	3,006	E2	14.65	58	84	230/460	2.3	2, 8, 46
			182TC	TEBC	ZDM3667T	3,849	E2	21.71	99	87.5	230/460	2.5	2, 8, 46
2	1800	2700	145TC	TEBC	ZDM3587T	3,517	E2	19.02	75	88.5	230/460	2.8	2, 8, 46
			145TC	TEBC	ZDM3587T-5	3,517	E2	19.02	74	88.5	575	2.3	2, 8, 46
	1200	1800	182TC	TENV	ZDNM3669T	3,315	E2	17.21	95	84	230/460	2.9	2, 8, 46, 60
			184TC	TEBC	ZDM3664T	3,913	E2	21.71	113	88.5	230/460	3.2	2, 8, 46
3	1800	2700	182TC	TEBC	ZDM3661T	4,065	E2	21.71	112	89.5	230/460	4.1	2, 8, 46
			182TC	TEBC	ZDM3661T-5	4,065	E2	21.71	110	89.5	575	3.2	2, 8, 46
	1200	1800	184TC	TENV	ZDNM3661T	3,543	E2	17.21	104	88.5	230/460	4.2	2, 8, 46, 60
			213TC	TEBC	ZDM3764T	4,636	E2	29.14	187	90.2	230/460	4.5	2, 8, 46, 70
5	1800	2700	184TC	TEBC	ZDM3665T	4,209	E2	21.71	125	90.2	230/460	6.5	2, 8, 46
			184TC	TEBC	ZDM3665T-5	4,209	E2	21.71	125	90.2	575	5.2	2, 8, 46
	1200	1800	213TC	TENV	ZDNM3767T	4,024	E2	20.40	173	91	230/460	6.7	2, 8, 46, 60
			215TC	TEBC	ZDM3768T	5,328	E2	29.14	226	90.2	230/460	7.3	2, 8, 46, 70
7 1/2	1800	2700	213TC	TEBC	ZDM3770T	4,754	E2	29.14	170	91.7	230/460	9.5	2, 8, 46, 70
			213TC	TEBC	ZDM3770T-5	4,754	E2	30.07	170	91.7	575	7.5	2, 8, 46, 70
	1200	1800	256TC	TENV	ZDNM2237T	4,627	E2	24.05	242	90.2	230/460	9.1	2, 8, 46, 60
			254TC	TEBC	ZDM2276T	6,979	E2	33.07	333	91	230/460	10.7	2, 8, 46, 70
10	1800	2700	215TC	TEBC	ZDM3774T	4,982	E2	29.14	231	92.4	230/460	12.5	2, 8, 46, 70
			215TC	TEBC	ZDM3774T-5	4,982	E2	30.07	231	92.4	575	10	2, 8, 46, 70
	1200	1800	256TC	TENV	ZDNM2238T	4,770	E2	24.05	284	91.7	230/460	13	2, 8, 46, 60
			256TC	TEBC	ZDM2332T	8,180	E2	33.07	356	91.7	230/460	14.2	2, 8, 46, 70
15	1800	2700	256TC	TEBC	ZDM2333T	5,282	E2	33.07	317	92.4	230/460	18.1	2, 8, 46, 70
			256TC	TEBC	ZDM2333T-5	5,282	E2	34.15	289	92.4	575	14.5	2, 8, 46, 70
	1200	1800	254TC	TENV	ZDNM2333T	4,866	E2	24.05	286	92.4	230/460	18.5	2, 8, 46, 60
			284T	TEBC	ZDM4100T	9,409	E2	36.48	445	93	230/460	19.7	2, 8, 45, 46, 70
20	1800	2700	256TC	TEBC	ZDM2334T	5,537	E2	33.07	342	93	230/460	24	2, 8, 46, 70
			256TC	TEBC	ZDM2334T-5	5,537	E2	34.15	340	93	575	19	2, 8, 46, 70
	1200	1800	284T	TENV	ZDNM2334T	6,129	E2	27.36	405	94.5	230/460	25.5	2, 8, 45, 46, 60
			286T	TEBC	ZDM4102T	10,401	E2	36.48	462	93	230/460	26	2, 8, 45, 46, 70
25	1800	2700	284T	TEBC	ZDM4103T	6,461	E2	36.48	416	93.6	230/460	30	2, 8, 45, 46, 70
	1200	1800	324T	TEBC	ZDM4111T	11,636	E2	38.92	615	93	230/460	32	2, 8, 45, 46, 70
30	1800	2700	286T	TEBC	ZDM4104T	7,186	E2	36.48	445	93.6	230/460	38	2, 8, 45, 46, 70
	1200	1800	326T	TEBC	ZDM4117T	12,773	E2	38.92	624	93	230/460	39	2, 8, 45, 46, 70
40	1800	2700	324T	TEBC	ZDM4110T	9,166	E2	38.92	610	94.5	230/460	47	2, 8, 45, 46, 70
50	1800	2700	326T	TEBC	ZDM4115T	10,099	E2	38.92	631	94.5	230/460	57	2, 8, 45, 46, 70

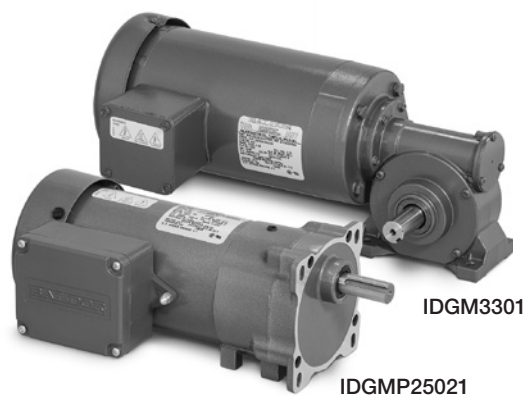
(a) See notes on inside back flap.

Consult District Office for availability of 2 pole motors and C-Face motors for 284T through 5009L frames.

FULL TORQUE AT ZERO SPEED, 1000:1 CONSTANT TORQUE SPEED RANGE.

■ Cast Iron Frame

Inverter Gearmotors – Right Angle and Parallel Shaft



Features:

- Inverter ready insulation systems
- Industry standard foot prints
- High strength bronze gearing in right angle motors
- Hardened helical and spur gearing in parallel shaft designs
- Factory lubricated for life
- Non-vented gear housing
- UL recognized and CSA certified

Applications:

- Conveyors, material handling, packaging, agricultural
- Medical and laboratory equipment

Right Angle Gearmotors

Output RPM 60 Hz.	Max. Safe Torque In. Lbs. @ 60 Hz	Speed Range (CT)	Input Hp	Ratio:1	OHL (lbs)	Catalog Number (a)	List Price	Mult. Sym.	Ap'x. Shpg. Wgt.	Motor Type & Gear Style	Voltage @ 60 Hz
FTA Style											
85	13	28 - 128	1/25	20	1.3	IDGM2401	505	E2	7	2416M-FTA	230
170	9	57 - 255	1/25	10	1.3	IDGM2402	505	E2	7	2416M-FTA	230
340	5	113 - 510	1/25	5	1.3	IDGM2403	505	E2	7	2416M-FTA	230
D Style											
5	75	2 - 8	1/20	310	60	IDGM2301	660	E2	10	2416M-DB	230
18	75	6 - 27	1/20	90	60	IDGM2302	660	E2	10	2416M-DB	230
E Style											
9	175	3 - 14	1/12	180	95	IDGM2512	840	E2	15	2512M-EB	230
17	125	6 - 25	1/12	100	95	IDGM2511	840	E2	15	2512M-EB	230
B Style											
29	30	10 - 44	1/20	60	40	IDGM2406	612	E2	13	2512M-BB	230
85	25	28 - 128	1/15	20	26	IDGM2405	612	E2	13	2512M-BB	230
340	15	113 - 510	1/8	5	5	IDGM2404	612	E2	13	2520M-BB	230
G Style											
6	400	2 - 9	1/8	280	200	IDGM2515	1,036	E2	20	2516M-G	230
14	375	5 - 21	1/6	120	200	IDGM2514	1,036	E2	20	2516M-G	230
28	250	9 - 42	1/6	60	200	IDGM2513	1,036	E2	20	2516M-G	230
K Style											
22	315	7 - 33	3/8	75	120	IDGM2509	868	E2	17	2528M-K	230
28	252	9 - 42	3/8	60	120	IDGM2508	868	E2	17	2528M-K	230
41	228	14 - 62	3/8	40	120	IDGM2506	868	E2	17	2528M-K	230
83	138	28 - 125	3/8	20	120	IDGM2503	868	E2	17	2528M-K	230
165	105	55 - 248	3/8	10	120	IDGM2501	868	E2	17	2528M-K	230
330	68	110 - 495	3/8	5	120	IDGM2500	868	E2	17	2528M-K	230
HK Style											
22	315	7 - 33	3/8	75		IDGHM2509	998	E2	19	2528M-HK	230
28	252	9 - 42	3/8	60		IDGHM2508	998	E2	19	2528M-HK	230
41	228	14 - 62	3/8	40		IDGHM2506	998	E2	19	2528M-HK	230
55	195	18 - 83	3/8	30		IDGHM2504	998	E2	19	2528M-HK	230
83	138	28 - 125	3/8	20		IDGHM2503	998	E2	19	2528M-HK	230
165	105	55 - 248	3/8	10		IDGHM2501	998	E2	19	2528M-HK	230
330	68	110 - 495	3/8	5		IDGHM2500	998	E2	19	2528M-HK	230
J Style											
29	413	10 - 44	1/2	60	125	IDGM3303	942	E2	28	3324M-JH	230
58	355	19 - 86	1/2	30	125	IDGM3302	942	E2	28	3324M-JH	230
170	230	57 - 255	3/4	10	125	IDGM3301	961	E2	30	3332M-JH	230
340	125	113 - 510	3/4	5	80	IDGM3300	961	E2	30	3332M-JH	230

NOTE: (a) Vertical motor below gearhead not recommended.

Avoiding those positions where the high speed oil seal is immersed in oil, will provide greater security against high speed input seal wear.

ATTENTION: Additional ratios, voltages, and ratings are available. Application specific modifications are common, such as custom shaft dimensions, addition of brakes or encoders, specific power cords, and washdown features. Contact your local Baldor representative for assistance. See Gearmotor Section for dimension drawings.

Inverter Gearmotors – Right Angle and Parallel Shaft



Features:

- Inverter ready insulation systems
- Industry standard foot prints
- High strength bronze gearing in right angle motors
- Hardened helical and spur gearing in parallel shaft designs
- Factory lubricated for life
- Non-vented gear housing
- UL recognized and CSA certified

Applications:

- Conveyors, material handling, packaging, agricultural
- Medical and laboratory equipment

Parallel Shaft Gearmotors

Output RPM 60 Hz.	Max. Safe Torque In. Lbs. @ 60 Hz	Speed Range (CT)	Input Hp	Ratio:1	OHL (lbs)	Catalog Number (a)	List Price	Mult. Sym.	Ap'x. Shpg. Wgt.	Motor Type & Gear Style	Voltage @ 60 Hz
PSSH Style											
10	144	3 - 15	1/30	180	125	IDGMP24180	613	E2	11	2412M-PSSH	230
19	144	6 - 29	1/15	90	125	IDGMP24090	613	E2	13	2416M-PSSH	230
28	130	9 - 42	1/15	60	125	IDGMP24060	595	E2	11	2416M-PSSH	230
55	125	18 - 83	1/8	30	125	IDGMP24030	595	E2	14	2424M-PSSH	230
85	142	28 - 128	1/5	20	100	IDGMP24020	561	E2	12	2524M-PSSH	230
167	86	56 - 251	1/4	10	100	IDGMP24010	561	E2	12	2524M-PSSH	230
335	44	112 - 503	1/4	5	100	IDGMP24005	561	E2	12	2524M-PSSH	230
PSM Style											
9	184	3 - 14	1/25	180	130	IDGMP25181	729	E2	16	2412M-PSM	230
19	176	6 - 29	1/15	90	130	IDGMP25091	729	E2	16	2416M-PSM	230
28	204	9 - 42	1/8	60	130	IDGMP25061	698	E2	14	2424M-PSM	230
56	230	19 - 84	1/4	30	130	IDGMP25031	698	E2	18	2524M-PSM	230
84	166	28 - 126	1/4	20	65	IDGMP25021	698	E2	16	2524M-PSM	230
167	86	56 - 251	1/4	10	65	IDGMP25011	667	E2	16	2524M-PSM	230
335	44	112 - 503	1/4	5	65	IDGMP25006	667	E2	16	2524M-PSM	230
PSL & PSLH Style											
10	369	3 - 15	1/15	180	200	IDGMP25182	1,059	E2	20	2516M-PSL	230
19	360	6 - 29	1/8	90	200	IDGMP25092	1,059	E2	20	2516M-PSL	230
28	325	9 - 42	1/6	60	200	IDGMP25063	1,044	E2	18	2516M-PSL	230
41	500	14 - 62	3/8	40	300	IDGMP25062	1,037	E2	20	2528M-PSL	230
43	637	14 - 65	1/2	40	300	IDGMP33040	1,037	E2	28	3324M-PSLH	230
55	350	18 - 83	3/8	30	300	IDGMP2505	1,037	E2	20	2528M-PSL	230
56	247	19 - 84	1/4	30	300	IDGMP25033	1,044	E2	18	2524M-PSL	230
57	482	19 - 86	1/2	30	300	IDGMP33030	1,037	E2	28	3324M-PSLH	230
83	233	28 - 125	3/8	20	300	IDGMP2503	1,012	E2	18	2528M-PSL	230
84	167	28 - 126	1/4	20	300	IDGMP25023	1,025	E2	17	2524M-PSL	230
86	326	29 - 129	1/2	20	300	IDGMP33020	1,012	E2	25	3324M-PSLH	230
115	245	38 - 173	1/2	15	300	IDGMP33015	1,012	E2	25	3324M-PSLH	230
165	116	55 - 248	3/8	10	300	IDGMP2501	1,012	E2	18	2528M-PSL	230
167	85	56 - 251	1/4	10	300	IDGMP25013	1,025	E2	17	2524M-PSL	230
172	164	57 - 258	1/2	10	300	IDGMP33010	1,012	E2	25	3324M-PSLH	230
330	58	110 - 495	3/8	5	300	IDGMP2500	1,012	E2	18	2528M-PSL	230
335	44	112 - 503	1/4	5	300	IDGMP25008	1,025	E2	17	2524M-PSL	230
345	82	115 - 518	1/2	5	300	IDGMP33005	1,012	E2	25	3324M-PSLH	230

NOTE:

(a) Vertical motor below gearhead not recommended.

Avoiding those positions where the high speed oil seal is immersed in oil, will provide greater security against high speed input seal wear.

ATTENTION: Additional ratios, voltages, and ratings are available. Application specific modifications are common, such as custom shaft dimensions, addition of brakes or encoders, specific power cords, and washdown features. Contact your local Baldor representative for assistance.

See Gearmotor Section for dimension drawings.

Definite Purpose Motors

Unit Handling Motors

Brake Motors

IEC Frame Motors

50 Hertz Motors

Inverter/Vector Motors & Controls

DC Motors and Controls

Gearmotors and Gear Products

Motor Accessories

Grinders

Inverter Gearmotors – Right Angle and Parallel Shaft

Parallel Shaft Gearmotors

Output RPM 60 Hz.	Max. Safe Torque In. Lbs. @ 60 Hz	Speed Range (CT)	Input Hp	Ratio:1	OHL (lbs)	Catalog Number (a)	List Price	Mult. Sym.	Ap'x. Shpg. Wgt.	Motor Type & Gear Style	Voltage @ 60 Hz
PS1200 Style											
12	1092	4 - 18	1/4	145	442	IDGMP12145	1,265	E2	35	3416M-PS12	230
18	1076	6 - 27	1/3	96	395	IDGMP12096	1,265	E2	35	3416M-PS12	230
21	911	7 - 32	1/3	82	285	IDGMP12082	1,265	E2	35	3416M-PS12	230
40	742	13 - 59	1/2	44	339	IDGMP12044	1,314	E2	40	3420M-PS12	230
60	509	20 - 89	1/2	29	326	IDGMP12029	1,314	E2	40	3420M-PS12	230
92	327	30 - 135	1/2	19	311	IDGMP12019	1,314	E2	40	3420M-PS12	230
131	229	44 - 198	1/2	13	292	IDGMP12013	1,314	E2	40	3420M-PS12	230
156	192	52 - 234	1/2	11	282	IDGMP12011	1,314	E2	40	3420M-PS12	230
284	105	96 - 430	1/2	6	245	IDGMP12006	1,314	E2	40	3420M-PS12	230

NOTE: (a) Vertical motor below gearhead not recommended.

Avoiding those positions where the high speed oil seal is immersed in oil, will provide greater security against high speed input seal wear.

ATTENTION: Additional ratios, voltages, and ratings are available. Application specific modifications are common, such as custom shaft dimensions, addition of brakes or encoders, specific power cords, and washdown features. Contact your local Baldor representative for assistance. See Gearmotor Section for dimension drawings.

Red Catalog Number indicates **NEW** Product.

Feedback Cable Assembly with MS Connector



Features:

- Cables with MS twist lock connectors
- Various lengths
- Twisted pair shielded for electrical noise protection

Applications:

- For any MS twist lock encoder connector
- AC or DC motor applications

Catalog Number	Cable Extension Length	List Price	Mult. Sym.	Ap'x Shpg. Wgt.
CBL015ZD-2	5 Ft = 1.5 Meters	198	E8	1
CBL030ZD-2	10 Ft = 3 Meters	230	E8	1
CBL046ZD-2	15 Ft = 4.6 Meters	263	E8	2
CBL061ZD-2	20 Ft = 6.1 Meters	291	E8	2
CBL091ZD-2	30 Ft = 9.1 Meters	355	E8	3
CBL152ZD-2	50 Ft = 15.2 Meters	477	E8	6
CBL229ZD-2	75 Ft = 22.9 Meters	632	E8	8
CBL305ZD-2	100 Ft = 30.5 Meters	787	E8	8
CBL379ZD-2	125 Ft = 37.9 Meters	943	E8	14
CBL455ZD-2	150 Ft = 45.5 Meters	1,023	E8	15
CBL606ZD-2	200 Ft = 60.6 Meters	1,407	E8	16

Connector Transition (Patch) Cables

MS Twist Lock (MS-TL) to MS Screw Tight (MS-ST) and MS Screw Tight (MS-ST) to MS Twist Lock (MS-TL)



Features:

- Transition from MS twist-lock (female) to MS screw-tight (male)
- Transition from MS screw-tight (female) to MS twist-lock (male)
- 10 pin connector style

Applications:

- MS-ST to MS-TL compatible with stock cable lengths up to 200 feet

Catalog Number	Type	List Price	Mult. Sym.	Ap'x Shpg. Wgt.
CBLTL2ST	MS-TL to MS-ST	400	E8	2
CBLST2TL	MS-ST to MS-TL	400	E8	2

Encoder Feedback Kits for IDM, IDNM and IDWNM Motors

For use with Legacy Baldor Motor Designs

Does not fit some legacy 180-440 EM, CP or ECP motors. Contact District Office.



ENC00NV-B1

Features:

- 1024 Encoder with MS twist lock connector
- HS35, HS35M, HS35R and HS25

Applications:

- For IDM, IDNM and IDWNM motors



ENC02BC-B2

Catalog Number	Type Enclosure	Description	Magnetic or Optical	Connector Type	Input Voltage	Output Voltage Limited	NEMA Frame	List Price	Mult. Sym.	Ap'x. Shpg. Wgt.
ENC00NV-A2	TENV	HS35M Avtron	Magnetic	TL	5-24 VDC	24	213T-215T	1,442	E8	1
ENC00NV-B1	TENV	HS25 BEI	Optical	TL	5-15 VDC	15	56-215T	1,442	E8	2
ENC00NV-D2	TENV	HS35R Dynapar	Optical	TL	5-26 VDC	26	56-215T	2,158	E8	4
ENC00NV-D1 (1)	TENV	HS35 Dynapar	Optical	TL	5-24 VDC	5	56-215T	1,622	E8	4
ENC01BC-B1	TEBC	HS25 BEI	Optical	TL	5-15 VDC	15	143T-215T	1,442	E8	3
ENC01BC-D2	TEBC	HS35R Dynapar	Optical	TL	5-26 VDC	26	56-215T	2,158	E8	4
ENC01BC-D1 (1)	TEBC	HS35 Dynapar	Optical	TL	5-24 VDC	5	56-215T	1,622	E8	4
ENC01NV-A2	TENV	HS35M Avtron	Magnetic	TL	5-24 VDC	24	254T-256T	1,442	E8	1
ENC01NV-B2	TENV	HS35 BEI	Optical	TL	5-15 VDC	15	254T-284T	1,442	E8	2
ENC01NV-D2	TENV	HS35R Dynapar	Optical	TL	5-26 VDC	26	254T-256T	2,158	E8	4
ENC01NV-D1 (1)	TENV	HS35 Dynapar	Optical	TL	5-24 VDC	5	254T-256T	1,622	E8	4
ENC02BC-A2	TEBC	HS35M Avtron	Magnetic	TL	5-24 VDC	24	254T-447T	1,442	E8	1
ENC02BC-B2	TEBC	HS35 BEI	Optical	TL	5-15 VDC	15	254T-447T	1,631	E8	2
ENC02BC-D2	TEBC	HS35R Dynapar	Optical	TL	5-26 VDC	26	254T-447T	1,622	E8	4
ENC02BC-D1 (1)	TEBC	HS35 Dynapar	Optical	TL	5-24 VDC	5	254T-447T	1,622	E8	4

NOTE: For 56 and 140 IDVSM frame sizes use the kits from the table above.

(1) Being phased out

Definite Purpose Motors

Unit Handling Motors

Brake Motors

IEC Frame Motors

50 Hertz Motors

Inverter/Vector Motors & Controls

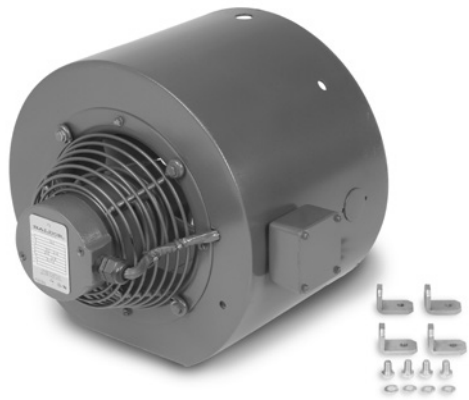
DC Motors and Controls

Gearmotors and Gear Products

Motor Accessories

Grinders

Constant Velocity Blower Cooling Conversion Kits



For use with Legacy Baldor Motor Designs

Does not fit some legacy 180-440 EM, CP or ECP motors. Contact District Office.

Features:

- Convert TENV & TEFC to TEBC

Applications:

- For use with legacy Baldor motor designs
- Not suitable for some EM, CP or ECP motors

Voltage	Phase	NEMA Frame	Catalog Number	List Price	Mult. Sym.	Ap'x. Shpg. Wgt.
115	1	143TC-145TC	BLWL05-L	814	E8	7
		182TC-184TC	BLWL06-L	917	E8	8
		213TC-215TC	BLWL07-L	982	E8	21
		254TC-256TC	BLWL09-L	1,068	E8	28
		284TC-286TC	BLWL10-L	1,098	E8	35
		324TC-326TC	BLWL12-L	1,134	E8	46
		364TC-365TC	BLWL14-L	1,218	E8	55
230/380/460	3	213TC-215TC	BLWM07-F	982	E8	20
		254TC-256TC	BLWM09-F	1,068	E8	30
		284TC-286TC	BLWM10-F	1,098	E8	35
		324TC-326TC	BLWM12-F	1,198	E8	46
		364TC-365TC	BLWM14-F	1,219	E8	55
		404TC-405TC	BLWM16-F	1,704	E8	70
		444TC-447TC	BLWM18-F	2,387	E8	87

NOTE: Blower cooling conversion kits should be further selected by Baldor motor type as noted within the catalog number. As an example: BLWM10-F fits a 310M type also built as a 324-326TC. Does not fit Athens-built 180-440 M, CP or ECP motors.

Definite Purpose Motors

Unit Handling Motors

Brake Motors

IEC Frame Motors

50 Hertz Motors

Inverter/Vector Motors & Controls

DC Motors and Controls

Gearmotors and Gear Products

Motor Accessories

Grinders

AC Drives Selection Chart

	ACS55	ACS150	ACS250	ACS250 NEMA 4X	ACS310
Unit Handling Motors					
Brake Motors					Control Panel Not Included

Main Attributes					
Starter-style Micro Drive; V/Hz Control, DIN or Panel Mounting, DIP switches and potentiometer configuration, built-in EMC filter.	Component-style Micro Drive; V/Hz Control, DIN or panel mounting, integral LCD control panel and integrated potentiometer, built-in EMC filter.	Starter-style Micro Drive; V/Hz Control, integral LED display, Built-In PI Loop; DIN or Panel Mounting.	NEMA 4X Enclosure Micro Drive; V/Hz Control; integral control panel, Built-In start/stop, speed potentiometer and disconnect switches.	General purpose Micro Drive; V/Hz control, PID control, pump/fan control and protections, quick start assistant, removable LCD control panel, built-in EMC filter.	
Hp Range					
1~115 V - 0.25 to 0.5 Hp		115 V - 0.5 to 1.5 Hp	1~115 V - 0.5 to 1.5 Hp		
1~230 V - 0.25 to 3 Hp	1~230 V - 0.5 to 3 Hp		1~230 V - 0.5 to 3 Hp	1~230 V - 0.5 to 5 Hp	
	3~230 V - 0.5 to 3 Hp		3~230 V - 0.5 to 5 Hp	3~230 V - 0.5 to 10 Hp	
	3~460 V - 0.5 to 5 Hp		3~460 V - 1 to 10 Hp	3~460 V - 1 to 30 Hp	
		3~600 V - 0.75 - 20 Hp	3~600 V - 0.75 to 15 Hp		
Voltage Range					
1~115 V In / 3~230 V Out		1~120 V In / 3~ 230 V Out	1~115 V In / 3~230 V Out		
1~230 V In / 3~230 V Out	1~230 V In / 3~230 V Out		1~230 V In / 3~230 V Out	1~230 V In / 3~230 V Out	
	3~230 V In / Out		3~230 V In / Out	3~230 V In / Out	
	3~460 V In / Out		3~460 V In / Out	3~460 V In / Out	
		3~600 V In / Out	3~600 V In / Out		
Enclosure Type					
	UL Type 0 (IP20)			UL Type 0 (IP20)	
UL Type 0 (IP20)	UL Type 1 Kit - Option	UL Type 0 (IP20)	NEMA 4X (IP66)	UL Type 1 Kit - Option	
Motor Control Mode					
Scalar (V/Hz)	Scalar (V/Hz)	Scalar (V/Hz)	Scalar (V/Hz)	Scalar (V/Hz)	
Motor Type					
Induction Motor	Induction Motor	Induction Motor	Induction Motor	Induction Motor	
Communications Options					
N.A.	N.A.	Embedded Modbus-RTU	Embedded Modbus-RTU	Embedded Modbus-RTU	
Operator Interface (Control Panel)					
DIP switches and potentiometer or PC tool parameter configuration	Integral LCD control panel and integrated potentiometer. FlashDrop configurable	Integral LED and/or remote mount LED	Integral LED and/or remote mount LED control panel; Copycat Capability; Speed Pot; Fwd/Rev Switch; Input Disconnect	Integral or remote mount LCD control panel. Parameter upload and download capable. Assistants mode for quick start-up, DriveWindow Light and FlashDrop configurable.	

Definite Purpose Motors

Unit Handling Motors

Brake Motors

IEC Frame Motors

50 Hertz Motors

Inverter/Vector Motors & Controls





DC Motors and Controls

Gearmotors and Gear Products

Motor Accessories

Grinders

AC Drives Selection Chart

ACS355	ACS355 NEMA 4X	ACB530	ACB530 +L502
			
Control Panel Not Included			
Main Attributes			
Machinery Micro Drive; Open Loop vector or V/Hz control, permanent magnet or induction motor control, PID control, removable LCD, built-in EMC filter, optional advanced or basic LCD control panel.	UL Type 4X Machinery Micro Drive; NSF certified enclosure, Open Loop vector or V/Hz control, permanent magnet or induction motor control, built-in EMC filter PID control, optional built-in disconnect.	Sensorless Vector or V/Hz Control, PID Control, Quick Start Assistant, UL Type 1 or UL Type 12 Enclosure, Easy to use keypad Hp ratings up to 550 Hp	Closed-Loop Vector, Sensorless Vector or V/Hz Control, PID Control, Quick Start Assistant, UL Type 1 or UL Type 12 Enclosure, Easy to use keypad Hp ratings up to 550 Hp
Hp Range			
		1~230 V - 0.75 to 40 Hp	1~230 V - 0.75 to 40 Hp
1~230 V - 0.5 to 3 Hp	1~230 V - 0.5 to 2 Hp	3~230 V - 1.5 to 100 Hp	3~230 V - 1.5 to 100 Hp
3~230 V - 0.5 to 15 Hp	3~230 V - 0.5 to 5 Hp	3~460 V - 1.5 to 550 Hp	3~460 V - 1.5 to 550 Hp
3~460 V - 1 to 30 Hp	3~460 V - 1 to 10 Hp	3~600 V - 1.5 to 150 Hp	3~600 V - 1.5 to 150 Hp
Voltage Range			
		230V 1 Phase	230V 1 Phase
1~230 V In / 3~230 V Out	1~230 V In / 3~230 V Out	208-240V 3 Phase	208-240V 3 Phase
3~230 V In / Out	3~230 V In / Out	380-480V 3 Phase	380-480V 3 Phase
3~460 V In / Out	3~460 V In / Out	500-600V 3 Phase	500-600V 3 Phase
Enclosure Type			
UL Type 0 (IP20)		NEMA 1 (UL Type 1) - 3/4-350 Hp	NEMA 1 (UL Type 1) - 3/4-350 Hp
UL Type 1 Kit - Option	UL Type 4X (IP66)	NEMA 12 (UL Type 12) - 3/4-550 Hp	NEMA 12 (UL Type 12) - 3/4-550 Hp
Motor Control Mode			
Open Loop Vector or Scalar (V/Hz)	Open Loop Vector or Scalar (V/Hz)	Sensorless Vector or V/Hz	Closed-Loop Vector, Sensorless Vector or V/Hz
Motor Type			
Permanent Magnet or Induction Motor	Permanent Magnet or Induction Motor	Induction Motor	Induction Motor
Communications Options			
CANopen, DeviceNet, EtherNet/IP, EtherCAT, Modbus-RTU, Modbus/TCP, PROFIBUS, Profinet-IO	CANopen, DeviceNet, EtherNet/IP, EtherCAT, Modbus-RTU, Modbus/TCP, PROFIBUS, Profinet-IO	Built-in Modbus-RTU, Optional: DeviceNet, PROFIBUS, Modbus/TCP, EtherNet/IP, ControlNet, EtherCAT	Built-in Modbus-RTU, Optional: DeviceNet, PROFIBUS, Modbus/TCP, EtherNet/IP, ControlNet, EtherCAT
Operator Interface (Control Panel)		Differentiating Features	
Integral or remote mount LCD control panel, optional potentiometer with start/stop switches. Parameter upload and download capable. Assistants mode for quick start-up, DriveWindow Light and FlashDrop configurable.		Advanced Control Panel standard, with two soft keys that change according to state of panel, Local / Remote control modes, Built-in "Help" button, Real-time clock, Changed Parameter menu	Advanced Control Panel standard, with two soft keys that change according to state of panel, Local / Remote control modes, Built-in "Help" button, Real-time clock, Changed Parameter menu

Definite Purpose Motors

Unit Handling Motors

Brake Motors

IEC Frame Motors

50 Hertz Motors

Inverter/Vector Motors & Controls

DC Motors and Controls

Gearmotors and Gear Products

Motor Accessories

Grinders



**ACS55
AC Micro Drive**



1/4 & 1/2 Hp - No EMC Filter	115 Vac	1 Phase - 50/60 Hz
1/4 thru 3 Hp - No EMC Filter	230 Vac	1 Phase - 50/60 Hz
1/4 & 1/2 Hp - Built-In EMC Filter	115 Vac	3 Phase - 50/60 Hz
1/4 thru 3 Hp - Built-In EMC Filter	230 Vac	3 Phase - 50/60 Hz

Applications: Conveyor, gate control, material handling, printing, packaging machinery variable torque or constant torque applications. New installation, replacement and original equipment manufacturer (OEM).

Features: Compact size replaces contactors and starters, fast setup, easy configuration. Scalar (Volts per Hertz), with peak overload capacity of 150%, IP20 enclosure. Flexible mounting options - Wall mounting with bracket or DIN rail mounting in either wide or narrow orientation. Option kit has speed potentiometer with two switches Run/Stop and Fwd/Rev, Serial or USB DriveConfig Kit available for volume configuration of un-powered drives.

Performance Features	Control Modes	Scalar V/Hz
	Operator Interface Module	Control potentiometers and dip switches, Optional speed potentiometer and control switches
	Fault Display	Green and red status indication LED's
	Programmable Preset Speeds	Three (When Programmed with DriveConfig)
	Auto Restart	10 in three minutes
	Digital Inputs	Three, Dedicated: Start, Reverse, & Jog
	Digital Inputs Type	12 to 24 VDC, (10V Logic 0) with internal 12 VDC power supply (12 VDC, +/-10%, 30mA max.)
Drive Specifications	Analog Inputs: One	0-10 VDC, -10 to 10 VDC or 0/4 - 20mADC
	Digital Outputs: One	One programmable relay output, Type: NO + NC, Switching capacity: 12-250 VAC / 30 VDC / 0.5A, Current: 10mA - 2A
	Overload Capacity	Drive Output 150% for 1 min., 180% for 2 sec. at start
	Input Voltage Ranges:	110 - 120 VAC, 1-phase & 200 - 240 VAC, 1-phase
	Input Voltage Tolerance	10% / -15%
	Rated Input Frequency	48 to 63 Hz, maximum rate of change = 17% / sec
	Carrier Frequency:	5-16 kHz (5 kHz default)
	Operating Temperature:	-20° to 40°C; no frost allowed, 50°C if continuous output current is maximum 85% of nominal output current
	Volts/Hz	Scalar, selectable for linear (CT) or square function (VT)
	Frequency Control Range:	0-130 Hz
	Accel/Decel:	One setting by control potentiometer
	Time Range:	0.0 to 30 Seconds
	Electronic Motor Overload	Over Current Trip
	Protective Features	Under Voltage Trip Limit
Over Voltage Trip Limit		130% of Input Voltage
Ground Fault Protection		Yes
Output Short Circuit		Yes
Over Temperature		Heatsink Monitor (90°C / 203°F)
Motor Overtemp		Yes
DC Bus Overvoltage		DC Bus Level Trip
IGBT Overtemp		Yes
Over Current		Protected
Loss of Reference		Yes
Agency Certifications		
Service Conditions	Altitude:	1,000 m (3,300 ft.). Derate by 1% every 100 m (328 ft.) up to 2,000m (6,600 ft.)
	Ambient Temperature:	-20° to 40°C; no frost allowed, 50°C if continuous output current is maximum 85% of nominal output current
	Relative Humidity:	0% to 95%, non-condensing
	Intermittent Overload:	150% overload capacity for up to 1 minute
	Vibration	In accordance with ISTA 1A

Definite Purpose Motors

Unit Handling Motors

Brake Motors

IEC Frame Motors

50 Hertz Motors

Inverter/Vector Motors & Controls

DC Motors and Controls

Gearmotors and Gear Products

Motor Accessories

Grinders

ACS55 Ratings & Pricing

Catalog Number	Hp	kW	Output Amps	Braking Chopper	Frame Size	List Price	Multiplier Symbol
Input voltage = 110 - 120V, 1-phase / Output = 230V, 3-Phase (Drive with no EMC filter)							
ACS55-01N-01A4-1	0.25	0.18	1.4	-	A	156	EN
ACS55-01N-02A2-1	0.5	0.37	2.2	-	A	175	EN
Input voltage = 200 - 240V, 1-phase / Output = 230V, 3-Phase (Drive with no EMC Filter)							
ACS55-01N-01A4-2	0.25	0.18	1.4	-	A	156	EN
ACS55-01N-02A2-2	0.5	0.37	2.2	-	A	175	EN
ACS55-01N-04A3-2	1	0.75	4.3	-	B	212	EN
ACS55-01N-07A6-2	2	1.5	7.6	-	C	265	EN
ACS55-01N-09A8-2	3	2.2	9.8	-	C	307	EN
Input voltage = 110 - 120V, 1-phase / Output = 230V, 3-Phase (Drive with built-in EMC filter)							
ACS55-01E-01A4-1	0.25	0.18	1.4	-	A	211	EN
ACS55-01E-02A2-1	0.5	0.37	2.2	-	A	230	EN
Input voltage = 200 - 240V, 1-Phase / Output = 230V, 3-Phase (Drive with built-in EMC filter)							
ACS55-01E-01A4-2	0.25	0.18	1.4	-	A	211	EN
ACS55-01E-02A2-2	0.5	0.37	2.2	-	A	230	EN
ACS55-01E-04A3-2	1	0.75	4.3	-	B	266	EN
ACS55-01E-07A6-2	2	1.5	7.6	-	D	338	EN
ACS55-01E-09A8-2	3	2.2	9.8	-	D	402	EN

NOTES:

- (1) Refer to User Manual 3AFE68929300 for complete technical information
- (2) See following page for weights and dimensions

Definite Purpose Motors

Unit Handling Motors

Brake Motors

IEC Frame Motors

50 Hertz Motors

Inverter/Vector Motors & Controls

DC Motors and Controls

Gearmotors and Gear Products

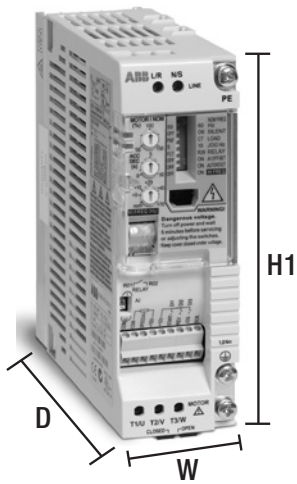
Motor Accessories

Grinders

ACS55 Option Kits

Catalog Number	Name	List Price	Mult. Sym.
ACS55-POT	Potentiometer, Run/Stop & Fwd/Rev	20	ES
RFDT-02	DriveConfig Kit (USB) The DriveConfig Kit is a PC tool for volume configuration and control of ACS55 drives. The kit enables parameter setting and software updating without the need for a power connection during configuration. The DriveConfig Kit features on-line drive control and monitoring of up to four signals simultaneously. DriveConfig kit includes: <ul style="list-style-type: none"> • Hardware and cables • PC software • User manual in English (hard copy and PDF) • Battery charger • USB adapter 	700	ES

ACS55 Dimensions



Frame Size	H1 (in)	H2* (in)	W (in)	D (in)	Weight (lb)
A	6.69	5.77	1.77	5.04	1.5
B	6.69	5.77	2.66	5.04	1.5
C	7.60	6.70	2.80	6.30	2.4
D	8.90	8.00	2.70	6.20	2.4

*H2 is without mounting clip

Definite Purpose Motors

Unit Handling Motors

Brake Motors

IEC Frame Motors

50 Hertz Motors

Inverter/Vector Motors & Controls

DC Motors and Controls

Gearmotors and Gear Products

Motor Accessories

Grinders

ACS150 AC Micro Drive

1/2 thru 3 Hp	230 Vac	1 Phase - 50/60 Hz
1/2 thru 3 Hp	230 Vac	3 Phase - 50/60 Hz
1/2 thru 5 Hp	460 Vac	3 Phase - 50/60 Hz



Applications: Conveyor, gate control, material handling, pump, printing, packaging, food and beverage. Any variable torque or constant torque applications where vector control is not required. New installation, replacement and original equipment manufacturer (OEM).

Features: Scalar control for linear (CT) or squared (VT) applications with peak overload capacity of 150% and PID capability. Flexible mounting options - wall with bracket or DIN Rail. IP20 enclosure as standard and NEMA1 option kit. Integrated control panel with keypad and LCD display, integrated speed potentiometer. FlashDrop programming tool for fast and easy parameter selecting and setting of unpowered drives. Easy setup and commissioning with ABB common programming structure. Fast setup with macros. Built-in braking chopper allows connection to remote braking resistor for enhanced performance needs.

Performance Features	Control Modes	Scalar (V/Hz)
	Operator Interface Module	Integral Drive Mounted with speed potentiometer
	Keypad Display	LCD Graphical Display
	Programmable Preset Speeds	Seven
	Analog Outputs	None
	Auto Restart	Yes – Up to 5 attempts
	Frequency Avoidance	Three Bands
	Fault History	Last Three Faults
	Digital Inputs	Five Programmable Inputs including pulse train input
	Digital Inputs Type	PNP & NPN, 12-24 VDC, (10V logic 0), Pulse train 0 to 16 kHz
Drive Specifications	Analog Inputs: One	0-10 VDC or 0/4 - 20mADC
	Digital Outputs: One	Programmable Relay Output, NO + NC, 12-250 VAC / 30 VDC
	Overload Capacity	Drive Output 150% for 1 min.
	Input Voltage Ranges:	200 - 240 VAC; 380 - 480 VAC
	Input Voltage Tolerance	10% / -10%
	Rated Input Frequency	48 to 63 Hz, maximum rate of change 17% / second
	Carrier Frequency:	4-16 kHz (4 kHz default)
	Operating Temperature:	-10° to 40°C; -10° to 50°C w/ 10% derate
	Dynamic Braking	Built-in braking chopper (100% braking capability)
	DC Injection Braking:	Yes
	Flux Optimization:	Can improve efficiency up to 10% on light loads
	Volts/Hz	Selectable for linear (CT) or square function (VT)
	Frequency Control Range:	0-500 Hz
	Accel/Decel:	Two independently adjustable sets of ramps
	Time Range:	0.0 to 1800 Seconds
	S Curve Accel. & Decel.	Yes, with adjustable rounding time
	Keypad Speed Control	Yes
	Sink/Source Inputs	Selectable, 24 VDC logic
	Electronic Motor Overload	Protected: Over Current & Over Temp
	PID Control	One with PID macro setup
EMC Filter	2nd Environment - disconnectable	
Application Macros	Seven, including Three-wire, Hand/Auto, and PID Control	
Protective Features	Under Voltage Trip Limit	65% of input voltage
	Over Voltage Trip Limit	130% of input voltage
	Ground Fault Protection	Motor or motor cables
	Output Short Circuit	Phase-to-phase on drive output
	Drive Overtemperature	Heatsink monitor (90°C / 203°F)
	Motor Overtemperature	Protected (I ² t)
	Motor Stall	Motor operating in stall region
	DC Bus Overvoltage	DC bus level trip
	IGBT Overtemperature	Detects IGBT overtemp
	Over Current	Over-current trip limit up to 325%
	Incorrect Wiring	Fault for input cables connected to output
	Loss of Reference	Trips on loss of speed command signal
	Underload	Motor load too low, load disconnected
	Single Phase	Loss of input phase
	Agency Certifications	UL, cUL, CE, C-tick, RoHS, GOST-R
Service Conditions	Altitude:	1,000 m (3,300 ft.). Derate by 1% every 100 m (328 ft.) up to 2,000m (6,600 ft.)
	Ambient Temperature:	-20° to 40°C; no frost allowed, 50°C if continuous output current is maximum 85% of nominal output current
	Relative Humidity:	0% to 95%, non-condensing
	Intermittent Overload:	150% overload capacity for up to 1 minute

Definite Purpose Motors

Unit Handling Motors

Brake Motors

IEC Frame Motors

50 Hertz Motors

Inverter/Vector Motors & Controls

DC Motors and Controls

Gearmotors and Gear Products

Motor Accessories

Grinders



ACS150 – 240Vac Ratings & Pricing

Catalog Number	Hp	kW	Output Amps	Braking Chopper	Frame Size	List Price	Multiplier Symbol
Input voltage = 200 - 240V, 1-phase / Output = 230V, 3-phase							
ACS150-01U-02A4-2	0.5	0.37	2.4	✓	R0	216	E0
ACS150-01U-04A7-2	1	0.75	4.7	✓	R1	270	E0
ACS150-01U-06A7-2	1.5	1.1	6.7	✓	R1	311	E0
ACS150-01U-07A5-2	2	1.5	7.5	✓	R2	352	E0
ACS150-01U-09A8-2	3	2.2	9.8	✓	R2	417	E0
Input voltage = 200 - 240V, 3-phase / Output = 230V, 3-phase							
ACS150-03U-02A4-2	0.50	0.37	2.4	✓	R0	216	E0
ACS150-03U-03A5-2	0.75	0.55	3.5	✓	R0	243	E0
ACS150-03U-04A7-2	1	0.75	4.7	✓	R1	270	E0
ACS150-03U-06A7-2	1.5	1.1	6.7	✓	R1	311	E0
ACS150-03U-07A5-2	2	1.5	7.5	✓	R1	352	E0
ACS150-03U-09A8-2	3	2.2	9.8	✓	R2	417	E0
Input voltage = 380 - 480V, 3-phase / Output = 460V, 3-phase							
ACS150-03U-01A2-4	0.50	0.37	1.2	✓	R0	305	E0
ACS150-03U-01A9-4	0.75	0.55	1.9	✓	R0	316	E0
ACS150-03U-02A4-4	1	0.75	2.4	✓	R1	328	E0
ACS150-03U-03A3-4	1.5	1.1	3.3	✓	R1	362	E0
ACS150-03U-04A1-4	2	1.5	4.1	✓	R1	396	E0
ACS150-03U-05A6-4	3	2.2	5.6	✓	R1	441	E0
ACS150-03U-08A8-4	5	4.0	8.8	✓	R1	564	E0

NOTES:

- (1) Refer to User Manual 3AFE68576032 for complete technical information
- (2) See following page for weights and dimensions

Definite Purpose Motors

Unit Handling Motors

Brake Motors

IEC Frame Motors

50 Hertz Motors

Inverter/Vector Motors & Controls

DC Motors and Controls

Gearmotors and Gear Products

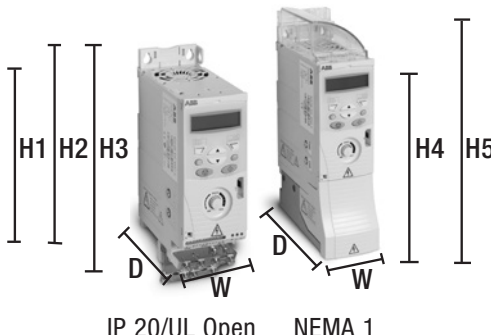
Motor Accessories

Grinders

ACS150 Option Kits

Catalog Number	Name		List Price	Mult. Sym.
MFDT-01	FlashDrop	FlashDrop is a powerful palm sized tool for fast and easy parameter selecting and setting. Only the parameters needed in the application are visible. The tool can upload/download parameters, copy parameters between two drives or between a PC and a drive. Includes DrivePM (Drive Parameter Manager) a software tool that can create, edit and copy parameter sets for FlashDrop. The parameter sets can consist of all parameters or only a set of the user parameters.	600	ES
MUL1-R1	NEMA 1 Enclosure Kit	This option provides the necessary hardware to modify the ACS150 drive from the standard fingersafe protected chassis to NEMA 1 protection capable of landing conduit. MUL1-R1 kit is used with frame sizes R0 through R2.	75	ES

ACS150 Dimensions

 IP 20/UL Open NEMA 1	Frame Size	IP20 (cabinet) / UL Open						NEMA 1 / UL Type 1				
		H1 (in)	H2 (in)	H3 (in)	W (in)	D (in)	Wt. (lb)	H4 (in)	H5 (in)	W (in)	D (in)	Wt. (lb)
	R0	6.65	7.95	9.41	2.76	5.59	2.4	10.12	11.02	2.76	5.59	3.3
	R1	6.65	7.95	9.41	2.76	5.59	2.9 / 2.61	10.12	11.02	2.76	5.59	3.7 / 3.52
	R2	6.65	7.95	9.41	4.13	5.59	3.3	10.12	11.1	4.13	5.59	4.2

¹ U_N = 200...240 V: 1.3 kg / 2.9 lb, U_N = 380...480 V: 1.2 / 2.9 lb.

² U_N = 200...240 V: 1.7 kg / 3.7 lb, U_N = 380...480 V: 1.6 / 3.5 lb.

H1 = Height without fastenings and clamping plate

H2 = Height with fastenings but without clamping plate

H3 = Height with fastenings and clamping plate

H4 = Height with fastenings and NEMA 1 connection box

H5 = Height with fastenings, NEMA 1 connection box and Hood



**ACS250 IP20
AC Micro Drive**

**1/2 thru 1/5 Hp
1 thru 20 Hp**

**115 Vac 1 Phase - 50/60 Hz
600 Vac 3 Phase - 50/60 Hz**

Applications: Applications with 115V (for 230V motors) and 600V supply power: conveyors, mixers, pumps, fans, food and beverage variable torque, constant torque or constant horsepower applications. Compact size replaces motor starters/soft starters. New installation, replacement and original equipment manufacturer (OEM).

Features: V/Hz control for linear (CT) or squared (VT) applications or Sensorless Vector Control (600V only). Overload capacity of 150% for 60 seconds or 175% for two seconds. Built in PI control. IP20 enclosure with wall or DIN rail mounting. Remote mount keypad option kit. Integrated keypad with operator interface and local speed control. Optional drive parameter copying tool. Easy setup and commissioning with ABB common programming structure. Quick start macros for fast commissioning and start-up Built-in braking chopper allows connection to remote braking resistor for enhanced performance needs. Built-in Modbus RTU and relay option kit allows fast system integration.



Performance Features	Control Mode	115 VAC: V/Hz 600 VAC: V/Hz and open loop vector
	Operator Interface Module	Integral Drive Mounted
	Keypad Display	6-character LED display
	Programmable Preset Speeds	Four
	Analog Outputs: one	One (0-10 VCD)
	Auto Restart	Yes – Up to 5 attempts
	Frequency Avoidance	One band
	Fault History	Last four faults
	Digital Inputs: four	Two programmable digital inputs, two user selectable analog/digital inputs
	Drive Specifications	Analog Inputs: two
Relay Outputs: one		Built-in form C relay, 250 VAC, 6A / 30 VDC, 5A
Analog Output / Digital Output		0-10 VDC: one analog usable for meter (freq., current, voltage) or digital output
Overload Capacity		Drive Output 150% for 1 minute and 175% for 2 seconds
Maximum Load		1.5 Hp @ 120 V In/230 V Out, 20 Hp @ 600 V In/Out
Input Voltage Ranges:		115 VAC (99-126); 600 VAC (450-660)
Rated Input Frequency		50-60 Hz (±5%)
Safe Torque Off		600V only: SIL2 rating
Carrier Frequency:		4-32 kHz (8 kHz default)
Operating Temperature:		-10° to 50°C
Dynamic Braking:		Built-in brake chopper in frames 2 & 3
External Braking Resistor		Up to 150% dynamic braking with properly sized resistor
DC Injection Braking:		Included
Volts/Hz		Linear V/Hz, user defined, energy optimizer & boost function
Frequency Control Range:		0-500 Hz
Accel/Decel:		Independently adjustable accel. & decel. Ramps
Time Range:		0.0 to 600.0 Seconds
Keypad Speed Control		Yes
Sink/Source Inputs		Source, 24 VDC Logic
Electronic Overload Trip		Electronic motor overload inverse 150% for 1 minute or 175% for 2 seconds
Communications	Built-in MODBUS-RTU (RS-485) Communications	
PI Control	Built-in	
Protective Features	Under Voltage	Level Depends on Voltage Class (120, 240, 480, or 600)
	Output Short Circuit	Phase-to-Phase on Drive Output
	Over Temperature	Heatsink Monitor
	DC Bus Overvoltage	DC Bus Level Trip
	Drive Overload	Exceed drive rating of 150% for one minute or 175% for 2 seconds
	Over Current	Over-current/short-Circuit protection
	Output Phase	Trips on open Output Phase
	Ground Fault	Trips on phase to ground short circuit
	Loss of Reference	Trips on Loss of Speed Command Signal
Communication Error	Detects a communication error (fault)	
Agency Certifications	UL, cUL, CE, C-tick, GOST-R	
Service Conditions	Altitude:	1,000 m (3,300 ft.). Derate by 1% every 100 m (328 ft.) up to 2,000m (6,600 ft.)
	Ambient Temperature:	-10° (14°F) to 50°C (122°F)
	Relative Humidity:	0% to 95%, non-condensing
	Intermittent Overload:	150% overload capacity for up to 1 minute, 175% overload capacity for up to 2 seconds

Definite Purpose Motors

Unit Handling Motors

Brake Motors

IEC Frame Motors

50 Hertz Motors

Inverter/Vector Motors & Controls

DC Motors and Controls

Gearmotors and Gear Products

Motor Accessories

Grinders

ACS250 IP20 – Ratings & Pricing

Catalog Number	Hp	kW	Output Amps	Braking Chopper	Frame Size	List Price	Multiplier Symbol
Input voltage = 110 - 120V, 1-phase / Output = 230V, 3-phase							
ACS250-01U-02A3-1	0.5	0.37	2.3	-	E1	408	EP
ACS250-01U-04A3-1	1.0	0.75	4.3	-	E1	450	EP
ACS250-01U-05A8-1	1.5	1.1	5.8	✓	E2	552	EP
Input voltage = 500 - 600V, 3-phase / Output = 575V, 3-phase							
ACS250-03U-02A1-6	1.0	0.75	2.1	✓	P2	602	EP
ACS250-03U-03A1-6	2.0	1.5	3.1	✓	P2	782	EP
ACS250-03U-04A1-6	3.0	2.2	4.1	✓	P2	869	EP
ACS250-03U-06A5-6	5.0	4.0	6.5	✓	P2	1,043	EP
ACS250-03U-09A0-6	7.5	5.5	9.0	✓	P2	1,459	EP
ACS250-03U-12A0-6	10	7.5	12.0	✓	P3	1,751	EP
ACS250-03U-17A0-6	15	11	17.0	✓	P3	2,291	EP
ACS250-03U-22A0-6	20	15	22.0	✓	P3	2,917	EP

NOTES:

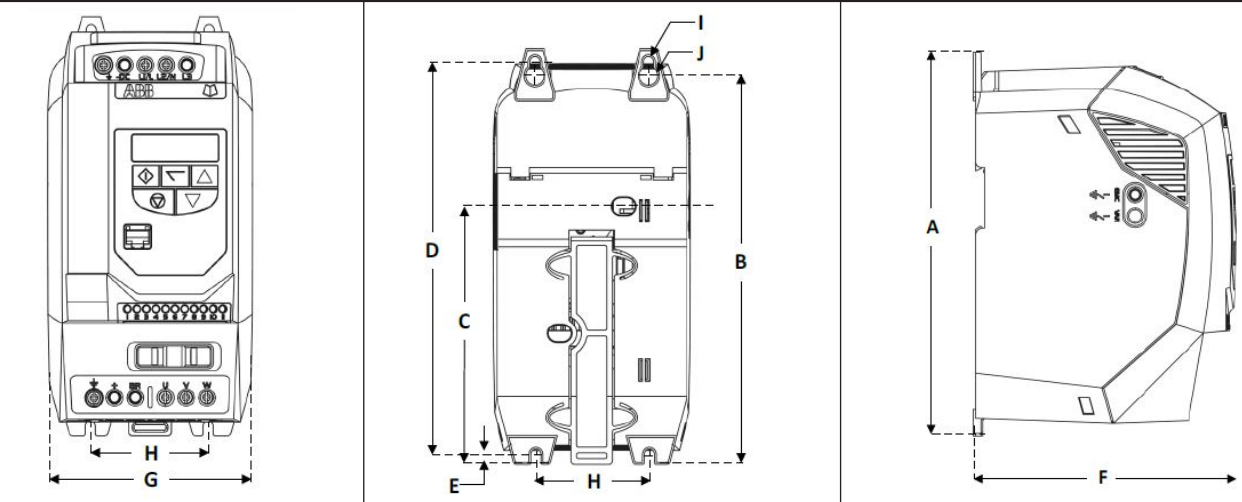
- (1) Refer to User Manual 3AUA0000137830 (115V drives) or 3AUA0000138354 (600V drives) for complete technical information
- (2) See following page for weights and dimensions

ACS250 IP20 Option Kits

ACS250 IP20 options (these options will be shipped separately from drive shipping package)

Variant	Description	Field Kit	Voltage Rating		Multiplier Symbol
			120 V	600 V	
RCCS-01 Copying Tool	Copy stick, which is used to upload and download the parameters through RJ45 connection. Parameters can only be copied between drives of the same product range and power rating (size).	RCCS-01	234	234	ES
RCRO-01 Relay Output Card	The second relay output module can be used in applications where the analog output from the drive is converted to a relay output. Max relay switching voltage: 250 VAC/220 VDC. Max relay switching current: 1A Max input voltage: +/- 50 VDC Environmental: -10°C ... +50°C Conformity: IP00, UL94V-0.	RCRO-01	140	NA	ES
RCRP-01 External LED	Remote keypad that can be added through RJ45 connection. Signal interface: standard 6-way RJ45 connector Supply input: 10V ... 36 VDC, 30mA RS485 signal: industry standard 2-wire +5V differential Environmental: operational 0 ... 50 °C Storage: -40°C ... 60°C Relative humidity: < 95% (non condensing) Protection rating: IP54 Max cable length: 20m (unscreened, total length) 100m (screened, twisted pair, total length).	RCRP-01	106	106	ES
RCRJ-01 RJ45 Y-Cable Splitter	The data cable splitter is a 3-way "Y" cable splitter suitable for a RS-485 network of drives. The option is compatible with standard CAT 5 or CAT 6 type cable and can be used for Modbus-RTU or an RS-485 remote keypad network.	RCRJ-01	59	59	ES
RCNT-01 RJ45 Y-Cable Splitter w/Term	The data cable splitter with terminal block is a 3-way "Y" cable splitter with one terminal block suitable for an RS-485 network of drives. Two of the three connections are compatible with standard CAT 5 or CAT 6 type cable and the third is a terminal block that can be used to connect a PLC or network terminating resistor.	RCNT-01	183	183	ES
ACS250 Democase	Powered by 115 VAC, the Demo Case includes an ACS250 drive and IO board with switches, speed potentiometer and LED. Ideal for demonstrating the programmability of the ACS250. There is no motor included in this democase.	ACS250-DEMOCASE	2,000	NA	ES

4.2. Mechanical Dimensions and Mounting – IP20 Open Units

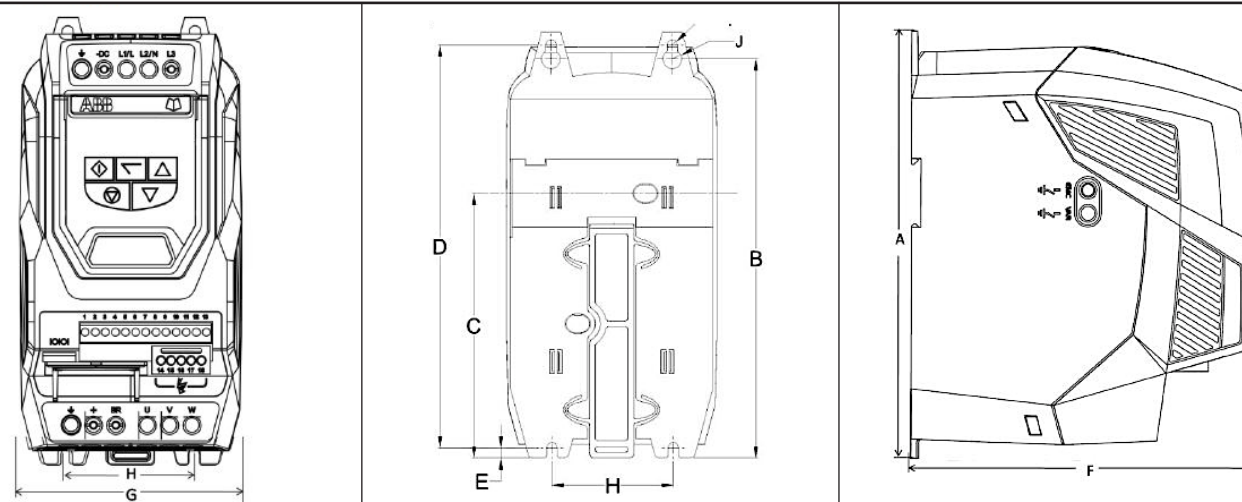


Drive Frame Size	A		B		C		D		E		F		G		H		I		J		Weight	
	mm	in	mm	in	mm	in	mm	in	mm	in	mm	in	mm	in	mm	in	mm	in	mm	in	kg	lb
1	173	6.81	160	6.30	109	4.29	162	6.38	5	0.20	123	4.84	82	3.23	50	1.97	5.5	0.22	10	0.39	1.0	2.20
2	221	8.70	207	8.15	137	5.39	209	8.23	5.3	0.21	150	5.91	109	4.29	63	2.48	5.5	0.22	10	0.39	1.7	3.75

NOTE Maximum Control Terminal Torque Settings of 0.5 Nm (4.5 lb-in)
Maximum Power Terminal Torque Settings of 1 Nm (9 lb-in)

4.2. Mechanical Dimensions and Weights – IP20 Open Units

600V IP20 Units



Drive Size	A		B		C		D		E		F		G		H		I		J		Weight	
	mm	in	mm	in	mm	in	mm	in	mm	in	mm	in	mm	in	mm	in	mm	in	mm	in	Kg	lb
2	221	8.70	207	8.15	137	5.39	209	8.23	5.3	0.21	185	7.28	112	4.41	63	2.48	5.5	0.22	10	0.39	1.8	4
3	261	10.28	246	9.69	-	-	247	9.72	6	0.24	205	8.07	131	5.16	80	3.15	5.5	0.22	10	0.39	3.5	7.7

Definite Purpose Motors

Unit Handling Motors

Brake Motors

IEC Frame Motors

50 Hertz Motors

Inverter/Vector Motors & Controls

DC Motors and Controls

Gearmotors and Gear Products

Motor Accessories

Grinders

ACS250 IP66 AC Micro Drive

1/2 thru 1.5 Hp
1/2 thru 3 Hp
1/2 thru 5 Hp
1 thru 10 Hp
1 thru 15 Hp

IP66 - NEMA 4X
IP66 - NEMA 4X
IP66 - NEMA 4X
IP66 - NEMA 4X
IP66 - NEMA 4X

115 Vac
230 Vac
230 Vac
460 Vac
600 Vac

1 Phase - 50/60 Hz
1 Phase - 50/60 Hz
3 Phase - 50/60 Hz
3 Phase - 50/60 Hz
3 Phase - 50/60 Hz



Applications: Harsh environment applications with 115V (for 230V motors), 230V, 460V & 600V supply power: conveyors, mixers, pumps, fans, food and beverage variable torque, constant torque or constant horsepower applications. Compact size replaces motor starters/soft starters. New installation, replacement and original equipment manufacturer (OEM).

Features: V/Hz control for linear (CT) or squared (VT) applications or Sensorless Vector Control (600V only). Overload capacity of 150% for 60 seconds or 175% for two seconds. Built in PI control. IP20 enclosure with wall or DIN rail mounting. Remote mount keypad option kit. Integrated keypad with operator interface and local speed control. Optional operator controls - On/Off, Fwd-Off-Rev, and Speed Pot. Easy setup and commissioning with ABB common programming structure. Quick start macros for fast commissioning and start-up Built-in braking chopper allows connection to remote braking resistor for enhanced performance needs. Built-in Modbus RTU and Y-cable splitter kit allows fast system integration. Optional drive parameter copying tool.

Performance Features	Control Modes	115-460 VAC: V/Hz 600 VAC: V/Hz and open loop vector
	Operator Interface Module	Integral Drive Mounted
	Keypad Display	6-character LED display
	Programmable Preset Speeds	Four
	Analog Outputs: one	One (0-10 VDC)
	Auto Restart	Yes – Up to 5 attempts
	Frequency Avoidance	One band
	Fault History	Last four faults
Drive Specifications	Analog Inputs: two	0-10 VDC, 4 - 20mA
	Relay Outputs: one	Built-in form C relay, 250 VAC, 6A / 30 VDC, 5A
	Analog Output / Digital Output	0-10 VDC: one analog usable for meter (freq., current, voltage) or digital output
	Overload Capacity	Drive Output 150% for 1 minute and 175% for 2 seconds
	Maximum Load	5 Hp @ 230 VAC, 10 Hp @ 460 VAC, 15 Hp @ 600 VAC
	Input Voltage Ranges:	115 VAC (99-126); 230 VAC (198-264); 460 VAC (342-528); 600 VAC (450-660)
	Rated Input Frequency	50-60 Hz (±5%)
	Carrier Frequency:	4-32 kHz (8 kHz default)
	Operating Temperature:	-10° to 40°C
	Dynamic Braking:	Built-in brake chopper in frames 2 & 3
	External Braking Resistor	Up to 150% dynamic braking with properly sized resistor
	DC Injection Braking:	Included
	Volts/Hz	Linear V/Hz, user defined, energy optimizer & boost function
	Frequency Control Range:	0-500 Hz
	Accel/Decel:	Independently adjustable accel. & decel. Ramps
	Time Range:	0.0 to 600.0 Seconds
	Keypad Speed Control	Yes
Sink/Source Inputs	Source, 24 VDC Logic	
Electronic Overload Trip	Electronic motor overload inverse 150% for 1 minute or 175% for 2 seconds	
Communications	Built-in MODBUS-RTU (RS-485) Communications	
PI Control	Built-in	
Protective Features	Under Voltage	Level Depends on Voltage Class (120, 240, 480, or 600)
	Output Short Circuit	Phase-to-Phase on Drive Output
	Over Temperature	Heatsink Monitor
	DC Bus Overvoltage	DC Bus Level Trip
	Drive Overload	Exceed drive rating of 150% for one minute or 175% for 2 seconds
	Over Current	Over-current/short-Circuit protection
	Output Phase	Trips on open Output Phase
	Loss of Reference	Trips on Loss of Speed Command Signal
Communication Error	Detects a communication error (fault)	
Agency Certifications	UL, cUL, CE, C-tick, GOST-R	
Service Conditions	Altitude:	1,000 m (3,300 ft.). Derate by 1% every 100 m (328 ft.) up to 2,000m (6,600 ft.)
	Ambient Temperature:	-10° (14°F) to 40°C (102°F)
	Relative Humidity:	0% to 95%, non-condensing
	Intermittent Overload:	150% overload capacity for up to 1 minute, 175% overload capacity for up to 2 seconds

Definite Purpose Motors

Unit Handling Motors

Brake Motors

IEC Frame Motors

50 Hertz Motors

Inverter/Vector Motors & Controls

DC Motors and Controls

Gearmotors and Gear Products

Motor Accessories

Grinders

ACS250 IP66 – Ratings & Pricing

Catalog Number	Hp	kW	Braking Chopper	Output Current	Weight (lbs)	Frame Size	List Price	Optional Switch (+F278)	Multiplier Symbol
Input voltage = 110 - 120V, 1-Phase / Output = 230V, 3-phase									
ACS250-01U-02A3-1+B063	0.5	0.37	-	2.3	6.5	E1	757	936	EP
ACS250-01U-04A3-1+B063	1	0.75	-	4.3	6.5	E1	836	1,010	EP
ACS250-01U-05A8-1+B063	1.5	1.1	✓	5.8	9.3	E2	1,018	1,151	EP
Input voltage = 200 - 240V, 1-Phase / Output = 230V, 3-phase									
ACS250-01U-02A3-2+B063	0.5	0.37	-	2.3	6.5	E1	723	832	EP
ACS250-01U-04A3-2+B063	1	0.75	-	4.3	6.5	E1	795	893	EP
ACS250-01U-07A0-2+B063	2	1.5	-	7.0	6.5	E1	853	1,004	EP
ACS250-01U-10A5-2+B063	3	2.2	✓	10.5	9.3	E2	982	1,122	EP
Input voltage = 200 - 240V, 3-phase / Output = 230V, 3-phase									
ACS250-03U-02A3-2+B063	0.5	0.37	-	2.3	6.5	E1	660	780	EP
ACS250-03U-04A3-2+B063	1	0.75	-	4.3	6.5	E1	717	813	EP
ACS250-03U-07A0-2+B063	2	1.5	✓	7.0	9.3	E2	824	974	EP
ACS250-03U-10A5-2+B063	3	2.2	✓	10.5	9.3	E2	950	1,122	EP
ACS250-03U-18A0-2+B063	5	4.0	✓	18.0	17.0	E3	1,353	1,500	EP
Input voltage = 380 - 480V, 3-phase / Output = 460V, 3 phase									
ACS250-03U-02A2-4+B063	1	0.75	-	2.2	6.5	E1	777	896	EP
ACS250-03U-04A1-4+B063	2	1.5	-	4.1	6.5	E1	911	1,040	EP
ACS250-03U-05A8-4+B063	3	2.2	✓	5.8	9.3	E2	1,027	1,175	EP
ACS250-03U-09A5-4+B063	5	4.0	✓	9.5	9.3	E2	1,275	1,411	EP
ACS250-03U-14A0-4+B063	7.5	5.5	✓	14.0	17.0	E3	1,646	1,765	EP
ACS250-03U-18A0-4+B063	10	7.5	✓	18.0	17.0	E3	1,952	2,118	EP
Input voltage = 500 - 600V, 3-phase / Output = 575V, 3-phase									
ACS250-03U-02A1-6+B063	1	0.75	✓	2.1	10.6	P2	1,285	1,462	EP
ACS250-03U-03A1-6+B063	2	1.5	✓	3.1	10.6	P2	1,484	1,649	EP
ACS250-03U-04A1-6+B063	3	2.2	✓	4.1	10.6	P2	1,697	1,849	EP
ACS250-03U-06A5-6+B063	5	4.0	✓	6.5	10.6	P2	1,946	2,082	EP
ACS250-03U-09A0-6+B063	7.5	5.5	✓	9.0	10.6	P2	2,455	2,559	EP
ACS250-03U-12A0-6+B063	10	7.5	✓	12.0	16.1	P3	2,925	3,096	EP
ACS250-03U-17A0-6+B063	15	11	✓	17.0	16.1	P3	4,297	4,424	EP

Definite Purpose Motors

Unit Handling Motors

Brake Motors

IEC Frame Motors

50 Hertz Motors

Inverter/Vector Motors & Controls

DC Motors and Controls

Gearmotors and Gear Products

Motor Accessories

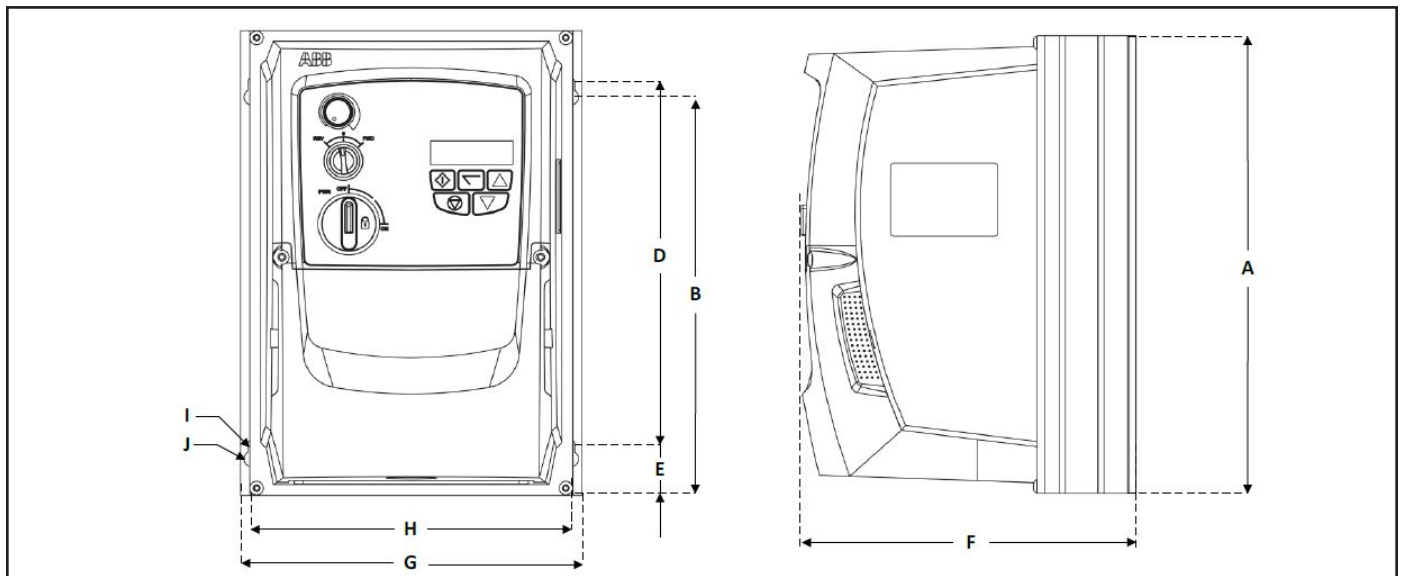
Grinders

ACS250 IP66 Option Kits

ACS250 IP66 options (these options will be shipped separately from drive shipping package)

Variant	Description	Field Kit	Voltage Rating		Multiplier Symbol
			120 V	600 V	
RCCS-01 Copying Tool	Copy stick, which is used to upload and download the parameters through RJ45 connection. Parameters can only be copied between drives of the same product range and power rating (size).	RCCS-01	234	234	ES
RCRO-01 Relay Output Card	The second relay output module can be used in applications where the analog output from the drive is converted to a relay output. Max relay switching voltage: 250 VAC/220 VDC Max relay switching current: 1A Max input voltage: +/- 50 VDC Environmental: -10°C ... +50°C Conformity: IP00, UL94V-0	RCRO-01	140	N/A	ES
RCRP-01 External LED	Remote panel that can be added through RJ45 connection. Signal interface: standard 6-way RJ45 connector Supply input: 10V ... 36 VDC, 30mA RS485 signal: industry standard 2-wire +5V differential Environmental: operational 0 ... 50°C Storage: -40°C ... 60°C Relative humidity: < 95% (non condensing) Protection rating: IP54 Max cable length: 20m (unscreened, total length) 100m (screened, twisted pair, total length).	RCRP-01	106	106	ES
RCRJ-01 RJ45 Y-Cable Splitter	The data cable splitter is a 3-way "Y" cable splitter suitable for a RS-485 network of drives. The option is compatible with standard CAT 5 or CAT 6 type cable and can be used for Modbus-RTU or an RS-485 remote keypad network.	RCRJ-01	59	59	ES
RCNT-01 RJ45 Y-Cable Splitter w/Term	The data cable splitter with terminal block is a 3-way "Y" cable splitter with one terminal block suitable for an RS-485 network of drives. Two of the three connections are compatible with standard CAT 5 or CAT 6 type cable and the third is a terminal block that can be used to connect a PLC or network terminating resistor.	RCNT-01	183	183	ES

4.4. Mechanical Dimensions – IP66 (NEMA 4X) Enclosed Units



Drive Frame Size	A		B		D		E		F		G		H		I		J		Weight	
	mm	in	mm	in	mm	in	mm	in	mm	in	mm	in	mm	in	mm	in	mm	in	Kg	lb
1	232	9.13	207	8.15	189	7.44	25	0.98	179	7.05	161	6.34	148.5	5.85	4	0.16	8	0.31	2.95	6.5
2	257	10.12	220	8.67	200	7.87	28.5	1.12	186.5	7.34	188	7.4	176	6.93	4.2	0.17	8.5	0.33	4.2	9.26
3	310	12.2	276.5	10.89	251.5	9.9	33.4	1.31	228.7	9	210.5	8.29	197.5	7.78	4.2	0.17	8.5	0.33	7.7	17

NOTE

The size 3 product has 4 symmetrical mounting points
Maximum Control Terminal Torque Settings of 0.5 Nm (4.5 lb-in)
Maximum Power Terminal Torque Settings of 1 Nm (9 lb-in)

ACS310 AC Micro Drive

1/2 thru 5 Hp	230 Vac	1 Phase - 50/60 Hz
1/2 thru 15 Hp	230 Vac	3 Phase - 50/60 Hz
1/2 thru 30 Hp	460 Vac	3 Phase - 50/60 Hz



Control Panel Not Included

Applications: Pumps and fans, applications not requiring vector speed control. Variable torque, constant torque or constant horsepower applications. New installation, replacement and original equipment manufacturer (OEM).

Features: V/Hz control for linear (CT), squared (VT) or custom user defined curve. Peak overload capacity of 110%. Flexible mounting options - wall or DIN rail mount. IP20 enclosure standard. NEMA1 protection kit available. Shipped with blank cover. Basic control panel or advanced control panel available. Programming by groups makes it easy to navigate and find parameters. A Quick Start Assistant enables users to program and start using the drive without need for a User Manual. Built-in PID controller, Pump protection, Pump and fan control (PFC) for pumps and fans run in parallel.

Performance Features	Control Modes	Scalar (V/Hz)	
	Operator Interface Module	Basic and advanced control panels available. Shipped with blank cover. Keypad must be ordered with drive to program.	
	Keypad Display	LCD Graphical Display	
	Programmable Preset Speeds	Seven	
	Analog Outputs	One (0/4 - 20 mADC)	
	Auto Restart	Yes – Up to 5 attempts	
	Frequency Avoidance	Three Bands	
	Fault History	Last Three Faults	
	Digital Inputs	Five Configurable Inputs	
	Drive Specifications	Analog Inputs: Two Total	0-10 VDC, -10 to 10 VDC or 0/4 - 20mADC
Digital Outputs: Two Total		One Transistor Output Form C Relay	
Analog Outputs		0/4 - 20mADC	
Overload Capacity		Drive Output 110% for 1 min.	
Input Voltage Ranges:		Single phase: 200 - 240 VAC 3-phase: 200 - 240 VAC; 380 - 480 VAC	
Input Voltage Tolerance		10% / -10%	
Rated Input Frequency		50-60Hz (±5%)	
Carrier Frequency:		4-16 kHz (4 kHz default)	
Operating Temperature:		-10° to 50°C	
DC Injection Braking:		Standard	
Flux Optimization:		Can improve efficiency up to 10% on light loads	
Volts/Hz		Linear V/Hz (CT)	
		Squared V/Hz (VT)	
		Custom 4-Point V/Hz Curve	
Frequency Control Range:		0-599 Hz	
Accel/Decel:		Two independently adjustable sets of ramps	
Time Range:		0.0 to 1800 Seconds	
Keypad Speed Control		Yes	
Sink/Source Inputs		Selectable, 24 VDC Logic	
Electronic Overload Trip		Electronic Motor Overload Inverse Time calculation	
Communications	Built-in MODBUS-RTU (RS-485) Communications		
PID Control	Built-in		
Protective Features	Under Voltage	Level Depends on Voltage Class (240, 480)	
	Ground Fault Protection	Ground Fault protection active during run	
	Output Short Circuit	Phase-to-Phase on Drive Output	
	Over Temperature	Heatsink Monitor	
	Motor Overtemp	Excessive estimated Motor Temperature	
	DC Bus Overvoltage	DC Bus Level Trip	
	IGBT Overtemp	Drive Output IGBT Temp is too high	
	Over Current	Over-current/short-Circuit protection	
	Output Phase Loss	Trips on Motor Phase Loss	
	Loss of Reference	Trips on Loss of Speed Command Signal	
	Comm. Error	Detects a communication error (fault)	
	Loss of Keypad	Drive will trip if under keypad control and keypad communication is lost	
	Incorrect Wiring	Drive faults on output wiring fault when input power is connected to Motor terminals	
Motor Model Calc Fail	Drive will trip if Motor Model cannot be determined - Sensorless Vector Control		
Agency Certifications	UL, cUL, CE, C-tick, GOST-R		
Service Conditions	Altitude:	1,000 m (3,300 ft.). Derate by 1% every 100 m (328 ft.) up to 2,000m (6,600 ft.)	
	Ambient Temperature:	-10°C (14°F) to 40°C (104°F) - up to 50°C with 10% derate	
	Relative Humidity:	0% to 95%, non-condensing	
	Intermittent Overload:	110% overload capacity for up to 1 minute	

Definite Purpose Motors

Unit Handling Motors

Brake Motors

IEC Frame Motors

50 Hertz Motors

Inverter/Vector Motors & Controls

DC Motors and Controls

Gearmotors and Gear Products

Motor Accessories

Grinders

ACS310 - Ratings & Pricing

Catalog Number	Hp	kW	Output Amps *	Braking Chopper	Frame Size	IP20 with Blank Panel List Price	Multiplier Symbol
Input voltage = 200 - 240V, 1-phase / Output = 230V, 3-phase							
ACS310-01U-02A4-2	0.5	0.37	2.3	-	R0	258	EQ
ACS310-01U-04A7-2	1	0.75	4.5	-	R1	325	EQ
ACS310-01U-06A7-2	1.5	1.1	6.5	-	R1	385	EQ
ACS310-01U-07A5-2	2	1.5	7.2	-	R2	420	EQ
ACS310-01U-09A8-2	3	2.2	9.4	-	R2	475	EQ
ACS310-03U-50A8-2**	5	4.0	16.5	-	R4	1,235	EQ
Input voltage = 200 - 240V, 3-phase / Output = 230V, 3-phase							
ACS310-03U-02A6-2	0.5	0.37	2.4	-	R0	215	EQ
ACS310-03U-03A9-2	0.75	0.55	3.5	-	R0	239	EQ
ACS310-03U-05A2-2	1	0.75	4.7	-	R1	274	EQ
ACS310-03U-07A4-2	1.5	1.1	6.7	-	R1	303	EQ
ACS310-03U-08A3-2	2	1.5	7.5	-	R1	346	EQ
ACS310-03U-10A8-2	3	2.2	9.8	-	R2	415	EQ
ACS310-03U-19A4-2	5	4.0	17.6	-	R2	545	EQ
ACS310-03U-26A8-2	7.5	5.5	24.4	-	R3	739	EQ
ACS310-03U-34A1-2	10	7.5	31.0	-	R4	957	EQ
ACS310-03U-50A8-2	15	11.0	46.2	-	R4	1,235	EQ
Input voltage = 380 - 480V, 3-phase / Output = 460V, 3-phase							
ACS310-03U-01A3-4	0.5	0.37	1.2	-	R0	342	EQ
ACS310-03U-02A1-4	0.75	0.55	1.9	-	R0	359	EQ
ACS310-03U-02A6-4	1	0.75	2.4	-	R1	376	EQ
ACS310-03U-03A6-4	1.5	1.1	3.3	-	R1	400	EQ
ACS310-03U-04A5-4	2	1.5	4.1	-	R1	415	EQ
ACS310-03U-06A2-4	3	2.2	5.6	-	R1	507	EQ
ACS310-03U-09A7-4	5	4.0	8.8	-	R1	606	EQ
ACS310-03U-13A8-4	7.5	5.5	12.5	-	R3	725	EQ
ACS310-03U-17A2-4	10	7.5	15.6	-	R3	867	EQ
ACS310-03U-25A4-4	15	11.0	23.1	-	R3	1,065	EQ
ACS310-03U-34A1-4	20	15.0	31.0	-	R4	1,402	EQ
ACS310-03U-41A8-4	25	18.5	38.0	-	R4	1,709	EQ
ACS310-03U-48A4-4	30	22.0	44.0	-	R4	2,055	EQ

NOTES:

* = Continuous at 50° C with 110% overload, see User Manual for 40° C ratings.

** = This drive is a 3-phase 230V supply UL listed for 1-phase 230V supply.

(1) Refer to User Manual 3AFE68576032 for complete technical information

(2) See following page for weights and dimensions

Definite Purpose Motors

Unit Handling Motors

Brake Motors

IEC Frame Motors

50 Hertz Motors

Inverter/Vector Motors & Controls

DC Motors and Controls

Gearmotors and Gear Products

Motor Accessories

Grinders

ACS310 Option Kits

Catalog Number	Name		List Price	Mult. Sym.
ACS-CP-A	Advanced Control Panel	The Advanced Control Panel includes a full graphic, backlite display capable of displaying three Actual Signal values or bar graphs. The alphanumeric display supports 13 languages. A real-time clock is also included. This panel supports the internal Sequence Programming Function.	150	ES
ACS-CP-C	Basic Control Panel	The Basic Control Panel includes a single line numeric backlit LCD display.	75	ES
OPMP-01	Cabinet Panel Mounting	Control Panel Mounting Platform allows remote mounting of the keypad on a large enclosure or remote panel. The kit maintains UL Type 12 integrity of the mounting location. Adapters, 3 m (10ft) cable and mounting hardware are included in this kit. With this mounting arrangement, the keypad is removable from the panel in a fashion identical to a drive-mounted keypad.	138	ES
ACS/H-CP-EXT	Control Panel Mounting	Control Panel Mounting Kit for ACS310 drives allows remote mounting of the keypad on the door of an enclosure. The kit includes a 10 ft (3 m) CAT 5 patch cable, gasket for NEMA 12, mounting hardware and drilling template.	55	ES
ACS/H-CP-EXT-IP66	NEMA 4X Cabinet Panel Mounting	Allows remote mounting of the ACS-CP-A or ACS-CP-C Operator Panels on a larger NEMA 4X (IP66) enclosure or remote panel. The kit maintains NEMA 4X integrity of the mounting location. All necessary hardware and a mounting template are provided in addition to a 3 m panel cable. When mounted, the operator is not removable from the front of the enclosure. The operator panel must be purchased separately.	63	ES
OCAT-01	Panel Extension Cable	7 ft CAT 5 patch cable allows remote operation of the standard panel or connection of the drive to a Personal Computer using the RJ45/DB9 Adapter which must be purchased separately.	40	ES
MREL-01	Relay Output Extension Module	The Relay Output Extension Module (MREL) is an interface for connecting three (3) FORM C relay outputs. The MREL-01 is supported from SW version 2.57C and onwards for the ACS355 and is supported by all SW version of ACS310 & ACS355.	105	ES
SREA-01-KIT	Ethernet Adapter (Gateway)	SREA-01 is an optional device for web browser based remote interface to the ACS310 and ACS355 drives via ethernet. This DIN rail mounted adapter enables remote data acquisition through a standard web browser, utilizing an internal web server for drive configuration and access. Multiple drives (up to 10) can be connected to the Modbus-RTU or Modbus-TCP.	1,250	ES
MFDT-01	Flashdrop	FlashDrop is a powerful palm sized tool for fast and easy parameter selecting and setting. Only the parameters needed in the application are visible. The tool can upload/download parameters, copy parameters between two drives or between a PC and a drive. Includes DrivePM (Drive Parameter Manager), a software tool used to create, edit and copy parameter sets for FlashDrop. The parameter sets can consist of all parameters or only a set of the user parameters.	600	ES
OPCA-01	RJ45/DB9 Adapter	This adapter converts the drive's panel port RJ45 (CAT 5 cable connector) plug to a 9 pin RS-232 computer serial port connector for connecting the drive to a PC.	50	ES
MUL1-R1 MUL1-R3 MUL1-R4	NEMA 1 Enclosure Kit	This option provides hardware to modify the ACS310, or ACS355 drive from the standard fingersafe protected chassis to NEMA 1 protection capable of landing conduit. MUL1-R1 kit is used with frame sizes R0 through R2, MUL1-R3 is used with frame size R3, and MUL1-R4 is used with frame size R4.	75 75 100	ES ES ES
3AFE64532871	DriveWindow Light 2.x	DriveWindow Light is software designed for online drive commissioning and maintenance, making it possible to adjust parameters, read the actual values and control the drive with DriveWindow Light instead of the drive control panel. It is also possible to follow trends and draw graphs. An RJ45 to DB9 adapter cable (OPCA-01) is provided to permit connection between the panel port and a PC.	275	ES
ACS310-DEMOCASE	ACS310 Demo Case	Powered by 115VAC, the DemoCase includes an ACS310 drive mounted on a panel, as well as a motor and I/O board with switches, pots, meters and LEDs permitting remote operation of the drive and motor.	2,800	ES

Definite Purpose Motors

Unit Handling Motors

Brake Motors

IEC Frame Motors

50 Hertz Motors

Inverter/Vector Motors & Controls

DC Motors and Controls

Gearmotors and Gear Products

Motor Accessories

Grinders

ACS310 Dimensions



Frame Size	IP20 (cabinet) / UL Open				NEMA 1 / UL Type 1			
	H1 (in)	W (in)	D (in)	Wt. (lb)	H2 (in)	W (in)	D (in)	Wt. (lb)
R0	9.41	2.76	6.34	2.6	11.02	2.76	6.65	3.5
R1	9.41	2.76	6.34	2.6	11.02	2.76	6.65	3.5
R2	9.41	4.13	6.50	3.3	11.10	4.13	6.65	4.2
R3	9.29	6.65	6.65	5.5	11.77	6.65	6.97	6.8
R4	9.61	10.24	6.65	9.7	12.60	10.24	6.97	11.0

H1 Height with fastenings and clamp plate

H2 Height with fastenings, NEMA 1 connection box and hood.

Definite Purpose Motors

Unit Handling Motors

Brake Motors

IEC Frame Motors

50 Hertz Motors

Inverter/Vector Motors & Controls

DC Motors and Controls

Gearmotors and Gear Products

Motor Accessories

Grinders

ACS355 AC Micro Drive

1/2 thru 3 Hp	230 Vac	1 Phase - 50/60 Hz
1/2 thru 15 Hp	230 Vac	3 Phase - 50/60 Hz
1/2 thru 30 Hp	460 Vac	3 Phase - 50/60 Hz



Applications: Variable torque, constant torque or constant horsepower applications. New installation, replacement and original equipment manufacturer (OEM).

Features: Volts per Hertz, Open Loop Vector Control with peak overload capacity of 150% and PID capability. Flexible mounting options with IP20 enclosure as standard and NEMA 1 option kit. Ships with blank control panel; advanced or basic control panel option available for operator interface and local speed control. Programming by Groups makes it easy to navigate and find parameters. A Quick Start Assistant enables users to program and start using the drive in minutes without need for a User Manual. Built-in braking transistor allows connection to remote braking resistor for enhanced performance needs.

Control Panel Not Included

Performance Features	Control Modes	Scalar (V/Hz) or Open Loop Vector
	Motor Control	Induction, Permanent Magnet
	Operator Interface Module	Basic or advanced panels available, shipped with blank cover
	Control Panel Display	LCD Graphical Display
	Programmable Preset Speeds	Seven
	Analog Outputs	One (0/4 - 20mADC)
	Auto Restart	Yes – Up to 5 attempts
	Frequency Avoidance	Three Bands
	Fault History	Last Three Faults
	Digital Inputs	Five Configurable Inputs
Drive Specifications	Analog Inputs: Two Total	0-10 VDC, -10 to 10 VDC or 0/4 - 20mADC
	Digital Outputs: Two Total	One Transistor Output Form C Relay, NO + NC, 250 VAC / 30 VDC
	Analog Outputs	0/4 - 20mADC
	Safe Torque Off	STO SIL 3
	Overload Capacity	Drive Output 150% for 1 min., 180% for 2 sec. at start
	Speed Control Accuracy	Static: 20% of motor nominal slip
	Input Voltage Ranges:	200 - 240 VAC; 380 - 480 VAC
	Input Voltage Tolerance	10% / -10%
	Rated Input Frequency	50-60 Hz (±5%)
	Carrier Frequency:	4-16 kHz (4 kHz default)
	Operating Temperature:	-10° to 40°C; -10° to 50°C w/ 10% derate
	Dynamic Braking	Built-in Brake Chopper
	Flux Braking:	Standard
	DC Injection Braking:	Standard
	Flux Optimization:	Can improve efficiency up to 10% on light loads
	Volts/Hz	Linear V/Hz (CT)
		Squared V/Hz (VT)
		Custom 4-Point V/Hz Curve
	Open Loop Vector:	Full Open Loop Vector Control with Autotune Function and Motor Model Calculation
	Frequency Control Range:	0-599 Hz
	Accel/Decel:	Two independently adjustable sets of ramps
	Time Range:	0.0 to 1800 Seconds
	S Curve Accel. & Decel.	Yes, with adjustable rounding time
	Control Panel Speed Control	Yes
	Sink/Source Inputs	Selectable, 24 VDC Logic
	Electronic Overload Trip	Electronic Motor Overload Inverse Time calculation
	Communications	Built-in MODBUS-RTU (RS-485) Communications
	PID Control	Two independently controllable

Definite Purpose Motors

Unit Handling Motors

Brake Motors

IEC Frame Motors

50 Hertz Motors

Inverter/Vector Motors & Controls

DC Motors and Controls

Gearmotors and Gear Products

Motor Accessories

Grinders

ACS355 AC Micro Drive continued

Protective Features	Under Voltage	Level Depends on Voltage Class (240, 480)
	Ground Fault Protection	Ground Fault protection active during run
	Output Short Circuit	Phase-to-Phase on Drive Output
	Over Temperature	Heatsink Monitor
	Motor Overtemp	Excessive estimated Motor Temperature, Pt100, or PTC
	DC Bus Overvoltage	DC Bus Level Trip
	IGBT Overtemp	Drive Output IGBT Temp is too high
	Over Current	Over-current/short-Circuit protection
	Output Phase Loss	Trips on Motor Phase Loss
	Loss of Reference	Trips on Loss of Speed Command Signal
	Comm. Error	Detects a communication error (fault)
	Loss of Control Panel	Drive will trip if under Control Panel control and Control Panel communication is lost
	Incorrect Wiring	Drive faults on output wiring fault when input power is connected to Motor terminals
Motor Model Calc Fail	Drive will trip if Motor Model cannot be determined - Open Loop Vector Control	
Agency Certifications		UL, cUL, CE, C-tick, RoHS, TUV, NORD
Service Conditions	Altitude:	1,000 m (3,300 ft.). Derate by 1% every 100 m (328 ft.) up to 2,000m (6,600 ft.)
	Ambient Temperature:	-10°C (14°F) to 40°C (104°F) - up to 50°C with 10% derate
	Relative Humidity:	0% to 95%, non-condensing
	Intermittent Overload:	150% overload capacity for up to 1 minute

Definite Purpose Motors

Unit Handling Motors

Brake Motors

IEC Frame Motors

50 Hertz Motors

Inverter/Vector Motors & Controls

DC Motors and Controls

Gearmotors and Gear Products

Motor Accessories

Grinders

ACS355 - Ratings & Pricing
ACS355 - 230V, 50/60Hz, 1-Phase IP20

Catalog Number	Hp	kW	Output ² Amps	Braking Chopper	Frame	IP20 with Blank Panel List Price	Mult. Sym
ACS355-01U-02A4-2	0.5	0.37	2.4	✓	R0	319	ER
ACS355-01U-04A7-2	1	0.75	4.7	✓	R1	362	ER
ACS355-01U-06A7-2	1.5	1.1	6.7	✓	R1	405	ER
ACS355-01U-07A5-2	2	1.5	7.5	✓	R2	448	ER
ACS355-01U-09A8-2	3	2.2	9.8	✓	R2	540	ER
ACS355-03U-46A8-2 ¹	3	2.2	12.6	✓	R4	1523	ER

ACS355 - 230V, 50/60Hz, 3-Phase IP20

Catalog Number	Hp	kW	Output ² Amps	Braking Chopper	Frame	IP20 with Blank Panel List Price	Mult. Sym
ACS355-03U-02A4-2	0.5	0.37	2.4	✓	R0	319	ER
ACS355-03U-03A5-2	0.75	0.55	3.5	✓	R0	341	ER
ACS355-03U-04A7-2	1	0.75	4.7	✓	R1	362	ER
ACS355-03U-06A7-2	1.5	1.1	6.7	✓	R1	405	ER
ACS355-03U-07A5-2	2	1.5	7.5	✓	R1	448	ER
ACS355-03U-09A8-2	3	2.2	9.8	✓	R2	540	ER
ACS355-03U-17A6-2	5	4	17.6	✓	R2	669	ER
ACS355-03U-24A4-2	7.5	5.5	24.4	✓	R3	873	ER
ACS355-03U-31A0-2	10	7.5	31.0	✓	R4	1,152	ER
ACS355-03U-46A2-2	15	11	46.2	✓	R4	1,523	ER

ACS355 - 460V, 50/60Hz, 3-Phase IP20

Catalog Number	Hp	kW	Output ² Amps	Braking Chopper	Frame	IP20 with Blank Panel List Price	Mult. Sym
ACS355-03U-01A2-4	0.5	0.37	1.2	✓	R0	380	ER
ACS355-03U-01A9-4	0.75	0.55	1.9	✓	R0	419	ER
ACS355-03U-02A4-4	1	0.75	2.4	✓	R1	458	ER
ACS355-03U-03A3-4	1.5	1.1	3.3	✓	R1	494	ER
ACS355-03U-04A1-4	2	1.5	4.1	✓	R1	529	ER
ACS355-03U-05A6-4	3	2.2	5.6	✓	R1	641	ER
ACS355-03U-08A8-4	5	4	8.8	✓	R1	761	ER
ACS355-03U-12A5-4	7.5	5.5	12.5	✓	R3	935	ER
ACS355-03U-15A6-4	10	7.5	15.6	✓	R3	1,154	ER
ACS355-03U-23A1-4	15	11	23.1	✓	R3	1,475	ER
ACS355-03U-31A0-4	20	15	31	✓	R4	1,800	ER
ACS355-03U-38A0-4	25	18.5	38	✓	R4	2,142	ER
ACS355-03U-44A0-4	30	22	44	✓	R4	2,602	ER

NOTES:

- (1) This drive is a 3-phase 230V supply UL listed for 1-phase 230V supply.
- (2) Amperage rating is at 40C, continuous. 50C ratings are available in technical literature.

 Definite Purpose
Motors

 Unit Handling
Motors

Brake Motors

 IEC Frame
Motors

 50 Hertz
Motors

 Inverter/Vector
Motors & Controls

 DC Motors
and Controls

 Gearmotors and
Gear Products

 Motor
Accessories

Grinders

ACS355 Option Kits

Catalog Number	Name		List Price	Mult. Sym.
ACS-CP-A	Advanced Control Panel	The Advanced Control Panel includes a full graphic, backlit display capable of displaying three Actual Signal values or bar graphs. The alphanumeric display supports 13 languages. A real-time clock is also included. This panel supports the internal Sequence Programming Function.	150	ES
ACS-CP-C	Basic Control Panel	The Basic Control Panel includes a single line numeric backlit LCD display.	75	ES
OPMP-01	Cabinet Panel Mounting	Control Panel Mounting Platform allows remote mounting of the keypad on a large enclosure or remote panel. The kit maintains UL Type 12 integrity of the mounting location. Adapters, 3 m (10ft) cable and mounting hardware are included in this kit. With this mounting arrangement, the keypad is removable from the panel in a fashion identical to a drive-mounted keypad.	138	ES
ACS/H-CP-EXT	Control Panel Mounting	Control Panel Mounting Kit for ACS355 drives allows remote mounting of the keypad on the door of an enclosure. The kit includes a 10 ft (3 m) CAT 5 patch cable, gasket for NEMA 12, mounting hardware and drilling template.	55	ES
ACS/H-CP-EXT-IP66	NEMA 4X Cabinet Panel Mounting	Allows remote mounting of the ACS-CP-A and ACS-CP-B Operator Panels on a larger NEMA 4X (IP66) enclosure or remote panel. The kit maintains NEMA 4X integrity of the mounting location. All hardware and a mounting template are provided, in addition to a 3 m panel cable. The operator is not removable from the front of the enclosure when mounted. The operator panel must be purchased separately.	63	ES
OCAT-01	Panel Extension Cable	7 ft CAT 5 patch cable allows remote operation of the standard panel or connection of the drive to a Personal Computer using the RJ45/DB9 Adapter which must be purchased separately.	40	ES
MTAC-01	Pulse Encoder Interface	The Pulse Encoder Interface module offers a differential or single ended interface for a digital pulse encoder connection. The module is capable of operating from either an external 15 or 24 VDC signal with a maximum frequency of 200kHz.	125	ES
MPOW-01		The optional auxiliary power module provides auxiliary voltage to the control panel, fieldbus, and I/O.	125	ES
FEPA-01	Fieldbus Adapter Power Module	The optional Auxiliary Power Module allows connecting external 24VDC power source to the FPBA-01 or FCAN-01 fieldbus adapter.	120	ES
MREL-01	Relay Output Extension Module	The Relay Output Extension module (MREL) is an interface for connecting three (3) FORM C relay outputs. The MREL-01 is supported from SW version 2.57C and onwards for the ACS355 and is supported by all SW version of ACS310 & ACS355.	105	ES
MPOT-01	Speed Pot, Start/Stop & FW/Rev Switches	Potentiometer with two switches: Start/Stop and Forward/Reverse. Polarity is selected with DIP switches. No external power source is needed for the potentiometer.	30	ES
FCAN-01 Kit	CANopen Adapter	CANopen is a higher layer protocol based on the CAN (Control Area Network) serial bus system and the CAL (CAN Application Layer). CANopen assumes that the hardware of the connected device has a CAN transceiver and a CAN controller as specified in ISO 11898. The CANopen Communication Profile, CiA Ds301, includes both cyclic and event driven communication, which makes it possible to reduce the bus load to minimum while still maintaining extremely short reaction times. High communication performance can be achieved at relatively low baud rates, thus reducing EMC problems and cable costs. CANopen device profiles define both direct access to drive parameter and time critical process data communication. The FCAN-01 module fulfills CiA (CAN in Automation) standard DSP 402 (Drives and Motion Control).	325	ES
FDNA-01 Kit	DeviceNet Adapter	The DeviceNet network uses a linear bus topology. Terminating resistors are required on each end of the trunk line. Drop lines as long as 6 m (20 ft) each are permitted, allowing for attachment of one or more nodes. DeviceNet allows branching structures only on drop lines.	260	ES
FENA-01 Kit	Ethernet IP/Modbus TCP Adapter	The FENA-01 module supports both Modbus®-TCP and EtherNet/IP™ network protocols. The Modbus-TCP protocol is simply the Modbus protocol used on top of Ethernet-TCP/IP. Modbus-TCP is an open Industrial Ethernet network which has been specified by the Modbus-IDA User Organization. EtherNet/IP is based on the Common Industrial Protocol (CIP), which is also the framework for both the ControlNet and DeviceNet network protocols. The FENA-01 supports 10/100 Mbps transfer rate with network connections made with CAT 5 wiring and RJ-45 connectors. Both star and bus topology options are supported.	400	ES

Definite Purpose Motors

Unit Handling Motors

Brake Motors

IEC Frame Motors

50 Hertz Motors

Inverter/Vector Motors & Controls

DC Motors and Controls

Gearmotors and Gear Products

Motor Accessories

Grinders

ACS355 Option Kits Continued

Catalog Number	Name		List Price	Mult. Sym.
FECA-01 Kit	EtherCAT Adapter	The FECA-01 module supports EtherCAT® network protocol. EtherCAT® is a Real Time Ethernet technology which aims to maximize the use of the full duplex Ethernet bandwidth. It overcomes the overhead normally associated with Ethernet by employing “on the fly” processing hardware. An EtherCAT® bus consists of a master system and up to 65535 slave devices, connected together with standard Ethernet cabling. The FECA-01 supports 10/100 Mbps transfer rate with network connections made with CAT 5 wiring and RJ-45 connectors. Designed for daisy chain configuration on an EtherCAT® network.	400	ES
FPBA-01 Kit	PROFIBUS-DP Adapter	PROFIBUS is an open serial communication standard that enables data exchange between all kinds of automation components. The physical transmission medium of the bus is a twisted pair cable (according to the RS-485 standard). The maximum length of the bus cable is 100 to 1200 m, depending on the selected transmission rate. Up to 31 stations can be connected to the same PROFIBUS system without the use of repeaters.	290	ES
FRSA-00	Modbus RTU PCB	Similar to the FMBA-01-KIT except as a bare, coated printed circuit board (PCB) with the RS-485 GND as the same potential as the drive I/O GND.	65	ES
FMBA-01 Kit	Modbus RTU Adapter	Modbus is a serial, asynchronous protocol. The Modbus protocol does not specify the physical interface. Typical physical interfaces are RS-232 and RS-485. The FMBA-01 provides a galvanically isolated RS-485 interface. Modbus is designed for integration with Modicon PLCs or other automation devices, and the services closely correspond to the PLC architecture. The FMBA-01 supports the RTU protocol only..	142	ES
SREA-01-KIT	Ethernet Adapter (Gateway)	SREA-01 is an optional device for web browser based remote interface to the ACS310 and ACS355 drives via Ethernet. This DIN rail mounted adapter enables remote data acquisition through a standard web browser, utilizing an internal web server for drive configuration and access. Multiple drives (up to 10) can be connected to the Modbus-RTU or Modbus-TCP.	1,250	ES
MFDT-01	Flashdrop	FlashDrop is a powerful palm sized tool for fast and easy parameter selecting and setting. It gives the possibility to hide selected parameters to protect the machine. Only the parameters needed in the application are shown. The tool can upload/download parameters, copy parameters between two drives or between a PC and a drive. Includes DrivePM (Drive Parameter Manager) which is a software tool to create, edit and copy parameter sets for FlashDrop. The parameter sets can consist of all parameters or only a set of the user parameters.	600	ES
SEDG-01	Ethernet to DeviceNet Gateway	SEDG-01 (EtherNet/IP to DeviceNet) -- will allow a DriveBrowser user to connect a PC's Ethernet port to drives on a DeviceNet networks.	3,995	ES
SECG-01	EtherNet to ControlNet Gateway	SECG-01 (EtherNet/IP to ControlNet) -- will allow a DriveBrowser user to connect a PC's Ethernet port to drives on a ControlNet networks.	3,995	ES
3AFE64532871	DriveWindow Light	DriveWindow Light is software designed for online drive commissioning and maintenance, making it possible to adjust parameters, read the actual values and control the drive with DriveWindow Light instead of the drive control panel. It is also possible to follow trends and draw graphs. An RJ45 to DB9 adapter cable (OPCA-01) is provided to permit connection between the panel port and a PC.	275	ES
3AUA0000041141	DriveBrowser	DriveBrowser software is designed for online drive commissioning and maintenance, using a computer's standard Ethernet port to connect to an EtherNet/IP or Modbus-TCP network. It is compatible with the ACS350, ACS355, ACS550, ACH550, DCS800 and ACS800* drives (*ACS800 standard control program). Drives require configuration and connection to an EtherNet/IP or Modbus-TCP network. DriveBrowser supports Microsoft Windows operating systems (Windows NT4, 2000, XP & Vista). <ul style="list-style-type: none"> • Configure network connections • Parameter editing and monitoring • Upload/download drive parameter files, save, print • Compare files • Trending up to four signals • Drive Control for commissioning and test 	385	ES
OPCA-01	RJ45/DB9 Adapter	This adapter converts the drive's panel port RJ45 (CAT 5 cable connector) plug to a 9 pin RS-232 computer serial port connector for connecting the drive to a PC.	50	ES

ACS355 Option Kits Continued

Catalog Number	Name		List Price	Mult. Sym.
MUL1-R1 MUL1-R3 MUL1-R4	NEMA 1 Enclosure Kit	This option provides the hardware to modify the ACS310, or ACS355 drive from the standard fingersafe protected chassis to NEMA 1 protection capable of landing conduit. MUL1-R1 kit is used with frame sizes R0 through R2, MUL1-R3 is used with frame size R3, and MUL1-R4 is used with frame size R4.	75 75 100	ES
ACS355-DEMOCASE	ACS355 Demo Case	Powered by 115VAC, the DemoCase includes an ACS355 drive mounted on a panel, as well as a motor and I/O board with switches, pots, meters and LEDs permitting remote operation of the drive and motor.	2,800	ES

ACS355 Dimensions

Frame Size	IP20 (cabinet) / UL Open						NEMA 1 / UL Type 1				
	H1 (in)	H2 (in)	H3 (in)	W (in)	D (in)	Wt. (lb)	H4 (in)	H5 (in)	W (in)	D (in)	Wt. (lb)
R0	6.65	7.95	9.41	2.76	6.34	2.6	10.12	11.02	2.76	6.65	3.5
R1	6.65	7.95	9.41	2.76	6.34	2.6	10.12	11.02	2.76	6.65	3.5
R2	6.65	7.95	9.41	4.13	6.50	3.3	10.12	11.10	4.13	6.65	4.2
R3	6.65	7.95	9.29	6.65	6.65	5.5	10.24	11.77	6.65	6.97	6.8
R4	7.13	7.95	9.61	10.24	6.65	9.7	10.63	12.60	10.24	6.97	11.0

¹ U_N = 200...240V, 1.3 kg / 2.9 lb, U = 380...780V: 1.2 kg / 2.9 lb
² U_N = 200...240V, 1.7 kg / 3.7 lb, U = 380...780V: 1.6 kg / 3.5 lb
H1 = Height without fastenings and clamping plate
H2 = Height with fastenings but without clamping plate

H3 = Height with fastenings and clamping plate
H4 = Height with fastenings and NEMA 1 connection box
H5 = Height with fastenings, NEMA 1 connection box and Hood

NOTE:

(1) Amperage rating is at 40C, continuous. 50C ratings are available in technical literature.

Definite Purpose Motors
 Unit Handling Motors
 Brake Motors
 IEC Frame Motors
 50 Hertz Motors
 Inverter/Vector Motors & Controls
 DC Motors and Controls
 Gearmotors and Gear Products
 Motor Accessories
 Grinders

ACS355 IP66, UL Type 4X AC Micro Drive

1/2 thru 2 Hp	230 Vac	1 Phase - 50/60 Hz
1/2 thru 5 Hp	230 Vac	3 Phase - 50/60 Hz
1/2 thru 10 Hp	460 Vac	3 Phase - 50/60 Hz



Applications: Variable torque, constant torque or constant horsepower applications. New installation, replacement and original equipment manufacturer (OEM).

Features: Volts per Hertz, Open Loop Vector Control with peak overload capacity of 150% and PID capability. The drive is NSF certified and designed with materials meeting current hygiene standards, which means that the drive traps no bacteria and can withstand frequent high pressure washing. The control panel is housed within a plastic window is designed to resist moist and dusty environments. Programming by Groups makes it easy to navigate and find parameters. A Quick Start Assistant enables users to program and start using the drive in minutes without need for a User Manual. Built-in braking transistor allows connection to remote braking resistor for enhanced performance needs.

Performance Features	Control Modes	Scalar (V/Hz) or Open Loop Vector
	Motor Control	Induction, Permanent Magnet
	Operator Interface Module	Basic or advanced panels available, shipped with blank cover
	Control Panel Display	LCD Graphical Display
	Programmable Preset Speeds	Seven
	Analog Outputs	One (0/4 - 20 mADC)
	Auto Restart	Yes – Up to 5 attempts
	Frequency Avoidance	Three Bands
	Fault History	Last Three Faults
	Digital Inputs	Five Configurable Inputs
Drive Specifications	Analog Inputs: Two Total	0-10 VDC, -10 to 10 VDC or 0/4 - 20mADC
	Digital Outputs: Two Total	One Transistor Output Form C Relay, NO + NC, 250 VAC / 30 VDC
	Analog Outputs	0/4 - 20maDC
	Safe Torque Off	STO SIL 3
	Overload Capacity	Drive Output 150% for 1 min., 180% for 2 sec. at start
	Speed Control Accuracy	Static: 20% of motor nominal slip
	Input Voltage Ranges:	200 - 240VAC; 380 - 480VAC
	Input Voltage Tolerance	10% / -10%
	Rated Input Frequency	50-60 Hz (±5%)
	Carrier Frequency:	4-16 kHz (4 kHz default)
	Operating Temperature:	-10° to 40°C; -10° to 50°C w/ 10% derate
	Dynamic Braking	Built-in Brake Chopper
	Flux Braking:	Standard
	DC Injection Braking:	Standard
	Flux Optimization:	Can improve efficiency up to 10% on light loads
	Volts/Hz	Linear V/Hz
		Square V/Hz
		Custom 4-Point V/Hz Curve
	Open Loop Vector:	Full Open Loop Vector Control with Autotune Function and Motor Model Calculation
	Frequency Control Range:	0-500 Hz
	Accel/Decel:	Two independently adjustable sets of ramps
	Time Range:	0.0 to 1800 Seconds
	S Curve Accel. & Decel.	Yes, with adjustable rounding time
	Control Panel Speed Control	Yes
	Sink/Source Inputs	Selectable, 24 VDC Logic
	Electronic Overload Trip	Electronic Motor Overload Inverse Time calculation
	Communications	Built-in MODBUS-RTU (RS-485) Communications
	PID Control	Two independently controllable

ACS355 IP66, UL Type 4X AC Micro Drive continued

Protective Features	Under Voltage	Level Depends on Voltage Class (240, 480)
	Ground Fault Protection	Ground Fault protection active during run
	Output Short Circuit	Phase-to-Phase on Drive Output
	Over Temperature	Heatsink Monitor
	Motor Overtemp	Excessive estimated Motor Temperature, Pt100, or PTC
	DC Bus Overvoltage	DC Bus Level Trip
	IGBT Overtemp	Drive Output IGBT Temp is too high
	Over Current	Over-current/short-Circuit protection
	Output Phase	Trips on open Output Phase
	Loss of Reference	Trips on Loss of Speed Command Signal
	Comm. Error	Detects a communication error (fault)
	Loss of Control Panel	Drive will trip if under Control Panel control and Control Panel communication is lost
	Motor Model Calc Fail	Drive will trip if Motor Model cannot be determined - Open Loop Vector Control
Agency Certifications	UL, cUL, CE, C-tick, RoHS, TUV, NORD	
Service Conditions	Altitude:	1,000 m (3,300 ft.). Derate by 1% every 100 m (328 ft.) up to 2,000m (6,600 ft.)
	Ambient Temperature:	-10°C (14°F) to 40°C (104°F)
	Relative Humidity:	0% to 95%, non-condensing
	Intermittent Overload:	150% overload capacity for up to 1 minute 180% overload capacity for up to 2 seconds

ACS355 IP66, UL Type 4X - Ratings & Pricing
ACS355 - 230V, 50/60Hz, 1-Phase IP66, UL Type 4X

Catalog Number	Hp	kW	Output ² Amps	Braking Chopper	Frame	IP66 with Advanced Panel List Price	IP66 with Advanced Panel List Price w/ +F278"	Mult. Sym
ACS355-03U-06A7-2+B063 ¹	0.5	0.37	3.5	✓	R1	953	1,259	ER
ACS355-03U-09A8-2+B063 ¹	1	0.75	4.9	✓	R3	1,106	1,460	ER
ACS355-03U-17A6-2+B063 ¹	2	1.5	10.2	✓	R3	1,460	1,927	ER

ACS355 - 230V, 50/60Hz, 3-Phase IP66, UL Type 4X

Catalog Number	Hp	kW	Output ² Amps	Braking Chopper	Frame	IP66 with Advanced Panel List Price	IP66 with Advanced Panel List Price w/ +F278"	Mult. Sym
ACS355-03U-02A4-2+B063	0.5	0.37	2.4	✓	R1	750	990	ER
ACS355-03U-03A5-2+B063	0.75	0.55	3.5	✓	R1	849	1,120	ER
ACS355-03U-04A7-2+B063	1	0.75	4.7	✓	R1	904	1,193	ER
ACS355-03U-06A7-2+B063	1.5	1.1	6.7	✓	R1	953	1,259	ER
ACS355-03U-07A5-2+B063	2	1.5	7.5	✓	R1	1,017	1,342	ER
ACS355-03U-09A8-2+B063	3	2.2	9.8	✓	R3	1,106	1,460	ER
ACS355-03U-17A6-2+B063	5	4.0	17.6	✓	R3	1,460	1,927	ER

ACS355 - 460V, 50/60Hz, 3-Phase IP66, UL Type 4X

Catalog Number	Hp	kW	Output ² Amps	Braking Chopper	Frame	IP66 with Advanced Panel List Price	IP66 with Advanced Panel List Price w/ +F278"	Mult. Sym
ACS355-03U-01A2-4+B063	0.5	0.37	1.2	✓	R1	718	898	ER
ACS355-03U-01A9-4+B063	0.75	0.55	1.9	✓	R1	733	916	ER
ACS355-03U-02A4-4+B063	1	0.75	2.4	✓	R1	786	982	ER
ACS355-03U-03A3-4+B063	1.5	1.1	3.3	✓	R1	837	1,047	ER
ACS355-03U-04A1-4+B063	2	1.5	4.1	✓	R1	900	1,125	ER
ACS355-03U-05A6-4+B063	3	2.2	5.6	✓	R1	975	1,219	ER
ACS355-03U-08A8-4+B063	5	4	8.8	✓	R1	1,180	1,475	ER
ACS355-03U-12A5-4+B063	7.5	5.5	12.5	✓	R3	1,479	1,849	ER
ACS355-03U-15A6-4+B063	10	7.5	15.6	✓	R3	1,802	2,253	ER

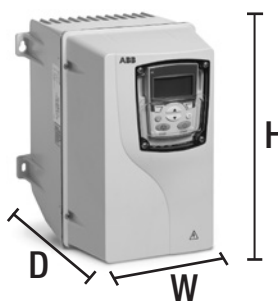
ACS355 IP66, UL Type 4X Option Kits

Catalog Number	Name		List Price	Mult. Sym.
ACS-CP-A	Advanced Control Panel	The Advanced Control Panel includes a full graphic, backlite display capable of displaying three Actual Signal values or bar graphs. The alphanumeric display supports 13 languages. A real-time clock is also included. This panel supports the internal Sequence Programming Function. Standard With ACS355 IP66, UL Type 4X.	150	ES
OPMP-01	Cabinet Panel Mounting	Control Panel Mounting Platform allows remote mounting of the keypad on a large enclosure or remote panel. The kit maintains UL Type 12 integrity of the mounting location. Adapters, 3 m (10ft) cable and mounting hardware are included in this kit. With this mounting arrangement, the keypad is removable from the panel in a fashion identical to a drive-mounted keypad.	138	ES
ACS/H-CP-EXT	Control Panel Mounting	Control Panel Mounting Kit for ACS355 drives allows remote mounting of the keypad on the door of an enclosure. The kit includes a 10 ft (3 m) CAT 5 patch cable, gasket for NEMA 12, mounting hardware and drilling template.	55	ES
ACS/H-CP-EXT-IP66	NEMA 4X Cabinet Panel Mounting	Allows remote mounting of the ACS-CP-A Operator Panels on a larger NEMA 4X (IP66) enclosure or remote panel. The kit maintains NEMA 4X integrity of the mounting location. All hardware and a mounting template are provided in addition to a 3 m panel cable. The operator is not removable from the front of the enclosure when mounted. The operator panel must be purchased separately.	63	ES
OCAT-01	Panel Extension Cable	7 ft CAT 5 patch cable allows remote operation of the standard panel or connection of the drive to a Personal Computer using the RJ45/DB9 Adapter which must be purchased separately.	40	ES
FEPA-01	Fieldbus Adapter Power Module	The optional Auxiliary Power Module allows connecting external 24VDC power source to the FPBA-01 or FCAN-01 fieldbus adapter.	120	ES
FCAN-01 Kit	CANopen Adapter	CANopen is a higher layer protocol based on the CAN (Control Area Network) serial bus system and the CAL (CAN Application Layer). CANopen assumes that the hardware of the connected device has a CAN transceiver and a CAN controller as specified in ISO 11898. The CANopen Communication Profile, CiA Ds301, includes both cyclic and event driven communication, which makes it possible to reduce the bus load to minimum while still maintaining extremely short reaction times. High communication performance can be achieved at relatively low baud rates, thus reducing EMC problems and cable costs. CANopen device profiles define both direct access to drive parameter and time critical process data communication. The FCAN-01 module fulfills CiA (CAN in Automation) standard DSP 402 (Drives and Motion Control)	325	ES
FDNA-01 Kit	DeviceNet Adapter	The DeviceNet network uses a linear bus topology. Terminating resistors are required on each end of the trunk line. Drop lines as long as 6 m (20 ft) each are permitted, allowing the attachment of one or more nodes. DeviceNet allows branching structures only on drop lines.	260	ES
FENA-01 Kit	Ethernet IP/Modbus TCP Adapter	The FENA-01 module supports both Modbus®-TCP and EtherNet/IP™ network protocols. The Modbus-TCP protocol is simply the Modbus protocol used on top of Ethernet-TCP/IP. Modbus-TCP is an open Industrial Ethernet network which has been specified by the Modbus-IDA User Organization. EtherNet/ IP is based on the Common Industrial Protocol (CIP), which is also the framework for both the ControlNet and DeviceNet network protocols. The FENA-01 supports 10/100 Mbps transfer rate with network connections made with CAT 5 wiring and RJ-45 connectors. Both star and bus topology options are supported.	400	ES
FECA-01 Kit	EtherCAT Adapter	The FECA-01 module supports EtherCAT® network protocol. EtherCAT® is a Real Time Ethernet technology which aims to maximize the use of the full duplex Ethernet bandwidth. It overcomes the overhead normally associated with Ethernet by employing "on the fly" processing hardware. An EtherCAT® bus consists of a master system and up to 65535 slave devices, connected together with standard Ethernet cabling. The FECA-01 supports 10/100 Mbps transfer rate with network connections made with CAT 5 wiring and RJ-45 connectors. Designed for daisy chain configuration on an EtherCAT® network.	400	ES
FPBA-01 Kit	PROFIBUS-DP Adapter	PROFIBUS is an open serial communication standard that enables data exchange between all kinds of automation components. The physical transmission medium of the bus is a twisted pair cable (according to the RS-485 standard). The maximum length of the bus cable is 100 m to 1200 m, depending on the selected transmission rate. Up to 31 stations can be connected to the same PROFIBUS system without the use of repeaters.	290	ES
FRSA-00	Modbus RTU PCB	Similar to the FMBA-01-KIT except as a bare, coated printed circuit board (PCB) with the RS-485 GND as the same potential as the drive I/O GND.	65	ES

ACS355 IP66, UL Type 4X Option Kits Continued

Catalog Number	Name		List Price	Mult. Sym.
FMBA-01 Kit	Modbus RTU Adapter	Modbus is a serial, asynchronous protocol. The Modbus protocol does not specify the physical interface. Typical physical interfaces are RS-232 and RS-485. The FMBA-01 provides a galvanically isolated RS-485 interface. Modbus is designed for integration with Modicon PLCs or other automation devices and the services closely correspond to the PLC architecture. The FMBA-01 supports the RTU protocol only.	142	ES
SREA-01-KIT	Ethernet Adapter (Gateway)	SREA-01 is an optional device for web browser based remote interface to the ACS310 and ACS355 drives via ethernet. This DIN rail mounted adapter enables remote data acquisition through a standard web browser, utilizing an internal web server for drive configuration and access. Multiple drives (up to 10) can be connected to the Modbus-RTU or Modbus-TCP.	1,250	ES
MFDT-01	Flashdrop	FlashDrop is a powerful palm sized tool for fast and easy parameter selecting and setting. Only the parameters needed in the application are visible. The tool can upload/download parameters, copy parameters between two drives or between a PC and a drive. Includes DrivePM (Drive Parameter Manager) which is a software tool used to create, edit and copy parameter sets for FlashDrop. The parameter sets can consist of all parameters or only a set of the user parameters.	600	ES
SEDG-01	Ethernet to DeviceNet Gateway	SEDG-01 (EtherNet/IP to DeviceNet) will allow a DriveBrowser user to connect a PC's Ethernet port to drives on a DeviceNet networks.	3,995	ES
SECG-01	EtherNet to ControlNet Gateway	SECG-01 (EtherNet/IP to ControlNet) will allow a DriveBrowser user to connect a PC's Ethernet port to drives on a ControlNet networks.	3,995	ES
3AFE64532871	DriveWindow Light	DriveWindow Light is software designed for online drive commissioning and maintenance making it possible to adjust parameters, read the actual values and control the drive with DriveWindow Light instead of the drive control panel. It is also possible to follow trends and draw graphs. An RJ45 to DB9 adapter cable (OPCA-01) is provided to permit connection between the panel port and a PC.	275	ES
3AUA0000041141	DriveBrowser	DriveBrowser software is designed for online drive commissioning and maintenance using a computer's standard Ethernet port to connect to an EtherNet/IP or Modbus-TCP network. It is compatible with the ACS350, ACS355, ACS550, ACH550, DCS800 and ACS800* drives (*ACS800 standard control program). Drives require configuration and connection to an EtherNet/IP or Modbus-TCP network. DriveBrowser supports Microsoft Windows operating systems (Windows NT4, 2000, XP & Vista). <ul style="list-style-type: none"> • Configure network connections • Parameter editing and monitoring • Upload/download drive parameter files, save, print • Compare files • Trending up to four signals • Drive Control for commissioning and test 	385	ES
OPCA-01	RJ45/DB9 Adapter	This adapter converts the drive's panel port RJ45 (CAT 5 cable connector) plug to a 9 pin RS-232 computer serial port connector for connecting the drive to a PC.	50	ES

ACS355 UL Type 4X (IP66) Dimensions

	Frame Size	H (in)	W (in)	D (in)	Weight (lb)
	R1	12.01	7.68	11.06	16.98
	R3	17.17	9.69	10.91	28.66

NOTE:

- (1) This drive is a 3-phase 230V supply UL listed for 1-phase 230V supply.
- (2) Amperage rating is at 40C, continuous. 50C ratings are available in technical literature.



ACB530 AC Inverter Drive

3/4 thru 40 Hp
1.5 thru 100 Hp
1.5 thru 550 Hp
1 1/2 thru 150 Hp

230 Vac
230 Vac
460 Vac
600 Vac

1 Phase - 50/60 Hz
3 Phase - 50/60 Hz
3 Phase - 50/60 Hz
3 Phase - 50/60 Hz



Applications: Variable torque, constant torque or constant horsepower applications. New installation, replacement and original equipment manufacturer (OEM).

Features: Volts per Hertz or Sensorless Vector Control with peak overload capacity of 150% and PID capability. Flexible mounting options include both UL type 1 & 12 enclosures. Removable keypad with operator interface and local speed control. Programming by Groups makes it easy to navigate and find parameters. A Quick Start Assistant enables users to program and start using the drive without need of the User Manual. Built-in braking transistor allows connection to remote braking resistor for enhanced performance needs (R1-R2 frames).

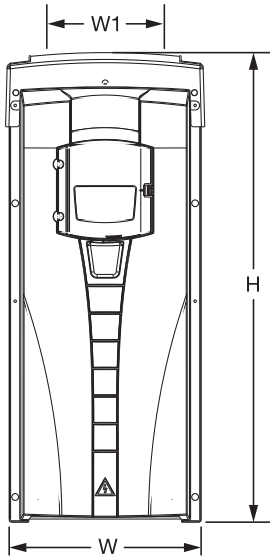
Patented swinging choke for superior harmonic reduction (R1-R6 frames) and AC line reactor (R8 frame)

Input Ratings	Voltage	230	460	600
	Input Voltage Range	208-240	380-480	500-600
	Input Voltage Tolerance	+10% / -15%		
	Phase	Three Phase (Single-Phase 230V with derating)		
	Frequency	50/60 Hz +5%		
Output Ratings	Horsepower	3/4-40 Hp @ 230VAC, 1 Ph; 1.5-100 Hp @ 230VAC, 3 Ph; 1.5-550 Hp @ 460VAC, 3 Ph; 1-150 Hp @ 600VAC, 3 Ph		
	Overload Capacity	Heavy Duty (Constant Torque) = 150% for 60 seconds, 175% for 3 seconds Normal Duty (Variable Torque) = 110% for 60 seconds		
	Frequency	0-500 Hz		
	Voltage	0 to maximum input voltage (RMS)		
Protective Features	Overcurrent	Excessive Output Current		
	DC Overvoltage	High DC Bus		
	Overtemp	Drive heatsink above operating temperature		
	Short Circuit	Short on motor output terminals		
	Undervoltage	Low Voltage on Drive Input		
	Loss of Reference	Analog Input programmed for 4-20ma but signal less than 4ma		
	Motor Overtemp	Excessive estimated Motor Temperature		
	Loss of Keypad	Drive will trip if under keypad control and keypad communication is lost		
	Motor Model Calc Fail	Drive will trip if Motor Model cannot be determined - Sensorless Vector Control		
	Motor Stall	Motor cannot achieve commanded speed due to excessive load		
	Ground Fault	Ground Fault detected in motor or motor cabling		
	Motor Phase Fault	Loss of one of the motor phases		
Environmental Conditions	Temperature	-10 to 40°C. -10 to 50°C w/ derate		
	Cooling	Forced air		
	Enclosure	UL Type 1 UL Type 12		
	Altitude	Sea level to 3300 ft. (1000 m) Derate 1% per 330 ft. (100 m) up to 6600 ft. (2000 m)		
	Humidity	0 to 95% RH Non-Condensing		
Keypad Display	Display	LCD Graphical		
	Keys	8-key keypad with tactile response		
	Functions	Output status monitoring, Digital speed control, Parameter setting and display, Diagnostic and Fault log display, Motor run, Local/Remote toggle		
	Remote Mount	Keypad may be mounted up to 10 ft. using appropriate cable (see Options for kit)		
	Trip	Last three faults stored in Fault History		
Control Specifications	PWM Frequency	Adjustable 1.5-5 kHz Std, 5-16 kHz quiet		
	Frequency Setting	1, 4, 8, 12 kHz (up to 150 Hp); 1 or 4 kHz (over 150 Hp)		
	Accel/Decel	0-1800 seconds		
	V/Hz Ratio	Linear or squared reduced		
	Speed Control Accuracy	20% of motor slip		
	Skip Frequency	Three zones 0-Max frequency		
	PC Setup Software	Drive Window Light		
	Maximum Output Frequency	500 Hz		
	Selectable Operating Modes	2-Wire, 3-Wire, Baldor 3-Wire, Motor Potentiometer, Hand/Auto, PID		
Analog Inputs	Two Single-ended	0 (2) to 10 V, Rin > 312 kΩ single-ended 0 (4) to 20 mA, Rin = 100 Ω single-ended		
	Accuracy	±1%		
Analog Outputs	Two Current Outputs	0 (4) to 20 mA, load < 500 Ω		
	Accuracy	±3%		

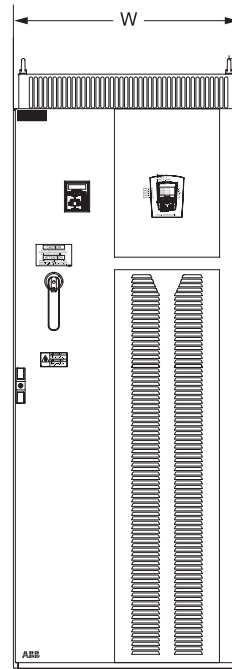
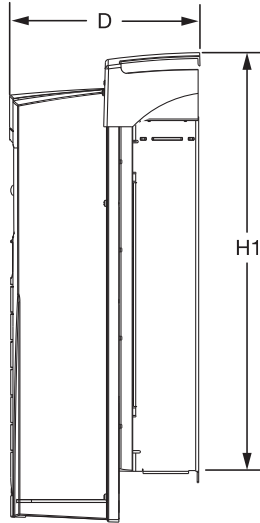
ACB530 AC Inverter Drive continued

Digital Inputs	Six Digital Inputs	12 V... 24 V DC with internal or external supply Pull-up or Pull-down (PNP or NPN)
	Input Impedance	2.4 kΩ
	Maximum delay	5 ms ± 1ms
DriveWindow Light	PN: 3AFE64532871	DriveWindow Light is software designed for online drive commissioning and maintenance, making it possible to adjust parameters, read the actual values and control the drive with DriveWindow Light instead of the drive control panel. It is also possible to follow trends and draw graphs. An RJ45 to DB9 adapter cable (OPCA-02) is provided to permit connection between the panel port and a PC.
RJ45/DB9 Adapter	PN: OPCA-01	This adapter converts the drive's panel port RJ45 (CAT 5 cable connector) plug to a 9 pin RS-232 computer serial port connector for connecting the drive to a PC.
Digital Outputs	Three Relay Outputs	Form C
	Maximum switching voltage	250 V AC/30 VDC
	Maximum switching current	6 A/30 VDC; 1500 V A/230 VAC
	Maximum continuous current	2 A rms

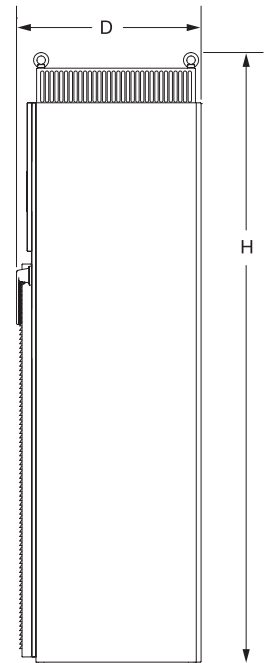
NEMA 1 Dimensions and Weights



Wall Mount (R1-R6)

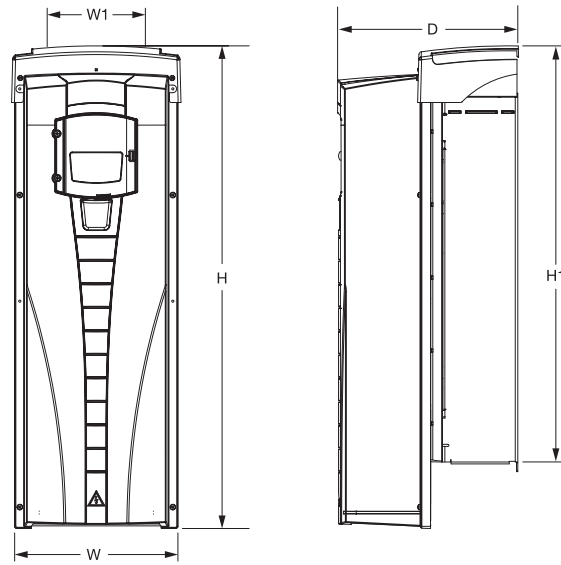


Floor Mount (R7-R8)



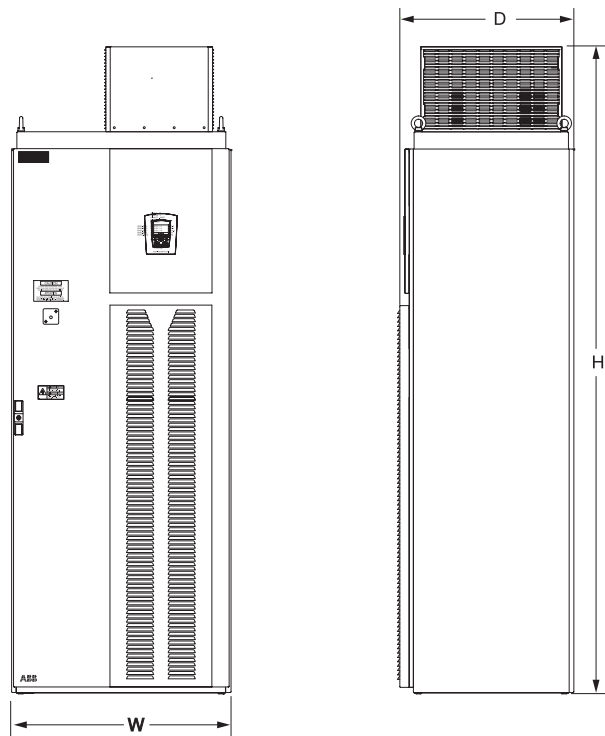
Frame	Product Dimensions						
	H1	W1	Mounting Hardware	H	W	D	Weight
R1	12.5	3.9	#10	14.5	4.9	8.3	14.3
R2	16.4	3.9	#10	18.5	4.9	8.7	19.5
R3	18.6	6.3	#10	23	8	9.1	35
R4	22.8	6.3	#10	27.1	8	10.3	53
R5	23.2	9.4	0.25	29	10.5	11.3	75
R6	26.6	10.4	0.25	35	11.9	15.8	152
R7	Free Standing		NA	59.2	24	19.5	430
R8	Free Standing		NA	83.9	31.5	23	827

NEMA 12 Dimensions and Weights



Wall Mount (R1 - R6)

Frame	Product Dimensions						
	H1	W1	Mounting Hardware	H	W	D	Weight
R1	12.5	3.9	#10	18.1	8.4	9.2	17.6
R2	16.4	3.9	#10	22.1	8.4	9.6	24.3
R3	18.6	6.3	#10	24.8	10.1	10	37.5
R4	22.8	6.3	#10	29.9	10.1	11.2	57.3
R5	23.2	9.4	0.25	30.5	14.5	12.2	92.6
R6	26.6	10.4	0.25	36.4	16.1	16.7	190



Floor Mount (R8)

Dim	Product Dimensions						
	H1	W1	Mounting Hardware	H	W	D	Weight
PX12-8	Free Standing		NA	93.6	31.7	25.9	838

ACB530 Inverter/Encoderless Vector - NEMA 1 Enclosure

ACB530 - 230V, 50/60Hz, 1-Phase Ratings based on 50% de-rate of 3-Phase Drive

Catalog Number	Heavy Duty				Normal Duty			List Price	Mult. Sym.
	Frame	Hp	Cont. Amps	Matched Perf. Motor Code	Hp	Cont. Amps	Matched Perf. Motor Code		
ACB530-U1-07A5-2	R1	0.75	3.3	A2	0.75	3.8	A2	1,075	EG
ACB530-U1-012A-2	R1	0.75	3.8	A2	1	5.9	B2	1,100	EG
ACB530-U1-017A-2	R1	1	5.9	B2	2	8.4	C2	1,300	EG
ACB530-U1-024A-2	R2	2	8.4	C2	3	12.1	D2	1,675	EG
ACB530-U1-031A-2	R2	3	12.1	D2	5	15.4	E2	2,100	EG
ACB530-U1-046A-2	R3	5	15.4	E2	7.5	23.1	F2	2,580	EG
ACB530-U1-059A-2	R3	7.5	23.1	F2	10	29.7	G2	3,287	EG
ACB530-U1-075A-2	R4	10	29.7	G2	10	37.4	H2	4,136	EG
ACB530-U1-088A-2	R4	10	37.4	H2	15	44	H2	5,000	EG
ACB530-U1-114A-2	R4	15	44	H2	20	57	I2	6,114	EG
ACB530-U1-143A-2	R6	20	57	I2	25	71.5	J2	7,296	EG
ACB530-U1-178A-2	R6	25	75	J2	30	89	K2	9,268	EG
ACB530-U1-221A-2	R6	30	89	K2	40	110.5	L2	11,774	EG
ACB530-U1-248A-2	R6	30	96		40	124	M2	12,362	EG

ACB530 - 230V, 50/60Hz, 3-Phase

Catalog Number	Heavy Duty				Normal Duty			List Price	Mult. Sym.
	Frame	Hp	Cont. Amps	Matched Perf. Motor Code	Hp	Cont. Amps	Matched Perf. Motor Code		
ACB530-U1-07A5-2	R1	1.5	6.6	B2	2	7.5	C2	1,075	EG
ACB530-U1-012A-2	R1	2	7.5	C2	3	11.8	D2	1,100	EG
ACB530-U1-017A-2	R1	3	11.8	D2	5	16.7	E2	1,300	EG
ACB530-U1-024A-2	R2	5	16.7	E2	7.5	24.2	F2	1,675	EG
ACB530-U1-031A-2	R2	7.5	24.2	F2	10	30.8	G2	2,100	EG
ACB530-U1-046A-2	R3	10	30.8	G2	15	46.2	H2	2,580	EG
ACB530-U1-059A-2	R3	15	46.2	H2	20	59.4	I2	3,287	EG
ACB530-U1-075A-2	R4	20	59.4	I2	25	74.8	J2	4,136	EG
ACB530-U1-088A-2	R4	25	74.8	J2	30	88.0	K2	5,000	EG
ACB530-U1-114A-2	R4	30	88	K2	40	114.0	L2	6,114	EG
ACB530-U1-143A-2	R6	40	114	L2	50	143.0	M2	7,296	EG
ACB530-U1-178A-2	R6	50	150	M2	60	178.0	N2	9,268	EG
ACB530-U1-221A-2	R6	60	178	N2	75	221.0	P2	11,774	EG
ACB530-U1-248A-2	R6	75	192	P2	100	248.0	Q2	12,362	EG



ACB530 - 460V, 50/60Hz, 3-Phase

Catalog Number	Heavy Duty				Normal Duty			List Price	Mult. Sym.
	Frame	Hp	Cont. Amps	Matched Perf. Motor Code	Hp	Cont. Amps	Matched Perf. Motor Code		
ACB530-U1-04A1-4	R1	1.5	3.3	A4	2	4.1	B4	1,216	EG
ACB530-U1-06A9-4	R1	2	5.4	B4	3	6.9	C4	1,351	EG
ACB530-U1-08A8-4	R1	3	6.9	C4	5	8.8	D4	1,637	EG
ACB530-U1-012A-4	R1	5	8.8	D4	7.5	11.9	E4	1,776	EG
ACB530-U1-015A-4	R2	7.5	11.9	E4	10	15.4	F4	2,249	EG
ACB530-U1-023A-4	R2	10	15.4	F4	15	23.0	G4	2,466	EG
ACB530-U1-031A-4	R3	15	23.0	G4	20	31.0	H4	2,761	EG
ACB530-U1-038A-4	R3	20	31.0	H4	25	38.0	I4	3,353	EG
ACB530-U1-045A-4	R3	25	38.0	I4	30	44.0	J4	4,142	EG
ACB530-U1-059A-4	R4	30	44.0	J4	40	59.0	K4	4,930	EG
ACB530-U1-072A-4	R4	40	59.0	K4	50	72.0	L4	5,719	EG
ACB530-U1-078A-4	R4	50	65.0	L4	60	77.0	M4	7,100	EG
ACB530-U1-097A-4	R4	60	77.0	M4	75	96.0	N4	9,266	EG
ACB530-U1-125A-4	R5	75	96.0	N4	100	124.0	P4	10,748	EG
ACB530-U1-157A-4	R6	100	124.0	P4	125	157.0	Q4	12,424	EG
ACB530-U1-180A-4	R6	125	156.0	Q4	150	180.0	R4	13,311	EG
ACB530-U1-246A-4	R6	150	192.0	R4	200	245.0	S4	17,164	EG
ACB530-PC-316A-4	R8	200	240.0	S4	250	316.0	T4	23,686	EH
ACB530-PC-368A-4	R8	250	302.0	T4	300	368.0	U4	36,417	EH
ACB530-PC-414A-4	R8	300	368.0	U4	350	414.0	V4	41,085	EH
ACB530-PC-486A-4	R8	350	414.0	V4	400	486.0	W4	48,313	EH

ACB530 - 600V, 50/60Hz, 3-Phase

Catalog Number	Heavy Duty				Normal Duty			List Price	Mult. Sym.
	Frame	Hp	Cont. Amps	Matched Perf. Motor Code	Hp	Cont. Amps	Matched Perf. Motor Code		
ACB530-U1-02A7-6	R2	1.5	2.4	A5	2	2.7	B5	1,362	EG
ACB530-U1-03A9-6	R2	2	2.7	B5	3	3.9	C5	1,651	EG
ACB530-U1-06A1-6	R2	3	3.9	C5	5	6.1	D5	1,801	EG
ACB530-U1-09A0-6	R2	5	6.1	D5	7.5	9.0	E5	1,952	EG
ACB530-U1-011A-6	R2	7.5	9.0	E5	10	11.0	F5	2,473	EG
ACB530-U1-017A-6	R2	10	11.0	F5	15	17.0	G5	2,713	EG
ACB530-U1-022A-6	R3	15	17.0	G5	20	22.0	H5	3,471	EG
ACB530-U1-027A-6	R3	20	22.0	H5	25	27.0	I5	4,123	EG
ACB530-U1-032A-6	R4	25	27.0	I5	30	32.0	J5	5,098	EG
ACB530-U1-041A-6	R4	30	32.0	J5	40	41.0	K5	6,182	EG
ACB530-U1-052A-6	R4	40	41.0	K5	50	52.0	L5	7,592	EG
ACB530-U1-062A-6	R4	50	52.0	L5	60	62.0	M5	9,111	EG
ACB530-U1-077A-6	R6	60	62.0	M5	75	77.0	N5	10,195	EG
ACB530-U1-099A-6	R6	75	77.0	N5	100	99.0	P5	11,822	EG
ACB530-U1-125A-6	R6	100	99.0	P5	125	125.0	Q5	15,185	EG
ACB530-U1-144A-6	R6	125	125.0	Q5	150	144.0	R5	16,269	EG

Definite Purpose Motors

Unit Handling Motors

Brake Motors

IEC Frame Motors

50 Hertz Motors

Inverter/Vector Motors & Controls

DC Motors and Controls

Gearmotors and Gear Products

Motor Accessories

Grinders

ACB530 Inverter/Encoderless Vector - NEMA 12 Enclosure

ACB530 - 230V, 50/60Hz, 1-Phase Ratings based on 50% de-rate of 3-Phase Drive

Catalog Number	Heavy Duty				Normal Duty			List Price	Mult. Sym.
	Frame	Hp	Cont. Amps	Matched Perf. Motor Code	Hp	Cont. Amps	Matched Perf. Motor Code		
ACB530-U1-07A5-2+B055	R1	0.75	3.3	A2	0.75	3.8	A2	1,205	EG
ACB530-U1-012A-2+B055	R1	0.75	3.8	A2	1	5.9	B2	1,580	EG
ACB530-U1-017A-2+B055	R1	1	5.9	B2	2	8.4	C2	1,800	EG
ACB530-U1-024A-2+B055	R2	2	8.4	C2	3	12.1	D2	2,412	EG
ACB530-U1-031A-2+B055	R2	3	12.1	D2	5	15.4	E2	2,852	EG
ACB530-U1-046A-2+B055	R3	5	15.4	E2	7.5	23.1	F2	3,538	EG
ACB530-U1-059A-2+B055	R3	7.5	23.1	F2	10	29.7	G2	4,422	EG
ACB530-U1-075A-2+B055	R4	10	29.7	G2	10	37.4	H2	5,410	EG
ACB530-U1-088A-2+B055	R4	10	37.4	H2	15	44	H2	5,972	EG
ACB530-U1-114A-2+B055	R4	15	44	H2	20	57	I2	6,875	EG
ACB530-U1-143A-2+B055	R6	20	57	I2	25	71.5	J2	8,618	EG
ACB530-U1-178A-2+B055	R6	25	75	J2	30	89	K2	11,092	EG
ACB530-U1-221A-2+B055	R6	30	89	K2	40	110.5	L2	14,216	EG
ACB530-U1-248A-2+B055	R6	30	96		40	124	M2	15,704	EG

ACB530 - 230V, 50/60Hz, 3-Phase

Catalog Number	Heavy Duty				Normal Duty			List Price	Mult. Sym.
	Frame	Hp	Cont. Amps	Matched Perf. Motor Code	Hp	Cont. Amps	Matched Perf. Motor Code		
ACB530-U1-07A5-2+B055	R1	1.5	6.6	C2	2	7.5	B2	1,205	EG
ACB530-U1-012A-2+B055	R1	2	7.5	D2	3	11.8	C2	1,580	EG
ACB530-U1-017A-2+B055	R1	3	11.8	E2	5	16.7	D2	1,800	EG
ACB530-U1-024A-2+B055	R2	5	16.7	F2	7.5	24.2	E2	2,412	EG
ACB530-U1-031A-2+B055	R2	7.5	24.2	G2	10	30.8	F2	2,852	EG
ACB530-U1-046A-2+B055	R3	10	30.8	H2	15	46.2	G2	3,538	EG
ACB530-U1-059A-2+B055	R3	15	46.2	I2	20	59.4	H2	4,422	EG
ACB530-U1-075A-2+B055	R4	20	59.4	J2	25	74.8	I2	5,410	EG
ACB530-U1-088A-2+B055	R4	25	74.8	K2	30	88.0	J2	5,972	EG
ACB530-U1-114A-2+B055	R4	30	88	L2	40	114.0	K2	6,875	EG
ACB530-U1-143A-2+B055	R6	40	114	M2	50	143.0	L2	8,618	EG
ACB530-U1-178A-2+B055	R6	50	150	N2	60	178.0	M2	11,092	EG
ACB530-U1-221A-2+B055	R6	60	178	P2	75	221.0	N2	14,216	EG
ACB530-U1-248A-2+B055	R6	75	192	Q2	100	248.0	P2	15,704	EG



ACB530 - 460V, 50/60Hz, 3-Phase

Catalog Number	Heavy Duty				Normal Duty			List Price	Mult. Sym.
	Frame	Hp	Cont. Amps	Matched Perf. Motor Code	Hp	Cont. Amps	Matched Perf. Motor Code		
ACB530-U1-04A1-4+B055	R1	1.5	3.3	A4	2	4.1	B4	1,657	EG
ACB530-U1-06A9-4+B055	R1	2	5.4	B4	3	6.9	C4	1,805	EG
ACB530-U1-08A8-4+B055	R1	3	6.9	C4	5	8.8	D4	2,135	EG
ACB530-U1-012A-4+B055	R1	5	8.8	D4	7.5	11.9	E4	2,302	EG
ACB530-U1-015A-4+B055	R2	7.5	11.9	E4	10	15.4	F4	2,811	EG
ACB530-U1-023A-4+B055	R2	10	15.4	F4	15	23.0	G4	3,058	EG
ACB530-U1-031A-4+B055	R3	15	23.0	G4	20	31.0	H4	3,523	EG
ACB530-U1-038A-4+B055	R3	20	31.0	H4	25	38.0	I4	4,713	EG
ACB530-U1-045A-4+B055	R3	25	38.0	I4	30	44.0	J4	5,512	EG
ACB530-U1-059A-4+B055	R4	30	44.0	J4	40	59.0	K4	6,296	EG
ACB530-U1-072A-4+B055	R4	40	59.0	K4	50	72.0	L4	7,742	EG
ACB530-U1-078A-4+B055	R4	50	65.0	L4	60	77.0	M4	9,071	EG
ACB530-U1-097A-4+B055	R4	60	77.0	M4	75	96.0	N4	10,343	EG
ACB530-U1-125A-4+B055	R5	75	96.0	N4	100	124.0	P4	12,294	EG
ACB530-U1-157A-4+B055	R6	100	124.0	P4	125	157.0	Q4	15,827	EG
ACB530-U1-180A-4+B055	R6	125	156.0	Q4	150	180.0	R4	17,211	EG
ACB530-U1-246A-4+B055	R6	150	192.0	R4	200	245.0	S4	21,947	EG
ACB530-PC-316A-4+B055	R8	200	240.0	S4	250	316.0	T4	31,446	EH
ACB530-PC-368A-4+B055	R8	250	302.0	T4	300	368.0	U4	40,945	EH
ACB530-PC-414A-4+B055	R8	300	368.0	U4	350	414.0	V4	42,813	EH
ACB530-PC-486A-4+B055	R8	350	414.0	V4	400	486.0	W4	49,688	EH
ACB530-PC-526A-4+B055	R8	400	477	W4	450	526		57,500	EH
ACB530-PC-602A-4+B055	R8	450	515		500	602	X4	59,159	EH
ACB530-PC-645A-4+B055	R8	500	590	X4	550	645		62,033	EH

ACB530 - 600V, 50/60Hz, 3-Phase

Catalog Number	Heavy Duty				Normal Duty			List Price	Mult. Sym.
	Frame	Hp	Cont. Amps	Matched Perf. Motor Code	Hp	Cont. Amps	Matched Perf. Motor Code		
ACB530-U1-02A7-6+B055	R2	1.5	2.4	A5	2	2.7	B5	2,235	EG
ACB530-U1-03A9-6+B055	R2	2	2.7	B5	3	3.9	C5	2,540	EG
ACB530-U1-06A1-6+B055	R2	3	3.9	C5	5	6.1	D5	2,780	EG
ACB530-U1-09A0-6+B055	R2	5	6.1	D5	7.5	9.0	E5	3,026	EG
ACB530-U1-011A-6+B055	R2	7.5	9.0	E5	10	11.0	F5	3,577	EG
ACB530-U1-017A-6+B055	R2	10	11.0	F5	15	17.0	G5	4,062	EG
ACB530-U1-022A-6+B055	R3	15	17.0	G5	20	22.0	H5	5,378	EG
ACB530-U1-027A-6+B055	R3	20	22.0	H5	25	27.0	I5	6,211	EG
ACB530-U1-032A-6+B055	R4	25	27.0	I5	30	32.0	J5	7,319	EG
ACB530-U1-041A-6+B055	R4	30	32.0	J5	40	41.0	K5	8,491	EG
ACB530-U1-052A-6+B055	R4	40	41.0	K5	50	52.0	L5	10,015	EG
ACB530-U1-062A-6+B055	R4	50	52.0	L5	60	62.0	M5	11,692	EG
ACB530-U1-077A-6+B055	R6	60	62.0	M5	75	77.0	N5	12,862	EG
ACB530-U1-099A-6+B055	R6	75	77.0	N5	100	99.0	P5	15,271	EG
ACB530-U1-125A-6+B055	R6	100	99.0	P5	125	125.0	Q5	19,626	EG
ACB530-U1-144A-6+B055	R6	125	125.0	Q5	150	144.0	R5	20,601	EG

ACB530 +L502 AC Vector Drive



3/4 thru 40 Hp	230 Vac	1 Phase - 50/60 Hz
1.5 thru 100 Hp	230 Vac	3 Phase - 50/60 Hz
1.5 thru 550 Hp	460 Vac	3 Phase - 50/60 Hz
1 1/2 thru 150 Hp	600 Vac	3 Phase - 50/60 Hz

Applications: Variable torque, constant torque or constant horsepower applications. New installation, replacement and original equipment manufacturer (OEM).

Features: Closed-Loop Vector, Volts per Hertz or Sensorless Vector Control with peak overload capacity of 150% and PID capability. Flexible mounting options include UL type 1 & 12 enclosures. Removable keypad with operator interface and local speed control. Programming by Groups makes it easy to navigate and find parameters. A Quick Start Assistant enables users to program and start using the drive in minutes without need of the User Manual. Built-in braking transistor allows connection to remote braking resistor for enhanced performance needs (R1-R2 frames).

Patented swinging choke for superior harmonic reduction (R1-R6 frames) and AC line reactor (R8 frame)

Input Ratings	Voltage	230	460	600
	Input Voltage Range	208-240	380-480	500-600
	Input Voltage Tolerance	+10% / -15%		
	Phase	Three Phase (Single-Phase 230V with derating)		
Output Ratings	Frequency	50/60 Hz +5%		
	Horsepower	3/4-40 Hp @ 230VAC, 1 Ph; 1.5-100 Hp @ 230VAC, 3 Ph; 1.5-550 Hp @ 460VAC, 3 Ph; 1-150 Hp @ 600VAC, 3 Ph		
	Overload Capacity	Heavy Duty (Constant Torque) = 150% for 60 seconds, 175% for 3 seconds Normal Duty (Variable Torque) = 110% for 60 seconds		
	Frequency	0-500 Hz		
Protective Features	Voltage	0 to maximum input voltage (RMS)		
	Overcurrent	Excessive Output Current		
	DC Overvoltage	High DC Bus		
	Overtemp	Drive heatsink above operating temperature		
	Short Circuit	Short on motor output terminals		
	Undervoltage	Low Voltage on Drive Input		
	Loss of Reference	Analog Input programmed for 4-20ma but signal less than 4ma		
	Motor Overtemp	Excessive estimated Motor Temperature		
	Loss of Keypad	Drive will trip if under keypad control and keypad communication is lost		
	Motor Model Calc Fail	Drive will trip if Motor Model cannot be determined - Sensorless Vector Control		
	Motor Stall	Motor cannot achieve commanded speed due to excessive load		
Environmental Conditions	Ground Fault	Ground Fault detected in motor or motor cabling		
	Motor Phase Fault	Loss of one of the motor phases		
	Temperature	-10 to 40°C. -10 to 50°C w/ derate		
	Cooling	Forced air		
	Enclosure	UL Type 1 UL Type 12		
Keypad Display	Altitude	Sea level to 3300 ft. (1000 m) Derate 1% per 330 ft. (100 m) up to 6600 ft. (2000 m)		
	Humidity	0 to 95% RH Non-Condensing		
	Display	LCD Graphical		
	Keys	8 key keypad with tactile response		
Control Specifications	Functions	Output status monitoring, Digital speed control, Parameter setting and display, Diagnostic and Fault log display, Motor run, Local/Remote toggle		
	Remote Mount	Keypad may be mounted up to 10 ft. using appropriate cable (see Options for kit)		
	Trip	Last three faults stored in Fault History		
	PWM Frequency	Adjustable 1.5-5 kHz STD, 5-16 kHz quiet		
	Frequency Setting	1, 4, 8, 12 kHz (up to 150 Hp); 1 or 4 kHz (over 150 Hp)		
	Accel/Decel	0-1800 seconds		
	V/Hz Ratio	Linear or squared reduced		
	Speed Control Accuracy	20% of motor slip		
Analog Inputs	Skip Frequency	Three zones 0-Max frequency		
	PC Setup Software	Drive Window Light		
	Maximum Output Frequency	500 Hz		
	Selectable Operating Modes	2-Wire, 3-Wire, Baldor 3-Wire, Motor Potentiometer, Hand/Auto, PID		
Analog Outputs	Two Single-ended	0 (2) to 10 V, Rin > 312 kΩ single-ended 0 (4) to 20 mA, Rin = 100 Ω single-ended		
	Accuracy	±1%		
Motor Feedback	Two Current Outputs	0 (4) to 20 mA, load < 500 Ω		
	Accuracy	±3%		
Motor Feedback	Type	Digital Pulse Encoder		
	Pulses/Rev.	Up to 16,384; 1024 standard; 200 kHz max		
	Input	2 Channels in Quadrature, 24VDC, single-ended or differential		
	Marker Pulse	Required for orientation		

Definite Purpose Motors

Unit Handling Motors

Brake Motors

IEC Frame Motors

50 Hertz Motors

Inverter/Vector Motors & Controls

DC Motors and Controls

Gearmotors and Gear Products

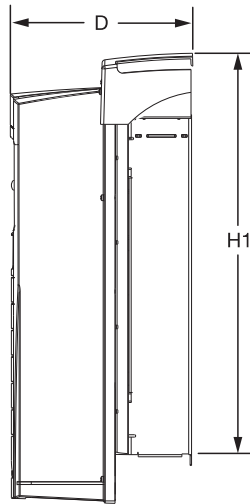
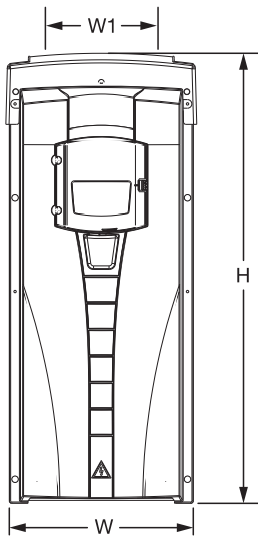
Motor Accessories

Grinders

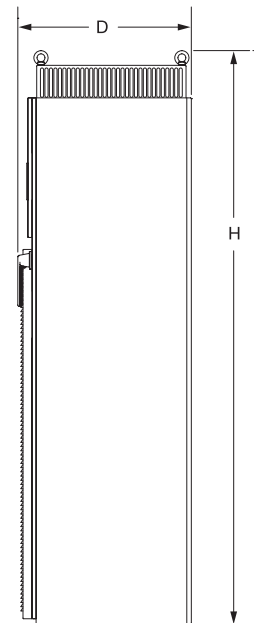
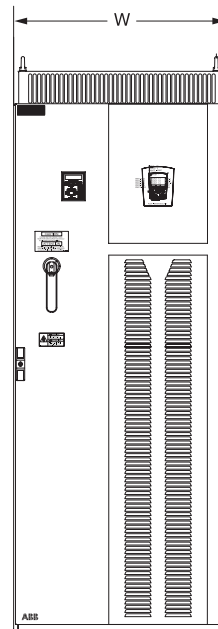
ACB530 +L502 AC Vector Drive continued

Digital Inputs	Six Digital Inputs	12 V... 24 VDC with internal or external supply Pull-up or Pull-down (PNP or NPN)
	Input Impedance	2.4 kΩ
	Maximum delay	5 ms ± 1ms
Digital Outputs	Maximum switching voltage	250 VAC / 30 VDC
	Maximum switching current	6 A/30 VDC; 1500 V A/230 VAC
	Maximum continuous current	2 A rms

Dimensions and Weights



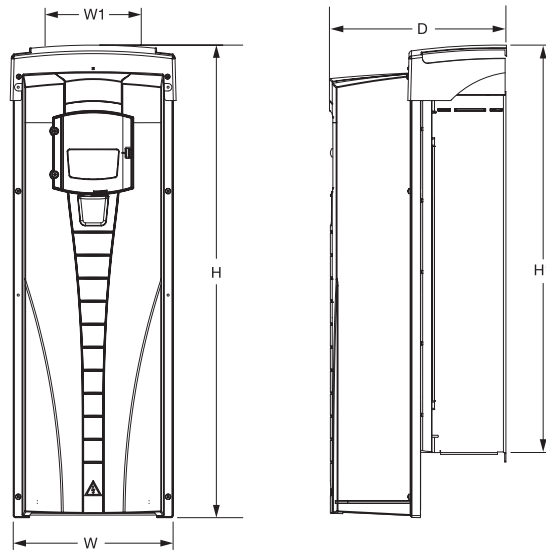
Wall Mount (R1-R6)



Floor Mount (R7-R8)

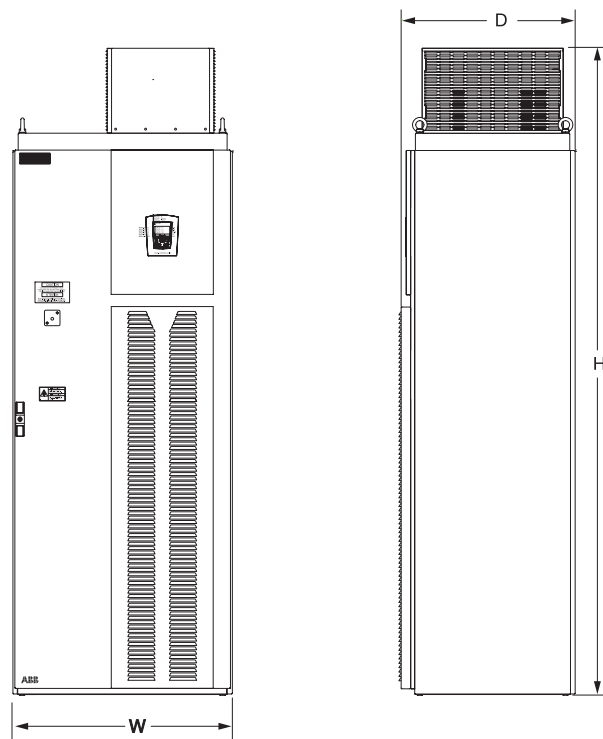
Frame	Product Dimensions						
	H1	W1	Mounting Hardware	H	W	D	Weight
R1	12.5	3.9	#10	14.5	4.9	8.3	14.3
R2	16.4	3.9	#10	18.5	4.9	8.7	19.5
R3	18.6	6.3	#10	23	8	9.1	35
R4	22.8	6.3	#10	27.1	8	10.3	53
R5	23.2	9.4	0.25	29	10.5	11.3	75
R6	26.6	10.4	0.25	35	11.9	15.8	152
R7	Free Standing		NA	59.2	24	19.5	430
R8	Free Standing		NA	83.9	31.5	23	827

NEMA 12 Dimensions and Weights



Wall Mount (R1 - R6)

Frame	Product Dimensions						
	H1	W1	Mounting Hardware	H	W	D	Weight
R1	12.5	3.9	#10	18.1	8.4	9.2	17.6
R2	16.4	3.9	#10	22.1	8.4	9.6	24.3
R3	18.6	6.3	#10	24.8	10.1	10	37.5
R4	22.8	6.3	#10	29.9	10.1	11.2	57.3
R5	23.2	9.4	0.25	30.5	14.5	12.2	92.6
R6	26.6	10.4	0.25	36.4	16.1	16.7	190



Floor Mount (R8)

Dim	Product Dimensions						
	H1	W1	Mounting Hardware	H	W	D	Weight
PX12-8	Free Standing		NA	93.6	31.7	25.9	838

Definite Purpose Motors

Unit Handling Motors

Brake Motors

IEC Frame Motors

50 Hertz Motors

Inverter/Vector Motors & Controls

DC Motors and Controls

Gearmotors and Gear Products

Motor Accessories

Grinders



ACB530 +L502 Vector - NEMA 1 Enclosure

ACB530 +L502 - 230V, 50/60Hz, 1-Phase Ratings based on 50% de-rate of 3-Phase Drive

Table with 10 columns: Catalog Number, Frame, Hp, Cont. Amps, Matched Perf. Motor Code, Hp, Cont. Amps, Matched Perf. Motor Code, List Price, Mult. Sym. Rows include models like ACB530-U1-07A5-2+L502 to ACB530-U1-248A-2+L502.

ACB530 +L502 - 230V, 50/60Hz, 3-Phase

Table with 10 columns: Catalog Number, Frame, Hp, Cont. Amps, Matched Perf. Motor Code, Hp, Cont. Amps, Matched Perf. Motor Code, List Price, Mult. Sym. Rows include models like ACB530-U1-07A5-2+L502 to ACB530-U1-248A-2+L502.

Definite Purpose Motors

Unit Handling Motors

Brake Motors

IEC Frame Motors

50 Hertz Motors

Inverter/Vector Motors & Controls

DC Motors and Controls

Gearmotors and Gear Products

Motor Accessories

Grinders

ACB530 +L502 - 460V, 50/60Hz, 3-Phase

Catalog Number	Heavy Duty				Normal Duty			List Price	Mult. Sym.
	Frame	Hp	Cont. Amps	Matched Perf. Motor Code	Hp	Cont. Amps	Matched Perf. Motor Code		
ACB530-U1-04A1-4+L502	R1	1.5	3.3	A4	2	4.1	B4	1,677	EG
ACB530-U1-06A9-4+L502	R1	2	5.4	B4	3	6.9	C4	1,742	EG
ACB530-U1-08A8-4+L502	R1	3	6.9	C4	5	8.8	D4	1,923	EG
ACB530-U1-012A-4+L502	R1	5	8.8	D4	7.5	11.9	E4	2,169	EG
ACB530-U1-015A-4+L502	R2	7.5	11.9	E4	10	15.4	F4	2,494	EG
ACB530-U1-023A-4+L502	R2	10	15.4	F4	15	23.0	G4	2,831	EG
ACB530-U1-031A-4+L502	R3	15	23.0	G4	20	31.0	H4	3,206	EG
ACB530-U1-038A-4+L502	R3	20	31.0	H4	25	38.0	I4	3,893	EG
ACB530-U1-045A-4+L502	R3	25	38.0	I4	30	44.0	J4	4,556	EG
ACB530-U1-059A-4+L502	R4	30	44.0	J4	40	59.0	K4	5,423	EG
ACB530-U1-072A-4+L502	R4	40	59.0	K4	50	72.0	L4	6,641	EG
ACB530-U1-078A-4+L502	R4	50	65.0	L4	60	77.0	M4	8,243	EG
ACB530-U1-097A-4+L502	R4	60	77.0	M4	75	96.0	N4	9,761	EG
ACB530-U1-125A-4+L502	R5	75	96.0	N4	100	124.0	P4	11,437	EG
ACB530-U1-157A-4+L502	R6	100	124.0	P4	125	157.0	Q4	13,212	EG
ACB530-U1-180A-4+L502	R6	125	156.0	Q4	150	180.0	R4	14,000	EG
ACB530-U1-246A-4+L502	R6	150	192.0	R4	200	245.0	S4	18,880	EG
ACB530-PC-316A-4+L502	R8	200	240.0	S4	250	316.0	T4	26,055	EH
ACB530-PC-368A-4+L502	R8	250	302.0	T4	300	368.0	U4	40,059	EH
ACB530-PC-414A-4+L502	R8	300	368.0	U4	350	414.0	V4	45,194	EH
ACB530-PC-486A-4+L502	R8	350	414.0	V4	400	486.0	W4	53,144	EH

ACB530 - 600V, 50/60Hz, 3-Phase

Catalog Number	Heavy Duty			Normal Duty		List Price	Mult. Sym.
	Frame	Hp	Cont. Amps	Hp	Cont. Amps		
ACB530-U1-02A7-6+L502	R2	1.5	2.4	2	2.7	1,952	EG
ACB530-U1-03A9-6+L502	R2	2	2.7	3	3.9	2,029	EG
ACB530-U1-06A1-6+L502	R2	3	3.9	5	6.1	2,115	EG
ACB530-U1-09A0-6+L502	R2	5	6.1	7.5	9.0	2,386	EG
ACB530-U1-011A-6+L502	R2	7.5	9.0	10	11.0	2,743	EG
ACB530-U1-017A-6+L502	R2	10	11.0	15	17.0	3,116	EG
ACB530-U1-022A-6+L502	R3	15	17.0	20	22.0	3,905	EG
ACB530-U1-027A-6+L502	R3	20	22.0	25	27.0	4,556	EG
ACB530-U1-032A-6+L502	R4	25	27.0	30	32.0	5,748	EG
ACB530-U1-041A-6+L502	R4	30	32.0	40	41.0	6,725	EG
ACB530-U1-052A-6+L502	R4	40	41.0	50	52.0	8,460	EG
ACB530-U1-062A-6+L502	R4	50	52.0	60	62.0	9,978	EG
ACB530-U1-077A-6+L502	R6	60	62.0	75	77.0	11,334	EG
ACB530-U1-099A-6+L502	R6	75	77.0	100	99.0	13,280	EG
ACB530-U1-125A-6+L502	R6	100	99.0	125	125.0	16,149	EG
ACB530-U1-144A-6+L502	R6	125	125.0	150	144.0	17,112	EG

ACB530 +L502 Vector - NEMA 12 Enclosure

ACB530 +L502 - 230V, 50/60Hz,

1-Phase Ratings based on 50% de-rate of 3-Phase Drive

Catalog Number	Heavy Duty				Normal Duty			List Price	Mult. Sym.
	Frame	Hp	Cont. Amps	Matched Perf. Motor Code	Hp	Cont. Amps	Matched Perf. Motor Code		
ACB530-U1-07A5-2+B055+L502	R1	0.75	3.3	A2	0.75	3.8	A2	1,421	EG
ACB530-U1-012A-2+B055+L502	R1	0.75	3.8	A2	1	5.9	B2	1,950	EG
ACB530-U1-017A-2+B055+L502	R1	1	5.9	B2	2	8.4	C2	2,137	EG
ACB530-U1-024A-2+B055+L502	R2	2	8.4	C2	3	12.1	D2	2,631	EG
ACB530-U1-031A-2+B055+L502	R2	3	12.1	D2	5	15.4	E2	3,130	EG
ACB530-U1-046A-2+B055+L502	R3	5	15.4	E2	7.5	23.1	F2	3,867	EG
ACB530-U1-059A-2+B055+L502	R3	7.5	23.1	F2	10	29.7	G2	4,691	EG
ACB530-U1-075A-2+B055+L502	R4	10	29.7	G2	10	37.4	H2	5,811	EG
ACB530-U1-088A-2+B055+L502	R4	10	37.4	H2	15	44	H2	6,593	EG
ACB530-U1-114A-2+B055+L502	R4	15	44	H2	20	57	I2	7,772	EG
ACB530-U1-143A-2+B055+L502	R6	20	57	I2	25	71.5	J2	9,856	EG
ACB530-U1-178A-2+B055+L502	R6	25	75	J2	30	89	K2	12,177	EG
ACB530-U1-221A-2+B055+L502	R6	30	89	K2	40	110.5	L2	15,699	EG
ACB530-U1-248A-2+B055+L502	R6	30	96		40	124	M2	17,187	EG

ACB530 +L502 - 230V, 50/60Hz, 3-Phase

Catalog Number	Heavy Duty				Normal Duty			List Price	Mult. Sym.
	Frame	Hp	Cont. Amps	Matched Perf. Motor Code	Hp	Cont. Amps	Matched Perf. Motor Code		
ACB530-U1-07A5-2+B055+L502	R1	2	6.6	C2	1.5	7.5	B2	1,421	EG
ACB530-U1-012A-2+B055+L502	R1	3	7.5	D2	2	11.8	C2	1,950	EG
ACB530-U1-017A-2+B055+L502	R1	5	11.8	E2	3	16.7	D2	2,137	EG
ACB530-U1-024A-2+B055+L502	R2	7.5	16.7	F2	5	24.2	E2	2,631	EG
ACB530-U1-031A-2+B055+L502	R2	10	24.2	G2	7.5	30.8	F2	3,130	EG
ACB530-U1-046A-2+B055+L502	R3	15	30.8	H2	10	46.2	G2	3,867	EG
ACB530-U1-059A-2+B055+L502	R3	20	46.2	I2	15	59.4	H2	4,691	EG
ACB530-U1-075A-2+B055+L502	R4	25	59.4	J2	20	74.8	I2	5,811	EG
ACB530-U1-088A-2+B055+L502	R4	30	74.8	K2	25	88.0	J2	6,593	EG
ACB530-U1-114A-2+B055+L502	R4	40	88	L2	30	114.0	K2	7,772	EG
ACB530-U1-143A-2+B055+L502	R6	50	114	M2	40	143.0	L2	9,856	EG
ACB530-U1-178A-2+B055+L502	R6	60	150	N2	50	178.0	M2	12,177	EG
ACB530-U1-221A-2+B055+L502	R6	75	178	P2	60	221.0	N2	15,699	EG
ACB530-U1-248A-2+B055+L502	R6	100	192	Q2	75	248.0	P2	17,187	EG

Definite Purpose Motors

Unit Handling Motors

Brake Motors

IEC Frame Motors

50 Hertz Motors

Inverter/Vector Motors & Controls

DC Motors and Controls

Gearmotors and Gear Products

Motor Accessories

Grinders

ACB530 +L502 - 460V, 50/60Hz, 3-Phase

Catalog Number	Heavy Duty				Normal Duty			List Price	Mult. Sym.
	Frame	Hp	Cont. Amps	Matched Perf. Motor Code	Hp	Cont. Amps	Matched Perf. Motor Code		
ACB530-U1-04A1-4+B055+L502	R1	1.5	3.3	A4	2	4.1	B4	2,118	EG
ACB530-U1-06A9-4+B055+L502	R1	2	5.4	B4	3	6.9	C4	2,196	EG
ACB530-U1-08A8-4+B055+L502	R1	3	6.9	C4	5	8.8	D4	2,421	EG
ACB530-U1-012A-4+B055+L502	R1	5	8.8	D4	7.5	11.9	E4	2,695	EG
ACB530-U1-015A-4+B055+L502	R2	7.5	11.9	E4	10	15.4	F4	3,056	EG
ACB530-U1-023A-4+B055+L502	R2	10	15.4	F4	15	23.0	G4	3,423	EG
ACB530-U1-031A-4+B055+L502	R3	15	23.0	G4	20	31.0	H4	3,968	EG
ACB530-U1-038A-4+B055+L502	R3	20	31.0	H4	25	38.0	I4	5,253	EG
ACB530-U1-045A-4+B055+L502	R3	25	38.0	I4	30	44.0	J4	5,926	EG
ACB530-U1-059A-4+B055+L502	R4	30	44.0	J4	40	59.0	K4	6,789	EG
ACB530-U1-072A-4+B055+L502	R4	40	59.0	K4	50	72.0	L4	8,664	EG
ACB530-U1-078A-4+B055+L502	R4	50	65.0	L4	60	77.0	M4	10,214	EG
ACB530-U1-097A-4+B055+L502	R4	60	77.0	M4	75	96.0	N4	10,838	EG
ACB530-U1-125A-4+B055+L502	R5	75	96.0	N4	100	124.0	P4	12,983	EG
ACB530-U1-157A-4+B055+L502	R6	100	124.0	P4	125	157.0	Q4	16,615	EG
ACB530-U1-180A-4+B055+L502	R6	125	156.0	Q4	150	180.0	R4	17,900	EG
ACB530-U1-246A-4+B055+L502	R6	150	192.0	R4	200	245.0	S4	23,063	EG
ACB530-PC-316A-4+B055+L502	R8	200	240.0	S4	250	316.0	T4	33,815	EH
ACB530-PC-368A-4+B055+L502	R8	250	302.0	T4	300	368.0	U4	44,587	EH
ACB530-PC-414A-4+B055+L502	R8	300	368.0	U4	350	414.0	V4	46,924	EH
ACB530-PC-486A-4+B055+L502	R8	350	414.0	V4	400	486.0	W4	54,519	EH
ACB530-PC-526A-4+B055+L502	R8	400	477	W4	450	526		63,675	EH
ACB530-PC-602A-4+B055+L502	R8	450	515		500	602	X4	65,500	EH
ACB530-PC-645A-4+B055+L502	R8	500	590	X4	550	645		68,661	EH

ACB530 +L502 - 600V, 50/60Hz, 3-Phase

Catalog Number	Heavy Duty			Normal Duty		List Price	Mult. Sym.
	Frame	Hp	Cont. Amps	Hp	Cont. Amps		
ACB530-U1-02A7-6+B055+L502	R2	1.5	2.4	2	2.7	3,250	EG
ACB530-U1-03A9-6+B055+L502	R2	2	2.7	3	3.9	3,343	EG
ACB530-U1-06A1-6+B055+L502	R2	3	3.9	5	6.1	3,519	EG
ACB530-U1-09A0-6+B055+L502	R2	5	6.1	7.5	9.0	3,885	EG
ACB530-U1-011A-6+B055+L502	R2	7.5	9.0	10	11.0	4,272	EG
ACB530-U1-017A-6+B055+L502	R2	10	11.0	15	17.0	4,890	EG
ACB530-U1-022A-6+B055+L502	R3	15	17.0	20	22.0	6,237	EG
ACB530-U1-027A-6+B055+L502	R3	20	22.0	25	27.0	7,069	EG
ACB530-U1-032A-6+B055+L502	R4	25	27.0	30	32.0	8,394	EG
ACB530-U1-041A-6+B055+L502	R4	30	32.0	40	41.0	9,459	EG
ACB530-U1-052A-6+B055+L502	R4	40	41.0	50	52.0	11,308	EG
ACB530-U1-062A-6+B055+L502	R4	50	52.0	60	62.0	12,984	EG
ACB530-U1-077A-6+B055+L502	R6	60	62.0	75	77.0	14,426	EG
ACB530-U1-099A-6+B055+L502	R6	75	77.0	100	99.0	17,154	EG
ACB530-U1-125A-6+B055+L502	R6	100	99.0	125	125.0	21,015	EG
ACB530-U1-144A-6+B055+L502	R6	125	125.0	150	144.0	21,869	EG

ACB530 and ACB530 +L502 Option Kits

Catalog Number		List Price	Mult. Sym.
OHD1-01	The 115/230V Digital Input Interface module offers six (6) 115V or three (3) 230V rated relays mounted on a common board used to drive DI1 through DI6 of the ACB530. The 115/230V must be provided by the user.	300	EG
OPMP-01	Control Panel Mounting Platform allows remote mounting of the keypad on a large enclosure or remote panel. The kit maintains UL Type 12 integrity of the mounting location. Adapters, 3 m (10 ft) cable and mounting hardware are included in this kit. With this mounting arrangement, the keypad is removable from the panel in a fashion identical to a drive-mounted keypad.	138	ES
OCAT-01	7 ft CAT 5 patch cable allows remote operation of the standard panel or connection of the drive to a Personal Computer using the RJ45/DB9 Adapter which must be purchased separately.	40	ES
ACS/H-CP-EXT	Control Panel Mounting Kit for ACB530 drives allows remote mounting of the ACB530 keypad on the door of an enclosure. The kit includes a 10 ft (3 m) CAT 5 patch cable, gasket for NEMA 12, mounting hardware and drilling template.	55	ES
ACS/H-CP-EXT-IP66	Allows remote mounting of the ACB-CP-BA Operator Panels on a larger NEMA 4X (IP66) enclosure or remote panel. The kit maintains NEMA 4X integrity of the mounting location. All hardware and a mounting template are provided in addition to a 3 m panel cable. The operator is not removable from the front of the enclosure when mounted. The operator panel must be purchased separately.	63	ES
RDNA-01	The DeviceNet network uses a linear bus topology. Terminating resistors are required on each end of the trunk line. Drop lines as long as 6 m (20 ft) each are permitted, allowing the attachment of one or more nodes. DeviceNet allows branching structures only on drop lines.	465	ES
RPBA-01	PROFIBUS is an open serial communication standard that enables data exchange between different automation components. The physical transmission medium of the bus is a twisted pair cable (according to the RS-485 standard). The maximum length of the bus cable is 100 m to 1200 m, depending on the selected transmission rate. Up to 31 stations can be connected to the same PROFIBUS system without the use of repeaters.	465	ES
RETA-01	The RETA-01 Adapter module supports the Modbus/TCP and EtherNet/IP network protocols. Modbus/TCP is a variant of the Modbus family of simple, vendor-neutral communication protocols intended for supervision and control of automation equipment. The implementation of the Modbus/TCP server in the RETA-01 module is done according to the Modbus/TCP Specification 1.0. The Modbus/TCP protocol allows the RETA-01 module to be used as an Ethernet bridge to control the drive. The RETA-01 module supports eight simultaneous IP connections. Ethernet/IP is based on the Common Industrial Protocol (CIP), which is also the framework for both the ControlNet and DeviceNet networks. Ethernet/IP uses standard Ethernet and TCP/IP technology to transport CIP communication packets. The module fulfills all requirements for certification as an Ethernet/IP device.	465	ES
RCNA-01	The ControlNet network uses an RG-6 quad shielded cable or fiber with support for media redundancy. The RCNA-01 Adapter module supports only RG-6 quad shielded cable (coax) for the bus connection. ControlNet is flexible in topology options (bus, tree, star) to meet various application needs. The fieldbus speed is 5 Mbits/s. The RCNA-01 ControlNet Adapter module can not originate connections on its own, but a scanner node can open a connection towards it. The ControlNet protocol is implemented according to the ControlNet International specification for a Communication adapter.	595	ES
RECA-01	The RECA-01 module supports EtherCAT® network protocol. EtherCAT® is a Real Time Ethernet technology which aims to maximize the use of the full duplex Ethernet bandwidth. It overcomes the overhead normally associated with Ethernet by employing "on the fly" processing hardware. An EtherCAT® bus consists of a master system and up to 65535 slave devices, connected together with standard Ethernet cabling. The RECA-01 supports 10/100 Mbps transfer rate with network connections made with CAT 5 wiring and RJ-45 connectors. Designed for daisy chain configuration on an EtherCAT® network.	525	ES
3AFE64532871	DriveWindow Light is software designed for online drive commissioning and maintenance, making it possible to adjust parameters, read the actual values and control the drive with DriveWindow Light instead of the drive control panel. It is also possible to follow trends and draw graphs. An RJ45 to DB9 adapter cable (OPCA-02) is provided to permit connection between the panel port and a PC.	275	ES
OPCA-01	This adapter converts the drive's panel port RJ45 (CAT 5 cable connector) plug to a 9 pin RS-232 computer serial port connector for connecting the drive to a PC.	50	ES
FMK-A-R1	Flange Mounting Kits for the ACB530 drives allows the drive to be mounted with the heatsink external to a 3rd party enclosure. Use of the flange kit requires removal of the drive cover, reducing protection to IP00. R1 through R4 flange kits can be used with 3rd party UL Type 1 & 12 (NEMA 1 & 12) enclosures. R5 and R6 kits provide NEMA 1 protection only.	151	EG
FMK-A-R2		192	
FMK-A-R3		250	
FMK-A-R4		319	
AC8-FLNGMT-R5		359	
AC8-FLNGMT-R6		416	

Definite Purpose Motors

Unit Handling Motors

Brake Motors

IEC Frame Motors

50 Hertz Motors

Inverter/Vector Motors & Controls

DC Motors and Controls

Gearmotors and Gear Products

Motor Accessories

Grinders

**Series 5
Micro Inverters**



**1/2 thru 2 Hp
1/2 thru 2 Hp
2 thru 3 Hp
1 thru 5 Hp**

**97-132 VAC
195-265 VAC
195-265 VAC
323-529 VAC**

**1 Phase - 50/60 Hz
1 Phase - 50/60 Hz
3 Phase - 50/60 Hz
3 Phase - 50/60 Hz**

Applications: Variable torque, constant torque or constant horsepower applications. New installations, replacements and original equipment manufacturers (OEM).

Features: NEMA 4X or open chassis mount standard. Output frequency 0.25 to 120 Hz with peak overload capacity of 150%. Separate accel/decel rates and controlled reversing.

Design Specifications

- PWM output
- Accel/decel rate adjustment
- Controlled reversing
- Adjustable current limit
- I²t motor overload protection
- Adjustable slip compensation
- Min/max output frequency adjustment
- Selectable auto/manual restart

**Operator Interface-
Enclosed Units**

- Start/Stop command
- NEMA 4X enclosure
- Power on/off
- Rotary speed control
- Fwd/Rev optional
- Auto/Manual optional

**Environmental and
Operating Conditions**

- Input voltage:
 - 1 phase 115 VAC ±15%,
 - 1 phase 230 VAC ±15%
 - 3 phase 230V ±15%
 - 3 phase 460 ± 15%
- Input frequency
50 or 60Hz ±10%
- Service Factor - 1.0
- Duty - continuous
- Humidity - 90% max RH non-condensing
- Altitude - 3300 feet max without derate
- Chassis mount or NEMA 4X enclosure as standard

Protective Features

- Selectable automatic restart after momentary power loss
- Power indicator
- Status indicator
- Adjustable time base overload
- Electronic in rush current limiting

Output Ratings	Overload Capacity	150% for 120 seconds	
	Voltage - 3 Phase	0-230 VAC (RMS), 0-460 V AC (RMS)	
Control Spec	Control Method	Sinewave carrier input, PWM output	
	PWM Frequency	Rated 8.0 kHz	
	V/Hz Ratio	Factory set for optimum output	
	Torque Boost	Factory set for 60 Hz motors. Adjustable 6-30% for 50 Hz motors	Adjustable 0-30% max
	Current Limit	Adjustable 63 to 188% of rated output	0-200%
	Frequency Setting	0-5 VDC, 0-10 VDC with external resistor network, non-isolated input	
	Accel/Decel	Separate accel/decel rates, 0.3-20 sec for 60 Hz motors	0.3-20 Sec
Protective Functions	Inverter Trip	Over voltage, over current, under voltage, motor overload, output short circuit	
	Status Indicators	Tricolor LED indicator for status and green LED indicator for power on	
	Short Circuit	Output phase to phase	
Ambient Conditions	Temperature	0-45°C	0-50°C
	Cooling	Convection 1/2 - 2 Hp; Forced Air 3-5 Hp	Convection
	Enclosure	Open chassis	NEMA 4X (IP65)

Definite Purpose Motors

Unit Handling Motors

Brake Motors

IEC Frame Motors

50 Hertz Motors

Inverter/Vector Motors & Controls

DC Motors and Controls

Gearmotors and Gear Products

Motor Accessories

Grinders

Series 5 Micro Inverters continued...

Catalog Number	Hp	kW	Input Voltage	Output Current		Braking Kit Available	Dimensions (Inches)					List Price	Mult. Sym.	Approx. Shpg. Wgt.
				Cont.	120 Sec.		Outside			Mounting Holes				
							H	W	D	H	W			
Open Chassis Mount – Single Phase Input														
ID56F50-CO	0.5	0.37	115/230	2.4	3.6	Y	4.3	3.9	2.75	3.8	2.5	395	E9	4
ID5601-CO	1	0.75	115/230	4	6	Y	4.3	3.9	5	3.87	3.7	478	E9	5
ID5602-CO	1.5 - 2 ⁽²⁾	1.13 - 1.5	115/230	5.5	8.25	N	4.67	5.58	5.7	3.87	2.5	621	E9	6
Open Chassis Mount – Three Phase Input														
ID5202-CO	2	1.5	230	6.7	10.1	N	8.55	4.68	4.5	6.5	3.9	753	E9	5
ID5203-CO	3	2.25	230	8.8	13.2	N	8.55	4.68	4.5	6.5	3.9	793	E9	5
ID5401-CO	1	0.75	460	2.5	3.75	N	8.55	4.68	4.5	6.5	3.9	820	E9	5
ID5402-CO	2	1.5	460	4	6	N	8.55	4.68	4.5	6.5	3.9	842	E9	5
ID5403-CO	3	2.25	460	4.5	6.75	N	8.55	4.68	4.5	6.5	3.9	866	E9	5
ID5405-CO	5	3.7	460	7.6	11.4	N	8.55	4.68	4.5	6.5	3.9	1,104	E9	5
NEMA 1 Enclosed - Single Phase Input														
ID5601-EO	1	0.75	115/230	4	6	N	7.13	6.25	2.75	—	—	576	E9	6
NEMA 4X Enclosed – Single Phase Input														
ID5601-WO	1	0.75	115/230	3.6	5.4	N	9.53	5.51	5.86	8.85	—	763	E9	6
ID5601-BO	1	0.75	115/230	3.6	5.4	N	9.53	5.51	5.86	8.85	—	715	E9	6
ID5602-WO	1.5 / 2 ⁽²⁾	1.13 / 1.5	115/230	5.5/6.7	8.3/10.0	N	9.8	7.55	7.25	9.25	1	1,076	E9	6
ID5602-BO	1.5 / 2 ⁽²⁾	1.13 / 1.5	115/230	5.5/6.7	8.3/10.0	N	9.8	7.55	7.25	9.25	1	1,015	E9	8
NEMA 4X Enclosed – Three Phase Input														
ID5203-WO	3	2.25	230	9	13.5	N	9.8	7.55	7.25	9.25	1	1,219	E9	6
ID5203-BO	3	2.25	230	9	13.5	N	9.8	7.55	7.25	9.25	1	1,159	E9	6
ID5205-WO	5	3.7	230	17	25.5	N	13.58	10.3	9.8	13.2	1.72	1,731	E9	22
ID5205-BO	5	3.7	230	17	25.5	N	13.8	10.3	9.8	13.2	1.72	1,645	E9	22
ID5403-WO	3 ⁽¹⁾	2.25	460	4.6	6.9	N	9.8	7.55	7.25	9.25	1	1,291	E9	6
ID5403-BO	3 ⁽¹⁾	2.25	460	4.6	6.9	N	9.8	7.55	7.25	9.25	1	1,230	E9	6
ID5405-WO	5	3.7	460	8.3	12.45	N	9.8	7.55	7.25	9.25	1	1,373	E9	6
ID5405-BO	5	3.7	460	8.3	12.45	N	9.8	7.55	7.25	9.25	1	1,315	E9	6
ID5410-WO	10 ⁽³⁾	7.5	460	16.0	24.00	N	13.8	10.3	9.8	13.2	1.72	2,555	E9	22
ID5410-BO	10 ⁽³⁾	7.5	460	16.0	24.00	N	13.8	10.3	9.8	13.2	1.72	2,427	E9	22

NOTES:

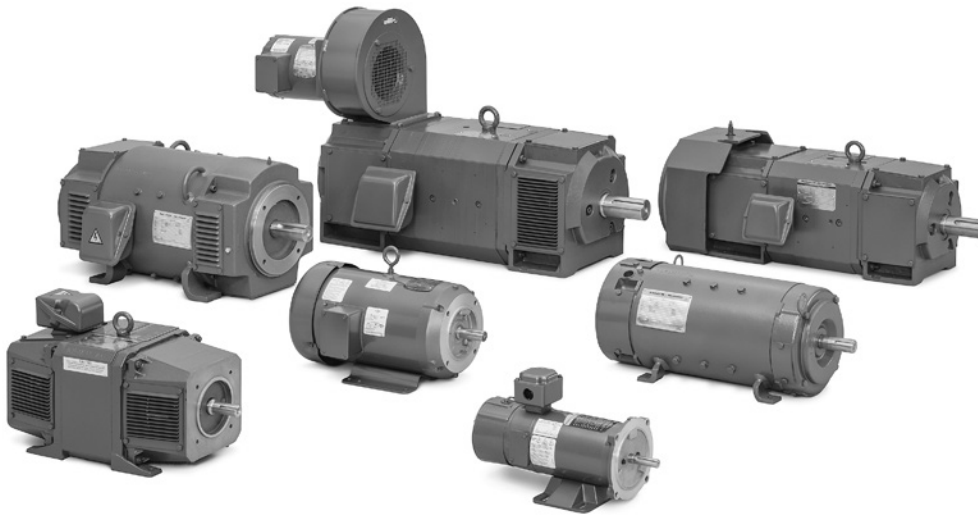
- BO is dark gray NEMA 4X enclosure, -CO is chassis mount, -EO is dark gray NEMA 1 enclosure, & -WO is white NEMA 4X enclosure
- (1) Jumper configurable for 1 Hp and 2 Hp
- (2) ID5602 is rated 1.5 Hp max with 115 VAC input and 2 Hp max with 230 VAC input.
- (3) Jumper configurable for 7.5 Hp or 10 Hp
- Red Catalog Number indicates **NEW** Product.

Series 5 Options

Catalog Number	Description	List Price	Mult. Sym.	Ap'x. Shpg. Wgt.
ID5RGA-1	Dynamic braking kit for open chassis 115/230V 1/2 Hp and 1 Hp rated controls	214	E9	3
ID5SI-1	Signal isolator for open chassis units Provides isolation for up to 24 VDC and 4-20mA command signals and run relay output. Select relay as N.O. or N.C. contacts rated at 125 VAC @ 0.5A	213	E9	4
ID5SI-2	Signal isolator for NEMA 4X enclosed units Provides isolation for up to 24 VDC and 4-20mA command signals.	240	E9	1
ID5SI-3	Signal isolator for 24 VDC and 4-20mA input signal for ID5205 & ID5410 only.	255	E9	2
ID5AMS-1	Auto/Manual selection switch for NEMA 4X enclosed units Allows selection of remote or on-board speed commands	59	E9	1
ID5AMS-2	Auto/Manual selection switch for ID5205 & ID5410 only	94	E9	2
ID5FRS-1	Forward/Stop/Reverse selection switch for NEMA 4X enclosed units Allows selection of forward or reverse motor direction commands	33	E9	1
ID5FRS-2	Forward/Stop/Reverse selection switch for NEMA 1 enclosed units. Allows selection of forward or reverse motor direction commands.	33	E9	1
ID5FRS-3	Forward/Stop/Reverse selection switch for ID5205 & ID5410 only.	67	E9	2

Red Catalog Number indicates **NEW** Product.

Available in round frame and unique laminated square frames, Baldor•Reliance DC motors offer performance and reliability in tough applications. Round frame DC motors utilize permanent magnet technology optimizing the commutator, brushes, and inertia to assure the best performance possible. Wound field motors are designed with superior commutation through the speed range to ensure trouble-free operation and the insulation system is designed with extra margin of safety to eliminate performance-limiting hot spots.



Key Features:

- Designed specifically for rectified DC power operation

1/50 - 500 Horsepower

Product Line – DPG-FV, TEFC, TENV, XP, SPG enclosures	Fractional DC	DC PM	SCR Round	RPM III
Frame sizes	56C - 1810ATC	56C - 1810ATC	L186ATC - 5010AT	DC189ATY - C4414ATZ
Electrical Features				
High performance molded commutator construction	-	-	-	S
Reduced VOC emission resins and paints for a green environment	S	S	S	S
Extensive full load testing to ensure delivered reliability/performance	S	S	S	S
Low rotating assembly inertia for high dynamic performance	S	S	S	S
Explosion proof products for Hazardous Duty Environments	S	S	-	S
Motors suitable for IEEE 45 shipboard applications	S	S	S	S
Wide voltage ranges – 12 volts DC to 600 volts DC	S	S	S	S
Mechanical Features				
Laminated frame construction for superior commutation performance	-	-	-	S
Skewed armature construction with no cogging at low speeds	-	-	-	S
NEMA or IEC mounting for ease interchangeability	-	-	-	S
Washdown products for food industry applications	S	S	-	-
Permanent magnet DC products with built in feedback devices	S	S	-	-
Right angle and parallel shaft gear motors	S	S	-	-
Versatile foot mounting for retrofitting non Baldor products	S	S	S	-

S = Standard

Definite Purpose Motors

Unit Handling Motors

Brake Motors

IEC Frame Motors

50 Hertz Motors

Inverter/Vector Motors & Controls

DC Motors and Controls

Gearmotors and Gear Products

Motor Accessories

Grinders

Subfractional Permanent Magnet DC Motor, TENV, Rigid Base

1/50 thru 1/4 Hp



Features:

- Precision machines die cast aluminum or steel housings
- Dynamically balanced armature assemblies

Applications:

- Conveyors
- Material handling equipment
- Packaging machinery

Input Motor Hp	Output Base Speed	Voltage Direct Current Armature	Full Load Amperage Armature	Catalog Number	List Price	Mult. Sym.	Gear Style	Ap'x. Shpg. Wgt.	Notes (a)
1/50	1800	90	0.3	AP231001	294	DS	2308P	4	20,60
1/25	1725	90	0.5	AP232001	322	DS	2314P	5	20,60
1/15	1800	90	0.8	AP233001	346	DS	2318P	5	20,60
		180	0.4	AP233021	346	DS	2318P	5	20,60
1/8	1725	90	1.3	AP7401	484	DS	2424P	12	20,60
		180	0.7	AP7421	484	DS	2424P	12	20,60
1/4	3450	90	2.5	AP7402	484	DS	2424P	12	20,60
		180	1.3	AP7422	484	DS	2424P	12	20,60

NOTE: Supplied with type SJO, three foot 18/3 AWG grounded cord. (a) See notes on inside back flap.

SCR Drive Fractional Permanent Magnet Motor, TENV and TEFC, C-Face with Base

1/4 thru 5 Hp



Features:

- NEMA C-face with removable base
- Tachometer adaptable
- Class F insulation
- Double sealed bearings
- 20:1 constant torque speed range
- UL and CSA recognized

Applications:

- Conveyors
- Mixers
- Packaging machinery

Hp	Base Speed	NEMA Frame	Voltage D.C.	Full Load Amperage	Enclosure	Catalog Number	List Price	Mult. Sym.	Ap'x. Shpg. Wgt.	Reliance M/N	Notes (a)
			Arm.	Arm.							
1/4	1750	56C	90	2.5	TENV	CDP3310	695	K	24	TK3300	20,60
			180	1.25	TENV	CDP3306	695	K	23	TK3300	20,60
1/3	1750	56C	90	3.2	TENV	CDP3320	733	K	27	TK3300	20,60
			180	1.6	TENV	CDP3316	733	K	27	TK3300	20,60
1/2	1750	56C	90	4.8	TENV	CDP3330	820	K	32	TK3300	20,60
			180	2.5	TENV	CDP3326	820	K	31	TK3300	20,60
	2500	56C	90	5	TENV	CDP3335	733	K	26	TK3300	20,60
			90	7.6	TEFC	CDP3440	996	K	38	TK3400	20
3/4	1750	56C	180	3.7	TEFC	CDP3436	996	K	38	TK3400	20
			90	7.5	TEFC	CDP3443	881	K	36	TK3400	20
1	1750	56C	90	10	TEFC	CDP3445	1,211	K	44	TK3400	20
			180	5	TEFC	CDP3455	1,211	K	44	TK3400	20
			90	9.7	TEFC	CDP3450	996	K	38	TK3400	20
			180	4.85	TEFC	CDP3460	996	K	38	TK3400	20
1 1/2	1750	145TC	180	7.7	TEFC	CDP3575	2,231	L1	65	TK3500	20
	2500	145TC	180	7	TEFC	CDP3580	1,941	L1	53	TK3500	20
2	1750	145TC	180	9.6	TEFC	CDP3585	2,662	L1	74	TK3500	20
	2500	145TC	180	10	TEFC	CDP3590	2,231	L1	66	TK3500	8
3	1750	182TC	180	14	TEFC	CDP3603	3,278	L1	112	TK3600PM	20
		182C	180	14	TEFC	CDP3604	3,260	L1	112	TK3600PM	20
5	1750	1810ATC	180	21.6	TEFC	CDP3605	5,564	L1	161	TK3600PM	20

NOTE: See Tach Generators and Mounting Kits. (a) See notes on inside back flap.

For more information visit baldor.com

Integral DC Tach Permanent Magnet SCR Drive Motor – TENV and TEFC, C-Face with Base

1/4 thru 5 Hp



Features:

- Precise speed regulation
- 50 VDC per 1,000 RPM precision tachometer
- Class F insulation
- 20:1 constant torque speed range with NEMA Type K control

Applications:

- Conveyors
- Metering pumps

Hp	Base Speed	NEMA Frame	Voltage D.C.	Full Load Amperage	Enclosure	Catalog Number	List Price	Mult. Sym.	Ap'x. Shpg. Wgt.	Notes (a)
			Arm.	Arm.						
1/4	1750	56C	90	2.5	TENV	CDPT3310	1,984	K	27	20,60
			180	1.25	TENV	CDPT3306	1,984	K	27	20,60
1/3	1750	56C	90	3.2	TENV	CDPT3320	2,024	K	30	20,60
			180	1.6	TENV	CDPT3316	2,024	K	30	20,60
1/2	1750	56C	90	4.8	TENV	CDPT3330	2,151	K	35	20,60
			180	2.5	TENV	CDPT3326	2,151	K	36	20,60
3/4	1750	56C	90	7.6	TEFC	CDPT3440	2,275	K	44	20
			180	3.7	TEFC	CDPT3436	2,275	K	45	20
1	1750	56C	90	10	TEFC	CDPT3445	2,538	K	50	20
			180	5	TEFC	CDPT3455	2,538	K	50	20
1 1/2	1750	143TC	180	7.7	TEFC	CDPT3575	3,523	L1	71	20
2	1750	143TC	180	9.6	TEFC	CDPT3585	3,953	L1	79	20
3	1750	182ATC	180	14	TEFC	CDPT3603	4,598	L1	122	20
5	1750	1810ATC	180	24.5	TEFC	CDPT3605	6,878	L1	164	20

(a) See notes on inside back flap.

Explosion Proof Permanent Magnet SCR Drive Motor – TEFC, C-Face with Base

1/4 thru 1 1/2 Hp



Features:

- NEMA C-face with welded base
- 20:1 constant torque speed range
- UL and CSA
- Division 1, Class I, Group D; Class II, Group F&G, T3C
- Thermostat and explosion proof conduit box included
- Adjustable speed and constant torque for hazardous locations

Applications:

- Conveyors
- Feeders
- Pumps

Hp	Base Speed	NEMA Frame	Voltage D.C.	Full Load Amperage	Catalog Number	XP Cls/Grp	Temp Code	List Price	Mult. Sym.	Ap'x. Shpg. Wgt.	Notes (a)
			Arm.	Arm.							
1/4	1750	56C	90	2.7	CDPX3410	Ⓜ	T3C	1,907	K	38	20
			180	1.3	CDPX3406	Ⓜ	T3C	1,907	K	38	20
1/3	1750	56C	90	3.6	CDPX3420	Ⓜ	T3C	2,396	K	43	20
			180	1.7	CDPX3416	Ⓜ	T3C	2,396	K	44	20
1/2	1750	56C	90	5.2	CDPX3430	Ⓜ	T3C	2,705	K	46	20
			180	2.5	CDPX3426	Ⓜ	T3C	2,705	K	46	20
3/4	1750	56C	90	7	CDPX3440	Ⓜ	T3C	3,344	K	51	20
			180	3.5	CDPX3436	Ⓜ	T3C	3,344	K	51	20
1	1750	56C	90	9.6	CDPX3545	Ⓜ	T3C	4,454	K	73	20
			180	4.9	CDPX3555	Ⓜ	T3C	4,454	K	71	20
1 1/2	1750	145TC	180	7.1	CDPX3575	Ⓜ	T3C	4,761	L1	81	20

NOTE: Ⓜ Class I, Group D; Class II, Group F&G

CAUTION: Explosion-proof motors have a tight fit between mating parts to ensure the integrity of the explosion-proof enclosure. This can lead to an accumulation of moisture inside the motors due to condensation. Care should be used when selecting an explosion-proof motor, especially when installed outdoors and on intermittent duty.

Washdown Duty Permanent Magnet SCR Drive Motor – TENV and TEFC, C-Face with Base

1/4 thru 5 Hp



Features:

- Moisture sealant on bolt heads between frame and endplates
- Neoprene gasketed conduit box
- Double sealed bearings
- Forsheda® running contact V-Ring slinger
- Stainless steel shaft
- Class F Insulation
- Tachometer adaptable
- Suitable for high pressure washdown

Applications:

- Food processing conveyors
- Feeders

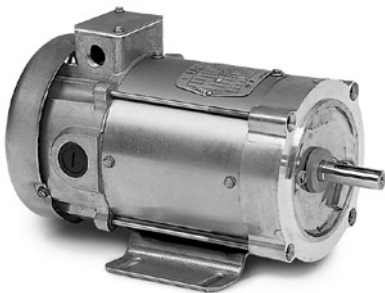
Hp	Base Speed	NEMA Frame	Voltage D.C.	Full Load Amperage	Enclosure	Catalog Number	List Price	Mult. Sym.	Ap'x. Shpg. Wgt.	Notes (a)
			Arm.	Arm.						
1/4	1750	56C	90	2.5	TENV	GDPWD3310	900	K	25	20,60
			180	1.25	TENV	GDPWD3306	900	K	24	20,60
1/3	1750	56C	90	3.2	TENV	GDPWD3320	950	K	27	20,60
			180	1.6	TENV	GDPWD3316	950	K	27	20,60
1/2	1750	56C	90	4.8	TENV	GDPWD3330	1,068	K	32	20,60
			180	2.5	TENV	GDPWD3326	1,068	K	32	20,60
3/4	1750	56C	90	7.6	TEFC	GDPWD3440	1,289	K	38	20
			180	3.7	TEFC	GDPWD3436	1,289	K	38	20
1	1750	56C	90	10	TEFC	GDPWD3445	1,572	K	44	20
			180	5	TEFC	GDPWD3455	1,572	K	44	20
1 1/2	1750	145TC	180	7.7	TEFC	GDPWD3575	3,008	L1	66	20
2	1750	145TC	180	9.6	TEFC	GDPWD3585	3,590	L1	75	20
3	1750	182TC	180	14	TEFC	GDPWD3603	4,595	L1	116	20
5	1750	1810ATC	180	24.5	TEFC	GDPWD3605	7,783	L1	157	20

NOTE: See Tach Generators and Mounting kits.

(a) See notes on inside back flap.

Paint Free Washdown Duty Permanent Magnet SCR Drive Motor, TEFC, C-Face with Base

1/4 thru 1 Hp



Features:

- Class F insulation
- 20:1 constant torque speed range
- Moisture resistant 200°C magnet wire
- Sealed ball bearings with moisture resistant grease
- Contact lip seals on shaft extensions
- Neoprene gaskets
- 300 series stainless steel motor frame, base, shaft and hardware

Applications:

- Food processing
- Packaging

Hp	Base Speed	NEMA Frame	Voltage D.C.	Full Load Amperage	Catalog Number	List Price	Mult. Sym.	Ap'x. Shpg. Wgt.	Notes (a)
			Arm.	Arm.					
1/4	1750	56C	90	2.7	CDPSWD3410	1,077	K	29	20
			180	1.3	CDPSWD3406	1,077	K	28	20
1/2	1750	56C	90	5.2	CDPSWD3430	1,276	K	37	20
			180	2.5	CDPSWD3426	1,276	K	38	20
1	1750	56C	90	9.6	CDPSWD3545	1,886	K	63	20
			180	4.9	CDPSWD3555	1,886	K	63	20

(a) See notes on inside back flap.

Definite Purpose Motors

Unit Handling Motors

Brake Motors

IEC Frame Motors

50 Hertz Motors

Inverter/Vector Motors & Controls

DC Motors and Controls

Gearmotors and Gear Products

Motor Accessories

Grinders

**Metric Flange Permanent Magnet SCR Drive Motor,
TENV and TEFC, Flange and Face Mount**

**0.15 thru 5 kW
0.2 thru 3.7 Hp**



Features:

- Metric Flange or C-face per IEC 60072-1 standards
- Bolt on non-metric base
- Class F insulation
- Tachometer adaptable (except 0.15 kW)
- 20:1 constant torque speed range
- Conforms to IEC 30034-1

Applications:

- Metric SCR drive motor replacement

kW/Hp	Base Speed	NEMA Frame	Voltage D.C.		Enclosure	Catalog Number	List Price	Mult. Sym.	Ap'x. Shpg. Wgt.	Notes (a)
			Arm.	Arm.						
B5 Flange										
.15/.20	1800	D63D	180	1.1	TENV	VP7424D	485	DS	10	60
.18/.25	1750	D71D	180	1.25	TENV	VP3311D	695	K	23	20,60
.25/.33	1750	D71D	180	1.6	TENV	VP3316D	733	K	27	20,60
	1750	D71D	180	2.5	TENV	VP3326D	820	K	31	20,60
.37/.5	3000	D71D	180	2.5	TEFC	VP3428D	850	K	33	20
	1750	D80D	180	3.7	TEFC	VP3436D	996	K	40	20
.57/.75	3000	D80D	180	3.6	TEFC	VP3439D	881	K	37	20
	1750	D80D	180	5	TEFC	VP3455D	1,211	K	46	20
.75/1	3000	D80D	180	5.1	TEFC	VP3458D	996	K	41	20
	3000	D90D	180	7.7	TEFC	VP3468D	1,110	L1	47	20
1.1/1.5	1750	D90D	180	7.7	TEFC	VP3575D	2,244	L1	71	20
	1750	D90D	180	9.6	TEFC	VP3585D	2,677	L1	78	20
1.5/2	3000	D90D	180	10	TEFC	VP3588D	2,244	L1	69	20
	1750	D112D	180	14	TEFC	VP3603D	3,294	L1	121	20
3.7/5	1750	D112D	180	24.5	TEFC	VP3605D	5,592	L1	166	20
B14 Face										
.15/.20	1800	D63D	180	1.1	TENV	VP7424-14	485	DS	10	60
.18/.25	1750	D71C	180	1.4	TEFC	VP3411-14	781	K	30	20
.25/.33	1750	D71C	180	1.7	TEFC	VP3416-14	832	K	31	20
	3000	D71C	180	2.5	TEFC	VP3428-14	850	K	31	20
1.37/50	1750	D71C	180	2.5	TEFC	VP3426-14	881	K	37	20
	3000	D80C	180	3.6	TEFC	VP3439-14	881	K	35	20
.56/.75	1750	D80C	180	3.7	TEFC	VP3436-14	996	K	40	20
	3000	D80C	180	5.1	TEFC	VP3458-14	996	K	38	20
.75/1	1750	D80C	180	5	TEFC	VP3455-14	1,211	K	45	20
	3000	D80C	180	7.7	TEFC	VP3468-14	1,110	L1	43	20
1.1/1.5	1750	D90C	180	7.7	TEFC	VP3575-14	2,244	L1	73	20
	3000	D90C	180	10.0	TEFC	VP3588-14	2,244	L1	70	20
1.5/2	1750	D90C	180	9.6	TEFC	VP3585-14	2,677	L1	80	20

NOTES:

Above motors D71 and larger with B5 flange, fitted with oil seal. Catalog numbers VP7424D and VP7424-14 are not tach adaptable. See Tach Generators and Tach Mounting Kits.

(a) See notes on inside back flap.

Low Voltage Permanent Magnet Motor – TENV and TEFC

1/4 thru 1 Hp



Features:

- NEMA C-face
- Class F insulation
- Double sealed ball bearings
- Top-mounted terminal studs for power connection on ratings 40-amps and up

Applications:

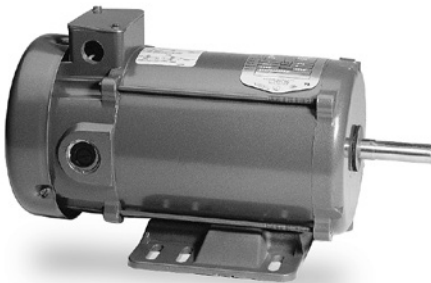
- Battery operation for portable pumps
- Fans
- Augers
- Winches
- Lifts

Hp	Base Speed	NEMA Frame	Voltage D.C.	Full Load Amperage	Catalog Number	List Price	Mult. Sym.	Ap'x. Shpg. Wgt.	Notes (a)
1/4	1800	56C	12	22.5	CDP3410-V12	747	K	23	20,60
			24	10.6	CDP3410-V24	708	K	23	20,60
1/3	1800	56C	12	28.6	CDP3420-V12	820	K	31	20,60
			24	13.6	CDP3420-V24	782	K	31	20,60
1/2	1800	56C	12	40	CDP3430-V12	850	K	37	20,60
			24	19.6	CDP3430-V24	810	K	35	20,60
3/4	1800	56C	12	66	CDP3440-V12	1,220	K	42	20
		56C	24	29.4	CDP3440-V24	845	K	41	20
1	1800	56C	12	85.6	CDP3445-V12	1,765	K	45	20
			24	40.9	CDP3445-V24	1,757	K	46	20

(a) See notes on inside back flap.
1/4 - 1/2 Hp are TENV. 3/4 - 1 Hp are TEFC.

DC Power Motor – TEFC, Rigid Base

1/3 thru 1 1/2 Hp



Features:

- 20% compound wound
- Weather proof, VPI insulation meets IEEE 45 specifications
- Suitable for mounting in any position
- Continuous duty
- Easy access brushes
- Powered from generators or batteries

Applications:

- Cranes and hoists
- Conveyors
- Augers
- Marine Duty application

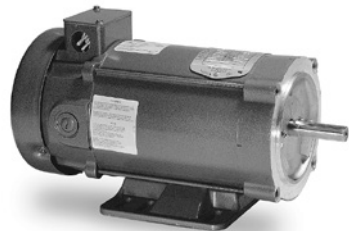
Hp	Speed	NEMA Frame	Rated Current	Catalog Number	List Price	Mult. Sym.	Ap'x. Shpg. Wgt.	Notes (a)
115 VDC								
1/3	1750	56	3.2	D1151	1,658	K	23	20
1/2	1750	56	4.8	D1152	1,755	K	29	20
3/4	1750	56	6.6	D1153	2,005	K	34	20
1	1750	56	8	D1154	2,305	K	62	20
230 VDC								
1/3	1750	56	1.7	D2301	1,658	K	41	20
1/2	1750	56	2.1	D2302	1,755	K	29	20
3/4	1750	56	3.3	D2303	2,005	K	34	20
1	1750	56	4	D2304	2,305	K	62	20
1 1/2	1750	184	6.1	D2305	3,921	L1	84	20

NOTES: Not for SCR control applications. Base welded on 3513D type only. Not tach adaptable.

(a) See notes on inside back flap.

Shunt Wound SCR Drive Motors, TEFC, C-Face with Base

1/4 thru 3 Hp



Features:

- Designed for use with NEMA type K SCR control
- 20:1 constant torque speed range
- NEMA C-face and removable base
- NEMA 182 frame and larger – normally closed thermostat on field winding
- Class F insulation
- 1.0 SF

Applications:

- Conveyors
- Printing and textile equipment
- Machine tools

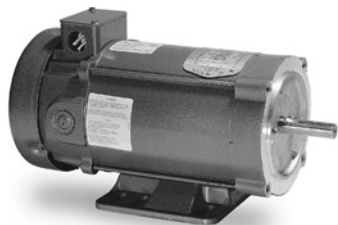
Hp	Base Speed	NEMA Frame	Voltage D.C.		Full Load Amperage		Catalog Number	List Price	Mult. Sym.	Ap'x. Shpg. Wgt.	Notes (a)
			Arm.	Field	Arm.	Field					
1/4	1750	56C	90	100/50	3	.3/6	CD3425	699	K	23	20
			90	100/50	3.4	.4/8	CD3433	764	K	24	20
1/3	1750	56C	180	200/100	1.9	.21/.42	CD3434	764	K	24	20
			90	100/50	3.7	.5/1	CD5333 (b)(c)	1,101	K	31	20
1/2	1750	56C	90	100/50	5.2	.5/1	CD3450	868	K	29	20
			180	200/100	2.6	.25/.5	CD3451	868	K	29	20
3/4	1750	56C	90	100/50	5	.44/.88	CD5350 (c)	1,216	K	38	20
			90	100/50	7.8	.6/1.2	CD3475	1,080	K	34	20
1	1750	56C	180	200/100	3.9	.3/6	CD3476	1,080	K	34	20
			90	100/50	8	.6/1.2	CD5375 (c)	1,432	K	45	20
1 1/2	1750	182C	180	200/100	5	.3/6	CD5318 (c)	1,525	K	54	20
			90	100/50	10	.6/1.2	CD5319 (c)	1,525	K	53	20
2	1750	182C	180	200/100	5	.25/.5	CD6218	2,037	L1	65	20
			90	100/50	9.6	.55/1.1	CD6219	2,037	L1	66	20
3	1750	184TC	180	200/100	7.5	.25/.5	CD6215	2,281	L1	84	20
			180	200/100	9.5	.4/8	CD6202	2,698	L1	98	20
3	1750	215C	180	200/100	9.5	.4/8	CD7502	4,734	L1	105	20
			180	200/100	14.7	.6/1.2	CD6203	3,064	L1	135	8, 73
3	1750	215C	180	200/100	14.7	.6/1.2	CD7503	5,035	L1	137	20

NOTES: See Tach Generators and Mounting Kits.

(a) See notes on inside back flap. (b) Base welded on type 3513D only. (c) No dual mounting base holes on 35D, 75D or 91D type.

Shunt Wound SCR Drive Motors, Explosion Proof, TEFC, C-Face with Base

1/2 thru 2 Hp



Features:

- Designed for use with NEMA type K SCR control
- 20:1 constant torque speed range
- NEMA C-face and removable base
- Normally closed thermostat on field winding
- Class F insulation
- 1.0 SF
- UL and CSA Division 1, Class I, Group D, Class II, Group F&G

Applications:

- Conveyors
- Printing and textile equipment

Hp	Base Speed	NEMA Frame	Voltage D.C.		Full Load Amperage		Catalog Number	XP Cls/Grp	Temp Code	List Price	Mult. Sym.	Ap'x. Shpg. Wgt.	Notes (a)
			Arm.	Field	Arm.	Field							
Explosion-Proof - Continuous Duty - Division 1, Class I, Group D & Class II, Group F & G - 1.0 S.F.													
1/2	1750	182CZ	90	100/50	4.9	.55/1.1	CDX1850 (b)	②	T3B	2,768	L1	100	2
3/4	1750	182CZ	90	100/50	7	.55/1.1	CDX1875 (b)	②	T3B	3,666	L1	100	2
1	1750	182CZ	180	200/100	5	.25/.5	CDX2001 (b)	②	T3B	4,560	L1	102	2
		182C	180	200/100	5	.25/.5	CDX7100	②	T3B	3,785	L1	102	2
1 1/2	1750	182C	180	200/100	7.5	.25/.5	CDX7150	②	T3B	5,012	L1	121	2
2	1750	182C	180	200/100	9.5	.4/8	CDX7200 (b)	②	T3B	5,629	L1	135	2

NOTES: (a) See notes on inside back flap.

(b) Refers to shaft and/or face mounting dimensions only. Base mounting dimensions and shaft height differ from NEMA frames shown. Go to www.baldor.com for details.

② Class I, Group D; Class II, Group F&G

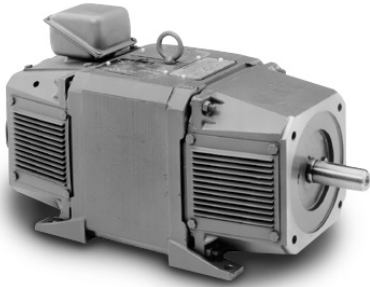
CAUTION: Explosion-proof motors have a tight fit between mating parts to ensure the integrity of the explosion-proof enclosure. This can lead to an accumulation of moisture inside the motors due to condensation. Care should be used when selecting an explosion-proof motor, especially when installed outdoors and on intermittent duty.

For more information visit baldor.com

Definite Purpose Motors
Unit Handling Motors
Brake Motors
IEC Frame Motors
50 Hertz Motors
Inverter/Vector Motors & Controls
DC Motors and Controls
Gearmotors and Gear Products
Motor Accessories
Grinders

RPM III DC Shunt Wound SCR Drive Motors, 180V Armature Power Code K

1.5 thru 5 Hp



Features:

- Unique laminated square frame for improved commutation
- Square configuration allows for increased rating per frame size
- Class F insulation system
- Service line brushes with convenient wear indicating reference lines
- PLS™ for longer bearing and motor life
- F3 Mounting
- Tachometer adaptable with thermostat

Applications:

- Metals
- Paper
- Web Processes
- Extruders and packaging
- Machine tools

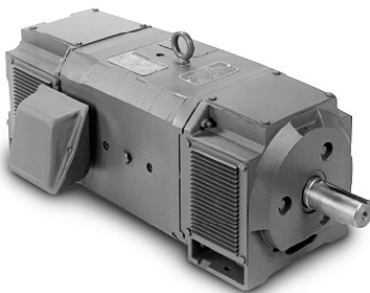
Hp	Base Speed	NEMA Frame	Voltage D.C.		Full Load Amperage		Enclosure	Catalog Number	List Price	Mult. Sym.	Ap'x. Shpg. Wgt.	Reliance M/N	Field Type	XPY Tach Kit
			Arm.	Field	Arm.	Field (a)(b)								
1 1/2	1750	DC189ATY (c)	180	100/200	7.2	0.72	TENV	D1815R	6,040	N2	169	T18R1119	STR	413336-1R
2	1750	DC189ATY (c)	180	100/200	9.5	0.72	TENV	D1802R	6,040	N2	86	T18R1117	STR	413336-1R
3	1750	DC1811ATCZ (d)	180	100/200	14.1	1.17	TENV	CD1803R	9,906	N2	212	T18R1102	STR	413336-1R
		DC189ATY (c)(e)	180	100/200	14.8	0.95	DPG	D1803R	6,040	N2	165	T18R1118	STR	413336-1R
		DC189ATCZ (d)(e)	180	100/200	14.8	0.95	DPG	CDD1803R	6,040	N2	160	T18R1120	STR	413336-1R
5	1750	DC1810ATCZ (d)(e)	180	100/200	24	1.68	DPG	CD1805R	7,266	N2	175	T18R1105	STR	413336-1R
		DC2112ATCZ (d)	180	100/200	23	1.34	TENV	CD2105R	14,534	N2	355	T21S1101	STR	413336-1R

NOTES: Encoder and tachometer kits available.

- (a) Field amps at 25°C
- (b) Field amps for high voltage connection
- (c) 140TC C-face
- (d) 180TC C-face
- (e) Top mounted conduit box, if blower added, blower must be mounted F-1 or F-2.

RPM III DC Shunt Wound SCR Drive Motors, 240V Armature 240V Field, Power Code C

3 thru 10 Hp



Features:

- Superior speed regulation
- Operation down to 25% of base speed at 67% load current
- Excellent load sharing characteristics on common drive
- Tachometer adaptable

Applications:

- Textile equipment
- Metals
- Paper
- Web Processes
- Extruders and packaging
- Machine tools

Hp	Base Speed	NEMA Frame	Voltage D.C.		Full Load Amperage		Enclosure *	Catalog Number	List Price	Mult. Sym.	Ap'x. Shpg. Wgt.	Reliance M/N	Field Type	XPY Tach Kit
			Arm.	Field	Arm.	Field (a)								
3	1750/2300	C1811ATCZ (b)	240	240	11	0.99	SPG	CD2003R-2	11,067	N2	198	T18R1009	STAB	413336-1R
5	1750/2300	C1811ATCZ (b)	240	240	18.1	1.11	SPG	CD2005R-2	11,067	N2	209	T18R1010	STAB	413336-1R
7 1/2	1750/2300	C1812ATCZ (b)	240	240	27	1.4	SPG	CD2007R-2	12,042	N2	235	T18R1011	STAB	413336-1R
10	1750/2300	SC2113ATCZ (c)	240	240	37	2.20	SPG	D2010R-2	16,661	N2	346	T21S1001	STAB	417708-21

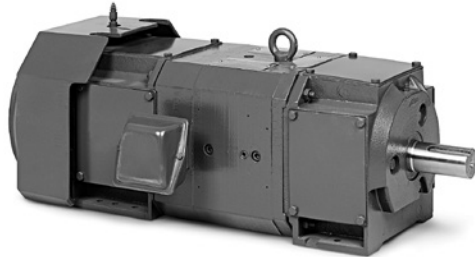
NOTES: Encoder and tachometer kits available.

- (a) Field amps at 25°C
- (b) 180TC C-face
- (c) 210TC C-face

Splash-proof Guarded (SPG) is an open machine in which the ventilating openings are so constructed that successful operation is not interfered with when drops of liquid or solid particles strike or enter the enclosure at any angle not greater than 60 degrees downward from vertical

**RPM III DC Shunt Wound SCR Drive TEFC Motors,
240V & 500V Armature, Power Code C**

5 thru 50 Hp



Features:

- Laminated square frame for improved commutation
- Class F insulation system
- Service line brushes with convenient wear indicating reference lines
- PLS™ bearing lubrication system for longer bearing and motor life
- Tachometer adaptable with thermostat

Applications:

- Textile range drives
- Roofing machines
- Tube mills

Hp	Base/Max Speed	NEMA Frame	Voltage D.C.		Full Load Amperage		Catalog Number	List Price	Mult. Sym.	Ap'x. Shpg. Wgt.	Notes	Reliance M/N	Field Type	XPY Tach Kit
			Arm.	Field	Arm.	Field (a)(b)								
5	1750/2300	C1812ATZ	240	150	18.5	1.80	D2505R	13,081	N2	251	87	T18R1005 (d)	STAB	417709-17
		SC2113ATZ	500	150/300	9	1.06	D5505R	15,311	N2	340	87	T21S201 (c)	STAB	417708-21
7 1/2	1750/2300	SC2113ATZ	240	150	27	3.25	D2507R	17,059	N2	359	87	T21S301	STAB	417709-65
		SC2113ATZ	500	150/300	13.5	1.41	D5507R	17,059	N2	360	87	T21S302 (d)	STAB	417709-65
10	1750/2300	MC2113ATZ	240	150	35.5	3.13	D2510R	18,820	N2	379	87	T21S303	STAB	417709-65
		MC2113ATZ	500	150/300	17.5	1.55	D5510R	18,820	N2	405	87	T21S304	STAB	417709-65
15	1750/2300	SC2512ATZ	240	150	53.5	2.18	D2515R	28,213	N2	560	6,87	T25S301	STAB	417709-66
		SC2512ATZ	500	150/300	25.6	1.71	D5515R	28,213	N2	547	87	T25S302	STAB	417709-66
20	1750/2300	LC2512ATZ	240	150	71	4.14	D2520R	30,464	N2	640	87	T25S303	STAB	417709-66
		LC2512ATZ	500	150/300	33	2.06	D5520R	30,464	N2	640	87	T25S304	STAB	417709-66
25	1750/2300	MC2812ATZ	240	150	87	4.05	D2525R	43,228	N2	805	87	T28S301	STAB	417709-67
		MC2812ATZ	500	150/300	41	2.23	D5525R	43,228	N2	815	87	T28S302	STAB	417709-67
30	1750/2300	LC2812ATZ	500	150/300	50	1.74	D5530R	48,066	N2	895	87	T28S303	STAB	417709-67
40	1750/2300	MC3212ATZ	500	150/300	65	1.82	D5540R	65,449	N2	1120	87	T32S301	STAB	417709-68
50	1750/2300	LC3212ATZ	500	150/300	84	1.98	D5550R	69,186	N2	1270	87	T32S302	STAB	417709-68

NOTES: Encoder and tachometer available.

(a) Field amps at 25°C

(b) Field amps for high voltage connection

(c) TENV enclosure

(d) Power Code D

Definite Purpose Motors

Unit Handling Motors

Brake Motors

IEC Frame Motors

50 Hertz Motors

Inverter/Vector Motors & Controls

DC Motors and Controls

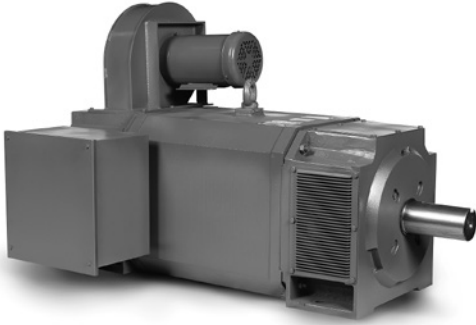
Gearmotors and Gear Products

Motor Accessories

Grinders

RPM III Wound Field SCR Drive DPG-FV Motors, 240V & 500V Armature, Power Code C

10 thru 500 Hp



Features:

- Laminated square frame for improved commutation
- Class F insulation system
- Service line brushes with convenient wear indicating reference lines
- PLS™ bearing lubrication system for longer bearing and motor life
- Tachometer adaptable with thermostat

Applications:

- Metals
- Paper
- Web Processes
- Extruders and packaging
- Machine tools

Hp	Base/Max Speed	NEMA Frame	Voltage D.C.		Full Load Amperage		Catalog Number	List Price	Mult. Sym.	Ap'x. Shpg. Wgt.	Notes	Reliance M/N	Field Type	XPY Tach Kit
			Arm.	Field	Arm.	Field (a)(b)								
10	1750/2300	SC2113ATZ	500	300	18	1.11	D5010RS-BV	19,133	N2	345 (c)	101,102	T21T1342	STAB	417708-21
15	1750/2300	SC2113ATZ	240	150	56	4.73	D2015R-BV	16,556	N2	345 (d)	103	T21T1359	STR	417708-21
		SC2113ATCZ	240	150	56	4.73	CD2015R-BV	17,153	N2	345 (b)	103	T21T1384	STR	417708-21
		SC2113ATZ	500	300	27	2.22	D5015R-BV	16,556	N2	375	103	T21T1364	STR	417708-21
		SC2113ATZ	500	300	27	3.03	D5015RS-BV	19,133	N2	345 (c)	101,102	T21T1346	STAB	417708-21
20	1750/2300	SC2113ATZ	240	150	76.5	7.12	D2020R-BV	16,556	N2	345 (d)	103	T21T1363	STR	417708-21
		SC2113ATZ	500	300	37	3.03	D5020R-BV	16,556	N2	390	103	T21T1350	STR	417708-21
		MC2113ATZ	500	300	37	2.24	D5020RS-BV	20,894	N2	370 (c)	101,102	T21T1344	STAB	417708-21
25	1750/2300	MC2113ATZ	240	150	96	8.43	D2025R-BV	18,317	N2	370 (d)	103	T21T1371	STR	417708-21
		MC2113ATZ	500	300	46	3.32	D5025R-BV	18,317	N2	410	6,104	T21T1351	STR	417708-21
		LC2113ATZ	500	300	43	3.07	D5025RS-BV	22,483	N2	472 (c)	101,102	T21T1345	STAB	417708-21
30	1750/2300	LC2113ATZ	240	150	109	10	D2030R-BV	19,905	N2	400	103	T21T1375	STR	417708-21
		LC2113ATZ	500	300	52	3.3	D5030R-BV	19,905	N2	445	103	T21T1352	STR	417708-21
		SC2512ATZ	500	300	51	2.84	D5030RS-BV	30,609	N2	535 (c)	101,102	T25T1342	STAB	417708-21
40	1750/2300	LC2115ATZ	500	300	54	3.95	D5130R-BV	26,587	N2	480	104	T21T1378	STR	417708-21
		LC2115ATZ	240	150	146	5.63	D2040R-BV	26,587	N2	480	6,103	T21T1380	STR	417708-21
		MC2115ATZ	500	300	69	4.49	D5040R-BV	23,683	N2	501	103	T21T2353	STR	417708-21
50	1750/2100	MC2512ATZ	500	300	68.5	2.88	D5040RS-BV	31,738	N2	570 (c)	6,101,102	T25T1344	STAB	417708-21
		LC2512ATZ	500	300	72	5.27	D5140R-BV	29,962	N2	640	104	T25T1355	STR	417708-21
		LC2115ATZ	500	300	87	3.95	D5050R-BV	26,587	N2	520	103	T21T2354	STR	417708-21
60	1750/2100	LC2512ATZ	500	300	84	3.38	D5050RS-BV	32,860	N2	660 (c)	6,101,102	T25T1339	STAB	417708-21
		C2514ATZ	500	300	87	4.06	D5150R-BV	34,634	N2	695	6,104	T25T1359	STR	417708-21
		LC2512ATZ	500	300	102	4.61	D5060R-BV	29,962	N2	610	103	T25T2348	STR	417708-21
75	1750/2100	MC2812ATZ	500	300	100	3.43	D5060RS-BV	45,623	N2	860 (c)	6,101,102	T28T1330	STAB	417708-26
		C2515ATZ	500	300	102	5.18	D5160R-BV	39,995	N2	805	6,103	T25T1364	STR	417708-21
		C2514ATZ	500	300	124	6.21	D5075R-BV	34,634	N2	767	103	T25T2349	STR	417708-21
100	1750/2100	LC3212ATZ	500	300	124	3.63	D5075RS-BV	50,462	N2	885 (c)	6,101,102	T32T1327	STAB	417708-26
		C2815ATZ	500	300	125	4.15	D5175R-BV	56,918	N2	1125	6,103	T28T1342	STR	417708-26
		C2515ATZ	500	300	167	6.7	D50100R-BV	39,995	N2	890	103	T25T2350	STR	417708-21
125	1750/2000	MC3212ATZ	500	300	162	3.34	D50100RS-BV	67,915	N2	1210 (c)	6,101,102	T32T1314	STAB	417708-26
		C2815ATZ	500	300	168	4.15	D51100R-BV	56,918	N2	1239	6,104	T28T1344	STR	417708-26
		C2813ATZ	500	300	204	6.93	D50125R-BV	49,873	N2	997	6,103	T28T1333	STR	417708-26
150	1750/2000	UC2813ATZ	500	300	204	6.93	D50125UR-BV	51,108	N2	945	5,6,103	T28T1349	STR	417708-26
		LC3212ATZ	500	300	203	4.4	D50125RS-BV	71,773	N2	1290 (c)	6,101,102	T32T1318	STAB	417708-26
		UC3214ATZ	500	300	204	8.37	D51125RR-BV	73,535	N2	1475	5,6,103	T32T1327	STR	417708-26
200	1750/2000	C2815ATZ	500	300	250	10.64	D50150RE-BV	56,918	N2	1197	6,103	T28T1352	STR	417708-26
		UC2815ATZ	500	300	250	10.64	D50150URE-BV	58,152	N2	1197	5,6,103	T28T1351	STR	417708-26
		MC3612ATZ	500	300	240	4.81	D50150RS-BV	88,976	N2	1630 (c)	6,105	T36S1313	STAB	417708-26
200	1750/2000	ULC3612ATZ	500	300	246	8.45	D51150RR-BV	89,964	N2	1850	5,6,104	T36S1323	STR	417708-26
		UC3214ATZ	500	300	322	8.37	D50200RR-BV	73,535	N2	1475	5,6,103	T32T1322	STR	417708-26
		LC3612ATZ	500	300	321	5.41	D50200RS-BV	91,619	N2	1905 (c)	6,105	T36S1314	STAB	417708-26
200	1150/2000	C3613ATZ	500	300	323	10.7	D51200R-BV	106,410	N2	1850	6,104	T36S1325	STR	417708-26

NOTES: Encoder and tachometer kits available.

(a) Field amps at 25°C

(b) 210TC C-Face

(c) Extruder duty enclosed commutator design

(d) Power Code D

RPM III Wound Field SCR Drive DPG-FV Motors, 240V & 500V Armature, Power Code C

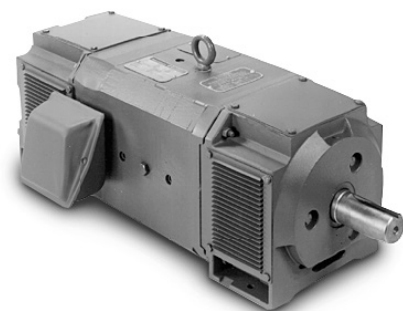
Hp	Base/Max Speed	NEMA Frame	Voltage D.C.		Full Load Amperage		Catalog Number	List Price	Mult. Sym.	Ap'x. Shpg. Wgt.	Notes	Reliance M/N	Field Type	XPY Tach Kit
			Arm.	Field	Arm.	Field (a)(b)								
250	1750/2000	ULC3612ATZ	500	300	405	8.87	D50250RR-BV	89,964	N2	1891	5,6,104	T36S1318	STR	417708-26
		C4011ATZ	500	300	400	6.63	D50250RS-BV	124,469	N2	2310 (c)	6,105	T40S1306	STAB	417708-26
300	1150/2000	MC4013ATZ	500	300	406	10.7	D51250R-BV	145,465	N2	2735	6,104	T40S1317	STR	417708-26
		LC3613ATZ	500	300	478	12.5	D50300R-BV	113,818	N2	2190	6,104	T36S1319	STR	417708-26
300	1750/2100	MC4013ATZ	500	300	478	6.5	D50300RS-BV	150,442	N2	2815 (c)	6,105	T40S1309	STAB	417708-26
		LC4013ATZ	500	300	485	13.2	D51300R-BV	163,196	N2	3015	6,104	T40S1320	STR	417708-26
400	1750/2000	MC4013ATZ	500	300	640	11.9	D50400R-BV	145,465	N2	3040	6,104	T40S1314	STR	417708-26
		LC4013ATZ	500	300	635	7.97	D50400RS-BV	168,174	N2	3040 (c)	6,105	T40S1311	STAB	417708-26
400	1150/1600	C4413ATZ	500	300	644	13	D51400R-BV	201,741	N2	3830	6,101,104	T44T1304	STR	417708-156
		C4412ATZ	500	300	797	10.8	D50500R-BV	196,381	N2	3480	6,101,104	T44T1305	STR	417708-156
500	1750/2050	C4412ATZ	500	300	797	10.8	D50500R-BV	196,381	N2	3480	6,101,104	T44T1305	STR	417708-156
		C4414ATZ	500	300	805	12.3	D51500R-BV	206,180	N2	4560	6,101,104	T44T1306	STR	417708-156

NOTES: Encoder and tachometer kits available.

- (a) Field amps at 25°C
- (b) 210TC C-Face
- (c) Extruder duty enclosed commutator design
- (d) Power Code D

RPM III Wound Field SCR Drive DPG Motors, 240V & 500V Armature Power Code C

3 thru 60 Hp



Features:

- Laminated square frame for improved commutation
- High limit thermostat
- Tachometer adaptable
- Class F insulation system
- Service line brushes with convenient wear indicating reference lines
- PLS™ bearing lubrication system for longer bearing and motor life

Applications:

- Metals
- Paper
- Web Processes
- Extruders and packaging
- Machine tools

Hp	Base/Max Speed	NEMA Frame	Voltage D.C.		Full Load Amperage		Catalog Number	List Price	Mult. Sym.	Ap'x. Shpg. Wgt.	Notes	Reliance M/N	Field Type	XPY Tach Kit
			Arm.	Field	Arm.	Field (a)(b)								
3	1750/2300	DC189ATCZ (c)(e)	240	150	11	1.52	D2003R	6,431	N2	161	80,83	T18R1127	STAB	413336-1R
		C1811ATZ	500	300	5.2	0.72	D5003R	9,967	N2	197	80	T18R1333 (d)	STR	413336-1R
5	1750/2300	C1811ATZ	240	150	19.2	1.77	D2005R	10,358	N2	194	80,83	T18R1318 (d)	STAB	413336-1R
		C1811ATZ	500	300	9	1	D5005R	9,967	N2	194	80	T18R1334 (d)	STR	413336-1R
7 1/2	1750/2300	C1811ATZ	240	150	28	1.95	D2007R	10,358	N2	210	80,83	T18R1301 (d)	STAB	413336-1R
		C1811ATZ	500	300	13.5	1.29	D5007R	9,967	N2	197	80	T18R1335 (d)	STR	413336-1R
10	1750/2300	C1812ATZ	240	150	37	2.13	D2010R	11,335	N2	233	80,84	T18R1302 (d)	STAB	413336-1R
		C1812ATZ	500	300	17.4	1.09	D5010R	11,335	N2	227	80,85	T18R1307 (d)	STAB	413336-1R
15	1750/2300	SC2113ATZ	240	150	56	4.12	D2015R	15,311	N2	315	87	T21S1330	STAB	417708-21
		SC2113ATZ	500	150/300	27	1.76	D5015R	15,311	N2	320	87	T21S1322	STAB	417708-21
20	1750/2300	LC2113ATZ	240	150	74	4.23	D2020R	18,661	N2	403	87	T21S1331	STAB	417708-21
		MC2113ATZ	500	150/300	35	1.98	D5020R	17,074	N2	372	87	T21S1323	STAB	417708-21
25	1750/2300	LC2113ATZ	240	150	91.5	5.84	D2025R	18,661	N2	415	87	T21S1332	STAB	417708-21
		LC2113ATZ	500	150/300	43	2.63	D5025R	18,661	N2	394	87	T21S1324	STAB	417708-21
30	1750/2300	SC2512ATZ	240	150	111	3.45	D2030R	26,466	N2	515	87	T25S1330	STAB	417708-21
		SC2512ATZ	500	150/300	52	1.71	D5030R	26,466	N2	520	87	T25S1322	STAB	417708-21
40	1750/2300	LC2512ATZ	500	150/300	68	2.4	D5040R	28,717	N2	605	6,87	T25S1323	STAB	417708-21
		MC2812ATZ	500	150/300	85	2.02	D5050R	41,092	N2	766	6,87	T28S1313	STAB	417708-26
60	1750/2100	LC2812ATZ	500	300	100	2.78	D5060R	45,931	N2	860	6,87	T28S1314	STAB	417708-26

NOTES: Encoder and tachometer kits available.

- (a) Field amps at 25°C
- (b) Field amps for high voltage connection
- (c) 180 TC C-face
- (d) Power Code D
- (e) Top mounted conduit box, if blower added, blower must be mounted F-1 or F-2

Definite Purpose Motors
 Unit Handling Motors
 Brake Motors
 IEC Frame Motors
 50 Hertz Motors
 Inverter/Vector Motors & Controls
 DC Motors and Controls
 Gearmotors and Gear Products
 Motor Accessories
 Grinders

RPM III DC Motor Encoder and Tachometer Kits

Applications: Encoder and Tachometer Kits for field installation

Features: Kits include the encoder or tachometer and all mounting hardware required for installation on RPM III DC Motors.

Device Type	Output	Catalog Number	Frames	Enclosure	List Price	Mult. Sym.	Ap'x. Shpg. Wgt.
RD120-1	1 x 120 ppr	417708-30	DC180, C180, DC2112	DPG, DPFV	3,164	E8	5
		417708-32	C210-C250	DPG, DPFV, TENV	3,164	E8	5
		417708-33	C280-C400	DPG, DPFV, TENV	3,164	E8	5
		417708-153	C440	DPG, DPFV, TENV	3,164	E8	5
RD120-2	2 x 120 ppr	417708-34	DC180, C180, DC2112	DPG, DPFV	3,764	E8	5
		417708-36	C210-C250	DPG, DPFV, TENV	3,764	E8	5
		417708-37	C280-C400	DPG, DPFV, TENV	3,764	E8	5
		417708-154	C440	DPG, DPFV, TENV	3,764	E8	5
H20	1024 ppr	417708-133	DC180, C180, DC2112	DPG, DPFV, TENV	4,036	E8	5
		417708-134	C210-C250	DPG, DPFV, TENV	4,036	E8	5
		417708-135	C280-C400	DPG, DPFV, TENV	4,036	E8	5
		417708-151	C440	DPG, DPFV, TENV	4,036	E8	5
RL67	1024z ppr	417708-126	DC180, C180, DC2112	DPG, DPFV, TENV	5,128	E8	4
		417708-136	C210-C250	DPG, DPFV, TENV	5,128	E8	6
		417708-137	C280-C400	DPG, DPFV, TENV	5,128	E8	6
		417708-138	C440	DPG, DPFV	5,128	E8	4
PTG4590AC	45/90VAC/ 1000RPM	417708-244	DC180, C180, DC2112	DPG, DPFV, TENV	4,673	N5	35
		417708-245	C210-C250	DPG, DPFV, TENV	4,673	N5	22
		417708-246	C280-C400	DPG, DPFV, TENV	4,673	N5	22
		417708-247	C440	DPG, DPFV, TENV	4,673	N5	35

Encoder and Tachometer Mounting Kits (less tach)

Applications: Encoder and Tachometer Kits for field installation

Features: Kits include all mounting hardware required for installation on RPM III DC motors. Feedback device not included.

Device Type	Catalog Number	Frames	Enclosure	List Price	Mult. Sym.	Ap'x. Shpg. Wgt.
XC42, XC46, BC42, BC46, H56, 800123-R & -S	413336-2R	DC180, C180, DC2112	DPG, DPFV, TENV	1,689	A8	9
	417708-22	C210-C250	DPG, DPFV, TENV	1,689	A8	9
	417708-27	C280-C400	DPG, DPFV, TENV	1,689	A8	9
	417708-155	C440	DPG, DPFV, TENV	1,689	A8	9
	417709-21	C180	TEFC	4,245	A8	19
	417709-58	C210	TEFC	4,245	A8	20
	417709-59	C250	TEFC	4,245	A8	23
	417709-60	C280	TEFC	4,245	A8	23
	417709-61	C320	TEFC	4,245	A8	29
XPY, XPYII, 5PY, RPY444	413336-1R	DC180, C180, DC2112	DPG, DPFV, TENV	1,689	A8	7
	417708-21	C210-C250	DPG, DPFV, TENV	1,689	A8	7
	417708-26	C280-C400	DPG, DPFV, TENV	1,689	A8	7
	417708-156	C440	DPG, DPFV, TENV	1,689	A8	8
	417709-17	C180	TEFC	4,245	A8	6
	417709-65	C210	TEFC	4,245	A8	6
	417709-66	C250	TEFC	4,245	A8	9
	417709-67	C280	TEFC	4,245	A8	15
	417709-68	C320	TEFC	4,245	A8	18
RL67	417708-40	DC180, C180, DC2112	DPG, DPFV, TENV	1,091	A8	1
	417708-41	C210 - C250	DPG, DPFV, TENV	1,091	A8	2
	417708-42	C280 - C400	DPG, DPFV, TENV	1,091	A8	1
	417708-157	C440	DPG, DPFV, TENV	1,091	A8	1

Blower Kits for use with RPM III DC Motors
Suitable for operation on 230/460V or 240/480V, 3-Phase, 50/60 Hz

Motor Frame	Catalog Number	List Price	Mult. Sym.	Ap'x. Shpg. Wgt. (lb)	Description
C180ATZ, DC180ATZ	417077-51	1,491	A8	44	Blower Kit Without Filter
C210ATZ	419947-29	1,491	A8	83	Blower Kit Without Filter
C250ATZ	419947-30	1,491	A8	39	Blower Kit Without Filter
C280ATZ	419947-32	1,823	A8	84	Blower Kit Without Filter
C320ATZ	419947-34	2,123	A8	90	Blower Kit Without Filter
C3612ATZ	417077-74	2,123	A8	90	Blower Kit Without Filter
C3613ATZ	417077-127	2,123	A8	110	Blower Kit Without Filter
C400ATZ	417077-75	2,324	A8	85	Blower Kit Without Filter
C440ATZ	417077-126	4,738	A8	225	Blower Kit Without Filter

Filter Kits for use with DPG-FV, RPM III DC motors

Motor Frame	Catalog Number	List Price	Mult. Sym.	Ap'x. Shpg. Wgt. (lb)	Description
C180ATZ, DC180ATZ	417077-57	911	A8	2	Washable Wire Mesh Canister Type
C2113ATZ	417077-58	911	A8	4	Washable Wire Mesh Canister Type
C2115ATZ	417077-59	911	A8	4	Washable Wire Mesh Canister Type
C2512ATZ	417077-58	911	A8	4	Washable Wire Mesh Canister Type
C2514ATZ	417077-59	911	A8	4	Washable Wire Mesh Canister Type
C2515ATZ	417077-59	911	A8	4	Washable Wire Mesh Canister Type
C2812ATZ	417077-59	911	A8	4	Washable Wire Mesh Canister Type
C2813ATZ	417077-59	911	A8	4	Washable Wire Mesh Canister Type
C2815ATZ	417077-59	911	A8	4	Washable Wire Mesh Canister Type
C3210ATZ	417077-59	911	A8	4	Washable Wire Mesh Canister Type
C3212ATZ	417077-59	911	A8	4	Washable Wire Mesh Canister Type
C3214ATZ	417077-59	911	A8	4	Washable Wire Mesh Canister Type
C3612ATZ	417077-65	1,165	A8	7	Washable Wire Mesh Canister Type
C3613ATZ	417077-102	1,642	A8	6	Washable Wire Mesh Canister Type
C400ATZ	417077-102	1,642	A8	6	Washable Wire Mesh Canister Type
C440ATZ	417077-124	1,893	A8	22	Square Replaceable Polyester Type

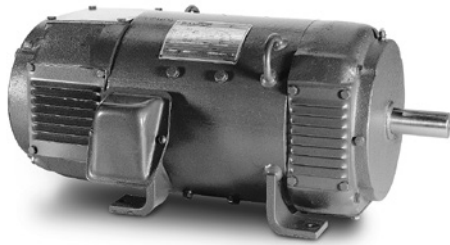
Sliding Bases for RPM III DC motors

Applications: Used for adjusting belt tension on belted applications. Not suitable for wall or ceiling mounting.

Motor Frame	Catalog Number	List Price	Mult. Sym.	Ap'x. Shpg. Wgt. (lb)	Description	Dimension Sheet
DC1810ATZ	42384-26D	319	A8	14	Standard Duty	609987-501
DC1811ATZ	42384-26BE	319	A8	17	Heavy Duty	609987-501
C1811ATZ	42384-26BE	278	A8	17	Heavy Duty	609987-1
C1812ATZ	42384-26BF	319	A8	17	Heavy Duty	609987-1
DC2112ATZ	42384-26BH	545	A8	29	Heavy Duty	609958-51
C2113ATZ	419914-1A	545	A8	50	Heavy Duty	609957-1
C2115ATZ	419914-1P	545	A8	36	Heavy Duty	609957-1
C2512ATZ	419914-1B	634	A8	33	Heavy Duty	609957-1
C2514ATZ	419914-1R	634	A8	59	Heavy Duty	609957-1
C2515ATZ	419914-1S	634	A8	36	Heavy Duty	609957-1
UC2812ATZ	419914-1C	1,223	A8	37	Heavy Duty	609957-1
UC2813ATZ	419914-1T	1,223	A8	26	Heavy Duty	609957-1
UC2815ATZ	419914-1U	1,223	A8	42	Heavy Duty	609957-1
UC3212ATZ	419914-1D	1,606	A8	69	Heavy Duty	609977-1
UC3214ATZ	419914-1W	1,606	A8	76	Heavy Duty	609977-1
UC3612ATZ	419914-1E	2,166	A8	76	Heavy Duty	609977-1
UC3613ATZ	419914-1X	2,166	A8	81	Heavy Duty	609977-1

SCR Drive Motors, Shunt and Stabilized Shunt Wound – DPGF, Self Ventilated, Rigid Base

5 thru 250 Hp



Features:

- High dielectric stability
- Low moment of inertia armature for fast response
- Includes thermostat on interpole
- Constant pressure brush springs and longer brushes for reduced maintenance
- Class F insulation system
- Includes grease fittings and reliefs for bearing maintenance
- Tachometer adaptable

Applications:

- Conveyors
- Plastic extruders
- Packaging machinery
- Other constant torque applications

Hp	Base/Max Speed (a)	NEMA Frame	Voltage D.C.		Full Load Amperage		Catalog Number	List Price Motors Only (c)	Mult. Sym.	Ap'x. Shpg. Wgt. (d)	XPY Tach Kit	Blower Catalog Number	Notes (e)
			Arm.	Field	Arm.	Field (b)							
5	1750/2300	L186AT	240	150/300	17.7	.74	D2005P	6,242	N2	180	TKP1836XP	FVB3180	2,20
			500	150/300	8.5	.669	D5005P	6,242	N2	162	TKP1836XP	FVB3180	2,20
7 1/2	1750/2300	1810AT	240	150/300	27.8	.92	D2007P	7,258	N2	218	TKP1836XP	FVB3180	2,20
		218AT	500	150/300	13.2	.685	D5007P	8,009	N2	235	TKP1836XP	FVB3210	2,20
10	1750/2300	219AT	240	150/300	36.6	2.14	D2010P	8,238	N2	245	TKP1836XP	FVB3210	2,20
			500	150/300	17.2	1.36	D5010P	8,238	N2	255	TKP1836XP	FVB3210	2,20
15	1750/2300	258AT	240	150/300	55	2.60	D2015P	9,861	N2	375	TKP1836XP	FVB3250	2,20
			500	150/300	25.2	1.39	D5015P	9,861	N2	375	TKP1836XP	FVB3250	2,20
20	1750/2300	259AT	240	150/300	70.5	2.48	D2020P	11,273	N2	430	TKP1836XP	FVB3250	2,20
			500	150/300	35.1	1.24	D5020P	11,273	N2	430	TKP1836XP	FVB3250	2,20
25	1750/2300	288AT	240	150/300	89.2	2.96	D2025P	15,236	N2	575	TKP1836XP	FVB4280	2,20
		287-8AT	500	150/300	43.4	1.64	D5025P	15,236	N2	490	TKP1836XP	FVB4280	2,20
30	1750/2300	288AT	240	150/300	106	2.96	D2030P	15,236	N2	595	TKP1836XP	FVB4280	2,20
			500	150/300	50	2	D5030P	15,236	N2	590	TKP1836XP	FVB4280	2,20
40	1750/2100	328AT	500	150/300	67.9	2.16	D5040P	20,393	N2	784	TKP1836XP	FVB6320	2,20
50	1750/2100	328AT	500	150/300	83.7	1.99	D5050P	20,393	N2	822	TKP1836XP	FVB6320	2,20
60	1750/2100	365-6AT	500	150/300	98.6	1.74	D5060P	27,343	N2	790	TKP1836XP	FVB6400	2,20
75	1750/2100	366AT	500	150/300	123	1.48	D5075P	27,343	N2	905	TKP1836XP	FVB6400	2,20
100	1750/2000	368AT	500	150/300	158	3	D50100P	36,878	N2	1100	TKP1836XP	FVB6400	2,20
125	1750/2000	407AT	500	150/300	200	3	D50125P	42,414	N2	1445	TKP400XP	FVB6400	2,20
150	1750/2000	409AT	500	150/300	237	2.34	D50150P	52,882	N2	1785	TKP400XP	FVB6400	2,20
200	1750/1900	504AT	500	150/300	320	3.9	D50200P	65,981	N2	2095	TKP500XP	FVB8500	2,20
250	1750/1900	506AT	500	150/300	392	5.01	D50250P	79,067	N2	2540	TKP500XP	FVB8500	2,20

NOTES:

- (a) DPGF enclosure is self-ventilated. Speed can be reduced to approximately 60% of base speed with constant torque. See performance data in CA608 catalog for specific speed-torque curves. Separate blower can be used to increase operating range below 60% of base speed.
- (b) Field amps are for 150V connection on 240VDC motors; 300V connection on 500VDC motors. 360, 400 & 500 frames are 4 pole stabilized shunt until 3rd quarter 2006 when they became shunt. Others are 2 pole shunt.
- (c) Does not include price of blower.
- (d) Does not include weight of blower.
- (e) See notes on inside back flap.
- 180 frame motors are supplied without external conduit box, see online layout drawing for details.

**SCR Drive Motor, Shunt and Stabilized Shunt Wound
DPBV Enclosure – Rigid Base**

40 thru 500 Hp

Define Purpose
Motors

Unit Handling
Motors

Brake Motors

IEC Frame
Motors

50 Hertz
Motors

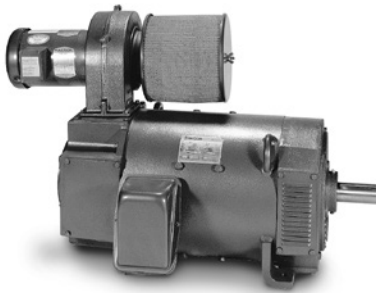
Inverter/Vector
Motors & Controls

DC Motors
and Controls

Gearmotors and
Gear Products

Motor
Accessories

Grinders



Features:

- High dielectric stability
- Low moment of inertia armature for fast response
- Includes thermostat on interpole
- Constant pressure brush springs and longer brushes for reduced maintenance
- Class F insulation system
- Includes grease fittings and reliefs for bearing maintenance
- Tachometer adaptable
- Blower-ventilated, includes filter

Applications:

- Conveyors
- Plastic extruders
- Packaging machinery
- Other constant torque applications

Hp	Base/Max Speed	NEMA Frame	Voltage D.C.		Full Load Amperage		Catalog Number	List Price w/Blower & Filter	Mult. Sym.	Ap'x. Shpg. Wgt.	XPY Tach Kit	Notes (b)
			Arm.	Field	Arm.	Field (a)						
40	1750/2100	328AT	240	150/300	138	2.64	D2040P-BV	23,764	N2	855	TKP1836XP	2,20
			500	150/300	67.9	2.16	D5040P-BV	23,764	N2	830	TKP1836XP	2,20
50	1750/2100	328AT	240	150/300	175	2.64	D2050P-BV	23,764	N2	873	TKP1836XP	2,20
			500	150/300	83.7	1.99	D5050P-BV	23,764	N2	885	TKP1836XP	2,20
60	1750/2100	366AT	240	150/300	201	5.58	D2060P-BV	30,715	N2	980	TKP1836XP	2,20
		365-6AT	500	150/300	98.6	1.74	D5060P-BV	30,715	N2	880	TKP1836XP	2,20
75	1750/2100	366AT	240	150/300	256	5.58	D2075P-BV	30,715	N2	975	TKP1836XP	2,20
			500	150/300	123	1.48	D5075P-BV	30,715	N2	960	TKP1836XP	2,20
100	1750/2000	368AT	500	150/300	158	3	D50100P-BV	40,250	N2	1145	TKP1836XP	2,20
125	1750/2000	368AT	500	150/300	197	3	D50125P-BV	40,250	N2	1170	TKP1836XP	2,20
150	1750/2000	407-9AT	500	150/300	238	2.69	D50150P-BV	46,126	N2	1519	TKP400XP	2,20
200	1750/1900	409AT	500	150/300	311	3.75	D50200P-BV	57,457	N2	1830	TKP400XP	2,20
250	1750/1900	504-6AT	500	150/300	405	4.85	D50250P-BV	70,339	N2	2175	TKP500XP	2,20
300	1750	506AT	500	150/300	478	6.2	D50300P-BV	83,425	N2	2629	TKP500XP	2,20
400	1750/1900	508AT	500	150/300	624	6.07	D50400P-BV	117,765	N2	3285	TKP5006XP	2,20
500	1750/1900	5010AT	500	150/300	788	6.03	D50500P-BV	154,655	N2	4170	TKP500XP	2,20

NOTES:

- (a) Field amps are for 150V connection on 240VDC motors; 300V connection on 500VDC motors.
 360 through 500 frames are 4 pole stabilized shunt, until 3rd quarter 2006 when they became shunt. Others are 2 pole shunt. Tach mounting kits available.
 (b) See notes on inside back flap.

**SCR Drive Motor, 240V Armature – 240V Field Shunt
Wound DPFPG – Self-Ventilated Rigid Base and C-Face**

3 thru 15 Hp



Features:

- High dielectric stability
- Low moment of inertia armature for fast response
- Includes thermostat on interpole
- Constant pressure brush springs and longer brushes for reduced maintenance
- Class F insulation system
- Includes grease fittings and reliefs for bearing maintenance
- Power Code C or M-G sets
- Maximum RPM by field weakening

Applications:

- Textile equipment
- Conveyors
- Plastic extruders
- Packaging machinery
- Other constant torque applications

Hp	Base/Max Speed	NEMA Frame	Voltage D.C.		Full Load Amperage		Catalog Number	List Price Motor (b)	Mult. Sym.	Ap'x. Shpg. Wgt. (c)	XPY Tach Kit	Blower Catalog Number	Notes (d)
			Arm.	Field	Arm.	Field (a)							
3	1750/2300	L186ATC	240	120/240	10.6	.445	CD2003P-2	6,453	N2	170	TKP1836XP	FVB3180	2
5	1750/2300	L186ATC	240	120/240	17.7	.484	CD2005P-2	6,453	N2	170	TKP1836XP	FVB3180	2
7 1/2	1750/2300	1810ATC	240	120/240	28.1	.458	CD2007P-2	7,468	N2	222	TKP1836XP	FVB3180	2
10	1750/2300	219ATC	240	120/240	36.6	1.26	CD2010P-2	8,834	N2	250	TKP1836XP	FVB3210	2
15	1750/2300	258ATC	240	120/240	55	1.25	CD2015P-2	10,458	N2	408	TKP1836XP	FVB3250	2

NOTES:

- (a) Field amps for 240VDC connection.
 (b) Does not include price of blower and filter.
 (c) Does not include weight of blower and filter. Tach mounting kits available.
 (d) See notes on inside back flap. 180 frame motors are supplied without external conduit box, see online layout drawing for details.

Shunt Wound SCR Drive Motor – TEFC, Rigid Base

5 thru 25 Hp



Features:

- Includes thermostat on interpole
- Constant pressure brush springs and longer brushes for reduced maintenance
- Class F insulation system
- Includes grease fittings and reliefs for bearing maintenance
- Tachometer adaptable

Applications:

- Conveyors
- Packaging machinery

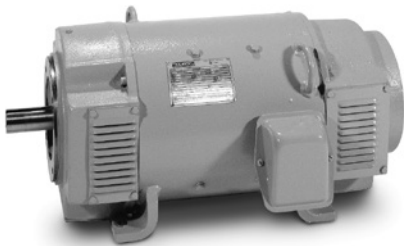
Hp	Base/Max Speed	NEMA Frame	Voltage D.C.		Full Load Amperage		Catalog Number	List Price Motors Only	Mult. Sym.	Ap'x. Shpg. Wgt.	XPY Tach Kit	Notes (b)
			Arm.	Field	Arm.	Field (a)						
5	1750/2300	1810AT	240	150/300	17.6	0.764	D2505P	9,004	N2	220	N/A	2
			500	150/300	8.3	0.382	D5505P	9,004	N2	214	N/A	2
7 1/2	1750/2300	2110AT	240	150/300	26.6	2.10	D2507P	10,480	N2	300	TKP2136XPT	2
			500	150/300	12.3	1.05	D5507P	10,480	N2	310	TKP2136XPT	2
10	1750/2300	259AT	240	150/300	34.3	1.72	D2510P	13,020	N2	250	TKP2136XPT	2
			500	150/300	16.3	0.86	D5510P	13,020	N2	250	TKP2136XPT	2
15	1750/2300	288AT	240	150/300	51.7	1.96	D2515P	17,374	N2	630	TKP2136XPT	2
			500	150/300	24.5	0.99	D5515P	17,374	N2	630	TKP2136XPT	2
20	1750/2300	328AT	240	150/300	68.8	2.22	D2520P	22,882	N2	850	TKP2136XPT	2
			500	150/300	32.7	1.11	D5520P	22,882	N2	875	TKP2136XPT	2
25	1750/2300	328AT	240	150/300	84.8	2.22	D2525P	22,882	N2	872	TKP2136XPT	2
			500	150/300	40.9	1.11	D5525P	22,882	N2	875	TKP2136XPT	2

NOTES:

- (a) Field amps are for 150V connection on 240VDC motors; 300V connection on 500VDC motors. Tach mounting kits available.
 (b) See notes on inside back flap.
 180 frame motors are supplied without external conduit box, see online layout drawing for details.

Lifting Magnet Generators

5 thru 40 kW



Features:

- Class H insulation with Class F temperature rise
- Precision brush holders
- Constant pressure brush springs
- Double sealed bearings
- Compound wound with drooping voltage characteristics
- CDMG generators have C-face and base mounting

Applications:

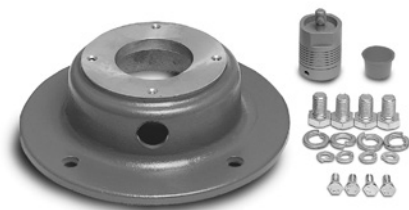
- Crane mounted lifting magnets

kW	Base Speed	NEMA Frame	Voltage D.C.		Full Load Amperage		Catalog Number	List Price	Mult. Sym.	Ap'x. Shpg. Wgt.	Field Control Rheostat		Notes (a)
			Arm.	Field	Arm.	Field					Ohms	Amp Max.	
5	2500	1810AT	230	230	21.7	0.62	DMG2305	7,521	N2	220	300	0.85	2
7 1/2	2500	219AT	230	230	32.6	1.15	DMG2307	8,652	N2	245	150	1.6	2
		219ATC	230	230	43.5	0.878	CDMG2310	10,190	N2	250	200	1.4	2
10	2500	259AT	230	230	65	1.33	DMG2315	16,097	N2	250	200	1.82	2
		259ATC	230	230	65	1.33	CDMG2315	16,684	N2	250	200	1.82	2
15	1750	288AT	230	230	87	1.8	DMG2320	17,622	N2	595	125	2.52	2
		288ATC	230	230	87	1.8	CDMG2320	18,625	N2	613	125	2.52	2
20	1750	328AT	230	230	109	2.13	DMG2325	19,269	N2	820	100	3.0	2
		328ATC	230	230	109	2.13	CDMG2325	20,265	N2	886	100	3.0	2
25	1750	328AT	230	230	144	2.13	DMG2333	24,435	N2	840	100	3.0	2
		328ATC	230	230	144	2.13	CDMG2333	25,423	N2	880	100	3.0	2
33	1750	328AT	230	230	174	3.7	DMG2340	26,785	N2	910	50	5.2	2

NOTES:

- Field control rheostat and meters are not included in price or available from Baldor.
 (a) See notes on inside back flap.

Tach Mounting Kits and Cooling Blowers for DC Integral Hp Motors



Applications: Allows addition of DC, AC and digital tachometers to large DC motors for closed-loop operation.

Features: Tach mounting kits supply adapter, coupling, accessory shaft and mounting hardware. Allows mounting to 8.5 inch accessory face on most large DC motors.

Tach Mounting Kits for DC Integral Hp Motor Catalog No. Ending With “P”

Tach Type	Motor Frame	Motor Enclosure	Catalog Number	List Price	Mult. Sym.	Ap'x. Shpg. Wgt.
XPYII XPY, DPY BTG1000	180/360	DPFG, DPBV	TKP1836XP	1,142	A8	1
	210/360	TEFC	TKP2136XPT	1,142	A8	13
	400	DPFG, DPBV	TKP400XP	1,142	A8	2
	500	DPFG, DPBV	TKP500XP	1,142	A8	3
XC42 or XC46	210/360	DPFG, DPBV	TKP2136XC	1,689	A8	16
	500	DPFG, DPBV	TKP500XC	1,689	A8	7
ENC00NV ENCODER	180/360	DPFG, DPBV	TKP1836ENC	867	A8	17
	400	DPFG, DPBV	TKP400ENC	867	A8	16
	500	DPFG, DPBV	TKP500ENC	867	A8	17
NCS PANCAKE	210/360	DPFG, DPBV	TKP2136NC	65	A8	3
	400	DPFG, DPBV	TKP400NC	65	A8	1
	500	DPFG, DPBV	TKP500NC	65	A8	1
AC PANCAKE	210/360	DPFG, DPBV	TKP2136AC	65	A8	2
	400	DPFG, DPBV	TKP400AC	65	A8	1
	500	DPFG, DPBV	TKP500AC	65	A8	1

Blower and Mounting Kits for DC Integral Hp Motor Catalog No. Ending With “P”

Motor Frame	Catalog Number	Blower Power	Blower Size	List Price	Mult. Sym.	Ap'x. Shpg. Wgt.
Blower and Mounting Kit						
180	FVB3180	1 PH	LM 3	1,491	A8	18
210	FVB3210	3 PH	LM 3	1,491	A8	25
250	FVB3250	3 PH	LM 3	1,491	A8	19
280	FVB4280	3 PH	LM 4	1,823	A8	44
320	FVB6320	3 PH	LM 6	2,123	A8	46
360-400	FVB6400	3 PH	LM 6	2,323	A8	59
504-506	FVB8500	3 PH	LM 8	2,750	A8	93
508-5012	FVB95010 (a)	3 PH	LM 9	4,738	A8	171
Filter and Hardware for Above Blowers						
180, 210, 250	FLT3210-250 (b)	-	LM 3	791	A8	2
280	FLT4280	-	LM 4	791	A8	9
320,360,400	FLT6320-400	-	LM 6	791	A8	14
504-506	FLT8500	-	LM 8	965	A8	9

NOTES:

(a) Includes Blower and Filter.

(b) Also used with FVB3180.

Definite Purpose Motors
 Unit Handling Motors
 Brake Motors
 IEC Frame Motors
 50 Hertz Motors
 Inverter/Vector Motors & Controls
 DC Motors and Controls
 Gearmotors and Gear Products
 Motor Accessories
 Grinders

Tachometer Generators DC, AC and Digital Output



Applications: Speed feedback for controls (encoders also offer position feedback).

Features: Ball bearing construction, standard mounting flanges and/or feet.

Generator Type	Voltage	Catalog Number	List Price	Mult. Sym.	Ap'x. Shpg. Wgt.
XPY Flange Mount (DC)					
30AFL-0	50VDC	BTG1000	559	DS	7
XPYIII	100VDC	BTG100XPS	1,021	N5	6
XPYII	100VDC	PTG100XPS	1,509	N5	10
XPY	100VDC	PTG100XP	1,453	N5	6
XPYIII	50VDC	BTG50XPS	1,021	N5	2
XPYII	50VDC	PTG50XPS	1,509	N5	8
XPY	50VDC	PTG50XP	1,453	N5	6
XPY Washdown Flange Mount (DC)					
XPYII	100VDC	PTGWD100XPS	1,607	N5	10
XPYIII	100VDC	BTGWD100XPS	1,214	N5	2
XPYII	50VDC	PTGWD50XPS	1,607	N5	10
XPYIII	50VDC	BTGWD50XPS	1,214	N5	2
Encoder Based Digital PY Flange Mount					
DPY	1024PPR	PTG1024LD (a)	1,895	N5	1
Electrically Isolated Encoder					
E-ACC	1024PPR	ENC00NV (a) (b)	1,932	E8	2
Metric Flange Mount (DC)					
XPY	60VDC	PTG60XP-M (c)	1,453	N5	5
XPYII	60VDC	PTG60XPS-M (c)	1,509	N5	11
XPYIII	60VDC	BTG60XPS-M (c)	1,021	N5	2
Foot Mount (DC)					
XPY	100VDC	PFTG100XP	1,453	N5	6
XPY	50VDC	PFTG50XP	1,453	N5	6
Foot Mount with Face (DC)					
XC42	100VDC	PFTG42100X	2,857	N5	33
XC42	50VDC	PFTG4250XC	2,920	N5	32
XC46	100VDC	PFTG46100X	5,021	N5	43
XC46	50VDC	PFTG4650XC	5,021	N5	44
Pancake Mount (AC & DC)					
AC	45/90VAC	PTG4590AC (d)	1,396	N5	8
NCS	50VDC	PTG50NC (d)	2,085	N5	8

NOTES:

Flange mounted tachs require tach adapters.

XPY tachs have UL listing, file number E109527, CSA file number LR36841-5, XPYII tachs are pending approval.

(a) See Feedback Cable Assemblies for cables.

(b) Electrically isolated encoder & kit: Mounts to SCR motors using appropriate adapter shown on page 255 may eliminate the need for EXB00801 isolated encoder feedback board.

(c) Requires adapter for metric flange tach. Will not mount on adapters for PY flanges.

(d) Does not mount to TEFC. See catalog MN605 for details. Will only mount to DPF and DPBV rigid base mount motors using tach mounting adapter.

Definite Purpose Motors

Unit Handling Motors

Brake Motors

IEC Frame Motors

50 Hertz Motors

Inverter/Vector Motors & Controls

DC Motors and Controls

Gearmotors and Gear Products

Motor Accessories

Grinders

Field Conversion Tach Mounting Kits for Permanent Magnet and Shunt Wound Motor



For PY Flange mounted BTG1000, XPY, XPYII and DPY tachometers. Complete kits consisting of fan cover (except TK3300), shaft extension coupling and tach adapter bracket with miscellaneous hardware. If you prefer, the conversion can be made by Baldor Mod Express. Tach kits will not work with Explosion Proof Motors (CDPX or CDX). See PY flange mount tachs.

Baldor Motor Type	Kit Catalog Number	List Price	Mult. Sym.	Ap'x. Shpg. Wgt.
3300P	TK3300	202	A8	1
3400D/P	TK3400	358	A8	4
3500D/P	TK3500	377	A8	9
3600D	TK3600	498	A8	10
3600P	TK3600PM	498	A8	7
7500D	TK7500	516	A8	17
9100D	TK9100	557	A8	23

Definite Purpose Motors

Unit Handling Motors

Brake Motors

IEC Frame Motors

50 Hertz Motors

Inverter/Vector Motors & Controls

DC Motors and Controls

Gearmotors and Gear Products

Motor Accessories

Grinders

NEMA 1 Enclosed DC Controls for PMDC and Shunt Wound Motors

1/100 thru 2 Hp 115/230 VAC Single Phase 50/60 Hz.

Applications: General purpose industrial use with permanent magnet or shunt wound DC motors.

Features: SCR controls have a free-wheeling diode and feature adjustable accel, decel, current limit, IR comp, min. and max speed pots to match applications. The anti-demag feature protects PM motors and helps protect the SCR power bridge against direct shorts.

Rugged all-metal NEMA 1 / IP20 enclosure. Unidirectional drives - change motor rotation by switching armature leads or by adding Forward/Brake/Reverse switch kit, if available.

The controls have US and Canadian UL component recognition.

A Plug-in Horsepower Resistor® and armature fuse must be ordered and installed in BC138, BC139, BC140, BC140-FBR, BC141 and BC142.



BC140-FBR
Enclosed
(NEMA 1)



BC138
Enclosed
(NEMA 1)

Catalog Number	Hp Range & Input Voltage		Description	Max Input Current (AC Amps)	Max Output Current (DC Amps)	List Price	Mult. Sym.	Apr'x. Shpg. Wgt. (lbs)
	115VAC Input / 90VDC Armature	230VAC Input / 180VDC Armature (c)						
BC138	1/100 - 1/3	—	Enclosed SCR control, single voltage	5	3.5	218	E9	1
BC139	—	1/50 - 3/4	Enclosed SCR control, single voltage	5	3.5	218	E9	1
BC140	1/100 - 3/4	1/50 - 1.5	Enclosed SCR control, optional heatsink, dual voltage	12	6	369	E9	3
	1/100 - 1 (a)	1/50 - 2 (a)		16 (a)	12 (a)			
BC140-FBR (b)	1/100 - 3/4	1/50 - 1.5	BC140 with BC144 Forward/Brake/Reverse switch factory installed	12	6	510	E9	3
	1/100 - 1 (a)	1/50 - 2 (a)		16 (a)	12 (a)			

NOTES:

- (a) Max rating of 1 Hp at 115V and 2 Hp at 230V requires BC143 heatsink kit. See specification pages at the end of this section for details.
 - (b) FBR = Forward/Brake/Reverse switch installed
 - (c) Drives with 230V input can operate 90V motors at reduced performance levels. Refer to Installation & Operation Manual for details.
- A Plug-in Horsepower Resistor® and armature fuse **must** be ordered and installed in BC138, BC139, BC140 and BC140-FBR.

DC Control Accessories

Catalog Number	Description	List Price	Mult. Sym.	Apr'x. Shpg. Wgt.
BC24-LF	Ac Line Filter for use with CE Applications (24 Amps AC Max.)	75	E9	1
BC143	External Heatsink Kit (BC140, BC140-FBR, BC141, BC142, BC204)	72	E9	2
BC144	Forward-Brake-Reverse Switch Kit for BC140	124	E9	1
BC145	Signal Isolator Board	211	E9	1
BC147	Barrier Terminal Board (BC141 and BC142)	30	E9	1
BC148	Replacement Potentiometer Kit (5K ohm)	13	E9	1
BC149	Knob and Dial Kit	15	E9	1
BC152	Barrier Terminal Board With Signal Isolator (BC141 and BC142)	193	E9	1
BC218	DIN-rail mounting kit for BC141, BC142 or BC204	36	E9	1

NOTE:

BC24-LF is an AC line filter required for applications where CE is required if the control is not filtered elsewhere in the application. This filter may be used on most 115 or 230 VAC, single phase applications where CE is required.

Definite Purpose Motors

Unit Handling Motors

Brake Motors

IEC Frame Motors

50 Hertz Motors

Inverter/Vector Motors & Controls

DC Motors and Controls

Gearmotors and Gear Products

Motor Accessories

Grinders

**Chassis Mount
DC Controls**

**1/100 thru 1.5 Hp
1/50 thru 5 Hp**

**115 VAC Single Phase 50/60 Hz.
230 VAC Single Phase 50/60 Hz.**

Definite Purpose
Motors

Unit Handling
Motors

Brake Motors

IEC Frame
Motors

50 Hertz
Motors

Inverter/Vector
Motors & Controls

DC Motors
and Controls

Gearmotors and
Gear Products

Motor
Accessories

Grinders



BC142

Applications: General purpose industrial use with permanent magnet or shunt wound DC motors.

Features: Chassis-mount SCR controls have a free-wheeling diode and feature adjustable accel, decel, current limit, IR comp, min and max speed pots to match applications. The anti-demag feature protects PM motors and helps protect the SCR power bride against direct shorts. The controls have US and Canadian UL component recognition.

A Plug-in Horsepower Resistor® and armature fuse **must** be ordered and installed in all versions of BC141 and BC142.

Catalog Number	Hp Range & Input Voltage		Description	Max Input Current (AC Amps)	Max Output Current (DC Amps)	List Price	Mult. Sym.	Apr'x. Shpg. Wgt. (lbs.)
	115VAC Input / 90VDC Armature	230VAC Input / 180VDC Armature (c)						
Chassis Mount – SCR Controls								
BC141	1/100 - 0.75	—	Chassis SCR control, optional heatsink, single voltage	12.0	8.0	202	E9	1
	1/100 - 1.5 (a)	—		24.0 (a)	16.0 (a)			
BC141-SIH	1/100 - 0.75	—	BC141 with BC152 Signal Isolator and BC143 Heatsink factory installed	12.0	8.0	477	E9	2
	1/100 - 1.5 (a)	—		24.0 (a)	16.0 (a)			
BC142	—	1/100 - 1.5	Chassis SCR control, optional heatsink, single voltage	12.0	8	202	E9	2
	—	1/100 - 3.0 (a)		24.0 (a)	16.0 (a)			
BC142-SIH	—	1/100 - 1.5	BC142 with BC152 Signal Isolator and BC143 Heatsink factory installed	12.0	8.0	499	E9	2
	—	1/100 - 3.0 (a)		24.0 (a)	16.0 (a)			
BC142-5	1/100 - 0.75	1/100 - 1.5	Chassis SCR Control, optional heatsink, dual voltage, supplied without fuses and fuse holders	12.0	8.0	225	E9	1
	1/100 - 1.5 (a)	1/100 - 3.0 (a)		24.0 (a)	16.0 (a)			
BC142-6	1/100 - 0.75	1/100 - 1.5	Chassis SCR control, optional heatsink, dual voltage	12.0	8.0	224	E9	1
	1/100 - 1.5 (a)	1/100 - 3.0 (a)		24.0 (a)	16.0 (a)			
BC142-6-SIH	1/100 - 0.75	1/100 - 1.5	BC142-6 with BC152 signal isolator board and BC143 Heatsink factory installed	12.0	8.0	499	E9	1
	1/100 - 1.5 (a)	1/100 - 3.0 (a)		24.0 (a)	16.0 (a)			
BC155	—	5.0	Chassis SCR control with heatsink, single voltage	38.0	26.0	660	E9	5
Chassis Mount – Line Regenerative SCR Controls								
BC204	1/6 - 0.75	1/3 - 1.0	Chassis regen SCR control, optional heatsink, dual voltage	12.0	8.0	377	E9	3
	1/6 - 1.5 (a)	1/3 - 2.0 (a)		16.0 (a)	11.0 (a)			
BC204-BPSI	1/6 - 0.75	1/3 - 1.0	BC204 with BC215 Bi-polar Signal Isolator factory installed	12.0	8.0	487	E9	3
	1/6 - 1.5 (a)	1/3 - 2.0 (a)		16.0 (a)	11.0 (a)			
BC200	1/8 - 1.0	1/4 - 2.0	Chassis regen SCR control, optional heatsink, dual voltage	16.0	11.0	704	E9	4
BC201	1/8 - 1.5	1/4 - 3.0	Chassis regen SCR control, optional heatsink, dual voltage	16.0	16.0	836	E9	1
BC203	—	5.0	Chassis regen SCR control, with heatsink, single voltage	38.0	25.0	1,052	E9	10

NOTES:

Chassis mount controls include 5k speed potentiometer.

Chassis mount control accessories are shown on the previous page

(a) BC143 Heatsink kit required for higher power ratings. See accessory table at the end of this section for details.

(b) Except for BC203, drives with 230V input can operate 90V motors at reduced performance levels. Refer to Installation & Operation Manual for details.

Plug-in Horsepower Resistor and Fuse Kit



Horsepower Resistors should be selected based on the motor's rated current. The price of the Hp resistor and fuse is included in the BC138, BC139, BC140, BC140-FBR, BC141 and BC142 list price.

See selection below for catalog number.

Ordered as a separate item and shipped at no charge with a drive. Spare resistor kits are available for \$11.00 list, E9 multiplier.

Motor Hp Armature Voltage	Plug-In Hp Resistor Resistance Value (Ohms)	Catalog Number	Ap'x DC Current (Amps)	DC Fuse Rating For Armature
1/100	1/50	BR1000	0.20	0.5
1/50	1/25	BR0510	0.30	0.5
1/30	1/15	BR0350	0.33	0.5
1/20	1/10	BR0250	0.5	0.75
1/15	1/8	BR0251	0.8	1.0
1/12	1/6	BR0180	0.85	1.25
1/8	1/4	BR0100	1.3	2.0
1/6	1/3	BR0101	2.0	2.5
1/4	1/2	BR0050	2.5	4.0
1/3	3/4	BR0035	3.3	5.0
1/2	1	BR0025	5.0	8.0
3/4	1 1/2	BR0015SP	7.5	12.0
1 (a)	2 (a)	BR0010SP	10	15.0
1 1/2 (a)	3 (a)	BR0006	15	25.0 (b)

NOTES:

(a) External Heatsink required.

(b) Also used with AC Line Fuse. For AC line fuse rating see manual.

Definite Purpose
Motors

Unit Handling
Motors

Brake Motors

IEC Frame
Motors

50 Hertz
Motors

Inverter/Vector
Motors & Controls

DC Motors
and Controls

Gearmotors and
Gear Products

Motor
Accessories

Grinders

NEMA 4X DC Control and Accessories

**1/4 thru 2 Hp
3 Hp**

**115/230 VAC
230 VAC**

**Single Phase 50/60 Hz.
Single Phase 50/60 Hz.**



BC154 / BC160 / BCWD140 / BC354

Applications: Constant torque, new or replacement.

Features: NEMA 4X / IP65 sealed enclosure with built-in heatsink for wet / dirty environments. BC154, BCWD140 and BC160 are unidirectional controls. Change motor direction by switching armature leads or by adding Forward/ Brake/Reverse switch kit, if available. BC254 is a line regenerative SCR control for reversing applications and can drive the motor to a timed stop. BC354 is a PWM control that provides low-ripple DC power to the motor allowing more Hp when used with a 130 or 260 VDC motor. BC154, BC160, BC254 and BC354 are painted light gray and come with a start-stop switch. BCWD140 has a white epoxy coating (ideal for food processing applications) with forward/brake/reverse and run-jog switches installed. All offer a choice of armature or tachometer feedback and a speed or torque mode.

No Hp resistors are needed for these controls and current is jumper selectable.

Catalog Number	Hp Range & Input Voltage		Description	Max Input Current (AC Amps)	Max Output Current (DC Amps)	List Price	Mult. Sym.	Apr'x. Shpg. Wgt. (lbs.)
	115VAC Input / 90VDC Armature	230VAC Input / 180VDC Armature (c)						
NEMA 4X / IP65 Washdown Duty SCR Controls								
BC154	1/50 - 1	1/25 - 2	Enclosed SCR control, dual voltage	15.0	10.2	467	E9	5
BC154-P	1/50 - 1	1/25 - 2	BC154 with Power switch instead of Start/Stop switch	15.0	10.2	467	E9	5
BC154-R	1/50 - 1	1/25 - 2	BC154 with BC156 - Fwd/Brake/Rev Switch factory installed	15.0	10.2	616	E9	5
BC154-SI	1/50 - 1	1/25 - 2	BC154 with BC145 Signal Isolator Board and BC158 Auto/Man Switch Kit factory installed	15.0	10.2	751	E9	5
BC160	1.5	3	Enclosed SCR control, dual voltage	22.0	15.0	537	E9	3
NEMA 4X / IP65 Washdown Duty SCR Control with White Epoxy Coating								
BCWD140	1/50 - 1	1/25 - 2	Enclosed SCR control, dual voltage, white epoxy coating	15.0	10.2	625	E9	6
NEMA 4X / IP65 Washdown Duty Line Regenerative SCR Control								
BC254	1/10 - 1	1/5 - 2	Enclosed regen SCR control, dual voltage (a)	15.0	11.0	673	E9	5
BC254-FBR	1/10 - 1	1/5 - 2	BC254 with Power On/Off switch instead of Start/Stop switch and BC253 Fwd-Brake-Rev Switch factory installed	15.0	11.0	706	E9	5
NEMA 4X / IP65 Washdown Duty PWM Control								
BC354	1/50 - 0.75	1/25 - 1.5	Enclosed PWM control, dual voltage, with SCR rated motor	11.5	7.5	723	E9	5
	1/30 - 1 (b)	1/20 - 2 (b)	Enclosed PWM control, dual voltage, with PWM rated motor					

NOTES:

- (a) See the next page for BC254 accessories.
- (b) Motors with PWM rated motors designed for 130VDC (115VAC input) or 260VDC (230VAC input) will give best drive performance.
- (c) Except for BC354, drives with 230V input can operate 90V motors at reduced performance levels. Refer to Installation & Operation Manual for details.

DC SCR NEMA 4X DC Control Accessories

Catalog Number	Description	List Price	Mult. Sym.	Ap'x. Shpg. Wgt.
BC153	Electronic Forward-Dynamic Brake-Reverse Kit for BC154, BC354	223	E9	1
BC156	Mechanical Forward-Dynamic Brake-Reverse Switch for BC154, BC354	145	E9	1
BC157	Run/Jog switch for BC154 & BC160, BC354	27	E9	1
BC158	Auto/Manual Installation Kit for BC145 signal isolator for BC154, BC160, BC354	60	E9	1
BC159	AC Line Switch Kit for BC154, BCWD140, BC354	32	E9	1
BC145	Signal Isolator Board	211	E9	1

NOTE: BC159 AC Line Switch Kit is factory installed on BC154, BCWD140, BC254 and BC354. Listed here as replacement or spare parts.

Line Regenerative DC Controls and Accessories

1/4 thru 3 Hp 115/230 VAC Single Phase 50/60 Hz.
5 Hp 230 VAC Single Phase 50/60 Hz.

Applications: Frequent start/stop/reverse applications or where controlled braking is required.

Features: Single phase line regenerative open chassis control to operate permanent magnet or wound field DC motors. These line regen controls are ideal for applications with overhauling loads. In torque mode, it can be used for tensioning applications. Several accessory boards are available to further customize the control.

Includes 5k speed potentiometer. Jumper selectable current settings.



BC254-FBR



BC200 / BC201



BC204

Catalog Number	Hp Range & Input Voltage		Description	Max Input Current (AC Amps)	Max Output Current (DC Amps)	List Price	Mult. Sym.	Apr'x. Shpg. Wgt. (lbs.)
	115VAC Input / 90VDC Armature	230VAC Input / 180VDC Armature (c)						
Chassis Mount - Line Regenerative SCR								
BC204	1/6 - 0.75	1/3 - 1.0	Chassis regen SCR control, optional heatsink, dual voltage	12.0	8.0	377	E9	3
	1/6 - 1.5 (a)	1/3 - 2.0 (a)		16.0 (a)	11.0 (a)			
BC204-BPSI	1/6 - 0.75	1/3 - 1.0	BC204 with BC215 Bi-polar Signal Isolator factory installed	12.0	8.0	487	E9	3
	1/6 - 1.5 (a)	1/3 - 2.0 (a)		16.0 (a)	11.0 (a)			
BC200	1/8 - 1.0	1/4 - 2.0	Chassis regen SCR control, optional heatsink, dual voltage	16.0	11.0	704	E9	4
BC201	1/8 - 1.5	1/4 - 3.0	Chassis regen SCR control, optional heatsink, dual voltage	16.0	16.0	836	E9	1
BC203	—	5.0	Chassis regen SCR control, with heatsink, single voltage	38.0	25.0	1,052	E9	10
NEMA 4X / IP65 Washdown Duty - Line Regenerative SCR								
BC254	1/10 - 1	1/5 - 2	Enclosed regen SCR control, dual voltage	15.0	11.0	673	E9	5
BC254-FBR	1/10 - 1	1/5 - 2	BC254 with Power On/Off switch instead of Start/Stop switch and BC253 Fwd-Brake-Rev Switch factory installed	15.0	11.0	706	E9	5

NOTES:

- Chassis mount controls include 5k speed potentiometer.
- (a) BC143 Heatsink kit required for higher power ratings. See accessory table at the end of this section for details.
- (c) Except for BC203, drives with 230V input can operate 90V motors at reduced performance levels. Refer to Installation & Operation Manual for details.

Line Regenerative DC Control Accessories

Catalog Number	Description	List Price	Mult. Sym.	Apr'x. Shpg. Wgt.
Accessories for BC200, BC201 and BC203				
BC212 (b)	Bipolar signal isolator board	216	E9	1
Accessories for BC204				
BC143	External Heatsink Kit	72	E9	2
BC215 (b)	Bipolar signal isolator board	100	E9	3
BC216	Multispeed board for BC204	77	E9	1
BC218	DIN rail mounting kit	36	E9	1
Accessories for BC254				
BC245 (b)	Bipolar signal isolator for BC254	213	E9	1
BC253	Forward-Stop-Brake-Reverse Switch for BC254	27	E9	1
BC258	Auto-manual Switch for BC254	60	E9	1
BC259	AC Line Switch for BC254	27	E9	5

NOTE:

- (b) Voltage following mode only.

NEMA Enclosed DC Control Specifications

Features	Catalog Number													
	BC138	BC139	BC140 or BC140-FBR		BCWD140		BC154		BC160		BC254 or BC254-FBR		BC354	
Enclosure	NEMA 1	NEMA 1	NEMA 1		NEMA 4X		NEMA 4X		NEMA 4X		NEMA 4X		NEMA 4X	
Control Type		Reversible	Reversible		Reversible		Reversible		Reversible		Regenerative		Regenerative	
AC Line Input (VAC 50/60Hz)	115	230	115	230	115	230	115	230	115	230	115	230	115	230
Max. AC Load Current (RMS)	5.0	5.0	12.0	12.0	15.0	15.0	15.0	15.0	22	22	15	15	11.5	11.5
Max. AC Load Current (RMS) w/ BC143	—	—	16.0	16.0	—	—	—	—	—	—	—	—	—	—
DC Armature Voltage Nominal (VDC)	90	180	90-130	180	90	180	90	180	90	180	90	180	90	180
Max. DC Load Current (ADC)	3.5	3.5	6.0	6.0	10.2	10.2	10.2	10.2	15	15	11	11	7.5	7.5
Max. DC Load Current (ADC) w/ BC143	—	—	12.0	12.0	—	—	—	—	—	—	—	—	—	—
Shunt Field Power Supply (VDC)	50/100	100/200	50/100	100/200	50/100	100/200	50/100	100/200	50/100	100/200	50/100	100/200	50/100	100/200
Maximum Field Current (ADC)	1.0	1.0	1.0	1.0	1.13	1.13	1.0	1.0	1.5	1.5	1.0	1.0	1.0	1.0
Rated Horsepower Range (SCR motor)	1/100 - 1/3	1/50-3/4	1/100 - 3/4	1/50 - 1 1/2	1/50 - 1	1/25 - 2	1/50 - 1	1/25 - 2	1.5	3	1/10 - 1	1/5 - 2	1/50 - 3/4	1/25 - 1.5
Rated Horsepower Range (PWM motor)	N/A	N/A	N/A	N/A	N/A	N/A	N/A	N/A	N/A	N/A	N/A	N/A	1/30 - 1	1/20 - 2
Max. Hp with BC143 Ext. Heat Sink	N/A	N/A	1 Hp	2Hp	N/A	N/A	N/A	N/A	N/A	N/A	N/A	NA	N/A	N/A
Ambient Temp Range (°C)	0 - 40	0 - 40	0 - 40		0 - 40		0 - 40		0 - 45		0 - 40		0 - 40	
Ambient Temp Range w/ BC143 (°C)	N/A	N/A	0 - 50		N/A		N/A		N/A		N/A		N/A	
Speed Range (Motor May Be 20: 1 Constant Torque)	50:1	50:1	50:1		50:1		50:1		50:1		50:1		50:1	
Adjustable Accel / Decel Time (sec)	0.2 - 10	0.2 - 10	0.2 - 10		0.1 - 15		0.1 - 15		0.1 - 15		0.2 - 15		0.5 - 10	
Min. Speed Adjustable Range (% full speed)	0 - 30	0 - 30	0 - 30		0 - 30		0 - 30		0 - 30		N/A		N/A	
Max. Speed Adjustable Range (% full speed)	50 - 110	50 - 110	50 - 110		60 - 140		60 - 140		50 - 110		40 - 110		50 - 140	
Current Limit Adjustable Range (%)	0 - 200	0 - 200	0 - 200		0 - 200		0 - 200		0 - 180		0 - 200		0 - 200	
Adjustable Current Limit and Trip Out Type	No	No	No		Timed or Non-Timed		Timed or Non-Timed		Timed or Non-Timed		Timed or Non-Timed		Timed or Non-Timed	
Control Of Speed or Torque	Speed	Speed	Speed		Speed or Torque		Speed or Torque		Speed or Torque		Speed or Torque		Speed or Torque	
IR Compensation Adjustable (VDC)	0 - 24	0 - 24	0 - 24	0 - 48	0 - 15	0 - 30	0 - 15	0 - 30	0 - 30		0 - 15	0 - 30	0 - 15	0 - 30
Tachometer Feedback Input	No	No	No		Yes		Yes		Yes		Yes		Yes	
Plug-In Horsepower Resistor ®	Required	Required	Required		N/A		N/A		N/A		N/A		N/A	
UL & cUL Listing, CE	Yes	Yes	Yes		Yes		Yes		Yes		Yes		Yes	
AC Line Fuse	Included	Included	Included		External		External		External		External		External	
DC Armature Fuse	Included with Hp Resistor	Included with Hp Resistor	Included with Hp Resistor		Not supplied with control		Not supplied with control		External		External		External	
Options														
AC Line Switch	Standard	Standard	Standard		Opt-BC159		Opt - BC159		No		Opt - BC159		Opt - BC159	
Forward/Brake/Reverse Switch			(BC140)								(BC254)			
Mechanical	No	No	Opt - BC144		Standard		Opt - BC156		No		Opt - BC253		Opt - BC156	
Electronic	No	No	No		Opt - BC153		Opt - BC153		No		No		Opt - BC153	
Run/Jog Switch	No	No	No		Standard		Opt-BC157		Opt-BC157		No		Opt - BC157	
Input Signal: Current (1-5, 4-20, 20-50mA)	No	No	External Mount Opt - BC145		Internal Mount Opt - BC145		Internal Mount Opt - BC145		Internal Mount Opt - BC145		No		Internal Mount Opt - BC145	
Input Signal: Voltage (0-25, 0-120, 0-550 VDC)	No	No	Opt - BC145		0-5, 0-10 VDC input standard		0-5, 0-10 VDC input standard		0-5, 0-10 VDC input standard		0-5, 0-10 VDC input standard		0-5, 0-10 VDC input standard	
Electrical Connection To Control Barrier Terminal Block	Standard	Standard	Standard		Standard		Standard		Standard		Standard		Standard	
Current Sensing Relay/Overload Protector	No	No	No		Standard		Standard		Standard		Standard		Standard	
AC Line Filter for CE	Opt - BC24-LF	Opt - BC24-LF	Opt-BC24-LF		Opt-BC24-LF		Opt-BC24-LF		Opt-BC24-LF		Opt-BC24-LF		Opt-BC24-LF	

Definite Purpose Motors

Unit Handling Motors

Brake Motors

IEC Frame Motors

50 Hertz Motors

Inverter/Vector Motors & Controls

DC Motors and Controls

Gearmotors and Gear Products

Motor Accessories

Grinders

Chassis Mount DC Control Specifications

Features	Catalog Number											
	BC141	BC142	BC142-5 & BC142-6		BC155	BC204		BC200		BC201		BC203
Enclosure	Chassis	Chassis	Chassis		Chassis	Chassis		Chassis		Chassis		Chassis
Control Type	Reversible	Reversible	Reversible		Reversible	Regenerative		Regenerative		Regenerative		Regenerative
AC Line Input (VAC 50/60Hz)	115	230	115	230	230	115	230	115	230	115	230	230
Max. AC Load Current (RMS)	12.0	12.0	12.0	12.0	38.0	12.0	12.0	16.0	16.0	24.0	24.0	38.0
Max. AC Load Current (RMS) w/ BC143	24.0	24.0	24.0	24.0	N/A	16.0	16.0	N/A	N/A	N/A	N/A	N/A
DC Armature Voltage Nominal (VDC)	90	180	90	180	180	90	180	90	180	90	180	180
Max. DC Load Current (ADC)	8.0	8.0	8.0	8.0	26.0	8.0	8.0	11.0	11.0	16.0	16.0	25.0
Max. DC Load Current (ADC) w/ BC143	16.0	16.0	16.0	16.0	N/A	11.0	11.0	N/A	N/A	N/A	N/A	N/A
Shunt Field Power Supply (VDC)	50/100	100/200	50/100	100/200	100/200	50/100	100/200	50/100	100/200	50/100	100/200	100/200
Maximum Field Current (ADC)	1.13	1.13	1.13	1.13	2.5	1.0	1.0	3.0	3.0	3.0	3.0	3.0
Rated Horsepower Range	1/100 - 0.75	1/100 - 1.5	1/100 - 0.75	1/100 - 1.5	5	1/6 - 0.75	1/3 - 1	1/4 - 1	1/2 - 2	1/8 - 1.5	1/4 - 3	5
Max. Hp with BC143 Ext. Heat Sink	1/100 - 1.5	1/50 - 3	1/100 - 1.5	1/50 - 3	N/A	1/6 - 1.5	1/3 - 2	N/A		N/A		N/A
Ambient Temp Range (°C)	0 - 40	0 - 40	0 - 40		0 - 40	0 - 40		0 - 45 (horiz) 0 - 50 (vert)		0 - 45 (horiz) 0 - 50 (vert)		0 - 40
Ambient Temp Range w/ BC143 (°C)	0 - 40	0 - 40	0 - 40		N/A	0 - 40		N/A		N/A		N/A
Speed Range (Motor may be 20:1 Constant Torque)	50:1	50:1	50:1		50:1	50:1		50:1		50:1		50:1
Adjustable Accel / Decel Time (sec)	0.2 - 10	0.2 - 10	0.2 - 10		1 - 10	0.1 - 15		0.1 - 15		0.1 - 15		0.5 - 10
Min. Speed Adjustable Range (% full speed)	0 - 30	0 - 30	0 - 30		0 - 30	N/A		N/A		N/A		0 - 30
Max. Speed Adjustable Range (% full speed)	50 - 110	50 - 110	50 - 110		50 - 110	50 - 110		70 - 110		70 - 110		50 - 140
Current Limit Adjustable Range (%)	0 - 200	0 - 200	0 - 200		0 - 200	0 - 175		1 - 15		1 - 15		0 - 200
Adjustable Current Limit and Tripout Type	Non Timed	Non Timed	Non Timed		Non Timed	Non Timed		Timed		Timed		Timed
Control of Speed or Torque	Speed	Speed	Speed		Speed or Torque	Speed or Torque		Speed or Torque		Speed or Torque		Speed
IR Compensation Adjustment	Yes	Yes	Yes		Yes	Yes		Yes		Yes		Yes
Tachometer Feedback Input	Yes	Yes	Yes		Yes	Yes		Yes		Yes		Yes
Plug-in Horsepower Resistor®	Required	Required	Required		N/A	N/A		N/A		N/A		N/A
UL & cUL Listing, CE	Yes	Yes	Yes		Yes	Yes		Yes		Yes		Yes
AC Line Fuse	Included	Included	Included		External	External		Included		Included		External
DC Armature Fuse	Included with Hp Resistor	Included with Hp Resistor	Included with Hp Resistor		Included with Hp Resistor	External		Included		Included		External
Options												
Input Signal: Current (4-20mA)	Plug on Mount Opt - BC152		Plug on Mount Opt - BC152		External Mount Opt - BC145	None	None	None	None	None	None	None
Input Signal: Current (1-5, 4-20, 20-50mA)	External Mount Opt - BC145		External Mount Opt - BC145									
Input Signal: Voltage (must be isolated)	0-9 VDC Standard		0-9 VDC Standard		0 to 9 VDC Standard	0 to ± 10 VDC Standard	0 to ± 10 VDC Standard	0 to ± 10 VDC Standard	0 to ± 10 VDC Standard	0 to ± 10 VDC Standard	0 to ± 10 VDC Standard	0 to ± 10 VDC Standard
Input Signal: Voltage (0-5, 0-10, 1-100, or 0-200 VDC)	Plug on Mount Opt - BC152		Plug on Mount Opt - BC152		External Mount Opt - BC145	±5 to ±25 VDC Opt - BC215	±5 to ±250 VDC Opt - BC212	±5 to ±250 VDC Opt - BC212	±5 to ±250 VDC Opt - BC212	±5 to ±250 VDC Opt - BC212	±5 to ±250 VDC Opt - BC212	±5 to ±250 VDC Opt - BC212
Input Signal: Voltage (0-25, 0-120, or 0-550 VDC)	External Mount Opt - BC145		External Mount Opt - BC145									
Push-On Quick Connects	Standard		Standard		None	None	None	None	None	None	None	None
Barrier Terminal Block	Opt - BC147		Opt - BC147									
Regenerative Accel / Decel Board	None	None	None		None	None	Opt - BC211	Opt - BC211	Opt - BC211	Opt - BC211	Opt - BC211	Opt - BC211
AC Line Filter for CE	Opt - BC24-LF		Opt - BC24-LF		Opt - BC24-LF	Opt - BC24-LF	Opt - BC24-LF	Opt - BC24-LF	Opt - BC24-LF	Opt - BC24-LF	Opt - BC24-LF	Opt - BC24-LF

Definite Purpose Motors

Unit Handling Motors

Brake Motors

IEC Frame Motors

50 Hertz Motors

Inverter/Vector Motors & Controls

DC Motors and Controls

Gearmotors and Gear Products

Motor Accessories

Grinders

DCS800-EP DC Panel Drive

5 thru 150 Hp

230 VAC

3 Phase - 50/60 Hz

10 thru 600 Hp

460 VAC

3 Phase - 50/60 Hz

Applications: Constant torque applications. New installations, replacements and original equipment manufacturers (OEM).

Features: DC drive power module and associated system components mounted and wired on a sub-panel, ready to be installed in an industrial enclosure. Includes fuses, control transformer and contactor as standard. Blower motor starter, circuit breaker and line reactor available as modifications. Removable keypad can be door-mounted for operator interface and local speed control. Programming by groups makes it easy to navigate and find parameters. A quick start assistant and included PC software DriveWindows Light enables users to program and start using the drive in minutes without need for a User Manual.

FlexPak 3000 Replacement: Designed to easily replace a Reliance Electric® FlexPak® 3000 DC Drive.

Note: RDIO-01 Digital I/O Extension Module is recommended with FlexPak 3000 replacements.



Input Ratings	Input Voltage range	230 VAC (with +S235), 460 VAC
	Input Voltage tolerance	±10%
	Phase	3 Phase
	Frequency	50 Hz ±2%, 60 Hz ±2%
	Short circuit rating (UL 508a)	65,000 rms symmetrical Amperes
Performance Features	Accel/decel	0.01 to 30,000 sec
	Digital inputs / outputs	8 / 7 plus 1 relay output
	Analog inputs / outputs	4 plus tachometer / 2
	Feedback	Tachometer and digital encoder
Output Ratings	Horsepower	10-600 Hp @ 460 VAC, 3 Ph; 5-150 Hp @ 230 VAC, 3 Ph
	Overload capacity: 10-500 Hp	150% for 60 seconds every 15 minutes
	Overload capacity: 600 Hp	110% for 60 seconds every 10 minutes
	Motor types	DC wound-field motors, DC series-wound motors (manual tuning only)
	Armature Output Voltage	2Q (EP1): 0 to 1.15 * input voltage; 4Q (EP2): 0 to 1.03 * input voltage
	Armature Current	See rating tables and/or hardware manual
Field Ratings	Field Type	Internal, current controlled, full wave half controlled thyristor/diode bridge
	Field Input Voltage	3 phase, internally fused (shares armature line power)
	Field Output Voltage	0 to 1.35 * input voltage
	Field Output current	D1: 0.3 to 6 A; D2: 0.3 to 15 A; D3: 0.3 to 20 A; D4: 0.3 to 25 A
Protective Features	Armature overvoltage	Armature Voltage exceeds limit
	Armature overcurrent	Armature current exceeds limit
	Armature current rise maximum	Change in armature current exceeds limit
	Field undercurrent	Field current below minimum limit
	Field overcurrent	Field current exceeds limit
	Motor thermal protection	Actual or estimated motor temperature exceeds limit
	External fault & alarm	Rising or falling edge of digital input triggers alarm or fault
	Speed feedback monitor	Compares actual speed to speed measured by motor EMF
	Motor overspeed	Motor speed exceeds limit
	Current ripple	Amplitude of AC current component of DC armature current exceeds limit
	Input Voltage monitor	Line voltage above or below normal range
	Local control loss (panel loss)	Loss of signal from control panel while panel is speed reference
	Communication control loss	Loss of signal from fieldbus (e.g., Ethernet IP) while fieldbus is speed reference
	Environmental	Temperature
Cooling		Forced air
Enclosure		UL Type Open (IP00)
Altitude		Sea level to 3300 ft (1000m); up to 6600 ft (2000m) derate 1% per 330 ft (100m); up to 10,000 ft (3000m) contact ABB
Humidity		5% to 95% RH non-condensing down to 5°C; 5% to 50% RH non-condensing 0° to 5° C
Vibration		1.5mm @ 2 to 9 Hz, 0.5g @ 9 to 200 Hz
Shock		7 g / 22 msec
Digital Encoder	Encoder Voltage supply	5 VDC @ 250 mA max; 24 VDC @ 200 mA max (default is 5 VDC selected via S4 jumper)
	Encoder mode	Single ended or differential (default is differential selected via S4 jumper)
	Signal sensitivity	5 VDC or 12/24 VDC
	Maximum input frequency	300 kHz

Analog Inputs	AI1 & AI2 Voltage config	-10 VDC to +10 VDC, Input Resistance RI = 200 kOhms
	AI1 & AI2 current config	0 to 20 mA, Input Resistance RI = 250 Ohms
	AI3 & AI4 Voltage only	-10 VDC to +10 VDC, Input Resistance RI = 200 kOhms
	Analog tachometer	±8 to 30 VDC, ±30 to 90 VDC, ±90 to 270 VDC
	Common mode range	±15 V
	Resolution	15 bit + sign bit
	Input update time	AI1 & AI2 = 2.8 msec; AI3 & AI4 = 5 msec
Analog Outputs	Two (2) programmable Voltage	-10 VDC to +10 VDC, maximum load of 5 mA
	One (1) dedicated armature current output	4 VDC = 325% of rated motor current entered in Parm 99.03
	Resolution	11 bit + sign bit
	Output update time	5 msec
Digital Inputs	Eight (8) digital inputs	24 VDC, (-15%) to max of 48 VDC
	Logical switch thresholds	Below 7.3 VDC = status "0"; above 7.5 VDC = status "1"
	Input current	5 mA
	Filter time constant	2 msec
	Input update time	DI1 to DI6 = 5 msec, DI7 & DI8 = 2.8 msec
	Internal 24 VDC for digital inputs	24 VDC, 125 mA, short circuit proof; external 24 VDC allowed
Digital Outputs	Seven (7) Digital Outputs	Transistor for signal driving only
	Signal level	Status 1 = 22 VDC at no load
	Output updating time	2.8 msec
Relay Output	One (1) relay output	Normally open (NO) factory set for AC line contactor control
	Maximum switching current	3 A at 24 VDC or 115/230 VAC; 0.3 A at 120 VDC
	Isolation test voltage	4 kVAC, 1 minute
	Output updating time	2.8 msec

Reliance Electric® and FlexPak® 3000 are registered trademarks of Rockwell Automation, Inc.

DCS800-EP - Ratings & Pricing

DCS800-EP - 230V, 50/60Hz, 3-Phase UL Type Open

Type	Catalog Number	Frame	Horsepower	Input Current (Amps RMS)	Output Armature Current (Amps DC)	Output Field Current (Amps DC)	List Price	Mult. Sym.
Non-Reversing (2Q)	DCS800-EP1-0020-05+S235	A	5	16	20	6	5,450	EM
Non-Reversing (2Q)	DCS800-EP1-0045-05+S235	A	10	30	37	6	5,704	EM
Non-Reversing (2Q)	DCS800-EP1-0065-05+S235	A	15	44	54	6	6,141	EM
Non-Reversing (2Q)	DCS800-EP1-0090-05+S235	A	20	58	71	6	6,733	EM
Non-Reversing (2Q)	DCS800-EP1-0125-05+S235	A	30	85	104	6	7,114	EM
Non-Reversing (2Q)	DCS800-EP1-0180-05+S235	B	30	102	125	15	8,539	EM
Non-Reversing (2Q)	DCS800-EP1-0230-05+S235	B	60	168	206	15	9,950	EM
Non-Reversing (2Q)	DCS800-EP1-0315-05+S235	B	75	208	255	20	10,796	EM
Non-Reversing (2Q)	DCS800-EP1-0405-05+S235	C	100	278	341	20	16,721	EM
Non-Reversing (2Q)	DCS800-EP1-0470-05+S235	C	125	347	425	20	18,096	EM
Non-Reversing (2Q)	DCS800-EP1-0610-05+S235	C	150	413	506	25	19,340	EM
Reversing (4Q)	DCS800-EP2-0025-05+S235	A	5	16	20	6	6,155	EM
Reversing (4Q)	DCS800-EP2-0050-05+S235	A	10	30	37	6	6,409	EM
Reversing (4Q)	DCS800-EP2-0075-05+S235	A	15	44	54	6	6,846	EM
Reversing (4Q)	DCS800-EP2-0100-05+S235	A	20	58	71	6	7,580	EM
Reversing (4Q)	DCS800-EP2-0140-05+S235	A	30	85	104	6	7,961	EM
Reversing (4Q)	DCS800-EP2-0200-05+S235	B	50	143	175	15	10,655	EM
Reversing (4Q)	DCS800-EP2-0260-05+S235	B	60	168	206	15	11,078	EM
Reversing (4Q)	DCS800-EP2-0350-05+S235	B	75	208	255	20	11,924	EM
Reversing (4Q)	DCS800-EP2-0450-05+S235	C	100	278	341	20	20,335	EM
Reversing (4Q)	DCS800-EP2-0520-05+S235	C	125	347	425	20	22,170	EM
Reversing (4Q)	DCS800-EP2-0680-05+S235	C	150	413	506	25	25,967	EM

DCS800-EP - 460V, 50/60Hz, 3-Phase UL Type Open

Type	Catalog Number	Frame	Horsepower	Input Current (Amps RMS)	Output Armature Current (Amps DC)	Output Field Current (Amps DC)	List Price	Mult. Sym.
Non-Reversing (2Q)	DCS800-EP1-0020-05	A	10	14	17	6	5,375	EM
Non-Reversing (2Q)	DCS800-EP1-0045-05	A	20	29	35	6	5,629	EM
Non-Reversing (2Q)	DCS800-EP1-0065-05	A	30	43	53	6	6,066	EM
Non-Reversing (2Q)	DCS800-EP1-0090-05	A	40	55	68	6	6,658	EM
Non-Reversing (2Q)	DCS800-EP1-0125-05	A	60	85	104	6	7,039	EM
Non-Reversing (2Q)	DCS800-EP1-0180-05	B	75	102	125	15	8,464	EM
Non-Reversing (2Q)	DCS800-EP1-0230-05	B	125	167	205	15	9,875	EM
Non-Reversing (2Q)	DCS800-EP1-0315-05	B	150	200	245	20	10,721	EM
Non-Reversing (2Q)	DCS800-EP1-0405-05	C	200	265	325	20	16,646	EM
Non-Reversing (2Q)	DCS800-EP1-0470-05	C	250	330	405	20	18,021	EM
Non-Reversing (2Q)	DCS800-EP1-0610-05	C	300	392	480	25	19,265	EM
Non-Reversing (2Q)	DCS800-EP1-0740-05	D	400	522	640	25	25,561	EM
Non-Reversing (2Q)	DCS800-EP1-0900-05	D	500	649	795	25	27,213	EM
Reversing (4Q)	DCS800-EP2-0025-05	A	10	14	17	6	6,080	EM
Reversing (4Q)	DCS800-EP2-0050-05	A	20	29	35	6	6,334	EM
Reversing (4Q)	DCS800-EP2-0075-05	A	30	43	53	6	6,771	EM
Reversing (4Q)	DCS800-EP2-0100-05	A	40	55	68	6	7,505	EM
Reversing (4Q)	DCS800-EP2-0140-05	A	60	85	104	6	7,886	EM
Reversing (4Q)	DCS800-EP2-0200-05	B	100	134	164	15	10,580	EM
Reversing (4Q)	DCS800-EP2-0260-05	B	125	167	205	15	11,003	EM
Reversing (4Q)	DCS800-EP2-0350-05	B	150	200	245	20	11,849	EM
Reversing (4Q)	DCS800-EP2-0450-05	C	200	265	325	20	20,260	EM
Reversing (4Q)	DCS800-EP2-0520-05	C	250	330	405	20	22,095	EM
Reversing (4Q)	DCS800-EP2-0680-05	C	300	392	480	25	25,892	EM
Reversing (4Q)	DCS800-EP2-0820-05	D	400	522	640	25	35,899	EM
Reversing (4Q)	DCS800-EP2-1000-05	D	500	649	795	25	37,409	EM
Reversing (4Q)	DCS800-EP2-1010-05 (110% overload for 1 min)	D	600	775	950	25	40,290	EM

Note 1: All drives can supply 150% overload for 1 minute except as noted.

Note 2: The ratings apply at an ambient temperature of 40 °C (104 °F).

Note 3: 2Q drives CANNOT decelerate a load or power motors in the reverse direction.

Note 4: All DCS800-EP panel drives require a 1 to 5 pct. impedance line reactor or dedicated isolation transformer.

Definite Purpose Motors

Unit Handling Motors

Brake Motors

IEC Frame Motors

50 Hertz Motors

Inverter/Vector Motors & Controls

DC Motors and Controls

Gearmotors and Gear Products

Motor Accessories

Grinders

DCS800-EP Modifications

The modifications listed below can be ordered by adding the modification number to the end of the drive type code preceded by a plus sign. Example: DCS800-EP1-0020-05+E213+OF250. The modification codes should be listed in alphabetical order.

E213 Internal Line Reactor

AC line reactor mounted and wired in the DCS800-EP drive panel. 1.5% impedance at 480 VAC. Increases depth by 5.5 inches on B frame only. NOTICE: An AC Line reactor (1 to 5 pct. impedance) or dedicated isolation transformer is required for each DCS800-EP drive.

Frame	Drive Depth Without Reactor	Drive Depth With Reactor	List Price Per Drive	Mult. Sym.
A	14.4" (366mm)	14.4" (366mm)	See below	EM
B	13.8" (351mm)	19.3" (491)	See below	EM
C	-	-	Supplied By Others	EM
D	-	-	Supplied By Others	EM

F278 Circuit Breaker

ABB Tmax circuit breaker, mounted and wired. Breaker can be used as a disconnect and provide 300% instantaneous overload current protection.

OF250 Without AC Line Contactor

This modification deletes the AC line contactor. This allows for an existing DC motor contactor to be used instead. (Supplied by others.)

Non-Reversing	Reversing	Panel Frame	List Price Per Drive F278 Circuit Breaker	List Price Per Drive OF250 Without AC Contactor	List Price Per Drive E213 Internal Line Reactor	Mult. Sym.
DCS800-EP1-0020-05	DCS800-EP2-0025-05	A	863	(71)	593	EM
DCS800-EP1-0045-05	DCS800-EP2-0050-05	A	863	(99)	639	EM
DCS800-EP1-0065-05	DCS800-EP2-0075-05	A	863	(158)	670	EM
DCS800-EP1-0090-05	DCS800-EP2-0100-05	A	863	(190)	722	EM
DCS800-EP1-0125-05	DCS800-EP2-0140-05	A	1,007	(222)	1,273	EM
DCS800-EP1-0180-05	-	B	1,952	(262)	1,435	EM
-	DCS800-EP2-0200-05	B	1,952	(465)	1,993	EM
DCS800-EP1-0230-05	DCS800-EP2-0260-05	B	1,952	(465)	2,117	EM
DCS800-EP1-0315-05	DCS800-EP2-0350-05	B	2,978	(465)	2,117	EM
DCS800-EP1-0405-05	DCS800-EP2-0450-05	C	3,526	(973)	-	EM
DCS800-EP1-0470-05	DCS800-EP2-0520-05	C	5,684	(1,094)	-	EM
DCS800-EP1-0610-05	DCS800-EP2-0680-05	C	5,684	(1,094)	-	EM
DCS800-EP1-0740-05	DCS800-EP2-0820-05	D	7,081	(1,391)	-	EM
DCS800-EP1-0900-05	DCS800-EP2-1000-05	D	7,081	(1,609)	-	EM
-	DCS800-EP2-1010-05	D	10,580	(2,780)	-	EM

M6 Blower motor starter

For control of the blower used to cool the DC motor. Includes contactor, thermal overload relay and fusing. Select the rating based on the current rating of the blower motor.

Frame	Modification Number	Overload Rated Amps - Minimum	Overload Rated Amps - Maximum	List Price Per Drive	Mult. Sym.
A or B	M635	1.0	1.3	619	EM
A or B	M636	1.3	1.7	619	EM
A or B	M637	1.7	2.3	619	EM
A or B	M638	2.3	3.1	619	EM
A or B	M639	3.1	4.2	619	EM
A or B	M640	4.2	5.7	619	EM
A or B	M641	5.7	7.6	619	EM
C or D	M611	1.3	1.8	746	EM
C or D	M612	1.7	2.1	746	EM
C or D	M613	2.2	3.1	746	EM
C or D	M614	2.8	4.0	746	EM
C or D	M615	3.5	5.0	746	EM
C or D	M616	4.5	6.5	746	EM
C or D	M617	6.0	8.5	746	EM
C or D	M618	7.5	11.0	746	EM
C or D	M619	10.0	14.0	746	EM
C or D	M620	13.0	19.0	746	EM
C or D	M621	18.0	25.0	746	EM
C or D	M622	24.0	32.0	746	EM
C or D	M623	29.0	42.0	746	EM

DCS800-EP Modifications Continued

S235

230 VAC Supply

This modification adjusts the panel drive to operate from a 230 VAC 3 phase power source.

Frame	List Price Per Drive	Mult. Sym.
A	75	EM
B	75	EM
C	75	EM
D	Not Available	EM

DCS800-EP Option Kits

Catalog Number	Name		List Price	Mult. Sym.
230 VAC Supply	230 VAC conversion kit	This field kit will allow you to convert a DCS800-EP frame A, B, or C panel drive to operate from a 3-phase 230 VAC power source. Not available for frame D. NOTE: If ordering with a drive, use modification code +S235 instead	75	EM
AIMA-01	I/O Extension Adapter	The I/O extension adapter adds support for 3 additional (R) type adapters for the DCS800. This module is mounted by the user external from the drive unit. Adapter is DIN rail mountable. The SDCS-COM-8x is required for support of this option.	730	EM
DCF803-0016	External field supply – 16 Adc	Externally mounted, half controlled 1-phase or 3-phase field exciter with single quadrant operation – 16 Adc. Requires input line reactor, DSL communication cable and SDCS-DSL-4 module.	1,073	EM
DCF803-0035	External field supply – 35 Adc	Externally mounted, half controlled 1-phase or 3-phase field exciter with single quadrant operation - 35 Adc. Requires input line reactor, DSL communication cable and SDCS-DSL-4 module.	1,633	EM
DCF803-0050	External field supply – 50 Adc	Externally mounted, half controlled 1-phase field exciter with single quadrant operation – 50 Adc. Requires DSL communication cable and SDCS-DSL-4 module.	2,226	EM
DCF803-0060	External field supply – 60 Adc	Externally mounted, half controlled 1-phase field exciter with single quadrant operation – 60 Adc. Requires DSL communication cable and SDCS-DSL-4 module.	2,669	EM
DCF804-0050	External field supply for field reversal – 50 Adc	Externally mounted, half controlled 1-phase field exciter with four quadrant operation – 50 Adc. Requires DSL communication cable and SDCS-DSL-4 module.	2,602	EM
DCF804-0060	External field supply for field reversal – 60 Adc	Externally mounted, half controlled 1-phase field exciter with four quadrant operation – 60 Adc. Requires DSL communication cable and SDCS-DSL-4 module.	3,112	EM
DCS800 Democase	Demo Case	Powered by 115 VAC, the DCS800 Democase includes a DCS800 frame D1 drive mounted in a traveling case with wheels and handles. Includes a motor with analog tachometer and SDCS-COM-81 module.	5,795	EM
DCS800 Democase Light	Demo Case Light	This unit is a DCS800 DC drive controller mounted inside a compact brief case. It is light and easy to carry and can demonstrate most of the features of the DC drive, including: <ul style="list-style-type: none"> • Simulated speed feedback • Interface with Drive Window and Drive Window Light • Adaptive programming • Control panel assistants • Fieldbus interface • Start up assistant (except autotune) 	2,590	EM
DCS800-DSL, Cable P5M	DSL Communication Cable, 0.5M	Network cable for communication from DCS800 to an external field power supply or another DCS800 drive. DSL-4 board is required. 0.5m length.	140	EM
DCS800-DSL, Cable 2M	DSL Communication Cable, 2M	Network cable for communication from DCS800 to an external field power supply or another DCS800 drive. DSL-4 board is required. 2m length.	140	EM
DCS800-DSL, Cable 4M	DSL Communication Cable, 4M	Network cable for communication from DCS800 to an external field power supply or another DCS800 drive. DSL-4 board is required. 4m length.	175	EM
DCS800-DSL, Cable 10M	DSL Communication Cable, 10M	Network cable for communication from DCS800 to an external field power supply or another DCS800 drive. DSL-4 board is required. 10m length.	222	EM
DCS800-DSL, Cable 20M	DSL Communication Cable, 20M	Network cable for communication from DCS800 to an external field power supply or another DCS800 drive. DSL-4 board is required. 20m length.	280	EM
DCS-CP-EP	Control Panel	DCS800-EP Control Panel – included with every drive	230	EM
FEA-01	Resolver interface adapter	Required for use of the FEN-21 resolver interface module	465	ES
FEN-21	Resolver interface module	The FEN-21 resolver interface module offers an improved speed feedback signal compared to the RRIA-01. It should be selected for all applications that require speed feedback from the resolver. The FEA-01 DIN-rail extension adapter is required for mounting the FEN-21 to your panel. FEA-01 converts the signal to fiber optics which is connected to channel 1 of the DCS800's COM-8x board. ALSO REQUIRED: FEA-01, fiber optic cable; SDCS-COM-8x; (24 VDC power supplied by others).	465	ES

DCS800-EP Option Kits Continued

Catalog Number	Name		List Price	Mult. Sym.
FO NLWC-02	Single plastic fiber optic, Qty 2, 2m	Plastic fiber optic for DDCS communications. Requires SDCS-COM-81 or SDCS-COM-82 communication module. Set of two single conductors, 2m length.	91	EM
FO NLWC-03	Single plastic fiber optic, Qty 2, 3m	Plastic fiber optic for DDCS communications. Requires SDCS-COM-81 or SDCS-COM-82 communication module. Set of two single conductors, 3m length.	117	EM
FO NLWC-05	Single plastic fiber optic, Qty 2, 5m	Plastic fiber optic for DDCS communications. Requires SDCS-COM-81 or SDCS-COM-82 communication module. Set of two single conductors, 5m length.	140	EM
FO NLWC-07	Single plastic fiber optic, Qty 2, 7m	Plastic fiber optic for DDCS communications. Requires SDCS-COM-81 or SDCS-COM-82 communication module. Set of two single conductors, 7m length.	163	EM
FO NLWC-10	Single plastic fiber optic, Qty 2, 10m	Plastic fiber optic for DDCS communications. Requires SDCS-COM-81 or SDCS-COM-82 communication module. Set of two single conductors, 10m length.	208	EM
FO Twin Fiber Opt. CA 0,5 M	Double plastic fiber optic, Qty 1, 0.5m	Plastic fiber optic for DDCS communications. Requires SDCS-COM-81 or SDCS-COM-82 communication module. Double conductor, 0.5m length.	140	EM
FO Twin Fiber Opt. CA 2,0 M	Double plastic fiber optic, Qty 1, 2m	Plastic fiber optic for DDCS communications. Requires SDCS-COM-81 or SDCS-COM-82 communication module. Double conductor, 2m length.	172	EM
FO Twin Fiber Opt. CA 5,0 M	Double plastic fiber optic, Qty 1, 5m	Plastic fiber optic for DDCS communications. Requires SDCS-COM-81 or SDCS-COM-82 communication module. Double conductor, 5m length.	241	EM
FO Twin Fiber Opt. CA 10 M	Double plastic fiber optic, Qty 1, 10m	Plastic fiber optic for DDCS communications. Requires SDCS-COM-81 or SDCS-COM-82 communication module. Double conductor, 10m length.	289	EM
NETA-01	Internet adapter	The NETA-01 Ethernet Adapter module is an optional device for browser-based remote monitoring of ABB drives via Ethernet. Multiple drives (up to 9) can be connected to the network through the DDCS Branching Unit (NDBU-85/95) or using ring topology with the NETA-01 Ethernet Adapter module.	1,550	EM
OPMP-01	Panel mounting platform	Control Panel Mounting Platform allows remote mounting of the DCS800-CP-P on an enclosure or remote panel. The kit maintains UL Type 12 integrity of the mounting location. Adapters, 3 m (10 ft) cable and mounting hardware are included in this kit. With this mounting arrangement, the keypad is removable from the panel in a fashion identical to a drive-mounted keypad	138	ES
RAIO-01	Analog I/O extension	The Analog I/O Extension module offers two unipolar current (0[4]...20 mA) or bipolar voltage ($\pm 0[2]$...10 V or ± 0 ...2 V) inputs and two unipolar current (0[4]-20 mA) outputs. Analog unipolar inputs are 12 bit resolution. Bipolar inputs are 11 bit resolution. Analog outputs are 12 bit resolution. The analog inputs and outputs are galvanically isolated as a group, from each other and the power supply.	465	ES
RCAN-01	Canbus adapter	The RCAN-01 CANopen adapter module enables the connection of the ABB drive to a CANopen system. CANopen is a higher level protocol based on the CAN (Control Area Network) serial bus system and the CAL (CAN Application Layer). The RCAN-01 fulfills CiA (CAN in Application) standard DSP-402 (Drives and Motion Control), supporting the "Manufacturer Specific" operating mode only. The physical medium of CANopen is a differentially drive two-wire bus line with common return according to ISO 11989. The RCAN-01 supports baud rates of 10 kbits/s to 1 Mbits/s. The module provides DIP-switches for selection of the node number and baud rate. The node number and baud rate can alternatively be set via the control panel of the drive.	595	ES
RCNA-01	ControlNet adapter	The ControlNet network uses a RG-6 quad shielded cable or fiber with support for media redundancy. The RCNA-01 adapter module supports only RG-6 quad shielded cable (coax) for the bus connection. ControlNet is flexible in topology options (bus, tree, star) to meet various application needs. The fieldbus speed is 5 Mbits/s. The RCNA-01 ControlNet Adapter module can not originate connections on its own, but a scanner node can open a connection towards it. The ControlNet protocol is implemented according to the ControlNet international specification for a Communication adapter.	595	ES
RDIO-01	Digital I/O Extension	RECOMMENDED FOR FLEXPAC 3000 REPLACEMENTS. The Digital I/O Extension module offers three digital inputs (24...250 VDC or 110...230 VAC) and two relay outputs (1250 VA/250 VAC or 5 A/24 VDC). The isolation voltage between the digital inputs, digital outputs and power supply is 2.5 kV (1.5 kV between DI2 and DI3).	465	EM
RDNA-01	DeviceNet adapter	The DeviceNet network uses a linear bus topology. Terminating resistors are required on each end of the trunk line. Drop lines as long as 6 meters (20 feet) each are permitted, allowing one or more nodes to be attached. DeviceNet allows branching structures only on drop lines.	465	ES
RECA-01	EtherCAT adapter	The adapter module supports the CANopen DSP 402 (Device Profile Drives and Motion Control) profile or the ABB Drives profile. The RECA-01 implements the EtherCAT state machine, four sync manager channels to control the access to the application memory, two watch dogs and specified EtherCAT services, addressing modes and FMMUs.	525	ES

Definite Purpose Motors

Unit Handling Motors

Brake Motors

IEC Frame Motors

50 Hertz Motors

Inverter/Vector Motors & Controls

DC Motors and Controls

Gearmotors and Gear Products

Motor Accessories

Grinders

DCS800-EP Option Kits Continued

Catalog Number	Name		List Price	Mult. Sym.
RETA-01	Ethernet adapter	The RETA-01 module supports the Modbus/TCP and EtherNet/IP network protocols. Modbus/TCP is a variant of the Modbus family of simple, vendor neutral communication protocols intended for supervision and control of automation equipment. EtherNet/IP is based on the Common Industrial Protocol (CIP), which is also the framework for both the ControlNet and DeviceNet networks. The RETA-01 supports 10/100 Mbps transfer rate with network connection made with standard RJ-45 connectors.	465	ES
RETA-02	PROFINET IO adapter	The RETA-02 module supports both Modbus/TCP and PROFINET IO network protocols. Modbus/TCP is a variant of the Modbus family of simple, vendor neutral communication protocols intended for supervision and control of automation equipment. PROFINET IO is an open standard for industrial ethernet, intended for configuration, supervision and control of automation equipment. The RETA-02 supports 10/100 Mbps transfer rate with network connections made with CAT 5 wiring and RJ-45 connectors. Both star and bus topology options are supported.	465	EM
RMBA-01	Modbus RTU adapter	ModBus is a serial, asynchronous protocol. The ModBus protocol does not specify the physical interface. Typical physical interfaces are RS-232 and RS-485. The RMBA-01 provides a galvanically isolated RS-485 interface. ModBus is designed for integration with Modicon PLCs or other automation devices, and the services closely correspond to the PLC architecture. The RMBA-01 supports the RTU protocol only.	465	EM
RPBA-01	Profibus DP adapter	Profibus is an open serial communication standard that enables data exchange between automation components. The transmission medium of the bus is a twisted pair cable (according to RS-485 standard). The maximum length of the bus cable is 100 to 1200 meters, depending on the transmission rate. Up to 31 stations can be connected to the same PROFIBUS system without use of repeaters.	465	ES
RRIA-01	Resolver interface adapter	The RRIA-01 resolver interface module offers interface for an analog resolver connection. A resolver may be used to obtain accurate speed and position (angle) feedback from a motor shaft. MUST USE FIRMWARE REVISION 3.6 OR ABOVE.	465	EM
RSCM-01	Resolver signal conditioning module	The resolver signal conditioning (RSCM-01) board modifies the voltage of the signal sent to the resolver (R1, R2), which modifies the voltage of the signals coming back (S1, S3, S2, S4). The switch can be set to one of two positions so the return signals are set to the level that is within the voltage range of the RRIA interface board (1.4 – 4.0 Vrms; 2.0 – 5.6 Volts, peak-to-peak).	210	EM
RTAC-01	15 or 24 VDC encoder	The Pulse Encoder Interface module offers a differential or single ended interface for a digital pulse encoder. The module is capable of operating from either a 15 or 24 VDC signal with a max frequency of 200 kHz. When the drive's internal power supply is used to power the encoder, additional options may not be installed. Check the encoder's power supply requirements prior to installation.	465	EM
RTAC-03	24 VDC TTL encoder	TTL incremental Pulse Encoder Interface module. The module is capable of operating at 24 VDC with a max frequency of 200 kHz.	465	EM
RUSB	DriveWindow with USB Hardware	DriveWindow is software designed for online DCS800 drive commissioning and maintenance. Connection to the drive is from the PC's USB port through high speed fiber optic cable. The drive requires an optional SDCS-COM-8x module to support the fiber optic connection. DriveWindow supports Microsoft Windows operating systems (Windows NT4, 2000, XP, Vista & 7). <ul style="list-style-type: none"> – Parameter editing and monitoring – Upload/download drive parameter files, save and copy – Compare files – Trending up to six signals – Drive Control for commissioning and test – OPC remote access Includes: DriveWindow install CD; USB to DDCS converter; fiber optic cable (10m)	1,944	EM
SDCS-COM-81	Fiber optic interface adapter – STANDARD	STANDARD fiber optic communication interface board <ul style="list-style-type: none"> • CH 0 – 10Mb – overriding system control (APC2, AC80, etc.) • CH 1 – 5Mb – is used for DDCS I/O extension. AIMA-01 • CH 2 – 10Mb – Master -Follower link (drive to drive) • CH 3 – 10Mb – PC tool such as DriveWindow 	768	EM
SDCS-COM-82	Fiber optic interface adapter – NETA only	Fiber optic communication interface board; USED ONLY IN COMBINATION WITH THE NETA-01 <ul style="list-style-type: none"> • CH 0 – 5Mb – overriding system control (APC2, AC80, Nxxx module) • CH 1 – 5Mb – is used for DDCS I/O extension. AIMA-01 • CH 2 – 10Mb – Master -Follower link (drive to drive) • CH 3 – 10Mb – PC tool such as DriveWindow 	768	EM
SDCS-DSL-4	DCS Link	DCS-LINK drive-to-drive communication board dedicated to the DCS800, based on CAN bus. This communication adapter is used in 12-pulse operation and communication / control of external field supplies (e.g., DCF803-0035, etc.). This board is standard in all D5-D7 frames and all frames rated 600vdc or greater.	234	EM

Definite Purpose Motors

Unit Handling Motors

Brake Motors

IEC Frame Motors

50 Hertz Motors

Inverter/Vector Motors & Controls

DC Motors and Controls

Gearmotors and Gear Products

Motor Accessories

Grinders

DCS800-EP Option Kits Continued

Catalog Number	Name		List Price	Mult. Sym.
SDCS-IOB-21	Digital input/output module – 24 VDC	Includes IOB-21 module and one ribbon cable. Replaces the standard digital inputs and outputs with 8 DI/O points externally mounted with input voltage level of 24...48V DC. The inputs are filtered and galvanically isolated. Terminals X6 & X7 on the main control must not be used when a SDCS-IOB-2x board is installed. Note: If IOB-3 is also required, you must order the combination kit instead. (See below.)	729	EM
SDCS-IOB-22	Digital input/output module – 115 VAC	Includes IOB-22 module and one ribbon cable. Replaces the standard digital inputs and outputs with 8 DI/O points externally mounted with input voltage level of 115 VAC. The inputs are filtered and galvanically isolated. Terminals X6 & X7 on the main control must not be used when a SDCS-IOB-2x board is installed. Note: If IOB-3 is also required, you must order the combination kit instead. (See below.)	729	EM
SDCS-IOB-23	Digital input/output module – 230 VAC	Includes IOB-23 module and one ribbon cable. Replaces the standard digital inputs and outputs with 8 DI/O points externally mounted with input voltage level of 230 VAC. The inputs are filtered and galvanically isolated. Terminals X6 & X7 on the main control must not be used when a SDCS-IOB-2x board is installed. Note: If IOB-3 is also required, you must order the combination kit instead. (See below.)	729	EM
SDCS-IOB-21 / IOB-3	IOB-21 Combination Kit	Kit includes (1) SDCS-IOB-21 module; (1) SDCS-IOB-3 module; set of (3) cables. Please see related descriptions above for specific features.	1,480	EM
SDCS-IOB-22 / IOB-3	IOB-22 Combination Kit	Kit includes (1) SDCS-IOB-22 module; (1) SDCS-IOB-3 module; set of (3) cables. Please see related descriptions above for specific features.	1,480	EM
SDCS-IOB-23 / IOB-3	IOB-23 Combination Kit	Kit includes (1) SDCS-IOB-23 module; (1) SDCS-IOB-3 module; set of (3) cables. Please see related descriptions above for specific features.	1,480	EM
SDCS-IOB-3	Analog and encoder input/output module	IMPORTANT: FOR STANDALONE IOB-3 MODULE ONLY. Includes IOB-3 and two ribbon cables. This module includes 5 analog inputs; 3 analog outputs; galvanically isolated pulse encoder interface; a current source for temperature measuring devices. If IOB-21, -22 or -23 is also required, order combination kit so as to receive the correct set of cables.	773	EM
SDCS-IOB Card Holder	Card Holder for SDCS-IOB-2x and SDCS-IOB-3	This card holder is used to mount the IOB-2x or IOB-3 board to a back panel. With universal Phoenix clamp 1202713, it is possible to mount the card holder to a standard DIN-rail system horizontally or vertically. Includes (6) clamps to attach the flat cables to the card holder. NOTE: Without this card holder, modules can be mounted to the back panel by using stand-offs.	225	EM
SDCS-SUB-4	Low mains voltage adapter	Adapts the drive to operate with mains voltage between 30 and 120 VDC. SUB-4 board alters the voltage measurement circuit of the drive to improve mains synchronization and DC measurement resolution. Plugs into existing PIN-4 board. (For D1 - D4 only.)	442	EM
SDCS-UCM-1	External DC Voltage measurement kit	Allows drive frame sizes D1 - D4 to measure the DC motor voltage externally (e.g., "at the motor") instead of at the drive terminals. This, for example, might be beneficial when a DC contactor is in use. Includes a modified SDCS-SUB-4 board.	524	EM
SECG-01	Ethernet to ControlNet Gateway	SECG-01 (EtherNet/IP to ControlNet) – will allow a DriveBrowser user to connect a PC's Ethernet port to drives on a ControlNet networks.	3,995	ES
SEDG-01	Ethernet to DeviceNet Gateway	SEDG-01 (EtherNet/IP to DeviceNet) – will allow a DriveBrowser user to connect a PC's Ethernet port to drives on a DeviceNet networks	3,995	ES
Terminal Shield (D1-D2)	Terminal shield – A to B	For DCS800-EP1-0020 to DCS800-EP2-0260, this safety terminal shield protects against accidental contact with the AC and DC terminals at the base of the drive. See Hardware Manual "Mechanical Installation" for details. (One shield per drive.)	74	EM
Terminal Shield (D3)	Terminal shield – B to C	Safety terminal shield for DCS800-EP1-0315 to DCS800-EP2-0520. One shield per drive.	111	EM
Terminal Shield (D4)	Terminal shield – C to D	Safety terminal shield for DCS800-EP1-0610 to DCS800-EP2-1010. One shield per drive.	137	EM

Definite Purpose Motors

Unit Handling Motors

Brake Motors

IEC Frame Motors

50 Hertz Motors

Inverter/Vector Motors & Controls

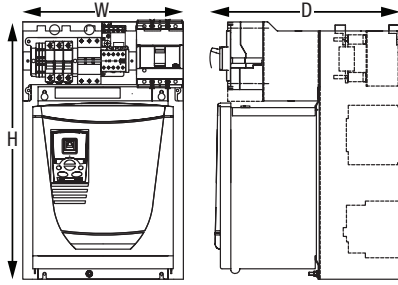
DC Motors and Controls

Gearmotors and Gear Products

Motor Accessories

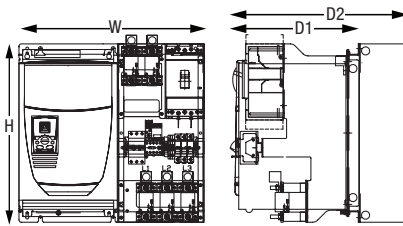
Grinders

DCS800-EP Dimensions



DCS800 – 10-60 Hp Frame A

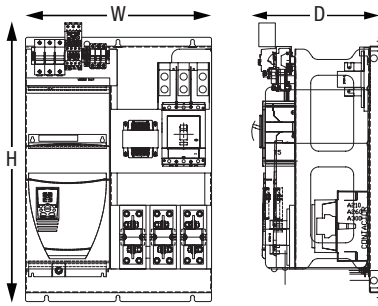
Frame Size	Hp		Height		Width		Depth		Weight			
	(230V)	(460V)	(in)	(mm)	(in)	(mm)	(in)	(mm)	w/o Reactor		w/Reactor	
									(lbs)	(kg)	(lbs)	(kg)
A	5	10	18.79	477	12.15	309	14.40	366	54	25	61	28
	10	20	18.79	477	12.15	309	14.40	366	57	26	65	30
	15	30	18.79	477	12.15	309	14.40	366	59	27	67	30
	20	40	18.79	477	12.15	309	14.40	366	62	28	73	33
	30	60	18.79	477	12.15	309	14.40	366	62	28	88	40



DCS800 – 75-150 Hp Frame B

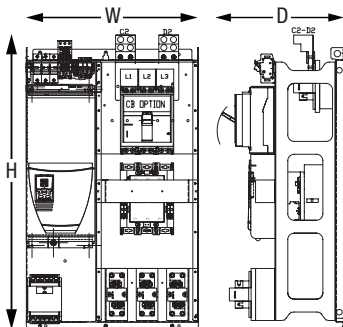
Frame Size	Hp		Height		Width		Depth D1		Weight			
	(230V)	(460V)	(in)	(mm)	(in)	(mm)	(in)	(mm)	w/o Reactor		w/Reactor	
									(lbs)	(kg)	(lbs)	(kg)
B	30-50	75-100	19.29	490	20.00	508	13.82"	351	103	47	157	71
	60	125	19.29	490	20.00	508	13.82"	351	103	47	163	74
	75	150	19.29	490	20.00	508	13.82"	351	130	59	185	84

*19.32 inch (491mm) depth D2 when internal reactor option is included.



DCS800 – 200-300 Hp Frame C

Frame Size	Hp		Height		Width		Depth		Weight	
	(230V)	(460V)	(in)	(mm)	(in)	(mm)	(in)	(mm)	(lbs)	(kg)
C	100	200	35.32	897	23.58	599	16.17	411	231	105
	125	250	35.32	897	23.58	599	16.17	411	231	105
	150	300	35.32	897	23.58	599	16.17	411	260	118



DCS800 – 400-600 Hp Frame D

Frame Size	Hp		Height		Width		Depth D1		Depth D2		Weight	
	(230V)	(460V)	(in)	(mm)	(in)	(mm)	w/o Circuit Breaker		w/ Circuit Breaker		w/o Reactor	
							(in)	(mm)	(in)	(mm)	(lbs)	(kg)
D	NA	400	45.66	1160	26.68	678	16.00	406	19.65	499	355	161
	NA	500	45.66	1160	26.68	678	16.00	406	19.65	499	355	161
	NA	600	45.66	1160	26.68	678	16.00	406	19.65	499	355	161

Baldor•Reliance gearmotors are designed and built to withstand rugged industrial applications with precision matched motor and gear ratios for optimized performance, ensuring adequate power and torque are provided for the application. Each gearmotor is factory filled with synthetic oil, and lubricated for life for maximum efficiency and reduced maintenance.



Key Features:

- Industry standard dimensions for fast and easy installation
- Non-vented gear housings prevents lubrication contamination and allows for flexible mounting
- Designed for low maintenance and a long service life
- Engineered for optimal torque transmission and performance

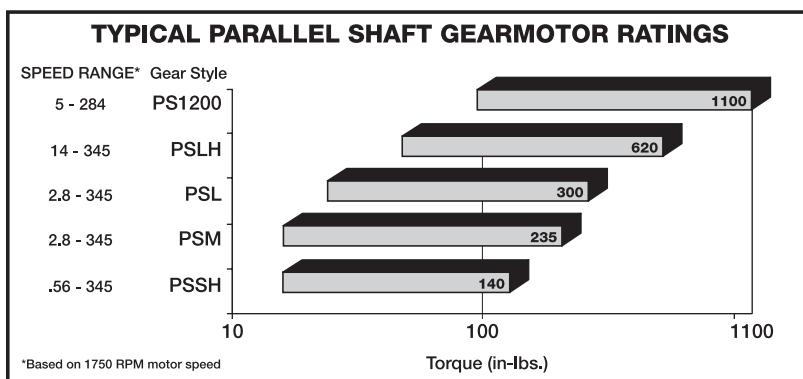
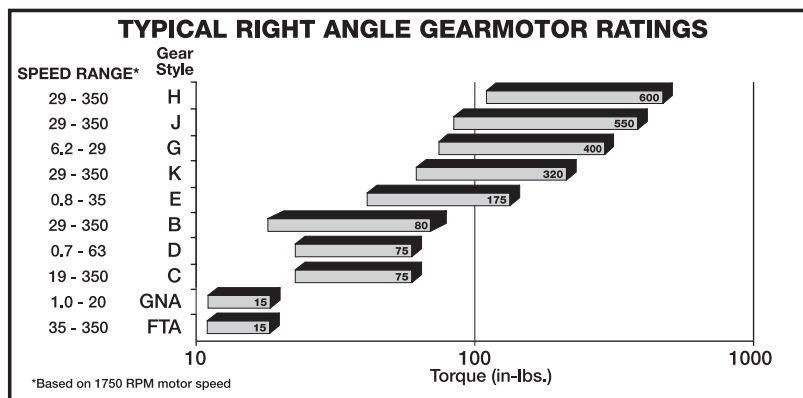
Applications:

- Material handling equipment
- Packaging machinery
- Medical and laboratory equipment
- Auger drive
- Farm equipment
- Printing presses
- Machine tool

1/4 - 250 Horsepower

Gearmotors	Electrical Features	
	Parallel Shaft	Right Angle
1.0 Service Factor – Continuous	S	S
Class F insulation	S	S
UL Component Recognized	S	S
Mechanical Features	Induction hardened helical and spur gears	S
	Ball and needle bearing construction	S
	Non-vented gear housings	S
	Food grade lubricant	-
	Internal oil expansion bladder	-
	High strength bronze gearing with precision ground worm	-

S = Standard





Features:

- Compact bronze sleeve bearings for long maintenance free operation
- Bronze gearing with hardened and precision ground worm for smooth torque transmission
- Permanently lubricated with synthetic grease for long service life

Fixed Speed AC

Output RPM 50/60 Hz.	Max. Safe Torque In. lbs.	Input Hp	Ratio:1	OHL (lbs)	Catalog Number	List Price	Mult. Sym.	Ap'x. Shpg. Wgt.	Motor Type & Gear Style	Enclosure	Voltage	Notes (a)	Drawing Number
Single Phase - Permanent Split Capacitor													
59/71	7.5	1/50	24	1.3	GC24003	406	DS	7	2412C-FTA	TENV	115	19	1

Variable Speed AC

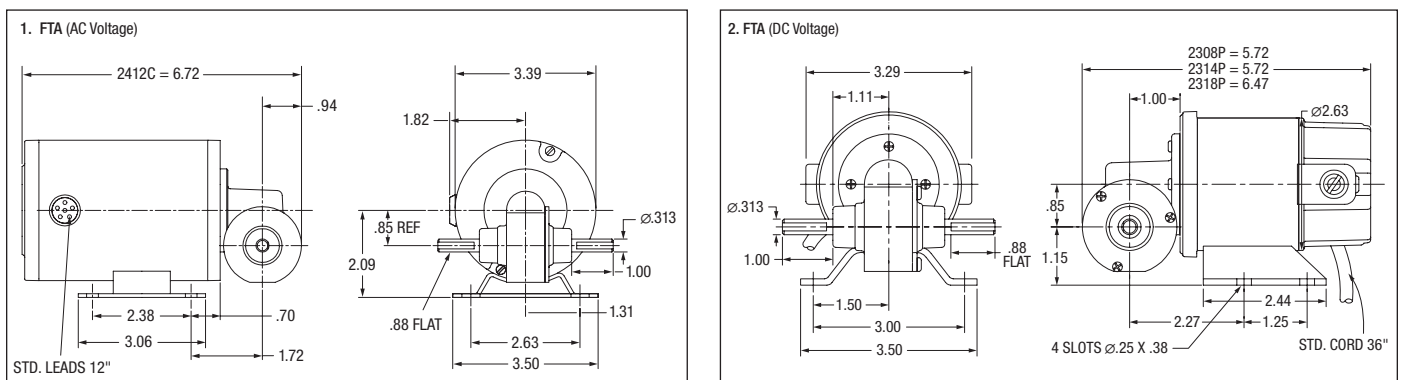
Output RPM 50/60 Hz.	Max. Safe Torque In. lbs.	Speed Range (CT)	Input Hp	Ratio:1	OHL (lbs)	Catalog Number	List Price	Mult. Sym.	Ap'x. Shpg. Wgt.	Motor Type & Gear Style	Voltage	Notes (a)	Drawing Number
Three Phase - Inverter Duty													
85	13	28 - 128	1/25	20	1.3	IDGM2401	505	E2	7	2416M-FTA	230	77	3
170	9	57 - 255	1/25	10	1.3	IDGM2402	505	E2	7	2416M-FTA	230	77	3
340	5	113 - 510	1/25	5	1.3	IDGM2403	505	E2	7	2416M-FTA	230	77	3

Permanent Magnet DC

Output RPM 50/60 Hz.	Max. Safe Torque In. lbs.	Input Hp	Ratio:1	OHL (lbs)	Catalog Number	List Price	Mult. Sym.	Ap'x. Shpg. Wgt.	Motor Type & Gear Style	Voltage D.C. Armature	Voltage	Notes (a)	Drawing Number
90 VDC													
87	7.5	1/50	20	1.3	GP231003	407	DS	5	2308P-FTA	90	0.34		2
140	11	1/25	12	1.3	GP231002	439	DS	5	2314P-FTA	90	0.54		2
312	6	1/17	8	1.3	GP231001	439	DS	5	2314P-FTA	90	0.62		2
344	5.1	1/25	5	1.3	GP232001	439	DS	5	2314P-FTA	90	0.49		2

(a) See notes on inside back flap.

ATTENTION: Additional ratios, voltages, and ratings are available. Application specific modifications are common, such as custom shaft dimensions, addition of brakes or encoders, specific power cords, and washdown features. Contact your local Baldor representative for assistance.





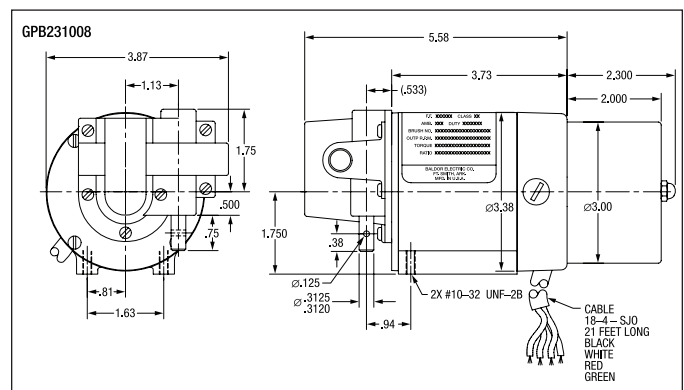
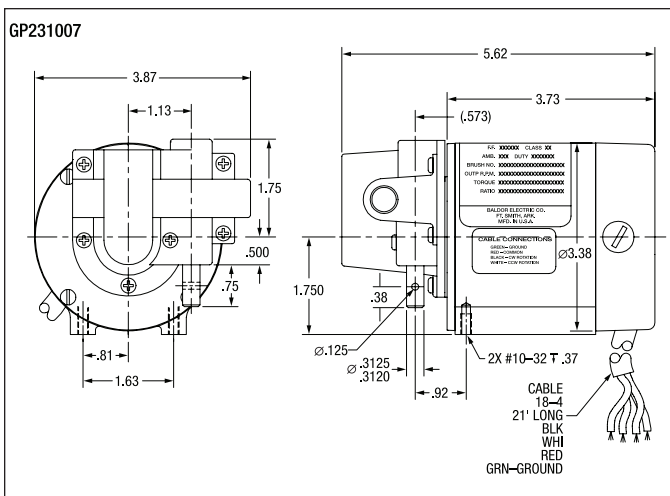
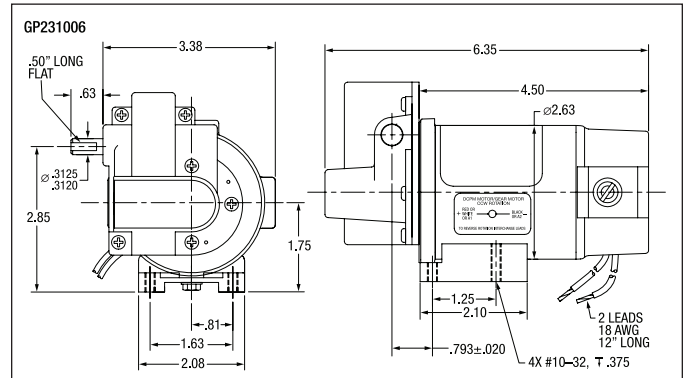
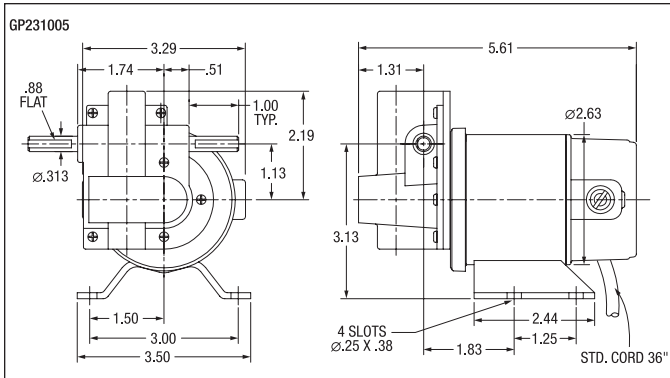
GP231005 Shown
GNA Style

Permanent Magnet DC

Output RPM 50/60 Hz.	Max. Safe Torque In. lbs.	Input Hp	Ratio:1	OHL (lbs)	Catalog Number	List Price	Mult. Sym.	Ap'x. Shpg. Wgt.	Motor Type & Gear Style	Armature Voltage	Full Load Amperage Armature	Notes (a)
90 VDC												
8	15	1/97	225	1.3	GP231005	427	DS	5	2308P-GNA	90	0.19	
115 VDC												
2	15	1/30	1200	1.3	GP231006	438	DS	8	2314P-GNA	115	0.12	
115 VAC Wound Field												
50	10	1/28	132	1.3	GP231007	684	DS	5	2308D-GNA	115	0.92	
115 VAC Wound Field with Brake												
60	10	1/28	132	1.3	GPB231008	722	DS	10	2308D-GNA	115	0.86	

(a) See notes on inside back flap.

ATTENTION: Additional ratios, voltages, and ratings are available. Application specific modifications are common, such as custom shaft dimensions, addition of brakes or encoders, specific power cords, and washdown features. Contact your local Baldor representative for assistance.



Definite Purpose Motors

Unit Handling Motors

Brake Motors

IEC Frame Motors

50 Hertz Motors

Inverter/Vector Motors & Controls

DC Motors and Controls

Gearmotors and Gear Products

Motor Accessories

Grinders



Features:

- Double reduction worm gearing delivers high torque in a compact package
- Internal oil expansion bladder improves seal life and oil retention
- Integral mounting feet for ease of installation
- Bronze gearing with hardened and precision ground worm form smooth torque transmission
- Permanently lubricated with synthetic grease for long service life

Fixed Speed AC

Output RPM 50/60 Hz.	Max. Safe Torque In. lbs.	Input Hp	Ratio:1	OHL (lbs)	Catalog Number (a)	List Price	Mult. Sym.	Ap'x. Shpg. Wgt.	Motor Type & Gear Style	Enclosure	Voltage	Notes (b)	Drawing Number
Single Phase - Permanent Split Capacitor													
12/14	40	1/40	117	60	GC24208	540	DS	10	2412C-DB	TENV	115	19,78	1

Variable Speed AC

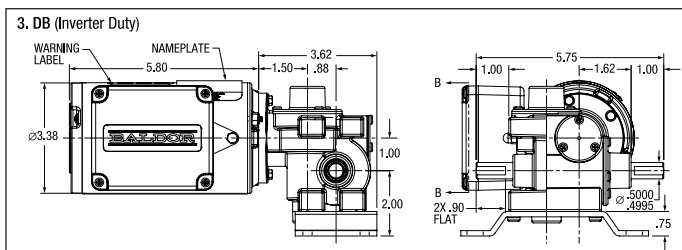
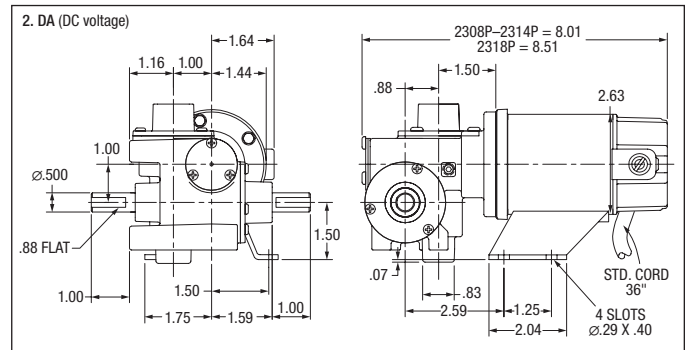
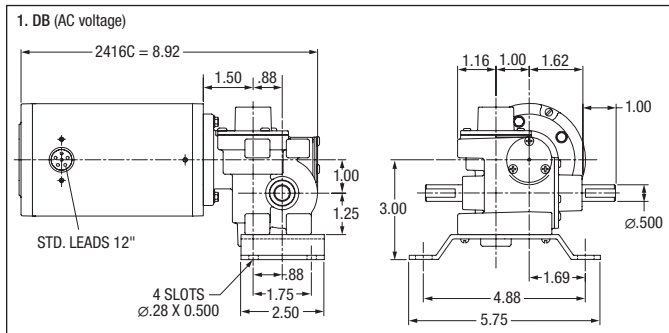
Output RPM 50/60 Hz.	Max. Safe Torque In. lbs.	Speed Range (CT)	Input Hp	Ratio:1	OHL (lbs)	Catalog Number (a)	List Price	Mult. Sym.	Ap'x. Shpg. Wgt.	Motor Type & Gear Style	Voltage	Notes (b)	Drawing Number
Three Phase - Inverter Duty													
5	75	2 - 8	1/20	310	60	IDGM2301	660	E2	10	2416M-DB	230	77	1
18	75	6 - 27	1/20	90	60	IDGM2302	660	E2	10	2416M-DB	230	77	1

Permanent Magnet DC

Output RPM 50/60 Hz.	Max. Safe Torque In. lbs.	Input Hp	Ratio:1	OHL (lbs)	Catalog Number (a)	List Price	Mult. Sym.	Ap'x. Shpg. Wgt.	Motor Type & Gear Style	Voltage D.C. Armature	Voltage	Notes (b)	Drawing Number
90 VDC													
2	75	1/66	1100	60	GP232004	606	DS	7	2308P-DA	90	0.18		2
4	75	1/49	660	60	GP232005	606	DS	7	2308P-DA	90	0.34		2
9	66	1/27	310	60	GP232006	606	DS	7	2314P-DA	90	0.44		2
20	64	1/15	130	60	GP232007	632	DS	7	2314P-DA	90	0.68		2
180 VDC													
2	75	1/83	1100	60	GP233020	632	DS	7	2314P-DA	180	.11		2
4	75	1/31	660	60	GP233029	632	DS	7	2314P-DA	180	.20		2
9	66	1/22	310	60	GP233028	632	DS	7	2314P-DA	180	.26		2
20	64	1/20	130	60	GP233027	660	DS	7	2314P-DA	180	.31		2

(a) Vertical motor below gearhead not recommended. Avoiding those positions where the high speed oil seal is immersed in oil, will provide greater security against high speed input seal wear. (b) See notes on inside back flap.

ATTENTION: Additional ratios, voltages, and ratings are available. Application specific modifications are the common, such as custom shaft dimensions, addition of brakes or encoders, specific power cords, and washdown features. Contact your local Baldor representative for assistance.





GC24314 Shown
EB Style

GP7429
Shown

Features:

- Double reduction worm gearing delivers high torque in a compact package
- Internal oil expansion bladder improves seal life and oil retention
- Integral mounting feet for ease of installation
- Bronze gearing with hardened and precision ground worm form smooth torque transmission
- Permanently lubricated with synthetic grease for long service life

Fixed Speed AC

Output RPM 50/60 Hz.	Max. Safe Torque In. lbs.	Input Hp	Ratio:1	OHL (lbs)	Catalog Number ^(a)	List Price	Mult. Sym.	Ap'x. Shpg. Wgt.	Motor Type & Gear Style	Enclosure	Voltage	Notes ^(b)	Drawing Number
Single Phase - Permanent Split Capacitor													
8/9	175	1/13	180	95	GC24314	690	DS	14	2416C-EB	TENV	115	19,78	1
13/16	100	1/20	100	95	GC24312	690	DS	12	2416C-EB	TENV	115	19,78	1
Three Phase													
2	175	1/12	1200	95	GM25021	730	DS	15	2516M-EB	TENV	208/230-460	33	2
11	125	1/12	150	95	GM25016	730	DS	15	2516M-EB	TENV	208/230-460	33	2

Variable Speed AC

Output RPM 50/60 Hz.	Max. Safe Torque In. lbs.	Speed Range (CT)	Input Hp	Ratio:1	OHL (lbs)	Catalog Number ^(a)	List Price	Mult. Sym.	Ap'x. Shpg. Wgt.	Motor Type & Gear Style	Voltage	Notes ^(b)	Drawing Number
Three Phase - Inverter Duty													
9	175	3 - 14	1/12	180	95	IDGM2512	840	E2	15	2512M-EB	230	77	2
17	125	6 - 25	1/12	100	95	IDGM2511	840	E2	15	2512M-EB	230	77	2

Permanent Magnet DC

Output RPM 50/60 Hz.	Max. Safe Torque In. lbs.	Input Hp	Ratio:1	OHL (lbs)	Catalog Number ^(a)	List Price	Mult. Sym.	Ap'x. Shpg. Wgt.	Motor Type & Gear Style	Voltage D.C. Armature	Voltage	Notes ^(b)	Drawing Number
90 VDC													
6	150	1/8	600	95	GP7304	889	DS	13	2412P-EB	90	1.00		3
20	175	1/4	180	95	GP7409	848	DS	15	2424P-EB	90	2.00		3
180 VDC													
20	175	1/4	180	95	GP7429	875	DS	15	2424P-EB	180	1.00		3

(a) Vertical motor below gearhead not recommended. Avoiding those positions where the high speed oil seal is immersed in oil, will provide greater security against high speed input seal wear.

(b) See notes on inside back flap.

ATTENTION: Additional ratios, voltages, and ratings are available. Application specific modifications are common, such as custom shaft dimensions, addition of brakes or encoders, specific power cords, and washdown features. Contact your local Baldor representative for assistance.

Definite Purpose
Motors

Unit Handling
Motors

Brake Motors

IEC Frame
Motors

50 Hertz
Motors

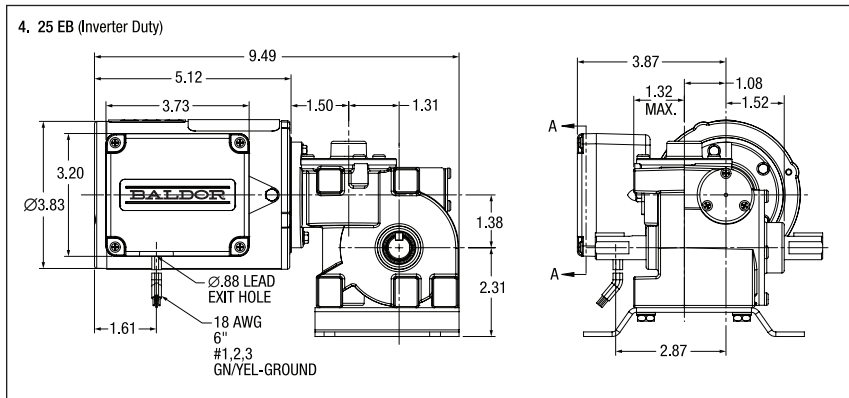
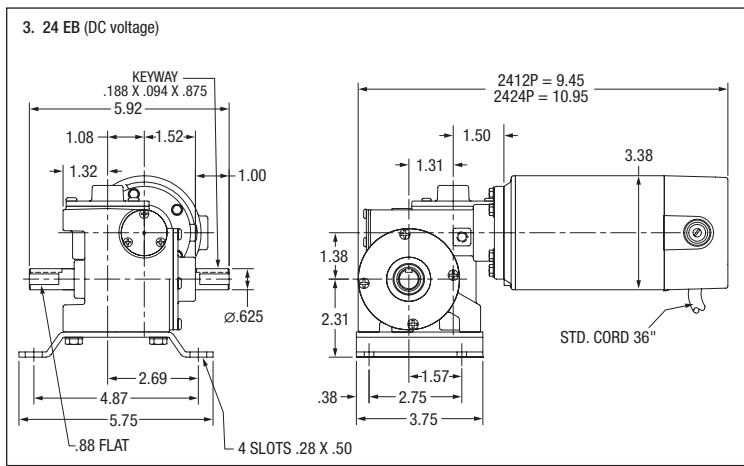
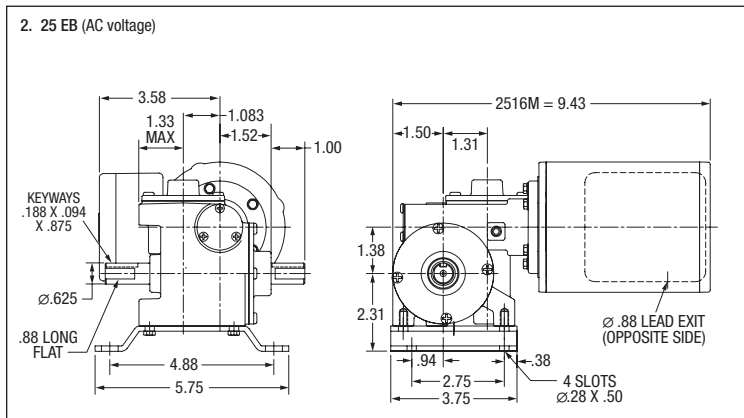
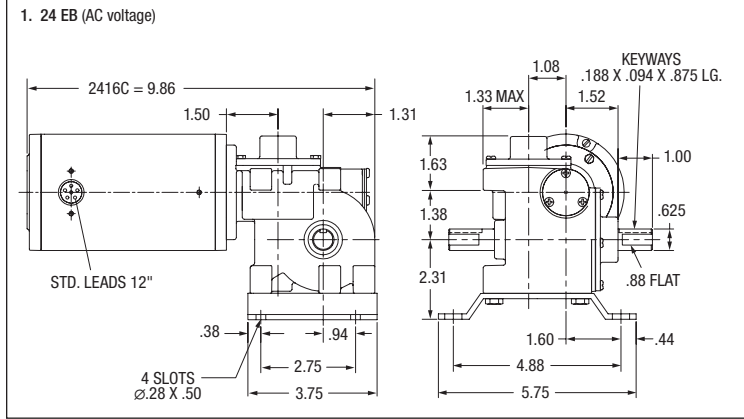
Inverter/Vector
Motors & Controls

DC Motors
and Controls

Gearmotors and
Gear Products

Motor
Accessories

Grinders



Definite Purpose Motors

Unit Handling Motors

Brake Motors

IEC Frame Motors

50 Hertz Motors

Inverter/Vector Motors & Controls

DC Motors and Controls

Gearmotors and Gear Products

Motor Accessories

Grinders

Definite Purpose Motors

Unit Handling Motors

Brake Motors

IEC Frame Motors

50 Hertz Motors

Inverter/Vector Motors & Controls

DC Motors and Controls

Gearmotors and Gear Products

Motor Accessories

Grinders



GC24310 Shown
BB Style

GM3329 Shown
BA Style

Features:

- Internal oil expansion bladder improves seal life and oil retention
- Integral mounting feet for ease of installation
- Bronze gearing with hardened and precision ground worm form smooth torque transmission
- Permanently lubricated with synthetic oil for long service life

Fixed Speed AC

Output RPM 50/60 Hz.	Max. Safe Torque In. lbs.	Input Hp	Ratio:1	OHL (lbs)	Catalog Number ^(a)	List Price	Mult. Sym.	Ap'x. Shpg. Wgt.	Motor Type & Gear Style	Enclosure	Voltage	Notes ^(b)	Drawing Number
Single Phase - Permanent Split Capacitor													
23/28	40	1/15	60	40	GC24313	503	DS	10	2418C-BB	TENV	115	19,78	1
35/43	37	1/15	40	40	GC24310	503	DS	10	2418C-BB	TENV	115	19,78	1
46/56	32	1/15	30	30	GC24305	503	DS	10	2418C-BB	TENV	115	19,78	1
70/85	29	1/15	20	26	GC24306	503	DS	10	2418C-BB	TENV	115	19,78	1
93/113	24	1/15	15	18	GC24304	503	DS	10	2418C-BB	TENV	115	19,78	1
140/170	18	1/15	10	9	GC24302	503	DS	10	2418C-BB	TENV	115	19,78	1
Three Phase													
95/115	30	1/12	15	18	GM25026	542	DS	12	2516M-BA	TENV	190/380//230/460	19	2
143/174	30	1/8	10	9	GM25024	558	DS	13	2516M-BA	TENV	190/380//230/460	19	3
285/345	15	1/8	5	5	GM25022	558	DS	13	2516M-BA	TENV	190/380//230/460	19	3
230	27	1/6	15	18	GM3329	703	DS	11	2512M-BA	TEFC	208 - 230/460	33	4

Variable Speed AC

Output RPM 50/60 Hz.	Max. Safe Torque In. lbs.	Speed Range (CT)	Input Hp	Ratio:1	OHL (lbs)	Catalog Number ^(a)	List Price	Mult. Sym.	Ap'x. Shpg. Wgt.	Motor Type & Gear Style	Voltage	Notes ^(b)	Drawing Number
Three Phase - Inverter Duty													
29	30	10 - 44	1/15	60	40	IDGM2406	612	E2	13	2512M-BB	230	77	6
85	25	28 - 128	1/15	20	26	IDGM2405	612	E2	13	2512M-BB	230	77	6
340	15	113 - 510	1/8	5	5	IDGM2404	612	E2	13	2520M-BB	230	77	6

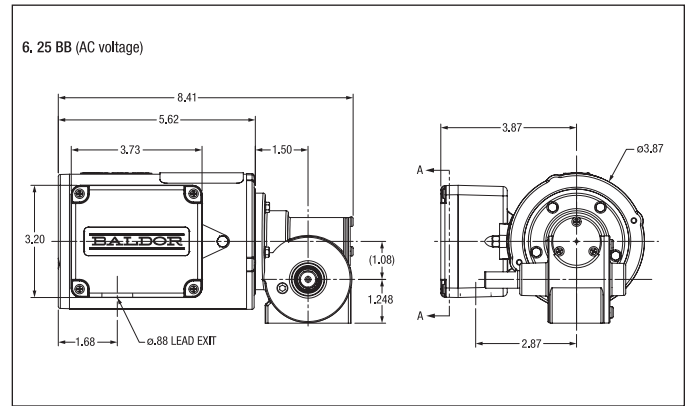
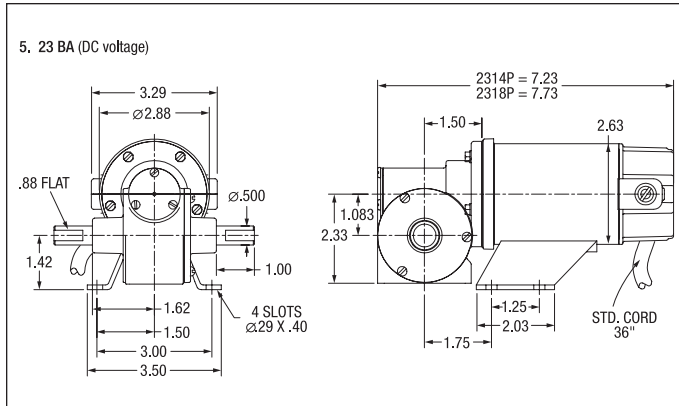
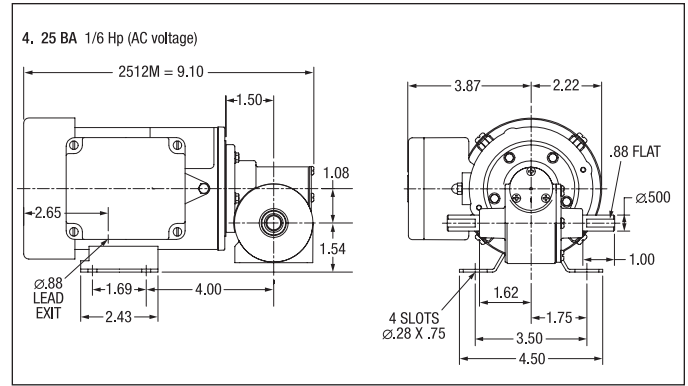
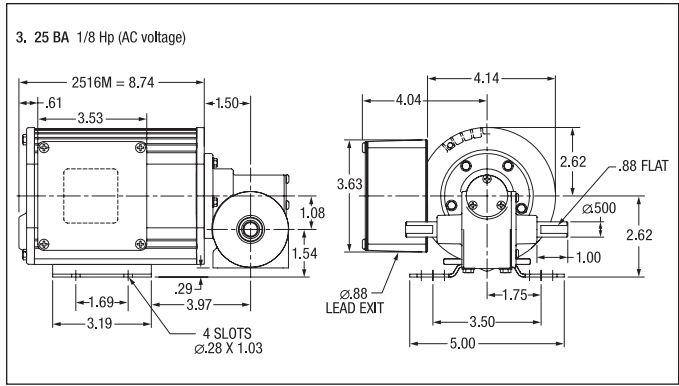
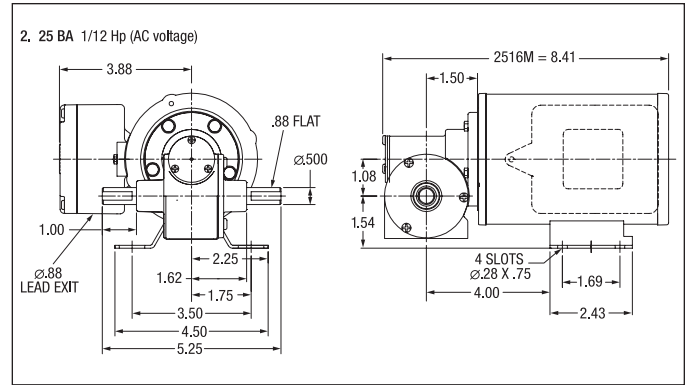
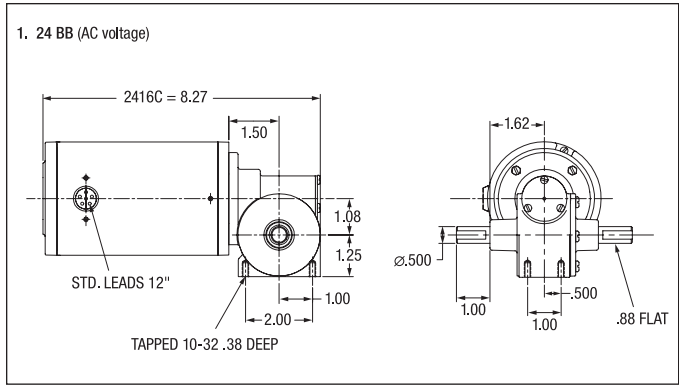
Permanent Magnet DC

Output RPM 50/60 Hz.	Max. Safe Torque In. lbs.	Input Hp	Ratio:1	OHL (lbs)	Catalog Number ^(a)	List Price	Mult. Sym.	Ap'x. Shpg. Wgt.	Motor Type & Gear Style	Voltage D.C. Armature	Voltage	Notes ^(b)	Drawing Number
90 VDC													
40	30	1/22	40	40	GP232002	542	DS	7	2314P-BA	90	0.60		5
60	33	1/16	30	30	GP233003	561	DS	8	2318P-BA	90	0.72		5
90	27	1/16	20	26	GP233002	561	DS	7	2318P-BA	90	0.75		5
120	22	1/16	15	18	GP233007	561	DS	7	2318P-BA	90	0.78		5
173	17	1/16	10	9	GP233001	561	DS	7	2318P-BA	90	0.85		5
180 VDC													
60	33	1/16	30	30	GP233023	561	DS	7	2318P-BA	180	0.42		5
86	28	1/14	20	26	GP233022	561	DS	7	2318P-BA	180	0.42		5
175	17	1/13	10	9	GP233021	561	DS	7	2318P-BA	180	0.42		5

(a) Vertical motor below gearhead not recommended. Avoiding those positions where the high speed oil seal is immersed in oil, will provide greater security against high speed input seal wear.

(b) See notes on inside back flap.

ATTENTION: Additional ratios, voltages, and ratings are available. Application specific modifications are common, such as custom shaft dimensions, addition of brakes or encoders, specific power cords, and washdown features. Contact your local Baldor representative for assistance.



Definite Purpose Motors

Unit Handling Motors

Brake Motors

IEC Frame Motors

50 Hertz Motors

Inverter/Vector Motors & Controls

DC Motors and Controls

Gearmotors and Gear Products

Motor Accessories

Grinders



GP24280
Shown

GC25280 Shown
GC Style

Features:

- Double reduction helical worm delivers high torque in a compact package
- Bronze gearing with hardened and precision ground worm first stage
- High efficiency hardened steel helical second stage
- Permanently lubricated with synthetic oil for long service life
- Industry standard mounting provisions and shafting

Fixed Speed AC

Output RPM 50/60 Hz.	Max. Safe Torque In. lbs.	Input Hp	Ratio:1	OHL (lbs)	Catalog Number	List Price	Mult. Sym.	Ap'x. Shpg. Wgt.	Motor Type & Gear Style	Enclosure	Voltage	Notes (b)	Drawing Number
Single Phase - Permanent Split Capacitor													
5/6	400	1/6	280	200	GC25280	881	DS	20	2520C-G	TEFC	115	19	1
7/8	385	1/6	190	200	GC25190	881	DS	21	2520C-G	TEFC	115	10,19	1
11/13	300	1/6	120	200	GC25120	881	DS	20	2520C-G	TEFC	115	19	1
17/20	290	1/6	80	200	GC25080	881	DS	15	2520C-G	TEFC	115	19	1
23/27	220	1/6	60	200	GC25060	881	DS	20	2520C-G	TEFC	115	19	1
Three Phase													
5/6	400	1/6	280	200	GM25280	959	DS	12	2516M-G	TEFC	190/380//230/460	19	1
7/9	385	1/6	190	200	GM25190	959	DS	20	2516M-G	TEFC	190/380//230/460	19	1
11/14	375	1/6	120	200	GM25120	959	DS	10	2516M-G	TEFC	190/380//230/460	19	1
17/20	310	1/6	80	200	GM25080	959	DS	20	2516M-G	TEFC	190/380//230/460	19	1
23/28	250	1/6	60	200	GM25060	959	DS	20	2516M-G	TEFC	190/380//230/460	19	1

Variable Speed AC

Output RPM 50/60 Hz.	Max. Safe Torque In. lbs.	Speed Range (CT)	Input Hp	Ratio:1	OHL (lbs)	Catalog (a) Number	List Price	Mult. Sym.	Ap'x. Shpg. Wgt.	Motor Type & Gear Style	Voltage	Notes (b)	Drawing Number
Three Phase - Inverter Duty													
6	400	2 - 9	1/8	280	200	IDGM2515	1036	E2	20	2516M-G	230	77	1
14	375	5 - 21	1/6	120	200	IDGM2514	1036	E2	20	2516M-G	230	77	1
28	250	9 - 42	1/6	60	200	IDGM2513	1036	E2	20	2516M-G	230	77	1

Permanent Magnet DC

Output RPM 50/60 Hz.	Max. Safe Torque In. lbs.	Input Hp	Ratio:1	OHL (lbs)	Catalog (a) Number	List Price	Mult. Sym.	Ap'x. Shpg. Wgt.	Motor Type & Gear Style	Voltage D.C. Armature	Voltage	Notes (b)	Drawing Number
90 VDC													
6	400	1/8	280	200	GP24280	965	DS	16	2424P-G	90	1.80		2
9	385	1/8	190	200	GP24190	965	DS	16	2424P-G	90	1.80		2
14	280	1/8	120	200	GP24120	965	DS	16	2424P-G	90	1.80		2
29	163	1/8	60		GP24060	965	DS	16	2424P-G	90	1.80		2

(a) Vertical motor below gearhead not recommended.

Avoiding those positions where the high speed oil seal is immersed in oil, will provide greater security against high speed input seal wear.

(b) See notes on inside back flap.

ATTENTION: Additional ratios, voltages, and ratings are available. Application specific modifications are common, such as custom shaft dimensions, addition of brakes or encoders, specific power cords, and washdown features. Contact your local Baldor representative for assistance.

Definite Purpose
Motors

Unit Handling
Motors

Brake Motors

IEC Frame
Motors

50 Hertz
Motors

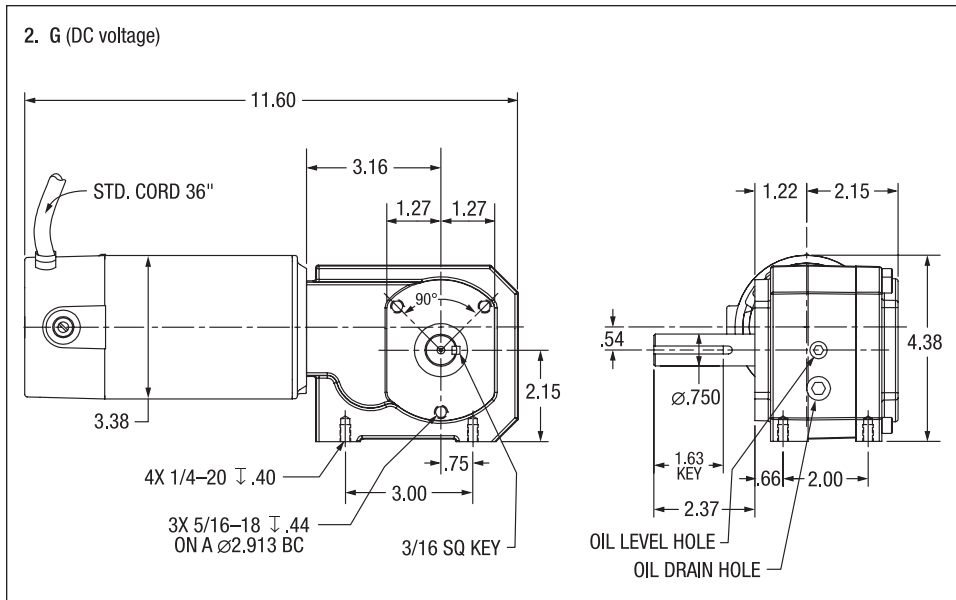
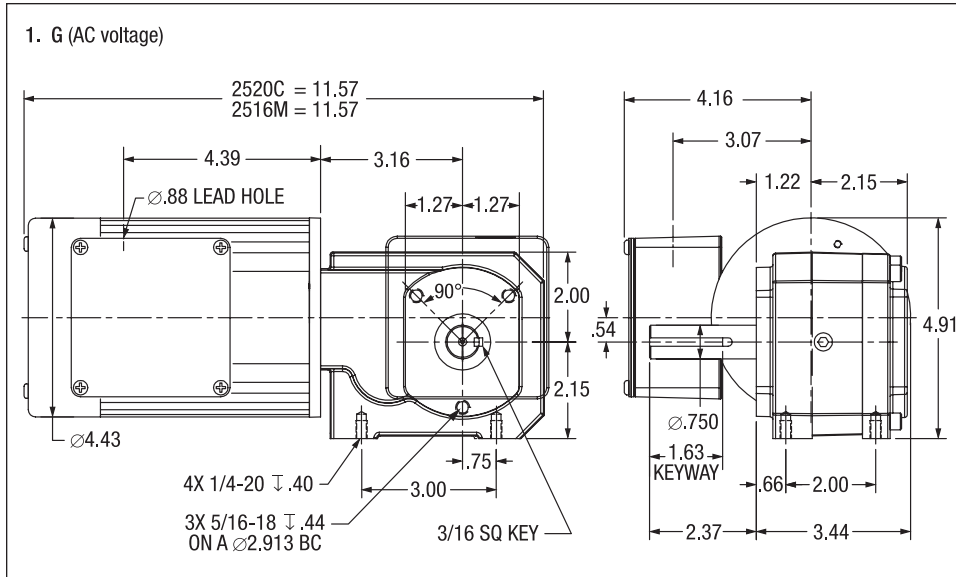
Inverter/Vector
Motors & Controls

DC Motors
and Controls

Gearmotors and
Gear Products

Motor
Accessories

Grinders



Definite Purpose
Motors

Unit Handling
Motors

Brake Motors

IEC Frame
Motors

50 Hertz
Motors

Inverter/Vector
Motors & Controls

DC Motors
and Controls

Gearmotors and
Gear Products

Motor
Accessories

Grinders



Features:

- Internal oil expansion bladder improves seal life and oil retention
- Integral mounting feet with industry standard dimensions for ease of installation
- Bronze gearing with hardened and ground worm for smooth torque transmission
- Permanently lubricated with synthetic oil for long service life

Fixed Speed AC

Output RPM 50/60 Hz.	Max. Safe Torque In. lbs.	Input Hp	Ratio:1	OHL (lbs)	Catalog Number ^(a)	List Price	Mult. Sym.	Ap'x. Shpg. Wgt.	Motor Type & Gear Style	Enclosure	Voltage	Notes ^(b)	Drawing Number
Single Phase - Permanent Split Capacitor													
23/28	45	1/15	60	120	GC24307	537	DS	11	2416C-KA	TEFC	110/115	19	1
35/42	49	1/15	40	120	GC24308	537	DS	11	2416C-KA	TEFC	110/115	10,19	1
34/41	90	1/8	40	120	GC25004	635	DS	16	2520C-KA	TEFC	110/115	19	2
33/41	130	1/6	40	120	GC3320	701	DS	15	2524C-K	TEFC	110/115	19	3
46/55	78	1/8	30	120	GC25006	635	DS	16	2520C-KA	TEFC	110/115	10,19	2
68/83	32	1/15	20	120	GC24309	537	DS	11	2416C-KA	TEFC	110/115	10,19	1
69/82	57	1/8	20	120	GC25007	635	DS	16	2520C-KA	TEFC	110/115	19	2
67/82	75	1/6	20	120	GC3321	701	DS	15	2524C-K	TEFC	110/115	19	3
135/165	18	1/15	10	120	GC24311	537	DS	11	2416C-KA	TEFC	110/115	10,19	1
130/160	33	1/8	10	120	GC25008	635	DS	16	2520C-KA	TEFC	110/115	19	2
135/165	43	1/6	10	120	GC3322	701	DS	15	2524C-K	TEFC	110/115	19	3
265/320	23	1/6	5	120	GC3324	701	DS	15	2524C-K	TEFC	110/115	19	3
Single Phase - Split Phase													
36/43	90	1/8	40	120	GC25009	635	DS	17	2420S-KA	TEFC	110/115	19	1
48/57	78	1/8	30	120	GC25011	635	DS	15	2420S-KA	TEFC	110/115	10,19	1
71/86	57	1/8	20	120	GC25012	635	DS	15	2420S-KA	TEFC	110/115	19	1
140/170	33	1/8	10	120	GC25014	635	DS	15	2520S-KA	TEFC	110/115	19	2
Single Phase - Capacitor Start Induction Run													
35/42	130	1/6	40	120	GL3326	701	DS	18	2528L-K	TEFC	110/115	19	4
71/85	75	1/6	20	120	GL3327	701	DS	21	2528L-K	TEFC	110/115	19	4
135/165	43	1/6	10	120	GL3328	701	DS	21	2528L-K	TEFC	110/115	19	4
280/335	23	1/6	5	120	GL3329	701	DS	18	2528L-K	TEFC	110/115	19	4
Three Phase													
35/43	170	1/4	40	120	GM3340	848	DS	16	2524M-K	TEFC	190/380//230/460	19	3
70/85	112	1/4	20	120	GM3345	848	DS	16	2524M-K	TEFC	190/380//230/460	19	3
140/170	72	1/4	10	120	GM3347	848	DS	16	2524M-K	TEFC	190/380//230/460	19	3
279/340	36	1/4	5	120	GM3349	848	DS	16	2524M-K	TEFC	190/380//230/460	19	3

(a) Vertical motor below gearhead not recommended.

Avoiding those positions where the high speed oil seal is immersed in oil, will provide greater security against high speed input seal wear.

(b) See notes on inside back flap.

ATTENTION: Additional ratios, voltages, and ratings are available. Application specific modifications are common, such as custom shaft dimensions, addition of brakes or encoders, specific power cords, and washdown features. Contact your local Baldor representative for assistance.

Definite Purpose Motors

Unit Handling Motors

Brake Motors

IEC Frame Motors

50 Hertz Motors

Inverter/Vector Motors & Controls

DC Motors and Controls

Gearmotors and Gear Products

Motor Accessories

Grinders



Features:

- Internal oil expansion bladder improves seal life and oil retention
- Integral mounting feet with industry standard dimensions for ease of installation
- Bronze gearing with hardened and ground worm for smooth torque transmission
- Permanently lubricated with synthetic oil for long service life

Variable Speed AC

Output RPM 50/60 Hz.	Max. Safe Torque In. lbs.	Speed Range (CT)	Input Hp	Ratio:1	OHL (lbs)	Catalog Number	List Price	Mult. Sym.	Ap'x. Shpg. Wgt.	Motor Type & Gear Style	Voltage	Notes (b)	Drawing Number
Three Phase - Inverter Duty													
22	315	7 - 33	3/8	75	120	IDGM2509	868	E2	17	2528M-K	230	77	3
28	252	9 - 42	3/8	60	120	IDGM2508	868	E2	17	2528M-K	230	77	3
41	228	14 - 62	3/8	40	120	IDGM2506	868	E2	17	2528M-K	230	77	3
83	138	28 - 125	3/8	20	120	IDGM2503	868	E2	17	2528M-K	230	77	3
165	105	55 - 248	3/8	10	120	IDGM2501	868	E2	17	2528M-K	230	77	3
330	68	110 - 495	3/8	5	120	IDGM2500	868	E2	17	2528M-K	230	77	3

Permanent Magnet DC

Output RPM 50/60 Hz.	Max. Safe Torque In. lbs.	Input Hp	Ratio:1	OHL (lbs)	Catalog Number	List Price	Mult. Sym.	Ap'x. Shpg. Wgt.	Motor Type & Gear Style	Voltage D.C. Armature	Voltage	Notes (b)	Drawing Number
90 VDC													
43	73	1/12	40	73	GP12511	690	DS	10	2416P-K	90	1.00		5
43	135	1/6	40	135	GP13530	725	DS	13	2428P-K	90	1.73		5
57	111	1/6	30	111	GP13531	725	DS	13	2428P-K	90	1.73		5
86	39	1/12	20	39	GP12512	690	DS	10	2416P-K	90	1.00		5
88	88	1/6	20	88	GP13532	725	DS	13	2428P-K	90	1.73		5
173	22	1/12	10	22	GP12514	690	DS	10	2416P-K	90	0.90		5
173	48	1/6	10	48	GP13533	725	DS	13	2428P-K	90	1.73		5
346	10	1/12	5	10	GP12516	690	DS	10	2416P-K	90	0.90		5
346	24	1/6	5	24	GP13536	725	DS	13	2428P-K	90	1.73		5

(a) Vertical motor below gearhead not recommended.

Avoiding those positions where the high speed oil seal is immersed in oil, will provide greater security against high speed input seal wear.

(b) See notes on inside back flap.

ATTENTION: Additional ratios, voltages, and ratings are available. Application specific modifications are common, such as custom shaft dimensions, addition of brakes or encoders, specific power cords, and washdown features. Contact your local Baldor representative for assistance.

Definite Purpose Motors

Unit Handling Motors

Brake Motors

IEC Frame Motors

50 Hertz Motors

Inverter/Vector Motors & Controls

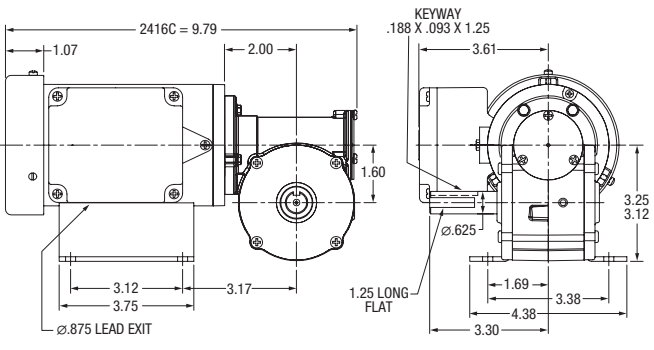
DC Motors and Controls

Gearmotors and Gear Products

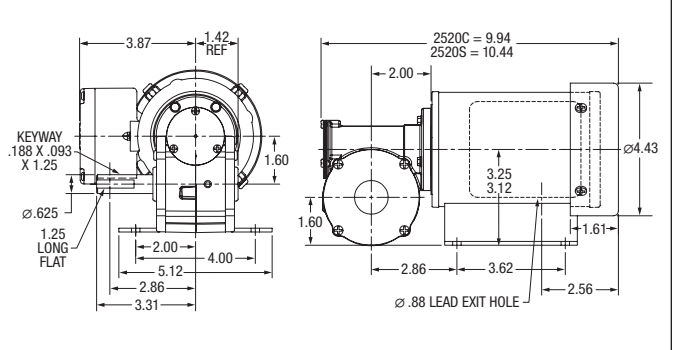
Motor Accessories

Grinders

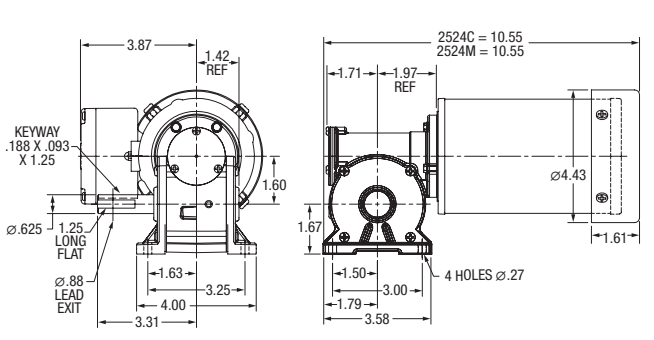
1. 24 KA (AC voltage)



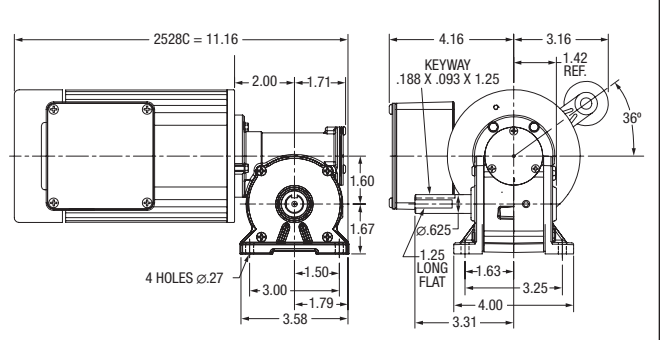
2. 25 KA (AC voltage)



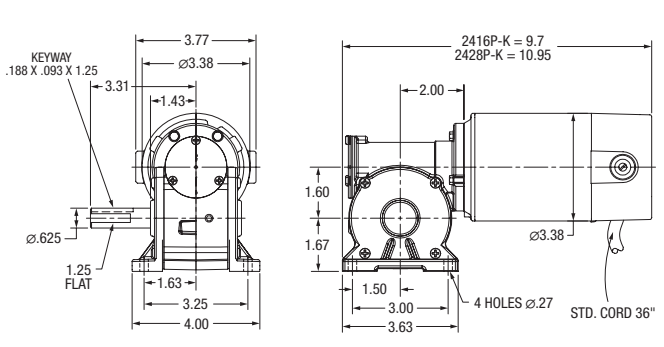
3. 25 K (AC voltage)



4. 25 K (AC voltage)



5. K (DC voltage)





HK Style

Features:

- Internal oil expansion bladder improves seal life and oil retention
- Bronze gearing with hardened and ground worm for smooth torque transmission
- Permanently lubricated with synthetic oil for long service life
- Industry standard 5/8" hollow bore shaft and mounting provisions

Variable Speed AC

Output RPM 50/60 Hz.	Max. Safe Torque In. lbs.	Speed Range (CT)	Input Hp	Ratio:1	Catalog (a) Number	List Price	Mult. Sym.	Ap'x. Shpg. Wgt.	Motor Type & Gear Style	Voltage @ 60 Hz	Notes (b)	Drawing Number
Three Phase - Inverter Duty												
22	315	7 - 33	3/8	75	IDGHM2509	998	E2	19	2528M-HK	230	77	1
28	252	9 - 42	3/8	60	IDGHM2508	998	E2	19	2528M-HK	230	77	1
41	228	14 - 62	3/8	40	IDGHM2506	998	E2	19	2528M-HK	230	77	1
55	195	18 - 83	3/8	30	IDGHM2504	998	E2	19	2528M-HK	230	77	1
83	138	28 - 125	3/8	20	IDGHM2503	998	E2	19	2528M-HK	230	77	1
165	105	55 - 248	3/8	10	IDGHM2501	998	E2	19	2528M-HK	230	77	1
330	68	110 - 495	3/8	5	IDGHM2500	998	E2	19	2528M-HK	230	77	1

Permanent Magnet DC

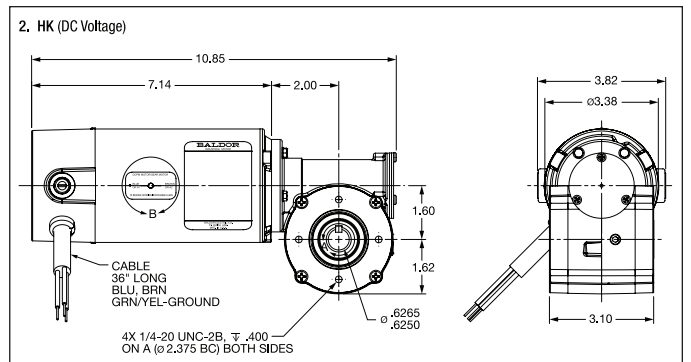
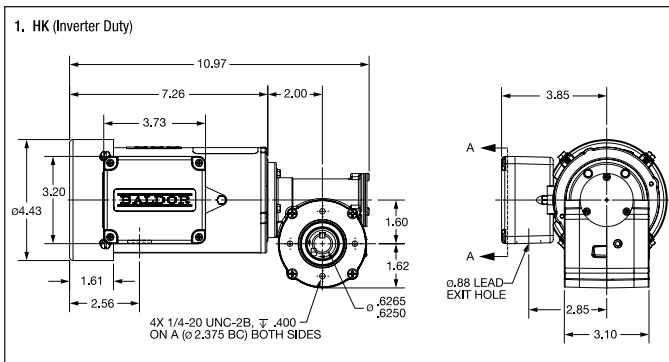
Output RPM 50/60 Hz.	Max. Safe Torque In. lbs.	Input Hp	Ratio:1	Catalog (a) Number	List Price	Mult. Sym.	Ap'x. Shpg. Wgt.	Motor Type & Gear Style	Voltage D.C. Armature	Full Load Amperage Armature	Notes (b)	Drawing Number
90 VDC												
43	135	1/6	40	GHP13530	834	DS	12	2428P-HK	90	1.73		2
57	111	1/6	30	GHP13531	834	DS	12	2428P-HK	90	1.73		2
88	88	1/6	20	GHP13532	834	DS	12	2428P-HK	90	1.73		2
173	48	1/6	10	GHP13533	834	DS	12	2428P-HK	90	1.73		2
346	24	1/6	5	GHP13536	834	DS	12	2428P-HK	90	1.73		2

(a) Vertical motor below gearhead not recommended.

Avoiding those positions where the high speed oil seal is immersed in oil, will provide greater security against high speed input seal wear.

(b) See notes on inside back flap.

ATTENTION: Additional ratios, voltages, and ratings are available. Application specific modifications are common, such as custom shaft dimensions, addition of brakes or encoders, specific power cords, and washdown features. Contact your local Baldor representative for assistance.





Features:

- Internal oil expansion bladder improves seal life and oil retention
- Integral mounting feet for ease of installation
- Bronze gearing with hardened and ground worm for smooth torque transmission
- Permanently lubricated with synthetic oil for long service life

GC24322 Shown
CB Style

GP231004
Shown

Fixed Speed AC

Output RPM 50/60 Hz.	Max. Safe Torque In. lbs.	Input Hp	Ratio:1	OHL (lbs)	Catalog Number ^(a)	List Price	Mult. Sym.	Ap'x. Shpg. Wgt.	Motor Type & Gear Style	Enclosure	Voltage	Notes ^(b)	Drawing Number
Single Phase - Permanent Split Capacitor													
23/28	75	1/12	58	65	GC24322	540	DS	13	2420C-CB	TENV	110/115	19,78	1
41/50	62	1/12	33	65	GC24320	540	DS	13	2420C-CB	TENV	110/115	19,78	1
60/71	49	1/12	22	65	GC24318	540	DS	13	2420C-CB	TENV	110/115	19,78	1
123/148	25	1/12	11	40	GC24316	540	DS	13	2420C-CB	TENV	110/115	19,78	1
Three Phase													
156	42	1/6	23	65	GM3331	738	DS	13	2512M-CA	TENV	208/230-460	33	2

Permanent Magnet DC

Output RPM 50/60 Hz.	Max. Safe Torque In. lbs.	Input Hp	Ratio:1	OHL (lbs)	Catalog Number ^(a)	List Price	Mult. Sym.	Ap'x. Shpg. Wgt.	Motor Type & Gear Style	Voltage D.C. Armature	Voltage	Notes ^(b)	Drawing Number
90 VDC													
22	45	1/25	72	65	GP231004	542	DS	8	2314P-CB	90	0.53		3
30	38	1/25	58	65	GP232003	542	DS	8	2314P-CB	90	0.53		3
38	57	1/16	45	65	GP233006	561	DS	8	2318P-CB	90	0.80		3
52	48	1/16	33	65	GP233005	561	DS	8	2318P-CB	90	0.75		3
76	33	1/16	23	65	GP233004	561	DS	8	2318P-CB	90	0.85		3
180 VDC													
41	57	1/16	45	65	GP233026	561	DS	8	2318P-CB	180	0.42		3
53	48	1/16	33	65	GP233025	561	DS	8	2318P-CB	180	0.40		3
20	76	1/14	23	65	GP233024	561	DS	8	2318P-CB	180	0.42		3

(a) Vertical motor below gearhead not recommended.

Avoiding those positions where the high speed oil seal is immersed in oil, will provide greater security against high speed input seal wear.

(b) See notes on inside back flap.

ATTENTION: Additional ratios, voltages, and ratings are available. Application specific modifications are common, such as custom shaft dimensions, addition of brakes or encoders, specific power cords, and washdown features. Contact your local Baldor representative for assistance.

Definite Purpose
Motors

Unit Handling
Motors

Brake Motors

IEC Frame
Motors

50 Hertz
Motors

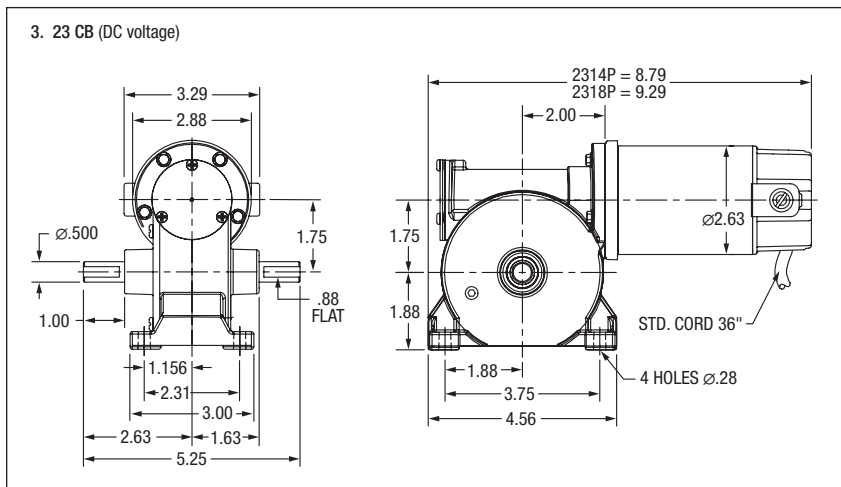
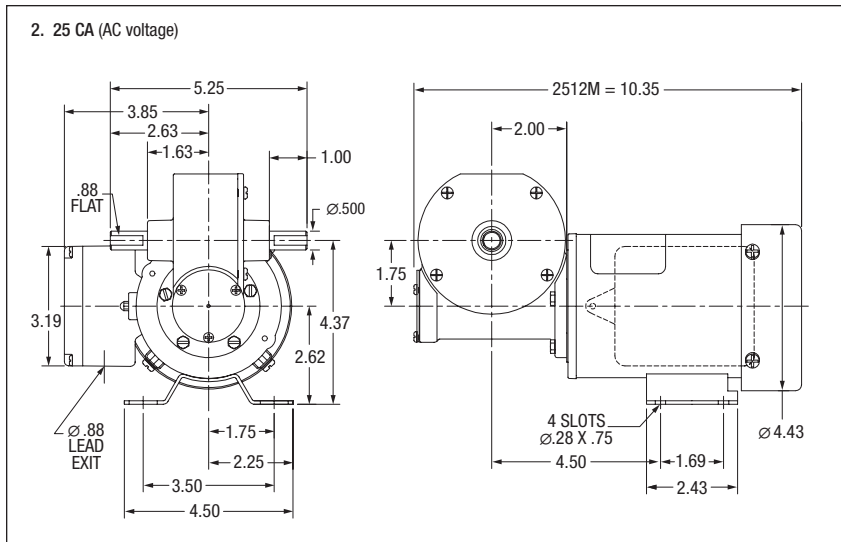
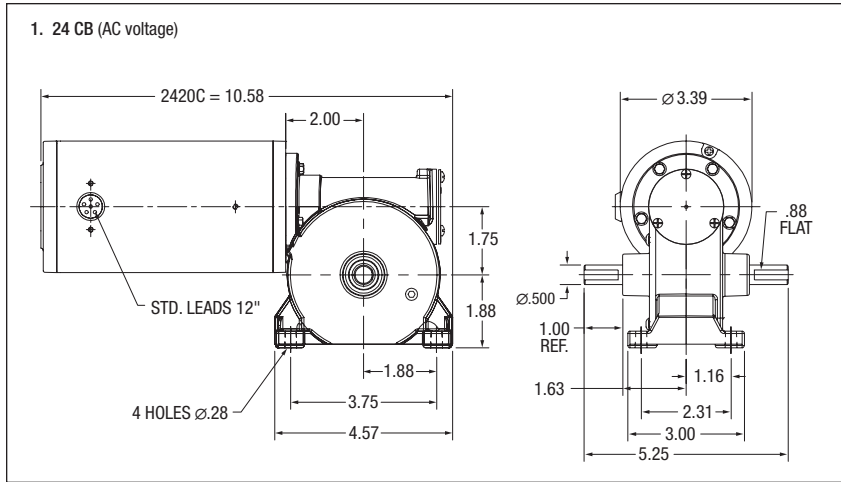
Inverter/Vector
Motors & Controls

DC Motors
and Controls

Gearmotors and
Gear Products

Motor
Accessories

Grinders



Definite Purpose Motors

Unit Handling Motors

Brake Motors

IEC Frame Motors

50 Hertz Motors

Inverter/Vector Motors & Controls

DC Motors and Controls

Gearmotors and Gear Products

Motor Accessories

Grinders



GM2503 Shown
JH Style

Features:

- Internal oil expansion bladder improves seal life and oil retention
- Integral mounting feet for ease of installation
- Bronze gearing with hardened and ground worm for smooth torque transmission
- Permanently lubricated with synthetic oil for long service life

Fixed Speed AC

Output RPM 50/60 Hz.	Max. Safe Torque In. lbs.	Input Hp	Ratio:1	OHL (lbs)	Catalog Number ^(a)	List Price	Mult. Sym.	Ap'x. Shpg. Wgt.	Motor Type & Gear Style	Enclosure	Voltage	Notes ^(b)	Drawing Number
Single Phase - Permanent Split Capacitor													
30/37	125	1/8	45	125	GC25020	643	DS	16	2524S-JK	TEFC	115	19,20	1
43/50	10	1/8	33	125	GC25015	643	DS	16	2524S-JK	TEFC	115	19,20	1
62/74	79	1/8	23	125	GC25010	643	DS	16	2524S-JK	TEFC	115	19,20	1
74	152	1/4	23	125	GC3330	701	DS	26	3324S-JK	TEFC	115	33	2
126/152	41	1/8	11	125	GC25005	643	DS	16	2524S-JK	TEFC	115	19,20	1
151	70	1/4	11	125	GC3325	701	DS	26	3324S-JK	TEFC	115	33	2
Three Phase													
34	256	1/3	50	125	GM2507	867	DS	18	2528M-JH	TEFC	208-230/460	20,33	4
35	295	1/2	50	125	GM3307	873	DS	26	3320M-JH	TEFC	208-230/460	33	5
38	125	1/6	40	125	GM3337	852	DS	16	2520M-JK	TEFC	208-230/460	20,33	3
42	230	1/3	40	125	GM2506	867	DS	18	2528M-JH	TEFC	208-230/460	20,33	4
44	280	1/2	40	125	GM3306	873	DS	26	3320M-JH	TEFC	208-230/460	33	5
104	75	1/4	33	125	GM3338	852	DS	16	2520M-JK	TEFC	208-230/460	20,33	3
75	85	1/6	23	125	GM3334	852	DS	15	2520M-JK	TEFC	208-230/460	20,33	3
84	155	1/3	20	125	GM2503	867	DS	18	2528M-JH	TEFC	208-230/460	20,33	4
88	200	1/2	20	125	GM3303	873	DS	27	3320M-JH	TEFC	208-230/460	33	5
168	90	1/3	10	125	GM2501	867	DS	18	2528M-JH	TEFC	208-230/460	20,33	4
175	135	1/2	10	125	GM3301	873	DS	26	3320M-JH	TEFC	208-230/460	33	5

Variable Speed AC

Output RPM 50/60 Hz.	Max. Safe Torque In. lbs.	Speed Range (CT)	Input Hp	Ratio:1	OHL (lbs)	Catalog Number ^(a)	List Price	Mult. Sym.	Ap'x. Shpg. Wgt.	Motor Type & Gear Style	Voltage	Notes ^(b)	Drawing Number
Three Phase - Inverter Duty													
29	413	10 - 44	1/2	60	125	IDGM3303	942	E2	28	3324M-JH	230	20,77	5
58	355	19 - 86	1/2	30	125	IDGM3302	942	E2	28	3324M-JH	230	20,77	5
170	230	57 - 255	3/4	10	125	IDGM3301	961	E2	30	3332M-JH	230	20,77	5
340	125	113 - 510	3/4	5	125	IDGM3300	961	E2	30	3332M-JH	230	20,77	5

(a) Vertical motor below gearhead not recommended.

Avoiding those positions where the high speed oil seal is immersed in oil, will provide greater security against high speed input seal wear.

(b) See notes on inside back flap.

ATTENTION: Additional ratios, voltages, and ratings are available. Application specific modifications are common, such as custom shaft dimensions, addition of brakes or encoders, specific power cords, and washdown features. Contact your local Baldor representative for assistance.

Definite Purpose
Motors

Unit Handling
Motors

Brake Motors

IEC Frame
Motors

50 Hertz
Motors

Inverter/Vector
Motors & Controls

DC Motors
and Controls

Gearmotors and
Gear Products

Motor
Accessories

Grinders



GM2503 Shown
JH Style

Features:

- Internal oil expansion bladder improves seal life and oil retention
- Integral mounting feet for ease of installation
- Bronze gearing with hardened and ground worm for smooth torque transmission
- Permanently lubricated with synthetic oil for long service life

Permanent Magnet DC

Output RPM 50/60 Hz.	Max. Safe Torque In. lbs.	Input Hp	Ratio:1	OHL (lbs)	Catalog Number ^(a)	List Price	Mult. Sym.	Ap'x. Shpg. Wgt.	Motor Type & Gear Style	Voltage D.C. Armature	Voltage	Notes ^(b)	Drawing Number
90 VDC													
30	120	1/8	58	125	GP7404	770	DS	13	2424P-JK	90	1.3	20	6
48	150	1/3	50	125	GP2507	944	DS	21	2532P-JH	90	3.4	20	7
50	234	1/2	50	125	GP3307	1,096	DS	30	3327P-JH	90	5	20	8
38	100	1/8	45	125	GP7403	770	DS	14	2424P-JK	90	1.3	20	6
50	120	1/5	45	125	GP7408	770	DS	14	2428P-JK	90	2	20	6
76	100	1/4	45	125	GP7407	770	DS	14	2428P-JK	90	2.5	20	6
62	137	1/3	40	125	GP2506	944	DS	21	2532P-JH	90	3.4	20	7
63	215	1/2	40	125	GP3306	1,096	DS	30	3327P-JH	90	5	20	8
52	75	1/8	33	125	GP7402	770	DS	14	2424P-JK	90	1.3	20	6
68	112	1/4	33	125	GP7405	770	DS	14	2428P-JK	90	2.5	20	6
104	75	1/4	33	125	GP7406	770	DS	14	2428P-JK	90	2.5	20	6
75	60	1/8	23	125	GP7401	770	DS	14	2424P-JK	90	1.3	20	6
123	95	1/3	20	125	GP2503	944	DS	21	2532P-JH	90	3.4	20	7
125	145	1/2	20	125	GP3303	1,096	DS	30	3327P-JH	90	5	20	8
173	32	1/8	11	125	GP7400	770	DS	14	2424P-JK	90	1.3	20	6
245	65	1/3	10	125	GP2501	944	DS	21	2532P-JH	90	3.4	20	7
250	100	1/2	10	125	GP3301	1,096	DS	30	3327P-JH	90	5	20	8
314	32	1/4	8	125	GP7413	770	DS	14	2428P-JK	90	2.5	20	6
180 VDC													
30	120	1/8	58	125	GP7424	770	DS	14	2420P-JK	180	0.64	20	6
38	100	1/8	45	125	GP7423	770	DS	14	2420P-JK	180	0.64	20	6
50	120	1/5	45	125	GP7428	770	DS	14	2428P-JK	180	1.1	20	6
68	135	1/4	45	125	GP7425	770	DS	14	2428P-JK	180	1.3	20	6
76	100	1/4	45	125	GP7427	770	DS	14	2428P-JK	180	1.3	20	6
52	75	1/8	33	125	GP7422	770	DS	14	2420P-JK	180	0.64	20	6
104	75	1/4	33	125	GP7426	770	DS	14	2428P-JK	180	1.3	20	6
78	60	1/8	23	125	GP7421	770	DS	14	2420P-JK	180	0.64	20	6
173	32	1/8	11	125	GP7420	770	DS	14	2424P-JK	180	0.65	20	6
314	32	1/4	11	125	GP7433	770	DS	14	2428P-JK	180	1.3	20	6

(a) Vertical motor below gearhead not recommended.

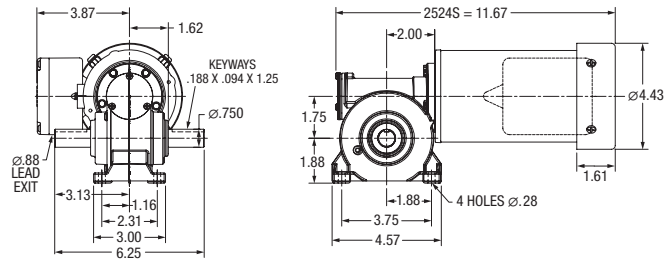
Avoiding those positions where the high speed oil seal is immersed in oil, will provide greater security against high speed input seal wear.

(b) See notes on inside back flap.

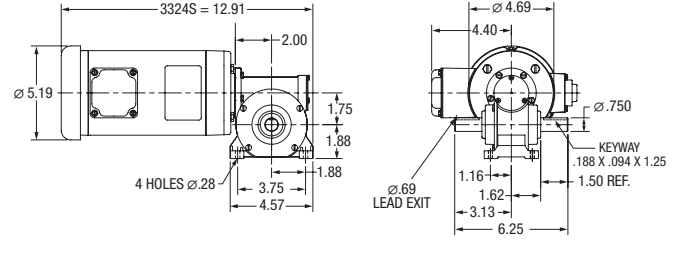
ATTENTION: Additional ratios, voltages, and ratings are available. Application specific modifications are common, such as custom shaft dimensions, addition of brakes or encoders, specific power cords, and washdown features. Contact your local Baldor representative for assistance.

Definite Purpose Motors
 Unit Handling Motors
 Brake Motors
 IEC Frame Motors
 50 Hertz Motors
 Inverter/Vector Motors & Controls
 DC Motors and Controls
 Gearmotors and Gear Products
 Motor Accessories
 Grinders

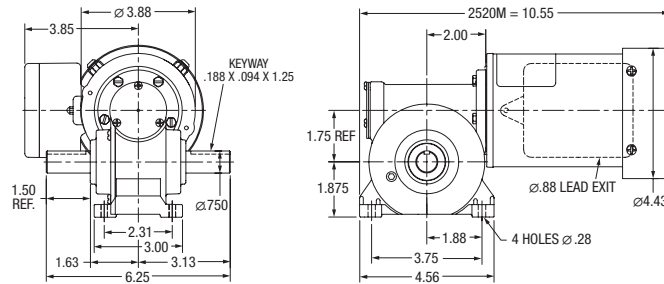
1. 25 JK (Single Phase)



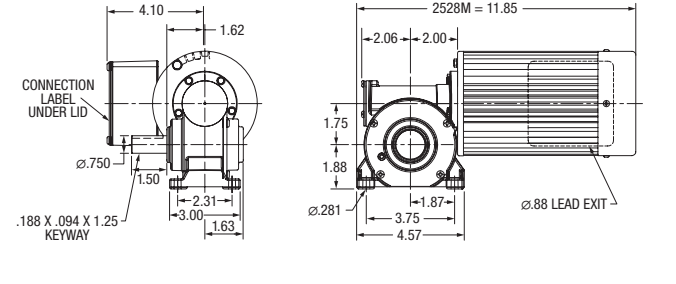
2. 33 JK (Single Phase)



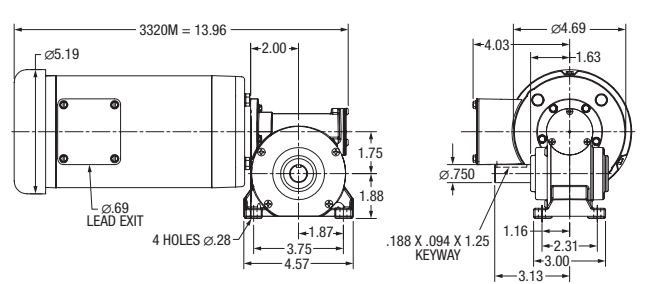
3. 25 JK (Three Phase)



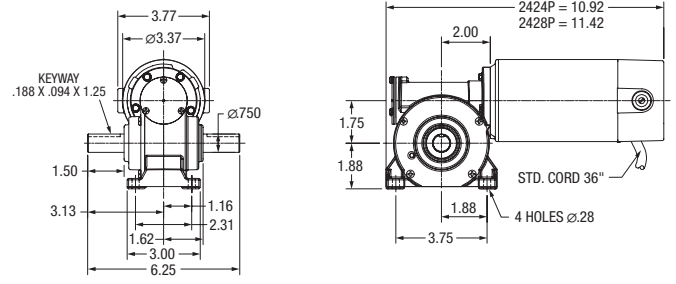
4. 25 JH (Three Phase)



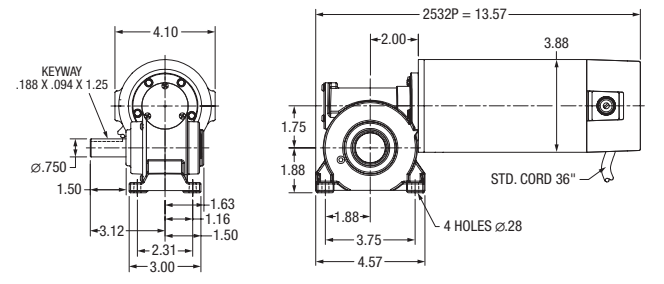
5. 33 JH (Three Phase)



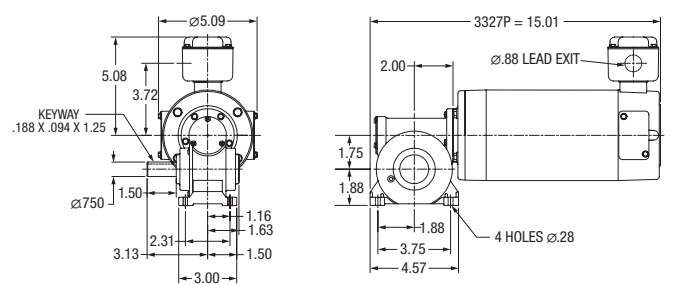
6. 24 JK (DC voltage)



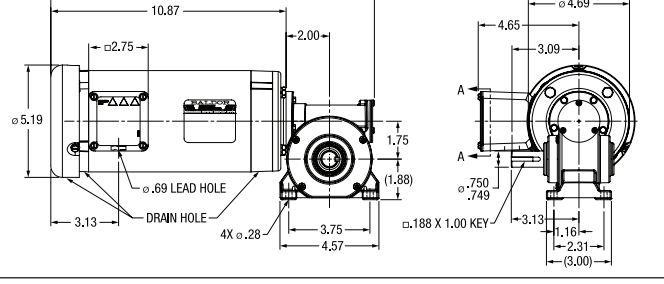
7. 25 JH (DC voltage)



8. 33 JH (DC voltage)



9. 33 JH (Inverter Duty)





GPF13517 Shown
JAF Style

Features:

- Internal oil expansion bladder improves seal life and oil retention
- Bronze gearing with hardened and ground worm for smooth torque transmission
- Permanently lubricated with synthetic oil for long service life
- Integral output flange for ease of mounting in tight spaces

Permanent Magnet DC

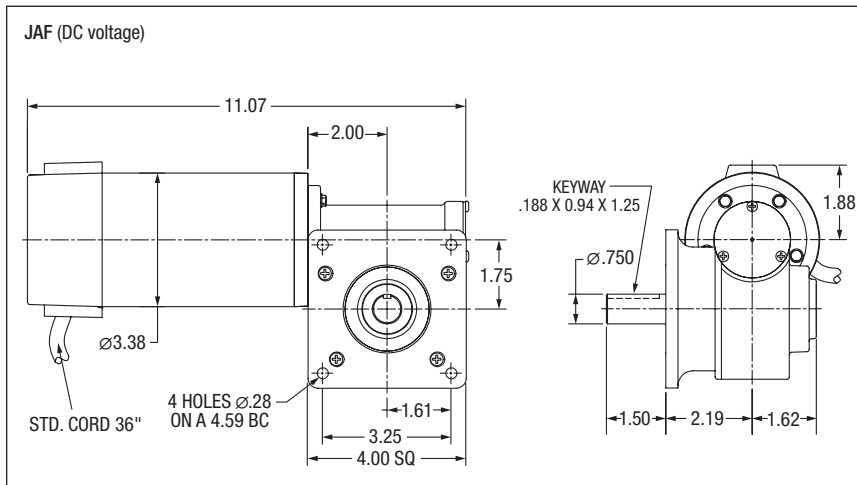
Output RPM 50/60 Hz.	Max. Safe Torque In. lbs.	Input Hp	Ratio:1	OHL (lbs)	Catalog Number ^(a)	List Price	Mult. Sym.	Ap'x. Shpg. Wgt.	Motor Type & Gear Style	Voltage D.C. Armature	Full Load Amperage Armature	Notes ^(b)
90 VDC												
111	96	1/4	23	125	GPF13516	799	DS	15	2428P-JAF	90	2.60	
76	110	1/4	22	125	GPF13517	799	DS	15	2428P-JAF	90	2.20	
167	69	1/4	15	125	GPF13515	799	DS	15	2428P-JAF	90	2.50	
312	38	1/4	8	125	GPF13514	799	DS	15	2428P-JAF	90	2.50	
180 VDC												
76	88	1/5	33	125	GPF13532	799	DS	15	135-JAF	180	1.00	
167	55	1/5	15	125	GPF13530	799	DS	15	135-JAF	180	1.00	

(a) Vertical motor below gearhead not recommended.

Avoiding those positions where the high speed oil seal is immersed in oil, will provide greater security against high speed input seal wear.

(b) See notes on inside back flap.

ATTENTION: Additional ratios, voltages, and ratings are available. Application specific modifications are common, such as custom shaft dimensions, addition of brakes or encoders, specific power cords, and washdown features. Contact your local Baldor representative for assistance.





GHL and GHM Shown
H Style

Features:

- Internal oil expansion bladder improves seal life and oil retention
- Bronze gearing with hardened and ground worm for smooth torque transmission
- Permanently lubricated with synthetic oil for long service life
- Industry standard 1.00" hollow bore shaft with torque arm included

Fixed Speed AC

Output RPM 50/60 Hz.	Max. Safe Torque In. lbs.	Input Hp	Ratio:1	Catalog Number ^(a)	List Price	Mult. Sym.	Ap'x. Shpg. Wgt.	Motor Type & Gear Style	Enclosure	Voltage	Notes ^(b)
Single Phase - Capacitor Start Induction Run											
29	600	1/2	60	GHL35060	1123	DS	45	3421L-H	TEFC	115/230	10,33
58	350	1/2	30	GHL35030	1123	DS	45	3421L-H	TEFC	115/230	10,33
58	750	1	30	GHL31030	1379	DS	55	3524L-H	TEFC	115/230	10,33
88	250	1/2	20	GHL35020	1123	DS	45	3421L-H	TEFC	115/230	10,33
88	550	1	20	GHL31020	1379	DS	55	3524L-H	TEFC	115/230	10,33
175	150	1/2	10	GHL35010	1123	DS	45	3421L-H	TEFC	115/230	33
175	300	1	10	GHL31010	1379	DS	55	3524L-H	TEFC	115/230	10,33
Single Phase - Capacitor Start Capacitor Run											
58	550	3/4	30	GHL37530	1208	DS	50	3428LC-H	TEFC	115/230	10,33
88	420	3/4	20	GHL37520	1208	DS	50	3428LC-H	TEFC	115/230	10,33
175	230	3/4	10	GHL37510	1208	DS	50	3428LC-H	TEFC	115/230	10,33
Three Phase											
29	600	1/2	60	GHM35060	1083	DS	40	3416M-H	TEFC	230/460	30,33
35	609	1/2	50	GHM35050	1083	DS	40	3416M-H	TEFC	230/460	10,30,33
44	528	1/2	40	GHM35040	1083	DS	27	3416M-H	TEFC	230/460	30,33
58	350	1/2	30	GHM35030	1083	DS	40	3416M-H	TEFC	230/460	30,33
58	550	3/4	30	GHM37530	1114	DS	42	3420M-H	TEFC	208-230/460	33
58	750	1	30	GHM31030	1114	DS	48	3426M-H	TEFC	208-230/460	33
87	200	1/2	20	GHM35020	1083	DS	40	3416M-H	TEFC	230/460	10,30,33
88	420	3/4	20	GHM37520	1114	DS	42	3420M-H	TEFC	208-230/460	33
88	550	1	20	GHM31020	1114	DS	45	3426M-H	TEFC	208-230/460	33
174	135	1/2	10	GHM35010	1083	DS	40	3416M-H	TEFC	230/460	30,33
175	230	3/4	10	GHM37510	1114	DS	42	3420M-H	TEFC	208-230/460	10,33
175	300	1	10	GHEM31010	1214	DS	45	3426M-H	TEFC	208-230/460	1,33

(a) Vertical motor below gearhead not recommended.

Avoiding those positions where the high speed oil seal is immersed in oil, will provide greater security against high speed input seal wear.

(b) See notes on inside back flap.

ATTENTION: Additional ratios, voltages, and ratings are available. Application specific modifications are common, such as custom shaft dimensions, addition of brakes or encoders, specific power cords, and washdown features. Contact your local Baldor representative for assistance.

H Gearbox Accessories



Baldor offers optional base and shaft kits for H style gearmotors. Adding a base and shaft kit allows them to be used in applications requiring a rightangle shaft extension. The shaft can be used for either right or left hand output applications.

Catalog Number	Description	List Price	Mult. Sym.	Ap'x. Shpg. Wgt.
B19H71	Horiz Base Kit	82	A8	1
SH10HS	Output Shaft Kit	26	A8	2
TA05HK	Torque Arm Kit	125	A8	2



GCP24114 Shown
PSSH Style

Features:

- Induction hardened helical and spur gears for efficient torque transmission
- Ball and needle bearing construction for increased torque and overhung load capabilities
- Permanently lubricated with synthetic oil for long service life
- Industry standard dimensions for ease of installation

Fixed Speed AC

Output RPM 50/60 Hz.	Max. Safe Torque In. lbs.	Input Hp	Ratio:1	OHL (lbs)	Catalog Number ^(a)	List Price	Mult. Sym.	Ap'x. Shpg. Wgt.	Motor Type & Gear Style	Enclosure	Voltage	Notes ^(b)	Drawing Number
Single Phase - Permanent Split Capacitor													
1/1.5	142	1/100	1320	125	GCP24369	595	DS	10	2408C-PSSH	TENV	115	19,20,78	2
2/2.5	144	1/100	720	125	GCP24702	595	DS	10	2408C-PSSH	TENV	115	10,19,20,78	2
4/5	142	1/80	320	125	GCP24362	567	DS	10	2412C-PSSH	TENV	115	19,20,78	2
8/9	144	1/80	180	125	GCP24186	567	DS	10	2412C-PSSH	TENV	115	10,19,20,78	2
8/9	120	1/40	180	125	GCP24114	567	DS	10	2412C-PSSH	TENV	115	19,20,78	2
13/16	120	1/20	100	125	GCP24100	561	DS	10	2416C-PSSH	TENV	115	19,20,78	2
15/18	120	1/25	90	125	GCP24122	567	DS	10	2416C-PSSH	TENV	115	19,20,78	2
18/22	120	1/20	75	125	GCP24072	561	DS	10	2416C-PSSH	TENV	115	10,19,20,78	2
23/27	81	1/25	60	125	GCP24124	561	DS	10	2416C-PSSH	TENV	115	19,20,78	1
27/33	103	1/20	50	125	GCP24050	561	DS	10	2416C-PSSH	TENV	115	10,19,20,78	1
35/42	77	1/20	38	125	GCP24037	561	DS	10	2416C-PSSH	TENV	115	10,19,20,78	1
45/55	84	1/12	30	125	GCP24134	561	DS	10	2424C-PSSH	TENV	115	19,20,78	1
54/65	54	1/20	25	100	GCP24026	542	DS	10	2416C-PSSH	TENV	115	10,19,20,78	1
68/83	56	1/12	20	125	GCP24136	540	DS	10	2424C-PSSH	TENV	115	19,20,78	1
82/98	30	1/20	16	100	GCP24017	542	DS	10	2416C-PSSH	TENV	115	19,20,78	1
90/109	43	1/12	15	100	GCP24138	540	DS	10	2424C-PSSH	TENV	115	19,20,78	1
107/128	25	1/20	13	100	GCP24013	542	DS	10	2416C-PSSH	TENV	115	10,19,20,78	1
135/162	20	1/20	10	100	GCP24010	542	DS	10	2416C-PSSH	TENV	115	10,19,20,78	1
136/163	29	1/12	10	100	GCP24140	540	DS	10	2424C-PSSH	TENV	115	19,20,78	1
208/250	13	1/20	7	100	GCP24007	542	DS	10	2416C-PSSH	TENV	115	10,19,20,78	1
270/325	10	1/20	5	100	GCP24005	542	DS	10	2416C-PSSH	TENV	115	10,19,20,78	1
272/326	14	1/12	5	100	GCP24142	540	DS	10	2424C-PSSH	TENV	115	19,20,78	1

Variable Speed AC

Output RPM 50/60 Hz.	Max. Safe Torque In. lbs.	Speed Range (CT)	Input Hp	Ratio:1	OHL (lbs)	Catalog ^(a) Number	List Price	Mult. Sym.	Ap'x. Shpg. Wgt.	Motor Type & Gear Style	Voltage	Notes ^(b)	Drawing Number
Three Phase - Inverter Duty													
10	144	3 - 15	1/25	180	125	IDGMP24180	613	E2	11	2412M-PSSH	230	77	3
19	144	6 - 29	1/15	90	125	IDGMP24090	613	E2	11	2416M-PSSH	230	77	3
29	130	9 - 42	1/15	60	125	IDGMP24060	595	E2	11	2416M-PSSH	230	77	3
58	125	18 - 83	1/8	30	125	IDGMP24030	595	E2	10	2424M-PSSH	230	77	3
86	142	28 - 128	1/4	20	100	IDGMP24020	561	E2	10	2524M-PSSH	230	77	3
172	86	56 - 251	1/4	10	100	IDGMP24010	561	E2	10	2524M-PSSH	230	77	3
345	44	112 - 503	1/4	5	100	IDGMP24005	561	E2	10	2524M-PSSH	230	77	3

(a) Vertical motor below gearhead not recommended.

Avoiding those positions where the high speed oil seal is immersed in oil, will provide greater security against high speed input seal wear.

(b) See notes on inside back flap.

ATTENTION: Additional ratios, voltages, and ratings are available. Application specific modifications are common, such as custom shaft dimensions, addition of brakes or encoders, specific power cords, and washdown features. Contact your local Baldor representative for assistance.

Definite Purpose Motors

Unit Handling Motors

Brake Motors

IEC Frame Motors

50 Hertz Motors

Inverter/Vector Motors & Controls

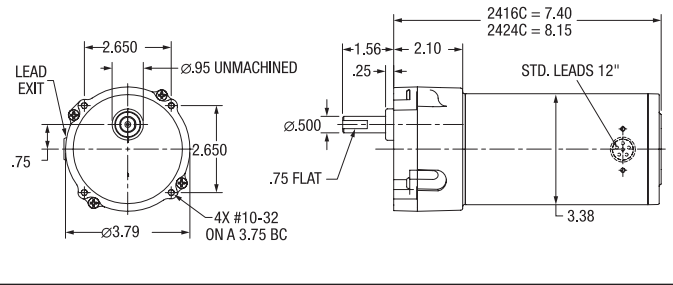
DC Motors and Controls

Gearmotors and Gear Products

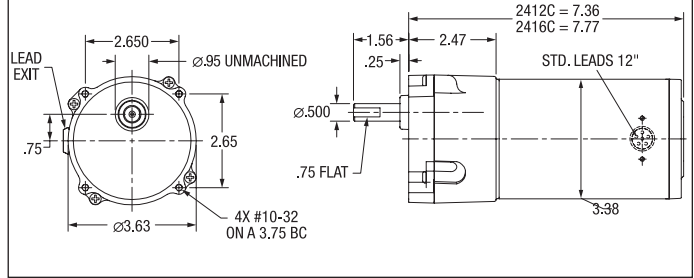
Motor Accessories

Grinders

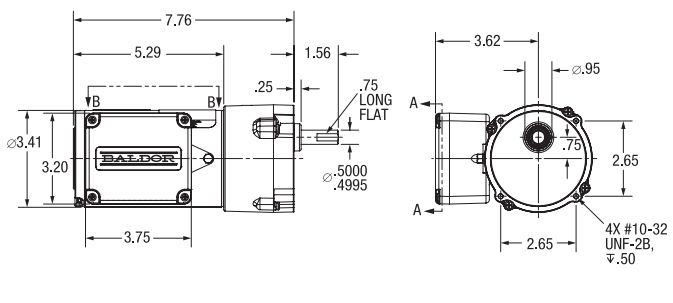
1. 24 - PSSH
2 & 3 STAGES



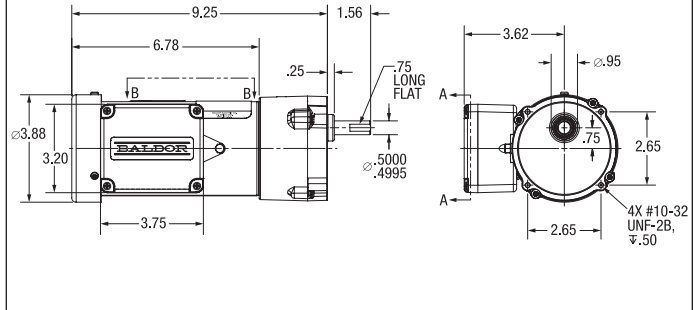
2. 24 - PSSH
4 & 5 STAGES



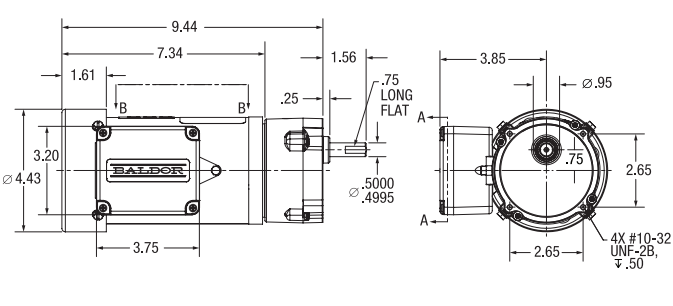
3. 24 - PSSH
4 STAGES



4. 24 - PSSH
3 STAGES



5. 25 - PSSH
2 STAGES



Permanent Magnet DC

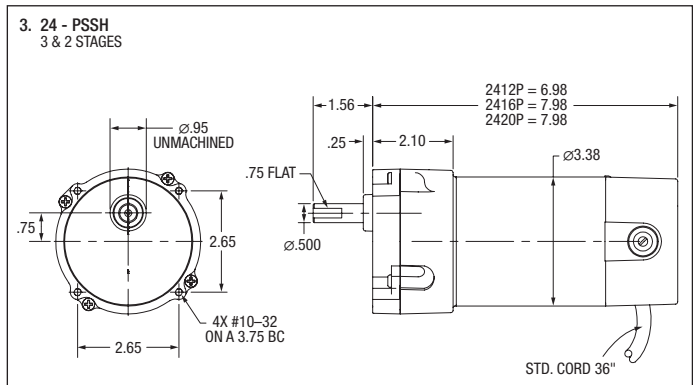
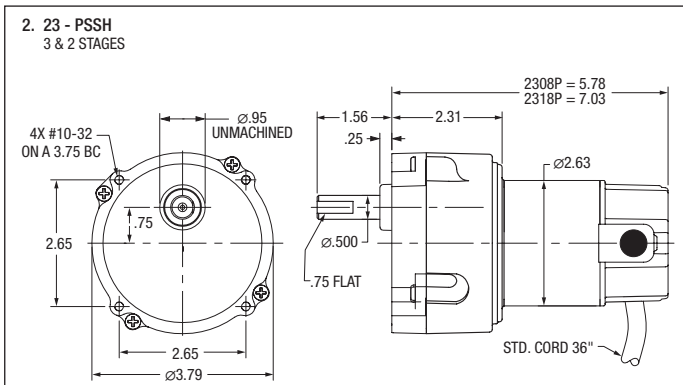
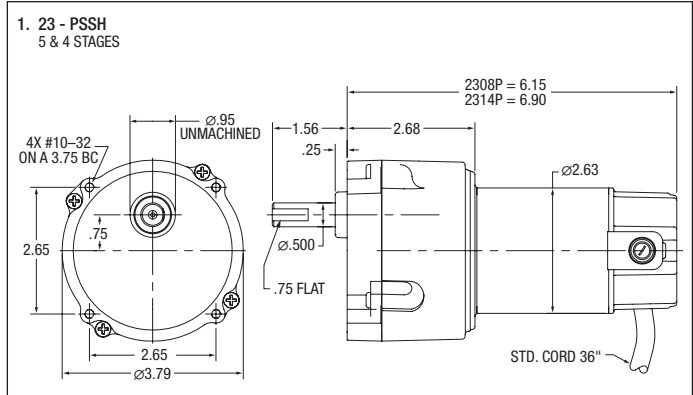
Output RPM 50/60 Hz.	Max. Safe Torque In. lbs.	Input Hp	Ratio:1	OHL (lbs)	Catalog Number ^(a)	List Price	Mult. Sym.	Ap'x. Shpg. Wgt.	Motor Type & Gear Style	Voltage D.C. Armature	Voltage	Notes ^(b)	Drawing Number
90 VDC													
10	100	1/40	180	125	GPP230186	552	DS	12	2308P-PSSH	90	0.30	10,20	1
9	100	1/45	180	125	GPP231108	552	DS	6	2308P-PSSH	90	0.30	20	1
13	100	1/40	135	125	GPP230139	552	DS	7	2308P-PSSH	90	0.30	20	1
19	118	1/21	90	125	GPP232110	552	DS	7	2314P-PSSH	90	0.50	20	1
25	100	1/20	75	125	GPP230072	542	DS	7	2318P-PSSH	90	0.60	10,20	1
29	40	1/50	60	125	GPP231109	542	DS	6	2308P-PSSH	90	0.30	20	2
30	100	1/20	60	125	GPP233112	542	DS	8	2318P-PSSH	90	0.50	20	2
43	112	1/12	60	125	GPP12505	542	DS	8	2412P-PSSH	90	0.90	20	3
58	83	1/12	44	125	GPP12504	542	DS	8	2412P-PSSH	90	0.90	20	3
49	55	1/20	38	125	GPP230037	542	DS	7	2318P-PSSH	90	0.60	10,20	1
60	50	1/17	30	125	GPP233111	542	DS	8	2318P-PSSH	90	0.50	20	2
71	40	1/20	25	100	GPP230025	537	DS	7	2318P-PSSH	90	0.60	20	2
115	43	1/12	22	100	GPP12503	537	DS	8	2412P-PSSH	90	0.90	20	3
95	30	1/20	20	100	GPP230019	537	DS	7	2318P-PSSH	90	0.60	20	2
120	10	1/35	20	100	GPP231110	537	DS	6	2308P-PSSH	90	0.20	20	2
125	39	1/12	20	100	GPP12502	537	DS	8	2412P-PSSH	90	0.90	20	3
139	20	1/20	13	100	GPP230013	537	DS	7	2318P-PSSH	90	0.60	10,20	2
185	15	1/20	10	100	GPP230010	537	DS	7	2318P-PSSH	90	0.60	10,20	2
250	20	1/12	10	100	GPP12501	537	DS	8	2412P-PSSH	90	0.90	20	3
269	11	1/20	7	100	GPP230007	537	DS	7	2318P-PSSH	90	0.60	20	2
359	8	1/20	5	100	GPP230005	537	DS	7	2318P-PSSH	90	0.60	10,20	2
180 VDC													
19	118	1/22	90	125	GPP233120	561	DS	8	2314P-PSSH	180	0.20	20	1
43	112	1/12	40	125	GPP12525	552	DS	11	2420P-PSSH	180	0.50	20	3
60	50	1/20	30	125	GPP233121	552	DS	8	2318P-PSSH	180	0.30	20	2
250	20	1/12	10	100	GPP12521	537	DS	9	2416P-PSSH	180	0.50	20	3

(a) Vertical motor below gearhead not recommended.

Avoiding those positions where the high speed oil seal is immersed in oil, will provide greater security against high speed input seal wear.

(b) See notes on inside back flap.

ATTENTION: Additional ratios, voltages, and ratings are available. Application specific modifications are common, such as custom shaft dimensions, addition of brakes or encoders, specific power cords, and washdown features. Contact your local Baldor representative for assistance.





GCP24232 Shown
PSM Style

Features:

- Induction hardened helical and spur gears for efficient torque transmission
- Ball and needle bearing construction for increased torque and overhung load capabilities
- Permanently lubricated with synthetic oil for long service life
- Industry standard dimensions for ease of installation
- Integral base mounting provisions for retro fit if needed

Fixed Speed AC

Output RPM 50/60 Hz.	Max. Safe Torque In. lbs.	Input Hp	Ratio:1	OHL (lbs)	Catalog Number ^(a)	List Price	Mult. Sym.	Ap'x. Shpg. Wgt.	Motor Type & Gear Style	Enclosure	Voltage	Notes ^(b)	Drawing Number
Single Phase - Permanent Split Capacitor													
15/18	237	1/15	90	130	GCP24232	647	DS	14	2424C-PSM	TENV	115	19,78	1
23/27	167	1/12	60	130	GCP24234	617	DS	14	2424C-PSM	TENV	115	19,78	1
Single Phase - Split Phase													
43/36	149	1/9	40	130	GCP25052	617	DS	14	2524S-PSM	TEFC	115	19	2
47/57	11	1/9	30	130	GCP25054	617	DS	14	2524S-PSM	TEFC	115	19	2
84/70	74	1/9	20	65	GCP25056	587	DS	14	2524S-PSM	TEFC	115	19	2
92/111	57	1/9	15	65	GCP25058	587	DS	14	2524S-PSM	TEFC	115	19	2
138/166	38	1/9	10	65	GCP25060	587	DS	14	2524S-PSM	TEFC	115	19	2
275/330	19	1/9	5	65	GCP25062	587	DS	14	2524S-PSM	TEFC	115	19	2

Variable Speed AC

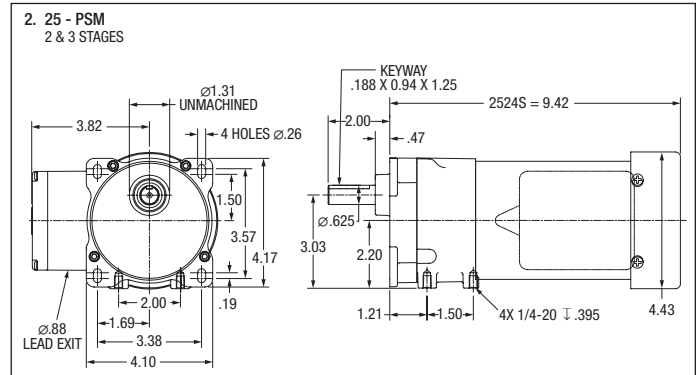
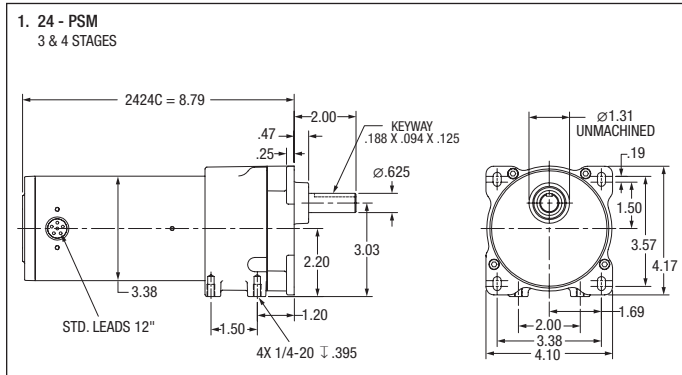
Output RPM 50/60 Hz.	Max. Safe Torque In. lbs.	Speed Range (CT)	Input Hp	Ratio:1	OHL (lbs)	Catalog Number ^(a)	List Price	Mult. Sym.	Ap'x. Shpg. Wgt.	Motor Type & Gear Style	Voltage	Notes ^(b)	Drawing Number
Three Phase - Inverter Duty													
10	184	3 - 14	1/25	180	130	IDGMP25181	729	E2	14	2412-PSM	230	77	3
19	176	6 - 29	1/15	90	130	IDGMP25091	729	E2	14	2416-PSM	230	77	3
29	204	9 - 42	1/15	60	130	IDGMP25061	698	E2	14	2424-PSM	230	77	3
58	230	19 - 84	1/8	30	130	IDGMP25031	698	E2	14	2524-PSM	230	77	3
86	162	28 - 126	1/4	20	65	IDGMP25021	698	E2	14	2524-PSM	230	77	3
172	86	56 - 251	1/4	10	65	IDGMP25011	667	E2	14	2524-PSM	230	77	3
345	44	112 - 503	1/4	5	65	IDGMP25006	667	E2	14	2524-PSM	230	77	3

(a) Vertical motor below gearhead not recommended.

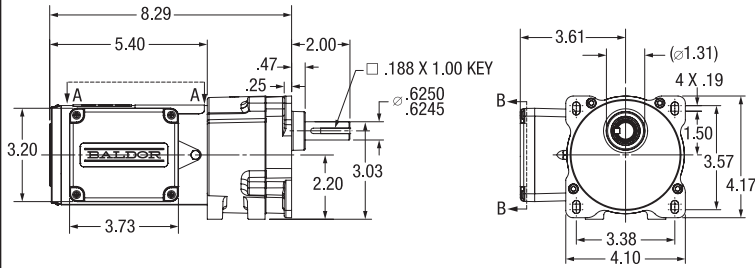
Avoiding those positions where the high speed oil seal is immersed in oil, will provide greater security against high speed input seal wear.

(b) See notes on inside back flap.

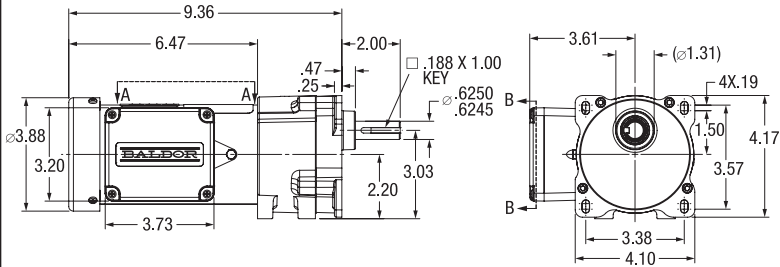
ATTENTION: Additional ratios, voltages, and ratings are available. Application specific modifications are common, such as custom shaft dimensions, addition of brakes or encoders, specific power cords, and washdown features. Contact your local Baldor representative for assistance.



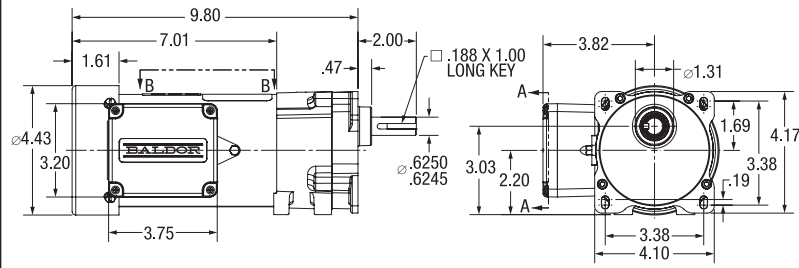
3. 24 - PSM
4 STAGES



4. 24 - PSM
3 STAGES



5. 25 - PSM
2 & 3 STAGES



Permanent Magnet DC

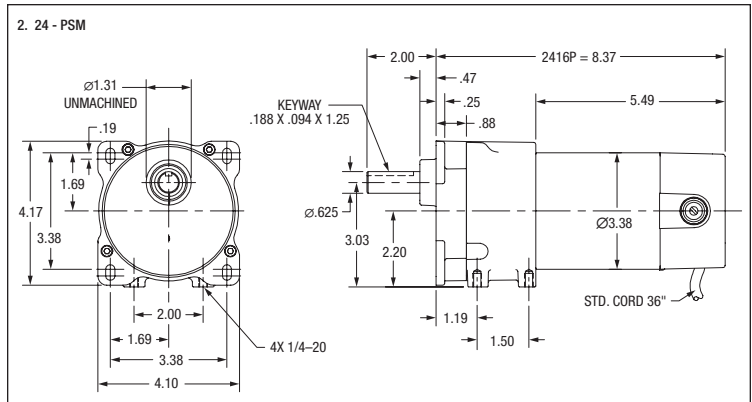
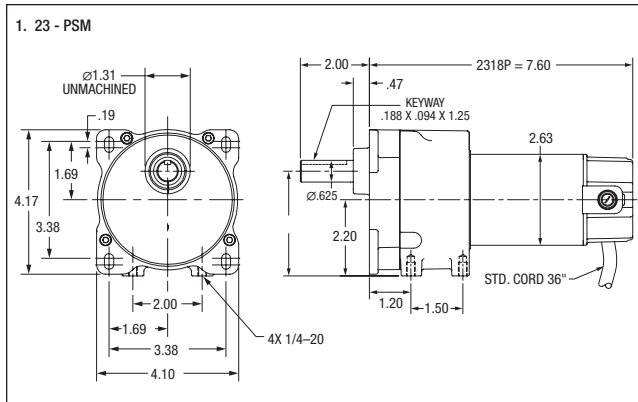
Output RPM 50/60 Hz.	Max. Safe Torque In. lbs.	Input Hp	Ratio:1	OHL (lbs)	Catalog Number ^(a)	List Price	Mult. Sym.	Ap'x. Shpg. Wgt.	Motor Type & Gear Style	Voltage D.C. Armature	Full Load Amperage Armature	Notes ^(b)	Drawing Number
90 VDC													
8	190	1/20	240	130	GPP231329	693	DS	7	2318P-PSM	90	0.50	10,20	1
15	197	1/16	120	130	GPP233141	693	DS	8	2318P-PSM	90	0.80	20	1
19	180	1/15	90	130	GPP233140	693	DS	10	2318P-PSM	90	0.50	20	1
30	174	1/8	80	130	GPP12556	694	DS	12	2416P-PSM	90	1.30	20	2
42	165	1/8	60	130	GPP12547	694	DS	12	2416P-PSM	90	1.30	20	2
34	85	1/20	50	130	GPP230053	675	DS	7	2318P-PSM	90	0.70	10,20	1
63	116	1/8	40	130	GPP12545	694	DS	12	2416P-PSM	90	1.30	20	2
83	90	1/8	30	130	GPP12544	694	DS	12	2416P-PSM	90	1.30	20	2
94	76	1/8	25	65	GPP12559	663	DS	12	2416P-PSM	90	1.30	20	2
94	160	1/4	25	65	GPP24019	726	DS	12	2428P-PSM	90	2.50	20	2
125	58	1/8	20	65	GPP12543	663	DS	12	2416P-PSM	90	1.30	20	2
167	45	1/8	15	65	GPP12542	663	DS	10	2416P-PSM	90	1.30	20	2
170	90	1/4	15	65	GPP24011	726	DS	12	2428P-PSM	90	2.50	20	2
250	30	1/8	10	65	GPP12541	663	DS	10	2416P-PSM	90	1.30	20	2
360	20	1/8	7	65	GPP12555	663	DS	12	2416P-PSM	90	1.30	10,20	2
360	40	1/4	7	65	GPP24005	726	DS	12	2428P-PSM	90	2.50	20	2
500	15	1/8	5	65	GPP12540	663	DS	10	2416P-PSM	90	1.30	20	2
180 VDC													
42	174	1/8	60	130	GPP12567	670	DS	11	2416P-PSM	180	0.70	20	2
83	87	1/8	30	130	GPP12564	670	DS	11	2416P-PSM	180	0.70	20	2
250	30	1/8	10	65	GPP12561	663	DS	11	2416P-PSM	180	0.70	20	2
500	15	1/8	5	65	GPP12560	663	DS	11	2416P-PSM	180	0.70	20	2

(a) Vertical motor below gearhead not recommended.

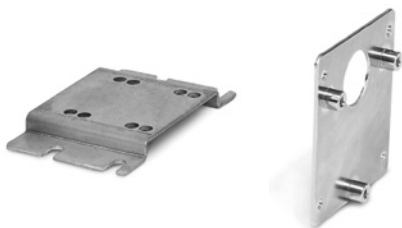
Avoiding those positions where the high speed oil seal is immersed in oil, will provide greater security against high speed input seal wear.

(b) See notes on inside back flap.

ATTENTION: Additional ratios, voltages, and ratings are available. Application specific modifications are common, such as custom shaft dimensions, addition of brakes or encoders, specific power cords, and washdown features. Contact your local Baldor representative for assistance.



PSM Mounting Adapters



B92 is a formed steel mounting base that bolts to the machined surface on bottom of the PSM gear box. Provides secure foot mounting of gearmotor and drop-in interchangeability with other major manufacturers.

B93 is a three point face mounting adapter. Provides interchangeability with other manufacturers.

Catalog Number	Description	List Price	Mult. Sym.	Ap'x. Shpg. Wgt.
B92	Foot Mount	49	A8	1
B93	3 Point Face Mount	87	A8	1



PSL Style

Features:

- Induction hardened helical and spur gears for efficient torque transmission
- Ball and needle bearing construction for increased torque and overhung load capabilities
- Permanently lubricated with synthetic oil for long service life
- Industry standard dimensions for ease of installation

Fixed Speed AC

Output RPM 50/60 Hz.	Max. Safe Torque In. lbs.	Input Hp	Ratio:1	OHL (lbs)	Catalog Number ^(a)	List Price	Mult. Sym.	Ap'x. Shpg. Wgt.	Motor Type & Gear Style	Enclosure	Voltage	Notes ^(b)	Drawing Number
Single Phase - Permanent Split Capacitor													
5/6	325	1/25	300	200	GCP24002	896	DS	15	2416C-PSL	TENV	115	19,20,78	1
6/8	369	1/6	225	200	GCP25216	896	DS	20	2520C-PSL	TEFC	115/230	19,20	2
8/9	235	1/25	180	200	GCP24004	896	DS	15	2416C-PSL	TENV	115	19,20,78	1
11/14	330	1/12	120	200	GCP24020	896	DS	15	2424C-PSL	TENV	115	19,20,78	1
14/17	450	1/6	100	200	GCP25102	881	DS	20	2524C-PSL	TEFC	115/230	10,19,20	2
15/18	250	1/12	90	200	GCP24022	896	DS	15	2424C-PSL	TENV	115	19,20,78	1
18/21	400	1/6	80	200	GCP25082	881	DS	20	2524C-PSL	TEFC	115/230	10,19,20	2
23/28	313	1/6	60	200	GCP25658	881	DS	20	2524C-PSL	TEFC	115/230	19,20	2
48/58	164	1/6	30	300	GCP3305	881	DS	20	2524C-PSLH	TEFC	115/230	19,20	2
71/86	112	1/6	20	300	GCP3310	849	DS	20	2524C-PSLH	TEFC	115/230	19,20	2
144/173	56	1/6	10	300	GCP3315	849	DS	20	2524C-PSLH	TEFC	115/230	19,20	2
Single Phase - Split Phase													
23/28	270	1/8	60	200	GCP25002	870	DS	18	2524S-PSL	TEFC	115	19,20	2
45/55	135	1/8	30	300	GCP25004	870	DS	18	2524S-PSL	TEFC	115	19,20	2
71/85	92	1/8	20	300	GCP25006	840	DS	18	2524S-PSL	TEFC	115	19,20	3
141/170	46	1/8	10	300	GCP25008	840	DS	17	2524S-PSL	TEFC	115	19,20	3
283/340	23	1/8	5	300	GCP25010	840	DS	18	2524S-PSL	TEFC	115	19,20	3
Single Phase - Capacitor Start Induction Run													
29	483	1/4	60	200	GLP3310	990	DS	25	3320L-PSLH	TEFC	115/208-230	33	5
35	438	1/3	50	300	GLP3328	990	DS	28	3324L-PSLH	TEFC	115/208-230	20,33	5
58	320	1/3	30	300	GLP3330	990	DS	25	3324L-PSLH	TEFC	115/208-230	20,33	5
86	218	1/3	20	300	GLP3332	931	DS	25	3324L-PSLH	TEFC	115/208-230	20,33	5
173	109	1/3	10	300	GLP3336	931	DS	27	3324L-PSLH	TEFC	115/208-230	20,33	5
345	55	1/3	5	300	GLP3338	931	DS	25	3324L-PSLH	TEFC	115/208-230	20,33	5
Single Phase - Capacitor Start Induction Run													
36/44	294	1/4	38	300	GLP25036	870	DS	16	2528LC-PSL	TEFC	115/230	10,19,20	7
45/55	250	1/4	30	300	GLP25029	870	DS	24	2528LC-PLS	TEFC	115/230	10,19,20	7
58	484	1/2	30	300	GLP3342	1044	DS	32	3328LC-PSL	TEFC	115/208-230	20,33	8
68/82	177	1/4	20	300	GLP25019	819	DS	24	2528LC-PSL	TEFC	115/230	10,19,20	7
88	326	1/2	20	300	GLP3344	985	DS	31	3328LC-PSL	TEFC	115/208-230	20,33	8
91/110	128	1/4	15	300	GLP25015	819	DS	21	2528LC-PSL	TEFC	115/230	19,20	7
117	245	1/2	15	300	GLP3346	985	DS	31	3328LC-PSL	TEFC	115/208-230	20,33	8
137/165	91	1/4	10	300	GLP25011	819	DS	21	2528LC-PSL	TEFC	115/230	10,19,20	7
175	164	1/2	10	300	GLP3348	985	DS	31	3328LC-PSL	TEFC	115/208-230	20,33	8
275/330	41	1/4	5	300	GLP25005	819	DS	24	2528LC-PSL	TEFC	115/230	10,19,20	7
Three Phase													
43	627	1/2	40	300	GMP3340	1,035	DS	27	3320M-PSLH	TEFC	208-230/460	33	6
57	320	1/3	30	300	GMP3330	1035	DS	27	3320M-PSLH	TEFC	208-230/460	33	6
58	484	1/2	30	300	GMP3342	1,035	DS	27	3320M-PSLH	TEFC	208-230/460	33	6
86	218	1/3	20	300	GMP3332	977	DS	27	3320M-PSLH	TEFC	208-230/460	33	6
86	326	1/2	20	300	GMP3344	977	DS	25	3320M-PSLH	TEFC	208-230/460	33	6
173	109	1/3	10	300	GMP3336	977	DS	25	3320M-PSLH	TEFC	208-230/460	33	6
173	164	1/2	10	300	GMP3348	977	DS	25	3320M-PSLH	TEFC	208-230/460	33	6
345	55	1/3	5	300	GMP3338	977	DS	24	3320M-PSLH	TEFC	208-230/460	33	6

(a) Vertical motor below gearhead not recommended.

Avoiding those positions where the high speed oil seal is immersed in oil, will provide greater security against high speed input seal wear.

(b) See notes on inside back flap.

ATTENTION: Additional ratios, voltages, and ratings are available. Application specific modifications are common, such as custom shaft dimensions, addition of brakes or encoders, specific power cords, and washdown features. Contact your local Baldor representative for assistance.

Definite Purpose Motors
Unit Handling Motors
Brake Motors
IEC Frame Motors
50 Hertz Motors
Inverter/Vector Motors & Controls
DC Motors and Controls
Gearmotors and Gear Products
Motor Accessories
Grinders

Variable Speed AC

Output RPM 50/60 Hz.	Max. Safe Torque In. lbs.	Speed Range (CT)	Input Hp	Ratio:1	OHL (lbs)	Catalog (a) Number	List Price	Mult. Sym.	Ap'x. Shpg. Wgt.	Motor Type & Gear Style	Voltage	Notes (b)	Drawing Number
Three Phase - Inverter Duty													
9	369	3 - 15	1/15	180	200	IDGMP25182	1059	E2	20	2512M-PSL	230	77	2
19	360	6 - 29	1/8	90	200	IDGMP25092	1059	E2	20	2516M-PSL	230	77	2
28	325	9 - 42	1/6	60	200	IDGMP25063	1044	E2	18	2516M-PSL	230	77	2
41	500	14 - 62	3/8	40	300	IDGMP25062	1037	E2	20	2528M-PSL	230	77	2
43	637	14 - 65	1/2	40	300	IDGMP25040	1037	E2	28	3324M-PSLH	230	77	4
56	247	19 - 84	1/4	30	300	IDGMP25033	1044	E2	18	2524M-PSL	230	77	2
55	350	18 - 83	3/8	30	300	IDGMP2505	1037	E2	20	2528M-PSL	230	77	2
57	482	19 - 86	1/2	30	300	IDGMP25032	1037	E2	28	3324M-PSLH	230	77	4
84	167	28 - 126	1/4	20	300	IDGMP25023	1025	E2	17	2524M-PSL	230	77	3
83	233	28 - 125	3/8	20	300	IDGMP2503	1012	E2	18	2528M-PSL	230	77	3
86	326	29 - 129	1/2	20	300	IDGMP25022	1012	E2	25	3324M-PSLH	230	77	4
115	245	38 - 173	1/2	15	300	IDGMP25015	1012	E2	25	3324M-PSLH	230	77	4
167	85	56 - 251	1/4	10	300	IDGMP25013	1025	E2	17	2524M-PSL	230	77	3
165	116	55 - 248	3/8	10	300	IDGMP2501	1012	E2	18	2528M-PSL	230	77	3
172	164	57 - 258	1/2	10	300	IDGMP25012	1012	E2	25	3324M-PSLH	230	77	4
335	44	112 - 503	1/4	5	300	IDGMP25008	1025	E2	17	2524M-PSL	230	77	3
330	58	110 - 495	3/8	5	300	IDGMP2500	1012	E2	18	2528M-PSL	230	77	3
345	82	115 - 518	1/2	5	300	IDGMP25007	1012	E2	25	3324M-PSLH	230	77	4

(a) Vertical motor below gearhead not recommended.

Avoiding those positions where the high speed oil seal is immersed in oil, will provide greater security against high speed input seal wear.

(b) See notes on inside back flap.

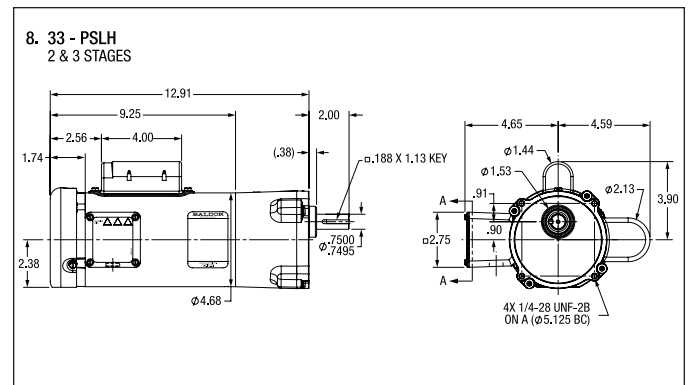
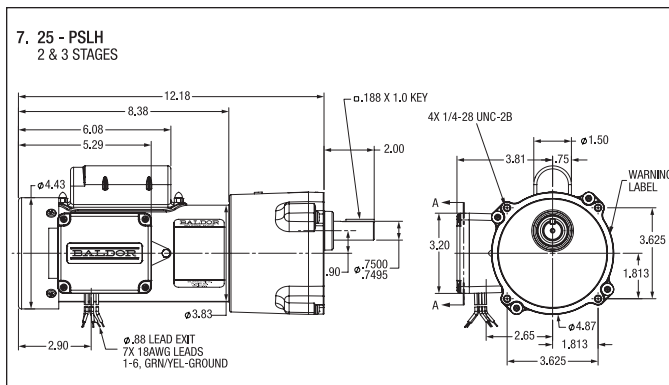
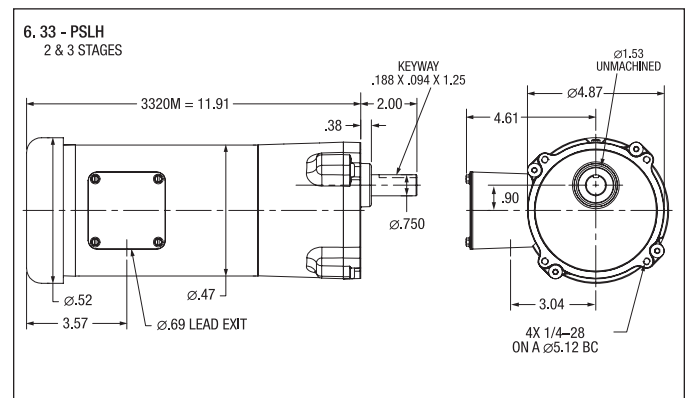
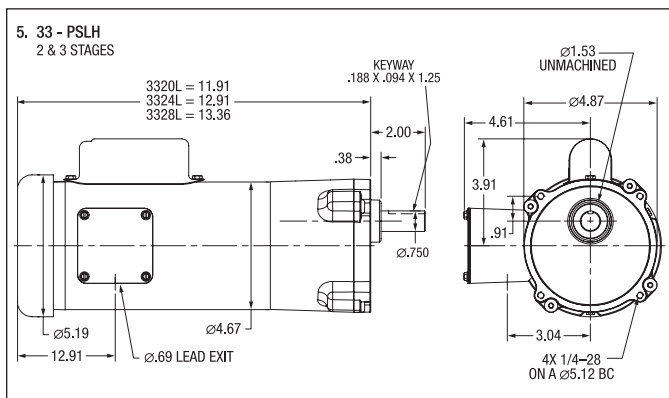
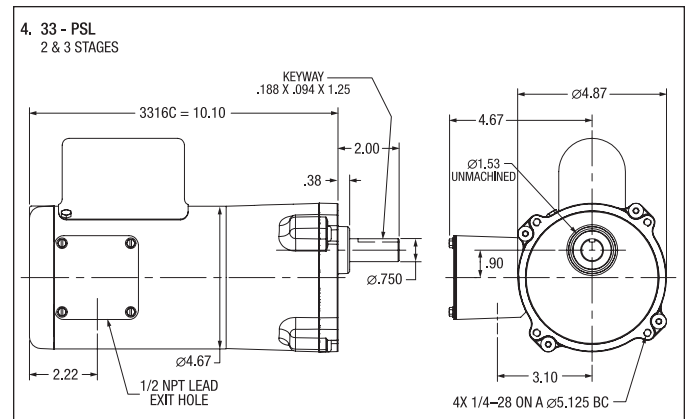
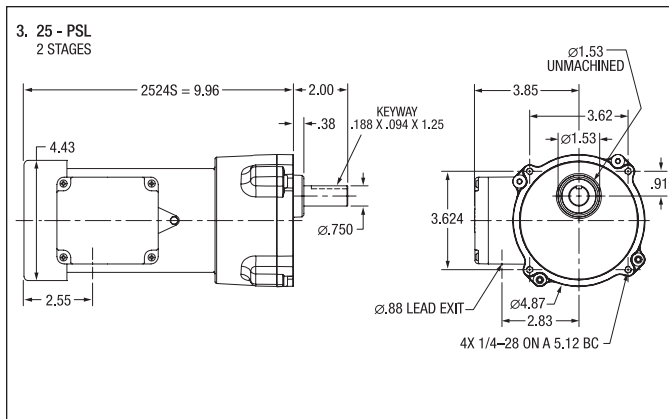
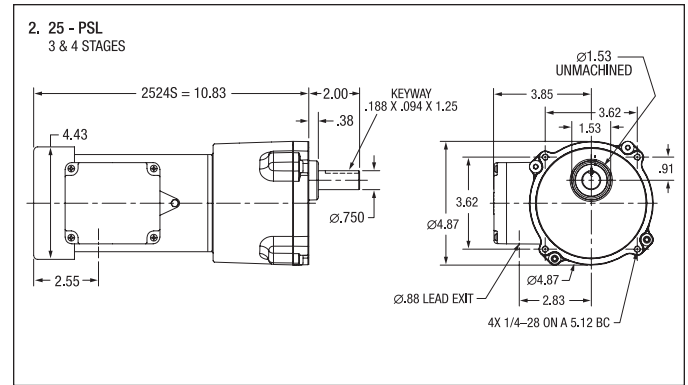
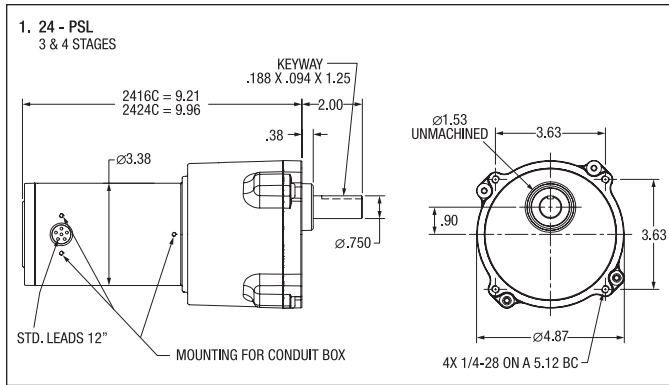
ATTENTION: Additional ratios, voltages, and ratings are available. Application specific modifications are common, such as custom shaft dimensions, addition of brakes or encoders, specific power cords, and washdown features. Contact your local Baldor representative for assistance.
See page 210 for matching AC Drives.

"L" Type Mounting Brackets



Applications: Mounting bracket for PSSH and PSL gearmotors. Securely mounts to gear face in 90 degree locations for floor, wall or ceiling mount. Catalog Number LB74 is not recommended for PSL/PSLH units weighing over 20 lbs. For units weighing more than 20 lbs. use Catalog Number LB75.

Catalog Number	Gearhead Style	List Price	Mult. Sym.	Color	Ap'x. Shpg. Wgt
LB73	PSSH	49	A8	Black	2
LB74	PSL	69	A8	Black	2
LB75	PSL/PSLH	96	A8	Black	7
LB73GR	PSSH	49	A8	Baldor Grey	2
LB74GR	PSL	69	A8	Baldor Grey	2
LB75GR	PSL/PSLH	96	A8	Baldor Grey	7



Definite Purpose Motors

Unit Handling Motors

Brake Motors

IEC Frame Motors

50 Hertz Motors

Inverter/Vector Motors & Controls

DC Motors and Controls

Gearmotors and Gear Products

Motor Accessories

Grinders

Definite Purpose Motors

Unit Handling Motors

Brake Motors

IEC Frame Motors

50 Hertz Motors

Inverter/Vector Motors & Controls

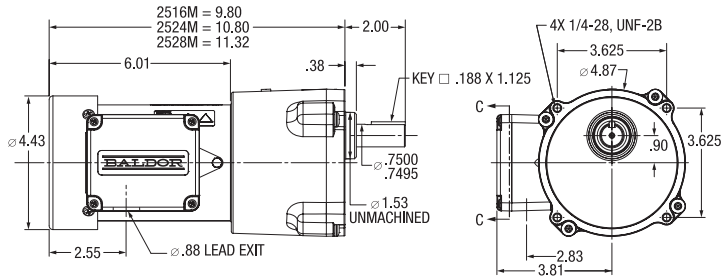
DC Motors and Controls

Gearmotors and Gear Products

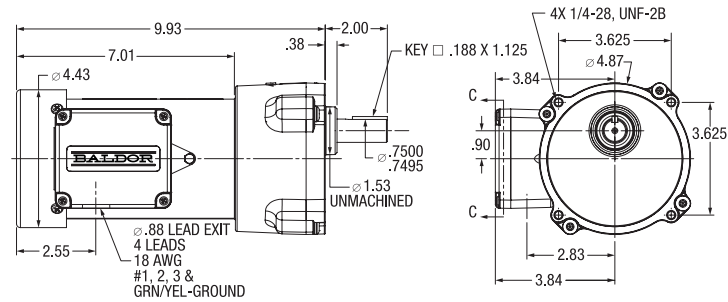
Motor Accessories

Grinders

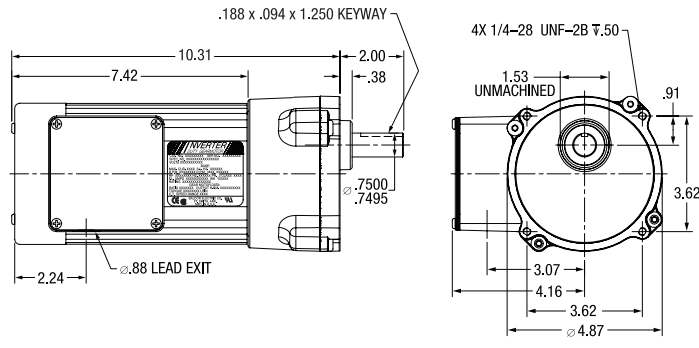
9. 25 - PSLH
3 & 4 STAGES



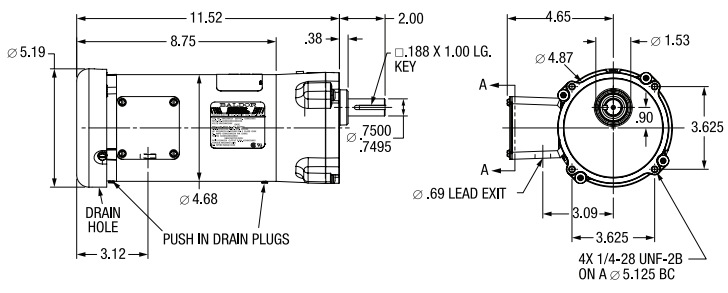
10. 25 - PSL
3 STAGES



11. 25 - PSL
ALUMINUM FRAME



12. 33 - PSL
2 STAGES



Permanent Magnet DC

Output RPM 50/60 Hz.	Max. Safe Torque In. lbs.	Input Hp	Ratio:1	OHL (lbs)	Catalog Number ^(a)	List Price	Mult. Sym.	Ap'x. Shpg. Wgt.	Motor Type & Gear Style	Voltage D.C. Armature	Full Load Amperage Armature	Notes ^(b)	Drawing Number
90 VDC													
8	330	1/8	300	200	GPP7459	875	DS	13	2416P-PSL	90	1.30	20	1
10	330	1/8	240	200	GPP7462	875	DS	13	2416P-PSL	90	1.30	20	1
14	365	1/4	180	200	GPP7458	875	DS	15	2424P-PSL	90	2.50	20	1
21	365	1/4	120	200	GPP7457	875	DS	15	2424P-PSL	90	2.50	20	1
28	390	1/4	90	200	GPP7461	875	DS	15	2424P-PSL	90	2.50	20	1
42	280	1/4	60	200	GPP7456	840	DS	14	2424P-PSL	90	2.50	20	1
50	250	1/4	50	200	GPP7460	840	DS	14	2424P-PSL	90	2.50	20	1
62	200	1/4	40	300	GPP7455	840	DS	14	2424P-PSL	90	2.50	20	1
83	150	1/4	30	300	GPP7454	840	DS	14	2424P-PSL	90	2.50	20	1
58	320	1/3	30	300	GPP2530	1,146	DS	24	2532P-PSLH	90	3.20	20	3
83	337	1/2	30	300	GPP3340	1,288	DS	31	3327P-PSLH	90	5.00	20	4
125	100	1/4	20	300	GPP7453	772	DS	13	2424P-PSL	90	2.50	20	2
165	75	1/4	15	300	GPP7452	772	DS	13	2424P-PSL	90	2.50	20	2
113	164	1/3	15	300	GPP2534	1,091	DS	24	2532P-PSLH	90	3.20	20	3
167	171	1/2	15	300	GPP3344	1,232	DS	31	3327P-PSLH	90	5.00	20	4
250	50	1/4	10	300	GPP7451	772	DS	13	2424P-PSL	90	2.50	20	2
500	25	1/4	5	300	GPP7450	772	DS	13	2424P-PSL	90	2.50	20	2
345	55	1/3	5	300	GPP2538	1,091	DS	24	2532P-PSLH	90	3.20	20	3
500	57	1/2	5	300	GPP3348	1,232	DS	31	3327P-PSLH	90	5.00	20	4
180 VDC													
8	330	1/8	300	200	GPP7479	875	DS	14	2416P-PSL	180	0.70	20	1
14	365	1/4	180	200	GPP7478	875	DS	17	2424P-PSL	180	1.30	20	1
21	365	1/4	120	200	GPP7477	875	DS	15	2424P-PSL	180	1.30	20	1
42	280	1/4	60	200	GPP7476	840	DS	14	2424P-PSL	180	1.30	20	1
62	200	1/4	40	300	GPP7475	840	DS	14	2424P-PSL	180	1.30	20	1
83	155	1/4	30	300	GPP7474	840	DS	14	2424P-PSL	180	1.30	20	1
58	320	1/3	30	300	GPP3370	1,288	DS	31	3327P-PSLH	180	1.60	20	4
83	337	1/2	30	300	GPP3380	1,288	DS	31	3327P-PSLH	180	2.40	20	4
125	100	1/4	20	300	GPP7473	772	DS	13	2424P-PSL	180	1.30	20	2
165	75	1/4	15	300	GPP7472	772	DS	13	2424P-PSL	180	1.30	20	2
115	164	1/3	15	300	GPP3374	1,232	DS	31	3327P-PSLH	180	1.60	20	4
167	171	1/2	15	300	GPP3384	1,232	DS	31	3327P-PSLH	180	2.40	20	4
250	50	1/4	10	300	GPP7471	772	DS	13	2424P-PSL	180	1.30	20	2
500	25	1/4	5	300	GPP7470	772	DS	13	2424P-PSL	180	1.30	20	2
345	55	1/3	5	300	GPP3378	1,232	DS	31	3327P-PSLH	180	1.60	20	4
500	57	1/2	5	300	GPP3388	1,232	DS	31	3327P-PSLH	180	2.40	20	4

(a) Vertical motor below gearhead not recommended.

Avoiding those positions where the high speed oil seal is immersed in oil, will provide greater security against high speed input seal wear.

(b) See notes on inside back flap.

ATTENTION: Additional ratios, voltages, and ratings are available. Application specific modifications are common, such as custom shaft dimensions, addition of brakes or encoders, specific power cords, and washdown features. Contact your local Baldor representative for assistance.

“L” Type Mounting Brackets



Applications: Mounting bracket for PSSH and PSL gearmotors. Securely mounts to gear face in 90 degree locations for floor, wall or ceiling mount. Catalog Number LB74 is not recommended for PSL/PSLH units weighing over 20 lbs. For units weighing more than 20 lbs. use Catalog Number LB75.

Catalog Number	Gearhead Style	List Price	Mult. Sym.	Color	Ap'x. Shpg. Wgt
LB73	PSSH	49	A8	Black	2
LB74	PSL	69	A8	Black	2
LB75	PSL/PSLH	96	A8	Black	7
LB73GR	PSSH	49	A8	Baldor Grey	2
LB74GR	PSL	69	A8	Baldor Grey	2
LB75GR	PSL/PSLH	96	A8	Baldor Grey	7

Definite Purpose Motors

Unit Handling Motors

Brake Motors

IEC Frame Motors

50 Hertz Motors

Inverter/Vector Motors & Controls

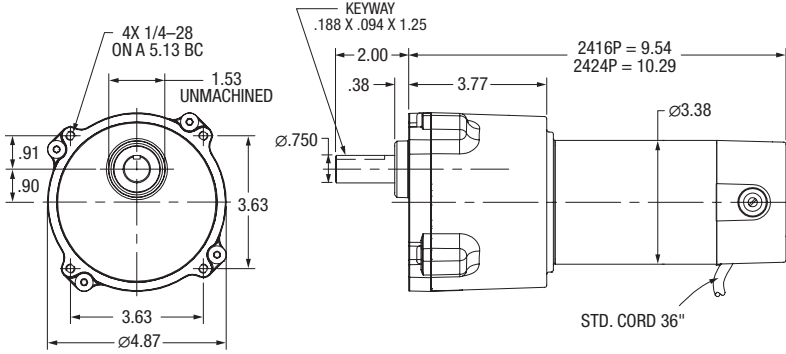
DC Motors and Controls

Gearmotors and Gear Products

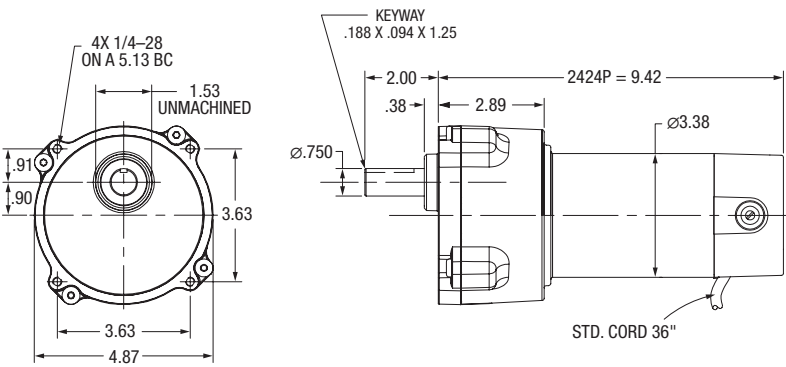
Motor Accessories

Grinders

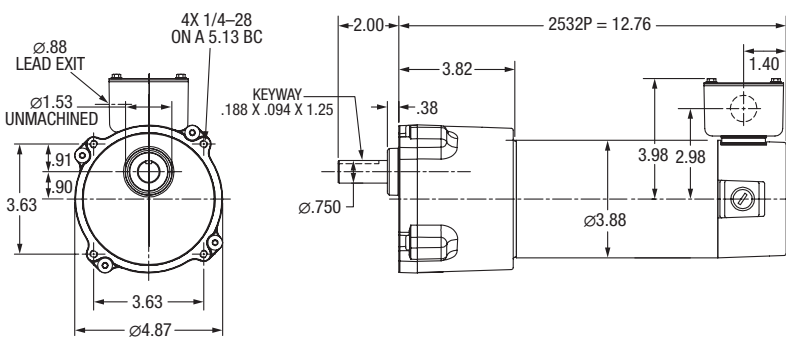
1. 24 - PSL 3 & 4 STAGES



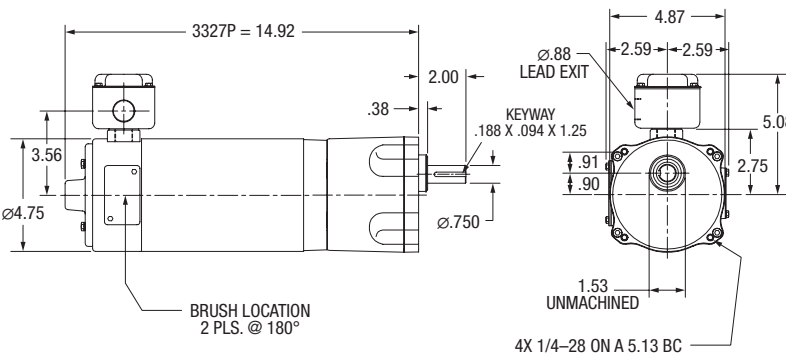
2. 24 - PSL 2 STAGES



3. 25 - PSLH 3 & 2 STAGES



4. 33 - PSLH 2 & 3 STAGES





Features:

- Induction hardened helical and spur gears for efficient torque transmission
- All needle bearing construction for increased torque and overhung load capabilities
- Baldor exclusive needle bearing oiling channels provide increased bearing life
- Permanently lubricated with synthetic oil for long service life
- Industry standard dimensions for ease of installation

Fixed Speed AC

Output RPM 50/60 Hz.	Max. Safe Torque In. lbs.	Input Hp	Ratio:1	OHL (lbs)	Catalog ^(a) Number	List Price	Mult. Sym.	Ap'x. Shpg. Wgt.	Motor Type & Gear Style	Voltage	Notes ^(b)	Drawing Number
Single Phase - Split Phase												
5	1092	1/6	316	502	GCP12316	1,008	DS	26	3414S-PS12	115/230	19,20	
8	1092	1/6	210	545	GCP12210	1,008	DS	26	3414S-PS12	115/230	19,20	
12	1092	1/4	145	442	GCP12145	1,021	DS	28	3418S-PS12	115/230	19,20	
18	815	1/4	96	395	GCP12096	1,021	DS	28	3418S-PS12	115/230	19,20	
21	690	1/4	82	285	GCP12082	1,021	DS	28	3418S-PS12	115/230	19,20	
40	490	1/3	44	339	GCP12044	1,012	DS	28	3421S-PS12	115/230	19,20	
60	509	1/2	29	326	GCP12029	1,103	DS	30	3424S-PS12	115/230	19,20	
92	327	1/2	19	311	GCP12019	1,103	DS	30	3424S-PS12	115/230	19,20	
131	229	1/2	13	292	GCP12013	1,103	DS	30	3424S-PS12	115/230	19,20	
156	192	1/2	11	282	GCP12011	1,103	DS	30	3424S-PS12	115/230	19,20	
284	105	1/2	6	245	GCP12006	1,103	DS	30	3424S-PS12	115/230	19,20	
Three Phase												
12	1092	1/4	145	442	GMP12145	1100	DS	35	3416M-PS12	208-230/460	33	
18	1076	1/3	96	395	GMP12096	1100	DS	35	3416M-PS12	208-230/460	33	
21	911	1/3	82	285	GMP12082	1100	DS	35	3416M-PS12	208-230/460	33	
40	742	1/2	44	339	GMP12044	1,143	DS	40	3420M-PS12	208-230/460	33	
60	509	1/2	29	326	GMP12029	1,143	DS	40	3420M-PS12	208-230/460	33	
92	327	1/2	19	311	GMP12019	1,143	DS	40	3420M-PS12	208-230/460	33	
131	229	1/2	13	292	GMP12013	1,143	DS	40	3420M-PS12	208-230/460	33	
156	192	1/2	11	282	GMP12011	1,143	DS	40	3420M-PS12	208-230/460	33	
284	105	1/2	6	245	GMP12006	1,143	DS	40	3420M-PS12	208-230/460	33	

Variable Speed AC

Output RPM 50/60 Hz.	Max. Safe Torque In. lbs.	Speed Range (CT)	Input Hp	Ratio:1	OHL (lbs)	Catalog ^(a) Number	List Price	Mult. Sym.	Ap'x. Shpg. Wgt.	Motor Type & Gear Style	Voltage	Notes ^(b)	Drawing Number
Three Phase - Inverter Duty													
12	1092	4 - 18	1/4	145	442	IDGMP12145	1,265	E2	35	3416M-PS12	230	33	
18	1076	6 - 27	1/3	96	395	IDGMP12096	1,265	E2	35	3416M-PS12	230	33	
21	911	7 - 32	1/3	82	285	IDGMP12082	1,265	E2	35	3416M-PS12	230	33	
40	742	13 - 59	1/2	44	339	IDGMP12044	1,314	E2	40	3420M-PS12	230	33	
60	509	20 - 89	1/2	29	326	IDGMP12029	1,314	E2	40	3420M-PS12	230	33	
92	327	30 - 135	1/2	19	311	IDGMP12019	1,314	E2	40	3420M-PS12	230	33	
131	229	44 - 198	1/2	13	292	IDGMP12013	1,314	E2	40	3420M-PS12	230	33	
156	192	52 - 234	1/2	11	282	IDGMP12011	1,314	E2	40	3420M-PS12	230	33	
284	105	96 - 430	1/2	6	245	IDGMP12006	1,314	E2	40	3420M-PS12	230	33	

(a) Vertical motor below gearhead not recommended.

Avoiding those positions where the high speed oil seal is immersed in oil, will provide greater security against high speed input seal wear.

(b) See notes on inside back flap.

ATTENTION: Additional ratios, voltages, and ratings are available. Application specific modifications are common, such as custom shaft dimensions, addition of brakes or encoders, specific power cords, and washdown features. Contact your local Baldor representative for assistance.

Red Catalog Number indicates **NEW** Product.

Define Purpose
Motors

Unit Handling
Motors

Brake Motors

IEC Frame
Motors

50 Hertz
Motors

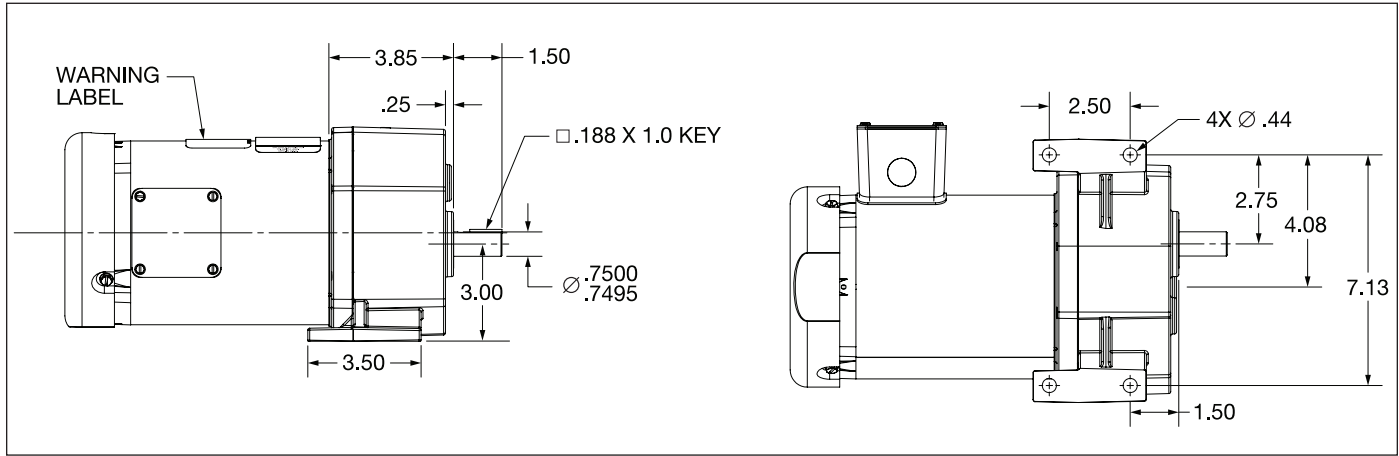
Inverter/Vector
Motors & Controls

DC Motors
and Controls

Gearmotors and
Gear Products

Motor
Accessories

Grinders



Permanent Magnet DC

Output RPM 50/60 Hz.	Max. Safe Torque In. lbs.	Input Hp	Ratio:1	OHL (lbs)	Catalog (a) Number	List Price	Mult. Sym.	Ap'x. Shpg. Wgt.	Motor Type & Gear Style	Voltage D.C. Armature	Full Load Amperage Armature	Notes (b)	Drawing Number
90 VDC													
9	1092	1/6	284	403	GPP129284	1,192	DS	35	XXXXP-PS12	90	1.80	20	
14	934	1/4	173	456	GPP129173	1,206	DS	36	XXXXP-PS12	90	2.50	20	
20	666	1/4	123	460	GPP129123	1,206	DS	36	XXXXP-PS12	90	2.50	20	
43	317	1/4	60	427	GPP129060	1,206	DS	36	XXXXP-PS12	90	2.50	20	
62	231	1/4	40	424	GPP129040	1,176	DS	36	XXXXP-PS12	90	2.50	20	
93	153	1/4	27	357	GPP129027	1,176	DS	36	XXXXP-PS12	90	2.50	20	
148	96	1/4	17	285	GPP129017	1,176	DS	36	XXXXP-PS12	90	2.50	20	
180 VDC													
9	1092	1/6	284	403	GPP128284	1,192	DS	35	XXXXP-PS12	180	1.00	20	
14	934	1/4	173	456	GPP128173	1,206	DS	36	XXXXP-PS12	180	1.30	20	
20	666	1/4	123	460	GPP128123	1,206	DS	36	XXXXP-PS12	180	1.30	20	
43	317	1/4	60	427	GPP128060	1,206	DS	36	XXXXP-PS12	180	1.30	20	
62	231	1/4	40	424	GPP128040	1,176	DS	36	XXXXP-PS12	180	1.30	20	
93	153	1/4	27	357	GPP128027	1,176	DS	36	XXXXP-PS12	180	1.30	20	
148	96	1/4	17	285	GPP128017	1,176	DS	36	XXXXP-PS12	180	1.30	20	

(a) Vertical motor below gearhead not recommended.

Avoiding those positions where the high speed oil seal is immersed in oil, will provide greater security against high speed input seal wear.

(b) See notes on inside back flap.

ATTENTION: Additional ratios, voltages, and ratings are available. Application specific modifications are common, such as custom shaft dimensions, addition of brakes or encoders, specific power cords, and washdown features. Contact your local Baldor representative for assistance.

Definite Purpose Motors

Unit Handling Motors

Brake Motors

IEC Frame Motors

50 Hertz Motors

Inverter/Vector Motors & Controls

DC Motors and Controls

Gearmotors and Gear Products

Motor Accessories

Grinders

**H50 – Right Angle Hollow Shaft –
Worm Gear Reducer**

1.97 thru 50mm CD

Definite Purpose
Motors

Unit Handling
Motors

Brake Motors

IEC Frame
Motors

50 Hertz
Motors

Inverter/Vector
Motors & Controls

DC Motors
and Controls

Gearmotors and
Gear Products

Motor
Accessories

Grinders

337



H50 Style

Features:

- Oversized output bearings
- Bronze gearing
- Hardened and ground worm
- Internal oil expansion bladder
- Synthetic gear oil lubrication

Applications:

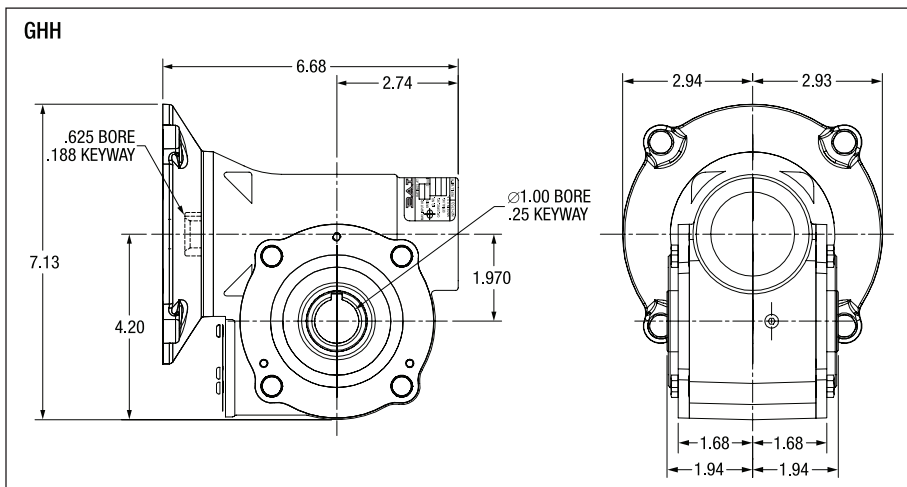
- Conveyors
- Material handling equipment
- Packaging machinery
- Machine tool

Nominal Output RPM @ 1750 RPM In	Gear Ratio	Continuous Duty Output Torque (In-lbs) Based on 1750 RPM Motor						Max Input Hp	Max Output Torque Rating In-lbs	Style Number	Catalog Number	List Price	Mult. Sym.	Ap'x Shpg. Wgt.	
		0.25	0.33	0.5	0.75	1	1.5								2
350	5:1					156	235	315	2.57	435	HF-H-05-H100	GHH0556	641	GB	11
175	10:1				230	300	450		1.88	600	HF-H-10-H100	GHH1056	641	GB	11
117	15:1			176	263	350			1.37	483	HF-H-15-H100	GHH1556	641	GB	11
88	20:1			275	394	550			1	550	HF-H-20-H100	GHH2056	641	GB	11
70	25:1		240	350	529				.83	583	HF-H-25-H100	GHH2556	641	GB	11
58	30:1		247	350	550				.76	562	HF-H-30-H100	GHH3056	641	GB	11
44	40:1	268	345	528					.64	672	HF-H-40-H100	GHH4056	641	GB	11
35	50:1	310	400	609					.56	685	HF-H-50-H100	GHH5056	641	GB	11
29	60:1	300	418	600					.5	600	HF-H-60-H100	GHH6056	641	GB	11

NOTE: Service Class I Torque Ratings (1.0 Service Factor)
 Service Class II Torque Ratings (≥ 1.4 Service Factor)
 Service Class III Torque Ratings (≥ 2.0 Service Factor)

ATTENTION: Additional ratios, ratings and mounting configurations are available. Need a fully assembled gearmotor? Have your reducer and motor coupled by utilizing M34D from the Baldor Mod Express section. Please contact your local Baldor representative for assistance.

Vertical motor below gearhead not recommended.
 Avoiding those positions where the high speed oil seal is immersed in oil, will provide greater security against high speed input seal wear.
 Replacement oil – 1 Qt P/N MJ0006A05SP (Klubersynth UH1-6-460)



H Gearbox Accessories

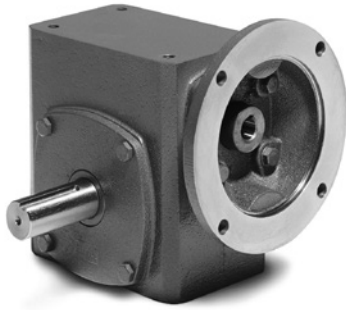


Baldor offers optional base and shaft kits for H style gearmotors. Adding a base and shaft kit allows them to be used in applications requiring a rightangle shaft extension. The shaft can be used for either right or left hand output applications.

Catalog Number	Description	List Price	Mult. Sym.	Ap'x. Shpg. Wgt.
B19H71	Horiz Base Kit	82	A8	1
SH10HS	Output Shaft Kit	26	A8	2
TA05HK	Torque Arm Kit	125	A8	2

900 Series – Right Angle – Quill Type – Solid Shaft

1.33 thru 3.75 CD



Features:

- Heavy duty cast iron construction
- Bronze gearing
- Tapered roller bearings on output
- Industry-standard mounting
- Food grade synthetic gear oil
- Vent-free housing prevents contamination

Applications:

- Conveyors
- Material handling
- Textile machines
- Packaging machinery
- Metering pumps

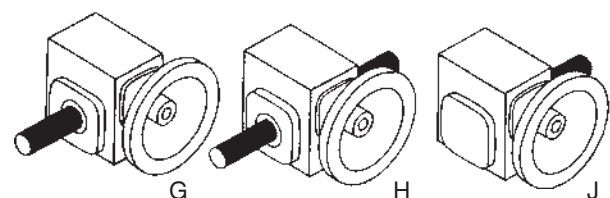
Nominal Output RPM @ 1750 RPM In	Gear Ratio	Continuous Duty Output Torque (In-lbs) Based on 1750 RPM Motor										Max Input Hp	Max Output Torque Rating In-lbs	NEMA Motor Mount	Style Number	Catalog Number	List Price	Mult. Sym.	Ap'x Shpg. Wgt.	
		0.25	0.33	0.5	0.75	1	1.5	2	3	5	7.5									10
350	5:1			75	112	149							1.11	165	56C	F-913-05-B5-G	GF0513AG	504	GB	20
				75	112	149							1.11	165	56C	F-913-05-B5-J	GF0513AJ	504	GB	20
					115	154	231						1.50	231	56C	F-915-05-B5-G	GF0515AG	539	GB	25
					115	154	231						1.50	231	140TC	F-915-05-B7-G	GF0515BG	539	GB	25
					115	154	231						1.50	231	56C	F-915-05-B5-H	GF0515AH	571	GB	25
						160	240	320					2.00	320	56C	F-918-05-B5-G	GF0518AG	552	GB	30
						160	240	320					2.00	320	140TC	F-918-05-B7-G	GF0518BG	552	GB	30
							246	327	491				3.14	514	140TC	F-921-05-B7-G	GF0521BG	691	GB	35
							246	327	491				3.14	514	140TC	F-921-05-B7-J	GF0521BJ	691	GB	35
								339	507				4.17	705	180TC	F-924-05-B9-G	GF0524CG	815	GB	49
								339	508	847			5.43	919	180TC	F-926-05-B9-G	GF0526CG	945	GB	59
		175	10:1																	
				82	125	187							0.90	225	56C	F-913-10-B5-G	GF1013AG	504	GB	20
				82	125	187							0.90	225	56C	F-913-10-B5-J	GF1013AJ	504	GB	20
				82	125	187							0.90	225	56C	F-913-10-B5-H	GF1013AH	533	GB	20
					141	211	282						1.03	290	56C	F-915-10-B5-G	GF1015AG	539	GB	26
					141	211	282						1.03	290	140TC	F-915-10-B7-G	GF1015BG	539	GB	20
					141	211	282						1.03	290	56C	F-915-10-B5-H	GF1015AH	571	GB	25
						214	285	428					1.50	428	56C	F-918-10-B5-G	GF1018AG	552	GB	30
						214	285	428					1.50	428	56C	F-918-10-B5-J	GF1018AJ	552	GB	30
						214	285	428					1.50	428	56C	F-918-10-B5-H	GF1018AH	585	GB	29
						214	285	428					1.50	428	140TC	F-918-10-B7-G	GF1018BG	552	GB	30
							312	468	624				2.02	630	56C	F-921-10-B5-G	GF1021AG	691	GB	35
					312	468	624				2.02	630	56C	F-921-10-B5-J	GF1021AJ	691	GB	35		
					312	468	624				2.02	630	56C	F-921G-10-B5-G	GF10G21AG	691	GB	30		

NOTE: Service Class I Torque Ratings (1.0 Service Factor)
 Service Class II Torque Ratings (≥ 1.4 Service Factor)
 Service Class III Torque Ratings (≥ 2.0 Service Factor)

Vertical motor below gearhead not recommended.
 Avoiding those positions where the high speed oil seal is immersed in oil, will provide greater security against high speed input seal wear.
 Replacement oil – 1 Qt P/N MJ0006A05SP (Klubersynth UH1-6-460)

ATTENTION: Additional ratios, ratings and mounting configurations are available.
 Need a fully assembled gearmotor? Have your reducer and motor coupled by utilizing M34D from the Baldor Mod Express section.
 Please contact your local Baldor representative for assistance.

Assembly Types



900 Series – Right Angle – Quill Type – Solid Shaft continued...

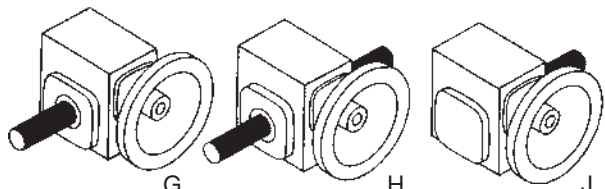
Nominal Output RPM @ 1750 RPM In	Gear Ratio	Continuous Duty Output Torque (In-lbs) Based on 1750 RPM Motor									Max Input Hp	Max Output Torque Rating In-lbs	NEMA Motor Mount	Style Number	Catalog Number	List Price	Mult. Sym.	Ap'x Shpg. Wgt.		
		0.25	0.33	0.5	0.75	1	1.5	2	3	5									7.5	
175	10:1					312	468	624				2.02	630	56C	F-921-10-B5-H	GF1021AH	728	GB	35	
						312	468	624				2.02	630	140TC	F-921-10-B7-G	GF1021BG	691	GB	35	
						317	475	634				2.73	893	140TC	F-924-10-B7-G	GF1024BG	815	GB	40	
									655	983			3.59	1177	140TC	F-926-10-B7-G	GF1026BG	945	GB	52
									655	983			3.59	1177	180TC	F-926-10-B9-G	GF1026CG	945	GB	60
								641	961	1602			5.48	1755	180TC	F-930-10-B9-G	GF1030CG	1,285	GB	72
									990	1649			6.36	2106	180TC	F-932-10-B9-G	GF1032CG	1,393	GB	97
							963	1604	2407		9.05	2905	210TC	F-938-10-B11-G	GF1038DG	1,701	GB	126		
117	15:1	89	118	179								0.66	225	56C	F-913-15-B5-G	GF1513AG	504	GB	20	
		89	118	179								0.66	225	56C	F-913-15-B5-J	GF1513AJ	504	GB	20	
		89	118	179								0.66	225	56C	F-913-15-B5-H	GF1513AH	533	GB	20	
			127	193	289								0.81	312	56C	F-915-15-B5-G	GF1515AG	539	GB	25
			127	193	289								0.81	312	56C	F-915-15-B5-H	GF1515AH	571	GB	25
				209	314	419							1.07	448	56C	F-918-15-B5-G	GF1518AG	552	GB	30
				209	314	419							1.07	448	56C	F-918-15-B5-J	GF1518AJ	552	GB	30
				209	314	419							1.07	448	56C	F-918-15-B5-H	GF1518AH	585	GB	30
				246	369	492							1.35	664	56C	F-921-15-B5-G	GF1521AG	691	GB	35
				246	369	492							1.35	664	56C	F-921-15-B5-J	GF1521AJ	691	GB	35
				246	369	492							1.35	664	56C	F-921-15-B5-H	GF1521AH	728	GB	35
				246	369	492							1.35	664	140TC	F-921-15-B7-G	GF1521BG	691	GB	35
						470	705	939					2.11	992	56C	F-924-15-B5-G	GF1524AG	815	GB	40
						470	705	939					2.11	992	56C	F-924-15-B5-J	GF1524AJ	815	GB	40
						470	705	939					2.11	992	140TC	F-924-15-B7-G	GF1524BG	815	GB	40
						473	710	947					2.58	1225	140TC	F-926-15-B7-G	GF1526BG	945	GB	55
							686	915	1373				4.14	1903	180TC	F-930-15-B9-G	GF1530CG	1,285	GB	68
								959	1438				4.66	2241	140TC	F-932-15-B7-G	GF1532BG	1,393	GB	87
								959	1438				4.66	2241	180TC	F-932-15-B9-G	GF1532CG	1,393	GB	97
									1409	2349			6.64	3118	180TC	F-938-15-B9-G	GF1538CG	1,701	GB	119
88	20:1	113	149	226								0.53	239	56C	F-913-20-B5-G	GF2013AG	504	GB	20	
		113	149	226								0.53	239	56C	F-913-20-B5-H	GF2013AH	533	GB	20	
		128	169	256								0.62	317	56C	F-915-20-B5-G	GF2015AG	539	GB	25	
		128	169	256								0.62	317	56C	F-915-20-B5-H	GF2015AH	571	GB	25	
			165	251	376								0.92	461	56C	F-918-20-B5-G	GF2018AG	552	GB	30
			165	251	376								0.92	461	56C	F-918-20-B5-J	GF2018AJ	552	GB	30
			165	251	376								0.92	461	56C	F-918-20-B5-H	GF2018AH	585	GB	30
				323	484	645							1.06	684	56C	F-921-20-B5-G	GF2021AG	691	GB	35
				323	484	645							1.06	684	56C	F-921-20-B5-J	GF2021AJ	691	GB	35
				323	484	645							1.06	684	56C	F-921G-20-B5-G	GF20G21AG	691	GB	35

NOTE: Service Class I Torque Ratings (1.0 Service Factor)
 Service Class II Torque Ratings (≥ 1.4 Service Factor)
 Service Class III Torque Ratings (≥ 2.0 Service Factor)

Vertical motor below gearhead not recommended.
 Avoiding those positions where the high speed oil seal is immersed in oil, will provide greater security against high speed input seal wear.
 Replacement oil – 1 Qt P/N MJ0006A05SP (Klubersynth UH1-6-460)

ATTENTION: Additional ratios, ratings and mounting configurations are available.
 Need a fully assembled gearmotor? Have your reducer and motor coupled by utilizing M34D from the Baldor Mod Express section.
 Please contact your local Baldor representative for assistance.

Assembly Types



Definite Purpose Motors
 Unit Handling Motors
 Brake Motors
 IEC Frame Motors
 50 Hertz Motors
 Inverter/Vector Motors & Controls
 DC Motors and Controls
 Gearmotors and Gear Products
 Motor Accessories
 Grinders

900 Series – Right Angle – Quill Type – Solid Shaft continued...

Nominal Output RPM @ 1750 RPM In	Gear Ratio	Continuous Duty Output Torque (In-lbs) Based on 1750 RPM Motor										Max Input Hp	Max Output Torque Rating In-lbs	NEMA Motor Mount	Style Number	Catalog Number	List Price	Mult. Sym.	Ap'x Shpg. Wgt.
		0.25	0.33	0.5	0.75	1	1.5	2	3	5	7.5								
88	20:1		323	484	645							1.06	684	56C	F-921-20-B5-H	GF2021AH	728	GB	35
			323	484	645							1.06	684	140TC	F-921-20-B7-G	GF2021BG	691	GB	35
			323	484	645							1.06	684	140TC	F-921G-20-B7-G	GF20G21BG	691	GB	30
				451	602	902						1.72	1038	56C	F-924-20-B5-G	GF2024AG	815	GB	40
				451	602	902						1.72	1038	140TC	F-924-20-B7-G	GF2024BG	815	GB	40
					609	913	1218					2.15	1308	56C	F-926-20-B5-G	GF2026AG	945	GB	55
					609	913	1218					2.15	1308	140TC	F-926-20-B7-G	GF2026BG	945	GB	52
						880	1174	1761				3.31	1955	140TC	F-930-20-B7-G	GF2030BG	1,285	GB	68
						880	1174	1761				3.31	1955	180TC	F-930-20-B9-G	GF2030CG	1,285	GB	68
						880	1174	1761				3.31	1955	180TC	F-930-20-B9-J	GF2030CJ	1,285	GB	68
						924	1232	1848				3.85	2383	140TC	F-932-20-B7-G	GF2032BG	1,393	GB	87
						924	1232	1848				3.85	2383	180TC	F-932-20-B9-G	GF2032CG	1,393	GB	97
					1176	1764	2940			5.43	3193	180TC	F-938-20-B9-G	GF2038CG	1,701	GB	120		
70	25:1	119	157	238							0.50	238	56C	F-913-25-B5-G	GF2513AG	504	GB	20	
		156	206	312							0.51	318	56C	F-915-25-B5-G	GF2515AG	539	GB	25	
		156	206	312							0.51	318	56C	F-915-25-B5-H	GF2515AH	571	GB	25	
			183	277	416						0.8	444	56C	F-918-25-B5-G	GF2518AG	552	GB	28	
			183	277	416						0.8	444	56C	F-918-25-B5-J	GF2518AJ	552	GB	30	
			250	379	569						0.89	675	56C	F-921-25-B5-G	GF2521AG	691	GB	35	
			250	379	569						0.89	675	56C	F-921-25-B5-J	GF2521AJ	691	GB	35	
			250	379	569						0.89	675	56C	F-921G-25-B5-G	GF25G21AG	691	GB	40	
				365	547	729					1.37	1002	56C	F-924-25-B5-G	GF2524AG	815	GB	36	
				365	547	729					1.37	1002	140TC	F-924-25-B7-G	GF2524BG	815	GB	40	
					567	756	1134				1.73	1307	140TC	F-926-25-B7-G	GF2526BG	945	GB	52	
						711	1066	1422			2.78	1978	56C	F-930-25-B5-G	GF2530AG	1,285	GB	68	
						711	1066	1422			2.78	1978	140TC	F-930-25-B7-G	GF2530BG	1,285	GB	68	
							1134	1513	2269		3.13	2355	140TC	F-932-25-B7-G	GF2532BG	1,393	GB	91	
							1440	2160			4.50	3222	180TC	F-938-25-B9-H	GF2538CH	1,798	GB	126	
58	30:1	148	195								0.42	248	56C	F-913-30-B5-G	GF3013AG	504	GB	20	
		148	195								0.42	248	56C	F-913-30-B5-H	GF3013AH	533	GB	20	
		159	210	318							0.50	318	56C	F-915-30-B5-G	GF3015AG	539	GB	25	
		159	210	318							0.50	318	56C	F-915-30-B5-H	GF3015AH	571	GB	25	
			216	327							0.72	470	56C	F-918-30-B5-G	GF3018AG	552	GB	30	
			216	327							0.72	470	56C	F-918-30-B5-J	GF3018AJ	552	GB	30	
			216	327							0.72	470	56C	F-918-30-B5-H	GF3018AH	585	GB	30	
			275	416	624						0.83	691	56C	F-921-30-B5-G	GF3021AG	691	GB	35	
			275	416	624						0.83	691	56C	F-921-30-B5-J	GF3021AJ	691	GB	35	
			275	416	624						0.83	691	56C	F-921-30-B5-H	GF3021AH	728	GB	35	
			275	416	624						0.83	691	56C	F-921G-30-B5-G	GF30G21AG	691	GB	30	
				420	630	840					1.32	1111	56C	F-924-30-B5-G	GF3024AG	815	GB	40	
				420	630	840					1.32	1111	56C	F-924-30-B5-J	GF3024AJ	815	GB	40	
				420	630	840					1.32	1111	140TC	F-924-30-B7-G	GF3024BG	815	GB	40	
					641	854	1281				1.54	1313	56C	F-926-30-B5-G	GF3026AG	945	GB	52	
					641	854	1281				1.54	1313	140TC	F-926-30-B7-G	GF3026BG	945	GB	55	
						804	1206	1608			2.47	1978	56C	F-930-30-B5-G	GF3030AG	1,285	GB	68	
						804	1206	1608			2.47	1978	56C	F-930-30-B5-J	GF3030AJ	1,285	GB	68	
				804	1206	1608			2.47	1978	140TC	F-930-30-B7-G	GF3030BG	1,285	GB	65			
				881	1322	1763			2.81	2482	140TC	F-932-30-B7-G	GF3032BG	1,393	GB	91			
					1626	2438			3.97	3226	180TC	F-938-30-B9-G	GF3038CG	1,701	GB	126			

NOTE: Service Class I Torque Ratings (1.0 Service Factor)
 Service Class II Torque Ratings (≥ 1.4 Service Factor)
 Service Class III Torque Ratings (≥ 2.0 Service Factor)

Vertical motor below gearhead not recommended.
 Avoiding those positions where the high speed oil seal is immersed in oil, will provide greater security against high speed input seal wear.
 Replacement oil – 1 Qt P/N MJ0006A05SP (Klubersynth UH1-6-460)

ATTENTION: Additional ratios, ratings and mounting configurations are available.
 Need a fully assembled gearmotor? Have your reducer and motor coupled by utilizing M34D from the Baldor Mod Express section.
 Please contact your local Baldor representative for assistance.

900 Series – Right Angle – Quill Type – Solid Shaft continued...

Nominal Output RPM @ 1750 RPM In	Gear Ratio	Continuous Duty Output Torque (In-lbs) Based on 1750 RPM Motor										Max Input Hp	Max Output Torque Rating In-lbs	NEMA Motor Mount	Style Number	Catalog Number	List Price	Mult. Sym.	Ap'x Shpg. Wgt.
		0.25	0.33	0.5	0.75	1	1.5	2	3	5	7.5								
44	40:1	174	230									0.33	230	56C	F-913-40-BG-G	GF4013AG	504	GB	20
		174	230									0.33	230	56C	F-913-40-B5-H	GF4013AH	533	GB	20
		208	275									0.38	317	56C	F-915-40-B5-G	GF4015AG	539	GB	25
		208	275									0.38	317	56C	F-915-40-B5-J	GF4015AJ	539	GB	25
		180	238	360								0.64	461	56C	F-918-40-B5-G	GF4018AG	552	GB	30
		180	238	360								0.64	461	56C	F-918-40-B5-J	GF4018AJ	552	GB	30
				340	515							0.66	680	56C	F-921-40-B5-G	GF4021AG	691	GB	35
				340	515							0.66	680	56C	F-921-40-B5-J	GF4021AJ	691	GB	35
					521	781						0.99	1030	56C	F-924-40-B5-G	GF4024AG	815	GB	40
					521	781						0.99	1030	56C	F-924-40-B5-J	GF4024AJ	815	GB	40
					521	781						0.99	1030	56C	F-924-40-B5-H	GF4024AH	861	GB	40
					524	786	1049					1.23	1296	56C	F-926-40-B5-G	GF4026AG	945	GB	55
					524	786	1049					1.23	1296	56C	F-926-40-B5-J	GF4026AJ	945	GB	52
					524	786	1049					1.23	1296	140TC	F-926-40-B7-G	GF4026BG	945	GB	55
						794	1059	1589				1.84	1960	56C	F-930-40-B5-G	GF4030AG	1,285	GB	68
						794	1059	1589				1.84	1960	140TC	F-930-40-B7-G	GF4030BG	1,285	GB	68
							1180	1620	2160			2.20	2374	140TC	F-932-40-B7-G	GF4032BG	1,393	GB	88
								1596	2129	3192		3.00	3192	180TC	F-938-40-B9-G	GF4038CG	1,701	GB	126
						1596	2129	3192		3.00	3192	180TC	F-938-40-B9-H	GF4038CH	1,798	GB	126		
35	50:1	177	234								0.33	234	56C	F-913-50-B5-G	GF5013AG	504	GB	20	
		177	234								0.33	234	56C	F-913-50-B5-H	GF5013AH	533	GB	20	
		230	303								0.33	303	56C	F-915-50-B5-G	GF5015AG	539	GB	25	
		222	294								0.49	436	56C	F-918-50-B5-G	GF5018AG	552	GB	30	
		222	294								0.49	436	56C	F-918-50-B5-J	GF5018AJ	552	GB	30	
		280	370	561								0.58	651	56C	F-921-50-B5-G	GF5021AG	691	GB	35
		280	370	561								0.58	651	56C	F-921-50-B5-J	GF5021AJ	691	GB	35
		280	370	561								0.58	651	56C	F-921-50-B5-H	GF5021AH	728	GB	35
				401	608	912						0.83	1014	56C	F-924-50-B5-G	GF5024AG	815	GB	40
					621	932	1242					1.00	1242	56C	F-926-50-B5-G	GF5026AG	945	GB	55
					621	932	1242					1.00	1242	140TC	F-926-50-B7-G	GF5026BG	945	GB	52
						850	1134	1701				1.67	1890	56C	F-930-50-B5-G	GF5030AG	1,285	GB	68
						850	1134	1701				1.67	1890	140TC	F-930-50-B7-G	GF5030BG	1,285	GB	68
						958	1278	1917				1.83	2366	56C	F-932-50-B5-G	GF5032AG	1,393	GB	87
						958	1278	1917				1.83	2366	140TC	F-932-50-B7-G	GF5032BG	1,393	GB	87
							1152	1729	2305			2.67	3076	140TC	F-938-50-B7-G	GF5038BG	1,701	GB	117
							1152	1729	2305			2.67	3076	140TC	F-938-50-B7-H	GF5038BH	1,798	GB	126
		29	60:1	218	288								0.33	288	56C	F-915-60-B5-G	GF6015AG	539	GB
218	288										0.33	288	56C	F-915-60-B5-H	GF6015AH	571	GB	25	
220	290										0.47	413	56C	F-918-60-B5-G	GF6018AG	552	GB	30	
220	290										0.47	413	56C	F-918-60-B5-J	GF6018AJ	552	GB	30	
220	290										0.47	413	56C	F-918-60-B5-H	GF6018AH	585	GB	30	

NOTE: Service Class I Torque Ratings (1.0 Service Factor)
 Service Class II Torque Ratings (≥ 1.4 Service Factor)
 Service Class III Torque Ratings (≥ 2.0 Service Factor)

Vertical motor below gearhead not recommended.
 Avoiding those positions where the high speed oil seal is immersed in oil, will provide greater security against high speed input seal wear.
 Replacement oil – 1 Qt P/N MJ0006A05SP (Klubersynth UH1-6-460)

ATTENTION: Additional ratios, ratings and mounting configurations are available.
 Need a fully assembled gearmotor? Have your reducer and motor coupled by utilizing M34D from the Baldor Mod Express section.
 Please contact your local Baldor representative for assistance.

Define Purpose Motors
 Unit Handling Motors
 Brake Motors
 IEC Frame Motors
 50 Hertz Motors
 Inverter/Vector Motors & Controls
 DC Motors and Controls
 Gearmotors and Gear Products
 Motor Accessories
 Grinders

900 Series – Right Angle – Quill Type – Solid Shaft continued...

Nominal Output RPM @ 1750 RPM In	Gear Ratio	Continuous Duty Output Torque (In-lbs) Based on 1750 RPM Motor									Max Input Hp	Max Output Torque Rating In-lbs	NEMA Motor Mount	Style Number	Catalog Number	List Price	Mult. Sym.	Ap'x Shpg. Wgt.	
		0.25	0.33	0.5	0.75	1	1.5	2	3	5									7.5
29	60:1	317	418	634								0.50	634	56C	F-921-60-B5-G	GF6021AG	691	GB	35
		317	418	634								0.50	634	56C	F-921-60-B5-H	GF6021AH	728	GB	35
		317	418	634								0.50	634	56C	F-921-60-B5-J	GF6021AJ	691	GB	35
			458	693								0.69	958	56C	F-924-60-B5-G	GF6024AG	815	GB	40
			458	693								0.69	958	56C	F-924-60-B5-J	GF6024AJ	815	GB	40
			473	716	1074							0.82	1166	56C	F-926-60-B5-G	GF6026AG	945	GB	55
			473	716	1074							0.82	1166	56C	F-926-60-B5-J	GF6026AJ	945	GB	55
			473	716	1074							0.82	1166	56C	F-926-60-B5-H	GF6026AH	996	GB	55
					896	1195	1795					1.50	1795	56C	F-930-60-B5-G	GF6030AG	1,285	GB	68
					896	1195	1795					1.50	1795	140TC	F-930-60-B7-G	GF6030BG	1,285	GB	68
					1100	1467	2200					1.54	2255	56C	F-932-60-B5-G	GF6032AG	1,393	GB	90
					1100	1467	2200					1.54	2255	140TC	F-932-60-B7-G	GF6032BG	1,393	GB	91
						1254	1881	2508				2.33	2921	140TC	F-938-60-B7-G	GF6038BG	1,701	GB	117
						1254	1881	2508				2.33	2921	140TC	F-938-60-B7-H	GF6038BH	1,798	GB	126

NOTE:

- Service Class I Torque Ratings (1.0 Service Factor)
- Service Class II Torque Ratings (≥ 1.4 Service Factor)
- Service Class III Torque Ratings (≥ 2.0 Service Factor)

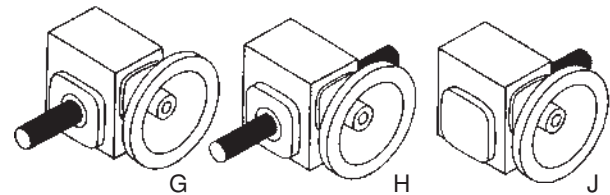
Vertical motor below gearhead not recommended.

Avoiding those positions where the high speed oil seal is immersed in oil, will provide greater security against high speed input seal wear.
Replacement oil – 1 Qt P/N MJ0006A05SP (Klubersynth UH1-6-460)

ATTENTION: Additional ratios, ratings and mounting configurations are available.

Need a fully assembled gearmotor? Have your reducer and motor coupled by utilizing M34D from the Baldor Mod Express section.
Please contact your local Baldor representative for assistance.

Assembly Types



Definite Purpose Motors

Unit Handling Motors

Brake Motors

IEC Frame Motors

50 Hertz Motors

Inverter/Vector Motors & Controls

DC Motors and Controls

Gearmotors and Gear Products

Motor Accessories

Grinders

900 Series – Right Angle – Quill Type – Hollow Shaft

1.33 thru 3.25 CD



Features:

- Heavy duty cast iron construction
- Bronze gearing
- Tapered roller bearings on output
- Industry-standard mounting
- Food grade synthetic gear oil
- Vent-free housing prevents contamination

Applications:

- Conveyors
- Material handling
- Textile machines
- Packaging machinery
- Any shaft mount application

Nominal Output RPM @ 1750 RPM In	Gear Ratio	Continuous Duty Output Torque (In-lbs) Based on 1750 RPM Motor										Max Input Hp	Max Output Torque Rating In-lbs	NEMA Motor Mount	Style Number	Catalog Number	List Price	Mult. Sym.	Ap'x Shpg. Wgt.	
		0.25	0.33	0.5	0.75	1	1.5	2	3	5	7.5									
350	5:1			75	112	149						1.00	165	56C	HF-913-05-B5-H	GHF0513AH	664	GB	20	
						160	240	320					2.00	320	56C	HF-918-05-B5-H	GHF0518AH	710	GB	30
175	10:1			214	285	428						1.50	428	56C	HF-918-10-B5-H	GHF1018AH	710	GB	30	
						312	468	624					2.02	630	56C	HF-921-10-B5-H	GHF1021AH	842	GB	35
117	15:1											5.48	1755	180TC	HF-930-10-B9-H	GHF1030CH	1,527	GB	75	
		89	118	179								0.66	25	56C	HF-913-15-B5-H	GHF1513AH	664	GB	20	
				209	314	419							1.07	448	56C	HF-918-15-B5-H	GHF1518AH	710	GB	30
				246	369	492							1.35	664	56C	HF-921-15-B5-H	GHF1521AH	842	GB	35
88	20:1											2.11	992	56C	HF-924-15-B5-H	GHF1524AH	1,013	GB	45	
						470	705	939				4.14	1903	140TC	HF-930-15-B7-H	GHF1530BH	1,527	GB	75	
													0.53	239	56C	HF-913-20-B5-H	GHF2013AH	664	GB	20
		113	149	226								0.92	461	56C	HF-918-20-B5-H	GHF2018AH	710	GB	30	
70	25											1.06	684	56C	HF-921-20-B5-H	GHF2021AH	842	GB	35	
						451	602	902				1.72	1038	56C	HF-924-20-B5-H	GHF2024AH	1,013	GB	42	
													2.15	1309	56C	HF-926-20-B5-H	GHF2026AH	1,195	GB	56
													3.31	1955	140TC	HF-930-20-B7-H	GHF2030BH	1,527	GB	72
58	30:1											0.80	444	56C	HF-918-25-B5-H	GHF2518AH	710	GB	23	
												0.89	675	56C	HF-921-25-B5-H	GHF2521AH	842	GB	32	
													1.73	1307	140TC	HF-926-25-B7-H	GHF2526BH	1,195	GB	56
													2.78	1978	140TC	HF-930-25-B7-H	GHF2530BH	1,527	GB	88
44	40:1											0.42	248	56C	HF-913-30-B5-H	GHF3013AH	664	GB	20	
												0.72	470	56C	HF-918-30-B5-H	GHF3018AH	710	GB	30	
												0.83	691	56C	HF-921-30-B5-H	GHF3021AH	842	GB	35	
												1.32	1111	56C	HF-924-30-B5-H	GHF3024AH	1,013	GB	45	
35	50:1											1.54	1313	56C	HF-926-30-B5-H	GHF3026AH	1,195	GB	56	
												2.47	1978	140TC	HF-930-30-B7-H	GHF3030BH	1,527	GB	75	
												2.81	2462	140TC	HF-932-30-B7-H	GHF3032BH	1,655	GB	95	
												0.64	461	56C	HF-918-40-B5-H	GHF4018AH	710	GB	30	
29	60:1											0.66	680	56C	HF-921-40-B5-H	GHF4021AH	842	GB	35	
												0.99	1030	56C	HF-924-40-B5-H	GHF4024AH	1,013	GB	42	
												1.23	1296	56C	HF-926-40-B5-H	GHF4026AH	1,195	GB	56	
												1.23	1296	140TC	HF-926-40-B7-H	GHF4026BH	1,195	GB	56	
29	60:1											2.20	2374	140TC	HF-932-40-B7-H	GHF4032BH	1,655	GB	95	
												0.33	234	56C	HF-913-50-B5-H	GHF5013AH	664	GB	20	
												0.49	436	56C	HF-918-50-B5-H	GHF5018AH	710	GB	30	
												0.58	651	56C	HF-921-50-B5-H	GHF5021AH	842	GB	35	
29	60:1											0.83	1014	56C	HF-924-50-B5-H	GHF5024AH	1,013	GB	45	
												1.67	1890	56C	HF-930-50-B5-H	GHF5030AH	1,527	GB	75	
												1.83	2366	56C	HF-932-50-B5-H	GHF5032AH	1,655	GB	95	
												0.47	413	56C	HF-918-60-B5-H	GHF6018AH	710	GB	30	
29	60:1											0.50	634	56C	HF-921-60-B5-H	GHF6021AH	842	GB	35	
												0.69	958	56C	HF-924-60-B5-H	GHF6024AH	1,013	GB	42	
												0.82	1166	56C	HF-926-60-B5-H	GHF6026AH	1,195	GB	56	
												1.50	1795	56C	HF-930-60-B5-H	GHF6030AH	1,527	GB	71	
29	60:1										1.54	2255	56C	HF-932-60-B5-H	GHF6032AH	1,655	GB	92		

NOTE: Service Class I Torque Ratings (1.0 Service Factor)
 Service Class II Torque Ratings (≥ 1.4 Service Factor)
 Service Class III Torque Ratings (≥ 2.0 Service Factor)

ATTENTION: Additional ratios, ratings and mounting configurations are available. Need a fully assembled gearmotor? Have your reducer and motor coupled by utilizing M34D from the Baldor Mod Express section. Please contact your local Baldor representative for assistance.

Vertical motor below gearhead not recommended Replacement oil – 1 Qt P/N MJ0006A05SP (Klubersynth UH1-6-460)
 Avoiding those positions where the high speed oil seal is immersed in oil, will provide greater security against high speed input seal wear.

Definite Purpose Motors
 Unit Handling Motors
 Brake Motors
 IEC Frame Motors
 50 Hertz Motors
 Inverter/Vector Motors & Controls
 DC Motors and Controls
 Gearmotors and Gear Products
 Motor Accessories
 Grinders

900 Series – Stainless Steel – Right Angle – Quill Type – Solid Shaft

1.75 thru 2.62 CD



Features:

- Heavy duty CF-8 cast stainless construction
- 300 series stainless output shaft and hardware
- Patented Dodge HNBR oil seals on output
- O-ring sealed housing
- O-ring groove on motor mounting face
- Bronze gearing
- Tapered roller bearings on output
- Industry-standard mounting
- Food grade synthetic gear oil
- Vent-free housing prevents contamination
- BISSC certified

Applications:

- Conveyors
- Food processing equipment
- Chemical processing applications
- Material handling
- Packaging machinery
- Applications requiring sanitization

Nominal Output RPM @ 1750 RPM In	Gear Ratio	Continuous Duty Output Torque (In-lbs) Based on 1750 RPM Motor										Max Input Hp	Max Output Torque Rating In-lbs	NEMA Motor Mount	Style Number	Catalog Number	List Price	Mult. Sym.	Ap'x Shpg. Wgt.	
		0.25	0.33	0.5	0.75	1	1.5	2	3	5	7.5									
350	5:1					160	240	320				2.00	320	56C	SSF-918-05-B5-G	SSGF0518AG	1,710	GB	30	
						160	240	320				2.00	320	140TC	SSF-918-05-B7-G	SSGF0518BG	1,710	GB	30	
							246	327	491				3.14	514	140TC	SSF-921-05-B7-G	SSGF0521BG	2,001	GB	35
								339	508	847			5.43	919	140TC	SSF-926-05-B7-G	SSGF0526BG	2,813	GB	65
175	10:1			214	285	428						1.50	428	56C	SSF-918-10-B5-G	SSGF1018AG	1,710	GB	30	
				214	285	428						1.50	428	140TC	SSF-918-10-B7-G	SSGF1018BG	1,710	GB	30	
						312	468	624				2.02	630	140TC	SSF-921-10-B7-G	SSGF1021BG	2,001	GB	35	
								655	983			3.59	1177	140TC	SSF-926-10-B7-G	SSGF1026BG	2,813	GB	65	
117	15:1			209	314	419						1.07	448	56C	SSF-918-15-B5-G	SSGF1518AG	1,710	GB	30	
				246	369	492						1.35	664	56C	SSF-921-15-B5-G	SSGF1521AG	2,001	GB	35	
						473	710	947				2.58	1225	140TC	SSF-926-15-B7-G	SSGF1526BG	2,813	GB	65	
												0.92	461	56C	SSF-918-20-B5-G	SSGF2018AG	1,710	GB	30	
88	20:1			165	251	376						1.06	684	56C	SSF-921-20-B5-G	SSGF2021AG	2,001	GB	35	
						323	484	645				2.15	1308	140TC	SSF-926-20-B7-G	SSGF2026BG	2,813	GB	65	
							609	913	1218			0.80	444	56C	SSF-918-25-B5-G	SSGF2518AG	1,710	GB	30	
						183	277	416				0.89	675	56C	SSF-921-25-B5-G	SSGF2521AG	2,001	GB	35	
70	25:1			250	379	569						1.73	1307	140TC	SSF-926-25-B7-G	SSGF2526BG	2,813	GB	65	
						567	756	1134				0.72	470	56C	SSF-918-30-B5-G	SSGF3018AG	1,710	GB	30	
				216	327							0.83	691	56C	SSF-921-30-B5-G	SSGF3021AG	2,001	GB	35	
				275	416	624						1.54	1313	140TC	SSF-926-30-B7-G	SSGF3026BG	2,813	GB	56	
58	30:1			641	854	1281						0.64	461	56C	SSF-918-40-B5-G	SSGF4018AG	1,710	GB	30	
				180	238	360						0.66	680	56C	SSF-921-40-B5-G	SSGF4021AG	2,001	GB	35	
						524	786	1049				1.23	1296	140TC	SSF-926-40-B7-G	SSGF4026BG	2,813	GB	56	
												0.49	436	56C	SSF-918-50-B5-G	SSGF5018AG	1,710	GB	30	
35	50:1			222	294							0.58	651	56C	SSF-921-50-B5-G	SSGF5021AG	2,001	GB	35	
				280	370	561						1.00	1242	56C	SSF-926-50-B5-G	SSGF5026AG	2,813	GB	60	
						621	932	1242				0.47	413	56C	SSF-918-60-B5-G	SSGF6018AG	1,710	GB	30	
				220	290							0.50	634	56C	SSF-921-60-B5-G	SSGF6021AG	2,001	GB	35	
29	60:1			317	418	634						0.82	1166	56C	SSF-926-60-B5-G	SSGF6026AG	2,813	GB	56	
						473	716	1074												

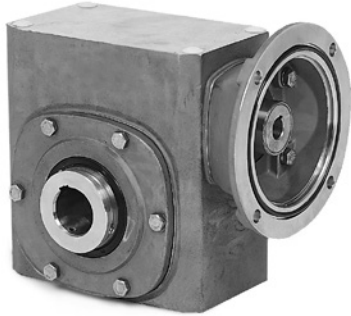
NOTE: Service Class I Torque Ratings (1.0 Service Factor) Refer to Brochure CA1600 for Dimensions and Engineering Information.
 Service Class II Torque Ratings (≥ 1.4 Service Factor)
 Service Class III Torque Ratings (≥ 2.0 Service Factor)

Vertical motor below gearhead not recommended.
 Avoiding those positions where the high speed oil seal is immersed in oil, will provide greater security against high speed input seal wear.
 Replacement oil – 1 Qt P/N MJ0006A05SP (Klubersynth UH1-6-460)

ATTENTION: Additional ratios, ratings and mounting configurations are available.
 Need a fully assembled gearmotor? Have your reducer and motor coupled by utilizing M34D from the Baldor Mod Express section.
 Please contact your local Baldor representative for assistance.

900 Series – Stainless Steel – Right Angle – Quill Type – Hollow Shaft

1.75 thru 2.62 CD



SSGHF2026AH Shown

Features:

- Heavy duty CF-8 cast stainless construction
- 300 series stainless output shaft and hardware
- Patented Dodge HNBR oil seals on output
- O-ring sealed housing
- O-ring groove on motor mounting face
- Bronze gearing
- Tapered roller bearings on output
- Industry-standard mounting
- Food grade synthetic gear oil
- Vent-free housing prevents contamination
- BISSC certified

Applications:

- Conveyors
- Food processing equipment
- Chemical processing applications
- Material handling
- Packaging machinery
- Any shaft mount applications requiring sanitization

Nominal Output RPM @ 1750 RPM In	Gear Ratio	Continuous Duty Output Torque (In-lbs) Based on 1750 RPM Motor										Max Input Hp	Max Output Torque Rating In-lbs	NEMA Motor Mount	Style Number	Catalog Number	List Price	Mult. Sym.	Ap'x Shpg. Wgt.
		0.25	0.33	0.5	0.75	1	1.5	2	3	5	7.5								
350	5:1					160	240	320				2.00	320	56C	SSHF-918-05-B5-H	SSGHF0518AH	1,805	GB	30
175	10:1				214	285	428					1.50	428	56C	SSHF-918-10-B5-H	SSGHF1018AH	1,805	GB	30
						312	468	624				2.02	630	56C	SSHF-921-10-B5-H	SSGHF1021AH	2,091	GB	38
117	15:1			209	314	419						1.07	448	56C	SSHF-918-15-B5-H	SSGHF1518AH	1,805	GB	30
				246	369	492						1.35	664	56C	SSHF-921-15-B5-H	SSGHF1521AH	2,091	GB	38
								959	1438				4.66	2241	180TC	SSHF-932-15-B9-H	SSGHF1532CH	4,633	GB
88	20:1		165	251	376							0.92	461	56C	SSHF-918-20-B5-H	SSGHF2018AH	1,805	GB	30
			323	484	645							1.06	684	56C	SSHF-921-20-B5-H	SSGHF2021AH	2,091	GB	38
						609	913	1218				2.15	1309	56C	SSHF-926-20-B5-H	SSGHF2026AH	3,009	GB	60
58	30:1						924	1232	1848			3.85	2383	180TC	SSHF-932-20-B9-H	SSGHF2032CH	4,633	GB	100
			216	327								0.72	470	56C	SSHF-918-30-B5-H	SSGHF3018AH	1,805	GB	30
			275	416	624							0.83	691	56C	SSHF-921-30-B5-H	SSGHF3021AH	2,091	GB	38
					641	854	1281					1.54	1313	56C	SSHF-926-30-B5-H	SSGHF3026AH	3,009	GB	60
44	40:1											2.81	2482	140TC	SSHF-932-30-B7-H	SSGHF3032BH	4,633	GB	100
			180	238	360							0.64	461	56C	SSHF-918-40-B5-H	SSGHF4018AH	1,805	GB	30
			340	515								0.66	680	56C	SSHF-921-40-B5-H	SSGHF4021AH	2,091	GB	38
					524	786	1049					1.23	1296	56C	SSHF-926-40-B5-H	SSGHF4026AH	3,009	GB	60
					524	786	1049					1.23	1296	140TC	SSHF-926-40-B7-H	SSGHF4026BH	3,009	GB	60
35	50:1											2.20	2374	140TC	SSHF-932-40-B7-H	SSGHF4032BH	4,633	GB	100
			222	294								0.49	436	56C	SSHF-918-50-B5-H	SSGHF5018AH	1,805	GB	30
			280	370	561							0.58	651	56C	SSHF-921-50-B5-H	SSGHF5021AH	2,091	GB	38
					621	932	1242					1.00	1242	56C	SSHF-926-50-B5-H	SSGHF5026AH	3,009	GB	53
29	60:1											1.83	2366	140TC	SSHF-932-50-B7-H	SSGHF5032BH	4,633	GB	100
												0.47	413	56C	SSHF-918-60-B5-H	SSGHF6018AH	1,805	GB	30
			317	418	634							0.50	634	56C	SSHF-921-60-B5-H	SSGHF6021AH	2,091	GB	38
					473	716	1074					0.82	1166	56C	SSHF-926-60-B5-H	SSGHF6026AH	3,009	GB	60
								1100	1467	2200			1.54	2255	140TC	SSHF-932-60-B7-H	SSGHF6032BH	4,633	GB

NOTE: Service Class I Torque Ratings (1.0 Service Factor) Service Class II Torque Ratings (≥ 1.4 Service Factor) Service Class III Torque Ratings (≥ 2.0 Service Factor)

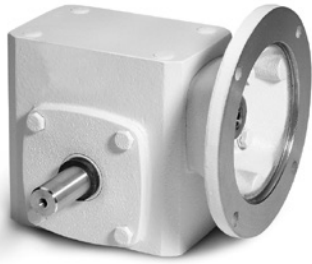
Refer to Brochure CA1600 for Dimensions and Engineering Information.

Vertical motor below gearhead not recommended.
Avoiding those positions where the high speed oil seal is immersed in oil, will provide greater security against high speed input seal wear.
Replacement oil – 1 Qt P/N MJ0006A05SP (Klubersynth UH1-6-460)

ATTENTION: Additional ratios, ratings and mounting configurations are available.
Need a fully assembled gearmotor? Have your reducer and motor coupled by utilizing M34D from the Baldor Mod Express section.
Please contact your local Baldor representative for assistance.

900 Series – Washdown – Right Angle – Quill Type – Solid Shaft

1.33 thru 3.25 CD



WDFG1018AG Shown

Features:

- Heavy duty CF-8 cast stainless construction
- 300 series stainless output shaft and hardware
- V-ring slinger on output shaft
- O-ring sealed housing
- O-ring groove on motor mounting face
- Bronze gearing
- Tapered roller bearings on output
- Industry-standard mounting
- Food grade synthetic gear oil
- Vent-free housing prevents contamination
- BISSC certified

Applications:

- Conveyors
- Food processing equipment
- Material handling
- Packaging machinery
- Applications which receive washdown

Nominal Output RPM @ 1750 RPM In	Gear Ratio	Continuous Duty Output Torque (In-lbs) Based on 1750 RPM Motor										Max Input Hp	Max Output Torque Rating In-lbs	NEMA Motor Mount	Style Number	Catalog Number	List Price	Mult. Sym.	Ap'x Shpg. Wgt.
		0.25	0.33	0.5	0.75	1	1.5	2	3	5	7.5								
350	5:1					160	240	320				2.00	320	56C	WDF-918-05-B5-G	WDFG0518AG	675	GB	30
175	10:1		82	125	187							0.90	225	56C	WDF-913-10-B5-G	WDFG1013AG	628	GB	20
				141	211	282						1.03	290	56C	WDF-915-10-B5-G	WDFG1015AG	664	GB	25
				141	211	282						1.03	290	140TC	WDF-915-10-B7-G	WDFG1015BG	664	GB	25
					214	285	428					1.50	428	56C	WDF-918-10-B5-G	WDFG1018AG	675	GB	30
						312	468	624				2.20	630	56C	WDF-921-10-B5-G	WDFG1021AG	832	GB	35
						317	475	634				2.73	893	140TC	WDF-924-10-B7-G	WDFG1024BG	974	GB	40
117	15:1		89	118	179							0.66	225	56C	WDF-913-15-B5-G	WDFG1513AG	628	GB	20
				127	193	289						0.81	312	56C	WDF-915-15-B5-G	WDFG1515AG	664	GB	25
					209	314	419					1.07	448	56C	WDF-918-15-B5-G	WDFG1518AG	675	GB	30
					246	369	492					1.35	664	56C	WDF-921-15-B5-G	WDFG1521AG	832	GB	35
						470	705	939				2.11	992	56C	WDF-924-15-B5-G	WDFG1524AG	974	GB	40
												2.11	992	56C	WDF-924-15-B5-G	WDFG1524AG	974	GB	40
88	20:1		113	149	226							0.53	239	56C	WDF-913-20-B5-G	WDFG2013AG	628	GB	20
				128	169	256						0.62	317	56C	WDF-915-20-B5-G	WDFG2015AG	664	GB	25
					165	251	376					0.92	461	56C	WDF-918-20-B5-G	WDFG2018AG	675	GB	30
							609	913	1218			2.15	1309	140TC	WDF-926-20-B7-G	WDFG2026BG	1,113	GB	52
58	30:1		216	327								0.72	470	56C	WDF-918-30-B5-G	WDFG3018AG	675	GB	30
				275	416	624						0.83	691	56C	WDF-921-30-B5-G	WDFG3021AG	832	GB	35
					420	630	840					1.32	111	56C	WDF-924-30-B5-G	WDFG3024AG	974	GB	40
						641	854	1281				1.54	1313	56C	WDF-926-30-B5-G	WDFG3026AG	1,113	GB	55
							881	1322	1763			2.81	2462	140TC	WDF-932-30-B7-G	WDFG3032BG	1,633	GB	87
												2.81	2462	140TC	WDF-932-30-B7-G	WDFG3032BG	1,633	GB	87
44	40:1		208	275								0.44	317	56C	WDF-915-40-B5-G	WDFG4015AG	664	GB	25
				180	238	360						0.64	461	56C	WDF-918-40-B5-G	WDFG4018AG	675	GB	30
					340	515						0.66	680	56C	WDF-921-40-B5-G	WDFG4021AG	832	GB	35
						521	781					0.99	1030	56C	WDF-924-40-B5-G	WDFG4024AG	974	GB	40
						524	786	1049				1.23	1296	56C	WDF-926-40-B5-G	WDFG4026AG	1,113	GB	55
							1081	1622	2163			2.20	2374	140TC	WDF-932-40-B7-G	WDFG4032BG	1,633	GB	87
35	50:1		177	234								0.33	234	56C	WDF-913-50-B5-G	WDFG5013AG	628	GB	20
				230	303							0.33	303	56C	WDF-915-50-B5-G	WDFG5015AG	664	GB	25
					280	370	561					0.58	651	56C	WDF-921-50-B5-G	WDFG5021AG	832	GB	35
						401	608	912				0.83	1014	56C	WDF-924-50-B5-G	WDFG5024AG	974	GB	40
							621	932	1242			1.00	1242	56C	WDF-926-50-B5-G	WDFG5026AG	1,113	GB	55
							958	1278	1917			1.83	2366	140TC	WDF-932-50-B7-G	WDFG5032BG	1,633	GB	92
29	60:1		218	288								0.33	288	56C	WDF-915-60-B5-G	WDFG6015AG	664	GB	25
				220	290							0.47	413	56C	WDF-918-60-B5-G	WDFG6018AG	675	GB	30
					317	418	634					0.50	634	56C	WDF-921-60-B5-G	WDFG6021AG	832	GB	35
						458	693					0.69	956	56C	WDF-924-60-B5-G	WDFG6024AG	974	GB	40
						473	716	1074				0.82	1166	56C	WDF-926-60-B5-G	WDFG6026AG	1,113	GB	55
							1100	1467	2200			1.54	2255	56C	WDF-932-60-B5-G	WDFG6032AG	1,633	GB	92

NOTE: Service Class I Torque Ratings (1.0 Service Factor)
 Service Class II Torque Ratings (≥ 1.4 Service Factor)
 Service Class III Torque Ratings (≥ 2.0 Service Factor)

ATTENTION: Additional ratios, ratings and mounting configurations are available. Need a fully assembled gearmotor? Have your reducer and motor coupled by utilizing M34D from the Baldor Mod Express section. Please contact your local Baldor representative for assistance.

Vertical motor below gearhead not recommended Replacement oil – 1 Qt P/N MJ0006A05SP (Klubersynth UH1-6-460)
 Avoiding those positions where the high speed oil seal is immersed in oil, will provide greater security against high speed input seal wear.

For more information visit baldor.com

900 Series – Right Angle – Coupling Type – Solid Shaft

1.33 thru 3.75 CD



GLF1018AG Shown

Features:

- Heavy duty cast iron construction
- Bronze gearing
- Tapered roller bearings on output
- Industry-standard mounting
- Food grade synthetic gear oil
- Vent-free housing prevents contamination

Applications:

- Conveyors
- Material handling
- Textile machines
- Packaging machinery
- Metering pumps
- Applications where a 3-piece coupling could soften shock loads

Nominal Output RPM @ 1750 RPM In	Gear Ratio	Continuous Duty Output Torque (In-lbs) Based on 1750 RPM Motor										Max Input Hp	Max Output Torque Rating In-lbs	NEMA Motor Mount	Style Number	Catalog Number	List Price	Mult. Sym.	Ap'x Shpg. Wgt.	
		0.25	0.33	0.5	0.75	1	1.5	2	3	5	7.5									
350	5:1				115	154	231					1.50	231	56C	LF-915-05-B5-G	GLF0515AG	561	GB	30	
						237	356	474					2.70	640	56C	LF-921-7.5-B5-G	GLF0821AG	710	GB	38
223	7.5:1				237	356	474					2.70	640	56C	LF-921-7.5-B5-J	GLF0821AJ	710	GB	38	
					237	356	474					2.70	640	140TC	LF-921-7.5-B7-G	GLF0821BG	710	GB	38	
								501	752				4.30	1079	140TC	LF-926-7.5-B7-G	GLF0826BG	974	GB	60
								501	752				4.30	1079	180TC	LF-926-7.5-B9-G	GLF0826CG	974	GB	60
175	10:1				214	285	428					1.50	428	56C	LF-918-10-B5-G	GLF1018AG	575	GB	32	
						312	468	624				2.02	630	56C	LF-921-10-B5-G	GLF1021AG	710	GB	38	
						312	468	624				2.02	630	140TC	LF-921-10-B7-G	GLF1021BG	710	GB	38	
						312	468	624				2.02	630	140TC	LF-921-10-B7-J	GLF1021BJ	710	GB	38	
						317	475	634				2.73	893	140TC	LF-924-10-B7-G	GLF1024BG	834	GB	45	
								655	983				3.59	1177	140TC	LF-926-10-B7-G	GLF1026BG	974	GB	60
								655	983				3.59	1177	180TC	LF-926-10-B9-G	GLF1026CG	974	GB	60
										990	1649		6.36	2106	180TC	LF-932-10-B9-G	GLF1032CG	1,419	GB	104
117	15:1	89	118	179								0.66	2228	56C	LF-913-15-B5-G	GLF1513AG	516	GB	20	
				246	369	492						1.35	664	56C	LF-921-15-B5-G	GLF1521AG	710	GB	38	
				246	369	492						1.35	664	56C	LF-921-15-B5-J	GLF1521AJ	710	GB	38	
					473	710	947					2.58	1225	140TC	LF-926-15-B7-G	GLF1526BG	974	GB	60	
					473	710	947					2.58	1225	140TC	LF-926-15-B7-J	GLF1526BJ	974	GB	60	
								959	1438				4.66	2241	180TC	LF-932-15-B9-G	GLF1532CG	1,419	GB	100
								959	1438				4.66	2241	180TC	LF-932-15-B9-J	GLF1532CJ	1,419	GB	105
										1409	2349		6.64	3118	180TC	LF-938-15-B9-G	GLF1538CG	1,733	GB	130
88	20:1	113	149	226							0.53	239	56C	LF-913-20-B5-G	GLF2013AG	516	GB	20		
			165	251	376							0.92	464	56C	LF-918-20-B5-G	GLF2018AG	575	GB	32	
				323	484	645						1.06	684	56C	LF-921-20-B5-G	GLF2021AG	710	GB	38	

NOTE: Service Class I Torque Ratings (1.0 Service Factor)
 Service Class II Torque Ratings (≥ 1.4 Service Factor)
 Service Class III Torque Ratings (≥ 2.0 Service Factor)

Optional Shaft Positions, Base Installation and Motor Mounting available through Mod Express.
Refer to a Baldor District Office for pricing and delivery.

Vertical motor below gearhead not recommended.

Avoiding those positions where the high speed oil seal is immersed in oil, will provide greater security against high speed input seal wear.

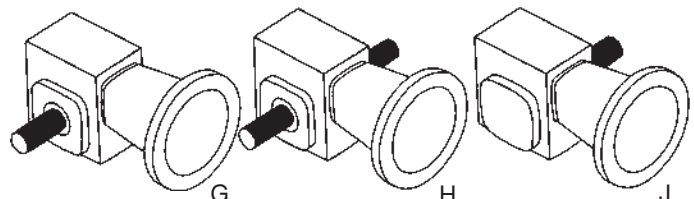
Replacement oil – 1 Qt P/N MJ0006A05SP (Klubersynth UH1-6-460)

ATTENTION: Additional ratios, ratings and mounting configurations are available.

Need a fully assembled gearmotor? Have your reducer and motor coupled by utilizing M34D from the Baldor Mod Express section.

Please contact your local Baldor representative for assistance.

Assembly Types



900 Series – Right Angle – Coupling Type – Solid Shaft continued...

Nominal Output RPM @ 1750 RPM In	Gear Ratio	Continuous Duty Output Torque (In-lbs) Based on 1750 RPM Motor										Max Input Hp	Max Output Torque Rating In-lbs	NEMA Motor Mount	Style Number	Catalog Number	List Price	Mult. Sym.	Ap'x Shpg. Wgt.	
		0.25	0.33	0.5	0.75	1	1.5	2	3	5	7.5									
88	20:1		323	484	645							1.06	684	56C	LF-921-20-B5-J	GLF2021AJ	710	GB	38	
						609	913	1218				2.15	1308	140TC	LF-926-20-B7-G	GLF2026BG	974	GB	60	
						609	913	1218				2.15	1308	140TC	LF-926-20-B7-J	GLF2026BJ	974	GB	60	
70	25:1							924	1232	1848		3.85	2383	180TC	LF-932-20-B9-G	GLF2032CG	1,419	GB	100	
		156	296	312								0.51	318	56C	LF-915-25-B5-G	GLF2515AG	561	GB	30	
			183	277	416							0.80	444	56C	LF-918-25-B5-B	GLF2518AG	575	GB	32	
			250	379	549							0.89	675	56C	LF-921-25-B5-G	GLF2521AG	710	GB	38	
			250	379	569							0.89	675	56C	LF-921-25-B5-J	GLF2521AJ	710	GB	38	
					567	756	1134					1.73	1307	56C	LF-926-25-B5-G	GLF2526AG	974	GB	60	
					567	756	1134					1.73	1307	140TC	LF-926-25-B7-G	GLF2526BG	974	GB	60	
							567	756	1134			1.73	1307	140TC	LF-926-25-B7-J	GLF2526BJ	974	GB	60	
								1134	1513	2269			3.13	2355	140TC	LF-932-25-B7-G	GLF2532BG	1,419	GB	100
								1134	1513	2269			3.13	2355	180TC	LF-932-25-B9-G	GLF2532CG	1,419	GB	100
58	30:1		148	195								0.42	248	56C	LF-913-30-B5-G	GLF3013AG	516	GB	20	
			159	210	318							0.50	318	56C	LF-915-30-B5-G	GLF3015AG	561	GB	30	
				216	327							0.72	470	56C	LF-918-30-B5-G	GLF3018AG	575	GB	32	
				216	327							0.72	470	56C	LF-918-30-B5-J	GLF3018AJ	575	GB	32	
				275	416	624						0.83	691	56C	LF-921-30-B5-G	GLF3021AG	710	GB	38	
					420	630	840					1.32	1111	56C	LF-924-30-B5-G	GLF3024AG	834	GB	45	
						641	854	1281				1.54	1313	140TC	LF-926-30-B7-G	GLF3026BG	974	GB	60	
						641	854	1281				1.54	1313	140TC	LF-926-30-B7-J	GLF3026BJ	974	GB	60	
							881	1322	1763			2.81	2482	180TC	LF-932-30-B9-G	GLF3032CG	1,419	GB	100	
								1626	2438			3.97	3226	180TC	LF-938-30-B9-G	GLF3038CG	1,733	GB	130	
44	40:1		180	238	360							0.64	461	56C	LF-918-40-B5-G	GLF4018AG	575	GB	32	
					521	781						0.99	1030	56C	LF-924-40-B5-G	GLF4024AG	834	GB	45	
					524	786	1049					1.23	1296	56C	LF-926-40-B5-G	GLF4026AG	974	GB	60	
						1180	1620	2160				2.20	2374	140TC	LF-932-40-B7-G	GLF4032BG	1,419	GB	100	
35	50:1							1596	2129	3192		3.00	3192	180TC	LF-938-40-B9-G	GLF4038CG	1,733	GB	130	
		280	370	561								0.58	651	56C	LF-921-50-B5-G	GLF5021AG	710	GB	38	
				621	932	1242						1.00	1242	56C	LF-926-50-B5-G	GLF5026AG	974	GB	60	
29	60:1		218	288								0.33	288	56C	LF-915-60-B5-G	GLF6015AG	561	GB	30	
			220	290								0.47	413	56C	LF-918-60-B5-G	GLF6018AG	575	GB	32	
			317	418	634							0.50	634	56C	LF-921-60-B5-G	GLF6021AG	710	GB	38	
				473	716	1074						0.82	1166	56C	LF-926-60-B5-G	GLF6026AG	974	GB	60	
						1100	1467	2200				1.54	2255	56C	LF-932-60-B5-G	GLF6032AG	1,419	GB	100	
						1100	1467	2200				1.54	2255	140TC	LF-932-60-B7-G	GLF6032BG	1,419	GB	100	

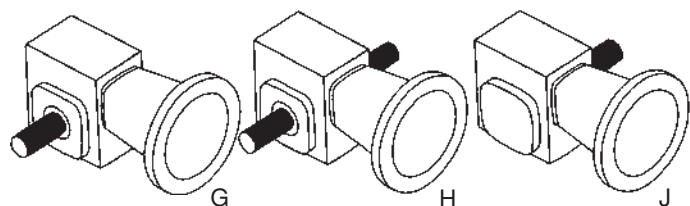
NOTE: Service Class I Torque Ratings (1.0 Service Factor)
 Service Class II Torque Ratings (≥ 1.4 Service Factor)
 Service Class III Torque Ratings (≥ 2.0 Service Factor)

Optional Shaft Positions, Base Installation and Motor Mounting available through Mod Express.
Refer to a Baldor District Office for pricing and delivery.

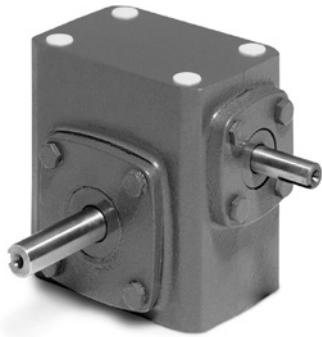
Vertical motor below gearhead not recommended.
Avoiding those positions where the high speed oil seal is immersed in oil, will provide greater security against high speed input seal wear.
Replacement oil – 1 Qt P/N MJ0006A05SP (Klubersynth UH1-6-460)

ATTENTION: Additional ratios, ratings and mounting configurations are available.
Need a fully assembled gearmotor? Have your reducer and motor coupled by utilizing M34D from the Baldor Mod Express section.
Please contact your local Baldor representative for assistance.

Assembly Types



900 Series – Right Angle – Solid Shaft



GS3018G Shown

Features:

- Heavy duty cast iron construction
- Bronze gearing
- Tapered roller bearings on output
- Industry-standard mounting
- Food grade synthetic gear oil
- Vent-free housing prevents contamination

Applications:

- Conveyors
- Material handling
- Textile machines
- Packaging machinery
- Metering pumps

Nominal Output RPM @ 1750 RPM In	Gear Ratio	Continuous Duty Output Torque (In-lbs) Based on 1750 RPM Motor										Max Input Hp	Max Output Torque Rating In-lbs	Style Number	Catalog Number	List Price	Mult. Sym.	Ap'x Shpg. Wgt.	
		0.25	0.33	0.5	0.75	1	1.5	2	3	5	7.5								
175	10:1				214	285	428					1.50	428	S-918-10-G	GS1018G	482	GB	25	
						312	468	624				2.02	630	S-921-10-G	GS1021G	568	GB	28	
								492	655				3.59	1177	S-926-10-G	GS1026G	798	GB	50
117	15:1	96	127	193								0.66	225	S-915-15-G	GS1515G	476	GB	21	
				209	314	419							1.07	448	S-918-15-G	GS1518G	482	GB	25
				246	369	492							1.35	664	S-921-15-G	GS1521G	568	GB	28
88	20:1		165	251	376							0.92	461	S-918-20-G	GS2018G	482	GB	25	
				323	484	645							1.06	684	S-921-20-G	GS2021G	568	GB	28
					451	602	902						1.72	1038	S-924-20-G	GS2024G	708	GB	38
						609	913	1218					2.15	1308	S-926-20-G	GS2026G	798	GB	50
		156	206	312									0.51	318	S-915-25-G	GS2515G	476	GB	21
58	30:1	148	195									0.42	248	S-913-30-G	GS3013G	461	GB	18	
			216	327									0.72	470	S-918-30-G	GS3018G	482	GB	25
			275	416	624								0.83	691	S-921-30-G	GS3021G	568	GB	28
					641	854	1281						1.54	1313	S-926-30-G	GS3026G	798	GB	50
		208	275										0.38	317	S-915-40-G	GS4015G	476	GB	21
44	40:1	180	238	360								0.64	461	S-918-40-G	GS4018G	482	GB	25	
			340	515									0.66	680	S-921-40-G	GS4021G	568	GB	28
				524	786	1049							1.23	1296	S-926-40-G	GS4026G	798	GB	50
		222	294										0.49	436	S-918-50-G	GS5018G	482	GB	25
35	50:1	280	370	561								0.59	651	S-921-50-G	GS5021G	568	GB	28	
				621	932	1242							1.00	1242	S-926-50-G	GS5026G	798	GB	50
		179											0.28	201	S-913-60-G	GS6013G	461	GB	15
29	60:1	218	288									0.33	288	S-915-60-G	GS6015G	476	GB	21	
		220	290									0.47	413	S-918-60-G	GS6018G	482	GB	25	
		317	418	634									0.50	634	S-921-60-G	GS6021G	568	GB	31
			458	693									0.69	958	S-924-60-G	GS6024G	708	GB	38
			473	716	1074								0.82	1166	S-926-60-G	GS6026G	798	GB	50

NOTE: Service Class I Torque Ratings (1.0 Service Factor) Optional Shaft Positions and Base Installation available through Mod Express.
 Service Class II Torque Ratings (≥ 1.4 Service Factor) Refer to a Baldor District Office for pricing and delivery.
 Service Class III Torque Ratings (≥ 2.0 Service Factor)

Vertical motor below gearhead not recommended.
 Avoiding those positions where the high speed oil seal is immersed in oil, will provide greater security against high speed input seal wear.
 Replacement oil – 1 Qt P/N MJ0006A05SP (Klubersynth UH1-6-460)

ATTENTION: Additional ratios, ratings and mounting configurations are available.
 Need a fully assembled gearmotor? Have your reducer and motor coupled by utilizing M34D from the Baldor Mod Express section.
 Please contact your local Baldor representative for assistance.

Definite Purpose Motors

Unit Handling Motors

Brake Motors

IEC Frame Motors

50 Hertz Motors

Inverter/Vector Motors & Controls

DC Motors and Controls

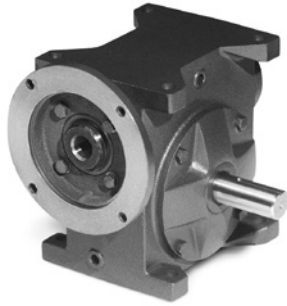
Gearmotors and Gear Products

Motor Accessories

Grinders

Universal Series – Right Angle – Quill Type – Solid Shaft

1.33 thru 3.50 CD



GSF2018AA Shown

Features:

- Heavy duty cast iron construction
- Cast integral mount feet top and bottom
- Bronze gearing
- Tapered roller bearings on output
- Classic industry-standard mounting
- Food grade synthetic gear oil
- Vent-free housing prevents contamination

Applications:

- Conveyors
- Material handling
- Textile machines
- Packaging machinery
- Metering pumps

Nominal Output RPM @ 1750 RPM In	Gear Ratio	Continuous Duty Output Torque (In-lbs) Based on 1750 RPM Motor										Max Input Hp	Max Output Torque Rating In-lbs	NEMA Motor Mount	Style Number	Catalog Number	List Price	Mult. Sym.	Ap'x Shpg. Wgt.
		0.18	0.25	0.33	0.5	0.75	1	1.5	2	3	5								
175	10:1			109	163							0.64	207	56C	STF-133-10-A-A	GSF1013AA	629	GB	21
						245	327					1.22	396	56C	STF-175-10-A-A	GSF1018AA	689	GB	22
						245	327					1.22	396	140TC	STF-175-10-B-A	GSF1018BA	689	GB	23
						244	325	488				1.77	572	56C	STF-200-10-A-A	GSF1020AA	821	GB	30
							325	488				1.77	572	140TC	STF-200-10-B-A	GSF1020BA	821	GB	29
							325	488	651			2.44	788	140TC	STF-225-10-B-A	GSF1023BA	932	GB	32
								488	651			3.43	1109	140TC	STF-258-10-B-A	GSF1026BA	1,188	GB	49
									651	976		3.43	1109	180TC	STF-258-10-C-A	GSF1026CA	1,188	GB	55
117	15:1			119	159							0.46	221	56C	STF-133-15-A-A	GSF1513AA	629	GB	21
				159	239	359						0.87	416	56C	STF-175-15-A-A	GSF1518AA	689	GB	23
					238	357	475					1.28	605	56C	STF-200-15-A-A	GSF1520AA	821	GB	29
						359	478	717				1.84	875	56C	STF-225-15-A-A	GSF1523AA	932	GB	34
							478	717				1.84	875	140TC	STF-225-15-B-A	GSF1523BA	932	GB	33
							478	717	956			2.50	1188	140TC	STF-258-15-B-A	GSF1526BA	1,188	GB	51
								717	956			3.25	1544	140TC	STF-300-15-B-A	GSF1530BA	1,357	GB	57
								717	956	1434		3.25	1544	180TC	STF-300-15-C-A	GSF1530CA	1,357	GB	61
88	20:1		102	154	205							0.36	220	56C	STF-133-20-A-A	GSF2013AA	629	GB	20
				205	308							0.68	419	56C	STF-175-20-A-A	GSF2018AA	689	GB	23
					308	462	616					1.00	612	56C	STF-200-20-A-A	GSF2020AA	821	GB	30
					308	462	616					1.00	612	140TC	STF-200-20-B-A	GSF2020BA	821	GB	28
					309	463	617					1.35	8.28	56C	STF-225-20-A-A	GSF2023AA	932	GB	34
					309	463	617					1.35	8.28	140TC	STF-225-20-B-A	GSF2023BA	932	GB	33
						461	615	923				1.92	1174	56C	STF-258-20-A-A	GSF2026AA	1,188	GB	51
							615	923				1.92	1174	140TC	STF-258-20-B-A	GSF2026BA	1,188	GB	51
					615	923	1230				2.52	1541	140TC	STF-300-20-B-A	GSF2030BA	1,357	GB	57	
						923	1230				2.52	1541	180TC	STF-300-20-C-A	GSF2030CA	1,357	GB	62	
							1230	1845			3.89	2363	180TC	STF-350-20-C-A	GSF2035CA	1,862	GB	93	

NOTE: Service Class I Torque Ratings (1.0 Service Factor)
 Service Class II Torque Ratings (≥ 1.4 Service Factor)
 Service Class III Torque Ratings (≥ 2.0 Service Factor)

Vertical motor below gearhead not recommended.

Avoiding those positions where the high speed oil seal is immersed in oil, will provide greater security against high speed input seal wear.
 Replacement oil – 1 Qt P/N MJ0006A05SP (Klubersynth UH1-6-460)

ATTENTION: Additional ratios, ratings and mounting configurations are available.

Need a fully assembled gearmotor? Have your reducer and motor coupled by utilizing M34D from the Baldor Mod Express section.
 Please contact your local Baldor representative for assistance.

Universal Series – Right Angle – Quill Type – Solid Shaft continued...

Nominal Output RPM @ 1750 RPM In	Gear Ratio	Continuous Duty Output Torque (In-lbs) Based on 1750 RPM Motor									Max Input Hp	Max Output Torque Rating In-lbs	NEMA Motor Mount	Style Number	Catalog Number	List Price	Mult. Sym.	Ap'x Shpg. Wgt.	
		0.18	0.25	0.33	0.5	0.75	1	1.5	2	3									5
70	25:1	123	186									0.29	218	56C	STF-133-25-A-A	GSF2513AA	629	GB	21
			186	247	371							0.55	406	56C	STF-175-25-A-A	GSF2518AA	689	GB	23
				247	371	557						0.81	601	56C	STF-200-25-A-A	GSF2520AA	821	GB	29
					375	563	751					1.09	814	56C	STF-225-25-A-A	GSF2523AA	932	GB	33
						744	1114	1489			2.08	1539	140TC	STF-300-25-B-A	GSF2530BA	1,357	GB	56	
58	30:1	145	218								0.24	214	56C	STF-133-30-A-A	GSF3013AA	629	GB	21	
			218	289							0.47	406	56C	STF-175-30-A-A	GSF3018AA	689	GB	22	
				289	435	652					0.77	665	56C	STF-200-30-A-A	GSF3020AA	821	GB	30	
					435	652					0.98	847	56C	STF-225-30-A-A	GSF3023AA	932	GB	33	
						435	652	869				1.35	1166	56C	STF-258-30-A-A	GSF3026AA	1,188	GB	50
							869	1304				1.74	1501	140TC	STF-300-30-B-A	GSF3030BA	1,357	GB	57
						869	1304	1739			2.82	2443	140TC	STF-350-30-B-A	GSF3035BA	1,862	GB	90	
44	40:1	181									0.19	206	56C	STF-133-40-A-A	GSF4013AA	629	GB	21	
		180	272	362							0.36	389	56C	STF-175-40-A-A	GSF4018AA	689	GB	11	
			272	362	543						0.52	568	56C	STF-200-40-A-A	GSF4020AA	821	GB	30	
				364	547						0.71	772	56C	STF-225-40-A-A	GSF4023AA	932	GB	33	
					545	817	1090				1.01	1095	56C	STF-258-40-A-A	GSF4026AA	1,188	GB	51	
						542	815	1087			1.36	1470	56C	STF-300-40-A-A	GSF4030AA	1,357	GB	57	
							542	815	1087		1.36	1470	140TC	STF-300-40-B-A	GSF4030BA	1,357	GB	54	
						1087	1630	2173		2.24	2405	140TC	STF-350-40-B-A	GSF4035BA	1,862	GB	87		
35	50:1	210									0.15	191	56C	STF-133-50-A-A	GSF5013AA	629	GB	21	
		210	316								0.28	360	56C	STF-175-50-A-A	GSF5018AA	689	GB	23	
		211	317	423							0.42	536	56C	STF-200-50-A-A	GSF5020AA	821	GB	30	
			317	422							0.55	693	56C	STF-225-50-A-A	GSF5023AA	932	GB	33	
				422	634	951					0.79	995	56C	STF-258-50-A-A	GSF5026AA	1,188	GB	51	
					634	952	1270				1.07	1350	140TC	STF-300-50-B-A	GSF5030BA	1,357	GB	57	
					952	1270	1904		1.75	2196	140TC	STF-350-50-B-A	GSF5035BA	1,862	GB	89			
29	60:1	235									0.24	343	56C	STF-175-60-A-A	GSF6018AA	689	GB	23	
		234	353	470							0.36	505	56C	STF-200-60-A-A	GSF6020AA	821	GB	29	
			346	461	692						0.51	702	56C	STF-225-60-A-A	GSF6023AA	932	GB	33	
				470	706						0.69	976	56C	STF-258-60-A-A	GSF6026AA	1,188	GB	51	
					706	1059					0.84	1179	56C	STF-300-60-A-A	GSF6030AA	1,357	GB	56	
					1059	1413	2119		1.50	2128	140TC	STF-350-60-B-A	GSF6035BA	1,862	GB	89			

NOTE: Service Class I Torque Ratings (1.0 Service Factor)
 Service Class II Torque Ratings (≥ 1.4 Service Factor)
 Service Class III Torque Ratings (≥ 2.0 Service Factor)

Optional Shaft Positions, Bases Installation and Motor Mounting available through Mod Express.
Refer to Baldor District Office for Price and Delivery.

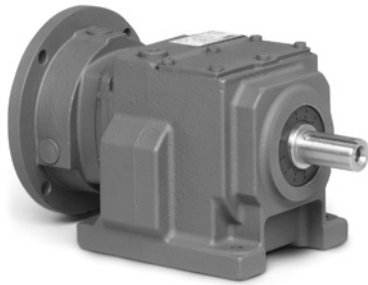
Vertical motor below gearhead not recommended.
Avoiding those positions where the high speed oil seal is immersed in oil, will provide greater security against high speed input seal wear.
Replacement oil – 1 Qt P/N MJ0006A05SP (Klubersynth UH1-6-460)

ATTENTION: Additional ratios, ratings and mounting configurations are available.
Need a fully assembled gearmotor? Have your reducer and motor coupled by utilizing M34D from the Baldor Mod Express section.
Please contact your local Baldor representative for assistance.

Definite Purpose Motors
 Unit Handling Motors
 Brake Motors
 IEC Frame Motors
 50 Hertz Motors
 Inverter/Vector Motors & Controls
 DC Motors and Controls
 Gearmotors and Gear Products
 Motor Accessories
 Grinders

Inline Helical

4 Sizes



Features:

- Heavy duty cast iron construction
- High torque in a compact design
- Clamp collar input connection
- Hardened and ground AGMA class 11 gears
- Synthetic gear oil lubrication

Applications:

- Conveyors
- Material handling
- Textile machines
- Packaging machinery

Nominal RPMs	Continuous Duty Output Torque (in-lbs.) Based on 1750 RPM Motors											Max Input Hp	Max Output Torque Rating In-lbs.	NEMA	Style Number	Catalog Number	List Price	Mult. Sym.	Ap'x. Shpg. Wgt.	
	0.33	0.50	0.75	1	1.5	2	3	5	7.5	10	15									20
180				349	524	698							2.02	705	56C	HB382CN56C-9	GIF0938A	998	GB	29
				524	699	1048							4.86	1698	140TC	HB382CN140TC-9	GIF0938B	998	GB	31
				524	699	1048							4.86	1698	180TC	HB382CN180TC-9	GIF0938C	1,093	GB	32
							1055	1758	2637				8.79	3090	180TC	HB482CN180TC-9	GIF0948C	1,578	GB	55
124													20.17	7067	210TC	HB682CN210TC-9	GIF0968D	2,472	GB	101
				510	766	1021							2.02	1031	56C	HB382CN56C-14	GIF1438A	998	GB	29
				766	1021	1532							3.77	1925	140TC	HB382CN56C-14	GIF1438B	998	GB	31
				1057	1586	2644							6.68	3532	180TC	HB482CN180TC-14	GIF1448C	1,578	GB	55
								2447	3670	4894			10.36	5070	180TC	HB682CN180TC-14	GIF1468C	2,472	GB	93
								2447	3670	4894			14.47	7081	210TC	HB682CN210TC-14	GIF1468D	2,472	GB	101
102													27.6	14540	250TC	HB882CN250TC-14	GIF1488E	3,810	GB	229
				468	623	935							1.84	1147	56C	HB382CN56C-18	GIF1838A	998	GB	29
				936	1248	1872							3.12	1947	140TC	HB382CN140TC-18	GIF1838B	998	GB	31
				1264	1896								4.86	3071	140TC	HB482CN140TC-18	GIF1848B	1,384	GB	54
				1264	1896	3162							5.91	3738	180TC	HB482CN180TC-18	GIF1848C	1,578	GB	85
							1776	2961	4441				9.95	5892	180TC	HB682CN180TC-18	GIF1868C	2,472	GB	93
							2963	4444	5926				11.95	7081	210TC	HB682CN210TC-18	GIF1868D	2,472	GB	101
70													23.91	14870	250TC	HB882CN250TC-18	GIF1888E	3,810	GB	229
				440	660	880							1.41	1241	56C	HB382CN56C-25	GIF2538A	998	GB	29
				881	1321	1762							2.21	1947	140TC	HB382CN140TC-25	GIF2538B	998	GB	31
				1435	1913	2869							3.92	3749	140TC	HB482CN140TC-25	GIF2548B	1,384	GB	54
				1910	2865								4.17	3983	180TC	HB482CN180TC-25	GIF2548C	1,578	GB	55
							2759	4598	6897				7.70	7081	180TC	HB682CN180TC-25	GIF2568C	2,472	GB	93
										6755	9007	13510	16.51	14870	210TC	HB882CN210TC-25	GIF2588D	3,589	GB	178
										6755	9007	13510	16.51	14870	250TC	HB882CN250TC-25	GIF2588E	3,810	GB	229
44	465	705	1057										0.95	1339	56C	HB382CN56C-40	GIF4038A	998	GB	29
	746	1118	1491										1.12	1670	56C	HB482CN56C-40	GIF4048A	1,384	GB	52
				1486	2229	2972							2.68	3983	140TC	HB482CN140TC-40	GIF4048B	1,384	GB	54
				2718	4077	6796							5.21	7081	180TC	HB682CN180TC-40	GIF4068C	2,472	GB	93
33													11.08	14870	210TC	HB882CN210TC-40	GIF4088D	3,589	GB	178
	691	1047	1570										0.93	1947	56C	HB383CN56C-56	GIF5638A	1,205	GB	29
				1509	2012	3017							1.98	3983	56C	HB483CN56C-56	GIF5648A	1,518	GB	52
				2601	3468	5203							3.04	5272	140TC	HB682CN140TC-50	GIF5068B	2,279	GB	92
						3655	5483	9138					5.58	10198	180TC	HB882CN180TC-50	GIF5088C	3,589	GB	178

NOTE: Service Class I Torque Ratings (1.0 Service Factor)
 Service Class II Torque Ratings (≥ 1.4 Service Factor)
 Service Class III Torque Ratings (≥ 2.0 Service Factor)

ATTENTION: Additional ratios, ratings and mounting configurations are available. Please contact your local Baldor representative for assistance.

Ratio Multiplier – Inline – Quill Type – Solid Shaft

2 Sizes



Features:

- Heavy duty cast iron construction
- High efficient helical gearing
- Internal compression chamber for oil expansion
- Synthetic gear oil lubrication
- Universal mounting positions

Applications:

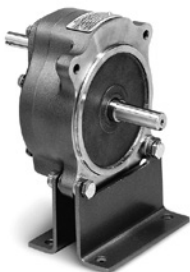
- Reducer or Incomer*
- Multiply overall reduction ratio
- Couples to C-faced gear reducer on integral gearmotor
- Can be used as stand-alone inline reduce

* Custom style "SX" can be back driven to increase motor speed. Max output speed, 4500 RPMS.

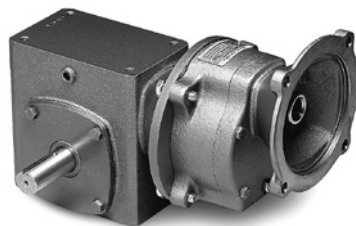
Size	Output RPM @ 1750 RPM in.	Gear Ratio	Input Style	Output Style	Catalog Number	List Price	Mult. Sym.	Ap'x. Shpg. Wgt.	Type
1	875	2:1	56C	56C	GCF2X01AA	459	GB	17	FX1-2-B5-56C
	583	3:1	56C	56C	GCF3X01AA	459	GB	17	FX1-3-B5-56C
	438	4:1	56C	56C	GCF4X01AA	459	GB	17	FX1-4-B5-56C
	350	5:1	56C	56C	GCF5X01AA	459	GB	19	FX1-5-B5-56C
2	875	2:1	140TC	140TC	GCF2X02BB	553	GB	28	FX2-2-B7-140TC
	583	3:1	140TC	140TC	GCF3X02BB	553	GB	28	FX2-3-B7-140TC
	438	4:1	140TC	140TC	GCF4X02BB	553	GB	29	FX2-4-B7-140TC
	350	5:1	56C	140TC	GCF5X02AB	553	GB	29	FX2-5-B5-140TC
	350	5:1	140TC	140TC	GCF5X02BB	553	GB	28	FX2-5-B7-140TC

Ratings at 1750 RPM Input

Size	Ratio	Output RPM	Input Hp	Output Hp	Output Torque	Output Shaft OHL
1	2:1	875	2.06	1.96	141	173
	3:1	583	1.70	1.62	175	203
	4:1	438	1.50	1.42	205	224
	5:1	350	1.13	1.08	194	247
2	2:1	875	12.42	12.17	877	445
	3:1	583	8.68	8.42	911	445
	4:1	438	6.34	6.15	885	445
	5:1	350	5.40	5.17	931	360



BRMX01 with Style SX1 Ratio Multiplier



Ratio Multiplier with F900 Series Reducer

Optional Base Kits

Size	Catalog Number	List Price	Mult. Sym.	Ap'x. Shpg. Wgt.
1	BRMX01	67	A8	6
2	BRMX02	117	A8	2

ATTENTION: Additional ratios, ratings and mounting configurations are available. Please contact your local Baldor representative for assistance.

900 Series – Right Angle – Base Kits



Horizontal Base



J Base



Vertical Base



Washdown Base

Base Description	Size (Position)	Catalog Number	List Price	Mult. Sym.	Ap'x. Shpg. Wgt.
HORIZ.	913 (A,B)	B13H71	67	A8	5
VERT. low	913 (D,F)	B13V81	117	A8	2
VERT. high	913 (C,E)	B13V91	118	A8	3
VERT. J	913 (X,Y)	B13J92	243	A8	3
HORIZ.	915 (A,B)	B15H71	47	A8	3
VERT. low	915(D,F)	B18V81	121	A8	3
VERT. high	915 (C,E)	B18V91	122	A8	3
VERT. J	915 (X,Y)	B18J92	246	A8	6
HORIZ.	918 (A,B)	B18H71	81	A8	6
VERT. low	918 (D,F)	B18V81	121	A8	3
VERT. high	918 (C,E)	B18V91	122	A8	3
VERT. J	918 (X,Y)	B18J92	246	A8	6
HORIZ.	921G (A,B)	B21GH71	84	A8	5
HORIZ.	921 (A,B)	B21H71	87	A8	6
VERT. low	921 (D,F)	B21V81	132	A8	4
VERT. high	921 (C,E)	B21V91	136	A8	6
VERT. J	921 (X,Y)	B21J92	260	A8	7
HORIZ.	924 (A,B)	B24H71	105	A8	8
VERT. low	924 (D,F)	B24V81	148	A8	4
VERT. high	924 (C,E)	B24V91	160	A8	6
VERT. J	924 (X,Y)	B24J92	276	A8	9
HORIZ.	926 (A,B)	B26H71	117	A8	9
VERT. low	926 (D,F)	B26V81	199	A8	6
VERT. high	926 (C,E)	B26V91	202	A8	9
VERT. J	926 (X,Y)	B26J92	327	A8	10
HORIZ.	930 (A,B)	B30H71	133	A8	4
VERT. low	930 (D,F)	B30V81	199	A8	8
VERT. high	930 (C,E)	B30V91	202	A8	16
HORIZ.	932 (A,B)	B32H71	158	A8	13
VERT. low	932 (D,F)	B32V81	234	A8	10
VERT. high	932 (C,E)	B32V91	240	A8	13
HORIZ.	938 (A,B)	B38H71	189	A8	15
VERT. low	938(D,F)	B38V81	281	A8	38
VERT. high	938(C,E)	B38V91	295	A8	36
Optional Washdown Base Kits					
HORIZ.	913 (A,B)	WDB13H71	87	A8	3
HORIZ.	915 (A,B)	WDB15H71	87	A8	4
HORIZ.	918 (A,B)	WDB18H71	108	A8	6
HORIZ.	921 (A,B)	WDB21H71	114	A8	6
HORIZ.	924 (A,B)	WDB24H71	123	A8	8
HORIZ.	926 (A,B)	WDB26H71	139	A8	9
HORIZ.	930 (A,B)	WDB30H71	154	A8	6
HORIZ.	932 (A,B)	WDB32H71	181	A8	13
Optional Stainless Steel Base Kits					
HORIZ	918 (A,B)	SSB18H71	395	A8	8
HORIZ	921 (A,B)	SSB21H71	411	A8	10
HORIZ	926 (A,B)	SSB26H71	454	A8	13

Kit includes angle bases and hardware. Converts style STF to SVF.

Size	NEMA Flange	Catalog Number	List Price	Mult. Sym.	Ap'x. Shpg. Wgt
133-175	56C/140TC	B1317V81	118	A8	2
200-225	56C/140TC	B2022V81	123	A8	3
258-300	56C/140TC	B2530V81	191	A8	4
258-300	180TC	B2530V81	191	A8	4
350	56C/140TC 180TC/210TC	B3500V81	221	A8	5

Universal Series – Right Angle – Base Kits



Definite Purpose Motors

Unit Handling Motors

Brake Motors

IEC Frame Motors

50 Hertz Motors

Inverter/Vector Motors & Controls

DC Motors and Controls

Gearmotors and Gear Products

Motor Accessories

Grinders

**NEMA C-Face
Flange Kits
(coupling type)**



Flange adapts NEMA C face motors to 900 Series type S reducers. Includes flange, flexible coupling and mounting hardware.

Size	NEMA Flange	Catalog Number	List Price	Mult. Sym.	Ap'x. Shpg. Wgt
913	56C	SFL913B5	183	A8	8
915	56C	SFL918B5	183	A8	9
	140TC	SFL918B7	183	A8	8
918	56C	SFL918B5	183	A8	9
	140TC	SFL921B5	203	A8	11
921	56C	SFL921B7	203	A8	11
	140TC	SFL924B5	203	A8	11
924	56C	SFL924B7	203	A8	11
	140TC	SFL926B5	261	A8	14
926	56C	SFL926B7	261	A8	15
	140TC	SFL926B7	261	A8	15

Riser Block Kits



Riser Blocks permit the gearbox to be mounted in the most desirable position (high speed input shaft above the oil level). They mount on top of the gearbox to provide clearance between the motor and the mounting surface. Kit includes the Riser Block and attachment bolts.

Size	NEMA Flange	Catalog Number	List Price	Mult. Sym.	Ap'x. Shpg. Wgt
913	56C	RBK13B5	69	A8	5
915	56C/140TC	RBK15B5	87	A8	5
918	56C/140TC	RBK18B5	108	A8	5
921	56C/140TC	RBK21B5	139	A8	5
924	56C/140TC	RBK24B5	146	A8	5
	180TC	RBK24B9	276	A8	10
926	56C/140TC	RBK26B5	154	A8	8
	180TC	RBK26B9	336	A8	11
930	56C/140TC	RBK30B5	174	A8	15
	180TC	RBK30B9	373	A8	15
932	56C/140TC	RBK32B5	234	A8	8
	180TC	RBK32B9	461	A8	15

Torque Arm Kits



Kit includes turnbuckle and both mounting brackets. Secures hollow shaft reducer to application.

Size	Catalog Number	List Price	Mult. Sym.	Ap'x. Shpg. Wgt.
H50	TA05HK	88	A8	2
913	TA13HK	170	A8	2
918	TA18HK	188	A8	2
921	TA21HK	210	A8	6
924	TA24HK	211	A8	2
926	TA26HK	215	A8	2
930	TA30HK	219	A8	2
932	TA32HK	224	A8	6
938	TA38HK	234	A8	2

Output Flange Kits



Size	Catalog Number	List Price	Mult. Sym.	Ap'x. Shpg. Wgt.
913	FL13HK	110	A8	2
915	FL15HK	118	A8	6
918	FL18HK	123	A8	3
921	FL21HK	138	A8	3
924	FL24HK	196	A8	4
926	FL26HK	211	A8	6
930	FL30HK	219	A8	6
932	FL32HK	227	A8	12
938	FL38HK	235	A8	12

Bushing Kits for Hollow Shaft Reducers

Size	Shaft Diameter	Catalog Number	List Price	Mult. Sym.	Size	Shaft Diameter	Catalog Number	List Price	Mult. Sym.
918	3/4	BU100H012	139	A8	924/926	1-1/4	BU107H104	170	A8
	7/8	BU100H014	139	A8		1-5/16	BU107H105	170	A8
	15/16	BU100H015	158	A8	930/932	1.00	BU115H100	234	A8
924/926	15/16	BU107H015	170	A8		1-7/16	BU115H107	234	A8
	1	BU107H100	170	A8		1-1/2	BU115H108	234	A8
	1-1/8	BU107H102	170	A8		1-5/8	BU115H110	234	A8
	1-3/16	BU107H103	170	A8		1-11/16	BU115H111	234	A8
					1-3/4	BU115H112	234	A8	

Stainless Steel Bushing

Size	Shaft Diameter	Catalog Number	List Price	Mult. Sym.
918	3/4	SSBU100H012	166	A8
918	7/8	SSBU100H014	166	A8
918	15/16	SSBU100H015	166	A8
921	15/16	SSBU104H015	105	A8
921	1	SSBU104H100	105	A8
926	15/16	SSBU107H015	199	A8
926	1	SSBU107H100	199	A8
926	1-1/8	SSBU107H102	199	A8
926	1-3/16	SSBU107H103	199	A8
926	1-1/4	SSBU107H104	199	A8
926	1-5/16	SSBU107H105	199	A8

Double Reduction Adapter Kits

900 series double reduction units may be assembled from stock single reduction units using the adapter kits.

Catalog Number	Primary Unit (a)	Secondary Unit (b)	List Price	Mult. Sym.
DR913X913B5	913	913-B5	183	A8
DR913X918B5	913	918-B5	191	A8
DR913X921B5	913	921-B5	202	A8
DR913X924B5	913	924-B5	202	A8
DR913X926B5	913	926-B5	219	A8
DR918X924B7	918	924-B7	219	A8
DR918X926B7	918	930-B7/926-B7	227	A8
DR918X932B7	918	932-B7	227	A8
DR924X938B9	924	938-B9	227	A8

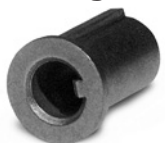
NOTE: Each adapter kit consists of: 1 Adapter; 1 Seal (Installed); 1 Shim Set; 4 Screws; 1 Bearing Cup (Installed); 4 Lock Washers; and 1 Sealant Package.

(a) Any style except Hollow Shaft

(b) F and HF styles only

Bushing Kit

Reduces bore size of Quill type input shafts from 7/8 to 5/8. Sintered metal bushing with integral internal and external keys.



Catalog Number	List Price	Mult. Sym.
133-6FBA	69	A8

Definite Purpose Motors

Unit Handling Motors

Brake Motors

IEC Frame Motors

50 Hertz Motors

Inverter/Vector Motors & Controls

DC Motors and Controls

Gearmotors and Gear Products

Motor Accessories

Grinders

C-Face Kits for Field Conversion – NEMA AC Motors



Features: Complete kits with all hardware necessary for converting Baldor 56 through 449T frame rigid base motors to “C-Face” mounting with base. For Baldor conversion, refer to the Mod Express section in this catalog. Please furnish the motor specification number when ordering. NEMA “BA” dimension will be non-standard after conversion on NEMA 143-5T, 182-4T, 213-5T and 254-6T frame motors.

Catalog Number	Description Frame (Baldor Type)	Enclosure	Bearing	List Price	Mult. Sym.	Ap'x. Shpg. Wgt.
34-3900T	48C (34)	TEFC	6203	60	A8	1
34-171	56C (34)	TEFC	6203	60	A8	2
34-3300FD	56C (34) W/Lip Seal	TEFC	6203	69	A8	2
34-3903A	143-5TC (34)	ODP	6205	73	A8	2
34-3903A-GLD	143-5TC (34)	ODP	6205	73	A8	2
34-3903T	143-5TC (34)	TEFC	6205	76	A8	2
34-3903T-GLD	143-5TC (34)	TEFC	6205	76	A8	2
35-8762	56C,143-5TC (35)	TEFC	6205	70	A8	3
35-8762GLD	56C,143-5TC (35)	TEFC	6205	70	A8	3
35-8764	56C,143-5TC (35)	ODP	6205	77	A8	3
35-8764GLD	56C,143-5TC (35)	ODP	6205	77	A8	3
35-3304	182-4TC (35)	TEFC	6206	85	A8	4
35-1300	56C,143-5TC (35)	TEFC	6205	120	A8	6
35-1300GLD	56C,143-5TC (35)	TEFC	6205	120	A8	6
35-3300FD	56C, 143-5TC (35) W/Lip Seal	TEFC	6205	138	A8	6
35-1325	182-4TC (35)	TEFC	6206	154	A8	11
35-1325GLD	182-4TC (35)	TEFC	6206	154	A8	11
35-1409	182-4TC (35)	ODP	6206	172	A8	11
35-1409GLD	182-4TC (35)	ODP	6206	172	A8	11
36-1037	182-4C (36)	TEFC	6206	137	A8	8
36-1037GLD	182-4C (36)	TEFC	6206	137	A8	7
36-3303FD	182-4C (36) W/Lip Seal	TEFC	6206	158	A8	8
36-3303FDA	182-4C (36) W/Lip Seal & Eyebolt Provision	TEFC	6206	158	A8	8
36-1206A	213-5TC (36)	OPSB	6207	176	A8	13
36-1206A-GLD	213-5TC (36)	OPSB	6207	176	A8	13
36-1206B	213-5TC (36)	ODP	6207	186	A8	14
36-1206B-GLD	213-5TC (36)	ODP	6207	186	A8	14
36-486	182-4C (36)	ODP	6206	194	A8	8
36-486GLD	182-4C (36)	ODP	6206	194	A8	8
36-3301	182-4TC (36)	TEFC	6206	99	A8	5
36-3301GLD	182-4TC (36)	TEFC	6206	99	A8	5
36-3403	182-4TC (36)	ODP	6206	116	A8	5
36-3403GLD	182-4TC (36)	ODP	6206	116	A8	5
36-1749	182-4TC (36)	TEFC	6206	173	A8	12
36-3301FD	182-4TC (36) W/Lip Seal	TEFC	6206	198	A8	12
36-3301FDA	182-4TC (36) W/Lip Seal & Eyebolt Provision	TEFC	6206	198	A8	12
36-1749GLD	182-4TC (36)	TEFC	6206	173	A8	12
37-1404	213-5C, TC (37)	ODP	6307	254	A8	14
37-1404GLD	213-5C, TC (37)	ODP	6307	254	A8	14
37-1304	213-5C, TC (37)	TEFC	6307	192	A8	12
37-1304GLD	213-5C, TC (37)	TEFC	6307	192	A8	12
37-3301FD	213-5C, TC (37) W/ Lip Seal	TEFC	6307	221	A8	12
37-1402	254-6UC, TC (37)	ODP	6309	274	A8	18
37-1402GLD	254-6UC, TC (37)	ODP	6309	274	A8	18
37-1302	254-6UC, TC (37)	TEFC	6309	292	A8	18
37-1302GLD	254-6UC, TC (37)	TEFC	6309	292	A8	18

NOTE: Specification number of motor should be verified when ordering.
Kits that have catalog numbers ending in “GLD” are for use on Super-E® gold motors.

	Catalog Number	Description Frame (Baldor Type)	Enclosure	Bearing	List Price	Mult. Sym.	Ap'x. Shpg. Wgt.
Definite Purpose Motors	09-1309	254-6UC, TC (09) ●	TEFC	6309	394	A8	22
	09-1309GLD	254-6UC, TC (09) ●	TEFC	6309	394	A8	22
Unit Handling Motors	09-1310	284-6UC, TC (09) ●	TEFC	6311	596	A8	22
	09-1310GLD	284-6UC, TC (09) ●	TEFC	6311	596	A8	22
	39-3400	254-6UC, TC (39)	ODP	6309	256	A8	19
	39-1403	284-6UC, TC (39)	ODP	6311	411	A8	21
Brake Motors	39-1403GLD	284-6UC, TC (39)	ODP	6311	411	A8	21
	10-1304	324-6UC, TC (10) ●	TEFC	6312	483	A8	32
	10-1304GLD	324-6UC, TC (10) ●	TEFC	6312	483	A8	32
	10-1305	284-6UC, TC (10) ●	TEFC	6311	457	A8	32
	10-1305ECP8	284-6TC, IEEE-841 (10) ●	TEFC	6311	894	A8	32
	10-1305GLD	284-6UC, TC (10) ●	TEFC	6311	457	A8	32
IEC Frame Motors	40-1400	284-6UC, TC (40)	ODP	6311	417	A8	30
	40-1400GLD	284-6UC, TC (40)	ODP	6311	417	A8	30
	40-1401	324-6 UC, TC (40) ●	ODP	6312	469	A8	40
	40-1401GLD	324-6 UC, TC (40) ●	ODP	6312	469	A8	40
	12-1105	324-6UC, TC (12)	TEFC	6312	563	A8	48
	12-1105ECP8	324-6TC, IEEE-841 (12)	TEFC	6312	1,124	A8	48
50 Hertz Motors	12-1105GLD	324-6UC, TC (12)	TEFC	6312	563	A8	48
	42-1300	324-6UC, TC (42) ●	ODP	6312	750	A8	36
	42-1300GLD	324-6UC, TC (42) ●	ODP	6312	750	A8	36
	K36G2	364-5UC, TC	TEFC	6313	730	A8	69
	K36G801	364-5TC IEEE-841	TEFC	6313	1,298	A8	75
	42-1400	364-5UC, TC (42) ●	ODP	6313	730	A8	30
Inverter/Vector Motors & Controls	42-1400GLD	364-5UC, TC (42) ●	ODP	6313	730	A8	30
	K40G2	404-5UC, TC E-Line Design	TEFC	6313	1,086	A8	69
	K40G71	404-5UC, TC G Series Design	TEFC	6313	1,665	A8	75
	K40G802	404-5TC G Series design: IEEE-841 ●	ODP	6313	1,722	A8	30
	K40G70	404-5UC, TC G Series Design ●	ODP	6313	1,086	A8	30
	K40G801	404-5TC G Series design: IEEE-841 **	TEFC	6316	2,448	A8	113
DC Motors and Controls	44-1402	404-5UC, TC (44) **	TEFC	6316 4 & 6 Pole	1,086	A8	120
	44-1402GLD	404-5UC, TC (44) **	TEFC	6316 4 & 6 Pole	1,086	A8	120
	44-1403	404-5UC, TSC (44) **	TEFC	6313 2 pole	1,086	A8	120
	44-1403GLD	404-5UC, TSC (44) **	TEFC	6313 2 pole	1,086	A8	120
	44-1403A	404-5USC, TSC (44)	ODP	6316	844	A8	40
	44-1403A-GLD	404-5USC, TSC (44)	ODP	6316	844	A8	40
Gearmotors and Gear Products	K44G50	444-5UC, TC E-Line design	ODP	6313	844	A8	40
	K44G51	447-9UC, TC E-Line design	ODP	6313	844	A8	40
	K44G70	444-9UC, TC G Series design	OPEN	6312	1,665	A8	40
	K44G801	444-9UC, TC G Series design: IEEE-841	OPEN	6312	2,448	A8	40
	K44G71	444-9UC, TC G Series design *	TEFC	6318, 4 & 6 pole	1,765	A8	249
	K44G802	444-9UC, TC G Series design: IEEE-841 *	TEFC	6318, 4 & 6 pole	2,448	A8	251

NOTE: Specification number of motor should be verified when ordering.

Kits that have catalog numbers ending in "GLD" are for use on Super-E® gold motors.

● = Suitable only for field conversion of motors manufactured with external rabbets on the stator housings.

** = Usable on catalog motors that have footnote #56.

* = Contact a District Office with nameplate specification number to determine correct kit.

**C-Face Kits
for Field Conversion
NEMA DC SCR Drive Motor**

Features: For non-laminated frame DC motors with catalog numbers ending in "P".



Catalog Number	Frame	Bearing	Enclosure	List Price	Mult. Sym.	Ap'x Shpg. Wgt.
180-5002	180ATC	6206	Drip-Proof	903	P1	18
210-5001	210ATC	6207	Drip Proof or Totally Enclosed	1,193	P1	12
250-5001	250ATC	6209	Drip Proof of Totally Enclosed	1,668	P1	75
280-5002	280ATC	6210	Drip Proof	2343	P1	57
320-5002	320ATC	6211	Drip Proof	3,080	P1	87
400-5001	400ATC	6214	Drip Proof or Totally Enclosed	5,722	P1	173

**Double C-Face Motor
Brake Kits**

Coil Voltage: 115/208-230

Features: Double C-Face coupler brakes. Mounts on motors with C-Face, provides NEMA C-face mounting on brake. Spring set, electrically released.



Brake Rating	Brake Mounting	Catalog Number	List Price	Mult. Sym.	Ap'x. Shpg. Wgt.
3 ft-lb	56C	CBK003-1	670	A8	12
6 ft-lb	56C	CBK006-1	986	A8	12
6 ft-lb	145TC	CBK006-2	986	A8	12
10 ft-lb	145TC	CBK010-1	1,150	A8	12
15 ft-lb	145TC	CBK015-1	2,457	A8	12

Definite Purpose Motors

Unit Handling Motors

Brake Motors

IEC Frame Motors

50 Hertz Motors

Inverter/Vector Motors & Controls

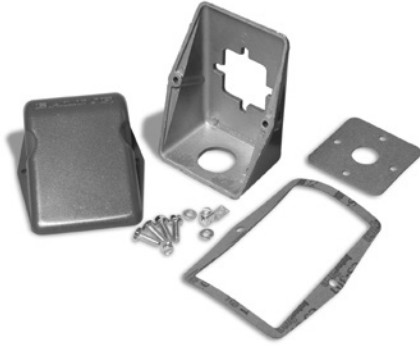
DC Motors and Controls

Gearmotors and Gear Products

Motor Accessories

Grinders

Conduit Box Kits



Frame Size	Catalog Number	List Price	Mult. Sym.	Ap'x Shpg. Wgt. Lbs.
Conduit Box Kit – Standard Size				
42	33CB5000A01SP	40	P1	1
42	33CB5001A01SP	40	P1	1
48	34CB5001A01SP	39	P1	1
56 - 143-5T	35CB5001A01SP	42	P1	1
182T-4T	36CB5001A01SP	45	P1	1
182T-4T	36CB5001A06SP	50	P1	2
182T-4T	36CB5001A07SP	70	P1	2
213T-5T	37CB5002A06SP	50	P1	3
213T-5T	37CB5002A07SP	45	P1	4
184T,215T,254-6	09CB5001A01SP	82	P1	3
184T,215T,254-6	09CB5001A15SP	69	P1	3
254-6T,284-6,324-6	10CB5001A01SP	109	P1	6
254-6T,284-6,324-6	10CB5002A01SP	132	P1	4
360T - Cast Iron	K36G8	365	P1	22
400T - Cast Iron	K40G8	365	P1	35
440T - Cast Iron	K44G8	375	P1	55
Conduit Box Kit – Oversize				
360T - Cast Iron	K36G9	375	P1	25
400T - Cast Iron	K40G9	375	P1	30
440T - Cast Iron	K44G9	445	P1	135

Frame Size	Catalog Number	List Price	Mult. Sym.
Auxiliary Conduit Box Kits			
360	K36G16	375	P1
400	K40G3	375	P1
440	K44G5	752	P1

Definite Purpose Motors

Unit Handling Motors

Brake Motors

IEC Frame Motors

50 Hertz Motors

Inverter/Vector Motors & Controls

DC Motors and Controls

Gearmotors and Gear Products

Motor Accessories

Grinders

D-Flange Kits



Complete kit with hardware necessary for converting either Foot Mount or C-Face 143T thru 326T motors to D-Flange mounting. Please note that using these kits to modify the 143T thru 184T foot mounted motors will result in a non-standard NEMA BA dimension. Modified C-Face motors will have standard BA dimensions. Please furnish the motor specification number when ordering.

NEMA Frame	Enclosure	Catalog Number	List Price	Mult. Sym.	Ap'x. Shpg. Weight Lbs.
143-145T (1)	TEFC	35EP1506A01SP	245	A8	8
182-184T (2)	TEFC	36EP1304A62SP	275	A8	15
286-286 U,T	TEFC	10EP1502A01SP	581	A8	39
324-326 U,T	TEFC	12EP1501A03SP	1,003	A8	50

NOTES:

- (1) 143T-145T foot mount motor modified with kit 35EP1506A01SP will have Non-standard NEMA BA dimension of 2.25".
- (2) 182T-184T foot mount motor modified with kit 36EP1304A62SP will have Non-standard NEMA BA dimension of 2.75".

Drain Fitting Kit



TEFC Motors 48 – 215T

Applications: Increase General Purpose IP44 enclosures to IP54 protection level by installing drain plugs in motor weep hole drains.

Features: Kit consists of quantity (2) plastic push in drain fittings and instructions for proper installation. Can be installed in steel band and cast iron frame motors.

Catalog Number	List Price	Mult. Sym.	Ap'x. Shpg. Wgt. Lbs.
HA5027A03	7	A8	1

Drip Covers for Field Conversion



Standard ODP Motors to Vertical Mount

Features: Complete kits with all hardware, attaches to endplate with no drilling. Designed to protect open steel band motors from rain, snow and ice when mounted outdoors in a vertical position. Primed and painted inside and out. For a Baldor conversion, refer to the Mod Express Section in this catalog.

Catalog Number	Frame	List Price	Mult. Sym.	Ap'x. Shpg. Wgt.
FCD34	48-56, Type 34	94	A8	1
FCD35 *	56-145T, Type 35 (Plastic)	25	A8	1
FCD35M *	56-145T, Type 35 (Metal)	94	A8	2
FCD36	182T-184T, Type 36	115	A8	2
FCD37	213T-256T, Type 37	139	A8	3
FCD39	254T-256T, Type 39	186	A8	3
FCD40	284-286, Type 40	199	A8	12
FCD42	324-326, Type 42	213	A8	5

NOTES:

* FCD35 is plastic. FCD35M is the metal version.

Definite Purpose Motors

Unit Handling Motors

Brake Motors

IEC Frame Motors

50 Hertz Motors

Inverter/Vector Motors & Controls

DC Motors and Controls

Gearmotors and Gear Products

Motor Accessories

Grinders

Cast Iron Fan Cover for Field Conversion



Standard TEFC Cast Iron Motors

Applications: For cast iron construction.

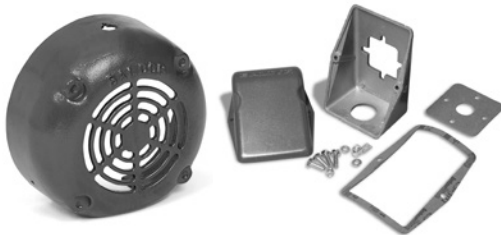
Features: Complete kits consists of cast iron fan covers and all necessary mounting hardware. These kits replace the standard steel fan cover when used. For a Baldor conversion, refer to the Mod Express Section in this catalog.

Catalog Number	Description	List Price	Mult. Sym.	Ap'x. Shpg. Wgt.
FFC05	05/143-5T	149	A8	6
FFC06	06/182-4T	160	A8	10
K18G8 **	06/182-4T E Line	160	A8	10
K18G9 **	07/213-5T E Line	160	A8	15
FFC09	09/254-6U & T	221	A8	20
K18G10 **	09/254-6T E Line	199	A8	20
K18G11 **	10/324-6T E Line	199	A8	25
K18G12 **	12/364-5T E Line	210	A8	35
FFC18 **	404-5T E Line	289	A8	90
FFC19 **	444-9T E Line	352	A8	120

NOTE: ** Contact District Office with nameplate specification number to determine correct kit.
Not available on 280 frame due to replacement of bearing, endplate, and mounting configuration.

SHADED RATINGS ARE CAST IRON FRAMES

Cast Iron Fan Cover and Conduit Boxes for Field Conversion



Standard TEFC Cast Iron Motors

Applications: For all Cast Iron construction.

Features: Complete kits consists of cast iron fan covers and cast iron conduit boxes when necessary. The kits also include all necessary mounting hardware. These kits replace the standard steel fan cover and aluminum conduit box when used. For a Baldor conversion, refer to the Mod Express Section in this catalog.

Catalog Number	Description	List Price	Mult. Sym.	Ap'x. Shpg. Wgt.
FFC07WB	07/213-5T	236	A8	19
FFC09WB	09/254-6U & T	324	A8	28
K36G50	360T	1,363	P1	123
K36G18	360T	1,363	P1	123

NOTE: NOT FOR USE ON EXPLOSION PROOF MOTORS.

SHADED RATINGS ARE CAST IRON FRAMES

Definite Purpose Motors

Unit Handling Motors

Brake Motors

IEC Frame Motors

50 Hertz Motors

Inverter/Vector Motors & Controls

DC Motors and Controls

Gearmotors and Gear Products

Motor Accessories

Grinders

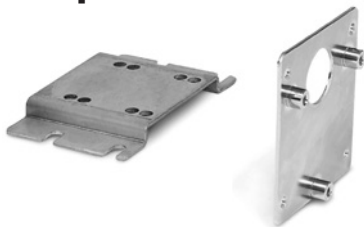
Gear Motor Accessories
Conduit Box Kit



Baldor 24 Frame stock gearmotors are designed to accommodate this optional conduit/capacitor box.

Motor Types	Kit Description	Catalog Number	List Price	Mult. Sym.	Ap'x. Shpg. Wgt.
2412, 2416, 2420, 2424	Combination Conduit/Capacitor Mounting Box Kit	BKP2400	60	A8	1

PSM Mounting Adapters



B92 is formed steel mounting base that bolts to machined surface on bottom of PSM gear box casting. Provides secure foot mounting of gear motor and drop-in interchangeability with other major manufacturers.

B93 is a three point face mounting adapter. Provides interchangeability with other manufacturers.

Catalog Number	Description	List Price	Mult. Sym.	Ap'x. Shpg. Wgt.
B92	Foot Mount	49	A8	1
B93	3 Point Face Mount	75	A8	1
B94	B Box Mounting Base Kit	84	A8	1

“L” Type Mounting Brackets



Applications: Mounting bracket for PSSH and PSL gearmotors. Securely mounts to gear face in 90 degree locations for floor, wall or ceiling mount. Bracket LB74 is not recommended for PSL/PSLH units weighing over 20 lbs. For units weighing more than 20 lbs. use LB75.

Catalog Number	Description	List Price	Mult. Sym.	Color	Ap'x. Shpg. Wgt
LB73	PSSH	49	A8	Black	2
LB74	PSL	69	A8	Black	2
LB75	PSL/PSLH	96	A8	Black	7
LB73GR	PSSH	49	A8	Baldor Grey	2
LB74GR	PSL/PSLH	69	A8	Baldor Grey	2
LB75GR	PSL	96	A8	Baldor Grey	7

H Gearbox Accessories



Baldor offers optional base and shaft kits for H style gearmotors. Adding a base and shaft kit allows them to be used in applications requiring a rightangle shaft extension. The shaft can be used for either right or left hand output applications.

Catalog Number	Description	List Price	Mult. Sym.	Ap'x. Shpg. Wgt.
B19H71	Horiz Base Kit	82	A8	1
SH10HS	Output Shaft Kit	26	A8	2
TA05HK	Torque Arm Kit	88	A8	2

Motors and Gearmotors UL, cUL and CSA Approvals



Product Type	CSA LR2262	UL E46145	CUL E46145
AC	Motor Models and Frames 24, 25, 33	Motor Models and Frames 24, 25, 33	
DC	Motor Models and Frames 73, 74: 90V Ratings Only Motor Models and Frames 25, 33: Not Restricted to 90 Volts	Motor Models and Frames 23, 25, 33, 73, 74, 125, 135	Motor Model and Frames 23, 125, 135

Adjustable Motor Bases

These motor bases simplify mounting and belt tension adjustment at installation and during later maintenance checks. These are heavy duty adjustable motor bases manufactured of steel or plate. All bases are detergent washed, painted with dark gray primer and oven baked for corrosion resistance. The nuts and bolts are zinc plated. NEMA 215T and smaller bases feature one adjusting screw. Bases for NEMA 254T frame and larger motors feature two adjusting screws. Motor mounting bolts are included. Bases listed can be used with motor frame numbers given and succeeded by the letters S, T, U, US and TS, or any other letter combinations provided the motors' base meets NEMA standards.



NEMA Frame Motors	Base Catalog Number	List Price	Mult. Sym.	No. of Adjusting Screws	Motor Mounting Bolt Size	Ap'x Shpg. Wgt.
48	B48T	107	A8	1	5/16 x 1	3
56	B56T	107	A8	1	5/16 x 1	5
143T	B143T	137	A8	1	5/16 x 1	6
145T	B145T	137	A8	1	5/16 x 1	7
182T	B182T	145	A8	1	3/8 x 1 1/2	10
184T	B184T	145	A8	1	3/8 x 1 1/2	10
213T	B213T	168	A8	1	3/8 x 1 1/2	14
215T	B215T	168	A8	1	3/8 x 1 1/2	15
254T	B254T	276	A8	2	1/2 x 1 3/4	21
256T	B256T	276	A8	2	1/2 x 1 3/4	21
284T	B284T	314	A8	2	1/2 x 2	24
286T	B286T	314	A8	2	1/2 x 2	24
324T	B324T	485	A8	2	5/8 x 2 1/2	34
326T	B326T	485	A8	2	5/8 x 2 1/2	37
364T	B364T	604	A8	2	5/8 x 2 1/2	48
365T	B365T	604	A8	2	5/8 x 2 1/2	50
404T	B404T	898	A8	2	3/4 x 3	62
405T	B405T	898	A8	2	3/4 x 3	66
444T	B444T	1,097	A8	2	3/4 x 3	70
445T	B445T	1,097	A8	2	3/4 x 3	71
447T	B447T	1,293	A8	2	3/4 x 3 1/2	93
449T	B449T	1,293	A8	2	3/4 x 3 1/2	99
G5008-G5012	B5000RLS (1)	1,948	A8	2	7/8 x 3 1/2	149

NOTE: Bases not suitable for vertical mounting. See base dimensions on next page.

(1) One adjustable motor rail.

Definite Purpose Motors

Unit Handling Motors

Brake Motors

IEC Frame Motors

50 Hertz Motors

Inverter/Vector Motors & Controls

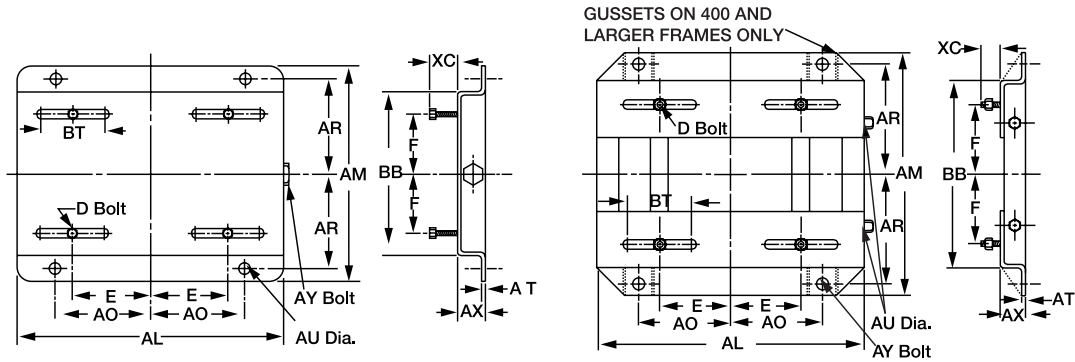
DC Motors and Controls

Gearmotors and Gear Products

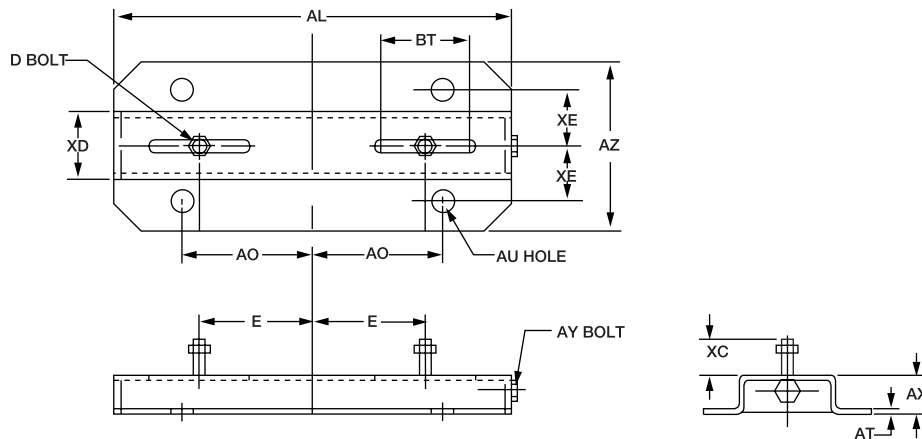
Motor Accessories

Grinders

Adjustable Motor Bases Dimension Diagrams



NEMA Frame	Catalog Number	E	F	AL	AM	AO	AR	AT	AU	AX	BB	BT	XC	D Bolt	AY Bolt
48	B48T	2.125	1.375	10.00	6.25	3.50	2.75	0.078	0.375	1.125	4.25	3.00	0.875	5/16 x 1	3/8 x 4
56	B56T	2.437	1.50	10.625	6.50	3.812	2.875				4.50				
143	B143T	2.75	2.00	10.50	7.50	3.75	3.375	0.109	0.375	1.125	5.50	3.00	0.812	5/16 x 1	3/8 x 4
145	B145T		2.50		8.50		3.875				6.50				
182	B182T	3.75	2.25	12.75	9.50	4.50	4.25	0.140	0.50	1.50	6.50	3.00	1.50	3/8 x 1-3/4	1/2 x 5
184	B184T		2.75		10.50		4.75				7.50				
213	B213T	4.25	2.75	15.00	11.00	5.25	4.75	0.156	0.50	1.75	7.50	3.50	1.50	3/8 x 1-3/4	1/2 x 5
215	B215T		3.50		12.50		5.50				9.00				
254	B254T	5.00	4.125	17.75	15.125	6.25	6.625	0.187	0.625	2.00	10.75	4.00	1.437	1/2 x 1-3/4	5/8 x 6
256	B256T		5.00		16.875		7.50				12.50				
284	B284T	5.50	4.75	19.75	16.875	7.00	7.50	0.187	0.625	2.00	12.514	4.50	1.687	1/2 x 2	5/8 x 6
286	B286T		5.50		18.375		8.25								
324	B324T	5.25	5.256	22.75	19.25	8.00	8.50	0.187	0.75	2.50	14.00	5.25	2.187	5/8 x 2-1/2	3/4 x 9
326	B326T				20.75		9.25				15.50				
364	B364T	7.00	5.625	25.50	20.50	9.00	9.125	0.25	0.75	2.50	15.50	6.00	2.062	5/8 x 2-1/2	3/4 x 9
365	B365T		6.625		21.50		9.625				16.50				
404	B404T	8.00	6.125	28.75	22.375	10.00	9.875	0.25	0.875	3.00	16.50	7.00	2.50	3/4 x 3	3/4 x 11
405	B405T		6.387		23.875		10.625				18.00				
444	B444T	9.00	7.25	31.25	24.625	11.00	11.00	0.25	0.875	3.00	19.25	7.50	2.50	3/4 x 3	3/4 x 11
445	B445T		8.25		26.625		12.00				21.25				
447	B447T	9.00	10.00	31.25	30.125	11.00	13.75	0.312	1.125	3.00	24.75	7.50	3.00	3/4 x 3-1/2	3/4 x 14
449	B449T		12.50		35.125		16.25				29.75				



NEMA Frame	Catalog Number	E	AL	AO	AL	AU	AX	AZ	BT	XC	XO	XE	D Bolt	AY Bolt
G5000	B5000RLS	10.00	35.00	12.50	0.312	1.00	3.50	12.00	8.00	3.00	6.00	4.50	7/8 x 3-1/2	7/8 x 16

DIMENSIONS ARE FOR REFERENCE ONLY, CONSULT A BALDOR DISTRICT OFFICE FOR CERTIFIED DIMENSIONS

Conversion Bases

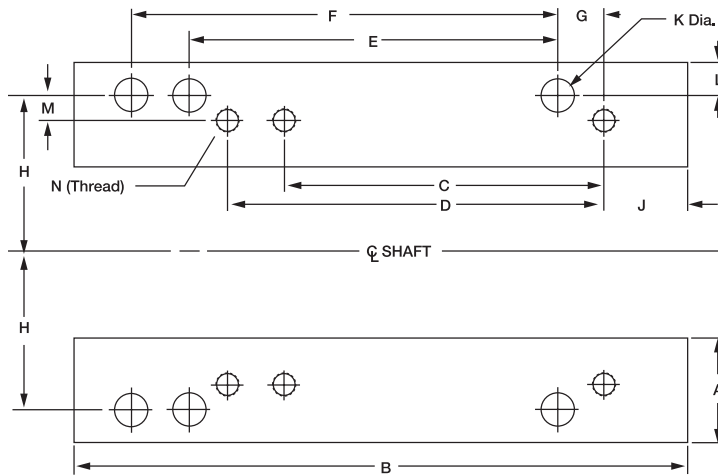


Consisting of right and left hand pieces that fit to existing mounting studs. The "T" frame motor is mounted to the pieces resulting in compensation for the difference in motor height, shaft position and mounting hole.

Catalog Number	Converts From "U" Frame	Converts To "T" Frame	List Price	Mult. Sym.	Ap'x Shpg. Wgt.	Height Inches	Width Inches	Length Inches	Thread
CB1814T	182/184	143T/145T	115	A8	2	1	2 1/4	7 1/2	5/16-18
CB2118T	213/215	182T/184T	162	A8	2	3/4	1 3/4	9 1/2	3/8-16
CB2521T	254U/256U	213T/215T	186	A8	6	1	2 7/16	12 3/4	3/8-16
CB2825T	284U/286U	254T/256T	251	A8	7	3/4	2 3/4	14 1/4	1/2-13
CB3228T	324U/326U	284T/286T	346	A8	9	1	3 1/4	15 3/4	1/2-13
CB3632T	364U/365U	324T/326T	426	A8	12	1	3 11/16	16 1/2	5/8-11
CB4036T	404U/405U	364T/365T	584	A8	20	1	4 1/4	18 5/8	5/8-11
CB5744T	449T	586T/576	2,458	A8	465	3 1/2	6 1/2	35 3/4	-
CB5049T	505U	449T	1,054	A8	164	1.50	4.50	28.00	3/4-10
CB5850S	5808/10	5008/10	7,847	A8	250	1.88	6.50	44.88	3/4-10
CB5850M	5810/11	5008/10	7,975	A8	320	1.88	6.50	50.00	3/4-10

NOTE: Dimensions are for one piece. Two pieces supplied. Design is for horizontal mounting. Motor shimming may be required for direct drive applications.

Conversion Bases Dimension Diagrams



Catalog Number	Converts From	Converts To	A	B	Height	C	D	E	F	G	H	J	K	L	M	N (Thread)
CB1814T	182-184	143T-145T	2.25	7.50	1.00	4.00	5.00	4.50	5.50	0.50	3.75	1.00	0.437	0.50	1.0	5/16-18
CB2118T	213-215	182T-184T	1.75	8.50	0.75	4.50	5.50	5.50	7.00	1.00	4.25	1.00	0.437	0.437	0.5	3/8-16
CB2521T	254U-256U	213T-215T	2.437	12.75	1.00	5.50	7.00	8.25	10.00	1.125	5.00	1.00	0.562	0.625	0.75	3/8-16
CB2825T	284U-286U	254T-256T	2.75	14.25	0.75	8.25	10.00	9.50	11.00	1.375	5.50	1.25	0.562	0.937	0.5	1/2-13
CB3228T	324U-326U	284T-286T	3.25	15.75	1.00	9.50	11.00	10.50	12.00	1.50	6.25	1.50	0.687	0.937	0.75	1/2-13
CB3632T	364U-365U	324T-326T	3.687	16.50	1.00	10.50	12.00	11.25	12.25	1.75	7.00	1.75	0.687	1.187	0.75	5/8-11
CB4036T	404U-405U	364T-365T	4.25	18.625	1.00	11.25	12.25	12.25	13.75	2.00	8.00	2.00	0.812	1.25	1.0	5/8-11
CB5744T	449T	586/587	6.50	36.75	3.50	25.00	32.00	22.00	25.00	2.50	-	3.5	1.19	2.00	2.50	-
CB5049T	505U	449T	4.50	28.00	1.50	25.00	-	18.00	-	1.00	9.00	1.50	0.94	1.50	1.00	3/4-10
CB5850S	5808/10	5008/10	6.50	44.88	1.88	25.00	32.00	28.00	36.00	2.50	10.00	2.88	0.91	2.75	1.50	3/4-10
CB5850M	5810/11	5008/10	6.50	50.00	1.88	25.00	32.00	36.00	40.00	3.50	11.50	2.88	0.91	2.75	1.50	3/4-10

NOTE: Where applicable, 5808, 5810, & 5811 frame dimensions will meet NEMA MG1. For all other dimensions, please reference chart above and confirm base and motor will work in your application.

Industrial Grinders

Define Purpose
Motors

Unit Handling
Motors

Brake Motors

IEC Frame
Motors

50 Hertz
Motors

Inverter/Vector
Motors & Controls

DC Motors
and Controls

Gearmotors and
Gear Products

Motor
Accessories

Grinders



600E

Cast aluminum wheel guards can be exhausted or left closed. 8-foot power cord. Base mounted on/off switch. Rubber feet minimize vibration.

Hp	RPM	Wheel Size	Catalog Number	List Price	Mult. Sym.	Shpg. Wgt.	Voltage	Style	Agency Approval	Notes
1/3	3600	6"x3/4"x1/2"	600E	343	G1	30	115	Grinder	UL	a,c,p
1/3	3600	6"x3/4"x1/2"	602E	343	G1	30	115	Grinder/Buffer	UL	b,c,p

EXERCISE CAUTION AND WEAR SAFETY GLASSES

Cast aluminum non-exhaust type wheel guards. 8-foot power cord. Base mounted on/off switch. Rubber feet to minimize vibration.

Hp	RPM	Wheel Size	Catalog Number	List Price	Mult. Sym.	Shpg. Wgt.	Voltage	Style	Agency Approval	Notes
1/3	3600	6"x3/4"x1/2"	612	388	G1	30	115	Grinder	UL, CSA	a,c,f,p
1/3	3600	6"x3/4"x1/2"	662	388	G1	29	115	Grinder/Buffer	UL, CSA	b,c,f,p

EXERCISE CAUTION AND WEAR SAFETY GLASSES



623E

Cast iron exhaust type wheel guards. 8-foot power cord. Base mounted on/off switch. Rubber feet to minimize vibration.

Hp	RPM	Wheel Size	Catalog Number	List Price	Mult. Sym.	Shpg. Wgt.	Voltage	Style	Agency Approval	Notes
1/4	1800	6"x3/4"x1/2"	632E	555	G1	47	115	Grinder		a,d,p
1/3	3600	6"x3/4"x1/2"	612E	524	G1	44	115	Grinder	UL, CSA	a,c,p
1/3	3600	6"x3/4"x1/2"	623E	555	G1	47	115	Grinder	UL	a,d,p
1/3	3600	6"x3/4"x1/2"	623ED	721	G1	61	115	Grinder		a,d,e
1/3	3600	6"x3/4"x1/2"	662E	524	G1	43	115	Grinder/Buffer	UL, CSA	a,c,p
1/3	3600	6"x3/4"x1/2"	673E	555	G1	45	115	Grinder/Buffer	UL	a,d,p

EXERCISE CAUTION AND WEAR SAFETY GLASSES



7306

Cast iron exhaust type wheel guards. 8-foot power cord. Base mounted on/off switch. Rubber feet to minimize vibration.

Hp	RPM	Wheel Size	Catalog Number	List Price	Mult. Sym.	Shpg. Wgt.	Voltage	Style	Agency Approval	Notes
1/2	3600	7"x1"x5/8"	712	563	G1	45	115	Grinder	UL, CSA	a,c,f,p
1/2	3600	7"x1"x5/8"	762	563	G1	43	115	Grinder/Buffer	UL, CSA	b,c,f,p
1/2	3600	7"x1"x5/8"	712E	660	G1	68	115	Grinder	UL, CSA	a,c,p
1/2	3600	7"x1"x5/8"	762E	660	G1	68	115	Grinder/Buffer	UL, CSA	b,c,p
1/2	1800	7"x1"x5/8"	7306	714	G1	70	115/230	Grinder	UL	a,d,g,p
1/2	3600	7"x1"x5/8"	7307	714	G1	70	115/230	Grinder	UL, CSA	a,d,g,p
1/2	3600	7"x1"x5/8"	7351	714	G1	67	115/230	Grinder/Buffer	UL, CSA	b,d,g,p
1/2	1800	7"x1"x5/8"	7308	714	G1	71	208-230/460	Grinder	UL, CSA	a,d,h,p
1/2	3600	7"x1"x5/8"	7309	714	G1	72	208-230/460	Grinder	UL, CSA	a,d,h,p
1/2	1800	7"x1"x5/8"	7306D	899	G1	84	115/230	Grinder	UL	a,d,e,g
1/2	3600	7"x1"x5/8"	7307D	899	G1	84	115/230	Grinder	UL	a,d,e,g
1/2	3600	7"x1"x5/8"	7309D	899	G1	87	208-230/460	Grinder	UL, CSA	a,d,e,h
1/2	1800	7"x1"x5/8"	7312D	1,087	G1	90	115	Grinder	UL	a,d,e

EXERCISE CAUTION AND WEAR SAFETY GLASSES

NOTES:

- (a) Supplied with 36 & 60 grit wheels.
- (b) Supplied with 36 grit and 0.014 wire wheel.
- (c) Stamp steel tool rests.
- (d) Cast iron tool rests.
- (e) Deluxe model includes water pot, tool tray and lighted eyeshields.
- (f) Non-exhaust type wheel guards.
- (g) Factory connected for 115 volts, power cord supplied.
- (h) Factory connected for 208-230 volts, no power cord.
- (p) Supplied with eye shield.

Industrial Grinders

All models have cast iron tool rests and exhaust type wheel guards. 8-foot power cord. Base mounted on/off switch. Rubber feet to minimize vibration.



8100W



8100WD

Hp	RPM	Wheel Size	Catalog Number	List Price	Mult. Sym.	Shpg. Wgt.	Voltage	Style	Agency Approval	Notes
3/4	1800	8"x1"x3/4"	8100W	1,081	G1	99	115/230	Grinder	UL	a,g,p
3/4	1800	8"x1"x3/4"	8100WD	1,234	G1	110	115/230	Grinder	UL	a,e,g
3/4	3600	8"x1"x3/4"	8107W	1,081	G1	99	115/230	Grinder	UL	a,g,p
3/4	3600	8"x1"x3/4"	8107WD	1,234	G1	111	115/230	Grinder	UL	a,e,g
3/4	3600	8"x1"x3/4"	8250W	1,081	G1	97	115/230	Grinder/Buffer	UL	b,g,p
3/4	1800	8"x1"x3/4"	8102W	1,047	G1	98	208-230/460	Grinder	UL, CSA	a,h,p
3/4	1800	8"x1"x3/4"	8102WD	1,215	G1	111	208-230/460	Grinder	UL, CSA	a,e,h
3/4	3600	8"x1"x3/4"	8123W	1,047	G1	99	208-230/460	Grinder	UL, CSA	a,h,p
3/4	3600	8"x1"x3/4"	8123WD	1,215	G1	112	208-230/460	Grinder	UL, CSA	a,e,h
3/4	3600	8"x1"x3/4"	8252W	1,047	G1	95	208-230/460	Grinder/Buffer		b,h,p
3/4	3600	8"x1"x3/4"	8125W	1,047	G1	99	575	Grinder	UL	a,i,p

EXERCISE CAUTION AND WEAR SAFETY GLASSES



1022W



1022WD

All models have cast iron tool rests and exhaust type wheel guards. Base mounted on/off switch. Rubber feet to minimize vibration.

Hp	RPM	Wheel Size	Catalog Number	List Price	Mult. Sym.	Shpg. Wgt.	Voltage	Style	Agency Approval	Notes
1	1800	10"X1"X7/8"	1022W	1,380	G1	133	115/230	Grinder	UL	a,j,p
1	1800	10"X1"X7/8"	1022WD	1,580	G1	145	115/230	Grinder	UL	a,e,j
1-1/2	1800	10"X1"X7/8"	1021W	1,360	G1	134	208-230/460	Grinder	UL, CSA	a,h,p
1-1/2	1800	10"X1"X7/8"	1021WD	1,558	G1	146	208-230/460	Grinder	UL, CSA	a,e,h
1-1/2	1800	10"X1"X7/8"	105W	1,360	G1	133	575	Grinder	UL, CSA	a,i,p

EXERCISE CAUTION AND WEAR SAFETY GLASSES

NOTES:

- (a) Supplied with 36 & 60 grit wheels.
- (b) Supplied with 36 grit and 0.014 wire wheel.
- (e) Deluxe model includes water pot, tool tray and lighted eyeshields.
- (g) Factory connected for 115 volts, power cord supplied.
- (h) Factory connected for 208-230 volts, no power cord.
- (i) 575 volt, 50/60 Hz.
- (j) Factory connected for 115 volts, no power cord.
- (p) Supplied with eye shield.

Industrial Grinders
12 Inch



BALDOR
Catalog #1215W
with #GA20 Pedestal
(sold separately)

Cast iron tool rests & exhaust type wheel guards. Manual starter with overload protection. Also includes lighted eyeshield (bulb not included). All three-phase units are suitable for 50/60 Hz, 1500/1800 RPM operation. Wheels sold separately. See chart below.

Hp	RPM	Wheel Size	Catalog Number	List Price	Mult. Sym.	Shpg. Wgt.	Voltage	Style	Agency Approval	Notes
2	1800	12"X2"X1-1/4"	1215W	3,102	G1	253	208-230/460	Grinder	CSA	k
3	1800	12"X2"X1-1/4"	1216W	3,212	G1	248	208-230/460	Grinder	CSA	k
2	1800	12"X2"X1-1/4"	1217W	3,285	G1	253	115/230	Grinder		J
3	1800	12"X2"X1-1/4"	129W	3,212	G1	256	575	Grinder	CSA	i

EXERCISE CAUTION AND WEAR SAFETY GLASSES

Cast iron tool rests & exhaust type wheel guards. Magnetic starter with overload protection. Also includes lighted eyeshields (bulbs not included). Suitable for 50/60 Hz operation. Wheels sold separately. See chart below.

Hp	RPM	Wheel Size	Catalog Number	List Price	Mult. Sym.	Shpg. Wgt.	Voltage	Style	Agency Approval	Notes
5	1800	14"X3"X1-1/4"	1406W	3,980	G1	359	230	Grinder	CSA	m
5	1800	14"X3"X1-1/4"	1410W	3,980	G1	362	460	Grinder		m
5	1800	14"X3"X1-1/4"	1408W	3,980	G1	358	575	Grinder	CSA	m
7-1/2	1800	14"X3"X1-1/4"	1407W	4,341	G1	372	230	Grinder	CSA	m
7-1/2	1800	14"X3"X1-1/4"	1411W	4,341	G1	381	208-230/460	Grinder		m
7-1/2	1800	14"X3"X1-1/4"	1409W	4,341	G1	374	575	Grinder	CSA	m

EXERCISE CAUTION AND WEAR SAFETY GLASSES

14 Inch



BALDOR
Catalog #1407W
with #GA20 Pedestal
(sold separately)

Wheels for 12-Inch and 14-Inch Grinders

High quality aluminum oxide and silicon abrasive in a premium vitrified system

Catalog Number	List Price	Mult. Sym.	Diameter	Face	Bore	Grit	Shpg. Wgt.
B125	238	A8	12"	2"	1-1/4"	30	22
B126	240	A8	12"	2"	1-1/4"	46	22
B147	449	A8	14"	3"	1-1/4"	30	42
B148	449	A8	14"	3"	1-1/4"	46	41

NOTE: When installing new wheels, check wheels for possible damage. Do not use a damaged wheel. With new wheel installed, all safety guards in place and operator standing away from front of grinder, run grinder for one minute before apply work.

EXERCISE CAUTION AND WEAR SAFETY GLASSES

NOTES:

- (i) 575 volt, 50//60 Hz.
- (j) Factory connected for 115 volts, no power cord.
- (k) Factory connected for 230, manual starter, specify voltage when ordering.
- (m) Factory connected for 230, magnetic starter must be changed for other voltages.

Definite Purpose Motors

Unit Handling Motors

Brake Motors

IEC Frame Motors

50 Hertz Motors

Inverter/Vector Motors & Controls

DC Motors and Controls

Gearmotors and Gear Products

Motor Accessories

Grinders

Industrial Tool Grinders

Diamond Wheel Grinder



Catalog #522

Baldor Diamond Wheel Tool Grinders feature all cast iron construction. Precision built, they have locked double row bearings and a maximum runout of .002 for precise tool and die work. Accommodates cup wheels with 1-1/4" center hole. Large tool tables with protractor type tool support. Light and water pot with spout and faucet that can be moved to either side are standard equipment. Diamond wheels sold separately. See chart below.

Hp	RPM	Cup Wheel Size	Catalog Number	List Price	Mult. Sym.	Shpg. Wgt.	Voltage	Style	Agency Approval	Notes
1/2	3600	6"x1"x1-1/4"	522	1,736	G1	108	115	Tool Grinder	UL	g
1/2	3600	6"x1"x1-1/4"	532	1,736	G1	109	208-230/460	Tool Grinder	UL	h

NOTE: Rough service bulb is suggested.

EXERCISE CAUTION AND WEAR SAFETY GLASSES

Carbide Tool Grinder



Catalog #500

Baldor Carbide Tool Grinders feature all cast iron construction. Accommodates cup wheels with 1-1/4" center hole. Large tool tables with protractor type tool support. Light and water pot with spout and faucet that can be moved to either side are standard equipment. Wheels sold separately. See chart below.

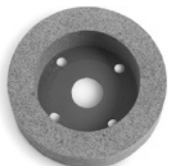
Hp	RPM	Wheel Size	Catalog Number	List Price	Mult. Sym.	Shpg. Wgt.	Voltage	Style	Agency Approval	Notes
1/2	3600	6"x1"x1-1/4"	500	1,544	G1	109	115	Tool Grinder	UL	g
1/2	3600	6"x1"x1-1/4"	510	1,544	G1	109	208-230/460	Tool Grinder	UL	h

NOTE: Rough service bulb is suggested

EXERCISE CAUTION AND WEAR SAFETY GLASSES



Catalog #D501



Catalog #C61

Wheels and Accessories

Catalog Number	List Price	Mult. Sym.	Shpg. Wgt.	Face	Grit	Description
D501	994	A8	5	3/4"	120	General Purpose Diamond Wheel
D502	994	A8	2	3/4"	220	Fine Finish Diamond Wheel
C61	217	A8	5	1"	60	Silicone Carbide
C121	217	A8	3	1"	120	Silicone Carbide
S46	143	A8	3	1"	46	Aluminum Oxide
S61	143	A8	3	1"	60	Aluminum Oxide
GA8	525	A8	1			Wheel Dresser with Diamond NIB
GA7	143	A8	1			Diamond NIB for GA8 (7/16 diameter x 1" long)

NOTE: When installing new wheels, check wheel for possible damage. Do not use a damaged wheel. With new wheel installed and all safety guards in place, and operator is standing away from front of grinder, run grinder for one minute before applying work.

EXERCISE CAUTION AND WEAR SAFETY GLASSES

NOTES:

- (g) Factory connected for 115 volts, power cord supplied.
- (h) Factory connected for 208-230 volts, no power cord.



GA8

GA7

Industrial Abrasive Belt Sanders

Baldor offers several options when it comes to industrial belt sanders, fixed and tiltable belts, grinder/sanders and even an adjustable speed sander for increased flexibility. All units come with a base mounted on/off switch. 602E-MT equipped with 2x36" 100 grit belt, all others 2x48" 80 grit belt.



Catalog #602E-MT Catalog #248-151D Catalog #248-181TD Catalog #248-151TD Catalog #248-151AS

Hp	RPM	Tiltable Belt	Catalog Number	List Price	Mult. Sym.	Shpg. Wgt.	Voltage	Style	Agency Approval	Notes
1/3	3600	Multi-Position	602E-MT	867	G1	47	115	Grinder/Belt Sander		g,n,r
1-1/2	3600	Fixed	2048-151D	1,777	G1	88	115/230	Belt Sander	UL	g
1-1/2	3600	Fixed	2048-153D	1,693	G1	76	208-230/460	Belt Sander	UL	h
1-1/2	3600	Three positions	248-151TD	1,966	G1	95	115/230	Belt Sander	UL	g
1-1/2	3600	Three positions	248-153TD	1,855	G1	84	208-230/460	Belt Sander	UL	h
1-1/2	3600	Three positions	248-181TD	2,267	G1	138	115/230	Grinder/Belt Sander		J,I,r
1-1/2	3600	Three positions	248-183TD	2,224	G1	128	208-230/460	Grinder/Belt Sander	UL	h,I,r
1-1/2	0-3600	Three positions	248-151AS	2,494	G1	105	115	Adjustable Speed		g,I

EXERCISE CAUTION AND WEAR SAFETY GLASSES

Industrial Buffers

Buffers are designed for use with soft cloth wheels **ONLY**. Specific buffing applications may require the addition of operator safety devices. Consult with a safety engineer before installation. Price includes flanges and nuts but **does not** include wheels.



Catalog #333B



Catalog #1458 with #GA20 Pedestal (sold separately)

Hp	RPM	Max. Wheel Size	Shaft Diameter	Catalog Number	List Price	Mult. Sym.	Shpg. Wgt.	Voltage	Agency Approval	Notes
1/4	1800	6"	1/2"	114	393	G1	24	115	UR	g,s
1/3	3600	6"	1/2"	111	393	G1	25	115	UR	g,s
3/4	1800	8"	3/4"	332B	772	G1	55	115/230	UR	g,s
3/4	3600	8"	3/4"	333B	772	G1	56	115/230	UR	g,s
3/4	1800	8"	3/4"	334B	754	G1	54	208-230/460	UR, CSA	h,s
3/4	3600	8"	3/4"	330B	754	G1	56	208-230/460	UR, CSA	h,s
1	1800	10"	7/8"	407B	1024	G1	60	115/230	UR	j,s
1-1/2	3600	10"	7/8"	410B	1007	G1	61	115/230	UR	j,s
1-1/2	1800	10"	7/8"	409B	983	G1	59	208-230/460	UR, CSA	h,s
1-1/2	3600	10"	7/8"	412B	983	G1	62	208-230/460	UR, CSA	h,s
2	1800	12"	1-1/4"	1250	2,373	G1	164	115/230	UR	k
2	3600	12"	1-1/4"	1251	2,305	G1	160	115/230	UR	k
3	1800	12"	1-1/4"	1252	2,179	G1	156	208-230/460	UR, CSA	k
3	3600	12"	1-1/4"	1253	2,117	G1	156	208-230/460	UR, CSA	k
5	1200	14"	1-1/4"	1457	3,181	G1	228	230	UR, CSA	m
5	1800	14"	1-1/4"	1458	2,708	G1	218	230	UR, CSA	m
7-1/2	1800	14"	1-1/4"	1454	3,024	G1	229	230	UR, CSA	m
7-1/2	3600	14"	1-1/4"	1453	2,862	G1	223	230	UR, CSA	m

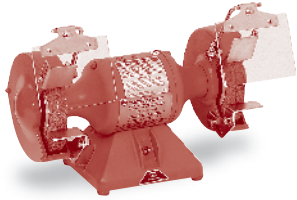
EXERCISE CAUTION AND WEAR SAFETY GLASSES

NOTES:

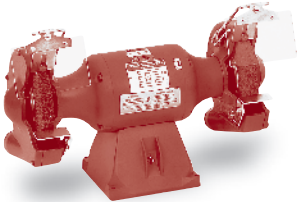
- (g) Factory connected for 115 volts, power cord supplied.
- (h) Factory connected for 208-230 volts, no power cord.
- (j) Factory connected for 115 volts, no power cord.
- (k) Factory connected for 230, manual starter, specify voltage when ordering.
- (l) Supplied with 8"x1"x3/4" 36 grit wheel and 80 grit belt.
- (m) Factory connected for 230, magnetic starter must be changed for other voltages.
- (n) Supplied with 0.014 wire wheel and 36" x 2" 100 grit belt.
- (r) Grinder side eye shield included.
- (s) Base mounted on-off switch.

Big Red Grinders

Big Red Grinders are available with 6", 7" or 8" wheels, equipped with base mounted on/off switch and 8 foot cord with plug. Rubber mounting feet help minimize vibration. Models ending in "E" have exhaust type wheel guards.



600RE



812RE

Hp	RPM	Wheel Size	Catalog Number	List Price	Mult. Sym.	Shpg. Wgt.	Voltage	Style	Agency Approval	Notes
1/3	3600	6"x3/4"x1/2"	600RE	343	G1	29	115	Grinder	UL	a,c,p
1/3	3600	6"x3/4"x1/2"	602RE	343	G1	29	115	Grinder/Buffer	UL	b,c,p
1/3	3600	6"x3/4"x1/2"	612R	388	G1	30	115	Grinder	UL, CSA	a,c,f,p
1/3	3600	6"x3/4"x1/2"	662R	388	G1	29	115	Grinder/Buffer	UL, CSA	b,c,f,p
1/2	3600	7"x1"x5/8"	712R	563	G1	45	115	Grinder	UL, CSA	a,c,f,p
1/2	3600	7"x1"x5/8"	762R	563	G1	43	115	Grinder/Buffer	UL, CSA	b,c,f,p
1/2	3600	7"x1"x5/8"	712RE	675	G1	68	115	Grinder	UL, CSA	a,c,p
1/2	3600	7"x1"x5/8"	762RE	675	G1	66	115	Grinder/Buffer	UL, CSA	b,c,p
3/4	3600	8"x1"3/4"	812RE	1022	G1	96	115/230	Grinder	UL	a,c,g,p
3/4	3600	8"x1"3/4"	862RE	1022	G1	95	115/230	Grinder/Buffer	UL	a,c,g,p

EXERCISE CAUTION AND WEAR SAFETY GLASSES

Big Red Accessories

Pedestals



GA16R

GA14R

Catalog Number	Description	List Price	Mult. Sym.	Shpg. Wgt.
GA16R	Cast iron pedestal can be used on all Big Red Grinders Height is 32-7/8"	536	A8	62
GA16RE	Light industrial version, all steel construction for use on 6" & 7" only, height is 34"	319	A8	36
GA20RE	Light industrial version, all steel construction for use on 8" only, height is 34"	369	A8	54
GA14R	Fabricated steel pedestal with storage shelves can be used on all Big Red Grinders, height is 34-1/2"	369	A8	64
GA9R	2) Lighted eyeshield, 5-1/2" x 3-3/4" viewing area, 8-ft cord with plug, mounts to any Big Red Grinder	206	A8	5
GA9SR	2) Lighted eyeshield with on/off switch, 5-1/2" x 3-3/4" viewing area, 8-ft cord with plug, mounts to any Big Red Grinder	229	A8	5

Lighted Eyeshields



GA9R

GA9SR

NOTES:

- (a) Supplied with 36 & 60 grit wheels.
- (b) Supplied with 36 grit and 0.014 wire wheel.
- (c) Stamp steel tool rests.
- (d) Cast iron tool rests.
- (f) Non-exhaust type wheel guards.
- (g) Factory connected for 115 volts, power cord supplied.
- (p) Supplied with eye shield.

Accessories
Dust Control Units for Baldor Grinders, 115V, Single Phase, 60 Hz



Catalog #1022W
with DC10 and GA16
(sold separately)

NOTE: Do not collect potentially reactive materials without consulting (NFPA) National Fire Protection Association Standards. Powered by a 1/2 Hp TEFC single phase Baldor motor with cord, switch, and plug. 230 volt single phase units are available and supplied less switch, cord, and plug. Specify for 230 volt single phase operation. Collectors with three phase motor less cord, switch, and plug are available. For 208-230/460 volt three phase, add suffix -3 to catalog number. Add \$30.00 to list price. Mount dust control units with Grinder and GA16 or GA20 pedestal.

Accessories
Grinder and Buffer



Catalog Number	Dust Control Unit Price	Mult. Sym.	Grinding Wheel Maximum		Cubic Ft/Min		Air Control Valves	Shpg. Wgt.
			Dia.	Width	Total Cap.	Required Per Wheel By OSHA (o)		
DC7	1,464	A8	7"	1"	440	220	Yes	60
DC8	1,464	A8	8"	1"	440	220	Yes	62
DC10	1,464	A8	10"	1"	440	390	Yes (p)	60
DC12	1,591	A8	12"	2"	440	390	Yes (p)	62
DC12-3	1,591	A8	12"	2"	440	390	Yes (p)	57
DC14-3 (n)	2,596	A8	14"	3"	700	590	Yes (p)	73

EXERCISE CAUTION AND WEAR SAFETY GLASSES

- (n) DC14-3 powered with 1Hp TEFC 208-230/460 volt, three phase motor, less cord, switch, and lug.
- (o) From ventilation section 1910.94 table G-4 Federal register vol. 37 #202, 10-18-72.
- (p) Air control valve required to direct total CFM of collector to only the wheel being used to meet OSHA CFM requirements on 10" and larger grinders.

Replacement Filter Bags

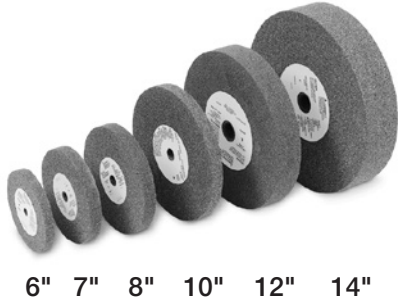
Catalog Number	List Price	Mult. Sym.	Dust Control Unit	Shpg. Wgt.
ARB-1	152	A8	DC7, 8, 10, 12, 12-3	1
ARB-2	231	A8	DC14-3	2

Item Number	Catalog Number	Description	List Price	Mult. Sym.	Shpg. Wgt.
A	GA16	Pedestal "Cast Iron"	489	A8	62
	GA16E	"Steel"	319	A8	36
B	GA14	Pedestal "Steel"	369	A8	64
C	GA20	Pedestal "Cast Iron"	803	A8	119
	GA20E	"Steel"	369	A8	54
D	GA24	Water Pot	60	A8	1
E	GA3	Water Pot	162	A8	7
F	GA25	Tool Tray	59	A8	9
G	GA4	Tool Tray	187	A8	6
H	GA11	Eyeshield (pair)	99	A8	2
I	GA10	Eyeshield (pair)	94	A8	1
J	GA9	Lighted Eyeshield (less on/off switch) (pair)	206	A8	5
J-1	GA9-1	same as GA9 except packed 1 unit per carton	114	A8	3
K	GA9S	Lighted Eyeshield (with on/off switch) (pair)	229	A8	6
L	GA13	Eyeshield for 6" Grinders (pair)	53	A8	2
M	AB248	Abrasive Belt 2" x 48" - 80 Grit	32	A8	1

- (A) **GA16 Pedestal** for 6", 7", 8" and 10" grinders, carbide and diamond wheel grinders, 1/4 Hp through 1-1/2 Hp buffers and belt grinders. Height 32 7/8".
GA16E for 6" & 7" grinders "all steel construction". Height 34".
- (B) **GA14 Pedestal** - fabricated steel, for 6", 7", 8" and 10" grinders, 1/4 Hp through 1 1/2 Hp buffers. Height 34 1/2".
- (C) **GA20 Pedestal** for 8", 10", 12" and 14" grinders and 3/4 through 7-1/2 Hp buffers. Height 30".
GA20RE for 8" & 10" grinders "all steel construction". Height 34".
- (D) **GA24 Water Pot** for 623E, 673E, 612E, 662E, and 7" (except #712, #712R, #762, & #762R), 8" and 10" grinders. Supplied with mounting bracket and swivel arm. Capacity 1-1/2 pints.
- (E) **GA3 Water Pot** for GA20 pedestal. Capacity 3 pints.
- (F) **GA25 Tool Tray** for 623E, 632E, 673E, 612E, 662E and 7" (except #712, #712R, #762, & #762R), 8" and 10" grinders. Supplied with mounting bracket and swivel arm. Diameter 8". Area 48 square inches.
- (G) **GA4 Tool Tray** for GA20 pedestal. Dimensions 12" x 6".
- (H) **GA11 Eyeshield** - 6" x 4" shatter resistant Plexiglas®. Fits Baldor grinders 7" through 14".
- (I) **GA10 Eyeshield** - 5" x 4" shatter resistant Plexiglas®. Fits Baldor 6" grinders and #712, #712R, #762 & #762R.
- (J) **GA9 Lighted Eyeshield** - 5 1/2" x 3 3/4" viewing area made of shatter resistant Plexiglas®. Supplied with 8 foot 3 conductor cord with plug. Accommodates standard 115 volt 60 watt bulb. Supplied less bulb and on/off switch. Mounts to Baldor grinders except tool and belt grinders. Adjusts horizontally and vertically. U.L. listed/CSA certified.
- (J-1) **GA9-1** - Same as GA9 except packed 1 per carton. 115 volt only.
- (K) **GA9S Lighted Eyeshield with On/Off Switch** - 115 volt only.
- (L) **GA13 Eyeshield for 600 Series 6" Grinders**
- (M) **AB248 Abrasive Belt** - 2" x 48" - 80 Grit.

Accessories

Wheels for Grinders

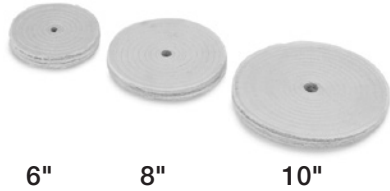


Features: Extremely durable aluminum oxide abrasive grain. Excellent for steels and alloy steels. Ideal for numerous general purpose applications.

Catalog Number	List Price	Mult. Sym.	Diameter	Face	Bore	Grit	Shpg. Wgt.
B66	44	A8	6"	3/4"	1/2"	36	2
B67	44	A8	6"	3/4"	1/2"	60	2
B73	60	A8	7"	1"	5/8"	36	4
B74	60	A8	7"	1"	5/8"	60	3
B80	71	A8	8"	1"	3/4"	36	5
B81	71	A8	8"	1"	3/4"	60	4
B102	105	A8	10"	1"	7/8"	36	8
B103	105	A8	10"	1"	7/8"	60	6
B125	238	A8	12"	2"	1-1/4"	30	22
B126	240	A8	12"	2"	1-1/4"	46	22
B147	449	A8	14"	3"	1-1/4"	30	42
B148	449	A8	14"	3"	1 1/4"	46	41

EXERCISE CAUTION AND WEAR SAFETY GLASSES

Sewed Cotton Buffing Wheels



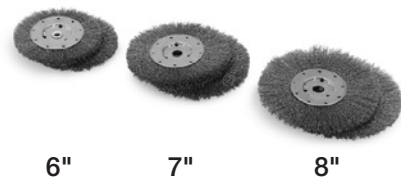
Features: Wheels are muslin cloth, spiral sewn. These bore sizes will fit shafts 1/8" greater diameter than bore.

Catalog Number	List Price	Mult. Sym.	Diameter	Face	Bore	Shpg. Wgt.
A65	31	A8	6"	1/4"	1/2"	1
A82	38	A8	8"	1/4"	3/4"	1
A103	57	A8	10"	1/4"	7/8"	1

EXERCISE CAUTION AND WEAR SAFETY GLASSES

NOTE: Cotton wheels are supplied in sections 1/4" wide. Two (or more) sections may be put together to make up wheel of desired width.

Wire Brush Wheels



Features: Wheels are crimped, carbon steel wire.

Catalog Number	List Price	Mult. Sym.	Diameter	Face	Bore	Diameter of Wire	Shpg. Wgt.
W64	53	A8	6"	5/8"	1/2"	0.014	1
W70	62	A8	7"	5/8"	5/8"	0.014	1
W82	70	A8	8"	3/4"	3/4"	0.014	1

EXERCISE CAUTION AND WEAR SAFETY GLASSES

NOTE: Baldor 6", 7" & 8" grinders equipped with grinding wheels can be converted to have wire brush wheels. To properly fit the wire brush wheels, flat washers or spacer must be placed on both sides of the wheel flanges. This will accommodate the width differences between the wire brush wheel and the original grinding wheel. Order washers/spacers as follows:
6" (3) HW1000A50, 7" (2) HA2047A01, 8"(4) HW1000A75

NOTE: When installing new wheels, check wheel for possible damage. Do not use a damaged wheel. With new wheel installed and all safety guards in place, and operator standing away from front of grinder, run grinder for one minute before applying work. (Wear safety glasses). **Exercise Caution.**

Definite Purpose Motors

Unit Handling Motors

Brake Motors

IEC Frame Motors

50 Hertz Motors

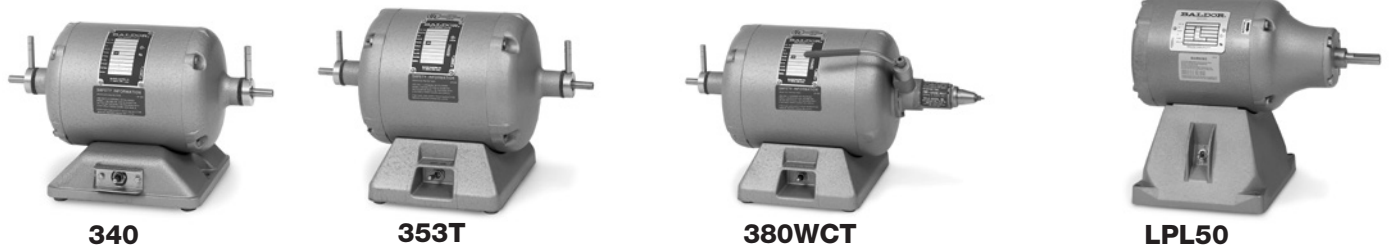
Inverter/Vector Motors & Controls

DC Motors and Controls

Gearmotors and Gear Products

Motor Accessories

Polishing Lathes, Chucks



Baldor polishing lathes have features preferred by dentists, dental lab technicians, jewelers, lapidary and other for precision, trouble-free polishing. All lathes are supplied with 8-foot cord with plug, rubber feet and heavy construction to minimize vibration, provisions for mounting to a laboratory bench are provided as well.

Hp	RPM	Shaft Diameter/Taper	Catalog Number	List Price	Mult. Sym.	Shpg. Wgt.	Voltage	Style	Notes
1/4	3600/1800	0.375 / 0.250	340	482	G1	31	115	Dual Speed	q
1/4	3000/1500	0.375 / 0.250	342	482	G1	31	220-240	Dual Speed	r
1/4	3600/1800	0.375 / 0.250	353T	529	G1	35	115	Dual Speed	q
1/2	3600	0.375 / 0.250	359T	530	G1	36	115	Single speed	q
1/3	3600/1800	0.375 / 0.250	380T	588	G1	42	115	Dual Speed	q
1/3	3600/1800	0.375 / 0.250	380WCT	1,355	G1	47	115	Dual Speed	q,s
1/2	3600	0.625 / straight	LPL50	515	G1	43	115	Single speed	q,t
3/4	3600	0.625 / straight	LPL75	628	G1	48	115/230	Single speed	q,t

EXERCISE CAUTION AND WEAR SAFETY GLASSES
NOTES:

- (q) Factory connected for 115 volts, power cord supplied.
- (r) Factory connected for 220-240 volts, power cord without plug.
- (s) Right side equipped with Wells Dental "Super Quick" chuck, 2 mandrels, 2 stone, 1 arbor band, 1 soft wheel chuck.
- (t) Single shaft, right side.

Baldor True-Running Chucks

Made to close-tolerance specifications, keeps vibration to an absolute minimum. All chuck guaranteed to match Baldor lathes and other make with standard tapered shaft. Mounting hole 0.370" tapered 0.250 per foot.



Catalog Number	List Price	Mult. Sym.	Description	Shpg. Wgt.
R1	96	A8	Hard Wheel, Right Hand, Brass	1
R2	47	A8	Soft Wheel, Right Hand, Brass	1
L3	92	A8	Hard Wheel, Left Hand, Brass	1
L4	107	A8	Soft Wheel, Left Hand, Brass	1
R5A	158	A8	Burr Chuck, Right Hand,	1
R6	53	A8	Arbor Band, Right Hand, Brass	1
L7	206	A8	Burr Chuck, Left Hand, Stainless	1

EXERCISE CAUTION AND WEAR SAFETY GLASSES

NOTE: R1 & L3 hard wheel chucks accommodate up to 1/4" wide wheel with 1/4" arbor hole. R6 arbor band chuck accommodates 1/2" wide x 3/4" diameter arbor band.

Dust Collector Bags

Catalog Number	List Price	Mult. Sym.	Description	Shpg. Wgt.
DA1	58	A8	Dust Collector Bag (1 per carton). For Baldor D60 and D61 Dust Collectors	1

THREE YEAR WARRANTY

Baldor polishing lathes are warranted against burnouts, defective materials, and workmanship for three full years. Warranty covers all parts except those subject to normal wear. "Wells Quick Chuck" warranted one year by manufacturer.

Modification Number

Motor Mod Express®

Page No.

Balance	380
M1A	Dynamic Balance of Rotors	
Bearings	380
M2A	Sealed Bearings	
M2B	Ball to Roller 1800 RPM or Below	
M2C	Add Thermocouples to Bearing Housing	
M2D	Bearing RTD'S	
M2E	Add Sealed Bearings	
M2F	Add Ceramic Bearings NEMA 254T through 5810	
M2G	Roller to Ball Bearing 1800 RPM or Below	
Brake Motors	382
M3A	Convert Standard to Weatherproof	
M3B	Convert to Vertical Mounting	
M3C	Add Larger or Smaller Brake	
M3D	Change Stearn's Brake	
M3E	Add a Double C-Face or Coupler Brake	
M3F	Remove Brake from a Brake Motor	
M3G	Change Dodge Brake	
Conduit Box	384
M4A	Tap or Provide Additional Lead Hole	
M4B	Rotate Conduit Box Lead Opening	
M4C	Add Oversized Cast Iron Conduit Box	
M4F	Replace Die Cast Aluminum Conduit Box	
M4G	NEW! Add Conduit Box for Thermostat or Heater Leads	
Cord	385
M5A	Install Line Cord in Conduit Box or Terminal Panel	
M5B	Install 6 Foot, 3 Conductor, Type SO Cord	
Switch	386
M6A	Install Switch, Cord and Plug	
M6C	Change from Mechanical to Electronic Switch	
Drains	386
M7A	Add Condensation Drain Holes	
M7B	Install "T" Drain	
M7C	Close Standard Condensation Drain Holes	
M7D	Add Breather Drain to Cast Iron Explosion Proof Motors	
Dripcovers	387
M8A	Install Dripcover on TEFC or ODP	
Slurry Coat & Encapsulation	388
M9B	Encapsulation of Winding	
Leads	388
M10A	Install Terminal Lugs	
M10B	Reconnect from Nine Leads to Three Leads	
M10C	Reconnect Motor to High or Low Voltage	
M10D	Longer Leads	
Lubrication	389
M11A	Install Low Temperature Bearing Lubricant	
M11B	Add High Temperature Grease	
Seals	390
M12A	Install Oil Seals	
M12B	Install Inpro/Seal®	
Mountings	391
M13A	Add Rigid Base	
M13B	Install NEMA C-Face - Steel Band Construction	
M13C-1	Install NEMA C-Face - Cast Iron Construction	
M13C-2	Install NEMA C-Face - IEEE 841 Motors	

Mountings (continued)		
M13D	Add D-Flange	
M13E	Remove Rigid Base From Foot Mounted Steel Band Motors	
M13F-1	Convert Mounting Configuration for Steel Band Motor	
M13F-2	Convert Mounting Configuration for Cast Iron Motor	
M13G	Install NEMA C Face to Explosion Proof Motors	
M13H	Mount Dust Control Unit on Grinders	
M13I	Labor only to mount grinder or buffer onto a pedestal and package for shipment	
M13J	Add Adjustable Bases	
M13K	Add Two Piece Transition Base	
M13L	Add Steel Fan Cover	
M13M	Add Low Noise Fan and/or Fan Cover	
M13N	Add Cast Iron Fan Cover	
Mounting Diagrams		396
Export		397
M14A	Open Crate Packaging	
M14B	Totally Enclosed Crate Packaging	
M14C	Motor and Nameplate Photograph	
Nameplate		398
M15A	Provide Original Nameplate for Remote Mounting	
M15B	Replace Nameplate	
M15C	Laser Engrave Nameplate into Stainless Steel Motor	
M15E	Mail Nameplates to Customer	
M15F	Mark Nameplate with CE	
Blowers		398
M16A	Add Constant Velocity Blower Unit	
M16B	Convert from a Three Phase to a Single Phase Blower	
Paint		399
M17A	Paint Motor to Baldor Stock Paint Color	
M17B	Paint Parts to Baldor Stock Paint Color	
Lifting Lugs		399
M18A	Add Lifting Lugs up to a 326T Frame Size	
Screens		399
M19A	Add Rodent Screens to Open Drip-Proof Motors	
Hardware		400
M20A	Exchange Plated Hardware for Stainless Steel	
Space Heaters		400
M21A	Add Space Heaters to TEFC or Open Motors	
M21B	Add Conduit Box for Accessory Leads	
Textile Service		400
M22A	Lint Proof Fan Cover	
Thermal Protectors		401
M23A	Thermostats	
M23B	Exchange Thermal Overload	
M23C	Install Resistance Temperatures Detectors	
Thermocouples		402
M24A	Iron Constantan	
Thermistors		402
M25A	Thermistors	
Tropicalization		402
M26A	Protection of Windings and Mechanical Parts	
Weatherproofing		403
M27A	Treatment of Windings and Mechanical Parts	
M27B	Upgrade to IP55 Protection	

Shaft Modifications	404
M29A	Drill and Tap or Flat	
M29B	Convert from TEFC to TEAO	
M29C	Threading	
M29D	Convert "T" Frame to "U" Frame Shaft Dimension or Smaller (TS)	
M29F	Shorten Shafts without Reducing the Overall Dimension	
M29I	Machine Explosion Proof Motor Shafts from T to a U Frame	
M29J	Convert "L" Frame shaft to Shorter Shaft for Coupled Duty	
Grounding Screws	405
M30A	Add Grounding Screw on Endplate	
Tach and Encoder Mounting Kits	406
M31A	Add Tach Mounting Kits to DC Motors	
M31B	Add Tach Mounting Kits with BTG1000 Tach	
M31C	Add Tach Mounting Kits with XPY Tach	
M31D	Add Encoder Kit to Inverter Duty V*S Master or RPPAC Motor	
M31E	Additional Mounted Encoder Option for IDRPM Motors	
Testing	407
M32A	Performance Testing Per IEEE 112	
M32B	Witnessed IEEE 112 Performance Testing	
Testing	407
M33A	Short Motor Test	
M33B	Routine Motor Test	
M33C	Complete Motor Test	
M33D	Calibration Test	
M33E	Sound Measurement Test	
Worm Gear Modifications	409
M34A	Install Bases on Worm Gear Speed Reducers	
M34B	Convert From Single to Double End Output Shaft on Worm Gear Speed Reducers	
M34C	Convert Output Shaft from Left Hand to Right Hand or Vice Versa on 900 or Universal Series Reducers	
M34D	Install Motor on 900 F-Series or Universal STF-Series Reducers	
Terminal Blocks (50 Hz, 3 Phase Motors Only)	410
M35A	Install Terminal Blocks in Conduit Box and Connect Leads	
Starters	411
M36A	Add Magnetic or Manual Starter to Grinder or Buffer – Starter – Single Phase	
M36B	Add Magnetic or Manual Starter to Grinder or Buffer – Starter – Three Phase	
M36C	Add Magnetic or Manual Starter to Grinder or Buffer – Magnetic Starter – Three Phase	
M36D	Overload Protection for Dust Control Unit	
Voltage	412
M37A	Change a Grinder Dust Control Unit to a 575 Volt	
M37B	NEW! Reconnect Grinder for 230V and change to 230V relay	
Shaft Grounding	413
M39A	Shaft Grounding Systems	
M39B-1	AEGIS® Bearing Protection Ring	
M39B-2	Inpro/Seal® Current Diverter Ring™	
M39B-3	Inpro/Seal® Motor Grounding Seal™	
M39C	Baldor Shaft Grounding Brush Assembly	
Check Total Indicated Runout (TIR)	415
M40A	Check Total Indicated Runout (TIR)	
Vibration Detectors	415
M41A	Provisions for Vibration Detection	
M41B	Add Vibration Switch	
M41C	Add Velocity Transducer	
M41D	Add Accelerometer	
Cast Iron Endplate	415
M42A	Install Cast Iron Endplate	

Motor Mod Express®

Ordering Information

Note: Motors made for sale in the U.S. must comply with the Small Motor Rule and the Integral Horsepower Rule (10 CFR 431) including those modified from stock. After any modification, the motor must comply with the minimum efficiency levels if the motor is sold for use in the United States.

Motors sold for use in Canada must comply with the applicable regulations such as Natural Resources Canada if used in that country. Motors sold through distribution into Mexico must be registered and comply with NOM ANCE standards. Motors modified and sold for use in Europe must comply with CE for efficiency and other markings. Other countries have their own specific requirements and certifications for those specific countries.

To order, specify the catalog number of the stock product and the MOD number. Use the motor discount for the motor. All modifications should be priced using the modification list price, applying the appropriate multiplier symbol for the motor.

Lead times indicated are subject to availability of stock motors in the Fort Smith and Kings Mountain Warehouses. Customer will absorb all freight costs when motor is shipped to Fort Smith from field warehouses.

**NOTE: Some modifications do not apply to explosion-proof motors.
Contact Baldor for Approval.**

Modifications for the 449T frame 2300 Volt and above as well as the 5008-5810 frame motors have been specifically created for the General Purpose Motor (GPM) product family of Large AC TEFC motors. Factory modifications are not available for the 450 and 500 IEC frame sizes in the GPM product. Some of the modifications may be used on the Severe Duty or Ammonia Compressor ODP products, however please check with the factory prior to order entry to ensure availability of required modification.

MOD Express Cancellation Policy

Should it be necessary to cancel an order for a motor after it is modified, but before it ships – a cancellation charge of double the modification charge will be invoiced to the customer. Any MOD order cancelled before modification is completed is subject to 25% cancellation charge.

Once shipped, modified motors returned at purchaser's expense will be invoiced at double the MOD fee plus 10% restock fee.

**NOTE: Mod Express for RPM AC, RPM III DC and V*S Master is available.
Contact your local Baldor•Reliance District Office for details.**

Some modifications cannot be performed on UL, CSA, or UL/CSA Certified Grinders, Buffers, or Belt Sanders without voiding the Certification. In such instances, the Certification Mark(s) would need to be removed. Please contact your Baldor representative.

Note

NEW modifications are indicated with RED Titles.

All lead times indicated are subject to availability of stock motors and parts in the Fort Smith and Kings Mountain warehouse. Please check stock availability before quoting lead time.

Some conversions may not be allowed if they result in a change of operating parameters that affect efficiency or change the EISA or NRCan classification of compliant motors.

Modification prices do not include the cost of the motor, speed reducer, etc.

**Modification
Number**

**Motor Mod Express®
Description and List Price**

**Working Days
Required**

**Balance
M1A**

Dynamic Balance of Rotor

Re-balance stock motor to special balance NEMA 42 through 5810 frame.

TWO
DAYS

Squirrel Cage Type			
NEMA Frame	Standard Balance	Special Balance	List Price Per Motor
42 - 145	0.15"/s	0.08"/s	256
182 - 215	0.15"/s	0.08"/s	621
254 - 286	0.15"/s	0.08"/s	894
324 - 364	0.15"/s	0.08"/s	1734
404 - 445	0.15"/s	0.10"/s	2100
447 - 449	0.15"/s	0.10"/s	2192
5008 - 5810	0.15"/s	0.10"/s	2342

NOTE: Balance units are for velocity in inches per second.
Special balance is the standard level for IEEE-841 (2009).

**Bearings
M2A**

Sealed

This modification provides the option of replacing standard bearings in AC motors with sealed bearings.

TWO
DAYS

NEMA Frame	List Price Per Motor (2 Bearings)
48, 56	181
143 - 145	185
182 - 184	233
213 - 215	233
254 - 256	435
284 - 286	435
324 - 326	562
364 - 365	562

NOTE: Grease fittings will be replaced with slotted head pipe plugs. Contact your Baldor Representative.
Grease fittings will be replaced with slotted head pipe plugs unless otherwise specified.

M2B

Ball to Roller 1800 RPM or Below

Roller bearings have the capability to handle higher radial loads than ball bearings, but must have high minimum radial loads to operate correctly. Roller bearings must only be used in heavy belted loads, they are not suitable for coupled loads. Only the stock 449T frames 2300V and above, as well as the TEFC 5000 and 5800 frame GPM TEFC motors with "L" shafts have high strength steel shafts. Also see the main catalog section for motors that Baldor stocks with roller bearings already installed. These stock motors are identified with a "LR" suffix after the catalog number - Example: EM58606LR-2340.

THREE
DAYS

Does Not Apply to Explosion-Proof Motors or designs that must be built as custom motors.

NEMA Frame	List Price Per Motor
449T*	1948
5008L - 5810L	1948

NOTE: *449T - Applicable to 449T, 2300 volt and above.
Users must ensure to not exceed load carrying capability of installed roller bearing. Maximum load capability of a rating can be provided. If unsure of your load data, a belt load datasheet can be provided to assist.

**Modification
Number**

**Motor Mod Express®
Description and List Price**

**Working Days
Required**

Bearings continued...

M2C

Add Thermocouple to Bearing Housing

Iron constantan thermocouples unless specified otherwise. 449T Frame and up, leads for temperature detectors are brought into separate terminal housing condulets located at each bearing housing.

THREE
DAYS

NEMA Frame	List Price Per Bearing
449T*	1477
5008 - 5810	1477

NOTE: *449T - Applicable to 449T, 2300 volt and above.
5008 frame and up, option is available to terminate detector leads in the stator RTD box rather than condulets. Please advise if required.

M2D

Add Bearing Temperature Detector

100 OHM Platinum Standard. (10 OHM and 120 OHM available)

THREE
DAYS

NEMA Frame	List Price Per Bearing
449T	1477
5008 - 5810	1477

NOTE: *449T - Applicable to 449T, 2300 volt and above.
5008 frame and up, option is available to terminate detector leads in the stator RTD box rather than condulets. Please advise if required.

M2E

Add Sealed Bearings

See M2A for Sealed Bearings.

TWO
DAYS

M2F

**Add Isolated Bearings NEMA 56 Through 5810
(SKF Insocoat or equivalent)**

If insulating both bearings, Baldor recommends addition of M39A.

TWO
DAYS

NEMA Frame	List Price (x2 per set)
56 - 145T	539
182T - 184T	560
213T - 215T	762
254T - 256T	1168
284T - 286T	1466
324T - 326T	1634
364T - 365T	1693
404T - 405T	1772
444T - 445T	1852
447T - 449T	3174
5008 - 5810	1305 (1 Bearing)

NOTE: Totally Enclosed (TEFC) 449T frames at 2300/4000V and 5008-5810 motors come standard with an insulated opposite drive bearing.
For pricing on 2300/4000V 449T frame, please use 5008-5810 frame adder

M2G

Roller to Ball Bearing 1800 RPM or Below

This modification is to convert all LR catalog 5000 frame motors and above from roller bearings to standard ball bearing design.

THREE
DAYS

NEMA Frame	List Price Per Bearing
5008-5810	1613

**Modification
Number****Motor Mod Express®
Description and List Price****Working Days
Required****Brake Motors****M3A****Convert Standard to Weatherproof**

Standard base mounted, TEFC brake motors will be converted to W/P brake motors. Includes replacement of standard brake with W/P brake of the same rating and weatherproofing of motor (See M27).

Brake Rating lb-ft	List Price Per Motor	Brake Rating lb-ft	List Price Per Motor
3	648	50	1330
6	659	75	1373
10	668	105	1672
15	751	125	2591
25	758	175	3323
35	791	230	3572

NOTE: TENV, C-Face brake motors can be converted also.
TEFC C-Face brake motors cannot be converted.

CONTACT
YOUR
BALDOR
DISTRICT
OFFICE

M3B**Convert to Vertical Mounting**

Standard brake motors will be modified so that brakes will be operable in a brake-below motor or a brake-above motor vertical mounting position.

Brake Rating lb-ft	List Price Per Motor	Explosion-Proof List Per Motor-Additional
10 - 15	STD	159
25 - 35	368	223
50 - 75	416	251
105	551	332
125 - 175	918	552
230	1161	

NOTE: Specify if brake is to be above or below motor

CONTACT
YOUR
BALDOR
DISTRICT
OFFICE

M3C**Add Larger or Smaller Brake (All Types)**

Contact Baldor for application assistance.

List Price: \$308 per brake (plus difference in brake cost).

CONTACT
YOUR
BALDOR
DISTRICT
OFFICE

Modification Number	Motor Mod Express® Description and List Price	Working Days Required
---------------------	--	-----------------------

Brake Motors continued...

M3D

Change Stearn's Brake

Brake coils will be changed to allow operation from different voltage supplies for both 50 and 60 hertz AC or from DC supplies. External brake coil lead connections will be brought from the brake or from the motor conduit box when necessary in the application. Specify brake lead location, voltage of brake coil, frequency of supply source. (Allow 2 weeks for brake coil delivery.)

List Price: \$282 per brake (plus any difference in coil cost).

CONTACT YOUR BALDOR DISTRICT OFFICE

M3E

Add a Double C-Face Coupler Brake

Double C-Face coupler brakes. Mounts on motors with C-Face. Provides NEMA C-Face mounting on brake. Spring set, electrically released.

CONTACT YOUR BALDOR DISTRICT OFFICE

Brake Rating lb-ft	Brake Mounting	List Price Per Motor
3	56C	832
6	56C	1105
6	145TC	1105
10	145TC	1249
15	145TC	2387

NOTE: Rating up to a 105 ft. lb. is available. Contact Baldor Representative for approval and delivery time.

M3F

Remove Brake From a Brake Motor

Brake is removed for customers who will be supplying a brake at their location.

CONTACT YOUR BALDOR DISTRICT OFFICE

Brake Rating	List Price Per Motor
All	184

M3G

Change Dodge Brake

Brake will be changed to specified hertz, voltage, and brake rating. (Allow 2 weeks for brake delivery)

List Price: \$282 per brake (plus any difference in brake cost).

CONTACT YOUR BALDOR DISTRICT OFFICE

**Modification
Number**

**Motor Mod Express®
Description and List Price**

**Working Days
Required**

Conduit Box

M4A

Tap or Provide Additional Lead Hole

Lead outlet hole in conduit box with dimensions as shown below will be tapped to accept threaded conduit as shown in "Optional threaded hole..." column below. An additional clearance hole or threaded hole may be supplied if specified. Use same list adder for threaded hole.

TWO
DAYS

NEMA Frame	Stock Motor		Optional Threaded Hole For Conduit Size	List Price Per Motor
	Hole Diameter *	For Conduit Size		
48 - 145T	7/8"	1/2"	3/4"	126
182 - 215T	1-1/16"	3/4"	1"	126
254 - 256T	1-3/8"	1"	1-1/4"	206
284 - 326T	2"	1-1/2"	2"	206
364 - 365T	2-1/2"	2"	2-1/2"	276
404 - 405T	3"	2 1/2"	3"	300
444 - 447T	3"	2-1/2"	3"	300

NOTE: * Stock motor lead holes are not threaded except on Dirty Duty and Chemical Process motors. Extra lead holes do not apply to Explosion Proof motors. If additional hole is needed, specify hole diameter and exact location. Contact your Baldor representative for application assistance.

M4B

Rotate Conduit Box Lead Opening

Specify lead opening location facing conduit box
List Price Per Motor: \$147

TWO
DAYS

M4C

Add Oversized Cast Iron Conduit Box

NEMA Frame	List Price Per Motor
182-184T	298
213-215T	298
254-256T	298
284-286T	427
324-326T	433
364-365T	459
404-405T	491
447-449T	515

NOTE: Consider use of IEEE 841 motors that have oversized conduit boxes standard.

TWO
DAYS

M4F

Replace Die Cast Aluminum Conduit Box

Install cast iron conduit box with drilled and tapped entrance hole.

NEMA Frame	List Price Per Motor
42 - 56	162
143 - 215T	187
254 - 286T	230
324 - 365T	368

TWO
DAYS

**Modification
Number**

**Motor Mod Express®
Description and List Price**

**Working Days
Required**

Conduit Box continued...

M4G

Add Conduit Box for Thermostat or Heater Leads

Not for Explosion Proof motors

CONTACT
YOUR
BALDOR
DISTRICT
OFFICE

NEMA Frame	List Price Per Motor
56 - 145T	441
182 - 215T	515
254 - 365T	778
404 - 449T	984

Cord

M5A

Install Line Cord in Conduit Box or Terminal Panel

Heavy duty, industrial type SO oil resistant cord with ground will be installed in conduit box or terminal panel. Strain relief included. Plug not included. **Does Not Apply to Explosion-Proof Motors.**

TWO
DAYS

Some modifications cannot be performed on UL, CSA, or UL/CSA Certified Grinders, Buffers, or Belt Sanders without voiding the Certification. In such instances, the Certification Mark(s) would need to be removed. Please contact your Baldor representative.

Wire Gauge	Amp Rating		Six Feet or Less List Price	Each Additional Foot to Ten Max List Price
	Single Phase	Three Phase		
18	10	7	133	10
16	13	10	133	11
14	18	15	154	14
12	25	20	162	15

NOTE: Specify voltage and rotation facing drive end of motor.

M5B

Install 6 Foot, 3 Conductor, Type SO Cord With Plug

With ground plug for 115VAC, single phase only.

Does Not Apply to Explosion-Proof Motors.

TWO
DAYS

Some modifications cannot be performed on UL, CSA, or UL/CSA Certified Grinders, Buffers, or Belt Sanders without voiding the Certification. In such instances, the Certification Mark(s) would need to be removed. Please contact your Baldor representative.

Hp	List Price Per Motor
1 Hp and smaller	142

NOTE: Advise rotation facing drive end of motor

Modification Number	Motor Mod Express® Description and List Price	Working Days Required
---------------------	---	-----------------------

Switch

M6A

Install Switch, Cord and Plug (Single Phase Only)

TWO DAYS

Includes installation of cord with ground prong and two pole single throw switch.

Does Not Apply to Explosion-Proof Motors

Some modifications cannot be performed on UL, CSA, or UL/CSA Certified Grinders, Buffers, or Belt Sanders without voiding the Certification. In such instances, the Certification Mark(s) would need to be removed. Please contact your Baldor representative.

Hp	Rating	List Price per Motor
2 Hp and smaller	16-20A/115V or 230V	299

NOTE: Advise voltage and rotation facing drive end of motor

M6C

Change from Mechanical to Electronic Switch (Single Phase Only)

TWO DAYS

2 Hp and smaller (Includes price of switch). Remove mechanical switch from inside motor and install electronic switch in motor conduit box. Contact Baldor for assistance.

Does Not Apply to Explosion-Proof Motors

Some modifications cannot be performed on UL, CSA, or UL/CSA Certified Grinders, Buffers, or Belt Sanders without voiding the Certification. In such instances, the Certification Mark(s) would need to be removed. Please contact your Baldor representative.

Hp	List Price per Motor
2 Hp and smaller	313

Drains

M7A

Add Condensation Drain Holes.

TWO DAYS

A maximum of two additional drilled holes will be made in both endplates of 215T frame and smaller TEFC motors.

A maximum of one additional plastic T-drain fitting will be installed in both endplates of 254T frame and larger TEFC motors.

Does Not Apply to Explosion-Proof Motors

NEMA Frame	List Price Per Motor
215 and Smaller	223
254 - 449	303

NOTE: Indicate position of drain holes in each endplate.

Modification Number	Motor Mod Express® Description and List Price	Working Days Required
---------------------	--	-----------------------

Drains continued...

M7B	<p>Install "T" Drain. Install one stainless steel "T" drain in each end bracket in existing hole. Does Not Apply to Explosion-Proof Motors</p>	TWO DAYS
------------	--	-------------

NEMA Frame	List Price Per Motor
254T - 449T	579
5008 - 5810	427

M7C	<p>Close Standard Condensation Drain Holes. Close existing drain holes with plugs. Does Not Apply to Explosion-Proof Motors</p>	TWO DAYS
------------	---	-------------

NEMA Frame	List Price Per Motor
215 and Smaller	185
254 - 449	223

M7D	<p>Add Breather Drains to Cast Iron Explosion-Proof Motor.</p>	TWO DAYS
------------	---	-------------

Drain Type	List Price Per Motor
UL Listed Explosion Proof Drain - ANSI 316 S.S.	389
UL Listed Explosion Proof Drain - Crouse-Hinds ECD	437

Dripcovers

M8A	<p>Install Dripcover on TEFC or ODP</p>	TWO DAYS
------------	--	-------------

NEMA Frame	List Price Per Motor ODP or TEFC
48 - 145	147
182 - 184	158
213 - 215	176
254 - 256	202
284 - 286	244
324 - 326	270
364 - 365	488
404-405 (NEMA Frame)	488
444 - 449 (NEMA Frame)	692

**Modification
Number****Motor Mod Express®
Description and List Price****Working Days
Required****Slurry Coat & Encapsulation****M9B****Encapsulation**

Not available as ModX.

Encapsulation is available on Washdown Duty motors as a custom motor option.

Leads**M10A****Install Terminal Lugs**

Ring-type non insulated terminals made of copper alloy and seamless compression type lugs. Prices are standard 3-lead single voltage three-phase motors. Multiply mod list adder for actual number of leads per motor.

TWO
DAYS

NEMA Frame	List Additions for 3 Terminal Lugs
215 and Smaller	180
254-365	223
404-445	265
447-449	265

NOTE: 5008 and up, come standard with lead lugs. Option is for conversion to single or double Burndy style lugs.
5008 and above contact your Baldor Representative for lead time and freight charges back to plant of manufacturing.

M10B**Reconnect Motor from Nine Leads to Three,
Specify Voltage When Ordering**TWO
DAYS

NEMA Frame	List Price Per Motor
42 - 145	162
182 - 184	251
213 - 215	333
254 - 256	375
284 - 286	494
324 - 326	624

NOTE: On explosion proof, leads are connected in conduit box.

M10C**Reconnect Motor to High or Low Voltage in
Conduit Box**TWO
DAYS

Please specify voltage.

NEMA Frame	List Price Per Motor
42 - 145	162
182 - 184	251
213 - 215	333
254 - 256	375
284 - 286	494
324 - 326	624

**Modification
Number**

**Motor Mod Express®
Description and List Price**

**Working Days
Required**

Leads continued...

M10D

Longer Leads, Additional Leads added:

TWO
DAYS

Does Not Apply to Explosion-Proof Motors.

Some modifications cannot be performed on UL, CSA, or UL / CSA Certified Grinders, Buffers, or Belt Sanders without voiding the Certification. In such instances, the Certification Mark(s) would need to be removed.

Please contact your Baldor representative.

NEMA Frame	Number of Leads	List Price		
		18 Inches	24 Inches	36 Inches
42-286	3 - 12 Leads	215	218	224
324-449	3 Leads	324	335	346
	6 Leads	358	380	403
	9 Leads	392	425	459
	12 Leads	425	470	515

NOTE: If lead requirements are longer than 8 feet contact Baldor Sales Team.

Lubrication

M11A

Install Low Temperature Lubricant in Bearings

TWO
DAYS

(Single Shield or Open Bearing)

Standard grease is Exxon POLYREX® EM, with bearing operating temperature range of -15° to +250°F. For low temperature operation, please specify either Aeroshell #7 or Mobil Temp SHC-32 low temperature grease which allows an operating temperature range for bearings of -55° to +200°F. New bearings are installed when grease is changed.

Does Not Apply to Explosion-Proof Motors

NEMA Frame	List Price Per Motor
48	126
56 - 145T	135
182 - 184T	145
213 - 215T	150
254 - 256T	192
284 - 286T	213
324 - 326T	299
364 - 365T	319
404 - 405T	507
444 - 449T	700

NOTE: Low temperature operation below -25C (-13F)

Baldor
Mod Express

ABB
Mod Express

ABB ATEX
Mod Express

Product
Index

Baldor
Sales Offices

**Modification
Number****Motor Mod Express®
Description and List Price****Working Days
Required****Lubrication continued...****M11B****Add High Temperature Grease**

Standard grease is Exxon POLYREX® EM, with bearing operating temperature range of -15° to +250°F. For High temperature operation, please specify Mobilith SHC 220 high temperature grease which allows an operating temperature range for bearings of -40° to +302°F. New bearings are installed when grease is changed.

TWO
DAYS**Does Not Apply to Explosion-Proof Motors**

NEMA Frame	List Price Per Motor
48	126
56 - 145T	135
182 - 184T	145
213 - 215T	150
254 - 256T	192
284 - 286T	213
324 - 326T	299
364 - 365T	319
404 - 405T	507
444 - 449T	700

NOTE: Contact your Baldor representative to discuss application prior to ordering.

Seals**M12A****Install Oil Seals**

Nitrile is the standard oil seal material.

CONTACT
YOUR
BALDOR
DISTRICT
OFFICE

NEMA Frame	List Price Each
48, 56	342
143T - 145T	342
182T - 184T	378
213T - 215T	417
254T - 256T	574
284T - 286T	673
324T - 326T	760
364T - 365T	956
404T - 405T	956
444T - 449T*	1008

NOTE: Does Not Apply to Explosion-Proof Motors

*For 449T frames 2300 Volt and above, consult M27B Mod.

**Modification
Number**

**Motor Mod Express®
Description and List Price**

**Working Days
Required**

Seals continued...

M12B

Install Inpro/Seal® Drive End Only

FOUR
DAYS

Contact Baldor for Other Frame Sizes. Inpro/Seal® VBX is the standard material used.

NOTE: Contact Baldor for opposite drive end installation or order IEEE 841 motor from stock.

Does Not Apply to Explosion-Proof Motors

NEMA Frame	List Price Each
143T-215T	1070
254-256T	1340
284-286T	1428
324-326T	1516
364-365T	1739
404-405T	1825
444-449T	2224
5008 - 5810	1101

Mountings

M13A

Add Rigid Base

TWO
DAYS

Weld stamped steel base to steel band explosion proof motor unless motor meets VEM or VEL. Not available if conversion results in motors that fall under EISA/NRCAN requirements.

NEMA Frame	List Price Per Motor
42 - 48	168
56	172
143 - 145T	172
182 - 184T	209
213 - 215T	251

NOTE: Not available for cast iron motors.

M13B

Install NEMA C-Face Steel Band Motor Construction

TWO
DAYS

Add to rigid base mounted motor. Not for explosion proof motors.

NEMA Frame	List Price Per Motor
42, 48 & 56	221
143 - 145T (1)	221
182 - 184T (1)	242
213 - 215T (1)	293
254 - 256T (2)	557
284 - 286T (2)	756
324 - 326T (2)	988

284T &
LARGER
SUBJECT TO
CASTING
AVAILABILITY

NOTE: (1) These motors will have a non-NEMA BA dimension when C-Face is added.
(2) Applies to ODP only.

**Modification
Number**

**Motor Mod Express®
Description and List Price**

**Working Days
Required**

Mountings continued...

M13C-1

Install NEMA C-Face - Cast Iron Construction

Install Cast Iron Endplate where aluminum die cast parts are supplied as standard.

TWO
DAYS

Does Not Apply to Explosion-Proof Motors, See M13G

NEMA Frame	NEMA C-Face Price
48 & 56	234
143 - 145T (1)	234
182 - 184T (1)	282
213 - 215T (1)	324
254 - 256T	717
284 - 286T	988
324 - 326T	1069
364 - 365T	1153
404 - 405T	1438
444 - 449T	1725

NOTE: (1) These motors will have a non-NEMA BA dimension when C-Face is added. Specify C-face or Standard horizontal endplate.

Westville open motors cannot be modified to C-Face.
Contact Baldor.

M13C-2

Install NEMA C-Face - IEEE 841 Motors

Cast Iron Endplate replaces aluminum die cast parts.

TWO
DAYS

NEMA Frame	NEMA C-Face Price
284 - 365TC	1022
324 - 326TC	1590
364 - 326TC	1611
404 - 405TC	1793
447 - 449TC	1902

M13D

Add D-Flange

Some motors may be converted to D-Flange mounting and meet NEMA BA dimensions.

All other frame sizes needing D-Flange mounting please order as custom motor.

CONTACT
YOUR
BALDOR
DISTRICT
OFFICE

Does not Apply to Explosion Proof Motors

Steel Band

NEMA Frame	List Price Per Motor
140	221
320	986

Cast Iron

NEMA Frame	List Price Per Motor
180	321 * †
250	1069 * †
280	1192 *
320	1357 *

NOTE: * TEFC motors only
† Must start with motor that already has C-Face on it.

**Modification
Number**

**Motor Mod Express®
Description and List Price**

**Working Days
Required**

Mountings continued...

M13E

Remove Rigid Base From Foot Mounted Steel Band Motors

TWO
DAYS

NEMA Frame	List Price Per Motor	NEMA Frame	List Price Per Motor
42 - 48	224	213 - 215T	372
56	230	254 - 256T	529
143 - 145T	230	284 - 286T	600
182 - 184T	279	324 - 326T	736

NOTE: Bases cannot be removed from explosion proof motors.

M13F-1

Convert Mounting Configuration for Steel Band Motor

THREE
DAYS

Available on all Steel Band AC motors through 449T Frame. For conversion to F2 designs, check available inventory before using Mod. Consists of repositioning endplate vents, condensation drains, and where applicable, the conduit to positions shown in the Mountings chart at the end of Mountings mods. Converting a steel band motor requires a new steel band frame.

Does Not Apply to Stainless Steel Band Motors

Does Not Apply to Explosion-Proof Motors

NEMA Frame Enclosure	Specify Mounting configuration using Drawings on Pg. 451		List Price Per Motor
	ODP	TEFC	
UP TO 184T	Yes	Yes	564
213 - 215T	Yes	Yes	564
254 - 326T	Yes	254-6	733
364 - 449T	Yes	Yes	959

M13F-2

Convert Mounting Configuration for Cast Iron Motor

THREE
DAYS

Available on all Cast Iron AC motors through 449T Frame. For conversion to F2 designs, check available inventory before using Mod. Consists of repositioning endplate vents, condensation drains, and where applicable, the conduit to positions shown in the Mountings chart at the end of Mountings mods.

Does Not Apply to Explosion-Proof Motors

NEMA Frame Enclosure	Specify Mounting configuration using Drawings on Pg. 451		List Price Per Motor
	ODP	TEFC	
UP TO 184T	Yes	Yes	213
213 - 215T	Yes	Yes	213
254 - 326T	Yes	Yes	213
365 - 449T	Yes	Yes	213
5008-5810	No	Yes	414

NOTE: For 5008-5810 Open motors (WPI, WP1I), please contact factory to determine if F2 is achievable.

**Modification
Number****Motor Mod Express®
Description and List Price****Working Days
Required****Mountings continued...****M13G****Add C-Face to Explosion Proof Motors**

Only available on NEMA frames shown below.

THREE
DAYS

NEMA Frame	List Price Per Motor
56	268
143 - 145T (Steel Band only)	268
284 - 286T	1932
324 - 326T	2643
364 - 365T	2957
404 - 405T	3489

NOTE: Any other frame size must be built as a custom motor.**M13H****Mount Dust Control Unit on Grinders**

Labor only to mount dust control unit.

Price does not include the dust control unit or any accessories.

See Accessories to order Dust Control Unit.

TWO
DAYS

Wheel Size	List Price Per Grinder
All	213

M13I**Mount Grinder or Buffer onto Pedestal**

Price does not include the grinder or buffer, pedestal or any accessories.

TWO
DAYS

Wheel Size	List Price Per Grinder or Buffer
All	213

M13J**Add Adjustable Motor Bases**

Adjustable motor bases bolted to fixed base on stock motor before shipping. NEMA 215T and smaller bases feature one adjusting screw. Bases on NEMA 254T frame and larger feature two adjusting screws.

TWO
DAYS

NEMA Frame	List Price Per Motor
48 - 56	184
143T - 145T	210
182T - 184T	219
213T - 215T	238
254T - 256T	379
284T - 286T	414
324T - 326T	566
364T - 365T	716
404T - 405T	978
444T - 445T	1156
447T - 449T	1331

NOTE: Bases not suitable for vertical mounting.

**Modification
Number**

**Motor Mod Express®
Description and List Price**

**Working Days
Required**

Mountings continued...

M13K

Add Two Piece Transition Base

A custom designed adapter base allows stock 5008-5810 frame motors to mount in existing applications, where standard footprint and shaft height are not sufficient. Mounting dimension and shaft height of existing machine is required prior to order. Please note terminal boxes, accessory boxes, and overall length may be different. Please reference drawing of stock motor to ensure proper overall fit in your application.

List price – Consult factory for quote.

QUOTE

M13L

Add Steel Fan Cover

Add Steel Fan Cover on TEFC motors.

NEMA Frame	List Price
5008-5012	650
5810	821

NOTE: Some ratings may come with steel fan cover as standard.
Contact Baldor for lead time and freight charges back to plant of manufacturing

TWO
DAYS

M13M

Add Low Noise Fan and/or Fan Cover

Add low noise steel fan cover to TEFC motors. Please contact Baldor for expected sound levels when using low noise fan covers.

NEMA Frame	List Price
5008-5810	Quote

QUOTE

M13N

Add Cast Iron Fan Cover

Converting a General Purpose, Super-E Cast Iron motor with a Steel Fan Cover to a Cast Iron Fan Cover.

NEMA Frame	List Price
143-145T	271
182-184T	284
213-215T	321
254-256T	349
404-405T	384
447-449T	437

Contact Baldor for lead time and freight charges back to plant of manufacturing.

TWO
DAYS

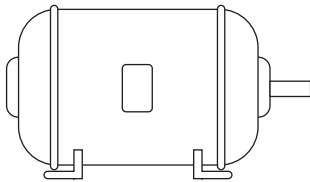
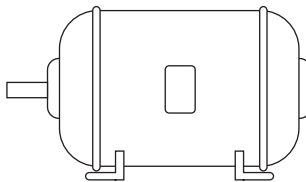
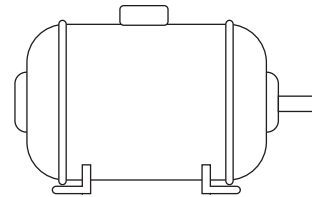
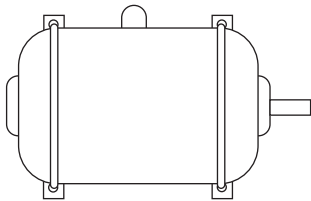
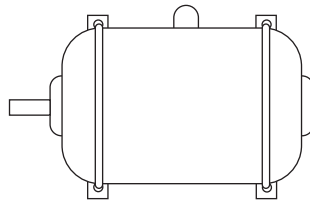
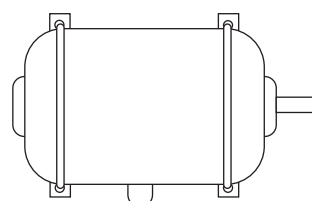
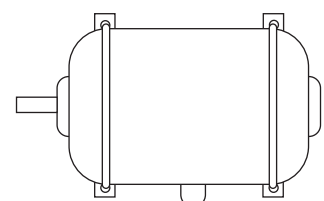
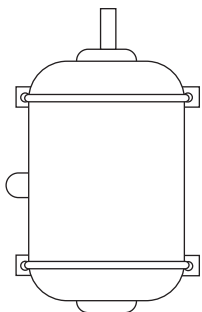
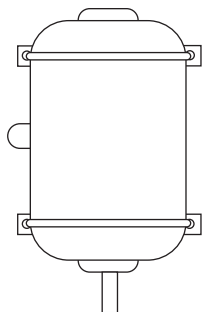
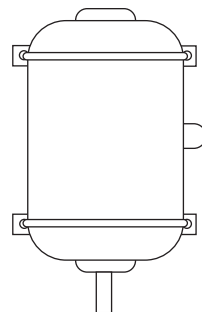
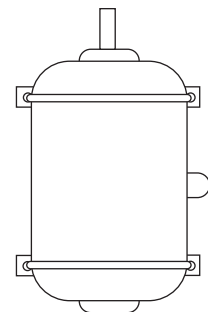
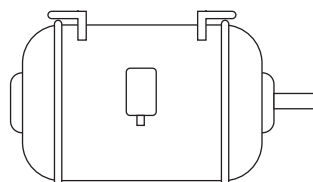
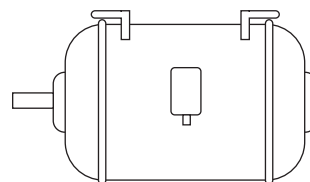
Baldor
Mod Express

ABB
Mod Express

ABB ATEX
Mod Express

Product
Index

Baldor
Sales Offices

**Modification
Number****Motor Mod Express®
Description and List Price****Working Days
Required****Floor Mountings****Assembly F-1****Assembly F-2****Assembly F-3****Wall Mountings****Assembly W-1****Assembly W-2****Assembly W-3****Assembly W-4****Assembly W-5****Assembly W-6****Assembly W-7****Assembly W-8****Ceiling Mountings****Assembly C-1****Assembly C-2****NOTE:** For all NEMA mounting configurations, refer to NEMA MG 1-2009.For more information visit baldor.com

**Modification
Number**

**Motor Mod Express®
Description and List Price**

**Working Days
Required**

Export Packaging

M14A

Open Crate Packaging

EIGHT
DAYS

Replace standard motor packaging with Open Crate. For NEMA 360 thru 449 frames the open crate has Euro base as standard. Requests for Euro pallet on NEMA 320 frame and smaller must be made in shipping instructions.

NEMA Frame	Open Crate List Price
56-215	420
254-326	547
364-445	772
447-449	873
5008-50012	1634
5810	1743

M14B

Totally Enclosed Crate Packaging

EIGHT
DAYS

Replace standard motor packaging with Enclosed Crate. For NEMA 360 thru 449 frames the enclosed crate has Euro base as standard. Requests for Euro pallet on NEMA 320 frame and smaller must be made in shipping instructions.

NEMA Frame	Enclosed Crate List Price
56-215	526
254-326	740
364-445	921
447-449	1070
5008-50012	7323
5810	7979

M14C

Motor and Nameplate Photograph

Take photo of motor and nameplate for FAA Security Endorsement Documents. Photos will be attached to sales order.

List Price per Motor: \$85

**Modification
Number****Motor Mod Express®
Description and List Price****Working Days
Required****Nameplate****M15A****Provide Original Nameplate for Remote Mounting**

Extra nameplate is packed with motor, not mounted.
All CSA and UL_R markings are removed on duplicate nameplates.
Shipped loose.

List Per Motor: \$123**5000 Frame and Above: \$369 List**TWO
DAYS**M15B****Replace Nameplate**

Replace motor nameplate which may include customer part numbers,
voltage, hertz, etc.

List Per Motor: \$147**5000 Frame and Above: \$400 List**TWO
DAYS**M15C****Laser Engrave Nameplate into Stainless Steel Motor**

Motor nameplate is laser etched on stainless steel band surface up to
210 frame motor

List Per Motor \$147TWO
DAYS**M15E****Mail Nameplates to Customer**

**(All CSA and UL_R markings are removed on nameplates
ordered as a mail out order)**

No Explosion Proof Nameplates (No Exceptions!)

**Order minimum charge of \$31 net. Add \$3.00 net for each
additional nameplate.**

5000 Frame and Above: \$369

NOTE: No charge orders only accepted if with RA or warranty claim.
Nameplates for Explosion-proof motors will not be mailed out, no exceptions.

M15F**Mark Nameplate with CE**

The motor has to meet IE2 efficiency standards and be ATEX / IECEx
approved in order to be CE marked. Does not apply to Div. 1 or Div. 2
classified motors.

List Per Motor \$147TWO
DAYS**Blowers****M16A****Add Constant Velocity Blower Unit**

For Baldor legacy products, contact Baldor for details.

TWO
DAYS**M16B****Convert from a 3 Phase to a Single Phase Blower**TWO
DAYS

NEMA Frame	List Price Per Motor
All	228

**Modification
Number**

**Motor Mod Express®
Description and List Price**

**Working Days
Required**

Paint

M17A

Paint Motor to Baldor Stock Paint Color

Baldor Stock colors are: Metallic Gray, Reliance Blue/Green, Gold Super-E, Black, White, Silver, Lite Tan. Stock colors for 5008 and up are: White, Black, Yellow, Gray and Signal Red. Please specify color on order.

All orders that call for Epoxy Paint require an additional day to allow for complete drying of paint.

NEMA Frame	List Price Per Motor
42 - 215T	147
254 - 449T	579
5008 - 5812	1359

TWO
DAYS

M17B

Paint Motor or Parts to Customer Specified Color

Painted parts include, but are not limited to, fan covers, conduit boxes, drip covers, etc.

Please provide color chip or RAL number on order.

All orders that call for Epoxy Paint require an additional day to allow for complete drying of paint.

List price: Contact Baldor for quote.

TWO
DAYS

Lifting Lugs

M18A

Add Lifting Lugs Up to a 326T Frame Size

NEMA Frame	List Price Per Motor
48 - 145T	219
182 - 215T	272
254 - 286T	353
324 - 326T	431

TWO
DAYS

Screens

M19A

Add Rodent Screens to Open Drip-Proof Motors

NEMA Frame	List Price Per Motor
56	293
143-215T	380
254-365T	461
404-449T	535

TWO
DAYS

**Modification
Number****Motor Mod Express®
Description and List Price****Working Days
Required****Hardware****M20A****Exchange Plated Hardware with Stainless Steel**

Replaces all mounting hardware for fan cover, conduit box, bearing retainers, thru-bolts, and frame bolts with 304 stainless steel hardware.

TWO
DAYS

NEMA Frame	List Price Per Motor
56-184	337
213-215	373
254-256	431
284-286	488
324-326	561
364-405	647
444-445	792
447-449	876
5008-5810	3410

NOTE: 5008 frame and up, pricing includes grease and relief tubes.

Space Heaters**M21A****Add Space Heaters to TEFC or Open Motors**

Standard space heater voltage is 110VAC. Heaters for 230 or 460 volts are available. Specify circuit voltage.

TWO
DAYS

NEMA Frame	List Price Per Motor
145T and Smaller	319
182 - 215T	402
254 - 365T	598
404 - 449T	680

NOTE: Strip type space heaters are standard.

Does Not Apply to Explosion-Proof Motors

Textile Service**M22A****Lint Proof Fan Cover for Textile Applications**

Remove standard fan cover and replace with textile fan shroud and cover.

TWO
DAYS

NEMA Frame	List Price Per Motor
48 - 145T	292
182 - 184T	380
213 - 215T	429
254 - 256T	613
284 - 286T	719
324 - 326T	795
364 - 365T	944
404 - 405T	1026
444 - 449T	1108

**Modification
Number**

**Motor Mod Express®
Description and List Price**

**Working Days
Required**

Thermal Protectors

M23A

Thermostats

TWO
DAYS

One or More Thermostats Laced to Winding

For over temperature protection. These are pilot circuit devices only with leads into conduit box tagged "JJ". Specify normally open or closed contacts. All ECP motors require hermetically sealed thermostats to maintain Division 2 marking.

NEMA Frame	Number of Devices	Standard List Price Per Motor	Hermetically Sealed for Division 2
Single Phase	1	185	N/A
Three Phase 42 - 215T	3 (3)	209	304
Three Phase 254 - 449T	3 (3)	557	653
Direct Current 48 - 215T	1	209	N/A

NOTE: (3) In Series with two leads into conduit box. Normally open are in parallel.

Does Not Apply to Explosion-Proof Motors

M23B

Exchange Thermal Overload

TWO
DAYS

Exchange from manual thermal overload to automatic thermal overload or exchange from automatic thermal overload to manual thermal overload.

NEMA Frame	List Price Per Motor
	M.T.O to A.T.O. OR A.T.O. to M.T.O.
48 and 56	230
143 and 145T	235
182 - 184T	270
213 - 215T	372

Does Not Apply to Explosion-Proof Motors

M23C

Install Resistance Temperature Detectors

Install on low voltage winding endturns (Six 100 OHM RTD's).

CONTACT
YOUR
BALDOR
DISTRICT
OFFICE

NEMA Frame	List Price Per Motor
440T	4096

NOTE: Installing RTD on winding endturns are not as effective as embedded RTD in winding. For embedded RTD, build as custom motor.

Does Not Apply to Explosion-Proof Motors

**Modification
Number****Motor Mod Express®
Description and List Price****Working Days
Required****Winding Thermocouples****(3 per motor, 6 foot standard length)****M24A****Iron Constantan (3 per motor)**

Specify location.

TWO
DAYS

NEMA Frame	List Price Per Thermocouple
42 - 215T	202
254 - 449T	417

NOTE: Thermocouples are installed on end turns.**Does Not Apply to Explosion-Proof Motors****Winding Thermistors****Does Not Apply to Explosion-Proof Motors****M25A****Thermistors**Thermistors are normally applied in sets of three (3) per motor,
One (1) per phase.**List Price per Motor: \$669**TWO
DAYS**Tropicalization****M26A****Protection of Windings and Mechanical Parts**

Protection from tropical environments.

TWO
DAYS

NEMA Frame	List Price Per Motor
	AC
Through 215T	244
254 - 365T	350
404 - 449T	598
5008 - 5810	1609

NOTE: For 5008-5810 this includes epoxy coating of rotor and stator and additional fungus protection

**Modification
Number**

**Motor Mod Express®
Description and List Price**

**Working Days
Required**

Weatherproofing

M27A

Treatment of Windings and Mechanical Parts

TWO
DAYS

Protection from the elements or high moisture areas.

NEMA Frame	List Price Per Motor
	AC
Through 215T	238
254 - 365T	1112
404 - 449T	1306

NOTE: Baldor "Dirty Duty", "CP" and "ECP" motors are weatherproofed as standard.

Does Not Apply to Explosion-Proof Motors

M27B

Upgrade to IP55 Protection

TWO
DAYS

Includes all necessary mechanical modifications for TEFC motors to meet IP55.

NEMA Frame	List Price
449T	815
5008 - 5810	815

NOTE: Available for 449T frames 2300V and above

**Modification
Number**

**Motor Mod Express®
Description and List Price**

**Working Days
Required**

Shaft Modifications

Includes modifications to existing shafts only. Not applicable if new shaft is required. Price each modification per table. One or both bearings will be replaced after shaft modification is complete.

FIVE
DAYS

NEMA Frame	List Price Per Modification	NEMA Frame	List Price Per Modification
42 - 145T	219	254T - 256T	291
182 - 184T	230	284 - 286T	291
ASM62 (5)	270	324-326T	337
213 - 215T	319	364-365T	359
ASM75 (5)	319	404-405T	401

NOTE: (5) Arbor Saw Motors.

M29A

Drill and Tap One Hole in End of Shaft or Mill Flat on Shaft Extension.

THREE
DAYS

Provide details on order. Price this modification per table above.

M29B

Convert from TEFC to TEAO

THREE
DAYS

Cut off shaft extension for external fan. Price this modification per table above.

Does Not Apply to Explosion-Proof Motors

M29C

Threading

FIVE
DAYS

Specify right hand or left hand thread, also type and length of thread. Price this modification per table above.

M29D

Convert "T" Frame to "U" Frame Shaft Dimension or Smaller (TS)

FIVE
DAYS

Provide details on order. For "U" frame conversion on 280, 320, 360, and 440 frames, please enter custom order. Not available through Mod Express.

NEMA Shaft	Conversion of T Frame to TS or U Frame
	List Price Per Motor
143 thru 145T	219
182 thru 215T	402
254 thru 286T	916
324 thru 365T	1364
404 thru 449T	2248

**Modification
Number**

**Motor Mod Express®
Description and List Price**

**Working Days
Required**

Shaft Modifications continued...

M29F

Shorten Shafts Without Reducing the Overall Diameter

THREE
DAYS

Shortening the shaft may cause the motor to fall out of NEMA standards. If motor falls out of NEMA standards, the nameplate will be designated with a "TZ" to signify short shaft.

NEMA Shaft	List Price Per Motor
48 - 145T	232
182 - 215T	247
254 - 256T	253
324 - 326T	267
364 - 365	281
404 - 405	281
447 - 449	294

M29I

Machine Explosion Proof Motor Shafts from T to U Frame

Contact Baldor for price and availability.

M29J

Convert "L" Frame to Shorter Shaft for Coupled Duty

This modification includes taking 1800 RPM and slower, 5008-5810L frame and shortening the shaft for Coupled Duty.

NEMA Frame	List Price
5008-5810	5500

NOTE: For 5008 frames and above please use reference chart below to understand allowable length reductions.
Shortening the shaft length on motors with roller bearings is not recommended.
If required please contact factory for review.

Table M29J

Frame	Speed (RPM)	Maximum shaft extension length reduction (in.)	Resulting "V" dimension (in.)	Minimum "XBA" (in.)	Standard "XBA" (in.)
5000	1800	4.88	5.12	14.62	19.50
	1200				
	900				
5800	1800	4.26	8.75	19.42	23.68
	1200				
	900				

Grounding Screw

M30A

Add Grounding Screw On Endplate

TWO
DAYS

Requirement for UL 1081, swimming pool pump motors only (includes slinger.)

List Price: \$135

**Modification
Number**

**Motor Mod Express®
Description and List Price**

**Working Days
Required**

Tach and Encoder Mounting Kits

M31A **Add Tach Mounting Kits Only** THREE DAYS

These kits are complete and will allow mounting of a BTG1000 or XPY tach generator (tach generator not included). For more information on tachometer kits, see tach mountings kits in the DC motor section.

Baldor Motor Type	List Price Per Motor
3300P	417
3400D/P	515
3500D/P	536
3600D/P	619
180 - 500 Frame DC	1333

NOTE: Price includes tach kit.

M31B **Tach Kit with BTG1000 Tach** FOUR DAYS

Order tach kit per M31A and order tach separately.

M31C **Tach Kit with XPY Tach** FOUR DAYS

Order tach kit per M31A and order tach separately.

M31D **Add Encoder Kit to Inverter Duty V*S Master or RPMAC Motor** TWO DAYS

Order encoders separately. Encoders can be found in the inverter/vector motors & controls section.

NEMA Frame	RPMAC Frame	List Price Per Motor
56 - 215T	FL/RL180-210	191
254T - 404T	FL/RL 250-400	397
444T - 449T	FL/RL440	619
5008 - 5810	N/A	2614

NOTE: For 5008-5810 frames motors come with HS35R dynapar encoders.

M31E **Additional Mounted Encoder Options for IDRPM Motors** TWO DAYS

List price includes encoder and mounting to motor.

Type	Frame Size	Mfg.	PPR	Mag or Optical	Conn Type	Input Voltage VDC	List Price
HS35	All	BEI	1024	O	MS-TL	5-28	1834
HS35	All	BEI	2048	O	MS-TL	5-28	1834
LP35	All	BEI	1024	M	Term. Block	5-15	1834
LP35	All	BEI	1024	M	MS-TL	5-15	1834
LP35	All	BEI	1024	M	MS-ST	5-15	1834
HS20	All	Dynapar	1024	O	MS-TL	5-26	1834
ST85	All	Northstar	1024	O	EPIC Latch	5-15	3226
HS35M	All	Avtron	1024	M	MS-ST	5-24	1995
HS35M	All	Avtron	1024	M	EPIC Latch	5-24	1995

**Modification
Number**

**Motor Mod Express®
Description and List Price**

**Working Days
Required**

Testing

Contact your Baldor District Office for original factory test reports.

M32A

**CSA C390 Method 1 Equivalent to IEEE 112
Method B Performance Testing**

SEVEN *
DAYS

Three phase stock motors will be tested under lab conditions according to CSA C390 (equivalent to IEEE 112b). Complete test data will be supplied. Bearings are replaced after testing.

NEMA Frame	List Price Per Motor
42 - 215	2400
254 - 320	3901
360 - 449	4694
5008 - 5810	5250

NOTE: For 449T frames 2300V and above use 5000 frame price – motors will be tested at factory.

M32B

**Witnessed CSA C390 Method 1 Equivalent to
IEEE 112 Method B Performance Testing**

SEVEN *
DAYS

Test schedule must be coordinated with Baldor corporate office. Bearings are replaced after testing.

NEMA Frame	List Price Per Motor
42 - 215	7709
254 - 320	8613
360 - 449	8837
5008 - 5810	9450

NOTE: For 449T frames 2300V and above use 5000 frame price - motors will be tested at factory.

Testing

M33A

Short Motor Test

SEVEN *
DAYS

Three phase or single phase motors will have any or all of the following motor characteristics measured. Test data will be supplied. All data will be taken on cold motor.

- No Load Current
- Full Load Current
- Breakdown Torque
- Locked Rotor (Starting) Current
- Locked Rotor Torque
- Hi-Potential Test

NEMA Frame	List Price Per Motor
42 - 215T	400
254 - 449T	731

NOTE: Not available for 449T Frame 2300 Volt and up.

NOTE: * Lead time is dependent on Test Lab availability. Contact your Baldor District Office.

**Modification
Number****Motor Mod Express®
Description and List Price****Working Days
Required****Testing continued...****M33B****Routine Motor Test**

This is a test reported per IEEE Std. 112 - 2004 Annex B. All data will be taken on a cold motor. Bearings are replaced after testing. Test includes:

- No Load Current
- High-Potential
- Locked Rotor Current
- Winding resistance

SEVEN *
DAYS

NEMA Frame	List Price Per Motor
42 - 215T	270
254 - 449T*	496

M33C**Complete Performance Test**

A Complete test uses a dynamometer to verify nameplate description and electrical design characteristics. The motor is allowed to achieve its full load temperature rise before making performance measurements. Testing conducted per IEEE Std 112-2004 Annex C. Test report includes:

- No Load Current
- Temperature Rise
- Full Load Current
- Full Load Slip
- Locked Rotor Current
- Measure breakdown and starting torques
- High-Potential
- Measure efficiency at 100%, 75%, 50% & 25% of full load
- Winding Resistance
- Measure power factor at 100%, 75%, 50% & 25% of full load
- Full Load Heat Run

SEVEN *
DAYS

NEMA Frame	List Price Per Motor
42 - 215T	2400
254 - 320T	3597
360T - 449T*	8787

NOTE: For 449T frame 2300 Volt and up please see M32A.

M33D**Calibration Test**

This test consists of 0 to 125% rated load test measurement of speed, torque, current, power factor and efficiency at rated voltage. The data is provided as a curve plotted on Baldor•Reliance standard format. Tests may also be performed as a witnessed test.

CONTACT *
BALDOR
DISTRICT
OFFICE

NEMA Frame	Calibration Test
42 - 215T	2160
254T - 320T	2878
360T - 449T*	7913

NOTE: Not available for 449T frame 2300 Volt and above.

NOTE: * Lead time is dependent on Test Lab availability. Contact your Baldor District Office.

For more information visit baldor.com

**Modification
Number**

**Motor Mod Express®
Description and List Price**

**Working Days
Required**

Testing continued...

M33E

Sound Measurement Test

SEVEN *
DAYS

Two tests are available to measure the sound produced by the motor at idle and operated from a line power supply.

The basic test is an overall sound measurement (one band). The Noise test that verifies sound levels per procedures defined in IEEE-85 under a No Load Condition showing an octave band analysis is also available. Double these prices for witnessed tests.

Note: Sound tests must be performed in Fort Smith or the Motor R&D Lab in Greenville. Allow for extra shipping time and freight charges from plant.

NEMA Frame	List Price Per Motor
42 - 215T	985
254 - 445T	1472
447 - 449T	3595

NOTE: * Lead time is dependent on Test Lab availability. Contact your Baldor District Office.

Worm Gear Modifications

M34A

Install Bases on Worm Gear Speed Reducers.

TWO
DAYS

List price include bases.

900 Series			
Size	Horiz. Base List Price	Vertical Low Base List Price	Vertical High Base List Price
913	200	242	244
915	211	244	247
918	211	244	247
921	215	249	252
924	230	268	274
926	244	309	313
932	274	337	344
938	299	379	391

**Modification
Number****Motor Mod Express®
Description and List Price****Working Days
Required****Worm Gear Modifications continued...****M34B****Convert from Single to Double End Output Shaft on
Worm Gear Speed Reducers.**TWO
DAYS

List price includes shaft.

900 Series		Universal Series	
Size	List Price	Size	List Price
913	221	133	217
915	224	175	224
918	224	200	224
921	224	225	235
924	230	258	244
926	244	300	249
932	249	350	270
938	270	400	296

M34C**Convert Output Shaft from Left Hand to Right Hand or
vice versa, or Remove Left or Right shaft output on
900 or Universal Series Reducers**TWO
DAYS

List Price: \$168 (Price does not include reducer)

M34D**Install Motor on 900 F-Series or Universal
STF Series Reducers**TWO
DAYS

List Price: \$168 (Price does not include motor or reducer)

Terminal Blocks**M35A****Install IEC Terminal Blocks in Conduit Box
and Connect Leads**TWO
DAYS

IEC Frame, stocked with terminal blocks.

Advise how motors leads are to be connected.

Does Not Apply to Explosion-Proof Motors

NEMA Frame	List Price
34 FRAME - 56-143T	228
35 FRAME - 56-145T	245
182-184	272
213-215	298
254-256	342
284-286	353
324-326	1031
364-365	1031
404-405	1031
444-449	1031

NOTE: Not available for 449T frames 2300V and above

**Modification
Number**

**Motor Mod Express®
Description and List Price**

**Working Days
Required**

Starters

Add Magnetic or Manual Starter to Grinder or Buffer

Mounted and wired on Baldor industrial grinders and buffers. Starters are in NEMA 1 enclosure and have the push button in cover. Available only as factory installed options.

Lead time is dependent on delivery of the starter.

Price of the starter is included.

M36A

Starter – Single Phase

Full voltage control.

Some modifications cannot be performed on UL, CSA, or UL/CSA Certified Grinders, Buffers, or Belt Sanders without voiding the Certification. In such instances, the Certification Mark(s) would need to be removed.

Please contact your Baldor representative.

TWO
DAYS

Grinder Wheel Size	Buffer Hp	Manual	Magnetic	
		115/230 Volts List Price	115 Volts List Price	230 Volts List Price
6"	1/3	503	825	922
7"	N/A	503	825	922
8"	3/4	503	946	922
10"	1	503	946	922
N/A	1-1/2	503	946	810
12"	2	Standard Equipment	803*	810*

NOTE: Specify voltage when ordering.

*Price includes allowance for omission of standard starter.

M36B

Starter – Three Phase

Full voltage control. **Price of the starter is included.**

Some modifications cannot be performed on UL, CSA, or UL/CSA Certified Grinders, Buffers, or Belt Sanders without voiding the Certification. In such instances, the Certification Mark(s) would need to be removed.

Please contact your Baldor representative.

TWO
DAYS

Grinder Wheel Size	Buffer Hp	Manual	Magnetic	
		208-230/460 Volts List Price	208-230 Volts List Price	460 Volts List Price
7"	N/A	581	922	850
8"	N/A	581	922	850
10"	3/4	581	922	850
12"	1	Standard Equipment	650*	597*
12"	2	Standard Equipment	650*	597*

NOTE: Specify voltage when ordering.

*Price includes allowance for omission of standard starter.

**Modification
Number****Motor Mod Express®
Description and List Price****Working Days
Required****Starters continued...****M36C****Magnetic Starter – Three Phase**

With Low Voltage Control.

Price of the starter is included.

TWO
DAYS

Grinder Wheel Size	Buffer Hp	Magnetic With 110 Volt Control Circuit Transformer	
		208-230 Volts	460 Volts
		List Price	List Price
7"	N/A	2071	2291
8"	N/A	2071	2291
10"	3/4	2071	2291
12"	1	2032*	2074*
12"	2	2032*	2074*
14"	5	2032*	2074*
14"	7-1/2	2032*	2074*

NOTE: Specify voltage when ordering.

*Price includes allowance for omission of standard starter.

M36D**Overload Protection for Dust Control Unit**

Price of the starter is included.

TWO
DAYS

NEMA Frame	List Price
All	619

NOTE: Must be used with magnetic control. Contact Baldor for details.**Voltage****M37A****Change a Grinder Dust Control Unit from
230/460 Volts to 575 Volts**TWO
DAYS

Some modifications cannot be performed on UL, CSA, or UL/CSA Certified Grinders, Buffers, or Belt Sanders without voiding the Certification. In such instances, the Certification Mark(s) would need to be removed.

Please contact your Baldor representative.

NEMA Frame	List Price
All	184

M37B**Reconnect grinder for 230V and change to 230V relay**
List Price \$184TWO
DAYS

**Modification
Number**

**Motor Mod Express®
Description and List Price**

**Working Days
Required**

Shaft Grounding

A shaft ground may be specified by many HVAC, pump and conveyor manufacturers to mitigate the effects of Adjustable Speed Drive circulating currents and prolong bearing life. Shaft grounding is available as an option on Baldor•Reliance custom motors or can be installed on a stock motor in Baldor's Mod Express. On applications where washdown or debris may be present, mounting the ground internally on the motor (as custom) may be required.

NOTE: A shaft ground is a sparking device not suited for explosion-proof Division 1 or 2 applications, even when mounted internally.

Baldor offers three main types of shaft grounding devices:

- **M39A - Shaft Grounding Systems**
- **M39B - Shaft Grounding Rings**
- **M39C - Shaft Grounding Brush**

M39A

Shaft Grounding Systems

The SGS™ (Shaft Grounding Systems) design is a robust, enclosed unit designed for harsh environments. Mounts to the opposite drive end of the motor on TEFC, TENV, TEBC & ODP motors.



THREE
DAYS

NEMA Frame	List Price
56 - 449T	1231

Does Not Apply to Explosion-Proof or Division 2 Motors

M39B-1

AEGIS® Bearing Protection Ring

NEMA Frame	Shaft Diameter	List Price
56	0.625	221
140T, 180	0.875	232
180T, 210	1.125	244
210T, 250U	1.375	258
250T, 280U	1.625	322
280T, 320U, 320TS, 360TS	1.875	343 (1)
320T, 360U, 400TS	2.125	379 (1)
360T, 400U, 440TS	2.375	456 (1)
400T, 440U	2.875	643 (1)
440T	3.375	766 (1)

(1) Motors over 100 Hp / 75 kW require an additional modification to add an insulated bearing on the opposite drive end. Reference Mod M2F to add for one insulated bearing on the ODE of the motor.

NOTE: For this modification, the AEGIS Bearing Protection Ring mounts to the drive end of the motor.

**Modification
Number**

**Motor Mod Express®
Description and List Price**

**Working Days
Required**

Shaft Grounding continued...

M39B-2 Inpro/Seal® Current Diverter Ring™

NEMA Frame	Shaft Diameter	List Price
56	0.625	226
140T, 180	0.875	226
180T, 210	1.125	272
210T, 250U	1.375	320
250T, 280U	1.625	383
280T, 320U, 320TS, 360TS	1.875	458 (1)
320T, 360U, 400TS	2.125	515 (1)
360T, 400U, 440TS	2.375	547 (1)
400T, 440U	2.875	653 (1)
440T	3.375	738 (1)

(1) Motors over 100 Hp / 75 kW require an additional modification to add an insulated bearing on the opposite drive end. Reference Mod M2F to add for one insulated bearing on the ODE of the motor.

NOTE: For this modification, the Inpro/Seal Current Diverter Ring mounts to the drive end of the motor.

M39B-3 Inpro/Seal® Motor Grounding Seal™

The Inpro/Seal Motor Grounding Seal *includes* their labyrinth seal.

NEMA Frame	Shaft Diameter	List Price
56	0.625	1184
140T, 180	0.875	1184
180T, 210	1.125	1213
210T, 250U	1.375	1242
250T, 280U	1.625	1541
280T, 320U, 320TS, 360TS	1.875	1686 (1)
320T, 360U, 400TS	2.125	1767 (1)
360T, 400U, 440TS	2.375	2083 (1)
400T, 440U	2.875	2225 (1)
440T	3.375	2711 (1)

(1) Motors over 100 Hp / 75 kW require an additional modification to add an insulated bearing on the opposite drive end. Reference Mod M2F to add for one insulated bearing on the ODE of the motor.

NOTE: For this modification, the Inpro/Seal Motor Grounding Seal (MGS) will be installed on the drive end of the motor (unless otherwise specified), and replaces any existing seal currently installed on the motor. Use of a MGS on both ends of the motor is not recommended as it may introduce the potential for circulating currents.

M39C Baldor Shaft Grounding Brush Assembly

Add external shaft grounding brush to motor endplate.
Brush contacts motor shaft diameter.

TWO
DAYS

NEMA Frame	List Price Per Motor
48, 56	221
140	232
180	244
210	258
250	272
280	291 (1)
320	318 (1)
360	350 (1)
400	386 (1)
5008 - 5810	1306 (1)



Does Not Apply to Explosion-Proof Motors

(1) Motors over 100 Hp / 75 kW require an additional modification to add an insulated bearing on the opposite drive end. Reference Mod M2F to add for one insulated bearing on the ODE of the motor.

For more information visit baldor.com

**Modification
Number**

**Motor Mod Express®
Description and List Price**

**Working Days
Required**

Check Total Indicated Runout (TIR)

M40A Check Total Indicated Runout (TIR)
Check C-face and shaft run out. If applicable check foot flatness.
List Price: \$123

Vibration Detectors

M41A Provisions for Vibration Detection
This will include (1) vibration block on DE and (1) on ODE of the motor, with a 1/4 - 28 standard drill and tap. Please specify plane (horizontal, vertical, axial) at time of order.

TWO
DAYS

NEMA Frame	List Price
5008 - 5810	3076

M41B Add Vibration Switch
Includes adding a vibration switch to each end of the motor, (1) on DE and (1) on ODE

NEMA Frame	List Price
5008 - 5810	12300

NOTE: Requires M41A.
Providing the vibration switches only. Instrumentation leads are not provided.

M41C Add Velocity Transducer
Pricing is per set of transducers.
Up to (3) sets can be supplied per motor to measure Horizontal, Vertical, and Axial positions.
Direction of measurement to be specified at order entry.

NEMA Frame	List Price
5008 - 5810	5490

NOTE: Requires M41A.
Providing the velocity transducers only. Instrumentation leads are not provided.

M41D Add Accelometer
Pricing is per set of accelerometers.
Up to (3) sets can be supplied per motor to measure Horizontal, Vertical, and Axial positions.
Direction of measurement to be specified at order entry.

NEMA Frame	List Price
5008 - 5810	5350

NOTE: Requires M41A.
Providing the accelerometers only. Instrumentation leads are not provided.

Cast Iron Endplate

M42A Install Cast Iron Endplate

NEMA Frame	Cast Iron Endplate Price
48 & 56	151
143 - 145T	159
182 - 184T	168
213 - 215T	185

VC002	Replace/Add Customer Motor Nameplate	418
VC005	Add Drip Cover	418
VC008	Add IEC B14 C-Face	418
VC009	Add IEC B5 D-Flange	419
VC066	Convert Motor for other than Horizontal Mounting	419
VC096	Fulfilling Marine Duty LR, without Certificate	419
VC122	Bimetal Detectors 150° C	420
VC135	Additional Stainless Motor Nameplate	420
VC148	Routine Test Report	420
VC161	Additional Loose Motor Nameplate	421
VC163	Add Adjustable Speed Motor Nameplate	421
VC186	Fulfilling Marine Duty DNV, without Certificate	421
VC450	Add 100-120V Space Heater	421
VC451	Add 200-240V Space Heater	422
VC675	Fulfilling Marine Duty ABS, without certificate	422
VCM13E	Remove Mounting Feet	422

Motor Mod Express®

Ordering Information

Note: Motors made for sale in the U.S. by ABB must comply with the Integral Motor Horsepower Rule including those modified from stock. After any modification, the motor must comply with the Integral Motor Horsepower Rule or the applicable regulations such as Natural Resources Canada if used in that country.

Note that 50 Hz efficiency levels may not be the same level when operated at 60 Hz. Changing the voltage may also change the IE class.

To order, specify the catalog number of the stock product and the MOD variant code number. Use the motor discount for the motor. All modifications should be priced using the modification list price, applying the appropriate multiplier symbol for the motor. **Lead times indicated are subject to availability of stock motors in the Fort Smith Warehouse.** Customer will absorb all freight costs when motor is shipped to Fort Smith for modification from field warehouses.

NOTE:

Some modifications do not apply to explosion-proof or hazardous duty motors. Modifications for process performance aluminum and cast iron, M3AA/M3BP. Contact Baldor for Approval

MOD Express Cancellation Policy

Should it be necessary to cancel an order for a motor after it is modified, but before it ships – a cancellation charge of double the modification charge will be invoiced to the customer. Any MOD order cancelled before modification is completed is subject to 25% cancellation charge.

Once shipped, modified motors returned at purchaser's expense will be invoiced at double the MOD fee plus 10% restock fee.

Note

All lead times indicated are subject to availability of stock motors and parts in the Fort Smith warehouse. Please check stock availability before quoting lead time.

Some conversions may not be allowed if they result in a change of operating parameters that affect efficiency or change the EISA or NRCan classification of compliant motors.

Modification prices do not include the cost of the motor, speed reducer, etc.

Modification Number

Motor Mod Express® Description and List Price

Working Days Required

VC002 Replace/Add Customer Motor Nameplate

TWO DAYS

Restamp voltage, frequency and output, continuous duty.
 Rating data according to quotation and engineering approval.
 Rerate must be compliant with pertinent MEPS requirements.
 You will be required to provide end destination country.
 MotSize data sheet is required.

List Per Motor: \$147

VC005 Add drip cover

TWO DAYS

Add metal drip cover to motor for vertical mounting.
 Requires VC066.
 Not for ATEX or hazardous duty motors.

IEC Frame Size	Aluminum List Price	Cast Iron List Price
63	N/A	N/A
71 - 80	164	133
90 - 100	119	133
112 - 132	119	133
160	217	243
180	249	279
200	264	295
225	355	397
250	442	495
280	N/A	563

VC008 Add IEC B14 C-Face

TWO DAYS

Add IEC B14 C-face to B3 base mounted motor
 (Convert to B34).
 Not for ATEX or hazardous duty motors.

IEC Frame Size	Aluminum List Price	Cast Iron List Price
63	198	N/A
71 - 80	187	120
90 - 100	144	173
112 - 132	162	173
160	498	N/A
180	N/A	N/A
200	N/A	N/A
225	N/A	N/A
250	N/A	N/A
280	N/A	N/A

Modification Number

**Motor Mod Express®
Description and List Price**

Working Days Required

VC009

Add IEC B5 D-Flange

TWO DAYS

Add IEC B5 D-flange to B3 base mounted motor (Convert to B35).
Not for ATEX or hazardous duty motors.

IEC Frame Size	Aluminum List Price	Cast Iron List Price
63	198	N/A
71 – 80	152	120
90 – 100	144	120
112 – 132	162	173
160	311	453
180	434	485
200	589	659
225	653	731
250	715	800
280	N/A	651

VC066

Convert motor for other than horizontal mounting

TWO DAYS

Adjust placement of weep holes if motor is used as other than horizontally mounted in normal plane
Not for ATEX or hazardous duty motors.

IEC Frame Size	Aluminum List Price	Cast Iron List Price
63 - 250	60	60

VC096

Fulfilling Marine Duty LR, without certificate (non-essential service only)

TWO DAYS

IEC Frame Size	Aluminum List Price	Cast Iron List Price
63	76	N/A
71 – 80	76	80 *
90 - 100	72	80 *
112 – 132	72	80 *
160 - 180	155	157
200 - 250	217	226
280	N/A	534

* Pricing for IE2 motor only; Variant is not available for IE3 motors.

Modification Number

Motor Mod Express® Description and List Price

Working Days Required

VC122

Bimetal Detectors 150° C

FIVE DAYS

Install normally-closed winding thermostats (3 in series)

IEC Frame Size	Aluminum List Price	Cast Iron List Price
63	N/A	N/A
71 - 80	186	N/A
90 - 100	212	N/A
112 - 132	222	N/A
160 - 180	N/A	N/A
200 - 250	N/A	N/A
280	N/A	N/A

VC135

Additional Stainless Motor Nameplate

TWO DAYS

Add customer part number, PO, job number, etc.
Not to be used for electrical ratings.

List Per Motor: \$147

VC148

Routine Test Report

SEVEN DAYS

Supply copies of test report for specific motor on order. Three phase motors will have the following motor characteristics measured. Test data will be supplied. All data will be taken on cold motor.

1. Visual inspection.
2. Terminal markings and direction of rotation.
3. Resistance measurement at ambient temperature.
4. No load test (speed and current).
5. Locked rotor test (torque and current).
6. Withstand voltage test (hipot).
7. Insulation resistance measurement (meg ohm).

IEC Frame Size	Aluminum List Price	Cast Iron List Price
63	203	N/A
71 - 80	203	267
90 - 100	217	267
112 - 132	264	294
160 - 180	289	384
200 - 250	372	417
280	N/A	425

Modification Number	Motor Mod Express® Description and List Price	Working Days Required
---------------------	--	-----------------------

<p>VC161 Additional Loose Motor Nameplate Add customer part number, PO, job number, etc. Not to be used for electrical ratings. List Per Motor: \$147</p>	<p>TWO DAYS</p>
--	-----------------

<p>VC163 Add Adjustable Speed Motor Nameplate Add adjustable speed nameplate. Rating data according to quotation and engineering approval. Rating must be compliant with with pertinent MEPS requirements. You will be required to provide end destination country. DriveSize data sheet is required. List Per Motor: \$147</p>	<p>TWO DAYS</p>
---	-----------------

<p>VC186 Fulfilling Marine Duty DNV, without certificate (non-essential service only)</p>	<p>TWO DAYS</p>
--	-----------------

IEC Frame Size	Aluminum List Price	Cast Iron List Price
63	76	N/A
71 – 80	76	80 *
90 - 100	76	80 *
112 – 132	76	80 *
160 - 180	141	157
200 - 250	202	226

* Pricing for IE2 motor only; Variant is not available for IE3 motors.

<p>VC450 Add 100-120V Space Heater Standard space heater is 120V. Not for ATEX or hazardous duty motors.</p>	<p>FIVE DAYS</p>
---	------------------

IEC Frame Size	Aluminum List Price	Cast Iron List Price
63	362	N/A
71 – 80	362	294
90 – 100	350	294
112 – 132	357	334
160	481	538
180	530	594
200	592	663
225	677	758
250	815	912
280	N/A	N/A

Modification Number

Motor Mod Express® Description and List Price

Working Days Required

VC451 Add 200-240V Space Heater

FIVE DAYS

Standard space heater is 240V.
Not for ATEX or hazardous duty motors.

IEC Frame Size	Aluminum List Price	Cast Iron List Price
63	362	N/A
71 – 80	362	294
90 – 100	350	294
112 – 132	357	334
160	481	538
180	530	594
200	592	663
225	677	758
250	815	912
280	N/A	N/A

VC675 Fulfilling Marine Duty ABS, without certificate (non-essential service only)

TWO DAYS

IEC Frame Size	Aluminum List Price	Cast Iron List Price
80-132	76*	80*
160-180	155	132
200-225	217	226
280	N/A	534

* Pricing for IE2 motor only; Variant is not available for IE3 motors.

VCM13E Remove mounting feet from aluminum motors only (To be used with VC008 or VC009.)

TWO DAYS

IEC Frame Size	Aluminum List Price	Cast Iron List Price
63-132	N/A	N/A
160-180	150	N/A
200-250	200	N/A

Modification Number

Motor Mod Express®

Page No.

VC002X	Replace/Add Customer Motor Nameplate	425
VC005X	Add Drip Cover	425
VC008X	Add IEC B14 C-Face	425
VC009X	Add IEC B5 D-Flange	426
VC066X	Convert Motor for Other than Horizontal Mounting	426
VC096X	Fulfilling Marine Duty LR, without Certificate	426
VC135X	Additional Stainless Motor Nameplate	426
VC148X	Routine Test Report	427
VC161X	Additional Loose Motor Nameplate	427
VC163X	Add Adjustable Speed Motor Nameplate	427
VC186X	Fulfilling Marine Duty DNV, without Certificate	427
VC403X	NEW! Degree of protection IP56.	428
VC450X	Add 100-120V Space Heater	428
VC451X	Add 200-240V Space Heater	428
VC675X	Fulfilling Marine Duty ABS, without Certificate	429
VC813X	Thermistor based surface temperature protection T4 for Frequency Converter Duty	429
VCM13X	Remove Mounting Feet	429

Baldor
Mod Express

ABB
Mod Express

ABB ATEX
Mod Express

Product
Index

Baldor
Sales Offices

Motor Mod Express®**Ordering Information**

To order, specify the catalog number of the stock product and the MOD variant code number. Use the motor discount for the motor. All modifications should be priced using the modification list price, applying the appropriate multiplier symbol for the motor. Lead times indicated are subject to availability of stock motors in the Fort Smith Warehouse. Customer will absorb all freight costs when motor is shipped to Fort Smith for modification from field warehouses.

Please consider the MEPS and hazardous certificate requirements for the end destination country.

NEW modifications are indicated with RED Titles.

MOD Express Cancellation Policy

Should it be necessary to cancel an order for a motor after it is modified, but before it ships – a cancellation charge of double the modification charge will be invoiced to the customer. Any MOD order cancelled before modification is completed is subject to 25% cancellation charge.

Once shipped, modified motors returned at purchaser's expense will be invoiced at double the MOD fee plus 10% restock fee.

Note

All lead times indicated are subject to availability of stock motors and parts in the Fort Smith warehouse. Please check stock availability before quoting lead time.

Modification prices do not include the cost of the motor, speed reducer, etc.

Modification Number

Motor Mod Express® Description and List Price

Working Days Required

VC002X Replace/Add Customer Motor Nameplate

Restamp voltage, frequency and output, continuous duty.
 Rating data according to quotation and engineering approval.
 Rerate must be compliant with pertinent MEPS requirements.
 You will be required to provide end destination country.
 MotSize data sheet is required.

List Per Motor: \$147

TWO DAYS

VC005X Add Drip Cover

Add metal drip cover to motor for vertical mounting.
 Requires VC066.

TWO DAYS

IEC Frame Size	Ex nA List Price	Ex d & Ex de List Price
80	134	134
90 – 132	147	147
160	205	205
180	236	236
200	249	249
225	335	335
250	418	418
280	512	N/A

VC008X Add IEC B14 C-Face

Add IEC B14 C-face to B3 base mounted motor
 (Convert to B34).

TWO DAYS

IEC Frame Size	Ex nA List Price	Ex d & Ex de List Price
80	198	208
90 – 100	260	273
112 – 132	305	320
160	N/A	N/A
180	N/A	N/A
200	N/A	N/A
225	N/A	N/A
250	N/A	N/A
280	N/A	N/A

Modification Number	Motor Mod Express® Description and List Price	Working Days Required
---------------------	---	-----------------------

VC009X Add IEC B5 D-Flange

TWO DAYS

Add IEC B5 D-flange to B3 base mounted motor (Convert to B35).

IEC Frame Size	Ex nA List Price	Ex d & Ex de List Price
80	186	195
90 – 132	194	204
160	334	402
180	366	402
200	497	540
225	551	580
250	603	633
280	655	N/A

VC066X Convert Motor for Other than Horizontal Mounting

TWO DAYS

Adjust placement of weep holes if motor is used as other than horizontally mounted in normal plane

IEC Frame Size	M3GP, Ex nA Only Cast Iron List Price
63-250	60

VC096X Fulfilling Marine Duty LR, without Certificate (non-essential service only)

TWO DAYS

IEC Frame Size	Ex nA, Ex d & Ex de List Price
80-132	77
160-180	116
200-225	167

VC135X Additional Stainless Motor Nameplate

TWO DAYS

Add customer part number, PO, job number, etc. Not to be used for electrical ratings.

List Per Motor: \$147

Modification Number	Motor Mod Express® Description and List Price	Working Days Required
---------------------	---	-----------------------

VC148X Routine test report

SEVEN DAYS

- Supply copies of test report for specific motor on order.
 Three phase motors will have the following motor characteristics measured.
 Test data will be supplied. All data will be taken on cold motor.
1. Visual inspection.
 2. Terminal markings and direction of rotation.
 3. Resistance measurement at ambient temperature.
 4. No load test (speed and current).
 5. Locked rotor test (torque and current).
 6. Withstand voltage test (hipot).
 7. Insulation resistance measurement (meg ohm).

IEC Frame Size	Ex nA List Price	Ex d & Ex de List Price
80-100	267	267
112 – 132	294	294
160 – 180	324	324
200 - 250	352	352
280	425	N/A

VC161X Additional Loose Motor Nameplate

TWO DAYS

Add customer part number, PO, job number, etc.
 Not to be used for electrical ratings.

List Per Motor: \$147

VC163X Add Adjustable Speed Motor Nameplate

TWO DAYS

Add adjustable speed nameplate.
 Rating data according to quotation and engineering approval.
 Rerate must be compliant with pertinent MEPS requirements.
 You will be required to provide end destination country.
 DriveSize data sheet is required.
 Motors can only be used with ABB ACS550 or ACS800 using DTC.

List Per Motor: \$147

VC186X Fulfilling Marine Duty DNV, without Certificate (non-essential service only)

TWO DAYS

IEC Frame Size	Ex nA, Ex d & Ex de List Price
80-132	77
160-180	116
200-225	167
280	484

Modification Number

Motor Mod Express® Description and List Price

Working Days Required

VC403X Degree of Protection IP56

TWO DAYS

IEC Frame Size	Ex nA List Price	Ex d & Ex de List Price
80-100	307	307
112 – 132	384	384
160-250	500	500

VC450X Add 100-120V Space Heater

FIVE DAYS

IEC Frame Size	Ex nA List Price	Ex d & Ex de List Price
80-90	283	283
100	283	283
112 – 132	322	322
160	397	397
180	438	438
200	489	489
225	559	559
250	673	673
280	697	N/A

VC451X Add 200-240V Space Heater

FIVE DAYS

Standard space heater is 240V.

IEC Frame Size	Ex nA List Price	Ex d & Ex de List Price
80-90	283	283
100	283	283
112 – 132	322	322
160	397	397
180	438	438
200	489	489
225	559	559
250	673	673
280	697	N/A

Modification Number

Motor Mod Express® Description and List Price

Working Days Required

VC675X Fulfilling Marine Duty ABS, without Certificate (non-essential service only)

TWO DAYS

*Please note for M3KP/M3JP, Exd/Exde motors only.
Not available for M3GP/ExnA.*

IEC Frame Size	Ex d & Ex de List Price
80-132	77
160-180	116
200-225	167
280	484

VC813X Thermistor Based Surface Temperature Protection T4 for Frequency Converter Duty.

TWO DAYS

*(Ex d and Ex de only must be combined with VC163)
Not available for M3GP/ExnA.*

IEC Frame Size	Ex d & Ex de List Price
80-100	201
112-132	237
160-180	283
200-250	295
280	N/A

**VCM13X Remove Mounting Feet.
To be used with VC008X or VC009X.**

TWO DAYS

*Please note for M3KP/M3JP, Exd/Exde motors only.
Not available for M3GP/ExnA.*

IEC Frame Size	Ex d & Ex de List Price
63-132	100

Baldor
Mod Express

ABB
Mod Express

ABB ATEX
Mod Express

Product
Index

Baldor
Sales Offices

Catalog Number	Page Number	List Price	Mult Sym.	Ship Wgt ⁽¹⁾	Type Code
111	371	393	G1	25	
114	371	393	G1	24	
340	374	482	G1	31	
342	374	482	G1	31	
500	370	1544	G1	109	
510	370	1544	G1		
522	370	1736	G1	109	
532	370	1736	G1	109	
612	367	388	G1	30	
662	367	388	G1	29	
712	367	563	G1	45	
762	367	563	G1	43	
1250	371	2373	G1	164	
1251	371	2305	G1	160	
1252	371	2179	G1	156	
1253	371	2117	G1	156	
1453	371	2862	G1	223	
1454	371	3024	G1	229	
1457	371	3181	G1	228	
1458	371	2708	G1	218	
7306	367	714	G1	70	
7307	367	714	G1	70	
7308	367	714	G1	71	
7309	367	714	G1	72	
7351	367	714	G1	67	
09-1309	358	394	A8	22	
09-1309GLD	358	394	A8	22	
09-1310	358	596	A8	22	
09-1310GLD	358	596	A8	22	
09CB5001A01SP	360	82	P1	3	
09CB5001A15SP	360	69	P1	3	
10-1304	358	483	A8	32	
10-1304GLD	358	483	A8	32	
10-1305	358	457	A8	32	
10-1305ECP8	358	894	A8	32	
10-1305GLD	358	457	A8	32	
1021W	368	1360	G1	134	
1021WD	368	1558	G1	146	
1022W	368	1380	G1	133	
1022WD	368	1580	G1	145	
105W	368	1360	G1	133	
10CB5001A01SP	360	109	P1	6	
10CB5002A01SP	360	132	P1	4	
10EP1502A01SP	361	581	A8	39	
12-1105	358	563	A8	48	
12-1105ECP8	358	1124	A8	48	
12-1105GLD	358	563	A8	48	
1215W	369	3102	G1	253	
1216W	369	3212	G1	248	
1217W	369	3285	G1	253	

Catalog Number	Page Number	List Price	Mult Sym.	Ship Wgt ⁽¹⁾	Type Code
129W	369	3212	G1	256	
12EP1501A03SP	361	1003	A8	50	
133-6FBA	356	69	A8		
1406W	369	3980	G1	359	
1407W	369	4341	G1	372	
1408W	369	3980	G1	358	
1409W	369	4341	G1	374	
1410W	369	3980	G1	362	
1411W	369	4341	G1	381	
180-5002	359	903	P1	18	
2048-151D	371	1777	G1	88	
2048-153D	371	1693	G1	76	
210-5001	359	1193	P1	12	
248-151AS	371	2494	G1	105	
248-151TD	371	1966	G1	95	
248-153TD	371	1855	G1	84	
248-181TD	371	2267	G1	138	
248-183TD	371	2224	G1	128	
250-5001	359	1668	P1	75	
280-5002	359	2343	P1	57	
320-5002	359	3080	P1	87	
330B	371	754	G1	56	
332B	371	772	G1	55	
333B	371	772	G1	56	
334B	371	754	G1	54	
33CB5000A01SP	360	40	P1	1	
33CB5001A01SP	360	40	P1	1	
34-171	357	60	A8	2	
34-3300FD	357	69	A8	2	
34-3900T	357	60	A8	1	
34-3903A	357	73	A8	2	
34-3903A-GLD	357	73	A8	2	
34-3903T	357	76	A8	2	
34-3903T-GLD	357	76	A8	2	
34CB5001A01SP	360	39	P1	1	
35-1300	357	120	A8	6	
35-1300GLD	357	120	A8	6	
35-1325	357	154	A8	11	
35-1325GLD	357	154	A8	11	
35-1409	357	172	A8	11	
35-1409GLD	357	172	A8	11	
35-3300FD	357	138	A8	6	
35-3304	357	85	A8	4	
353T	375	529	G1	35	
35-8762	357	70	A8	3	
35-8762GLD	357	70	A8	3	
35-8764	357	77	A8	3	
35-8764GLD	357	77	A8	3	
359T	375	530	G1	36	
35CB5001A01SP	360	42	P1	1	

Catalog Number	Page Number	List Price	Mult Sym.	Ship Wgt ⁽¹⁾	Type Code
35EP1506A01SP	361	245	A8	8	
36-1037	357	137	A8	8	
36-1037GLD	357	137	A8	7	
36-1206A	357	176	A8	13	
36-1206A-GLD	357	176	A8	13	
36-1206B	357	186	A8	14	
36-1206B-GLD	357	186	A8	14	
36-1749	357	173	A8	12	
36-1749GLD	357	173	A8	12	
36-3301	357	99	A8	5	
36-3301FD	357	198	A8	12	
36-3301FDA	357	198	A8	12	
36-3301GLD	357	99	A8	5	
36-3303FD	357	158	A8	8	
36-3303FDA	357	158	A8	8	
36-3403	357	116	A8	5	
36-3403GLD	357	116	A8	5	
36-486	357	194	A8	8	
36-486GLD	357	194	A8	8	
36CB5001A01SP	360	45	P1	1	
36CB5001A06SP	360	50	P1	2	
36CB5001A07SP	360	70	P1	2	
36EP1304A62SP	361	275	A8	15	
37-1302	357	292	A8	18	
37-1302GLD	357	292	A8	18	
37-1304	357	192	A8	12	
37-1304GLD	357	192	A8	12	
37-1402	357	274	A8	18	
37-1402GLD	357	274	A8	18	
37-1404	357	254	A8	14	
37-1404GLD	357	254	A8	14	
37-3301FD	357	221	A8	12	
37CB5002A06SP	360	50	P1	3	
37CB5002A07SP	360	45	P1	4	
380T	375	588	G1	42	
380WCT	375	1355	G1	47	
39-1403	358	411	A8	21	
39-1403GLD	358	411	A8	21	
39-3400	358	256	A8	19	
3AFE64532871	238, 244, 249, 264	275	ES		
3AUA0000041141	244, 249	385	ES		
400-5001	359	5722	P1	173	
40-1400	358	417	A8	30	
40-1400GLD	358	417	A8	30	
40-1401	358	469	A8	40	
40-1401GLD	358	469	A8	40	
407B	371	1024	G1	60	
409B	371	983	G1	59	
410B	371	1007	G1	61	
412B	371	983	G1	62	

Catalog Number	Page Number	List Price	Mult Sym.	Ship Wgt ⁽¹⁾	Type Code
413336-1R	278	1689	A8	7	
413336-2R	278	1689	A8	9	
417077-102	210, 279	1642	A8	6	
417077-129	211	503	E8		
417077-130	211	591	E8		
417077-131	211	503	E8		
417077-132	211	591	E8		
417077-133	209	1442	E8	5	
417077-136	209	1442	E8	4	
417077-141	211	1142	E8		
417077-143	211	897	E8		
417077-144	211	897	E8		
417077-145	211	1753	E8		
417077-153	209	1598	E8	9	
417077-156	209	2060	E8	9	
417077-165	209	1442	E8	15	
417077-167	209	1598	E8	20	
417077-168	209	2060	E8	10	
417077-170	209	1442	E8	10	
417077-171	209	1442	E8	5	
417077-173	209	2060	E8	10	
417077-176	209	2060	E8	15	
417077-177	209	2060	E8	35	
417077-179	209	2060	E8	35	
417077-182	209	2060	E8	10	
417077-184	211	503	E8		
417077-185	211	503	E8		
417077-186	211	591	E8		
417077-187	211	870	E8		
417077-188	209	1442	E8	10	
417077-189	209	1442	E8	10	
417077-191	209	2060	E8	10	
417077-193	209	2060	E8	10	
417077-201	211	1730	E8		
417077-202	211	632	E8		
417077-208TL	209	1442	E8	6	
417077-212TL	209	1442	E8	6	
417077-218TL	209	1442	E8	6	
417077-242TL	209	1442	E8	6	
417077-51	279	1491	A8		
417077-57	210, 279	911	A8	2	
417077-58	279	911	A8		
417077-59	210, 279	911	A8	4	
417077-65	210, 279	1165	A8	7	
417077-74	279	2123	A8		
417077-75	211, 279	2324	A8		
417708-130	209	1442	E8	5	
417708-140	209	1442	E8	10	
417708-142	209	2060	E8	15	
417708-155	278	1689	A8	9	

Baldor
Mod Express

ABB
Mod Express

ABB ATEX
Mod Express

Product
Index

Baldor
Sales Offices

⁽¹⁾ Shipping weight is approximate.

Baldor
Mod Express

ABB
Mod Express

ABB ATEX
Mod Express

Product
Index

Baldor
Sales Offices

Catalog Number	Page Number	List Price	Mult Sym.	Ship Wgt ⁽¹⁾	Type Code
417708-156	278	1689	A8	8	
417708-157	278	1091	A8	1	
417708-201	210	240	E8		
417708-202	210	240	E8		
417708-203	210	240	E8		
417708-21	278	1689	A8	7	
417708-22	278	1689	A8	9	
417708-26	278	1689	A8	7	
417708-27	278	1689	A8	9	
417708-40	278	1091	A8	1	
417708-41	278	1091	A8	2	
417708-42	278	1091	A8	1	
417708-90	209	2060	E8	13	
417708-91	209	2060	E8	15	
417709-17	278	4245	A8	6	
417709-21	278	4245	A8	19	
417709-58	278	4245	A8	20	
417709-59	278	4245	A8	23	
417709-60	278	4245	A8	23	
417709-61	278	4245	A8	29	
417709-65	278	4245	A8	6	
417709-66	278	4245	A8	9	
417709-67	278	4245	A8	15	
417709-68	278	4245	A8	18	
419914-10A	210	39	E8	39	
419914-10B	210	27	E8	27	
419914-10D	210	48	E8	48	
419914-10G	210	55	E8	55	
419914-10K	210	80	E8	80	
419914-10L	210	52	E8	52	
419914-10M	210	28	E8	28	
419914-10N	210	58	E8	58	
419914-10P	210	56	E8	56	
419914-10R	210	80	E8	80	
419914-10S	210	90	E8	90	
419914-11C	210	105	E8	105	
419914-11D	210	74	E8	74	
419914-11E	210	105	E8	105	
419914-11F	210	132	E8	132	
419914-11G	210	141	E8	141	
419914-11H	210	140	E8	140	
419914-11J	210	150	E8	150	
419914-11K	210	160	E8	160	
419914-11L	210	165	E8	165	
419914-11M	210	105	E8	105	
419914-11N	210	124	E8	124	
419914-11P	210	90	E8	90	
419914-11R	210	90	E8	90	
419914-1A	279	545	A8		
419914-1B	279	634	A8		

Catalog Number	Page Number	List Price	Mult Sym.	Ship Wgt ⁽¹⁾	Type Code
419914-1C	279	1223	A8		
419914-1D	279	1606	A8		
419914-1E	279	2166	A8		
419914-1P	279	634	A8		
419914-1R	279	634	A8		
419914-1S	279	1223	A8		
419914-1T	279	1223	A8		
419914-1U	279	1606	A8		
419914-1W	279	2166	A8		
419914-1X	279	2166	A8		
419914-9A	210	13	E8	13	
419914-9B	210	14	E8	14	
419914-9C	210	15	E8	15	
419914-9D	210	17	E8	17	
419947-29	279	1491	A8		
419947-30	279	1823	A8		
419947-31	211	1747	E8		
419947-32	279	2123	A8		
419947-33	211	1944	E8		
419947-34	279	2123	A8		
419947-40	211	1747	E8		
419947-41	211	2123	A8		
419947-42	211	2324	A8		
42-1300	358	750	A8	36	
42-1300GLD	358	750	A8	36	
42-1400	358	730	A8	30	
42-1400GLD	358	730	A8	30	
42384-26BE	279	278	A8		
42384-26BF	279	545	A8		
42384-26BH	279	545	A8		
42384-26D	279	319	A8		
44-1402	358	1086	A8	120	
44-1402GLD	358	1086	A8	120	
44-1403	358	1086	A8	120	
44-1403A	358	844	A8	40	
44-1403A-GLD	358	844	A8	40	
44-1403GLD	358	1086	A8	120	
600E	367	343	G1	30	
600RE	372	343	G1	29	
602E	367	343	G1	30	
602E-MT	371	867	G1	47	
602RE	372	343	G1	29	
612E	367	524	G1	44	
612R	372	388	G1	30	
623E	367	555	G1	47	
623ED	367	721	G1	61	
632E	367	555	G1	47	
662E	367	524	G1	43	
662R	372	388	G1	29	
673E	367	555	G1	45	

⁽¹⁾ Shipping weight is approximate.

Catalog Number	Page Number	List Price	Mult Sym.	Ship Wgt ⁽¹⁾	Type Code
712E	367	660	G1	68	
712R	372	563	G1	45	
712RE	372	675	G1	68	
7306D	367	899	G1	84	
7307D	367	899	G1	84	
7309D	367	899	G1	87	
7312D	367	1087	G1	90	
762E	367	660	G1	68	
762R	372	563	G1	43	
762RE	372	675	G1	66	
8100W	368	1081	G1	99	
8100WD	368	1234	G1	110	
8102W	368	1047	G1	98	
8102WD	368	1215	G1	111	
8107W	368	1081	G1	99	
8107WD	368	1234	G1	111	
8123W	368	1047	G1	99	
8123WD	368	1215	G1	112	
8125W	368	1047	G1	99	
812RE	372	1022	G1	96	
8250W	368	1081	G1	97	
8252W	368	1047	G1	95	
862RE	372	1022	G1	95	
A103	374	57	A8		
A65	374	31	A8		
A82	374	38	A8		
AB248	373	32	A8	1	
AC8-FLNGMT-R5	264	359	EG		
AC8-FLNGMT-R6	264	416	EG		
ACB530-PC-316A-4	254	23686	EH		
ACB530-PC-316A-4+B055	256	31446	EH		
ACB530-PC-316A-4+B055+L502	263	33815	EH		
ACB530-PC-316A-4+L502	261	26055	EH		
ACB530-PC-368A-4	254	36417	EH		
ACB530-PC-368A-4+B055	256	40945	EH		
ACB530-PC-368A-4+B055+L502	263	44587	EH		
ACB530-PC-368A-4+L502	261	40059	EH		
ACB530-PC-414A-4	254	41085	EH		
ACB530-PC-414A-4+B055	256	42813	EH		
ACB530-PC-414A-4+B055+L502	263	46924	EH		
ACB530-PC-414A-4+L502	261	45194	EH		
ACB530-PC-486A-4	254	48313	EH		
ACB530-PC-486A-4+B055	256	49688	EH		
ACB530-PC-486A-4+B055+L502	263	54519	EH		
ACB530-PC-486A-4+L502	261	53144	EH		
ACB530-PC-526A-4+B055	256	57500	EH		
ACB530-PC-526A-4+B055+L502	263	63675	EH		
ACB530-PC-602A-4+B055	256	59159	EH		
ACB530-PC-602A-4+B055+L502	263	65500	EH		
ACB530-PC-645A-4+B055	256	62033	EH		

Catalog Number	Page Number	List Price	Mult Sym.	Ship Wgt ⁽¹⁾	Type Code
ACB530-PC-645A-4+B055+L502	263	68661	EH		
ACB530-U1-011A-6	254	2473	EG		
ACB530-U1-011A-6+B055	256	3577	EG		
ACB530-U1-011A-6+B055+L502	263	4272	EG		
ACB530-U1-011A-6+L502	261	2743	EG		
ACB530-U1-012A-2	253	1100	EG		
ACB530-U1-012A-2+B055	255	1580	EG		
ACB530-U1-012A-2+B055+L502	262	1950	EG		
ACB530-U1-012A-2+L502	260	1470	EG		
ACB530-U1-012A-4	254	1776	EG		
ACB530-U1-012A-4+B055	256	2302	EG		
ACB530-U1-012A-4+B055+L502	263	2695	EG		
ACB530-U1-012A-4+L502	261	2169	EG		
ACB530-U1-015A-4	254	2249	EG		
ACB530-U1-015A-4+B055	256	2811	EG		
ACB530-U1-015A-4+B055+L502	263	3056	EG		
ACB530-U1-015A-4+L502	261	2494	EG		
ACB530-U1-017A-2	253	1300	EG		
ACB530-U1-017A-2+B055	255	1800	EG		
ACB530-U1-017A-2+B055+L502	262	2137	EG		
ACB530-U1-017A-2+L502	260	1637	EG		
ACB530-U1-017A-6	254	2713	EG		
ACB530-U1-017A-6+B055	256	4062	EG		
ACB530-U1-017A-6+B055+L502	263	4890	EG		
ACB530-U1-017A-6+L502	261	3116	EG		
ACB530-U1-022A-6	254	3471	EG		
ACB530-U1-022A-6+B055	256	5378	EG		
ACB530-U1-022A-6+B055+L502	263	6237	EG		
ACB530-U1-022A-6+L502	261	3905	EG		
ACB530-U1-023A-4	254	2466	EG		
ACB530-U1-023A-4+B055	256	3058	EG		
ACB530-U1-023A-4+B055+L502	263	3423	EG		
ACB530-U1-023A-4+L502	261	2831	EG		
ACB530-U1-024A-2	253	1675	EG		
ACB530-U1-024A-2+B055	255	2412	EG		
ACB530-U1-024A-2+B055+L502	262	2631	EG		
ACB530-U1-024A-2+L502	260	1894	EG		
ACB530-U1-027A-6	254	4123	EG		
ACB530-U1-027A-6+B055	256	6211	EG		
ACB530-U1-027A-6+B055+L502	263	7069	EG		
ACB530-U1-027A-6+L502	261	4556	EG		
ACB530-U1-02A7-6	254	1362	EG		
ACB530-U1-02A7-6+B055	256	2235	EG		
ACB530-U1-02A7-6+B055+L502	263	3250	EG		
ACB530-U1-02A7-6+L502	261	1952	EG		
ACB530-U1-031A-2	253	2100	EG		
ACB530-U1-031A-2+B055	255	2852	EG		
ACB530-U1-031A-2+B055+L502	262	3130	EG		
ACB530-U1-031A-2+L502	260	2378	EG		
ACB530-U1-031A-4	254	2761	EG		

⁽¹⁾ Shipping weight is approximate.

Baldor
Mod Express

ABB
Mod Express

ABB ATEX
Mod Express

Product
Index

Baldor
Sales Offices

Catalog Number	Page Number	List Price	Mult Sym.	Ship Wgt ⁽¹⁾	Type Code
ACB530-U1-031A-4+B055	256	3523	EG		
ACB530-U1-031A-4+B055+L502	263	3968	EG		
ACB530-U1-031A-4+L502	261	3206	EG		
ACB530-U1-032A-6	254	5098	EG		
ACB530-U1-032A-6+B055	256	7319	EG		
ACB530-U1-032A-6+B055+L502	263	8394	EG		
ACB530-U1-032A-6+L502	261	5748	EG		
ACB530-U1-038A-4	254	3353	EG		
ACB530-U1-038A-4+B055	256	4713	EG		
ACB530-U1-038A-4+B055+L502	263	5253	EG		
ACB530-U1-038A-4+L502	261	3893	EG		
ACB530-U1-03A9-6	254	1651	EG		
ACB530-U1-03A9-6+B055	256	2540	EG		
ACB530-U1-03A9-6+B055+L502	263	3343	EG		
ACB530-U1-03A9-6+L502	261	2029	EG		
ACB530-U1-041A-6	254	6182	EG		
ACB530-U1-041A-6+B055	256	8491	EG		
ACB530-U1-041A-6+B055+L502	263	9459	EG		
ACB530-U1-041A-6+L502	261	6725	EG		
ACB530-U1-045A-4	254	4142	EG		
ACB530-U1-045A-4+B055	256	5512	EG		
ACB530-U1-045A-4+B055+L502	263	5926	EG		
ACB530-U1-045A-4+L502	261	4556	EG		
ACB530-U1-046A-2	253	2580	EG		
ACB530-U1-046A-2+B055	255	3538	EG		
ACB530-U1-046A-2+B055+L502	262	3867	EG		
ACB530-U1-046A-2+L502	260	2909	EG		
ACB530-U1-04A1-4	254	1216	EG		
ACB530-U1-04A1-4+B055	256	1657	EG		
ACB530-U1-04A1-4+B055+L502	263	2118	EG		
ACB530-U1-04A1-4+L502	261	1677	EG		
ACB530-U1-052A-6	254	7592	EG		
ACB530-U1-052A-6+B055	256	10015	EG		
ACB530-U1-052A-6+B055+L502	263	11308	EG		
ACB530-U1-052A-6+L502	261	8460	EG		
ACB530-U1-059A-2	253	3287	EG		
ACB530-U1-059A-2+B055	255	4422	EG		
ACB530-U1-059A-2+B055+L502	262	4691	EG		
ACB530-U1-059A-2+L502	260	3556	EG		
ACB530-U1-059A-4	254	4930	EG		
ACB530-U1-059A-4+B055	256	6296	EG		
ACB530-U1-059A-4+B055+L502	263	6789	EG		
ACB530-U1-059A-4+L502	261	5423	EG		
ACB530-U1-062A-6	254	9111	EG		
ACB530-U1-062A-6+B055	256	11692	EG		
ACB530-U1-062A-6+B055+L502	263	12984	EG		
ACB530-U1-062A-6+L502	261	9978	EG		
ACB530-U1-06A1-6	254	1801	EG		
ACB530-U1-06A1-6+B055	256	2780	EG		
ACB530-U1-06A1-6+B055+L502	263	3519	EG		

Catalog Number	Page Number	List Price	Mult Sym.	Ship Wgt ⁽¹⁾	Type Code
ACB530-U1-06A1-6+L502	261	2115	EG		
ACB530-U1-06A9-4	254	1351	EG		
ACB530-U1-06A9-4+B055	256	1805	EG		
ACB530-U1-06A9-4+B055+L502	263	2196	EG		
ACB530-U1-06A9-4+L502	261	1742	EG		
ACB530-U1-072A-4	254	5719	EG		
ACB530-U1-072A-4+B055	256	7742	EG		
ACB530-U1-072A-4+B055+L502	263	8664	EG		
ACB530-U1-072A-4+L502	261	6641	EG		
ACB530-U1-075A-2	253	4136	EG		
ACB530-U1-075A-2+B055	255	5410	EG		
ACB530-U1-075A-2+B055+L502	262	5811	EG		
ACB530-U1-075A-2+L502	260	4537	EG		
ACB530-U1-077A-6	254	10195	EG		
ACB530-U1-077A-6+B055	256	12862	EG		
ACB530-U1-077A-6+B055+L502	263	14426	EG		
ACB530-U1-077A-6+L502	261	11334	EG		
ACB530-U1-078A-4	254	7100	EG		
ACB530-U1-078A-4+B055	256	9071	EG		
ACB530-U1-078A-4+B055+L502	263	10214	EG		
ACB530-U1-078A-4+L502	261	8243	EG		
ACB530-U1-07A5-2	253	1075	EG		
ACB530-U1-07A5-2+B055	255	1205	EG		
ACB530-U1-07A5-2+B055+L502	262	1421	EG		
ACB530-U1-07A5-2+L502	260	1291	EG		
ACB530-U1-088A-2	253	5000	EG		
ACB530-U1-088A-2+B055	255	5972	EG		
ACB530-U1-088A-2+B055+L502	262	6593	EG		
ACB530-U1-088A-2+L502	260	5621	EG		
ACB530-U1-08A8-4	254	1637	EG		
ACB530-U1-08A8-4+B055	256	2135	EG		
ACB530-U1-08A8-4+B055+L502	263	2421	EG		
ACB530-U1-08A8-4+L502	261	1923	EG		
ACB530-U1-097A-4	254	9266	EG		
ACB530-U1-097A-4+B055	256	10343	EG		
ACB530-U1-097A-4+B055+L502	263	10838	EG		
ACB530-U1-097A-4+L502	261	9761	EG		
ACB530-U1-099A-6	254	11822	EG		
ACB530-U1-099A-6+B055	256	15271	EG		
ACB530-U1-099A-6+B055+L502	263	17154	EG		
ACB530-U1-099A-6+L502	261	13280	EG		
ACB530-U1-09A0-6	254	1952	EG		
ACB530-U1-09A0-6+B055	256	3026	EG		
ACB530-U1-09A0-6+B055+L502	263	3885	EG		
ACB530-U1-09A0-6+L502	261	2386	EG		
ACB530-U1-114A-2	253	6114	EG		
ACB530-U1-114A-2+B055	255	6875	EG		
ACB530-U1-114A-2+B055+L502	262	7772	EG		
ACB530-U1-114A-2+L502	260	7011	EG		
ACB530-U1-125A-4	254	10748	EG		

⁽¹⁾ Shipping weight is approximate.

Catalog Number	Page Number	List Price	Mult Sym.	Ship Wgt ⁽¹⁾	Type Code
ACB530-U1-125A-4+B055	256	12294	EG		
ACB530-U1-125A-4+B055+L502	263	12983	EG		
ACB530-U1-125A-4+L502	261	11437	EG		
ACB530-U1-125A-6	254	15185	EG		
ACB530-U1-125A-6+B055	256	19626	EG		
ACB530-U1-125A-6+B055+L502	263	21015	EG		
ACB530-U1-125A-6+L502	261	16149	EG		
ACB530-U1-143A-2	253	7296	EG		
ACB530-U1-143A-2+B055	255	8618	EG		
ACB530-U1-143A-2+B055+L502	262	9856	EG		
ACB530-U1-143A-2+L502	260	8534	EG		
ACB530-U1-144A-6	254	16269	EG		
ACB530-U1-144A-6+B055	256	20601	EG		
ACB530-U1-144A-6+B055+L502	263	21869	EG		
ACB530-U1-144A-6+L502	261	17112	EG		
ACB530-U1-157A-4	254	12424	EG		
ACB530-U1-157A-4+B055	256	15827	EG		
ACB530-U1-157A-4+B055+L502	263	16615	EG		
ACB530-U1-157A-4+L502	261	13212	EG		
ACB530-U1-178A-2	253	9268	EG		
ACB530-U1-178A-2+B055	255	11092	EG		
ACB530-U1-178A-2+B055+L502	262	12177	EG		
ACB530-U1-178A-2+L502	260	10353	EG		
ACB530-U1-180A-4	254	13311	EG		
ACB530-U1-180A-4+B055	256	17211	EG		
ACB530-U1-180A-4+B055+L502	263	17900	EG		
ACB530-U1-180A-4+L502	261	14000	EG		
ACB530-U1-221A-2	253	11774	EG		
ACB530-U1-221A-2+B055	255	14216	EG		
ACB530-U1-221A-2+B055+L502	262	15699	EG		
ACB530-U1-221A-2+L502	260	13257	EG		
ACB530-U1-246A-4	254	17164	EG		
ACB530-U1-246A-4+B055	256	21947	EG		
ACB530-U1-246A-4+B055+L502	263	23063	EG		
ACB530-U1-246A-4+L502	261	18880	EG		
ACB530-U1-248A-2	253	12362	EG		
ACB530-U1-248A-2+B055	255	15704	EG		
ACB530-U1-248A-2+B055+L502	262	17187	EG		
ACB530-U1-248A-2+L502	260	13845	EG		
ACS/H-CP-EXT	238, 243, 248, 264	55	ES		
ACS/H-CP-EXT-IP66	238, 243, 248, 264	63	ES		
ACS150-01U-02A4-2	228	216	E0		
ACS150-01U-04A7-2	228	270	E0		
ACS150-01U-06A7-2	228	311	E0		
ACS150-01U-07A5-2	228	352	E0		
ACS150-01U-09A8-2	228	417	E0		
ACS150-03U-01A2-4	228	305	E0		
ACS150-03U-01A9-4	228	316	E0		
ACS150-03U-02A4-2	228	216	E0		
ACS150-03U-02A4-4	228	328	E0		

Catalog Number	Page Number	List Price	Mult Sym.	Ship Wgt ⁽¹⁾	Type Code
ACS150-03U-03A3-4	228	362	E0		
ACS150-03U-03A5-2	228	243	E0		
ACS150-03U-04A1-4	228	396	E0		
ACS150-03U-04A7-2	228	270	E0		
ACS150-03U-05A6-4	228	441	E0		
ACS150-03U-06A7-2	228	311	E0		
ACS150-03U-07A5-2	228	352	E0		
ACS150-03U-08A8-4	228	564	E0		
ACS150-03U-09A8-2	228	417	E0		
ACS250-01U-02A3-1	231	408	EP		
ACS250-01U-02A3-1+B063	234	757	EP		
ACS250-01U-02A3-2+B063	234	723	EP		
ACS250-01U-04A3-1	231	450	EP		
ACS250-01U-04A3-1+B063	234	836	EP		
ACS250-01U-04A3-2+B063	234	795	EP		
ACS250-01U-05A8-1	231	552	EP		
ACS250-01U-05A8-1+B063	234	1018	EP		
ACS250-01U-07A0-2+B063	234	853	EP		
ACS250-01U-10A5-2+B063	234	982	EP		
ACS250-03U-02A1-6	231	602	EP		
ACS250-03U-02A1-6+B063	234	1285	EP		
ACS250-03U-02A2-4+B063	234	777	EP		
ACS250-03U-02A3-2+B063	234	660	EP		
ACS250-03U-03A1-6	231	782	EP		
ACS250-03U-03A1-6+B063	234	1484	EP		
ACS250-03U-04A1-4+B063	234	911	EP		
ACS250-03U-04A1-6	231	869	EP		
ACS250-03U-04A1-6+B063	234	1697	EP		
ACS250-03U-04A3-2+B063	234	717	EP		
ACS250-03U-05A8-4+B063	234	1027	EP		
ACS250-03U-06A5-6	231	1043	EP		
ACS250-03U-06A5-6+B063	234	1946	EP		
ACS250-03U-07A0-2+B063	234	824	EP		
ACS250-03U-09A0-6	231	1459	EP		
ACS250-03U-09A0-6+B063	234	2455	EP		
ACS250-03U-09A5-4+B063	234	1275	EP		
ACS250-03U-10A5-2+B063	234	950	EP		
ACS250-03U-12A0-6	231	1751	EP		
ACS250-03U-12A0-6+B063	234	2925	EP		
ACS250-03U-14A0-4+B063	234	1646	EP		
ACS250-03U-17A0-6	231	2291	EP		
ACS250-03U-17A0-6+B063	234	4297	EP		
ACS250-03U-18A0-2+B063	234	1353	EP		
ACS250-03U-18A0-4+B063	234	1952	EP		
ACS250-03U-22A0-6	231	2917	EP		
ACS310-01U-02A4-2	237	258	EQ		
ACS310-01U-04A7-2	237	325	EQ		
ACS310-01U-06A7-2	237	385	EQ		
ACS310-01U-07A5-2	237	420	EQ		
ACS310-01U-09A8-2	237	475	EQ		

⁽¹⁾ Shipping weight is approximate.

Baldor
Mod Express

ABB
Mod Express

ABB ATEX
Mod Express

Product
Index

Baldor
Sales Offices

Catalog Number	Page Number	List Price	Mult Sym.	Ship Wgt ⁽¹⁾	Type Code
ACS310-03U-01A3-4	237	342	EQ		
ACS310-03U-02A1-4	237	359	EQ		
ACS310-03U-02A6-2	237	215	EQ		
ACS310-03U-02A6-4	237	376	EQ		
ACS310-03U-03A6-4	237	400	EQ		
ACS310-03U-03A9-2	237	239	EQ		
ACS310-03U-04A5-4	237	415	EQ		
ACS310-03U-05A2-2	237	274	EQ		
ACS310-03U-06A2-4	237	507	EQ		
ACS310-03U-07A4-2	237	303	EQ		
ACS310-03U-08A3-2	237	346	EQ		
ACS310-03U-09A7-4	237	606	EQ		
ACS310-03U-10A8-2	237	415	EQ		
ACS310-03U-13A8-4	237	725	EQ		
ACS310-03U-17A2-4	237	867	EQ		
ACS310-03U-19A4-2	237	545	EQ		
ACS310-03U-25A4-4	237	1065	EQ		
ACS310-03U-26A8-2	237	739	EQ		
ACS310-03U-34A1-2	237	957	EQ		
ACS310-03U-34A1-4	237	1402	EQ		
ACS310-03U-41A8-4	237	1709	EQ		
ACS310-03U-48A4-4	237	2055	EQ		
ACS310-03U-50A8-2	237	1235	EQ		
ACS310-DEMOCASE	238	2800	ES		
ACS355-01U-02A4-2	242	319	ER		
ACS355-01U-04A7-2	242	362	ER		
ACS355-01U-06A7-2	242	405	ER		
ACS355-01U-07A5-2	242	448	ER		
ACS355-01U-09A8-2	242	540	ER		
ACS355-03U-01A2-4	242	380	ER		
ACS355-03U-01A2-4+B063	247	898	ER		
ACS355-03U-01A9-4	242	419	ER		
ACS355-03U-01A9-4+B063	247	916	ER		
ACS355-03U-02A4-2	242	319	ER		
ACS355-03U-02A4-2+B063	247	990	ER		
ACS355-03U-02A4-4	242	458	ER		
ACS355-03U-02A4-4+B063	247	982	ER		
ACS355-03U-03A3-4	242	494	ER		
ACS355-03U-03A3-4+B063	247	1047	ER		
ACS355-03U-03A5-2	242	341	ER		
ACS355-03U-03A5-2+B063	247	1120	ER		
ACS355-03U-04A1-4	242	529	ER		
ACS355-03U-04A1-4+B063	247	1125	ER		
ACS355-03U-04A7-2	242	362	ER		
ACS355-03U-04A7-2+B063	247	1193	ER		
ACS355-03U-05A6-4	242	641	ER		
ACS355-03U-05A6-4+B063	247	1219	ER		
ACS355-03U-06A7-2	242	405	ER		
ACS355-03U-06A7-2+B063	247	1259	ER		
ACS355-03U-06A7-2+B063 1	247	1259	ER		

Catalog Number	Page Number	List Price	Mult Sym.	Ship Wgt ⁽¹⁾	Type Code
ACS355-03U-07A5-2	242	448	ER		
ACS355-03U-07A5-2+B063	247	1342	ER		
ACS355-03U-08A8-4	242	761	ER		
ACS355-03U-08A8-4+B063	247	1475	ER		
ACS355-03U-09A8-2	242	540	ER		
ACS355-03U-09A8-2+B063	247	1460	ER		
ACS355-03U-09A8-2+B063 1	247	1460	ER		
ACS355-03U-12A5-4	242	935	ER		
ACS355-03U-12A5-4+B063	247	1849	ER		
ACS355-03U-15A6-4	242	1154	ER		
ACS355-03U-15A6-4+B063	247	2253	ER		
ACS355-03U-17A6-2	242	669	ER		
ACS355-03U-17A6-2+B063	247	1927	ER		
ACS355-03U-17A6-2+B063 1	247	1927	ER		
ACS355-03U-23A1-4	242	1475	ER		
ACS355-03U-24A4-2	242	873	ER		
ACS355-03U-31A0-2	242	1152	ER		
ACS355-03U-31A0-4	242	1800	ER		
ACS355-03U-38A0-4	242	2142	ER		
ACS355-03U-44A0-4	242	2602	ER		
ACS355-03U-46A2-2	242	1523	ER		
ACS355-03U-46A8-2 1	242	1523	ER		
ACS55-01E-01A4-1	225	211	EN		
ACS55-01E-01A4-2	225	211	EN		
ACS55-01E-02A2-1	225	230	EN		
ACS55-01E-02A2-2	225	230	EN		
ACS55-01E-04A3-2	225	266	EN		
ACS55-01E-07A6-2	225	338	EN		
ACS55-01E-09A8-2	225	402	EN		
ACS55-01N-01A4-1	225	156	EN		
ACS55-01N-01A4-2	225	156	EN		
ACS55-01N-02A2-1	225	175	EN		
ACS55-01N-02A2-2	225	175	EN		
ACS55-01N-04A3-2	225	212	EN		
ACS55-01N-07A6-2	225	265	EN		
ACS55-01N-09A8-2	225	307	EN		
ACS55-POT	226	20	ES		
ACS-CP-A	238, 243, 248	150	ES		
ACS-CP-C	238, 243	75	ES		
AEM2237-4	169	3090	L1	270	0932M
AEM2238-4	169	3736	L1	270	0932M
AEM2333-4	169	5191	L1	312	0942M
AEM2334-4	169	6258	L1	420	1046M
AEM3683-4	169	1333	L1	89	0620M
AEM3686-4	169	1431	L1	91	0626M
AEM3689-4	169	1524	L1	95	0628M
AEM3783-4	169	1759	L1	155	0729M
AEM3787-4	169	2303	L1	166	0728M
AEM4103-4	169	7977	L1	560	1052M
AEM4104-4	169	9013	L1	559	1250M

⁽¹⁾ Shipping weight is approximate.

Catalog Number	Page Number	List Price	Mult Sym.	Ship Wgt ⁽¹⁾	Type Code
AEM4307-4	169	10709	L1	874	A36050M
AEM4311-4	169	12897	L1	915	A36056M
AEM4314-4	169	15759	L1	1294	A40064M
AFL3520A	160	399	K	29	3420L
AFL3521A	160	470	K	39	3524L
AFL3522A	160	651	L1	43	3528L
AFL3523A	160	795	L1	51	3535L
AFL3524A	160	829	L1	52	3535LC
AFL3525A	160	608	K	42	3528L
AFM3528	160	404	K	24	3413M
AFM3529	160	439	K	22	3416M
AFM3530	160	507	L1	30	3424M
AFM3532	160	672	L1	45	3528M
AIMA-01	297	730	EM		
ANFL3501M	159	522	K	24	3414L
ANFL3504M	159	586	K	28	3421L
ANFL3507M	159	683	K	34	3428LC
ANFL3510M	159	843	K	41	3524L
ANFL3514M	159	1252	K	49	3532LC
AOM25904T	148	3194	L1	208	3936M
AOM3454	148	337	K	18	3410M
AOM3455	148	529	K	19	3411M
AOM3458	148	376	K	18	3410M
AOM3535	148	557	K	22	3414M
AOM3538	148	442	K	25	3413M
AOM3539	148	600	K	24	3418M
AOM3542	148	476	K	23	3416M
AOM3543	148	617	K	31	3428M
AOM3546T	148	495	L1	33	3428M
AOM3554T	148	515	L1	34	3520M
AOM3556T	148	626	L1	35	3520M
AOM3558T	148	546	L1	38	3523M
AOM3607T	148	716	L1	50	3617M
AOM3611T	148	640	L1	59	3622M
AOM3614T	148	768	L1	63	3627M
AOM3615T	148	740	L1	71	3634M
AOM3617T	148	1212	L1	62	3623M
AOM3702T	148	1839	L1	97	3724M
AOM3704T	148	962	L1	92	3720M
AOM3705T	148	2010	L1	113	3744M
AOM3708T	148	1377	L1	115	3732M
AOM3710T	148	949	L1	106	3728M
AOM3714T	148	1150	L1	126	3740M
AP231001	268	294	DS	4	2308P
AP232001	268	322	DS	5	2314P
AP233001	268	346	DS	5	2318P
AP233021	268	346	DS	5	2318P
AP7401	268	484	DS	12	2424P
AP7402	268	484	DS	12	2424P
AP7421	268	484	DS	12	2424P

Catalog Number	Page Number	List Price	Mult Sym.	Ship Wgt ⁽¹⁾	Type Code
AP7422	268	484	DS	12	2424P
ARB-1	373	152	A8		
ARB-2	373	231	A8		
B102	374	105	A8		
B103	374	105	A8		
B125	369, 374	238	A8		
B126	369, 374	240	A8		
B143T	364, 365	137	A8	1	
B145T	364, 365	137	A8	1	
B147	369, 374	449	A8		
B148	369, 374	449	A8	108	
B182T	364, 365	145	A8	1	
B184T	364, 365	145	A8	1	
B19H71	322, 337, 363	82	A8		
B213T	364, 365	168	A8	1	
B215T	364, 365	168	A8	1	
B254T	364, 365	276	A8	2	
B256T	364, 365	276	A8	2	
B284T	364, 365	314	A8	2	
B286T	364, 365	314	A8	2	
B324T	364, 365	485	A8	2	
B326T	364, 365	485	A8	2	
B364T	364, 365	604	A8	2	
B365T	364, 365	604	A8	2	
B404T	364, 365	898	A8	2	
B405T	364, 365	898	A8	2	
B444T	364, 365	1097	A8	2	
B445T	364, 365	1097	A8	2	
B447T	364, 365	1293	A8	2	
B449T	364, 365	1293	A8	2	
B48T	364, 365	107	A8	1	
B5000RLS (1)	364	1948	A8	2	
B56T	364, 365	107	A8	1	
B66	374	44	A8		
B67	374	44	A8		
B73	374	60	A8		
B74	374	60	A8		
B80	374	71	A8		
B81	374	71	A8		
B92	328, 363	49	A8		
B93	328, 363	75	A8		
B94	363	84	A8		
BC138	286, 291	218	E9	1	
BC139	286, 291	218	E9	1	
BC140	286, 291	369	E9	3	
BC140-FBR	286, 291	510	E9	3	
BC141	287, 292	202	E9	1	
BC141-SIH	287	477	E9	2	
BC142	287, 292	202	E9	2	
BC142-5	287, 292	225	E9	1	

⁽¹⁾ Shipping weight is approximate.

Baldor
Mod Express

ABB
Mod Express

ABB ATEX
Mod Express

Product
Index

Baldor
Sales Offices

Catalog Number	Page Number	List Price	Mult Sym.	Ship Wgt ⁽¹⁾	Type Code
BC142-6	287, 292	224	E9	1	
BC142-6-SIH	287	499	E9	1	
BC142-SIH	287	499	E9	2	
BC143	286, 290	72	E9	2	
BC144	286	124	E9	1	
BC145	286, 289	211	E9	1	
BC147	286	30	E9	1	
BC148	286	13	E9	1	
BC149	286	15	E9	1	
BC152	286	193	E9	1	
BC153	289	223	E9	1	
BC154	289, 291	467	E9	5	
BC154-P	289	467	E9	5	
BC154-R	289	616	E9	5	
BC154-SI	289	751	E9	5	
BC155	287, 292	660	E9	5	
BC156	289	145	E9	1	
BC157	289	27	E9	1	
BC158	289	60	E9	1	
BC159	289	32	E9	1	
BC160	289, 291	537	E9	3	
BC200	287, 290, 292	704	E9	4	
BC201	287, 290, 292	836	E9	1	
BC203	287, 290, 292	1052	E9	10	
BC204	287, 290, 292	377	E9	3	
BC204-BPSI	287, 290	487	E9	3	
BC218	286, 290	36	E9	1	
BC24-LF	286	75	E9	1	
BC254	289, 290, 291	673	E9	5	
BC254-FBR	289, 290, 291	706	E9	5	
BC354	289, 291	723	E9	5	
BCWD140	289, 291	625	E9	6	
BKP2400	363	60	A8	1	
BL3507	179	1313	K	42	3428LC
BL3510	179	1390	K	52	3524L
BL3516	177	874	K	27	3414L
BL3517	177	921	K	27	3414L
BL3518	177	1000	K	32	3421L
BLWL05-L	221	814	E8	7	
BLWL06-L	221	917	E8	8	
BLWL07-L	221	982	E8	21	
BLWL09-L	221	1068	E8	28	
BLWL10-L	221	1098	E8	35	
BLWL12-L	221	1134	E8	46	
BLWL14-L	221	1218	E8	55	
BLWM07-F	221	982	E8	20	
BLWM09-F	221	1068	E8	30	
BLWM10-F	221	1098	E8	35	
BLWM12-F	221	1198	E8	46	
BLWM14-F	221	1219	E8	55	

Catalog Number	Page Number	List Price	Mult Sym.	Ship Wgt ⁽¹⁾	Type Code
BLWM16-F	221	1704	E8	70	
BLWM18-F	221	2387	E8	87	
BM2334T	179	6885	L1	273	0760M
BM2353T	179	5010	L1	249	0748M
BM3108	180	908	K	27	3416M
BM3112	180	1057	K	31	3420M
BM3116	180	1150	K	33	3424M
BM3538	177	964	K	31	3420M
BM3538-S	176	1153	K	42	3511M
BM3539	177	1328	K	35	3418M
BM3542	177	1128	K	31	3420M
BM3542-S	176	1198	K	48	3514M
BM3543	177	1394	K	39	3428M
BM3546	177	1309	K	38	3426M
BM3546-S	176	1242	K	47	3516M
BM3546T	177	1309	L1	39	3426M
BM3546T-S	176	1242	L1	51	3516M
BM3554	179	1469	K	47	3521M
BM3554T	179	1469	L1	47	3521M
BM3554T-S	176	1288	L1	56	3521M
BM3556T	179	1864	L1	46	3520M
BM3558	179	1505	K	49	3523M
BM3558-D	174	1387	K	45	3524M
BM3558T	179	1505	L1	51	3523M
BM3568	177	839	K	26	3413M
BM3569	177	887	K	27	3416M
BM3606	179	1940	L1	50	3520M
BM3609	179	2019	L1	53	3523M
BM3611T	179	2040	L1	67	3622M
BM3614T	179	2494	L1	77	3627M
BM3615T	179	2531	L1	90	3634M
BM3707	179	3730	L1	91	3634M
BM3714T	179	4139	L1	154	3740M
BM3730T	179	3087	L1	155	3731M
BNM3538-D	174	926	K	43	3512M
BNM3542-D	174	1259	K	47	3514M
BR0006	288	11	E9		
BR0010SP	288	11	E9		
BR0015SP	288	11	E9		
BR0025	288	11	E9		
BR0035	288	11	E9		
BR0050	288	11	E9		
BR0100	288	11	E9		
BR0101	288	11	E9		
BR0180	288	11	E9		
BR0250	288	11	E9		
BR0251	288	11	E9		
BR0350	288	11	E9		
BR0510	288	11	E9		
BR1000	288	11	E9		

⁽¹⁾ Shipping weight is approximate.

Catalog Number	Page Number	List Price	Mult Sym.	Ship Wgt ⁽¹⁾	Type Code
BTG1000	284	559	DS	7	2318P
BTG100XPS	284	1021	N5	6	
BTG50XPS	284	1021	N5	2	
BTG60XPS-M	284	1021	N5	2	
BTGWD100XPS	284	1214	N5	2	
BTGWD50XPS	284	1214	N5	2	
BU100H012	356	139	A8		
BU100H014	356	139	A8		
BU100H015	356	158	A8		
BU107H015	356	170	A8		
BU107H100	356	170	A8		
BU107H102	356	170	A8		
BU107H103	356	170	A8		
BU107H104	356	170	A8		
BU107H105	356	170	A8		
BU115H100	356	234	A8		
BU115H107	356	234	A8		
BU115H108	356	234	A8		
BU115H110	356	234	A8		
BU115H111	356	234	A8		
C121	370	217	A8	3	
C61	370	217	A8	5	
CB1814T	366	115	A8	2	
CB2118T	366	162	A8	2	
CB2521T	366	186	A8	6	
CB2825T	366	251	A8	7	
CB3228T	366	346	A8	9	
CB3632T	366	426	A8	12	
CB4036T	366	584	A8	20	
CB5049T	366	1054	A8	164	
CB5744T	62, 366	2458	A8	465	
CB5850M	366	7975	A8	320	
CB5850S	366	7847	A8	250	
CBK003-1	181, 359	670	A8		
CBK006-1	181, 359	986	A8		
CBK006-2	181, 359	986	A8		
CBK010-1	181, 359	1150	A8		
CBK015-1	181, 359	2457	A8		
CBL015ZD-2	219	198	E8	1	
CBL030ZD-2	219	230	E8	1	
CBL046ZD-2	219	263	E8	2	
CBL061ZD-2	219	291	E8	2	
CBL091ZD-2	219	355	E8	3	
CBL152ZD-2	219	477	E8	6	
CBL229ZD-2	219	632	E8	8	
CBL305ZD-2	219	787	E8	8	
CBL379ZD-2	219	943	E8	14	
CBL455ZD-2	219	1023	E8	15	
CBL606ZD-2	219	1407	E8	16	
CBLST2TL	219	400	E8	2	

Catalog Number	Page Number	List Price	Mult Sym.	Ship Wgt ⁽¹⁾	Type Code
CBLTL2ST	219	400	E8	2	
CBM3546T	177	1373	L1	42	3514M
CBM3554T	177	1539	L1	48	3520M
CBM3558T	177	1582	L1	51	3523M
CBM3611T	177	2136	L1	72	3622M
CBM3615T	177	2670	L1	90	3634M
CBM3710T	177	3404	L1	160	3728M
CBM7006	108	3306	K	95	3512M
CBM7010	108	3682	K	93	3514M
CBM7014T	108	4244	L1	95	3520M
CBM7023T	108	5137	L1	137	3628M
CBM7027T	108	7122	L1	215	3726M
CD1803R	274	9906	N2	212	
CD1805R	274	7266	N2	175	
CD2003P-2	281	6453	N2	170	
CD2003R-2	274	11067	N2	198	
CD2005P-2	281	6453	N2	170	
CD2005R-2	274	11067	N2	209	
CD2007P-2	281	7468	N2	222	
CD2007R-2	274	12042	N2	235	
CD2010P-2	281	8834	N2	250	
CD2015P-2	281	10458	N2	408	
CD2015R-BV	276	17153	N2	345	
CD2105R	274	14534	N2	355	
CD3425	273	699	K	23	3413D
CD3433	273	764	K	24	3413D
CD3434	273	764	K	24	3413D
CD3450	273	868	K	29	3420D
CD3451	273	868	K	29	3420D
CD3475	273	1080	K	34	3428D
CD3476	273	1080	K	34	3428D
CD5318	273	1525	K	54	3535D
CD5319	273	1525	K	53	3535D
CD5333	273	1101	K	31	3513D
CD5350	273	1216	K	38	3520D
CD5375	273	1432	K	45	3528D
CD6202	273	2698	L1	98	3646D
CD6203	273	3064	L1	135	3668D
CD6215	273	2281	L1	84	3636D
CD6218	273	2037	L1	65	3623D
CD6219	273	2037	L1	66	3623D
CD7502	273	4734	L1	105	3646D
CD7503	273	5035	L1	137	3668D
CDD1803R	274	6040	N2	160	
CDM3537	58	630	SD	26	
CDM3538	58	655	SD	29	
CDM3539	58	850	SD	30	
CDM3542	58	681	SD	33	
CDM3543	58	862	SD	38	
CDMG2310	282	10190	N2	250	

⁽¹⁾ Shipping weight is approximate.

Baldor
Mod Express

ABB
Mod Express

ABB ATEX
Mod Express

Product
Index

Baldor
Sales Offices

Catalog Number	Page Number	List Price	Mult Sym.	Ship Wgt ⁽¹⁾	Type Code
CDMG2315	282	16684	N2	250	
CDMG2320	282	18625	N2	613	
CDMG2325	282	20265	N2	886	
CDMG2333	282	25423	N2	880	
CDP3306	268	695	K	23	3320P
CDP3310	268	695	K	24	3320P
CDP3316	268	733	K	27	3327P
CDP3320	268	733	K	27	3327P
CDP3326	268	820	K	31	3336P
CDP3330	268	820	K	32	3336P
CDP3335	268	733	K	26	3327P
CDP3410-V12	272	747	K	23	3416P
CDP3410-V24	272	708	K	23	3416P
CDP3420-V12	272	820	K	31	3416P
CDP3420-V24	272	782	K	31	3416P
CDP3430-V12	272	850	K	37	3420P
CDP3430-V24	272	810	K	35	3424P
CDP3436	268	996	K	38	3428P
CDP3440	268	996	K	38	3428P
CDP3440-V12	272	1220	K	42	3430P
CDP3440-V24	272	845	K	41	3424P
CDP3443	268	881	K	36	3420P
CDP3445	268	1211	K	44	3435P
CDP3445-V12	272	1765	K	45	3435P
CDP3445-V24	272	1757	K	46	3435P
CDP3450	268	996	K	38	3428P
CDP3455	268	1211	K	44	3435P
CDP3460	268	996	K	38	3428P
CDP3575	268	2231	L1	65	3536P
CDP3580	268	1941	L1	53	3524P
CDP3585	268	2662	L1	74	3548P
CDP3590	268	2231	L1	66	3536P
CDP3603	268	3278	L1	112	3649P
CDP3604	268	3260	L1	112	3649P
CDP3605	268	5564	L1	161	3688P
CDPSWD3406	270	1077	K	28	3413P
CDPSWD3410	270	1077	K	29	3413P
CDPSWD3426	270	1276	K	38	3428P
CDPSWD3430	270	1276	K	37	3428P
CDPSWD3545	270	1886	K	63	3536P
CDPSWD3555	270	1886	K	63	3536P
CDPT3306	269	1984	K	27	3320P
CDPT3310	269	1984	K	27	3320P
CDPT3316	269	2024	K	30	3327P
CDPT3320	269	2024	K	30	3327P
CDPT3326	269	2151	K	36	3336P
CDPT3330	269	2151	K	35	3336P
CDPT3436	269	2275	K	45	3428P
CDPT3440	269	2275	K	44	3428P
CDPT3445	269	2538	K	50	3435P

Catalog Number	Page Number	List Price	Mult Sym.	Ship Wgt ⁽¹⁾	Type Code
CDPT3455	269	2538	K	50	3435P
CDPT3575	269	3523	L1	71	3536P
CDPT3585	269	3953	L1	79	3548P
CDPT3603	269	4598	L1	122	3649P
CDPT3605	269	6878	L1	164	3681P
CDPWD3306	270	900	K	24	3320P
CDPWD3310	270	900	K	25	3320P
CDPWD3316	270	950	K	27	3327P
CDPWD3320	270	950	K	27	3327P
CDPWD3326	270	1068	K	32	3336P
CDPWD3330	270	1068	K	32	3336P
CDPWD3436	270	1289	K	38	3428P
CDPWD3440	270	1289	K	38	3428P
CDPWD3445	270	1572	K	44	3435P
CDPWD3455	270	1572	K	44	3435P
CDPWD3575	270	3008	L1	66	3536P
CDPWD3585	270	3590	L1	75	3548P
CDPWD3603	270	4595	L1	116	3649P
CDPWD3605	270	7783	L1	157	3681P
CDPX3406	269	1907	K	38	3413P
CDPX3410	269	1907	K	38	3413P
CDPX3416	269	2396	K	44	3420P
CDPX3420	269	2396	K	43	3420P
CDPX3426	269	2705	K	46	3428P
CDPX3430	269	2705	K	46	3428P
CDPX3436	269	3344	K	51	3435P
CDPX3440	269	3344	K	51	3435P
CDPX3545	269	4454	K	73	3536P
CDPX3555	269	4454	K	71	3536P
CDPX3575	269	4761	L1	81	3548P
CDX1850	273	2768	L1	100	3623D
CDX1875	273	3666	L1	100	3623D
CDX2001	273	4560	L1	102	3623D
CDX7100	273	3785	L1	102	3623D
CDX7150	273	5012	L1	121	3636D
CDX7200	273	5629	L1	135	3646D
CEBM3546T	177	1598	L1	43	3522M
CEBM3554T	177	1794	L1	48	3526M
CEBM3558T	177	1833	L1	52	3528M
CEBM3558T-D	174	1723	L1	61	3528M
CEBM3611T	177	2397	L1	77	3631M
CEBM3611T-D	174	2184	L1	103	3628M
CEBM3615T	177	2891	L1	101	3642M
CEBM3615T-D	174	2532	L1	121	3642M
CEBM3710T	177	3880	L1	149	3738M
CEBM3710T-D	174	3570	L1	141	3738M
CEBM3714T	177	4835	L1	183	3752M
CEBM3714T-D	174	4364	L1	165	3752M
CEBM7014T	108	4881	L1	99	3524M
CEBM7023T	108	5908	L1	145	3624M

⁽¹⁾ Shipping weight is approximate.

Catalog Number	Page Number	List Price	Mult Sym.	Ship Wgt ⁽¹⁾	Type Code
CEBM7142T	108	6217	L1	240	
CEBM7144T	108	7489	L1	289	
CECP2276T	49	3059	SD	305	0954M
CECP2294T	49	3505	SD	307	0934M
CECP2332T	49	3913	SD	323	0960M
CECP2333T	49	3344	SD	297	0944M
CECP2333T-4	49	3344	SD	296	0944M
CECP2334T	49	3544	SD	339	0952M
CECP2334T-4	49	3544	SD	336	0952M
CECP3581T	49	1099	SD	67	0524M
CECP3582T	49	1211	SD	75	0526M
CECP3584T	49	1121	SD	72	0530M
CECP3587T	49	1166	SD	76	0535M
CECP3660T	49	1436	SD	112	0628M
CECP3661T	49	1505	SD	114	0632M
CECP3663T	49	1744	SD	121	0632M
CECP3664T	49	1422	SD	113	0642M
CECP3665T	49	1529	SD	130	0641M
CECP3667T	49	1407	SD	99	0630M
CECP3764T	49	2072	SD	187	0737M
CECP3768T	49	2098	SD	226	0748M
CECP3769T	49	2345	SD	173	0731M
CECP3770T	49	2000	SD	170	0735M
CECP3771T	49	2482	SD	203	0742M
CECP3774T	49	2354	SD	231	0748M
CECP4100T	49	4856	SD	435	1056M
CECP4102T	49	6384	SD	460	1062M
CECP4103T	49	4684	SD	449	1046M
CECP4103T-4	49	4684	SD	440	1050M
CECP4104T	49	5406	SD	478	1060M
CECP4104T-4	49	5406	SD	475	1060M
CECP4106T	49	3991	SD	333	0944M
CECP4107T	49	4868	SD	396	1048M
CECP4108T	49	5766	SD	454	1048M
CECP4109T	49	7751	SD	571	1240M
CECP4110T	49	6901	SD	628	1260M
CECP4111T	49	6876	SD	626	1260M
CECP4114T	49	8079	SD	639	1256M
CECP4115T	49	7941	SD	656	1272M
CECP4117T	49	8623	SD	640	1264M
CECP4308T	49	10627	SD	908	A36062M
CECP4312T	49	11260	SD	908	A36062M
CECP4400T-4	49	15928	SD	1388	A40064M
CECP4406T-4	49	22059	SD	2138	A4488M
CECP4407T-4	49	26536	SD	2455	A44120M
CECP82276T-4	55	3311	SD	346	0954M
CECP82332T-4	55	4268	SD	362	0960M
CECP82333T-4	55	3465	SD	322	0944M
CECP82333T-5	56	3465	SD	309	0944M
CECP82334T-4	55	3666	SD	356	0960M

Catalog Number	Page Number	List Price	Mult Sym.	Ship Wgt ⁽¹⁾	Type Code
CECP82334T-5	56	3666	SD	357	0960M
CECP82394T-4	55	3549	SD	308	0934M
CECP83580T-4	55	1087	SD	63	0516M
CECP83581T-4	55	1190	SD	71	0524M
CECP83581T-5	56	1190	SD	71	0524M
CECP83582T-4	55	1273	SD	56	0526M
CECP83583T-4	55	1164	SD	71	0524M
CECP83584T-4	55	1212	SD	75	0530M
CECP83586T-4	55	1277	SD	80	0535M
CECP83587T-4	55	1262	SD	78	0535M
CECP83587T-5	56	1262	SD	80	0535M
CECP83660T-4	55	1552	SD	121	0632M
CECP83661T-4	55	1644	SD	120	0632M
CECP83661T-5	56	1644	SD	122	0632M
CECP83663T-4	55	1886	SD	136	0643M
CECP83664T-4	55	1681	SD	113	0642M
CECP83665T-4	55	1653	SD	131	0641M
CECP83665T-5	56	1653	SD	131	0641M
CECP83667T-4	55	1461	SD	99	0630M
CECP83764T-4	55	2246	SD	211	0736M
CECP83768T-4	55	2298	SD	226	0748M
CECP83769T-4	55	2445	SD	179	0731M
CECP83770T-4	55	2094	SD	178	0737M
CECP83770T-5	56	2094	SD	211	0737M
CECP83771T-4	55	2595	SD	225	0742M
CECP83774T-4	55	2531	SD	231	0748M
CECP83774T-5	56	2531	SD	231	0748M
CECP84100T-4	55	5162	SD	420	1054M
CECP84102T-4	55	6756	SD	460	1056M
CECP84103T-4	55	5145	SD	430	1052M
CECP84103T-5	56	5145	SD	444	1052M
CECP84104T-4	55	5892	SD	465	1060M
CECP84104T-5	56	5892	SD	487	1060M
CECP84106T-4	55	4025	SD	328	0954M
CECP84107T-4	55	5490	SD	433	1048M
CECP84108T-4	55	6395	SD	470	1048M
CECP84109T-4	55	8505	SD	587	1256M
CECP84110T-4	55	7637	SD	600	1260M
CECP84110T-5	56	7637	SD	670	1260M
CECP84111T-4	55	7609	SD	660	1264M
CECP84114T-4	55	8831	SD	670	1266M
CECP84115T-4	55	8790	SD	683	1272M
CECP84115T-5	56	8790	SD	663	1272M
CECP84117T-4	55	9622	SD	640	1266M
CECP84308T-4	55	11670	SD	908	A36062M
CECP84310T-4	56	12655	SD	899	A36056M
CECP84312T-4	55	12362	SD	925	A36062M
CECP84313T-4	56	13898	SD	1007	A36068M
CECP84314T-4	56	11434	SD	906	A36062M
CECP84316T-4	56	13119	SD	1050	A36070M

⁽¹⁾ Shipping weight is approximate.

Baldor
Mod Express

ABB
Mod Express

ABB ATEX
Mod Express

Product
Index

Baldor
Sales Offices

Catalog Number	Page Number	List Price	Mult Sym.	Ship Wgt ⁽¹⁾	Type Code
CEDM3545	58	907	SD	39	
CEDM3546	58	1004	SD	38	
CEDM3550	58	992	SD	42	
CEDM3554	58	1086	SD	42	
CEDM3555	58	1061	SD	38	
CEDM3556	58	1122	SD	45	
CEDM3557	58	1299	SD	55	
CEDM3558	58	1133	SD	49	
CEDM3558T	58	1143	SD	52	
CEDM3559T	58	1137	SD	59	
CEDM3611T	58	1262	SD	90	
CEDM3613T	58	1350	SD	97	
CEDM3615T	58	1291	SD	108	
CEDM3704T	58	1943	SD	154	
CEDM3708T	58	2118	SD	181	
CEDM3709T	58	2059	SD	138	
CEDM3710T	58	1920	SD	146	
CEDM3711T	58	2079	SD	138	
CEDM3714T	58	2091	SD	185	
CEL11301	17	440	K	27	3418LC
CEL11303	17	458	K	24	3413LC
CEL11304	17	490	K	32	3424LC
CEL11307	17	578	K	39	3524LC
CEL11310	17	662	K	44	3528LC
CEM2333T	27	2889	LS	269	0944M
CEM2333T-5	28	2889	LS	263	0944M
CEM2334T	27	3379	L1	298	0952M
CEM2334T-5	28	3379	L1	289	0952M
CEM2394T	27	3103	L1	250	0930M
CEM2513T	38	2692	L1	213	3938M
CEM2514T	38	2727	L1	194	3928M
CEM2515T	38	2922	L1	231	3944M
CEM2516T	38	3209	L1	219	3938M
CEM2531T	38	3749	L1	336	4050M
CEM2535T	38	4045	L1	430	4052M
CEM2539T	38	5325	L1	378	4064M
CEM2543T	38	5792	L1	494	4256M
CEM2547T	38	7207	L1	632	4278M
CEM2551T	38	8634	L1	457	4462M
CEM2555T	38	10036	L1	945	4484M
CEM31104	38	479	K	24	3416M
CEM31107	38	510	K	20	3416M
CEM31108	38	525	K	31	3424M
CEM31112	38	575	K	35	3516M
CEM31155	38	600	K	43	3524M
CEM3116T	38	749	L1	35	3519M
CEM3154T	38	781	L1	31	3522M
CEM3157T	38	834	L1	41	3525M
CEM3158T	38	765	L1	46	3530M
CEM3211T	38	930	L1	71	3630M

Catalog Number	Page Number	List Price	Mult Sym.	Ship Wgt ⁽¹⁾	Type Code
CEM3212T	38	866	L1	64	3623M
CEM3218T	38	1012	L1	87	3640M
CEM3219T	38	1331	L1	77	3632M
CEM3311T	38	1543	L1	118	3733M
CEM3312T	38	1602	L1	121	3728M
CEM3313T	38	1834	L1	133	3739M
CEM3314T	38	2207	L1	128	3734M
CEM3538-BG	137	854	K	33	3513M
CEM3542-BG	137	881	K	37	3517M
CEM3545	26	669	K	33	3516M
CEM3546	26	766	K	36	3519M
CEM3546-5	27	766	K	38	3519M
CEM3546-8	27	766	K	38	3519M
CEM3546T	26	776	LS	36	3519M
CEM3546T-5	27	776	LS	37	3519M
CEM3546T-BG	137	907	L1	38	3519M
CEM3550	26	754	K	37	3520M
CEM3550T	26	764	L1	40	3520M
CEM3554	26	848	K	45	3526M
CEM3554-5	27	848	K	41	3526M
CEM3554T	26	858	LS	42	3526M
CEM3554T-5	27	858	LS	42	3526M
CEM3554T-BG	137	935	L1	41	3526M
CEM3555	26	823	K	46	3526M
CEM3555T	26	833	L1	44	3526M
CEM3556	26	874	K	41	3526M
CEM3556T	26	884	L1	43	3526M
CEM3558	26	895	K	46	3528M
CEM3558-5	28	895	K	45	3528M
CEM3558T	26	905	LS	46	3530M
CEM3558T-5	28	905	LS	47	3528M
CEM3558T-BG	137	962	L1	45	3528M
CEM3559	27	899	K	50	3532M
CEM3559T	27	909	L1	52	3532M
CEM3559T-5	28	909	L1	52	3532M
CEM3581T	26	978	L1	54	0519M
CEM3581T-5	27	978	L1	54	0519M
CEM3583T	26	1031	L1	55	0520M
CEM3583T-5	27	1031	L1	54	0520M
CEM3584T	26	1012	L1	60	0526M
CEM3584T-5	27	1012	L1	63	0526M
CEM3586T	26	1079	L1	60	0526M
CEM3586T-5	28	1079	L1	60	0526M
CEM3587T	26	1058	L1	62	0527M
CEM3587T-5	28	1058	L1	61	0527M
CEM3607T	26	1061	L1	77	3632M
CEM3610T	27	954	L1	50	3532M
CEM3610T-5	28	954	L1	58	3532M
CEM3611T	27	962	LS	75	3631M
CEM3611T-5	28	962	LS	75	3631M

Catalog Number	Page Number	List Price	Mult Sym.	Ship Wgt ⁽¹⁾	Type Code
CEM3611T-BG	137	1109	L1	70	3631M
CEM3613T	27	1050	L1	78	3630M
CEM3613T-5	28	1050	L1	78	3630M
CEM3614T	26	1109	L1	97	3644M
CEM3615T	27	991	LS	93	3642M
CEM3615T-5	28	991	LS	93	3642M
CEM3615T-BG	137	1188	L1	93	3642M
CEM3616T	27	1362	L1	101	3646M
CEM3660T	27	1195	L1	90	0620M
CEM3660T-5	28	1195	L1	89	0619M
CEM3661T	27	1226	L1	104	0632M
CEM3661T-5	28	1226	L1	102	0632M
CEM3663T	27	1448	L1	99	0628M
CEM3663T-5	28	1448	L1	99	0628M
CEM3664T	26	1336	L1	115	0642M
CEM3665T	27	1252	L1	114	0641M
CEM3665T-5	28	1252	L1	113	0641M
CEM3704T	27	1488	L1	141	3739M
CEM3708T	27	1663	L1	161	3748M
CEM3709T	27	1604	L1	120	3728M
CEM3710T	27	1465	LS	134	3738M
CEM3710T-5	28	1465	LS	129	3738M
CEM3711T	27	1624	L1	121	3729M
CEM3711T-5	28	1624	L1	123	3729M
CEM3713T	27	2234	L1	182	3752M
CEM3713T-5	28	2234	L1	169	3752M
CEM3714T	27	1636	LS	165	3752M
CEM3714T-5	28	1636	LS	165	3752M
CEM3764T	27	1737	L1	173	0735M
CEM3768T	27	1984	L1	190	0746M
CEM3769T	27	1757	L1	155	0726M
CEM3769T-5	28	1757	L1	179	0724M
CEM3770T	27	1700	L1	170	0735M
CEM3770T-5	28	1700	L1	170	0735M
CEM3771T	27	2026	L1	182	0729M
CEM3771T-5	28	2026	L1	182	0729M
CEM3774T	27	1883	L1	195	0748M
CEM3774T-5	28	1883	L1	231	0748M
CEM4103T	27	4431	L1	400	1046M
CEM4103T-5	28	4431	L1	401	1052M
CEM4104T	27	5112	L1	425	1056M
CEM4104T-5	28	5112	L1	449	1056M
CEM4106T	27	3349	L1	265	0936M
CEM4107T	27	4383	L1	346	0946M
CEM4108T	27	5062	L1	389	1042M
CEM4109T	27	6770	L1	600	1240M
CEM4110T	27	6566	L1	590	1254M
CEM4114T	27	7322	L1	591	1252M
CEM4115T	27	7092	L1	585	1272M
CEM4310T	27	10003	L1	830	A36048M

Catalog Number	Page Number	List Price	Mult Sym.	Ship Wgt ⁽¹⁾	Type Code
CEM4313T	27	11478	L1	905	A36052M
CEM4314T	27	9890	L1	915	A36062M
CEM4316T	27	11400	L1	907	A36068M
CEM4400T	27	14166	L1	1360	A40064M
CEM7013	99	1097	K	32	3418M
CEM7013T-I	104	1376	SD	41	3516M
CEM7013T-I-5	104	1376	SD	41	3516M
CEM7014	99	1342	K	42	3519M
CEM7014T	99	1342	L1	45	3519M
CEM7014T-I	104	1375	SD	51	3519M
CEM7014T-I-5	104	1375	SD	51	3519M
CEM7018T	99	1328	L1	45	3520M
CEM7018T-I	104	1386	SD	47	3520M
CEM7020T-I	104	2264	SD	102	3632M
CEM7026T-I	105	1928	SD	80	3622M
CEM7026T-I-5	105	1928	SD	80	3622M
CEM7032T-I	104	1514	SD	49	3526M
CEM7034	99	1453	K	50	3526M
CEM7034T	99	1453	L1	52	3526M
CEM7034T-I	104	1563	SD	61	3526M
CEM7036T-I	105	2529	SD	175	3739M
CEM7037	100	1539	K	55	3528M
CEM7037T	100	1539	L1	56	3530M
CEM7037T-I	104	1657	SD	66	3530M
CEM7037T-I-5	104	1657	SD	76	3535M
CEM7040T-I	105	3209	SD	180	3748M
CEM7041T-I	104	2323	SD	105	3644M
CEM7042T	100	1866	L1	97	3631M
CEM7042T-I	105	1866	SD	117	3631M
CEM7042T-I-5	105	1866	SD	108	3631M
CEM7044T	100	2256	L1	119	3642M
CEM7044T-I	105	2256	SD	136	3643M
CEM7044T-I-5	105	2256	SD	136	3643M
CEM7045T	100	2887	L1	166	3728M
CEM7045T-I	105	2748	SD	149	3728M
CEM7045T-I-5	105	2748	SD	149	3728M
CEM7047T	100	2646	L1	161	3738M
CEM7047T-I	105	2646	SD	161	3738M
CEM7047T-I-5	105	2646	SD	161	3738M
CEM7048T-I	105	4749	SD	393	0954M
CEM7053T	100	3419	L1	357	0930M
CEM7053T-I	105	4554	SD	349	0934M
CEM7053T-I-5	105	4554	SD	359	0934M
CEM7054T	100	5324	L1	376	0944M
CEM7054T-I	105	5324	SD	383	0944M
CEM7054T-I-5	105	5324	SD	374	0944M
CEM7056T	100	6310	L1	376	0952M
CEM7056T-I	105	6310	SD	409	0952M
CEM7056T-I-5	105	6310	SD	393	0952M
CEM7057T-I	105	8317	SD	552	1042M

⁽¹⁾ Shipping weight is approximate.

Baldor
Mod Express

ABB
Mod Express

ABB ATEX
Mod Express

Product
Index

Baldor
Sales Offices

Catalog Number	Page Number	List Price	Mult Sym.	Ship Wgt ⁽¹⁾	Type Code
CEM7058T	100	7727	L1	647	1050M
CEM7058T-I	105	7727	SD	563	1050M
CEM7058T-I-5	105	7727	SD	559	1050M
CEM7059T	100	5458	L1	369	0936M
CEM7059T-I	105	5458	SD	413	0950M
CEM7059T-I-5	105	5458	SD	409	0950M
CEM7060T	100	8967	L1	552	1056M
CEM7060T-I	105	8967	SD	572	1056M
CEM7060T-I-5	105	8967	SD	573	1056M
CEM7062T	100	11961	L1	699	1254M
CEM7062T-I	105	11961	SD	721	1254M
CEM7062T-I-5	105	11961	SD	720	1254M
CEM7063T	100	7197	L1	512	1038M
CEM7063T-I	105	7199	SD	560	1038M
CEM7063T-I-5	105	7199	SD	560	1048M
CEM7064T	100	13601	L1	746	1272M
CEM7064T-I	105	13601	SD	771	1276M
CEM7064T-I-5	105	13601	SD	800	1276M
CEM7065T-I	105	5436	SD	412	0956M
CEM7066T-I	105	15388	SD	910	A36062M
CEM7067T-I	105	10966	SD	750	1252M
CEM7067T-I-5	105	10966	SD	751	1252M
CEM7068T-I	105	15909	SD	977	A36068M
CEM7071T	100	1325	L1	53	3526M
CEM7071T-I	104	1506	SD	55	3526M
CEM7071T-I-5	104	1506	SD	55	3526M
CEM7072T	100	2167	L1	101	3630M
CEM7072T-I	105	2318	SD	91	3634M
CEM7072T-I-5	105	2318	SD	91	3634M
CEM7073T	100	2544	L1	124	3646M
CEM7075T	100	1643	L1	61	3532M
CEM7079T-I	105	8493	SD	566	1056M
CEM7080T-I	105	11722	SD	766	1264M
CEM7081T-I	105	13368	SD	766	1264M
CEM7081T-I-5	105	13368	SD	766	1264M
CEM7082T-I	105	10850	SD	741	1260M
CEM7083T-I	105	8157	SD	495	1046M
CEM7083T-I-5	105	8157	SD	495	1046M
CEM7084T-I	105	13472	SD	886	A36064M
CEM7090T-I	105	19650	SD	1375	A40072M
CEM7170T	100	3219	L1	249	0748M
CEM7170T-I	105	3219	SD	252	0750M
CEM7170T-I-5	105	3219	SD	252	0750M
CEM7174T	100	3151	L1	235	0729M
CEM7174T-I	105	3172	SD	212	0729M
CEM7174T-I-5	105	3172	SD	212	0729M
CENCP83580T-4	55	1039	SD	61	0520M
CENCP83581T-4	55	1130	SD	64	0524M
CENM3546	26	766	K	38	3519M
CESSWDM23933T	87	6245	WD	293	3956M

Catalog Number	Page Number	List Price	Mult Sym.	Ship Wgt ⁽¹⁾	Type Code
CESSWDM23934T	87	7242	WD	299	3960M
CESSWDM23994T	87	6345	WD	293	3952M
CESSWDM3545	87	1411	WD	39	3520M
CESSWDM3546	87	1405	WD	41	3524M
CESSWDM3546T	87	1426	WD	52	3524M
CESSWDM3546T-5	87	1426	WD	51	3524M
CESSWDM3550	87	1419	WD	56	3532M
CESSWDM3550T	87	1431	WD	60	3532M
CESSWDM3554	87	1432	WD	41	3526M
CESSWDM3554T	87	1453	WD	55	3528M
CESSWDM3554T-5	87	1453	WD	56	3528M
CESSWDM3555T	87	1734	WD	64	3535M
CESSWDM3558	87	1725	WD	45	3528M
CESSWDM3558T	87	1746	WD	64	3536M
CESSWDM3558T-5	87	1746	WD	64	3536M
CESSWDM3559T	87	2089	WD	74	3546M
CESSWDM3559T-5	87	2089	WD	73	3546M
CESSWDM3610T	87	2231	WD	90	3624M
CESSWDM3611T	87	2041	WD	94	3635M
CESSWDM3611T-5	87	2041	WD	92	3631M
CESSWDM3613T	87	2374	WD	106	3636M
CESSWDM3613T-5	87	2374	WD	106	3636M
CESSWDM3615T	87	2297	WD	112	3646M
CESSWDM3615T-5	87	2297	WD	112	3646M
CESSWDM3709T	87	2786	WD	166	3735M
CESSWDM3710T	87	2873	WD	137	3739M
CESSWDM3711T	87	3109	WD	184	3744M
CESSWDM3714T	87	3169	WD	190	3756M
CESSWDM41906T	87	7283	WD	312	3960M
CESWDM3546	86	1150	WD	40	3524M
CESWDM3546T	86	1125	WD	39	3525M
CESWDM3554	86	1174	WD	50	3533M
CESWDM3554T	86	1205	WD	50	3533M
CESWDM3555T	86	1427	WD	52	3532M
CESWDM3558	86	1389	WD	45	3528M
CESWDM3558T	86	1479	WD	56	3536M
CESWDM3559T	86	1756	WD	62	3540M
CESWDM3611T	86	1809	WD	79	3632M
CESWDM3613T	86	2227	WD	88	3636M
CESWDM3615T	86	2105	WD	92	3642M
CESWDM3709T	86	2811	WD	134	3735M
CESWDM3710T	86	2590	WD	135	3739M
CESWDM3711T	86	3116	WD	154	3744M
CESWDM3714T	86	2947	WD	165	3752M
CEUHM3546	171	672	K	38	3519M
CEUHM3546T	171	681	L1	39	3519M
CEUHM3554	171	710	K	41	3526M
CEUHM3554T	171	719	L1	45	3526M
CEUHM3558	171	784	K	45	3528M
CEUHM3558T	171	792	L1	50	3528M

Catalog Number	Page Number	List Price	Mult Sym.	Ship Wgt ⁽¹⁾	Type Code
CEUHM3611T	171	926	L1	73	3631M
CEUHM3615T	171	1017	L1	94	3642M
CEWDBM3538	83, 181	2025	WD	42	3516M
CEWDBM3542	83, 181	2188	WD	42	3517M
CEWDBM3546	83, 181	2246	WD	50	3524M
CEWDBM3546T	83, 181	2269	WD	51	3524M
CEWDBM3554T	83, 181	2444	WD	61	3533M
CEWDBM3558T	83, 181	2487	WD	60	3528M
CEWDBM3611T	83, 181	3009	WD	93	3631M
CEWDBM3615T	83, 181	3635	WD	110	3642M
CEWDM22976T	79	3861	WD	280	3954M
CEWDM23932T	79	4389	WD	289	3956M
CEWDM23933T	79	5172	WD	256	3942M
CEWDM23933T-5	81	5172	WD	258	3942M
CEWDM23934T	79	5998	WD	283	3952M
CEWDM23934T-5	81	5998	WD	289	3952M
CEWDM23994T	79	5255	WD	188	3752M
CEWDM3545	79	1039	WD	33	3516M
CEWDM3546	79	1044	WD	41	3524M
CEWDM3546-5	81	1044	WD	39	3524M
CEWDM3546T	79	1065	WD	37	3524M
CEWDM3546T-5	81	1065	WD	38	3524M
CEWDM3550	79	1068	WD	46	3528M
CEWDM3554	79	1092	WD	50	3533M
CEWDM3554T	79	1115	WD	48	3533M
CEWDM3554T-5	81	1115	WD	46	3533M
CEWDM3555	79	1155	WD	35	3526M
CEWDM3555T	79	1178	WD	45	3526M
CEWDM3556	79	1172	WD	43	3526M
CEWDM3558	79	1191	WD	48	3530M
CEWDM3558T	79	1229	WD	46	3528M
CEWDM3558T-5	81	1229	WD	46	3528M
CEWDM3559T	79	1451	WD	60	3532M
CEWDM3559T-5	81	1451	WD	52	3532M
CEWDM3607T	79	1299	WD	72	3632M
CEWDM3610T	79	1368	WD	57	3532M
CEWDM3611T	79	1614	WD	78	3631M
CEWDM3611T-5	81	1614	WD	77	3631M
CEWDM3613T	79	1920	WD	80	3630M
CEWDM3613T-5	81	1920	WD	70	3630M
CEWDM3614T	79	1441	WD	93	3644M
CEWDM3615T	79	1829	WD	96	3642M
CEWDM3615T-5	81	1829	WD	94	3642M
CEWDM3616T	79	2282	WD	101	3646M
CEWDM3704T	79	1899	WD	136	3739M
CEWDM3708T	79	2249	WD	161	3748M
CEWDM3709T	79	2705	WD	143	3728M
CEWDM3710T	79	2314	WD	151	3738M
CEWDM3710T-5	81	2314	WD	195	3738M
CEWDM3711T	79	2977	WD	122	3729M

Catalog Number	Page Number	List Price	Mult Sym.	Ship Wgt ⁽¹⁾	Type Code
CEWDM3713T	79	3741	WD	174	3752M
CEWDM3714T	79	2630	WD	165	3752M
CEWDM3714T-5	81	2630	WD	165	3752M
CEWDM41906T	79	6031	WD	274	3940M
CEWDM3545	79	981	WD	35	3516M
CEWDM3558T	79	1200	WD	54	3538M
CFDL3504M	155	661	K	28	3421L
CFDL3507M	155	768	K	39	3432LC
CFDL3510M	155	867	K	47	3524L
CFDL3514M	155	975	K	51	3532LC
CFDL3516TM	155	1236	K	53	3535LC
CFM3036A	149	566	K	25	3418M
CFM3046A	149	614	K	33	3428M
CFM3136A	149	586	K	28	3516M
CFM3146A	149	633	K	33	3520M
CFM3156A	149	722	K	38	3522M
CFM3166A	149	785	K	48	3535M
CHC144A	152	347	K	21	3411C
CHC164A	152	403	K	22	3411C
CHC244A	152	387	K	22	3414C
CHC264A	152	467	K	26	3416C
CHC3413A	161	399	K	22	3414C
CHC3416A	161	434	K	25	3418C
CHC3417A	161	543	K	26	3421C
CHC345A	152	438	K	27	3420C
CHC3525A	161	623	K	40	3528C
CHC3526A	161	771	K	50	3535C
CHC365A	152	504	K	31	3428C
CHC445A	152	499	K	35	3428C
CHC545A	152	534	K	39	1924C
CHC565A	152	722	K	51	3535C
CHM164A	152	408	K	20	3411M
CHM264A	152	435	K	19	3414M
CHM344A	152	416	K	23	3416M
CHM345A	152	419	K	24	3416M
CHM364A	152	473	K	25	3418M
CHM365A	152	477	K	28	3418M
CHM465A	152	545	K	34	3428M
CHM545A	152	526	K	34	3428M
CHM565A	152	620	K	40	1924M
CJEWDM3545	83, 119	1006	WD	38	3520M
CJEWDM3550	83, 119	1063	WD	41	3526M
CJEWDM3555	83, 119	1180	WD	41	3526M
CJEWDM3559	83, 119	1398	WD	64	3540M
CJL1205A	116	308	K	23	3416L
CJL1301A	116	462	K	23	3414L
CJL1303A	116	320	K	30	3420L
CJL1304A	116	522	K	25	3418L
CJL1306A	116	408	K	30	3424L
CJL1307A	116	599	K	35	3520L

⁽¹⁾ Shipping weight is approximate.

Baldor
Mod Express

ABB
Mod Express

ABB ATEX
Mod Express

Product
Index

Baldor
Sales Offices

Catalog Number	Page Number	List Price	Mult Sym.	Ship Wgt ⁽¹⁾	Type Code
CJL1309A	116	418	K	32	3428L
CJL1313A	116	580	K	37	3432LC
CJL1317A	116	776	K	45	3528L
CJL3501A	115	423	K	23	3414L
CJL3504A	115	498	K	28	3421L
CJL3507A	115	607	K	35	3428LC
CJL3509A	115	614	K	39	3524L
CJL3513A	115	675	K	47	3528L
CJL3515A	115	793	K	51	3535L
CJM3104	118	383	K	22	3413M
CJM3107	118	351	K	22	3413M
CJM3108	118	428	K	24	3416M
CJM3111	118	401	K	28	3416M
CJM3112	118	459	K	27	3420M
CJM3115	118	448	K	29	3420M
CJM3120	118	546	K	31	3424M
CJM3155	118	649	K	34	3430M
CJM3158	118	768	K	41	3524M
CJM3538	117	475	K	23	3416M
CJM3542	117	503	K	25	3420M
CJWDM3463	83, 119	639	WD	33	3513M
CL1408TM	17, 167	1012	L1	80	3634LC
CL1410TM	17, 167	1220	L1	88	3640LC
CL3403	14	363	K	20	3411L
CL3405	14	362	K	21	3413L
CL3501	14	379	K	23	3414L
CL3503	14	380	K	23	3413L
CL3504	14	443	K	28	3421L
CL3506	14	423	K	29	3424L
CL3507	14	529	K	34	3428LC
CL3509	14	489	K	36	3520L
CL3510	14	597	K	40	3524L
CL3513	14	633	K	46	3528L
CL3514	14	708	K	51	3532LC
CL3515	14	816	K	50	3535L
CL3515T	14	823	L1	53	3535L
CL3516TM	14, 167	1052	L1	53	3535LC
CL3608TM	14, 167	1482	L1	92	3640LC
CL3612TM	14, 167	1434	L1	102	3646LC
CL3619TM	14, 167	1368	L1	81	3634LC
CL3711T	14	2409	L1	167	3744LC
CL3712T	14	2438	L1	171	3748LC
CL5001A	99	827	K	30	3414L
CL5001A-50	101	911	K	35	3421L
CL5001-I	106	911	K	47	3513L
CL5003A	99	726	K	35	3416L
CL5004A	99	828	K	36	3424L
CL5004A-50	101	912	K	45	3428L
CL5004-I	106	912	K	53	3520L
CL5007A	99	924	K	49	3524L

Catalog Number	Page Number	List Price	Mult Sym.	Ship Wgt ⁽¹⁾	Type Code
CL5007A-50	101	1061	K	52	3528L
CL5007-I	106	974	K	60	3528L
CL5009A	99	824	K	50	3524L
CL5013	99	2095	L1	83	3628L
CL5018	99	3355	L1	154	3735L
CL5020	99	4271	L1	170	3744LC
CL5023-50	101	1122	K	56	3532L
CL5023A	99	1049	K	49	3524L
CL5023-I	106	1049	K	66	3532L
CL5027T	99	2162	L1	99	3634L
CL5027T-50	101	2485	L1	121	3646L
CL5028T	99	2187	L1	100	3634L
CL5030T	99	1291	L1	53	3528L
CL5031T	99	1476	L1	60	3535L
CM3534	26	377	LS	21	3413M
CM3534-5	27	377	LS	21	3413M
CM3537	26	392	K	20	3410M
CM3538	26	417	LS	23	3416M
CM3538-5	27	417	LS	23	3416M
CM3538-8	27	473	K	23	3416M
CM3539	26	612	K	23	3418M
CM3541	26	428	K	22	3413M
CM3542	26	443	LS	26	3420M
CM3542-5	27	443	LS	26	3420M
CM3543	26	624	K	23	3428M
CM3546	26	476	K	31	3519M
CM3546-5	27	476	K	29	3424M
CM3554	26	518	K	35	3520M
CM3555	26	605	K	33	3428M
CM3555/35	26	679	K	43	3526M
CM3556	26	634	K	35	3520M
CM3557	26	723	K	46	3529M
CM3558	26	555	K	40	3523M
CM3559	27	699	K	45	3528M
CM7005A	99	867	K	27	3410M
CM7006-57	101	994	K	36	3420M
CM7006A	99	938	K	30	3416M
CM7006-I	104	938	SD	52	3512M
CM7009A	99	895	K	29	3413M
CM7010-57	101	1017	K	42	3428M
CM7010A	99	956	K	34	3420M
CM7010-I	104	956	SD	50	3514M
CM7013	99	936	K	31	3416M
CM7013-57	101	1028	K	34	3420M
CM7014	99	1020	K	40	3514M
CM7014-57	101	1087	K	45	3432M
CM7014-I	104	1020	SD	52	3516M
CM7018T-57	101	1169	L1	47	3520M
CM7034	99	1087	K	45	3520M
CM7034T-57	101	1198	L1	49	3521M

⁽¹⁾ Shipping weight is approximate.

Catalog Number	Page Number	List Price	Mult Sym.	Ship Wgt ⁽¹⁾	Type Code
CM7037	100	1177	K	49	3523M
CM7037T-57	101	1293	L1	59	3534M
CM7071T-57	101	1209	L1	50	3524M
CNDM3538	58	655	SD	34	
CNDM3542	58	681	SD	37	
CNEDM3546	58	1004	SD	41	
CNEDM3546T	58	1014	SD	42	
CNEDM3554T	58	1096	SD	48	
CNL20134	170	293	DS	13	2520C
CNL20172	170	303	DS	13	2524C
CNM20132	170	327	DS	8	2510M
CNM20134	170	354	DS	10	2516M
CNM20252	170	364	DS	12	2520M
CNM3454/35	26	524	K	31	3513M
CNM3457	26	385	K	21	3410M
CNM3531	26	666	K	31	3516M
CNM3538/35	26	536	K	28	3512M
CNM3539	26	654	K	40	3524M
CNM3542	26	481	K	31	3514M
CNM3546	26	549	K	40	3524M
CP500808LR-4	47, 73	191325	LG	10000	A95260M
CP50356LR-4	47, 73	48522	LG	5500	A50212M
CP50406LR-4	47, 73	54485	LG	6600	A50240M
CP50452S-4	47, 73	48841	LG	5500	
CP50454L-4	47, 73	50335	LG	5500	A50180M
CP50456LR-4	47, 73	56630	LG	6600	A50260M
CP50506LR-4	47, 73	59777	LG	6600	A50276M
CP50604L-4	47, 73	60667	LG	6600	A50240M
CP50606LR-4	47, 73	83197	LG	6600	A50276M
CP50704L-4	47	69380	LG	6600	A50256M
CP50804L-4	47, 73	74504	LG	6600	A50256M
CP58602S-4	47, 73	73507	LG	10000	A58240M
CP58608LR-4	47, 73	93787	LG	10000	A58296M
CP58702S-4	47, 73	90798	LG	10000	A58256M
CP58706LR-4	47, 73	85893	LG	10000	A58296M
CP58708LR-4	47, 73	115633	LG	10000	A58296M
CP58802S-4	47, 73	91412	LG	10000	A58256M
CP58806LR-4	47, 73	112555	LG	10000	A58296M
CSPM3545	170	2997	K	50	3520B
CSPM3546T	170	3299	L1	37	3520M
CSPM3555T	170	3495	L1	50	3540B
CSPM3558T	170	3735	L1		3530M
CSPM3611T	170	4457	L1	70	3544M
CSSEWDM22976T	89	6031	WD	255	3954M
CSSEWDM23932T	89	6856	WD	265	3964M
CSSEWDM3537	89	1412	WD	46	3516M
CSSEWDM3537-5	91	1412	WD	35	3516M
CSSEWDM3538	89	1433	WD	50	3516M
CSSEWDM3538-5	91	1433	WD	35	3516M
CSSEWDM3539	89	1721	WD	37	3522M

Catalog Number	Page Number	List Price	Mult Sym.	Ship Wgt ⁽¹⁾	Type Code
CSSEWDM3541	89	1459	WD	53	3520M
CSSEWDM3542	89	1481	WD	58	3521M
CSSEWDM3542-5	91	1481	WD	40	3521M
CSSEWDM3543	89	1769	WD	63	3530M
CSSEWDM3545	89	1532	WD	59	3524M
CSSEWDM3546	89	1547	WD	59	3525M
CSSEWDM3546-5	91	1547	WD	43	3525M
CSSEWDM3546T	89	1560	WD	59	3525M
CSSEWDM3546T-5	91	1560	WD	43	3525M
CSSEWDM3550	89	1552	WD	62	3532M
CSSEWDM3550T	89	1565	WD	63	3532M
CSSEWDM3554	89	1559	WD	66	3533M
CSSEWDM3554-5	91	1559	WD	62	3533M
CSSEWDM3554T	89	1574	WD	68	3533M
CSSEWDM3554T-5	91	1574	WD	64	3533M
CSSEWDM3555	89	1857	WD	68	3532M
CSSEWDM3555T	89	1870	WD	71	3532M
CSSEWDM3556	89	1829	WD	73	3537M
CSSEWDM3558	89	1884	WD	72	3538M
CSSEWDM3558T	89	1897	WD	73	3538M
CSSEWDM3558T-5	91	1897	WD	72	3538M
CSSEWDM3559T	89	2267	WD	81	3546M
CSSEWDM3559T-5	91	2267	WD	81	3546M
CSSEWDM3607T	89	2027	WD	83	
CSSEWDM3611T	89	2283	WD	112	3635M
CSSEWDM3611T-5	91	2283	WD	112	3635M
CSSEWDM3613T	89	2474	WD	108	3634M
CSSEWDM3613T-5	91	2474	WD	110	3634M
CSSEWDM3614T	89	2251	WD	125	3646M
CSSEWDM3615T	89	2493	WD	124	3646M
CSSEWDM3615T-5	91	2493	WD	125	3646M
CSSEWDM3704T	89	2966	WD	179	
CSSEWDM3708T	89	3513	WD	210	
CSSEWDM3709T	89	3104	WD	178	3735M
CSSEWDM3710T	89	3168	WD	189	3739M
CSSEWDM3711T	89	3520	WD	202	3744M
CSSEWDM3713T	89	5279	WD	187	3756M
CSSEWDM3714T	89	3730	WD	214	3756M
CSSEWDNM3554	89	1531	WD	50	3546M
CSSEWDNM3554T	89	1546	WD	50	3546M
CSSEWDNM3555	89	1829	WD	64	3546M
CSSEWDNM3555T	89	1842	WD	64	3546M
CSSEWDNM3558	89	1856	WD	56	3546M
CSSEWDNM3558T	89	1869	WD	56	3546M
CSSEWDNM3610T	89	2322	WD	96	3646M
CSSEWDNM3611T	89	2248	WD	96	3646M
CSSWDM3457	87	1054	WD	33	3513M
CSSWDM3534	87	1109	WD	33	3512M
CSSWDM3537	87	1245	WD	36	3513M
CSSWDM3538	87	1336	WD	37	3513M

⁽¹⁾ Shipping weight is approximate.

Baldor
Mod Express

ABB
Mod Express

ABB ATEX
Mod Express

Product
Index

Baldor
Sales Offices

Catalog Number	Page Number	List Price	Mult Sym.	Ship Wgt ⁽¹⁾	Type Code
CSSWDM3538-5	87	1336	WD	37	3513M
CSSWDM3541	87	1287	WD	43	3518M
CSSWDM3542	87	1383	WD	42	3519M
CSSWDM3542-5	87	1383	WD	41	3519M
CSSWDM3546	87	1420	WD	47	3524M
CSWDM3537	86	731	WD	29	3513M
CSWDM3538	86	715	WD	27	3512M
CSWDM3539	86	1000	WD	38	3522M
CSWDM3541	86	767	WD	36	3518M
CSWDM3542	86	825	WD	30	3514M
CSWDM3543	86	1207	WD	47	3530M
CSWDM3546	86	854	WD	34	3518M
CTM1760T	147	3455	L1	210	0750M
CTM1761T	147	4381	L1	290	0940M
CTM1762T	147	5293	L1	299	0944M
CTM1763T	147	6158	L1	342	1040M
CTM1764T	147	7069	L1	333	1050M
CTM1765T	147	9280	L1	619	1262M
CTM1766T	147	10949	L1	657	1272M
CTM1767T	147	15857	L1	836	A36052M
CTM2276T	146	2025	L1	179	0756M
CTM2332T	146	2254	L1	275	0946M
CTM2333T	146	2472	L1	236	0756M
CTM2334T	146	2756	L1	245	0760M
CTM3665T	146	1095	L1	100	0633M
CTM3768T	146	1660	L1	206	0736M
CTM3770T	146	1458	L1	164	0729M
CTM3774T	146	1861	L1	170	0733M
CTM4103T	146	3341	L1	343	0956M
CTM4104T	146	4010	L1	363	0964M
CTM4110T	146	5334	L1	529	1248M
CUHL3518	171	490	K	37	3520L
CUHL3519	171	597	K	44	3524L
CUHM3538	171	420	K	27	3511M
CUHM3542	171	444	K	31	3513M
CWDL3504	77	620	WD	35	3520L
CWDL3507	77	721	WD	36	3520L
CWDL3509	77	676	WD	37	3520L
CWDL3510	77	829	WD	41	3524L
CWDL3513	77	835	WD	41	3524L
CWDL3514	77	993	WD	50	3532LC
CWDM3457	79	514	WD	20	3410M
CWDM3534	79	541	WD	33	3512M
CWDM3537	79	604	WD	29	3513M
CWDM3538	79	654	WD	28	3512M
CWDM3538-5	81	654	WD	26	3512M
CWDM3539	79	826	WD	37	3522M
CWDM3541	79	633	WD	35	3518M
CWDM3542	79	709	WD	29	3514M
CWDM3542-5	81	709	WD	35	3514M

Catalog Number	Page Number	List Price	Mult Sym.	Ship Wgt ⁽¹⁾	Type Code
CWDM3543	79	997	WD	46	3530M
CWDM3546	79	760	WD	34	3518M
CWDM3561TP	82	1493	WD	59	3544M
D1151	272	1658	K	23	
D1152	272	1755	K	29	
D1153	272	2005	K	34	
D1154	272	2305	K	62	
D1802R	274	6040	N2	86	
D1803R	274	6040	N2	165	
D1815R	274	6040	N2	169	
D2003R	277	6431	N2	161	
D2005P	280	6242	N2	180	
D2005R	277	10358	N2	194	
D2007P	280	7258	N2	218	
D2007R	277	10358	N2	210	
D2010P	280	8238	N2	245	
D2010R	277	11335	N2	233	
D2010R-2	274	16661	N2	346	
D2015P	280	9861	N2	375	
D2015R	277	15311	N2	315	
D2015R-BV	276	16556	N2	345	
D2020P	280	11273	N2	430	
D2020R	277	18661	N2	403	
D2020R-BV	276	16556	N2	345	
D2025P	280	15236	N2	575	
D2025R	277	18661	N2	415	
D2025R-BV	276	18317	N2	370	
D2030P	280	15236	N2	595	
D2030R	277	26466	N2	515	
D2030R-BV	276	19905	N2	400	
D2040P-BV	281	23764	N2	855	
D2040R-BV	276	26587	N2	480	
D2050P-BV	281	23764	N2	873	
D2060P-BV	281	30715	N2	980	
D2075P-BV	281	30715	N2	975	
D2301	272	1658	K	41	
D2302	272	1755	K	29	
D2303	272	2005	K	34	
D2304	272	2305	K	62	
D2305	272	3921	L1	84	
D2505P	282	9004	N2	214	
D2505R	275	13081	N2	251	
D2507P	282	10480	N2	300	
D2507R	275	17059	N2	359	
D2510P	282	13020	N2	250	
D2510R	275	18820	N2	379	
D2515P	282	17374	N2	630	
D2515R	275	28213	N2	560	
D2520P	282	22882	N2	850	
D2520R	275	30464	N2	640	

Catalog Number	Page Number	List Price	Mult Sym.	Ship Wgt ⁽¹⁾	Type Code
D2525P	282	22882	N2	872	
D2525R	275	43228	N2	805	
D5003R	277	9967	N2	197	
D5005P	280	6242	N2	162	
D5005R	277	9967	N2	194	
D5007P	280	8009	N2	235	
D5007R	277	9967	N2	197	
D501	370	994	A8	5	
D50100P	280	36878	N2	1100	
D50100P-BV	281	40250	N2	1145	
D50100R-BV	276	39995	N2	890	
D50100RS-BV	276	67915	N2	1210	
D5010P	280	8238	N2	255	
D5010R	277	11335	N2	227	
D5010RS-BV	276	19133	N2	345	
D50125P	280	42414	N2	1445	
D50125P-BV	281	40250	N2	1170	
D50125R-BV	276	49873	N2	997	
D50125RS-BV	276	71773	N2	1290	
D50125UR-BV	276	51108	N2	945	
D50150P	280	52882	N2	1785	
D50150P-BV	281	46126	N2	1519	
D50150RE-BV	276	56918	N2	1197	
D50150RS-BV	276	88976	N2	1630	
D50150URE-BV	276	58152	N2	1197	
D5015P	280	9861	N2	375	
D5015R	277	15311	N2	320	
D5015R-BV	276	16556	N2	375	
D5015RS-BV	276	19133	N2	345	
D502	370	994	A8	2	
D50200P	280	65981	N2	2095	
D50200P-BV	281	57457	N2	1830	
D50200RR-BV	276	73535	N2	1475	
D50200RS-BV	276	91619	N2	1905	
D5020P	280	11273	N2	430	
D5020R	277	17074	N2	372	
D5020R-BV	276	16556	N2	390	
D5020RS-BV	276	20894	N2	370	
D50250P	280	79067	N2	2540	
D50250P-BV	281	70339	N2	2175	
D50250RR-BV	277	89964	N2	1891	
D50250RS-BV	277	124469	N2	2310	
D5025P	280	15236	N2	490	
D5025R	277	18661	N2	394	
D5025R-BV	276	18317	N2	410	
D5025RS-BV	276	22483	N2	472	
D50300P-BV	281	83425	N2	2629	
D50300R-BV	277	113818	N2	2190	
D50300RS-BV	277	150442	N2	2815	
D5030P	280	15236	N2	590	

Catalog Number	Page Number	List Price	Mult Sym.	Ship Wgt ⁽¹⁾	Type Code
D5030R	277	26466	N2	520	
D5030R-BV	276	19905	N2	445	
D5030RS-BV	276	30609	N2	535	
D50400P-BV	281	117765	N2	3285	
D50400R-BV	277	145465	N2	3040	
D50400RS-BV	277	168174	N2	3040	
D5040P	280	20393	N2	784	
D5040P-BV	281	23764	N2	830	
D5040R	277	28717	N2	605	
D5040R-BV	276	23683	N2	501	
D5040RS-BV	276	31738	N2	570	
D50500P-BV	281	154655	N2	4170	
D50500R-BV	277	196381	N2	3480	
D5050P	280	20393	N2	822	
D5050P-BV	281	23764	N2	885	
D5050R	277	41092	N2	766	
D5050R-BV	276	26587	N2	520	
D5050RS-BV	276	32860	N2	660	
D5060P	280	27343	N2	790	
D5060P-BV	281	30715	N2	880	
D5060R	277	45931	N2	860	
D5060R-BV	276	29962	N2	610	
D5060RS-BV	276	45623	N2	860	
D5075P	280	27343	N2	905	
D5075P-BV	281	30715	N2	960	
D5075R-BV	276	34634	N2	767	
D5075RS-BV	276	50462	N2	885	
D51100R-BV	276	56918	N2	1239	
D51125RR-BV	276	73535	N2	1475	
D51150RR-BV	276	89964	N2	1850	
D51200R-BV	276	106410	N2	1850	
D51250R-BV	277	145465	N2	2735	
D51300R-BV	277	163196	N2	3015	
D5130R-BV	276	26587	N2	480	
D51400R-BV	277	201741	N2	3830	
D5140R-BV	276	29962	N2	640	
D51500R-BV	277	206180	N2	4560	
D5150R-BV	276	34634	N2	695	
D5160R-BV	276	39995	N2	805	
D5175R-BV	276	56918	N2	1125	
D5505P	282	9004	N2	214	
D5505R	275	15311	N2	340	
D5507P	282	10480	N2	310	
D5507R	275	17059	N2	360	
D5510P	282	13020	N2	250	
D5510R	275	18820	N2	405	
D5515P	282	17374	N2	630	
D5515R	275	28213	N2	547	
D5520P	282	22882	N2	875	
D5520R	275	30464	N2	640	

⁽¹⁾ Shipping weight is approximate.

Baldor
Mod Express

ABB
Mod Express

ABB ATEX
Mod Express

Product
Index

Baldor
Sales Offices

Catalog Number	Page Number	List Price	Mult Sym.	Ship Wgt ⁽¹⁾	Type Code
D5525P	282	22882	N2	875	
D5525R	275	43228	N2	815	
D5530R	275	48066	N2	895	
D5540R	275	65449	N2	1120	
D5550R	275	69186	N2	1270	
DA1	375	58	A8		
DC10	373	1464	A8		
DC12	373	1591	A8		
DC12-3	373	1591	A8		
DC14-3	373	2596	A8		
DC7	373	1464	A8		
DC8	373	1464	A8		
DCF803-0016	297	1073	EM		
DCF803-0035	297	1633	EM		
DCF803-0050	297	2226	EM		
DCF803-0060	297	2669	EM		
DCF804-0050	297	2602	EM		
DCF804-0060	297	3112	EM		
DCS800-DSL, Cable 10M	297	222	EM		
DCS800-DSL, Cable 20M	297	280	EM		
DCS800-DSL, Cable 2M	297	140	EM		
DCS800-DSL, Cable 4M	297	175	EM		
DCS800-DSL, Cable P5M	297	140	EM		
DCS800-EP1-0020-05	295	5375	EM		
DCS800-EP1-0020-05+S235	294	5450	EM		
DCS800-EP1-0045-05	295	5629	EM		
DCS800-EP1-0045-05+S235	294	5704	EM		
DCS800-EP1-0065-05	295	6066	EM		
DCS800-EP1-0065-05+S235	294	6141	EM		
DCS800-EP1-0090-05	295	6658	EM		
DCS800-EP1-0090-05+S235	294	6733	EM		
DCS800-EP1-0125-05	295	7039	EM		
DCS800-EP1-0125-05+S235	294	7114	EM		
DCS800-EP1-0180-05	295	8464	EM		
DCS800-EP1-0180-05+S235	294	8539	EM		
DCS800-EP1-0230-05	295	9875	EM		
DCS800-EP1-0230-05+S235	294	9950	EM		
DCS800-EP1-0315-05	295	10721	EM		
DCS800-EP1-0315-05+S235	294	10796	EM		
DCS800-EP1-0405-05	295	16646	EM		
DCS800-EP1-0405-05+S235	294	16721	EM		
DCS800-EP1-0470-05	295	18021	EM		
DCS800-EP1-0470-05+S235	294	18096	EM		
DCS800-EP1-0610-05	295	19265	EM		
DCS800-EP1-0610-05+S235	294	19340	EM		
DCS800-EP1-0740-05	295	25561	EM		
DCS800-EP1-0900-05	295	27213	EM		
DCS800-EP2-0025-05	295	6080	EM		
DCS800-EP2-0025-05+S235	294	6155	EM		
DCS800-EP2-0050-05	295	6334	EM		

Catalog Number	Page Number	List Price	Mult Sym.	Ship Wgt ⁽¹⁾	Type Code
DCS800-EP2-0050-05+S235	294	6409	EM		
DCS800-EP2-0075-05	295	6771	EM		
DCS800-EP2-0075-05+S235	294	6846	EM		
DCS800-EP2-0100-05	295	7505	EM		
DCS800-EP2-0100-05+S235	294	7580	EM		
DCS800-EP2-0140-05	295	7886	EM		
DCS800-EP2-0140-05+S235	294	7961	EM		
DCS800-EP2-0200-05	295	10580	EM		
DCS800-EP2-0200-05+S235	294	10655	EM		
DCS800-EP2-0260-05	295	11003	EM		
DCS800-EP2-0260-05+S235	294	11078	EM		
DCS800-EP2-0350-05	295	11849	EM		
DCS800-EP2-0350-05+S235	294	11924	EM		
DCS800-EP2-0450-05	295	20260	EM		
DCS800-EP2-0450-05+S235	294	20335	EM		
DCS800-EP2-0520-05	295	22095	EM		
DCS800-EP2-0520-05+S235	294	22170	EM		
DCS800-EP2-0680-05	295	25892	EM		
DCS800-EP2-0680-05+S235	294	25967	EM		
DCS800-EP2-0820-05	295	35899	EM		
DCS800-EP2-1000-05	295	37409	EM		
DCS800-EP2-1010-05	295	40290	EM		
DCS-CP-EP	297	230	EM		
DEL3733TM	161	2956	L1	162	3750LC
DEL3737TM	161	3610	L1	160	3750LC
DM3538	58	626	SD	27	
DM3542	58	654	SD	30	
DMG2305	282	7521	N2	220	
DMG2307	282	8652	N2	245	
DMG2310	282	9589	N2	250	
DMG2315	282	16097	N2	250	
DMG2320	282	17622	N2	595	
DMG2325	282	19269	N2	820	
DMG2333	282	24435	N2	840	
DMG2340	282	26785	N2	910	
DR913X913B5	356	183	A8		
DR913X918B5	356	191	A8		
DR913X921B5	356	202	A8		
DR913X924B5	356	202	A8		
DR913X926B5	356	219	A8		
DR918X924B7	356	219	A8		
DR918X926B7	356	227	A8		
DR918X932B7	356	227	A8		
DR924X938B9	356	227	A8		
EBM2333T	177	6611	L1	337	0944M
EBM2334T	177	8578	L1	398	0952M
EBM2334TY	179	8578	L1	263	0952M
EBM2353TY	179	6030	L1	286	0944M
EBM2354TY	179	7675	L1	328	0952M
EBM2513T	180	5375	L1	252	3938M

⁽¹⁾ Shipping weight is approximate.

Catalog Number	Page Number	List Price	Mult Sym.	Ship Wgt ⁽¹⁾	Type Code
EBM3116T	180	1343	L1	49	3524M
EBM3154T	180	1488	L1	48	3522M
EBM3157T	180	1698	L1	51	3525M
EBM3211T	180	2083	L1	83	3630M
EBM3218T	180	2574	L1	104	3640M
EBM3248T	180	2212	L1	104	3640M
EBM3311T	180	3235	L1	149	3733M
EBM3313T	180	4064	L1	159	3739M
EBM3546	177	1529	K	44	3519M
EBM3546-S	176	1295	K	51	3519M
EBM3546T	177	1560	L1	46	3519M
EBM3546T-S	176	1304	L1	51	3519M
EBM3554T	177	1756	L1	52	3526M
EBM3554T-S	176	1415	L1	54	3526M
EBM3554TY	179	1756	L1	48	3526M
EBM3554Y	179	1756	K	48	3526M
EBM3556TY	179	1630	L1	48	3526M
EBM3558T	177	1795	L1	57	3528M
EBM3558T-D	174	1631	L1	61	3528M
EBM3558T-S	176	1462	L1	58	3528M
EBM3558TY	179	1795	L1	52	3528M
EBM3558Y	179	1795	K	52	3528M
EBM3603Y	179	1682	L1	44	3519M
EBM3606Y	179	1789	L1	48	3526M
EBM3609Y	179	1840	L1	52	3528M
EBM3611T	177	2325	L1	89	3631M
EBM3611T-D	174	2112	L1	104	3628M
EBM3611T-S	176	1724	L1	83	3631M
EBM3611TY	179	2395	L1	77	3631M
EBM3614TY	179	1963	L1	104	3644M
EBM3615T	177	2819	L1	106	3642M
EBM3615T-D	174	2554	L1	117	3642M
EBM3615T-S	176	2017	L1	106	3642M
EBM3615TY	179	2819	L1	101	3642M
EBM3635TY	179	1845	L1	100	3642M
EBM3703Y	179	2860	L1	77	3631M
EBM3704TY	179	3941	L1	154	3739M
EBM3707Y	179	3435	L1	100	3644M
EBM3710T	177	3718	L1	158	3738M
EBM3710T-D	174	3434	L1	170	3738M
EBM3710TY	179	3918	L1	149	3736M
EBM3714T	177	4673	L1	165	3752M
EBM3714T-D	174	4227	L1	165	3752M
EBM3714TY	179	4673	L1	183	3752M
EBM3730TY	179	3243	L1	146	3736M
EBM3734TY	179	4089	L1	187	3752M
EBM4103T	177	10836	L1	516	1046M
EBM4103TY	179	10836	L1	448	1046M
EBM4104T	177	12220	L1	667	1052M
EBM4104TY	179	12220	L1	565	1056M

Catalog Number	Page Number	List Price	Mult Sym.	Ship Wgt ⁽¹⁾	Type Code
EBNM3546-D	174	1413	K	51	3524M
EBNM3546T-D	174	1413	L1	51	3524M
EBNM3554-D	174	1527	K	62	3533M
EBNM3554T-D	174	1527	L1	62	3533M
ECP2276T	45	2858	SD	335	0954M
ECP2276T-4	45	2858	SD	337	0954M
ECP2276T-5	47	2858	SD	333	0954M
ECP2280T-4	44	4385	SD	327	0952M
ECP2294T	45	2922	SD	300	0934M
ECP2332T	45	3713	SD	348	0960M
ECP2332T-4	45	3713	SD	347	0960M
ECP2332T-5	47	3713	SD	347	0960M
ECP2333T	45	2745	SD	314	0944M
ECP2333T-4	45	2745	SD	294	0944M
ECP2333T-5	47	2745	SD	297	0944M
ECP2334T	45	2944	SD	334	0952M
ECP2334T-4	45	2944	SD	333	0952M
ECP2334T-5	48	2944	SD	325	0952M
ECP2394T-4	45	2922	SD	297	0934M
ECP2394T-5	47	2922	SD	239	0934M
ECP2395T-4	45	7807	SD	479	1060M
ECP2401T-4	45	5014	SD	347	0960M
ECP2402T-4	45	5849	SD	468	1060M
ECP3580T	44	950	SD	59	0516M
ECP3580T-4	44	950	SD	59	0516M
ECP3580T-5	47	950	SD	61	0516M
ECP3581T	44	1044	SD	64	0524M
ECP3581T-4	44	1044	SD	61	0524M
ECP3581T-5	47	1044	SD	65	0524M
ECP3582T	44	1153	SD	68	0526M
ECP3582T-4	44	1153	SD	69	0526M
ECP3583T	44	1080	SD	67	0524M
ECP3583T-4	44	1080	SD	67	0524M
ECP3584T	44	1063	SD	69	0530M
ECP3584T-4	44	1063	SD	72	0530M
ECP3584T-5	47	1063	SD	71	0530M
ECP3586T	44	1130	SD	74	0532M
ECP3586T-4	44	1130	SD	74	0532M
ECP3587T	44	1110	SD	75	0535M
ECP3587T-4	44	1110	SD	73	0535M
ECP3587T-5	47	1110	SD	75	0535M
ECP3660T	44	1336	SD	104	0628M
ECP3660T-4	44	1336	SD	106	0628M
ECP3660T-5	47	1336	SD	107	0628M
ECP3661T	44	1404	SD	110	0632M
ECP3661T-4	44	1404	SD	112	0632M
ECP3661T-5	47	1404	SD	113	0632M
ECP3663T	44	1644	SD	114	0632M
ECP3663T-4	44	1644	SD	111	0634M
ECP3663T-5	47	1644	SD	111	0634M

⁽¹⁾ Shipping weight is approximate.

Baldor
Mod Express

ABB
Mod Express

ABB ATEX
Mod Express

Product
Index

Baldor
Sales Offices

Catalog Number	Page Number	List Price	Mult Sym.	Ship Wgt ⁽¹⁾	Type Code
ECP3664T	44	1366	SD	122	0642M
ECP3664T-4	44	1366	SD	120	0642M
ECP3665T	44	1429	SD	118	0641M
ECP3665T-4	44	1429	SD	119	0641M
ECP3665T-5	47	1429	SD	118	0641M
ECP3667T	44	1349	SD	108	0630M
ECP3667T-4	44	1349	SD	108	0630M
ECP3668T-4	44	2015	SD	110	0634M
ECP3687T-4	44	1619	SD	103	0628M
ECP3764T	44	1971	SD	185	0737M
ECP3764T-4	44	1971	SD	209	0736M
ECP3764T-5	47	1971	SD	211	0737M
ECP3768T	44	1998	SD	212	0748M
ECP3768T-4	44	1998	SD	227	0748M
ECP3768T-5	47	1998	SD	196	0748M
ECP3769T	45	2145	SD	169	0731M
ECP3769T-4	45	2145	SD	173	0731M
ECP3769T-5	47	2145	SD	169	0731M
ECP3770T	45	1799	SD	170	0735M
ECP3770T-4	45	1799	SD	170	0735M
ECP3770T-5	47	1799	SD	170	0735M
ECP3771T	45	2284	SD	203	0742M
ECP3771T-4	45	2284	SD	215	0742M
ECP3771T-5	47	2284	SD	182	0742M
ECP3772T-4	44	2541	SD	179	0732M
ECP3774T	45	2154	SD	231	0748M
ECP3774T-4	45	2154	SD	211	0748M
ECP3774T-5	47	2154	SD	231	0748M
ECP3775T-4	44	2755	SD	203	0744M
ECP4100T	45	4257	SD	449	1056M
ECP4100T-4	45	4257	SD	448	1056M
ECP4100T-5	47	4257	SD	446	1056M
ECP4102T	45	5784	SD	480	1062M
ECP4102T-4	45	5784	SD	467	1062M
ECP4102T-5	48	5784	SD	478	1062M
ECP4103T	45	3852	SD	431	1052M
ECP4103T-4	45	3852	SD	435	1052M
ECP4103T-5	48	3852	SD	424	1052M
ECP4104T	45	4574	SD	475	1060M
ECP4104T-4	45	4574	SD	470	1060M
ECP4104T-5	48	4574	SD	467	1060M
ECP4106T	45	3408	SD	324	0944M
ECP4106T-4	45	3408	SD	328	0944M
ECP4106T-5	48	3408	SD	310	0954M
ECP4107T	45	4096	SD	396	1048M
ECP4107T-4	45	4096	SD	410	1048M
ECP4108T	45	4993	SD	440	1048M
ECP4108T-4	45	4993	SD	424	1050M
ECP4109T	45	6859	SD	552	1240M
ECP4109T-4	45	6859	SD	566	1244M

Catalog Number	Page Number	List Price	Mult Sym.	Ship Wgt ⁽¹⁾	Type Code
ECP4110T	45	5984	SD	618	1260M
ECP4110T-4	45	5984	SD	626	1260M
ECP4110T-5	48	5984	SD	623	1260M
ECP4111T	45	6044	SD	604	1260M
ECP4111T-4	45	6044	SD	608	1260M
ECP4111T-5	48	6044	SD	612	1260M
ECP4112T-4	45	8900	SD	600	1256M
ECP4113T-4	45	11752	SD	813	A36050M
ECP4114T	45	7188	SD	619	1256M
ECP4114T-4	45	7188	SD	610	1256M
ECP4115T	45	7024	SD	641	1272M
ECP4115T-4	45	7024	SD	668	1272M
ECP4115T-5	48	7024	SD	652	1272M
ECP4117T	45	7791	SD	621	1264M
ECP4117T-4	45	7791	SD	633	1264M
ECP4124T-4	45	11114	SD	598	1256M
ECP4308T	45	9710	SD	918	A36062M
ECP4308T-4	45	9710	SD	889	A36062M
ECP4310T	46	10431	SD	929	A36056M
ECP4310T-4	46	10431	SD	882	A36056M
ECP4312T	45	10343	SD	928	A36062M
ECP4312T-4	45	10343	SD	920	A36062M
ECP4313T	46	11661	SD	1004	A36068M
ECP4313T-4	46	11661	SD	990	A36068M
ECP4314T	46	9414	SD	933	A36062M
ECP4314T-4	46	9414	SD	941	A36062M
ECP4314T-5	48	9414	SD	936	A36062M
ECP4315T-4	45	13513	SD	813	A36062M
ECP4316T	46	11000	SD	958	A36070M
ECP4316T-4	46	11000	SD	962	A36068M
ECP4316T-5	48	11000	SD	966	A36070M
ECP4316TR-4	46	11625	SD	965	A36070M
ECP4400T-4	46	14439	SD	1296	A40064M
ECP4400T-5	48	14439	SD	1305	A40064M
ECP4400TR-4	46	15153	SD	1326	A40064M
ECP4400TS-4	46	14439	SD	1304	A40064M
ECP4402T	46	14657	SD	1283	A40060M
ECP4402T-4	46	14657	SD	1272	A40060M
ECP4403T	46	14128	SD	1281	A40064M
ECP4403T-4	46	14128	SD	1331	A40064M
ECP4403TR-4	46	14842	SD	1375	A40072M
ECP4404T	46	17194	SD	1275	A40064M
ECP4404T-4	46	17194	SD	1334	A4072M
ECP4404TR-4	46	17908	SD	1334	A4072M
ECP4406T-4	46	19997	SD	2190	A4488M
ECP4406T-5	48	19997	SD	2175	A4488M
ECP4406TR-4	46	21225	SD	2190	A4488M
ECP4407T-4	46	24056	SD	2545	A44120M
ECP4407T-5	48	24056	SD	2570	A44120M
ECP4407TR-4	46	25282	SD	2621	A44120M

⁽¹⁾ Shipping weight is approximate.

Catalog Number	Page Number	List Price	Mult Sym.	Ship Wgt ⁽¹⁾	Type Code
ECP4407TS-4	46	24056	SD	2573	A44120M
ECP4408T-4	46	30527	SD	2981	A44140M
ECP4408TR-4	46	31753	SD	2995	A44140M
ECP4409T-4	46	18912	SD	1871	A44064M
ECP4409TR-4	46	20140	SD	1871	A44064M
ECP4410T-4	46	17070	SD	1950	A44076M
ECP4410T-5	48	17070	SD	2054	A44076M
ECP4410TR-4	46	18298	SD	1950	A44076M
ECP4411T-4	46	21365	SD	2146	A44090M
ECP4411TR-4	46	22593	SD	2146	A44090M
ECP4412T	46	17223	SD	1957	A4468M
ECP4412T-4	46	17223	SD	1901	A4468M
ECP4413T-4	46	20191	SD	2017	A4478M
ECP44156T-4	46	24088	SD	2546	A44120M
ECP44156TR-4	46	25315	SD	2585	A44120M
ECP4416T-4	46	23908	SD	2436	A44104M
ECP4417T-4	45	16652	SD	1216	A40060M
ECP4418T-4	46	19529	SD	1216	A40060M
ECP4419T-4	46	24111	SD	1815	A44072M
ECP44206T-4	46	31553	SD	3104	A44160M
ECP44206TR-4	46	32779	SD	3091	A44160M
ECP4420T-4	46	28143	SD	1905	A44060M
ECP4421T-4	46	30823	SD	2330	A44104M
ECP4422T-4	46	35415	SD	3051	A44120M
ECP4423T-4	46	44951	SD	3179	A44144M
ECP44252T-4	46	36560	SD	2633	A44112M
ECP44256T-4	46	44018	SD	3090	A44160M
ECP44256TR-4	46	45244	SD	3093	A44160M
ECP44302T-4	46	53433	SD	2789	A44128M
ECP44304T-4	46	42075	SD	3061	A44152M
ECP44304TR-4	46	43302	SD	3048	A44152M
ECP44352T-4	47	64135	SD	2965	A44144M
ECP44402T-4	47	75034	SD	3091	A44160M
ECP49258T-4	46	54429	SD	3430	A44176M
ECP49306T-4	46	44454	SD	3125	A44208M
ECP49308T-4	46	65528	SD	4089	A44208M
ECP49354T-4	47	50488	SD	3543	A44176M
ECP49404T-4	47	63060	SD	3682	A44208M
ECP50356LR-4	47, 73	53374	LG	5500	
ECP50358LR-4	47, 73	63429	LG	6600	
ECP50406LR-4	47, 73	59934	LG	6600	
ECP50408LR-4	47, 73	66888	LG	6600	
ECP50452S-4	47, 73	53725	LG	5500	A50184M
ECP50454L-4	47, 73	55369	LG	5500	
ECP50456LR-4	47, 73	62293	LG	6600	
ECP50458LR-4	47, 73	87790	LG	6600	
ECP50502S-4	47, 73	58192	LG	5500	A50184M
ECP50504L-4	47, 73	56255	LG	5500	A50192M
ECP50506LR-4	47, 73	65755	LG	6600	
ECP50508LR-4	47, 73	91032	LG	6600	

Catalog Number	Page Number	List Price	Mult Sym.	Ship Wgt ⁽¹⁾	Type Code
ECP62333TR-4	57	3372	SD	324	0944M
ECP62334TR-4	57	3617	SD	355	0960M
ECP63665T-4	57	1570	SD	128	0641M
ECP63770TR-4	57	2248	SD	195	0737M
ECP63774TR-4	57	2611	SD	231	0748M
ECP64103TR-4	57	4676	SD	461	1052M
ECP64104TR-4	57	5426	SD	487	1060M
ECP64110TR-4	57	7198	SD	600	1260M
ECP64115TR-4	57	8354	SD	687	1272M
ECP64314TR-4	57	10960	SD	936	A36062M
ECP64316TR-4	57	12644	SD	976	A36070M
ECP82276T-4	52	3195	SD	343	0954M
ECP82276T-5	53	3352	SD	348	0954M
ECP82332T-4	52	4079	SD	359	0960M
ECP82332T-5	53	4079	SD	357	0960M
ECP82333T-4	52	3015	SD	322	0944M
ECP82333T-5	53	3015	SD	318	0944M
ECP82334T-4	52	3260	SD	350	0960M
ECP82334T-5	53	3260	SD	361	0960M
ECP82394T-4	52	3264	SD	308	0934M
ECP82394T-5	53	3264	SD	305	0934M
ECP83580T-4	52	1043	SD	60	0516M
ECP83580T-5	53	1043	SD	63	0516M
ECP83581T-4	52	1145	SD	69	0524M
ECP83581T-5	53	1145	SD	67	0524M
ECP83582T-4	52	1228	SD	69	0526M
ECP83582T-5	53	1228	SD	69	0526M
ECP83583T-4	52	1120	SD	69	0524M
ECP83583T-5	53	1120	SD	71	0524M
ECP83584T-4	52	1165	SD	73	0530M
ECP83584T-5	53	1165	SD	73	0530M
ECP83586T-4	52	1229	SD	78	0535M
ECP83586T-5	53	1161	SD	79	0535M
ECP83587T-4	52	1217	SD	78	0535M
ECP83587T-5	53	1217	SD	77	0535M
ECP83660T-4	52	1465	SD	116	0632M
ECP83660T-5	53	1465	SD	116	0632M
ECP83661T-4	52	1541	SD	116	0632M
ECP83661T-5	53	1541	SD	118	0632M
ECP83663T-4	52	1805	SD	132	0643M
ECP83663T-5	53	1805	SD	130	0643M
ECP83664T-4	52	1537	SD	130	0642M
ECP83664T-5	53	1537	SD	128	0642M
ECP83665T-4	52	1570	SD	127	0641M
ECP83665T-5	53	1570	SD	127	0641M
ECP83667T-4	52	1414	SD	114	0630M
ECP83667T-5	53	1414	SD	105	0630M
ECP83764T-4	52	2143	SD	165	0736M
ECP83764T-5	53	2143	SD	211	0736M
ECP83768T-4	52	2215	SD	193	0748M

⁽¹⁾ Shipping weight is approximate.

Baldor
Mod Express

ABB
Mod Express

ABB ATEX
Mod Express

Product
Index

Baldor
Sales Offices

Catalog Number	Page Number	List Price	Mult Sym.	Ship Wgt ⁽¹⁾	Type Code
ECP83768T-5	53	2215	SD	226	0748M
ECP83769T-4	52	2356	SD	179	0731M
ECP83769T-5	53	2356	SD	179	0731M
ECP83770T-4	52	1978	SD	199	0737M
ECP83770T-5	53	1978	SD	199	0737M
ECP83771T-4	52	2508	SD	225	0742M
ECP83771T-5	53	2508	SD	225	0742M
ECP83774T-4	52	2342	SD	231	0748M
ECP83774T-5	53	2342	SD	231	0748M
ECP84100T-4	52	4712	SD	447	1054M
ECP84100T-5	53	4712	SD	445	1054M
ECP84102T-4	52	6350	SD	442	1056M
ECP84102T-5	53	6350	SD	443	1056M
ECP84103T-4	52	4228	SD	441	1052M
ECP84103T-5	53	4228	SD	345	1052M
ECP84104T-4	52	4979	SD	545	1060M
ECP84104T-5	53	4979	SD	489	1060M
ECP84106T-4	52	3742	SD	328	0954M
ECP84106T-5	53	3742	SD	324	0954M
ECP84107T-4	52	4575	SD	360	1048M
ECP84107T-5	53	4575	SD	429	1048M
ECP84108T-4	52	5480	SD	442	1048M
ECP84108T-5	53	5480	SD	422	1048M
ECP84109T-4	52	7498	SD	626	1256M
ECP84109T-5	53	7498	SD	624	1256M
ECP84110T-4	52	6629	SD	629	1260M
ECP84110T-5	53	6629	SD	635	1260M
ECP84111T-4	52	6692	SD	638	1264M
ECP84111T-5	53	6692	SD	623	1264M
ECP84114T-4	52	7821	SD	623	1266M
ECP84114T-5	54	7821	SD	662	1266M
ECP84115T-4	52	7783	SD	679	1272M
ECP84115T-5	54	7783	SD	653	1272M
ECP84117T-4	52	8709	SD	637	1266M
ECP84117T-5	53	8709	SD	635	1266M
ECP84308T-4	52	10662	SD	927	A36062M
ECP84308T-5	53	10662	SD	922	A36062M
ECP84310T-4	52	11558	SD	905	A36056M
ECP84310T-5	54	11558	SD	932	A36056M
ECP84312T-4	52	11355	SD	928	A36062M
ECP84312T-5	54	11355	SD	924	A36062M
ECP84313T-5	54	12802	SD	998	A36068M
ECP84314T-4	52	10335	SD	913	A36062M
ECP84314T-5	54	10335	SD	937	A36062M
ECP84316T-5	54	12019	SD	985	A36070M
ECP84400T-5	54	16043	SD	1304	A40064M
ECP84402T-5	54	15341	SD	1287	A40060M
ECP84403T-4	52	14718	SD	1271	A40064M
ECP84403T-5	54	14718	SD	1275	A40064M
ECP84404T-5	54	17827	SD	1283	A4072M

Catalog Number	Page Number	List Price	Mult Sym.	Ship Wgt ⁽¹⁾	Type Code
ECP84406T-5	54	21521	SD	1886	A44078M
ECP84407T-5	54	25892	SD	2606	A44120M
ECP84407TR-5	54	27119	SD	2618	A44120M
ECP84408T-5	54	33052	SD	2932	A44140M
ECP84408TR-5	54	34246	SD	2732	A44140M
ECP84409T-5	54	19609	SD	1885	A44062M
ECP84410T-5	54	18198	SD	1915	A44062M
ECP84411T-5	54	22257	SD	2000	A44076M
ECP84412T-5	54	17941	SD	1799	A44056M
ECP84413T-5	54	20617	SD	2062	A44078M
ECP844156TR-5	54	25964	SD	2595	A44120M
ECP84416T-5	54	27256	SD	2182	A44078M
ECP844206TR-5	54	34092	SD	3100	A44160M
ECP844252T-5	54	43915	SD	2784	A44128M
ECR9054T	61	808	ST	118	0640M
ECR9056T	61	1395	ST	226	0748M
ECR9074T	61	1139	ST	231	0748M
ECR9076T	61	2160	ST	320	0960M
ECR91004T-4	61	12229	ST	1390	A40076M
ECR91004TR-4	61	12229	ST	1390	A40076M
ECR91006TR-4	61	16353	ST	2029	A44084M
ECR91008TR-4	61	17450	ST	2129	A4490M
ECR9104T	61	1396	ST	240	0748M
ECR9106T	61	2509	ST	355	0962M
ECR91254T-4	61	15444	ST	1964	A44078M
ECR91254TR-4	61	15444	ST	1964	A44078M
ECR91256TR-4	61	18794	ST	1874	A44090M
ECR91258TR-4	61	22580	ST	2380	A44120M
ECR91504T-4	61	18224	ST	1996	A4488M
ECR91504TR-4	61	18224	ST	1996	A4488M
ECR91506TR-4	61	21592	ST	2459	A44112M
ECR91508TR-4	61	25938	ST	2648	A44160M
ECR9154T	61	1933	ST	286	0948M
ECR9156T	61	3443	ST	500	1068M
ECR92004T-4	62	22072	ST	2455	A44106M
ECR92004TR-4	62	22072	ST	2455	A44106M
ECR92006TR-4	62	26293	ST	3125	A44128M
ECR92008TR-4	62	32634	ST	3430	A44176M
ECR9204T	61	2303	ST	366	0962M
ECR9206T	61	4145	ST	535	1072M
ECR92504T-4	62	22387	ST	2694	A44128M
ECR92504TR-4	62	22387	ST	2694	A44128M
ECR92506TR-4	62	30113	ST	3225	A44160M
ECR92508TR-4	62	41194	ST	3390	A44208M
ECR9254T	61	2870	ST	380	1072M
ECR9256T	61	4956	ST	630	1272M
ECR93004T-4	62	31370	ST	2888	A44144M
ECR93004TR-4	62	31370	ST	2888	A44144M
ECR93006TR-4	62	39347	ST	3683	A44192M
ECR9304T	61	3375	ST	465	1072M

⁽¹⁾ Shipping weight is approximate.

Catalog Number	Page Number	List Price	Mult Sym.	Ship Wgt ⁽¹⁾	Type Code
ECR9306T	61	5522	ST	680	1272M
ECR93504T-4	62	34740	ST	3027	A44160M
ECR93504TR-4	62	34740	ST	3027	A44160M
ECR93506TR-4	62	43718	ST	3683	A44208M
ECR94004T-4	62	40396	ST	3875	A44192M
ECR94004TR-4	62	40396	ST	3875	A44192M
ECR9404T	61	4371	ST	645	1264M
ECR9406TR	61	7620	ST	918	A3668M
ECR9504T	61	5335	ST	700	1272M
ECR9506TR	61	8911	ST	930	A3668M
ECR9508TR	61	11302	ST	1322	A40060M
ECR9604T	61	7504	ST	977	A36068M
ECR9604TR	61	7504	ST	977	A36068M
ECR9606TR	61	10992	ST	1322	A40064M
ECR9608TR	61	12780	ST	1420	A4064M
ECR9754T	61	9107	ST	962	A3668M
ECR9754TR	61	9107	ST	962	A3668M
ECR9756TR-4	61	12615	ST	1422	A40064M
ECR9758TR-4	61	15648	ST	1874	A44076M
ECTM2276T	146	2802	L1	290	0954M
ECTM2332T	146	3201	L1	297	0960M
ECTM2333T	146	2944	L1	278	0944M
ECTM2334T	146	3284	L1	293	0952M
ECTM3665T	146	1239	L1	108	0641M
ECTM3768T	146	1968	L1	227	0748M
ECTM3770T	146	1653	L1	170	0735M
ECTM3774T	146	2218	L1	231	0748M
ECTM4100T	146	4268	L1	345	1042M
ECTM4103T	146	4042	L1	378	1046M
ECTM4104T	146	4797	L1	410	1056M
ECTM4110T	146	6273	L1	553	1254M
ECTM4115T	146	7500	L1	598	1272M
ECTM4314T	146	9863	L1	835	A36062M
EDM3546	58	976	SD	35	
EFM2333T	41	2306	L1	256	0944M
EFM2334T	41	2796	L1	276	0952M
EFM2394T	41	2520	L1	256	0930M
EFM2513T	41	2367	L1	214	3938M
EFM2513T-8	42	2394	L1	209	3938M
EFM2515T	41	2597	L1	226	3944M
EFM2515T-8	42	2627	L1	226	3944M
EFM2531T	41	3166	L1	313	4050M
EFM2535T	41	3462	L1	339	4052M
EFM2539T	41	4516	L1	392	4064M
EFM2543T	41	4983	L1	547	4256M
EFM2547T	41	6274	L1	622	4278M
EFM3116T	41	711	L1	35	3519M
EFM3154T	41	743	L1	38	3522M
EFM3157T	41	796	L1	40	3525M
EFM3157T-8	42	804	L1	40	3525M

Catalog Number	Page Number	List Price	Mult Sym.	Ship Wgt ⁽¹⁾	Type Code
EFM3211T	41	858	L1	68	3630M
EFM3211T-8	42	870	L1	70	3630M
EFM3212T	41	794	L1	61	3623M
EFM3218T	41	940	L1	84	3640M
EFM3218T-8	42	956	L1	82	3640M
EFM3219T	41	1259	L1	77	3632M
EFM3311T	41	1381	L1	114	3733M
EFM3311T-8	42	1401	L1	111	3733M
EFM3312T	41	1440	L1	107	3728M
EFM3313T	41	1672	L1	125	3739M
EFM3313T-8	42	1696	L1	127	3739M
EFM3314T	41	2045	L1	123	3734M
EFM3546T	41	738	L1	35	3519M
EFM3554T	41	820	L1	41	3526M
EFM3558T	41	867	L1	41	3528M
EFM3610T	41	882	L1	73	3532M
EFM3611T	41	890	L1	73	3631M
EFM3613T	41	978	L1	75	3630M
EFM3615T	41	919	L1	91	3642M
EFM3709T	41	1465	L1	128	3728M
EFM3710T	41	1326	L1	128	3738M
EFM3711T	41	1485	L1	119	3729M
EFM3714T	41	1497	L1	165	3752M
EFM4100T	41	3880	L1	372	1046M
EFM4102T	41	5166	L1	437	1054M
EFM4103T	41	3657	L1	452	1046M
EFM4104T	41	4338	L1	300	1056M
EFM4110T	41	5673	L1	572	1254M
EFM4114T	41	6429	L1	578	1252M
EFM4115T	41	6199	L1	640	1272M
EFM4308T	41	8414	L1	899	A36062M
EFM4312T	41	10167	L1	868	A36062M
EFM4314T	41	8919	L1	800	A36062M
EFM4316T	41	10429	L1	840	A36068M
EFM4400T	41	12952	L1	1160	A40064M
EFM4403T	41	12341	L1	1322	A40064M
EFM4404T	41	14371	L1	1300	A4072M
EFM4409T-4	41	17345	L1	1625	A44064M
EGDM2333T	156	3393	L1	255	0944M
EGDM2334T	156	3592	L1	303	0952M
EGDM2513T	156	2580	L1	239	3938M
EGDM2515T	156	2986	L1	245	3944M
EGDM2531T	156	3692	L1	375	4050M
EGDM2535T	156	4130	L1	382	4052M
EGDM3218T	156	1073	L1	92	3640M
EGDM3311T	156	1573	L1	120	3733M
EGDM3313T	156	1864	L1	132	3739M
EGDM3615T	156	1407	L1	95	3642M
EGDM3661T	156	1376	L1	105	0632M
EGDM3665T	156	1568	L1	119	0641M

⁽¹⁾ Shipping weight is approximate.

Baldor
Mod Express

ABB
Mod Express

ABB ATEX
Mod Express

Product
Index

Baldor
Sales Offices

Catalog Number	Page Number	List Price	Mult Sym.	Ship Wgt ⁽¹⁾	Type Code
EGDM3710T	156	1732	L1	127	3738M
EGDM3714T	156	2515	L1	165	3752M
EGDM3770T	156	1929	L1	170	0735M
EGDM3774T	156	2775	L1	231	0748M
EGDM4103T	156	4523	L1	422	1046M
EGDM4104T	156	5302	L1	460	1056M
EGDM4110T	156	7030	L1	578	1254M
EGDM4115T	156	7271	L1	608	1272M
EHF2515T	143	2612	LS	227	3944M
EHF2523T	143	2087	LS	212	3938M
EHF2523T-8	144	2082	LS	211	3938M
EHF2531T	143	3177	LS	301	4050M
EHF2535T	143	3473	LS	328	4052M
EHF2539T	143	4519	LS	429	4064M
EHF2543T	143	5544	LS	466	4256M
EHF3157T	143	726	LS	49	3525M
EHF3211T	143	779	LS	68	3630M
EHF3218T	143	846	LS	82	3640M
EHF3311T	143	1230	LS	115	3733M
EHF3313T	143	1480	LS	127	3739M
EHM2276T	145	2583	L1	294	0954M
EHM2332T	145	2943	L1	290	0960M
EHM2333T	145	2332	LS	250	0944M
EHM2333T-5	145	2332	LS	255	0944M
EHM2334T	145	2821	LS	288	0952M
EHM2334T-5	145	2821	LS	286	0952M
EHM2506T	143	1773	L1	248	3950M
EHM2511T	143	2297	L1	260	3954M
EHM2515T	143	2612	LS	225	3944M
EHM2515T-8	144	2612	LS	226	3944M
EHM2523T	143	2087	LS	212	3938M
EHM2523T-8	144	2087	LS	210	3938M
EHM2524T	143	3085	L1	285	4038M
EHM2528T	143	3747	L1	375	4044M
EHM2531T	143	3177	LS	345	4050M
EHM2531T-8	144	3177	LS	369	4050M
EHM2532T	143	4519	L1	393	4072M
EHM2535T	143	3473	LS	339	4052M
EHM2535T-8	144	3473	LS	331	4052M
EHM2536T	143	4712	L1	482	4084M
EHM2539T	143	4519	LS	433	4064M
EHM2539T-8	144	4519	LS	434	4250M
EHM2543T	143	5544	LS	469	4256M
EHM2543T-8	144	5544	LS	459	4256M
EHM2547T	143	6268	LS	582	4272M
EHM2551T	143	7687	LS	752	4462M
EHM2555T	143	8762	LS	911	4476M
EHM3116T	143	651	LS	35	3519M
EHM3116T-8	144	651	LS	34	3519M
EHM3154T	143	676	LS	37	3522M

Catalog Number	Page Number	List Price	Mult Sym.	Ship Wgt ⁽¹⁾	Type Code
EHM3154T-8	144	676	LS	38	3522M
EHM3157T	143	726	LS	41	3525M
EHM3157T-8	144	726	LS	41	3525M
EHM3211T	143	779	LS	72	3630M
EHM3211T-8	144	779	LS	71	3630M
EHM3218T	143	846	LS	85	3640M
EHM3218T-8	144	846	LS	85	3640M
EHM3218TA	151	1076	L1	84	3640M
EHM3305T	143	1141	L1	114	3733M
EHM3309T	143	1485	L1	141	3744M
EHM3311T	143	1230	LS	115	3733M
EHM3311T-8	144	1230	LS	115	3733M
EHM3313T	143	1480	LS	127	3739M
EHM3313T-8	144	1480	LS	120	3739M
EHM3546T	145	734	LS	37	3519M
EHM3546T-5	145	734	LS	37	3519M
EHM3554T	145	737	LS	44	3526M
EHM3554T-5	145	737	LS	44	3526M
EHM3558T	145	789	LS	46	3528M
EHM3558T-5	145	789	LS	47	3528M
EHM3611T	145	869	LS	73	3631M
EHM3611T-5	145	869	LS	74	3631M
EHM3615T	145	949	LS	93	3642M
EHM3615T-5	145	949	LS	92	3642M
EHM3708T	145	1558	L1	154	3748M
EHM3710T	145	1353	LS	128	3738M
EHM3710T-5	145	1353	LS	127	3738M
EHM3714T	145	1526	LS	165	3752M
EHM3714T-5	145	1526	LS	165	3752M
EHM4100T	145	3914	L1	400	1046M
EHM4102T	145	5201	L1	457	1054M
EHM4103T	145	3680	LS	430	1056M
EHM4103T-5	145	3680	LS	397	1052M
EHM4104T	145	4360	LS	423	1060M
EHM4104T-5	145	4360	LS	395	1056M
EHM4110T	145	5691	LS	612	1264M
EHM4110T-5	145	5691	LS	575	1254M
EHM4111T	145	5879	L1	465	1072M
EHM4115T	145	6198	LS	622	1272M
EHM4115T-5	145	6198	LS	622	1266M
EHPM3615T	134	1040	L1	93	3642M
EHPM3710T	134	1447	L1	127	3738M
EHPM3714T	134	1618	L1	165	3752M
EIM3540A	158	813	K		
EIM3540A-P	158	813	K		
EJM3545	117	651	K	27	3420M
EJM3546	117	748	K	37	3522M
EJM3550	117	736	K	38	3520M
EJM3554	117	830	K	41	3526M
EJM3555	117	805	K	41	3526M

⁽¹⁾ Shipping weight is approximate.

Catalog Number	Page Number	List Price	Mult Sym.	Ship Wgt ⁽¹⁾	Type Code
EJM3558	117	877	K	48	3530M
EJM3559	117	881	K	50	3532M
EJM7013	107	1056	K	32	3418M
EJM7018	107	1076	K	47	3520M
EJM7071	107	1127	K	55	3526M
EJMM2333T	123	3064	L1	265	0944M
EJMM2333T-5	124	3020	L1	268	0944M
EJMM2333T-G	121	3357	L1	265	0944M
EJMM2334T	123	3457	L1	304	0952M
EJMM2334T-G	121	3750	L1	308	0952M
EJMM2394T	123	3091	L1	257	0930M
EJMM2394T-5	124	3234	L1	225	0750M
EJMM2394T-G	121	3384	L1	260	0930M
EJMM2506T	126	2453	L1	248	3950M
EJMM2511T	127	2977	L1	255	3954M
EJMM2513T	127	2511	L1	214	3938M
EJMM2513T-G	121	2804	L1	213	3938M
EJMM2514T	127	2793	L1	195	3928M
EJMM2515T	127	3008	L1	248	3944M
EJMM2516T	127	3310	L1	219	3938M
EJMM2524T	127	3907	L1	300	4038M
EJMM2531T	127	3578	L1	317	4050M
EJMM2534T	127	4207	L1	309	3948M
EJMM2535T	127	4286	L1	359	4052M
EJMM2538T	127	5065	L1	328	3956M
EJMM2539T	127	5210	L1	417	4064M
EJMM2542T	128	5710	L1	421	4248M
EJMM2543T	128	6025	L1	491	4256M
EJMM2546T	128	7095	L1	472	4250M
EJMM3116T	126	707	L1	38	3519M
EJMM3116T-G	121	873	L1	37	3519M
EJMM3120T	126	763	L1	34	3518M
EJMM3154T	126	765	L1	38	3522M
EJMM3154T-G	121	931	L1	41	3522M
EJMM3155T	126	846	L1	44	3524M
EJMM3157T	126	837	L1	44	3525M
EJMM3157T-G	121	1003	L1	44	3525M
EJMM3158T	126	950	L1	49	3530M
EJMM3158T-5	128	878	L1	48	3528M
EJMM3158T-G	121	1116	L1	51	3530M
EJMM3211T	126	926	L1	72	3630M
EJMM3211T-5	128	1114	L1	74	3630M
EJMM3211T-G	121	1134	L1	74	3630M
EJMM3212T	126	1132	L1	64	3623M
EJMM3212T-5	128	1050	L1	63	3623M
EJMM3212T-G	121	1340	L1	64	3623M
EJMM3218T	126	1047	L1	87	3640M
EJMM3218T-5	128	1196	L1	92	3640M
EJMM3218T-G	121	1255	L1	88	3640M
EJMM3219T	126	1338	L1	78	3632M

Catalog Number	Page Number	List Price	Mult Sym.	Ship Wgt ⁽¹⁾	Type Code
EJMM3219T-5	128	1515	L1	77	3632M
EJMM3219T-G	121	1546	L1	78	3632M
EJMM3309T	126	1785	L1	141	3744M
EJMM3311T	126	1570	L1	120	3733M
EJMM3311T-5	128	1715	L1	120	3733M
EJMM3311T-G	121	1831	L1	120	3733M
EJMM3312T	127	1723	L1	120	3728M
EJMM3312T-5	128	1774	L1	137	3728M
EJMM3312T-G	121	1984	L1	121	3728M
EJMM3313T	127	1698	L1	136	3739M
EJMM3313T-5	128	2006	L1	132	3739M
EJMM3313T-G	121	1959	L1	132	3739M
EJMM3314T	127	2218	L1	131	3734M
EJMM3314T-5	128	2379	L1	131	3734M
EJMM3314T-G	121	2479	L1	134	3734M
EJMM3546T	122	827	L1	40	3519M
EJMM3546T-5	124	889	L1	38	3519M
EJMM3550T	122	822	L1	47	3520M
EJMM3550T-5	124	877	L1	38	3520M
EJMM3554T	122	881	L1	44	3526M
EJMM3554T-5	124	971	L1	41	3526M
EJMM3555T	122	882	L1	47	3526M
EJMM3555T-5	124	946	L1	41	3526M
EJMM3558T	122	900	L1	50	3528M
EJMM3558T-5	124	1018	L1	45	3528M
EJMM3559T	122	947	L1	54	3532M
EJMM3559T-5	124	1022	L1	50	3532M
EJMM3610T	122	949	L1	56	3532M
EJMM3610T-5	124	1138	L1	63	3622M
EJMM3610T-G	121	1157	L1	60	3532M
EJMM3611T	122	1044	L1	76	3631M
EJMM3611T-5	124	1096	L1	70	3631M
EJMM3611T-G	121	1252	L1	76	3631M
EJMM3613T	122	1125	L1	79	3630M
EJMM3613T-5	124	1234	L1	74	3630M
EJMM3613T-G	121	1333	L1	81	3630M
EJMM3615T	122	1047	L1	93	3642M
EJMM3615T-5	124	1175	L1	93	3642M
EJMM3615T-G	121	1255	L1	93	3642M
EJMM3616T	122	1392	L1	101	3646M
EJMM3616T-5	124	1546	L1	96	3646M
EJMM3709T	122	1474	L1	125	3728M
EJMM3709T-G	121	1735	L1	124	3728M
EJMM3710T	122	1593	L1	134	3738M
EJMM3710T-5	124	1660	L1	127	3738M
EJMM3710T-G	121	1854	L1	134	3738M
EJMM3711T	123	1692	L1	130	3729M
EJMM3711T-5	124	1819	L1	118	3729M
EJMM3711T-G	121	1953	L1	124	3729M
EJMM3713T	123	2549	L1	169	3752M

⁽¹⁾ Shipping weight is approximate.

Baldor
Mod Express

ABB
Mod Express

ABB ATEX
Mod Express

Product
Index

Baldor
Sales Offices

Catalog Number	Page Number	List Price	Mult Sym.	Ship Wgt ⁽¹⁾	Type Code
EJMM3713T-5	124	2429	L1	169	3752M
EJMM3714T	123	1872	L1	165	3752M
EJMM3714T-5	124	1831	L1	165	3752M
EJMM3714T-G	121	2133	L1	165	3752M
EJMM4103T	123	4097	L1	387	1046M
EJMM4104T	123	4854	L1	422	1056M
EJMM4106T	123	3404	L1	281	0936M
EJMM4106T-G	121	3697	L1	274	0936M
EJMM4107T	123	3955	L1	353	0946M
EJMM4108T	123	5439	L1	406	1042M
EJMM4109T	123	6159	L1	487	1058M
EJMM4110T	123	6310	L1	586	1254M
EJMM4114T	124	7453	L1	595	1252M
EJMM4115T	124	7585	L1	624	1272M
EJMM7026T	108	1895	L1	90	3622M
EJMM7045T	108	3002	L1	170	3728M
EJMM7072T	108	2278	L1	112	3630M
EJMM7073T	108	2561	L1	120	3646M
EJMM7074T	108	3399	L1	175	3729M
EJMM7075T	108	1686	L1	72	3532M
EJPM2333T	123	3064	L1	265	0944M
EJPM2334T	123	3457	L1	300	0952M
EJPM2394T	123	3091	L1	260	0930M
EJPM2513T	127	2511	L1	219	3938M
EJPM2514T	127	2793	L1	220	3928M
EJPM2515T	127	3008	L1	236	3944M
EJPM2516T	127	3310	L1	230	3938M
EJPM2531T	127	3578	L1	335	4050M
EJPM2534T	127	4207	L1	310	3948M
EJPM2535T	127	4286	L1	370	4052M
EJPM2538T	127	5065	L1	329	3956M
EJPM2539T	127	5210	L1	378	4064M
EJPM2542T	128	5710	L1	424	4248M
EJPM2543T	128	6025	L1	500	4256M
EJPM2547T	128	7451	L1	565	4278M
EJPM2551T	128	8878	L1	597	4462M
EJPM3116T	126	862	L1	38	3519M
EJPM3154T	126	894	L1	37	3522M
EJPM3157T	126	947	L1	43	3525M
EJPM3158T	126	878	L1	48	3528M
EJPM3211T	126	1114	L1	74	3630M
EJPM3212T	126	1050	L1	63	3623M
EJPM3218T	126	1196	L1	92	3640M
EJPM3219T	126	1515	L1	77	3632M
EJPM3311T	126	1715	L1	130	3735M
EJPM3312T	127	1723	L1	122	3728M
EJPM3313T	127	1698	L1	138	3739M
EJPM3314T	127	2218	L1	134	3734M
EJPM3554T	122	971	L1	41	3526M
EJPM3555T	122	946	L1	41	3526M

Catalog Number	Page Number	List Price	Mult Sym.	Ship Wgt ⁽¹⁾	Type Code
EJPM3558T	122	1018	L1	48	3530M
EJPM3559T	122	1022	L1	50	3532M
EJPM3610T	122	1138	L1	50	3532M
EJPM3611T	122	1146	L1	70	3631M
EJPM3613T	122	1234	L1	81	3634M
EJPM3615T	122	1175	L1	96	3644M
EJPM3616T	122	1546	L1	96	3646M
EJPM3709T	122	1799	L1	121	3728M
EJPM3710T	122	1660	L1	129	3738M
EJPM3711T	123	1819	L1	118	3729M
EJPM3713T	123	2429	L1	169	3752M
EJPM3714T	123	1872	L1	165	3752M
EJPM4103T	123	4097	L1	412	1046M
EJPM4104T	123	4854	L1	452	1056M
EJPM4106T	123	3404	L1	264	0932M
EJPM4107T	123	3955	L1	349	0946M
EJPM4108T	123	5439	L1	405	1038M
EJPM4109T	123	6159	L1	498	1058M
EJPM4110T	123	6310	L1	602	1254M
EJPM4114T	124	7453	L1	604	1252M
EJPM4115T	124	7585	L1	646	1272M
EJPM71147T-I	107	2804	L1	225	0735M
EJPM71147T-I-5	107	2804	L1	228	0737M
EJPM71170T-I	107	3473	L1	252	0750M
EJPM71170T-I-5	107	3473	L1	252	0750M
EJPM7142T-I	107	2112	L1	127	0632M
EJPM7142T-I-5	107	2112	L1	127	
EJPM7144T-I	107	2472	L1	152	0641M
EJPM7144T-I-5	107	2472	L1	152	0641M
EL11203	15	383	K	19	3411LC
EL11204	15	456	K	25	3416LC
EL11205	15	404	K	24	3413LC
EL11206	15	412	K	27	3418LC
EL11207	15	487	K	27	3421LC
EL11208	15	430	K	24	3413LC
EL11209	15	462	K	32	3424LC
EL11300	15	475	K	25	3416LC
EL11301	15	412	K	27	3418LC
EL11302	15	487	K	30	3421LC
EL11303	15	430	K	24	3413LC
EL11304	15	462	K	32	3424LC
EL11305	15	732	K	46	3526LC
EL11306	15	450	K	39	3428LC
EL11307	15	550	K	39	3524LC
EL11308	15	824	K	47	3530LC
EL11309	15	528	K	43	3524LC
EL11313	15	600	K	52	3532LC
EL11313A	15	625	K	52	3532LC
EL11317	16	663	K	66	3540LC
EL11317A	16	688	K	66	3540LC

⁽¹⁾ Shipping weight is approximate.

Catalog Number	Page Number	List Price	Mult Sym.	Ship Wgt ⁽¹⁾	Type Code
EL11318	15	634	K	44	3528LC
EL11318M	15	658	K	44	3528LC
EL11319	15	755	K	59	3540LC
EL1319T	15	839	L1	50	3535LC
EL1405T	16	1014	L1	65	3623LC
EL1406T	16	1068	L1	70	3628LC
EL1408T	16	1062	L1	81	3634LC
EL1409T	16	1268	L1	79	3634LC
EL1410T	16	1213	L1	97	3646LC
EL3403	12	420	K	24	3414LC
EL3405	12	402	K	27	3420LC
EL3501	12	464	K	27	3418LC
EL3503	12	455	K	23	3413LC
EL3504	12	547	K	30	3424LC
EL3506	12	512	K	29	3424LC
EL3507	12	666	K	44	3528LC
EL3509	13	591	K	38	3520LC
EL3510	13	765	K	45	3532LC
EL3514	13	871	K	58	3540LC
EL3514T	13	871	L1	58	3540LC
EL3515T	13	1022	L1	65	3535LC
EL3605T	13	1191	L1	66	3623LC
EL3606T	13	1112	L1	79	3634LC
EL3608T	13	1533	L1	91	3640LC
EL3609T	13	1390	L1	89	3640LC
EL3612T	13	1658	L1	97	3646LC
EM2237	168	2763	L1	255	0936M
EM2238	168	3463	L1	255	0936M
EM2275	168	3245	L1	226	0748M
EM2276	168	3901	L1	295	0954M
EM2276T	20	2549	L1	278	0954M
EM2276T-BG	137	2812	L1	310	0954M
EM2276T-G	139	2842	L1	281	0954M
EM2280T	20	3633	L1	256	0940M
EM2332T	20	2909	L1	290	0960M
EM2332T-BG	137	3172	L1	322	0960M
EM2332T-G	139	3202	L1	322	0960M
EM2333	168	4767	L1	268	0944M
EM2333T	20	2306	LS	270	0944M
EM2333T-5	24	2306	LS	258	0944M
EM2333T-58	200	2514	L1	291	0948M
EM2333T-5G	140	2599	L1	250	0944M
EM2333T-8	23	2306	L1	255	0936M
EM2333T-8G	140	2599	L1	254	0936M
EM2333T-BG	137	2569	L1	274	0944M
EM2333T-G	139	2599	L1	270	0944M
EM2334	168	5705	L1	303	0952M
EM2334T	20	2796	LS	289	0952M
EM2334T-12	20	3142	L1	291	0952M
EM2334T-5	24	2796	LS	290	0952M

Catalog Number	Page Number	List Price	Mult Sym.	Ship Wgt ⁽¹⁾	Type Code
EM2334T-58	200	3048	L1	304	0956M
EM2334T-5G	140	3089	L1	293	0952M
EM2334T-8	23	2796	L1	292	0952M
EM2334T-BG	137	3059	L1	290	0952M
EM2334T-G	139	3089	L1	295	0952M
EM2394T	20	2520	L1	241	0930M
EM2394T-5	24	2520	L1	245	0930M
EM2394T-8	23	2520	L1	240	0930M
EM2394T-BG	137	2783	L1	253	0930M
EM2394T-G	139	2813	L1	239	0930M
EM2395T	20	6468	L1	455	1060M
EM2401T	20	4006	L1	320	0960M
EM2402T	20	4651	L1	391	1046M
EM2504T	34	2879	L1	240	3948M
EM2506T	34	1739	L1	239	3950M
EM2506T-BG	138	2002	L1	248	3950M
EM2506T-G	141	2032	L1	243	3950M
EM2508T	34	3603	L1	260	3962M
EM251152T-4	74, 163	13117	L1	1140	A40058M
EM2511T	34	2263	L1	255	3954M
EM2511T-BG	138	2526	L1	255	3954M
EM2511T-G	141	2556	L1	255	3954M
EM251202T-4	74, 163	14864	L1	1737	A44056M
EM251252T-4	74, 163	17437	L1	1539	A44068M
EM251302T-4	74, 163	27254	L1	1899	A44084M
EM251352T-4	74, 163	31190	L1	1899	A44084M
EM2513T	34	2367	LS	211	3938M
EM2513T-5	37	2367	LS	273	3938M
EM2513T-58	201	2581	L1	230	3942M
EM2513T-5G	142	2660	L1	210	3938M
EM2513T-8	36	2394	L1	209	3938M
EM2513T-8G	142	2660	L1	234	3938M
EM2513T-BG	138	2630	L1	234	3938M
EM2513T-CI	34	2253	L1	238	0936M
EM2513T-G	141	2660	L1	210	3938M
EM251402T-4	74, 163	36592	L1	4000	A44112M
EM251452T-4	74, 163	40294	L1	4000	A44112M
EM2514T	34	2402	L1	191	3928M
EM2514T-8	36	2431	L1	190	3928M
EM2514T-G	141	2695	L1	195	3928M
EM251502T-4	74, 163	44548	L1	2595	A44128M
EM2515T	34	2597	L1	225	3944M
EM2515T-12	34	2943	L1	225	3944M
EM2515T-5	37	2597	L1	227	3944M
EM2515T-58	201	2831	L1	275	3956M
EM2515T-5G	142	2890	L1	250	3944M
EM2515T-8	36	2627	L1	227	3944M
EM2515T-8G	142	2890	L1	250	3944M
EM2515T-BG	138	2860	L1	228	3944M
EM2515T-CI	34	2831	L1	281	0946M

⁽¹⁾ Shipping weight is approximate.

Baldor
Mod Express

ABB
Mod Express

ABB ATEX
Mod Express

Product
Index

Baldor
Sales Offices

Catalog Number	Page Number	List Price	Mult Sym.	Ship Wgt ⁽¹⁾	Type Code
EM2515T-G	141	2890	L1	227	3944M
EM2516T	34	2884	L1	222	3938M
EM2516T-8	36	2916	L1	220	3938M
EM2516T-G	141	3177	L1	212	3938M
EM2524T	34	3051	L1	278	4038M
EM2524T-BG	138	3350	L1	300	4038M
EM2524T-G	141	3428	L1	280	4038M
EM25254T-4	35	17108	L1	2036	A44100M
EM2528T	34	3713	L1	302	4044M
EM2528T-BG	138	4012	L1	321	4044M
EM2528T-G	141	4090	L1	299	4044M
EM2531T	34	3166	L1	331	4050M
EM2531T-12	34	3715	L1	307	4050M
EM2531T-5	37	3166	L1	312	4050M
EM2531T-5G	142	3543	L1	328	4050M
EM2531T-8	36	3199	L1	333	4050M
EM2531T-8G	142	3543	L1	330	4050M
EM2531T-BG	138	3465	L1	387	4050M
EM2531T-CI	34	3451	L1	382	1046M
EM2531T-G	141	3543	L1	314	4050M
EM2532T	34	4485	L1	411	4072M
EM2532T-G	141	4941	L1	384	4072M
EM2534T	34	3404	L1	308	4040M
EM2534T-8	36	3439	L1	320	4040M
EM2534T-G	141	3781	L1	310	4040M
EM2535T	34	3462	L1	335	4052M
EM2535T-12	34	4011	L1	339	4052M
EM2535T-5	37	3462	L1	333	4052M
EM2535T-5G	142	3839	L1	340	4052M
EM2535T-8	36	3498	L1	278	4052M
EM2535T-8G	142	3839	L1	340	4052M
EM2535T-BG	138	3761	L1	341	4052M
EM2535T-CI	34	3773	L1	240	1050M
EM2535T-G	141	3839	L1	340	4052M
EM2536T	34	4678	L1	380	4084M
EM2536T-G	141	5134	L1	457	4084M
EM2538T	34	4385	L1	329	4046M
EM2538T-8	36	4423	L1	362	4046M
EM2538T-CI	34	4780	L1	402	1046M
EM2538T-G	141	4762	L1	328	4046M
EM2539T	34	4516	L1	396	4064M
EM2539T-12	34	5367	L1	397	4064M
EM2539T-5	37	4516	L1	397	4064M
EM2539T-5G	142	4972	L1	400	4064M
EM2539T-8	36	4555	L1	434	4064M
EM2539T-8G	142	4972	L1	390	4064M
EM2539T-BG	138	4882	L1	324	4064M
EM2539T-CI	34	4923	L1	538	1250M
EM2539T-G	141	4972	L1	392	4064M
EM25402T-4	35	36592	L1	4000	A44112M

Catalog Number	Page Number	List Price	Mult Sym.	Ship Wgt ⁽¹⁾	Type Code
EM25404T-4	35	33445	L1	2677	A44140M
EM2540T	34	6327	L1	598	4278M
EM2540T-CI	34	6664	L1	801	A36062M
EM2540T-G	141	7170	L1	606	4278M
EM2542T	34	4776	L1	394	4058M
EM2542T-8	36	4817	L1	375	4058M
EM2542T-CI	34	5416	L1	548	1250M
EM2542T-G	141	5232	L1	392	4058M
EM2543T	34	4983	L1	467	4256M
EM2543T-12	34	5834	L1	468	4256M
EM2543T-5	37	4983	L1	465	4256M
EM2543T-8	36	5025	L1	467	4256M
EM2543T-BG	138	5349	L1	497	4256M
EM2543T-CI	34	5433	L1	570	1256M
EM2543T-G	141	5439	L1	473	4256M
EM2543TS-12	34	5834	L1	469	4256M
EM2544T	34	7641	L1	762	4466M
EM2544T-CI	34	8068	L1	722	A36052M
EM25452T-4	35	40294	L1	4000	A44112M
EM25454T-4	35	37824	L1	2888	A44144M
EM2546T	35	6043	L1	458	4250M
EM2547T	35	6274	L1	615	4278M
EM2547T-12	35	7612	L1	620	4278M
EM2547T-5	37	6274	L1	430	4278M
EM2547T-8	36	6319	L1	623	4278M
EM2547T-CI	35	6838	L1	745	A36050M
EM2547T-G	141	7117	L1	616	4278M
EM2547TS-12	35	7612	L1	613	4278M
EM2548T	35	9413	L1	888	4480M
EM2548T-4CI	35	10242	L1	1009	A40052M
EM2549T	35	7926	L1	502	4254M
EM2550T	35	8473	L1	562	4266M
EM2551T	35	7701	L1	744	4462M
EM2551T-12	35	9039	L1	758	4462M
EM2551T-5	37	7701	L1	740	4462M
EM2551T-8	36	7749	L1	783	A36056M
EM2551T-CI	35	8392	L1	762	A36056M
EM2551T-G	141	8543	L1	750	4462M
EM2551TS-12	35	9039	L1	749	4462M
EM2552T-4	35	11403	L1	1067	A40064M
EM2554T-4	35	10633	L1	894	4476M
EM2554T-4CI	35	12687	L1	997	A40048M
EM2555T	35	8959	L1	930	4484M
EM2555T-12	35	10902	L1	946	4484M
EM2555T-4	35	8959	L1	896	4476M
EM2555T-4G	141	10158	L1	898	4476M
EM2555T-5	37	8959	L1	943	4484M
EM2555T-8	36	9010	L1	906	4476M
EM2555T-CI	35	9765	L1	1038	A40052M
EM2555TS-12	35	10902	L1	941	4484M

⁽¹⁾ Shipping weight is approximate.

Catalog Number	Page Number	List Price	Mult Sym.	Ship Wgt ⁽¹⁾	Type Code
EM2556T-4	35	13117	L1	980	4464M
EM2557T-4	35	13555	L1	1513	A44062M
EM2558T-4	35	12208	L1	1528	A44062M
EM2558T-5	37	12208	L1	1535	A44062M
EM2558TS-4	35	12208	L1	1519	A44062M
EM2559T-4	35	10991	L1	955	4488M
EM2559T-4CI	35	11978	L1	1118	A40064M
EM2559T-5	37	10991	L1	960	4488M
EM2559TS-4	35	10991	L1	1238	4488M
EM2560T-4	35	15963	L1	1572	A44072M
EM2562T-4	35	14864	L1	1364	A44056M
EM2563T-4	35	15256	L1	1625	A44072M
EM2564T-4	35	20984	L1	1827	A44090M
EM2565T-4	35	17437	L1	1539	A44068M
EM2568T-4	35	27254	L1	1539	A44068M
EM25694T-4	35	26089	L1	2151	A44112M
EM2571T-4	35	31190	L1	4000	A44112M
EM2572T-4	35	30816	L1	2694	A44128M
EM2583T-4	35	12551	L1	1455	A44056M
EM30003	33	427	K	21	3413M
EM30004	33	472	K	24	3416M
EM30006	33	448	K	22	3413M
EM30007	33	451	K	24	3416M
EM30008	33	494	K	27	3421M
EM30009	33	482	K	24	3416M
EM30010	33	497	K	31	3424M
EM30011	33	543	K	34	3428M
EM30012	33	480	K	22	3416M
EM31101	33	472	K	24	3416M
EM31104	33	451	K	24	3416M
EM31104-5	37	451	K	24	3416M
EM31105	33	494	K	27	3421M
EM31107	33	482	K	24	3416M
EM31108	33	497	K	31	3424M
EM31108-5	37	497	K	31	3424M
EM31109	33	543	K	34	3428M
EM31111	33	480	K	24	3416M
EM31112	33	547	K	32	3516M
EM31112-5	37	547	K	33	3513M
EM31115	33	492	K	27	3420M
EM31115-G	141	703	K	27	3420M
EM31116	33	576	K	29	3520M
EM31116-5	37	576	K	38	3519M
EM31120	33	508	K	34	3518M
EM31153	33	668	K	39	3524M
EM31154	33	631	K	36	3526M
EM31154A	33	698	K	41	3526M
EM31155	33	572	K	43	3524M
EM31156	33	842	K	41	3526M
EM31157	33	662	K	45	3530M

Catalog Number	Page Number	List Price	Mult Sym.	Ship Wgt ⁽¹⁾	Type Code
EM31158	34	641	K	50	3528M
EM31159	33	810	K	54	3540M
EM3116-57	201	569	K	34	3518M
EM3116T	33	711	LS	34	3519M
EM3116T-5	37	711	LS	34	3519M
EM3116T-57	201	572	L1	34	3518M
EM3116T-5G	142	877	L1	38	3519M
EM3116T-8	36	711	L1	34	3519M
EM3116T-8G	142	877	L1	38	3519M
EM3116T-BG	138	877	L1	38	3519M
EM3116T-G	141	877	L1	34	3519M
EM3120T	33	612	L1	33	3518M
EM3120T-G	141	778	L1	34	3518M
EM3154T	33	743	LS	37	3522M
EM3154T-5	37	743	LS	37	3522M
EM3154T-57	201	608	L1	41	3526M
EM3154T-5G	142	909	L1	37	3522M
EM3154T-8	36	747	L1	37	3522M
EM3154T-8G	142	909	L1	37	3522M
EM3154T-BG	138	909	L1	37	3522M
EM3154T-G	141	909	L1	38	3522M
EM3155T	33	718	L1	41	3524M
EM3155T-BG	138	884	L1	43	3524M
EM3155T-G	141	884	L1	41	3524M
EM3156T	33	727	L1	36	3524M
EM3156T-G	141	893	L1	40	3524M
EM3157T	33	796	LS	40	3525M
EM3157T-5	37	796	LS	39	3525M
EM3157T-57	201	625	L1	45	3528M
EM3157T-5G	142	962	L1	43	3525M
EM3157T-8	36	804	L1	40	3525M
EM3157T-8G	142	962	L1	43	3525M
EM3157TA	33	876	L1	44	3528M
EM3157T-BG	138	962	L1	43	3525M
EM3157T-G	141	962	L1	41	3525M
EM3158T	34	727	L1	46	3530M
EM3158T-8	36	738	L1	51	3530M
EM3158T-BG	138	893	L1	51	3530M
EM3158T-G	141	893	L1	46	3530M
EM3207T	33	851	L1	66	3628M
EM3207T-G	141	1048	L1	67	3628M
EM3211T	34	858	LS	69	3630M
EM3211T-5	37	858	LS	69	3630M
EM3211T-57	201	715	L1	74	3630M
EM3211T-5G	142	1055	L1	74	3630M
EM3211T-8	36	870	L1	71	3630M
EM3211T-8G	142	1055	L1	74	3630M
EM3211TA	34	938	L1	65	3631M
EM3211T-BG	138	1055	L1	74	3630M
EM3211T-G	141	1055	L1	72	3630M

⁽¹⁾ Shipping weight is approximate.

Baldor
Mod Express

ABB
Mod Express

ABB ATEX
Mod Express

Product
Index

Baldor
Sales Offices

Catalog Number	Page Number	List Price	Mult Sym.	Ship Wgt ⁽¹⁾	Type Code
EM3212T	34	794	L1	61	3623M
EM3212T-8	36	809	L1	69	3623M
EM3212T-BG	138	991	L1	63	3623M
EM3212T-G	141	991	L1	63	3623M
EM3215T	33	870	L1	79	3636M
EM3215T-G	141	1067	L1	79	3636M
EM3216T	33	1192	L1	65	3628M
EM3218T	34	940	LS	84	3640M
EM3218T-5	37	940	LS	82	3640M
EM3218T-57	201	791	L1	101	3646M
EM3218T-5G	142	1137	L1	92	3640M
EM3218T-8	36	956	L1	84	3640M
EM3218T-8G	142	1137	L1	92	3640M
EM3218TA	34	1020	L1	84	3640M
EM3218T-BG	138	1137	L1	92	3640M
EM3218T-G	141	1137	L1	84	3640M
EM3219T	34	1259	L1	74	3632M
EM3219T-8	36	1278	L1	77	3632M
EM3219T-BG	138	1456	L1	77	3632M
EM3219T-G	141	1456	L1	75	3632M
EM3220T	33	1448	L1	82	3643M
EM3303T	33	1788	L1	111	3744M
EM3305T	34	1107	L1	119	3733M
EM3305T-BG	138	1328	L1	110	3733M
EM3305T-G	141	1328	L1	110	3733M
EM3309T	34	1451	L1	139	3744M
EM3309T-BG	138	1672	L1	141	3744M
EM3309T-G	141	1672	L1	141	3744M
EM3311T	34	1381	LS	115	3733M
EM3311T-5	37	1381	LS	114	3733M
EM3311T-58	201	1118	L1	127	3736M
EM3311T-5G	142	1602	L1	114	3733M
EM3311T-8	36	1401	L1	114	3733M
EM3311T-8G	142	1602	L1	120	3733M
EM3311T-BG	138	1602	L1	115	3733M
EM3311T-G	141	1602	L1	115	3733M
EM3312T	34	1440	L1	121	3728M
EM3312T-8	36	1463	L1	121	3728M
EM3312T-BG	138	1661	L1	121	3728M
EM3312T-G	141	1661	L1	113	3728M
EM3313T	34	1672	LS	128	3739M
EM3313T-5	37	1672	LS	123	3739M
EM3313T-58	201	1823	L1	165	3752M
EM3313T-5G	142	1893	L1	132	3739M
EM3313T-8	36	1696	L1	129	3739M
EM3313T-8G	142	1893	L1	132	3739M
EM3313T-BG	138	1893	L1	129	3739M
EM3313T-G	141	1893	L1	127	3739M
EM3314T	34	2045	L1	124	3734M
EM3314T-8	36	2071	L1	131	3734M

Catalog Number	Page Number	List Price	Mult Sym.	Ship Wgt ⁽¹⁾	Type Code
EM3314T-BG	138	2266	L1	131	3734M
EM3314T-G	141	2266	L1	126	3734M
EM3538	18	660	LS	29	3513M
EM3545	19	641	K	37	3516M
EM3545-5	23	641	K	27	3516M
EM3545-57	200	625	K	35	3516M
EM3545-G	139	796	K	32	3516M
EM3546	19	738	LS	35	3519M
EM3546-5	23	738	K	38	3519M
EM3546T	19	738	LS	35	3519M
EM3546T-5	23	738	LS	34	3519M
EM3546T-57	200	639	L1	34	3518M
EM3546T-5G	140	872	L1	35	3519M
EM3546T-8	23	867	L1	35	3519M
EM3546T-BG	137	872	L1	38	3519M
EM3546T-G	139	872	L1	30	3519M
EM3550	19	726	K	35	3520M
EM3550T	19	726	L1	36	3520M
EM3550T-5	23	726	L1	36	3520M
EM3550T-57	200	725	L1	43	3524M
EM3550T-G	139	892	L1	36	3520M
EM3554	19	820	LS	40	3526M
EM3554T	19	820	LS	41	3526M
EM3554T-5	23	820	LS	42	3526M
EM3554T-57	200	650	L1	41	3526M
EM3554T-5G	140	900	L1	42	3526M
EM3554T-8	23	528	L1	43	3526M
EM3554T-BG	137	900	L1	41	3526M
EM3554T-G	139	900	L1	42	3526M
EM3555	19	795	K	42	3526M
EM3555-5	24	795	K	41	3526M
EM3555T	19	795	L1	43	3526M
EM3555T-5	24	795	L1	43	3526M
EM3555T-57	200	796	L1	50	3532M
EM3555T-BG	137	961	L1	41	3526M
EM3555T-G	139	961	L1	46	3526M
EM3556	19	846	K	42	3526M
EM3556-5	23	846	K	41	3526M
EM3556T	19	846	L1	42	3526M
EM3556T-5	23	846	L1	40	3526M
EM3556T-G	139	1012	L1	43	3526M
EM3558	19	867	LS	46	3528M
EM3558-5	24	867	K	45	3528M
EM3558T	19	867	LS	45	3528M
EM3558T-5	24	867	LS	46	3528M
EM3558T-57	200	686	L1	45	3528M
EM3558T-5G	140	927	L1	46	3528M
EM3558T-8	23	1096	L1	46	3528M
EM3558T-9	60	597	ST	45	3528M
EM3558T-BG	137	927	L1	45	3528M

⁽¹⁾ Shipping weight is approximate.

Catalog Number	Page Number	List Price	Mult Sym.	Ship Wgt ⁽¹⁾	Type Code
EM3558T-G	139	927	L1	42	3528M
EM3559	19	871	K	50	3532M
EM3559-5	24	871	K	50	3532M
EM3559T	19	871	L1	49	3532M
EM3559T-5	24	871	L1	60	3532M
EM3559T-BG	137	1037	L1	50	3532M
EM3559T-G	139	1037	L1	53	3532M
EM3581T	19	913	L1	51	0519M
EM3582T	19	1023	L1	56	0524M
EM3583T	19	966	L1	52	0520M
EM3584T	19	947	L1	57	0526M
EM3586T	19	1014	L1	59	0526M
EM3587T	19	993	L1	58	0527M
EM3603	168	961	L1	38	3519M
EM3604	168	1225	L1	45	3526M
EM3606	168	979	L1	44	3526M
EM3607	168	1309	L1	72	3632M
EM3607T	19	989	L1	73	3632M
EM3607T-5	23	989	L1	73	3632M
EM3607T-G	139	1186	L1	76	3632M
EM3609	168	1033	L1	45	3528M
EM3610	168	1034	L1	55	3532M
EM3610T	19	882	L1	50	3532M
EM3610T-57	200	1015	L1	55	3535M
EM3610T-G	139	1079	L1	57	3532M
EM3611	168	1076	L1	70	3631M
EM3611T	19	890	LS	73	3631M
EM3611T-5	24	890	LS	73	3631M
EM3611T-57	200	805	L1	70	3631M
EM3611T-5G	140	1037	L1	76	3631M
EM3611T-8	23	1349	L1	72	3631M
EM3611T-9	60	700	ST	83	3636M
EM3611T-BG	137	1037	L1	70	3631M
EM3611T-G	139	1037	L1	74	3631M
EM3613T	20	978	L1	75	3630M
EM3613T-5	24	978	L1	75	3630M
EM3613T-57	200	1167	L1	93	3642M
EM3613T-BG	137	1175	L1	74	3630M
EM3613T-G	139	1175	L1	76	3630M
EM3614T	19	1037	L1	93	3644M
EM3614T-5	24	1037	L1	90	3644M
EM3614T-G	139	1234	L1	94	3644M
EM3615T	20	919	LS	93	3642M
EM3615T-5	24	919	LS	89	3642M
EM3615T-57	200	930	L1	101	3646M
EM3615T-5G	140	1116	L1	84	3642M
EM3615T-8	23	1504	L1	93	3642M
EM3615T-9	60	760	ST	95	3643M
EM3615T-BG	137	1116	L1	93	3642M
EM3615T-G	139	1116	L1	92	3642M

Catalog Number	Page Number	List Price	Mult Sym.	Ship Wgt ⁽¹⁾	Type Code
EM3616T	20	1290	L1	98	3646M
EM3616T-5	24	1290	L1	98	3646M
EM3617T	19	1393	L1	65	3628M
EM3618T	19	1650	L1	82	3643M
EM3660T	19	1096	L1	84	0620M
EM3660T-8	23	890	L1	82	0619M
EM3661T	19	1127	L1	97	0632M
EM3661T-5	24	1127	L1	97	0632M
EM3661T-8	23	624	L1	96	0632M
EM3663T	20	1349	L1	99	0628M
EM3663T-8	23	718	L1	99	0628M
EM3664T	19	1237	L1	109	0642M
EM3665T	20	1153	L1	107	0641M
EM3665T-5	24	1153	L1	108	0641M
EM3665T-8	23	919	L1	108	0641M
EM3665T-8G	140	1350	L1	119	0641M
EM3667T	19	1217	L1	93	0630M
EM3702	168	2305	L1	111	3744M
EM3702T	19	2089	L1	110	3732M
EM3703	168	1265	L1	70	3631M
EM3704	168	1557	L1	132	3739M
EM3704T	19	1349	L1	134	3739M
EM3704T-5	24	1349	L1	129	3739M
EM3704T-BG	137	1570	L1	132	3739M
EM3704T-G	139	1570	L1	135	3739M
EM3705T	19	2283	L1	111	3744M
EM3706	168	1760	L1	77	3630M
EM3707	168	1594	L1	93	3642M
EM3708T	20	1524	L1	154	3748M
EM3708T-5	24	1524	L1	154	3748M
EM3708T-BG	137	1745	L1	154	3748M
EM3708T-G	139	1745	L1	154	3748M
EM3709	168	1775	L1	96	3646M
EM3709T	20	1465	L1	116	3728M
EM3709T-5	24	1465	L1	115	3728M
EM3709T-58	200	1717	L1	121	3728M
EM3709T-BG	137	1686	L1	121	3728M
EM3709T-G	139	1686	L1	133	3728M
EM3710T	20	1326	LS	128	3738M
EM3710T-5	24	1326	LS	123	3738M
EM3710T-58	200	1182	L1	127	3736M
EM3710T-5G	140	1547	L1	126	3738M
EM3710T-8	23	1687	L1	127	3738M
EM3710T-9	60	1027	ST	140	3743M
EM3710T-BG	137	1547	L1	127	3738M
EM3710T-G	139	1547	L1	129	3738M
EM3711T	20	1485	L1	120	3729M
EM3711T-5	24	1485	L1	119	3729M
EM3711T-58	200	1619	L1	140	3740M
EM3711T-BG	137	1706	L1	118	3729M

⁽¹⁾ Shipping weight is approximate.

Baldor
Mod Express

ABB
Mod Express

ABB ATEX
Mod Express

Product
Index

Baldor
Sales Offices

Catalog Number	Page Number	List Price	Mult Sym.	Ship Wgt ⁽¹⁾	Type Code
EM3711T-G	139	1706	L1	118	3729M
EM3712	168	1480	L1	97	3644M
EM3713T	20	2095	L1	172	3752M
EM3713T-5	24	2095	L1	169	3752M
EM3714T	20	1497	LS	162	3752M
EM3714T-5	24	1497	LS	165	3752M
EM3714T-58	200	1632	L1	165	3752M
EM3714T-5G	140	1718	L1	165	3752M
EM3714T-8	23	2306	L1	165	3752M
EM3714T-9	60	1195	ST	187	
EM3714T-BG	137	1718	L1	165	3752M
EM3714T-G	139	1718	L1	156	3752M
EM3764T	19	1541	L1	173	0735M
EM3768T	20	1788	L1	195	0746M
EM3769T	20	1561	L1	165	0726M
EM3769T-8	23	917	L1	155	0724M
EM3770T	20	1504	L1	170	0735M
EM3770T-5	24	1504	L1	170	0735M
EM3770T-8	23	1326	L1	170	0735M
EM3770T-8G	140	1725	L1	170	0735M
EM3771T	20	1830	L1	182	0729M
EM3771T-8	23	1113	L1	182	0729M
EM3774T	20	1687	L1	191	0748M
EM3774T-5	24	1687	L1	185	0748M
EM3774T-8	23	1497	L1	189	0748M
EM3774T-8G	140	1908	L1	231	0748M
EM4100T	20	3880	L1	391	1046M
EM4100T-BG	137	4179	L1	372	1046M
EM4100T-G	139	4257	L1	369	1046M
EM4102T	20	5166	L1	399	1054M
EM4102T-BG	137	5465	L1	406	1054M
EM4102T-G	139	5543	L1	393	1054M
EM4103T	20	3657	LS	388	1046M
EM4103T-12	20	4206	L1	402	1046M
EM4103T-5	24	3657	LS	380	1052M
EM4103T-58	200	3987	L1	437	1056M
EM4103T-5G	140	4034	L1	364	1052M
EM4103T-8	23	3657	L1	382	1046M
EM4103T-BG	137	3956	L1	420	1046M
EM4103T-G	139	4034	L1	400	1046M
EM4104T	20	4338	LS	430	1056M
EM4104T-12	20	4887	L1	425	1056M
EM4104T-5	24	4338	LS	408	1056M
EM4104T-58	200	4729	L1	475	1060M
EM4104T-5G	140	4715	L1	423	1056M
EM4104T-8	23	4338	L1	413	1056M
EM4104T-BG	137	4637	L1	437	1056M
EM4104T-G	139	4715	L1	410	1056M
EM4106T	20	2766	L1	262	0936M
EM4106T-5	24	2766	L1	252	0932M

Catalog Number	Page Number	List Price	Mult Sym.	Ship Wgt ⁽¹⁾	Type Code
EM4106T-8	23	2766	L1	242	0932M
EM4106T-G	139	3059	L1	261	0936M
EM4107T	20	3609	L1	327	0946M
EM4107T-5	24	3609	L1	335	0950M
EM4107T-8	23	3609	L1	305	0938M
EM4107T-G	139	3986	L1	323	0946M
EM4108T	20	4288	L1	347	0950M
EM4108T-5	24	4288	L1	331	0948M
EM4108T-8	23	4288	L1	324	0948M
EM4108T-G	139	4665	L1	336	0950M
EM4109T	20	5877	L1	551	1240M
EM4109T-5	24	5877	L1	522	1240M
EM4109T-G	139	6333	L1	532	1240M
EM4110T	20	5673	LS	570	1254M
EM4110T-12	20	6524	L1	601	1260M
EM4110T-5	24	5673	LS	575	1254M
EM4110T-58	200	6184	L1	650	1272M
EM4110T-5G	140	6129	L1	576	1254M
EM4110T-8	23	5673	L1	576	1254M
EM4110T-BG	137	6039	L1	578	1254M
EM4110T-G	139	6129	L1	596	1254M
EM4111T	20	5845	L1	445	1072M
EM4111T-BG	137	6211	L1	475	1072M
EM4111T-G	139	6301	L1	507	1072M
EM4112T	20	7355	L1	534	1252M
EM4114T	20	6429	L1	575	1252M
EM4114T-5	24	6429	L1	574	1252M
EM4114T-G	139	6885	L1	584	1252M
EM4115T	20	6199	LS	650	1272M
EM4115T-12	20	7050	L1	652	1272M
EM4115T-5	24	6199	LS	623	1272M
EM4115T-58	200	6757	L1	800	1272M
EM4115T-5G	140	6655	L1	644	1272M
EM4115T-8	23	6199	L1	621	1266M
EM4115T-BG	137	6565	L1	641	1272M
EM4115T-G	139	6655	L1	648	1272M
EM4115TS	20	6199	L1	639	1272M
EM4116T	20	9084	L1	578	1256M
EM4117T	20	6753	L1	604	1264M
EM4117T-G	139	7209	L1	604	1264M
EM4118T	20	3226	L1	305	0946M
EM4308T	20	8414	L1	899	A36062M
EM4308T-G	139	9257	L1	883	A36062M
EM4310T	21	9032	L1	810	A36056M
EM4310T-G	140	9875	L1	900	A36056M
EM4312T	20	10167	L1	902	A36062M
EM4312T-G	139	11010	L1	910	A36062M
EM4313T	21	10507	L1	980	A36068M
EM4313T-G	140	11350	L1	966	A36068M
EM4314T	21	8919	LS	912	A3662M

Catalog Number	Page Number	List Price	Mult Sym.	Ship Wgt ⁽¹⁾	Type Code
EM4314T-12	21	10257	L1	850	A36062M
EM4314T-5	24	8919	LS	919	A36062M
EM4314T-58	200	9722	L1	910	A36062M
EM4314T-G	140	9763	L1	907	A36062M
EM4314TS	21	8919	L1	907	A36062M
EM4316T	21	10429	LS	955	A36068M
EM4316T-12	21	11767	L1	955	A36070M
EM4316T-5	24	10429	LS	958	A36070M
EM4316T-G	140	11273	L1	956	A36070M
EM4316TS	21	10429	L1	946	A36070M
EM4338T	20	10102	L1	813	A36050M
EM4348T	20	12530	L1	875	A36062M
EM4400T	21	12952	LS	1203	A40064M
EM4400T-12	21	14895	L1	1211	A40064M
EM4400T-5	24	12952	LS	1208	A40064M
EM4400T-G	140	14152	L1	1214	A40064M
EM4400TS	21	12952	L1	1206	A40064M
EM4402T-4	21	13434	L1	1187	A40060M
EM4403T	21	12341	L1	1187	A40064M
EM4404T	21	14371	L1	1229	A4072M
EM4406T-4	21	18443	LS	1826	A4488M
EM4406T-5	24	18443	LS	2151	A4488M
EM4406T-5E	24	18443	LS	1770	A44078M
EM4406TR-4	21	19671	L1	1826	A4488M
EM4406TS-4	21	18443	L1	2071	A4488M
EM4407T-4	21	23119	L1	2497	A44120M
EM4407T-4E	21	23119	L1	2308	A44106M
EM4407TR-4	21	24347	L1	2531	A44120M
EM4407TS-4	21	23119	L1	2487	A44120M
EM4408T-4	21	30317	L1	2888	A44144M
EM4408TR-4	21	31545	L1	2888	A44144M
EM4408TS-4	21	30317	L1	2888	A44144M
EM4409T-4	21	17345	L1	1828	A44064M
EM4410T-4	21	16033	LS	1969	A44076M
EM4410T-5	24	16033	LS	1669	A44076M
EM4410T-5E	24	16033	LS	1626	A44062M
EM4410TR-4	21	17261	L1	1988	A44076M
EM4410TS-4	21	16033	L1	2001	A44076M
EM4411T-4	21	20405	L1	2073	A44090M
EM4412T-4	21	16605	L1	1901	A4468M
EM4413T-4	21	19538	L1	1995	A4478M
EM44156T-4	21	23372	L1	2571	A44120M
EM4416T-4	21	23416	L1	2355	A44104M
EM44206T-4	21	28836	L1	3017	A44160M
EM44252T-4	21	36662	L1	2595	A44128M
EM44252TS-2340	24, 71	33234	LG	2338	A44130M
EM44254T-2340	24, 71	36300	LG	2694	A44200M
EM44256T-4	21	42159	L1	3125	A44160M
EM44302T-4	21	56004	L1	2595	A44128M
EM44302TS-2340	24, 71	40255	LG	3149	A44160M

Catalog Number	Page Number	List Price	Mult Sym.	Ship Wgt ⁽¹⁾	Type Code
EM44304T-2340	24, 71	36979	LG	3676	A44200M
EM44304T-4	21	45129	L1	2888	A44144M
EM44304TS-4	21	45129	L1	2888	A44144M
EM44306T-4	21	53814	L1	3683	A44208M
EM44352T-4	22	64695	L1	2855	A44144M
EM44354T-4	22	50140	L1	3027	A44160M
EM44354TS-4	22	50140	L1	3027	A44160M
EM44402T-4	22	78649	L1	3149	A44160M
EM44404T-4	22	65575	L1	3680	A44208M
EM4458T	20	15386	L1	1216	A40060M
EM4468T	21	17769	L1	1216	A40060M
EM4501006L-2340	25, 72	115432	LG	11000	
EM450708L-2340	25, 72	113182	LG	10000	
EM450806L-2340	25, 72	102853	LG	10000	
EM450808L-2340	25, 72	122452	LG	10800	
EM450906L-2340	25, 72	112006	LG	10000	
EM4906T-4	21	18443	LS	2169	A4488M
EM4907T-4	21	23119	L1	2517	A44120M
EM4911T-4	21	20405	L1	1874	A44090M
EM4912T-4	21	16605	L1	1539	A4468M
EM5001008L-2340	25, 72	143652	LG	14000	
EM5001254L-2340	25, 72	138765	LG	13100	
EM5001256L-2340	25, 72	126546	LG	13000	
EM5001258L-2340	25, 72	144599	LG	14000	
EM5001504L-2340	25, 72	144882	LG	14300	
EM5001506L-2340	25, 72	139139	LG	14700	
EM5001508L-2340	25, 72	150998	LG	16700	
EM500908L-2340	25, 72	141652	LG	14000	
EM50258LR-2340	24, 71	48317	LG	5500	
EM50308LR-2340	24, 71	54916	LG	5500	
EM50352S-2340	24, 71	43766	LG	5500	A50184M
EM50354L-2340	24, 71	44000	LG	5000	A50136M
EM50356L-4	22, 70	43392	LG	5600	
EM50356LR-4	22, 70	44891	LG	5600	
EM50358LR-2340	24, 71	63165	LG	6600	
EM50402S-2340	24, 71	48213	LG	5500	A50184M
EM50404L-2340	24, 71	47745	LG	5500	A50180M
EM50406L-4	22, 70	47186	LG	5600	
EM50406LR-2340	24, 71	54064	LG	6600	A50260M
EM50406LR-4	22, 70	48685	LG	5600	
EM50408LR-2340	24, 71	72357	LG	6600	
EM50408LR-4	22, 70	60807	LG	6600	
EM50452S-2340	25, 71	56872	LG	5500	A50184M
EM50452S-4	22, 70	51061	LG	5500	
EM50454L-2340	25, 71	51957	LG	5500	A50192M
EM50454L-4	22, 70	46984	LG	5500	
EM50454L-5	71	46984	LG	5500	
EM50456L-4	22, 70	53832	LG	6600	
EM50456LR-2340	25, 71	62021	LG	6600	A50260M
EM50456LR-4	22, 70	55331	LG	6600	

⁽¹⁾ Shipping weight is approximate.

Baldor
Mod Express

ABB
Mod Express

ABB ATEX
Mod Express

Product
Index

Baldor
Sales Offices

Catalog Number	Page Number	List Price	Mult Sym.	Ship Wgt ⁽¹⁾	Type Code
EM50458LR-4	22, 70	63847	LG	6600	
EM50502S-2340	25, 71	62021	LG	5500	A50184M
EM50502S-4	22, 70	55307	LG	5500	
EM50504L-2340	25, 71	59681	LG	6600	A50220M
EM50504L-4	22, 70	53466	LG	5500	
EM50504L-5	71	53832	LG	5500	
EM50506L-4	22, 70	60995	LG	6600	
EM50506LR-2340	25, 71	70915	LG	6600	A50276M
EM50506LR-4	22, 70	62494	LG	6600	
EM50602S-2340	25, 71	67872	LG	5500	A50184M
EM50604L-2340	25, 71	70213	LG	6600	A50256M
EM50704L-2340	25, 72	77234	LG	6600	A50256M
EM50804L-2340	25, 72	89872	LG	6600	A50256M
EM581004L-2340	25, 72	108596	LG	11000	A58280M
EM58458LR-2340	25, 71	78596	LG	10000	
EM58508LR-2340	25, 71	88384	LG	10000	
EM58508LR-4	22, 70	78072	LG	10000	
EM58606LR-2340	25, 71	78404	LG	10000	A58296M
EM58608LR-2340	25, 71	100169	LG	10000	
EM58706LR-2340	25, 72	89652	LG	10000	
EM58802S-2340	25, 72	89362	LG	10000	A58256M
EM58904L-2340	25, 72	94553	LG	10000	A58280M
EM7013	96	999	K	32	3418M
EM7013-5	98	999	K	33	3418M
EM7013T-I	103	1298	SD	51	3516M
EM7013T-I-5	103	1298	SD	51	3516M
EM7014	96	1266	K	51	3519M
EM7014-5	98	1266	K	42	3519M
EM7014T	96	1266	L1	44	3519M
EM7014T-5	98	1266	LS	42	3519M
EM7014T-I	103	1277	SD	55	3519M
EM7014T-I-5	103	1277	SD	55	3519M
EM7015	96	1519	L1	51	3519M
EM7018T	96	1158	L1	45	3520M
EM7018T-5	98	1158	L1	45	3520M
EM7018T-I	103	1288	SD	54	3520M
EM7019	96	1573	L1	50	3526M
EM7020T	96	1949	L1	88	3632M
EM7020T-I	103	1949	SD	108	3632M
EM7023	96	1717	L1	59	3528M
EM7026	96	1685	L1	80	3622M
EM7026T	96	1484	L1	69	3622M
EM7026T-I	103	1613	SD	91	3622M
EM7026T-I-5	103	1613	SD	91	3628M
EM7027	96	1824	L1	170	3631M
EM7030	96	2259	L1	193	3642M
EM7032	96	1416	K	49	3526M
EM7032T	96	1416	L1	52	3526M
EM7032T-I	103	1416	SD	62	3526M
EM7034	96	1311	K	50	3526M

Catalog Number	Page Number	List Price	Mult Sym.	Ship Wgt ⁽¹⁾	Type Code
EM7034T	96	1311	L1	50	3526M
EM7034T-5	98	1311	LS	51	3526M
EM7034T-I	103	1323	SD	61	3526M
EM7036T	96	2188	L1	170	3739M
EM7036T-I	103	2188	SD	185	3739M
EM7037	96	1431	K	59	3528M
EM7037T	96	1431	L1	58	3528M
EM7037T-5	98	1431	LS	54	3528M
EM7037T-I	103	1442	SD	65	3530M
EM7037T-I-5	103	1442	SD	65	3528M
EM7040T	96	2868	L1	170	3748M
EM7040T-I	103	2868	SD	170	3748M
EM7041T	96	2008	L1	97	3644M
EM7041T-I	103	2008	SD	119	3644M
EM7042T	96	1520	L1	108	3631M
EM7042T-5	98	1520	L1	84	3631M
EM7042T-I	103	1521	SD	107	3631M
EM7042T-I-5	103	1521	SD	106	3631M
EM7044T	96	1883	L1	101	3642M
EM7044T-5	98	1883	L1	99	3642M
EM7044T-I	103	1886	SD	122	3643M
EM7044T-I-5	103	1886	SD	126	3643M
EM7045T	96	2407	L1	166	3728M
EM7045T-I	103	2407	SD	166	3728M
EM7045T-I-5	103	2407	SD	166	3728M
EM7047T	96	2500	L1	161	3738M
EM7047T-5	98	2500	L1	161	3738M
EM7047T-I	103	2325	SD	161	3738M
EM7047T-I-5	103	2325	SD	161	3738M
EM7048T	96	3396	L1	393	0954M
EM7048T-I	103	3396	SD	389	0954M
EM7053T	97	3201	L1	341	0930M
EM7053T-I	103	3201	SD	352	0934M
EM7053T-I-5	103	3201	SD	352	0934M
EM7054T	97	3751	L1	370	0944M
EM7054T-5	98	3751	LS	364	0944M
EM7054T-C	97	3843	L1	370	0944M
EM7054T-I	103	3766	SD	373	0944M
EM7054T-I-5	103	3766	SD	374	0944M
EM7056T	97	4860	L1	393	0952M
EM7056T-5	98	4860	LS	396	0952M
EM7056T-C	97	4962	L1	393	0952M
EM7056T-I	104	4714	SD	399	0952M
EM7056T-I-5	104	4714	SD	397	0952M
EM7057T	97	6581	L1	430	1042M
EM7057T-I	103	6581	SD	529	1042M
EM7058T	97	5896	L1	537	1050M
EM7058T-5	98	5896	LS	534	1050M
EM7058T-C	97	6011	L1	537	1050M
EM7058T-I	104	5918	SD	538	1050M

Catalog Number	Page Number	List Price	Mult Sym.	Ship Wgt ⁽¹⁾	Type Code
EM7058T-I-5	104	5918	SD	559	1050M
EM7059T	97	4105	L1	359	0936M
EM7059T-I	104	4105	SD	409	0950M
EM7059T-I-5	104	4105	SD	409	0950M
EM7060T	97	7188	L1	554	1056M
EM7060T-5	98	7188	L1	553	1056M
EM7060T-C	97	7307	L1	563	1052M
EM7060T-I	104	7216	SD	579	1056M
EM7060T-I-5	104	7216	SD	573	1056M
EM7062T	97	9633	L1	713	1254M
EM7062T-5	98	9633	LS	729	1254M
EM7062T-C	97	9763	L1	700	1254M
EM7062T-I	104	9670	SD	750	1254M
EM7062T-I-5	104	9670	SD	745	1254M
EM7063T	97	5463	L1	507	1038M
EM7063T-I	104	5463	SD	552	1038M
EM7063T-I-5	104	5463	SD	552	1048M
EM7064T	97	11182	L1	764	1272M
EM7064T-C	97	11336	L1	764	1272M
EM7064T-I	104	11249	SD	850	1276M
EM7064T-I-5	104	11249	SD	841	1276M
EM7065T	97	4083	L1	403	0956M
EM7065T-I	103	4083	SD	400	0956M
EM7066T	97	12508	L1	972	A36062M
EM7066T-C	97	12672	L1	910	A36062M
EM7066T-I	104	12719	SD	1030	A36062M
EM7066T-I-5	104	12719	SD	1015	A36062M
EM7067T	97	8565	L1	630	1240M
EM7067T-I	104	8565	SD	684	1252M
EM7067T-I-5	104	8565	SD	684	1252M
EM7068T	97	15134	L1	1156	A36068M
EM7068T-I	104	13240	SD	1055	A36068M
EM7068T-I-5	104	13240	SD	1064	A36068M
EM7070T	97	2793	L1	189	3752M
EM7071T	96	1186	L1	52	3526M
EM7071T-5	98	1186	L1	52	3526M
EM7071T-I	103	1408	SD	62	3526M
EM7071T-I-5	103	1408	SD	62	3526M
EM7072T	96	1745	L1	93	3630M
EM7072T-5	98	1745	L1	85	3630M
EM7072T-I	103	2003	SD	110	3634M
EM7072T-I-5	103	2003	SD	109	3634M
EM7073T	96	2289	L1	105	3646M
EM7074T	97	2713	L1	175	3729M
EM7075T	96	1404	L1	59	3532M
EM7079T	97	6757	L1	494	1054M
EM7079T-I	104	6757	SD	558	1056M
EM7080T	97	9321	L1	766	1264M
EM7080T-I	104	9321	SD	782	1264M
EM7081T	97	10967	L1	745	1252M

Catalog Number	Page Number	List Price	Mult Sym.	Ship Wgt ⁽¹⁾	Type Code
EM7081T-I	104	10967	SD	740	1264M
EM7081T-I-5	104	10967	SD	740	1264M
EM7082T	97	8449	L1	741	1260M
EM7082T-I	104	8449	SD	762	1260M
EM7083T	97	6421	L1	528	1042M
EM7083T-I	104	6421	SD	565	1046M
EM7083T-I-5	104	6421	SD	565	1046M
EM7084T	97	10803	L1	915	A36064M
EM7084T-I	104	10803	SD	1026	A36064M
EM7085T	97	12193	L1	918	A36064M
EM7085T-I	104	12193	SD	1003	A36064M
EM7086T	97	14548	L1	1375	A40072M
EM7086T-I	104	14246	SD	1418	A40072M
EM7087T	97	16276	L1	1428	A40072M
EM7087T-I	104	16276	SD	1411	A40072M
EM7088T-I	104	19008	SD	1866	
EM7089T-I-4	104	21243	SD	2411	
EM7090T	97	17576	L1	1335	A40072M
EM7090T-I	104	16981	SD	1437	A40072M
EM7090T-I-5	104	16981	SD	1446	A40072M
EM7114T	96	1439	L1	78	0519M
EM7114T-C	96	1444	L1	78	0519M
EM7120T	96	2167	L1	134	0630M
EM7126T	96	1995	L1	126	0620M
EM7134T	96	1461	L1	84	0526M
EM7134T-C	96	1478	L1	62	0526M
EM7137T	96	1499	L1	81	0527M
EM7137T-C	96	1519	L1	60	0527M
EM7142T	96	1597	L1	130	0632M
EM7142T-C	96	1643	L1	137	0632M
EM7144T	96	1896	L1	152	0641M
EM7144T-C	96	1981	L1	146	0641M
EM7145T	96	2698	L1	154	0726M
EM7147T	96	2404	L1	225	0735M
EM7147T-C	96	2477	L1	225	0735M
EM7170T	97	3308	L1	249	0748M
EM7170T-5	98	3525	L1	249	0748M
EM7170T-C	97	3442	L1	249	0748M
EM7170T-I	103	3138	SD	252	0750M
EM7170T-I-5	103	3138	SD	252	0750M
EM7172T	96	2339	L1	130	0628M
EM7174T	97	2831	L1	235	0729M
EM7174T-I	103	2831	SD	235	0729M
EM7174T-I-5	103	2831	SD	235	0729M
EM7310T-I	104	11779	SD	984	A36048M
EM7313T-I	104	13254	SD	993	A36052M
EM74124T-4	97	20539	L1	1900	A44062M
EM74124T-I-4	104	19841	SD	1900	A44062M
EM74154T-4	97	22954	L1	2455	A44106M
EM74154T-I-4	104	22174	SD	2455	A44106M

⁽¹⁾ Shipping weight is approximate.

Baldor
Mod Express

ABB
Mod Express

ABB ATEX
Mod Express

Product
Index

Baldor
Sales Offices

Catalog Number	Page Number	List Price	Mult Sym.	Ship Wgt ⁽¹⁾	Type Code
EM74204T-4	97	32808	L1	2993	A44144M
EM74204T-I-4	104	31693	SD	2993	A44144M
EM74254T-4	97	39370	L1	3027	A44160M
EM7536T-I	102	2264	SD	225	0735M
EM7540T-I	102	2969	SD	217	0748M
EM7542T-I	102	1576	SD	143	0632M
EM7544T-I	102	1952	SD	160	0641M
EM7547T-I	102	2407	SD	225	0735M
EM7548T-I	102	3515	SD	321	0954M
EM7554T-I	102	3897	SD	375	0944M
EM7556T-I	102	4879	SD	403	A25056M
EM7558T-I	102	6124	SD	526	1046M
EM7559T-I	102	4249	SD	394	A25050M
EM7560T-I	102	7480	SD	499	A28054M
EM7562T-I	102	10008	SD	737	1256M
EM7564T-I	102	11644	SD	818	A32068M
EM7565T-I	102	4226	SD	395	A25054M
EM7566T-I	102	13164	SD	1023	A36062M
EM7568T-I	102	13703	SD	1072	A36068M
EM7572T-I	102	2072	SD	156	0640M
EM7574T-I	102	2930	SD	212	0729M
EM7585T-I	102	12619	SD	1038	A36064M
EM7587T-I	102	16847	SD	1368	A40064M
EM7590T-I	102	17575	SD	1448	A40072M
EM7596T-I	102	23711	SD	2038	A44078M
EM7599T-I	102	20869	SD	1854	A44062M
EM7600T-I	102	21217	SD	1881	A44062M
EM7670T-I	102	3250	SD	249	0748M
EMM08112-PP	185	525	M	42	
EMM08256-PP	185	417	M	31	
EMM08376-PP	185	459	M	35	
EMM08554-PP	185	427	M	44	
EMM08556-PP	185	525	M	46	
EMM08752-PP	185	479	M	40	
EMM08754-PP	185	499	M	49	
EMM09114-PP	185	570	M1	73	
EMM09152-PP	185	622	M1	68	
EMM09154-PP	185	670	M1	75	
EMM09222-PP	185	783	M1	77	
EMM09756-PP	185	628	M1	75	
EMM10032-PP	185	929	M1	110	
EMM10034-PP	185	976	M1	108	
EMM10116-PP	185	773	M1	104	
EMM10224-PP	185	821	M1	108	
EMM11042-AP-50N	183	902	M1	77	
EMM11042-PP	185	1107	M1	123	
EMM11044-PP	185	1160	M1	115	
EMM11156-PP	185	884	M1	117	
EMM13036-PP	185	1381	M1	181	
EMM13046-PP	185	1719	M1	181	

Catalog Number	Page Number	List Price	Mult Sym.	Ship Wgt ⁽¹⁾	Type Code
EMM13226-PP	185	1109	M1	179	
EMM13552-AP-50N	183	1177	M1	123	
EMM13552-PP	185	1443	M1	170	
EMM13554-AP-50N	183	1211	M1	106	
EMM13554-PP	185	1486	M1	179	
EMM13556-PP	185	2126	M1	174	
EMM13752-AP-50N	183	1465	M1	139	
EMM13752-PP	185	1797	M1	170	
EMM13754-AP-50N	183	1530	M1	130	
EMM13754-PP	185	1877	M1	179	
EMM16112-APN	183	2411	M1	234	
EMM16112-PPN	183	2699	M1	311	
EMM16114-APN	183	2461	M1	277	
EMM16114-PPN	183	2755	M1	382	
EMM16116-APN	183	4587	M1	306	
EMM16152-APN	183	3135	M1	271	
EMM16152-PPN	183	3510	M1	375	
EMM16154-APN	183	3194	M1	308	
EMM16154-PPN	183	3575	M1	413	
EMM16182-APN	183	3780	M1	403	
EMM16182-PPN	183	4231	M1	403	
EMM16756-APN	183	2614	M1	480	
EMM18156-APN	183	4424	M1	385	
EMM18184-APN	183	3604	M1	389	
EMM18184-PPN	183	4034	M1	519	
EMM18222-APN	184	4249	M1	387	
EMM18222-PPN	184	4756	M1	516	
EMM18224-APN	184	4336	M1	387	
EMM18224-PPN	184	4854	M1	519	
EMM20186-APN	183	5274	M1	480	
EMM20226-APN	184	6212	M1	539	
EMM20302-PPN	184	5937	M1	657	
EMM20304-PPN	184	6166	M1	703	
EMM20372-PPN	184	7806	M1	692	
EMM22374-PPN	184	7511	M1	877	
EMM22452-PPN	184	9381	M1	692	
EMM22454-PPN	184	9053	M1	877	
EMM2333	196	2221	L1	250	0944M
EMM2334	196	2696	L1	313	0960M
EMM25552-PPN	184	11382	M1	997	
EMM25554-PPN	184	10922	M1	1049	
EMM28752-PP	184	13403	M1	1466	
EMM28754-PP	184	12976	M1	1466	
EMM28902-PP	184	15940	M1	1598	
EMM28904-PP	184	15059	M1	1598	
EMM3554	196	767	L1	44	3526M
EMM3555	196	733	L1	51	3532M
EMM3558	196	783	K	45	3528M
EMM3559	196	881	L1	51	3532M
EMM3611	196	879	L1	71	3631M

⁽¹⁾ Shipping weight is approximate.

Catalog Number	Page Number	List Price	Mult Sym.	Ship Wgt ⁽¹⁾	Type Code
EMM3613	196	893	L1	78	3634M
EMM3615	196	954	L1	90	3642M
EMM3709	196	1347	L1	118	3728M
EMM3710	196	1365	L1	130	3738M
EMM3711	196	1412	L1	119	3729M
EMM3714	196	1544	L1	165	3752M
EMM5550	192	649	K	21	
EMM5600	192	645	K	22	
EMM5650	192	675	K	42	
EMM5650-5	193	675	K	42	
EMM5700	192	763	K	37	
EMM5700-5	193	763	K	37	
EMM5750	192	835	K	42	
EMM5750-5	193	835	K	42	
EMVM08112C-PP	186	710	M	42	
EMVM08112D-PP	185	590	M	42	
EMVM08256C-PP	186	602	M	31	
EMVM08256D-PP	185	482	M	31	
EMVM08376C-PP	186	645	M	35	
EMVM08376D-PP	185	525	M	35	
EMVM08554C-PP	186	617	M	44	
EMVM08554D-PP	185	497	M	44	
EMVM08556C-PP	186	710	M	46	
EMVM08556D-PP	185	590	M	46	
EMVM08752C-PP	186	670	M	40	
EMVM08752D-PP	185	550	M	40	
EMVM08754C-PP	186	680	M	49	
EMVM08754D-PP	185	560	M	49	
EMVM09114C-PP	186	761	M1	73	
EMVM09114D-PP	185	640	M1	73	
EMVM09152C-PP	186	816	M1	68	
EMVM09152D-PP	185	695	M1	68	
EMVM09154C-PP	186	889	M1	75	
EMVM09154D-PP	185	768	M1	75	
EMVM09222C-PP	186	981	M1	77	
EMVM09222D-PP	186	861	M1	77	
EMVM09756C-PP	186	808	M1	75	
EMVM09756D-PP	185	688	M1	75	
EMVM10032C-PP	186	1142	M1	110	
EMVM10032D-PP	186	1022	M1	110	
EMVM10034C-PP	186	1207	M1	108	
EMVM10034D-PP	186	1087	M1	108	
EMVM10116C-PP	186	944	M1	104	
EMVM10116D-PP	185	823	M1	104	
EMVM10224C-PP	186	1032	M1	108	
EMVM10224D-PP	186	911	M1	108	
EMVM11042C-PP	186	1396	M1	123	
EMVM11042D-PP	186	1222	M1	123	
EMVM11044C-PP	186	1443	M1	115	
EMVM11044D-PP	186	1270	M1	115	

Catalog Number	Page Number	List Price	Mult Sym.	Ship Wgt ⁽¹⁾	Type Code
EMVM11156C-PP	186	1130	M1	117	
EMVM11156D-PP	185	956	M1	117	
EMVM13036C-PP	186	1657	M1	181	
EMVM13036D-PP	186	1483	M1	181	
EMVM13046C-PP	186	1805	M1	181	
EMVM13046D-PP	186	1805	M1	181	
EMVM13226C-PP	186	1355	M1	179	
EMVM13226D-PP	186	1182	M1	179	
EMVM13552C-PP	186	1765	M1	170	
EMVM13552D-PP	186	1591	M1	170	
EMVM13554C-PP	186	1797	M1	179	
EMVM13554D-PP	186	1624	M1	179	
EMVM13556C-PP	186	2367	M1	174	
EMVM13556D-PP	186	2194	M1	174	
EMVM13752C-PP	186	2106	M1	170	
EMVM13752D-PP	186	1933	M1	170	
EMVM13754C-PP	186	2221	M1	179	
EMVM13754D-AP-50N	188	1670	M1	130	
EMVM13754D-PP	186	2048	M1	179	
EMVM16114D-APN	188	2663	M1	293	
EMVM16114D-PPN	188	2982	M1	392	
EMVM16154D-APN	188	3399	M1	322	
EMVM16154D-PPN	188	3805	M1	421	
EMVM18184D-APN	188	3897	M1	403	
EMVM18184D-PPN	188	4362	M1	531	
EMVM18224D-APN	188	4629	M1	403	
EMVM18224D-PPN	188	5182	M1	529	
EMVM20304D-APN	188	5919	M1	562	
EMVM20304D-PPN	188	6626	M1	721	
EMVM22374D-APN	188	7149	M1	714	
EMVM22374D-PPN	188	8003	M1	897	
EMVM22454D-APN	188	8556	M1	714	
EMVM22454D-PPN	188	9578	M1	897	
EMVM25554D-APN	188	10255	M1	908	
EMVM25554D-PPN	188	11513	M1	1089	
EMVM28754D-PP	188	15182	M1	1466	
EMVM28904D-PP	188	17478	M1	1598	
EMVM3545D	197	767	K	27	3420M
EMVM3546C	198	776	K	38	3519M
EMVM3546D	197	791	K	38	3519M
EMVM3550D	197	802	L1	38	3520M
EMVM3554D	197	813	L1	46	3526M
EMVM3555D	197	869	L1	41	3526M
EMVM3558C	198	827	L1	50	3528M
EMVM3558D	197	846	L1	48	3528M
EMVM3559C	198	924	L1	58	3532M
EMVM3559D	197	942	L1	57	3532M
EMVM3611C	198	995	L1	78	3631M
EMVM3611D	197	1011	L1	80	3631M
EMVM3613C	198	1218	L1	81	3634M

⁽¹⁾ Shipping weight is approximate.

Baldor
Mod Express

ABB
Mod Express

ABB ATEX
Mod Express

Product
Index

Baldor
Sales Offices

Catalog Number	Page Number	List Price	Mult Sym.	Ship Wgt ⁽¹⁾	Type Code
EMVM3613D	197	1233	L1	81	3634M
EMVM3615C	198	1135	L1	93	3642M
EMVM3615D	197	1153	L1	93	3642M
EMVM3709D	197	1687	L1	116	3646M
EMVM3710D	197	1561	L1	151	3738M
EMVM3711D	197	2046	L1	118	3729M
EMVM3714D	197	1918	L1	165	3752M
EMVM5500D	192	598	K	20	
EMVM5550C	192	682	K	21	
EMVM5550D	192	682	K	22	
EMVM5600C	192	678	K	22	
EMVM5600D	192	678	K	23	
EMVM5650C	192	742	K	42	
EMVM5650C-5	193	742	K	42	
EMVM5650D	192	742	K	44	
EMVM5650D-5	193	742	K	44	
EMVM5700C	192	801	K	37	
EMVM5700C-5	193	801	K	37	
EMVM5700D-5	193	801	K	39	
EMVM5750C	192	877	K	42	
EMVM5750C-5	193	877	K	42	
EMVM5750D	192	877	K	44	
EMVM5750D-5	193	877	K	44	
ENC00NV	284	1932	E8	2	
ENC00NV-A2	220	1442	E8	1	
ENC00NV-B1	220	1442	E8	2	
ENC00NV-D1	220	1622	E8	4	
ENC00NV-D2	220	2158	E8	4	
ENC01BC-B1	220	1442	E8	3	
ENC01BC-D1	220	1622	E8	4	
ENC01BC-D2	220	2158	E8	4	
ENC01NV-A2	220	1442	E8	1	
ENC01NV-B2	220	1442	E8	2	
ENC01NV-D1	220	1622	E8	4	
ENC01NV-D2	220	2158	E8	4	
ENC02BC-A2	220	1442	E8	1	
ENC02BC-B2	220	1631	E8	2	
ENC02BC-D1	220	1622	E8	4	
ENC02BC-D2	220	1622	E8	4	
ENCP3581T-4	44	1087	SD	56	0524M
ENCP83580T-4	52	994	SD	56	0520M
ENCP83581T-4	52	1087	SD	60	0524M
ENM3546	19	738	K	39	3524M
ENM3546T	19	738	L1	39	3524M
ENM3554T	19	820	L1	50	3533M
ERHM3162TA	151	1138	L1	60	3540M
ERL1313A	150	689	K	52	3532LC
ERL1319A	150	774	K	59	3540LC
ERL1319A277	150	774	K	59	3540LC
ERM3003	150	437	K	21	3413M

Catalog Number	Page Number	List Price	Mult Sym.	Ship Wgt ⁽¹⁾	Type Code
ERM3007	150	455	K	24	3416M
ERM3009	150	480	K	24	3416M
ERM3010	150	489	K	31	3424M
ERM3104	150	455	K	24	3416M
ERM3108	150	489	K	31	3424M
ERM3111	150	485	K	24	3416M
ERM3112	150	539	K	38	3516M
ERM3115	150	512	K	27	3420M
ERM3116	150	562	K	37	3520M
ERM3120	150	543	K	34	3518M
ERM3154	150	580	K	41	3526M
ERM3155	150	630	K	43	3524M
ERM3157	150	608	K	43	3525M
ERM3158TA	151	797	L1	48	3530M
EWCM3212T	126	1027	L1	63	3623M
EWCM3219T	126	1492	L1	77	3632M
EWCM3312T	127	1739	L1	121	3728M
EWCM3314T	127	2344	L1	131	3734M
EWCM3709T	122	1764	L1	96	3646M
EWCM3710T	122	1625	L1	129	3738M
EWCM3711T	123	1784	L1	118	3729M
EWCM3713T	123	2394	L1	169	3752M
EWCM3714T	123	1796	L1	187	3756M
EWDM23933T	78	4997	WD	248	3942M
EWDM23934T	78	5823	WD	269	3952M
EWDM3546	78	905	WD	39	3524M
EWDM3546T	78	927	WD	39	3524M
EWDM3554T	78	1019	WD	49	3533M
EWDM3558T	78	1196	WD	46	3528M
EWDM3611T	78	1493	WD	73	3631M
EWDM3615T	78	1699	WD	90	3642M
EWDM3710T	78	2127	WD	151	3738M
EWDM3714T	78	2317	WD	165	3752M
FBRK115230	175	131	A8	115	
FBRK230460	175	144	A8	230	
FCAN-01 Kit	243, 248	325	ES		
FCD34	361	94	A8	1	
FCD35 *	361	25	A8	1	
FCD35M *	361	94	A8	2	
FCD36	361	115	A8	2	
FCD37	361	139	A8	3	
FCD39	361	186	A8	3	
FCD40	361	199	A8	12	
FCD42	361	213	A8	5	
FDEM2333T	154	2346	L1	270	0944M
FDEM2334T	154	2836	L1	300	0952M
FDEM2394T	154	2560	L1	254	0930M
FDEM3546	154	719	K	38	3519M
FDEM3546T	154	728	L1	38	3519M
FDEM3554	154	735	K	41	3526M

Catalog Number	Page Number	List Price	Mult Sym.	Ship Wgt ⁽¹⁾	Type Code
FDEM3554T	154	749	L1	41	3526M
FDEM3558	154	753	K	45	3528M
FDEM3558T	154	776	L1	45	3528M
FDEM3610T	154	891	L1	64	3540M
FDEM3611T	154	860	L1	70	3631M
FDEM3613T	154	998	L1	74	3630M
FDEM3615T	154	939	L1	93	3642M
FDEM3709T	154	1490	L1	121	3728M
FDEM3710T	154	1351	L1	127	3738M
FDEM3711T	154	1510	L1	118	3729M
FDEM3714T	154	1522	L1	165	3752M
FDEM4103T	154	3707	L1	380	1046M
FDEM4104T	154	4388	L1	425	1056M
FDEM4106T	154	2806	L1	271	0936M
FDEM4107T	154	3659	L1	323	0946M
FDEM4108T	154	4338	L1	323	0950M
FDEM4109T	154	5977	L1	528	1240M
FDEM4110T	154	5773	L1	567	1254M
FDEM4114T	154	6529	L1	575	1252M
FDEM4115T	154	6299	L1	610	1272M
FDEM4314T	154	9044	L1	910	A3662M
FDEM4316T	154	10544	L1	977	A36068M
FDEM4400T	154	13127	L1	1326	A40064M
FDL3501M	155	431	K	23	3414L
FDL3504M	155	503	K	28	3421L
FDL3507M	155	591	K	37	3432LC
FDL3510M	155	669	K	41	3524L
FDL3510TM	155	669	L1	40	3524L
FDL3514M	155	753	K	49	3532LC
FDL3514TM	155	755	L1	51	3532LC
FDL3516TM	155	1065	K	51	3535LC
FDL3610M	155	1463	L1	90	3640LC
FDL3610TM	155	1428	L1	90	3640LC
FDL3611M	155	1233	L1	76	3634L
FDL3611TM	155	1201	L1	77	3634L
FDL3612TM	155	1499	L1	100	3646LC
FDL3619TM	155	1150	L1	82	3634LC
FDL3712TM	155	2144	L1	160	3750LC
FDL3731M	155	1841	L1	126	3730LC
FDL3732M	155	2120	L1	147	3740LC
FDL3733TM	155	1951	L1	146	3740LC
FDL3737TM	155	2282	L1	169	3752LC
FDNA-01 Kit	243, 248	260	ES		
FEA-01	297	465	ES		
FECA-01 Kit	244, 248	400	ES		
FEN-21	297	465	ES		
FENA-01 Kit	243, 248	400	ES		
FEPA-01	243, 248	120	ES		
FFC05	362	149	A8	6	
FFC06	362	160	A8	10	

Catalog Number	Page Number	List Price	Mult Sym.	Ship Wgt ⁽¹⁾	Type Code
FFC07WB	362	236	A8	19	
FFC09	362	221	A8	20	
FFC09WB	362	324	A8	28	
FFC18 **	362	289	A8	90	
FFC19 **	362	352	A8	120	
FL13HK	356	110	A8	2	
FL15HK	356	118	A8	6	
FL18HK	356	123	A8	3	
FL21HK	356	138	A8	3	
FL24HK	356	196	A8	4	
FL26HK	356	211	A8	6	
FL30HK	356	219	A8	6	
FL32HK	356	227	A8	12	
FL38HK	356	235	A8	12	
FLT3210-250 (b)	283	791	A8	2	
FLT4280	283	791	A8	9	
FLT6320-400	283	791	A8	14	
FLT8500	283	965	A8	9	
FM2513T-8	42	1602	L1	155	3748M
FM2515T-8	42	2062	L1	197	3762M
FM3112-8	42	389	K	25	3420M
FM3311T-8	42	866	L1	96	3643M
FMBA-01 Kit	244, 249	142	ES		
FMK-A-R1	264	151	EG		
FMK-A-R2	264	192	EG		
FMK-A-R3	264	250	EG		
FMK-A-R4	264	319	EG		
FO NLWC-02	298	91	EM		
FO NLWC-03	298	117	EM		
FO NLWC-05	298	140	EM		
FO NLWC-07	298	163	EM		
FO NLWC-10	298	208	EM		
FO Twin Fiber Opt. CA 0,5 M	298	140	EM		
FO Twin Fiber Opt. CA 10 M	298	289	EM		
FO Twin Fiber Opt. CA 2,0 M	298	172	EM		
FO Twin Fiber Opt. CA 5,0 M	298	241	EM		
FPBA-01 Kit	244, 248	290	ES		
FPM2513T	113	1967	FP	213	
FPM2514T	113	2051	FP	145	
FPM2515T	113	2113	FP	225	
FPM2516T	113	2293	FP	210	
FPM2516T-2/4	113	2293	FP	210	
FPM2531TS	113	2548	FP	236	
FPM2531TS-2/4	113	2548	FP	236	
FPM2534T	113	2647	FP	235	
FPM2534T-2/4	113	2647	FP	235	
FPM2535TS	113	3162	FP	340	
FPM2535TS-2/4	113	3162	FP	340	
FPM2538T	113	3363	FP	263	
FPM2538T-2/4	113	3363	FP	263	

⁽¹⁾ Shipping weight is approximate.

Baldor
Mod Express

ABB
Mod Express

ABB ATEX
Mod Express

Product
Index

Baldor
Sales Offices

Catalog Number	Page Number	List Price	Mult Sym.	Ship Wgt ⁽¹⁾	Type Code
FPM2539TS	113	3515	FP	375	
FPM2539TS-2/4	113	3515	FP	375	
FPM2542T	113	3835	FP	331	
FPM2542T-2/4	113	3835	FP	331	
FPM2543TS	113	3882	FP	385	
FPM2543TS-2/4	113	3882	FP	385	
FPM2546T	113	4677	FP	385	
FPM2546T-2/4	113	4677	FP	385	
FPM2547TS	113	4976	FP	480	
FPM2547TS-2/4	113	4976	FP	480	
FPM2549T	113	6378	FP	485	
FPM2549T-2/4	113	6378	FP	485	
FPM2550T	113	6922	FP	523	
FPM2550T-2/4	113	6922	FP	523	
FPM2551TS	113	5598	FP	570	
FPM2551TS-2/4	113	5598	FP	570	
FPM2554T-4	113	9635	FP	660	
FPM2555TS	113	8407	FP	597	
FPM2555TS-2/4	113	8407	FP	597	
FPM2556T-4	113	11830	FP	925	
FPM2558TS-4	113	11560	FP	1579	
FPM2559TS-4	113	9919	FP	590	
FPM2562T-4	113	15174	FP	1449	
FPM2563TS-4	113	14220	FP	1718	
FPM2565T-4	113	15975	FP	1737	
FPM2566TS-4	113	16184	FP	1844	
FPM2568T-4	113	23699	FP	1697	
FPM3312T	113	1322	FP	121	
FPM3313T	113	1488	FP	115	
FPM3314T	113	1720	FP	131	
FRSA-00	244, 248	65	ES		
FVB3180	283	1491	A8	18	
FVB3210	283	1491	A8	25	
FVB3250	283	1491	A8	19	
FVB4280	283	1823	A8	44	
FVB6320	283	2123	A8	46	
FVB6400	283	2323	A8	59	
FVB8500	283	2750	A8	93	
FVB95010	283	4738	A8	171	
GA10	373	94	A8	1	
GA11	373	99	A8	2	
GA13	373	53	A8	2	
GA14	373	369	A8	64	
GA14R	372	369	A8	64	
GA16	373	489	A8	62	
GA16E	373	319	A8	36	
GA16R	372	536	A8	62	
GA16RE	372	309	A8	36	
GA20	373	803	A8	119	
GA20E	373	369	A8	54	

Catalog Number	Page Number	List Price	Mult Sym.	Ship Wgt ⁽¹⁾	Type Code
GA20RE	372	369	A8	54	
GA24	373	60	A8	1	
GA25	373	59	A8	9	
GA3	373	162	A8	7	
GA4	373	187	A8	6	
GA7	370	143	A8	1	
GA8	370	525	A8	1	
GA9	373	206	A8	5	
GA9-1	373	114	A8	3	
GA9R	372	206	A8	5	
GA9S	373	229	A8	6	
GA9SR	372	229	A8	5	
GC24003	303	406	DS	7	
GC24208	305	540	DS	10	
GC24302	308	503	DS	10	
GC24304	308	503	DS	10	
GC24305	308	503	DS	10	
GC24306	308	503	DS	10	
GC24307	312	537	DS	11	
GC24308	312	537	DS	11	
GC24309	312	537	DS	11	
GC24310	308	503	DS	10	
GC24311	312	537	DS	11	
GC24312	306	690	DS	12	
GC24313	308	503	DS	10	
GC24314	306	690	DS	14	
GC24316	316	540	DS	13	
GC24318	316	540	DS	13	
GC24320	316	540	DS	13	
GC24322	316	540	DS	13	
GC25004	312	635	DS	16	
GC25005	318	643	DS	26	
GC25006	312	635	DS	16	
GC25007	312	635	DS	16	
GC25008	312	635	DS	16	
GC25009	312	635	DS	17	
GC25010	318	643	DS	26	
GC25011	312	635	DS	15	
GC25012	312	635	DS	15	
GC25014	312	635	DS	15	
GC25015	318	643	DS	16	
GC25020	318	643	DS	16	
GC25060	310	881	DS	20	
GC25080	310	881	DS	15	
GC25120	310	881	DS	20	
GC25190	310	881	DS	21	
GC25280	310	881	DS	20	
GC3320	312	701	DS	15	
GC3321	312	701	DS	15	
GC3322	312	701	DS	15	

Catalog Number	Page Number	List Price	Mult Sym.	Ship Wgt ⁽¹⁾	Type Code
GC3324	312	701	DS	15	
GC3325	318	701	DS	18	
GC3330	318	701	DS	16	
GCF2X01AA	353	459	GB	17	
GCF2X02BB	353	553	GB	28	
GCF3X01AA	353	459	GB	17	
GCF3X02BB	353	553	GB	28	
GCF4X01AA	353	459	GB	17	
GCF4X02BB	353	553	GB	29	
GCF5X01AA	353	459	GB	19	
GCF5X02AB	353	553	GB	29	
GCF5X02BB	353	553	GB	28	
GCP12006	335	1103	DS	30	
GCP12011	335	1103	DS	30	
GCP12013	335	1103	DS	30	
GCP12019	335	1103	DS	30	
GCP12029	335	1103	DS	30	
GCP12044	335	1012	DS	28	
GCP12082	335	1021	DS	28	
GCP12096	335	1021	DS	28	
GCP12145	335	1021	DS	28	
GCP12210	335	1008	DS	26	
GCP12316	335	1008	DS	26	
GCP24002	329	896	DS	15	
GCP24004	329	896	DS	15	
GCP24005	323	542	DS	10	
GCP24007	323	542	DS	10	
GCP24010	323	542	DS	10	
GCP24013	323	542	DS	10	
GCP24017	323	542	DS	10	
GCP24020	329	896	DS	15	
GCP24022	329	896	DS	15	
GCP24026	323	542	DS	10	
GCP24037	323	561	DS	10	
GCP24050	323	561	DS	10	
GCP24072	323	561	DS	10	
GCP24100	323	561	DS	10	
GCP24114	323	567	DS	10	
GCP24122	323	567	DS	10	
GCP24124	323	561	DS	10	
GCP24134	323	561	DS	10	
GCP24136	323	540	DS	10	
GCP24138	323	540	DS	10	
GCP24140	323	540	DS	10	
GCP24142	323	540	DS	10	
GCP24186	323	567	DS	10	
GCP24232	326	647	DS	14	
GCP24234	326	617	DS	14	
GCP24362	323	567	DS	10	
GCP24369	323	595	DS	10	

Catalog Number	Page Number	List Price	Mult Sym.	Ship Wgt ⁽¹⁾	Type Code
GCP24702	323	595	DS	10	
GCP25002	329	870	DS	18	
GCP25004	329	870	DS	18	
GCP25006	329	840	DS	18	
GCP25008	329	840	DS	17	
GCP25010	329	840	DS	18	
GCP25052	326	617	DS	14	
GCP25054	326	617	DS	14	
GCP25056	326	587	DS	14	
GCP25058	326	587	DS	14	
GCP25060	326	587	DS	14	
GCP25062	326	587	DS	14	
GCP25082	329	881	DS	20	
GCP25102	329	881	DS	20	
GCP25216	329	896	DS	20	
GCP25658	329	881	DS	20	
GCP3305	329	881	DS	20	
GCP3310	329	849	DS	20	
GCP3315	329	849	DS	20	
GDL1605T	156	1623	L1	97	3646LC
GDL1607T	156	2135	L1	142	3744LC
GDL1610T	156	2470	L1	160	3748LC
GDL1615T	156	3675	L1	271	3956LC
GDL2333T	156	4594	L1	310	0956LC
GDL3665T	156	2029	L1	100	0640LC
GDL3770T	156	2669	L1	198	0743LC
GDL3774T	156	3087	L1	210	0748LC
GDM2333T	156	2868	L1	231	0748M
GDM2334T	156	3067	L1	245	0760M
GDM2513T	156	1900	L1	156	3748M
GDM2515T	156	2502	L1	187	3766M
GDM2531T	156	3074	L1	245	3942M
GDM2535T	156	3575	L1	281	3952M
GDM3218T	156	898	L1	68	3630M
GDM3311T	156	1274	L1	92	3644M
GDM3313T	156	1544	L1	116	3733M
GDM3615T	156	1082	L1	80	3634M
GDM3710T	156	1356	L1	117	3731M
GDM3714T	156	2164	L1	131	3740M
GDM4103T	156	4358	L1	345	0956M
GDM4104T	156	5137	L1	366	0964M
GDM4110T	156	6855	L1	497	1064M
GDM4115T	156	7096	L1	552	1246M
GF0513AG	338	504	GB	20	
GF0513AJ	338	504	GB	20	
GF0515AG	338	539	GB	25	
GF0515AH	338	571	GB	25	
GF0515BG	338	539	GB	25	
GF0518AG	338	552	GB	30	
GF0518BG	338	552	GB	30	

⁽¹⁾ Shipping weight is approximate.

Baldor
Mod Express

ABB
Mod Express

ABB ATEX
Mod Express

Product
Index

Baldor
Sales Offices

Catalog Number	Page Number	List Price	Mult Sym.	Ship Wgt ⁽¹⁾	Type Code
GF0521BG	338	691	GB	35	
GF0521BJ	338	691	GB	35	
GF0524CG	338	815	GB	49	
GF0526CG	338	945	GB	59	
GF0530CG	338	1285	GB	68	
GF0538DH	338	1798	GB	123	
GF1013AG	338	504	GB	20	
GF1013AJ	338	504	GB	20	
GF1015AH	338	571	GB	25	
GF1015BG	338	539	GB	20	
GF1018AG	338	552	GB	30	
GF1018AH	338	585	GB	29	
GF1018AJ	338	552	GB	30	
GF1018BG	338	552	GB	30	
GF1021AG	338	691	GB	35	
GF1021AH	339	728	GB	35	
GF1021BG	339	691	GB	35	
GF1024BG	339	815	GB	40	
GF1026BG	339	945	GB	52	
GF1026CG	339	945	GB	60	
GF1030CG	339	1285	GB	72	
GF1032CG	339	1393	GB	97	
GF1038DG	339	1701	GB	126	
GF10G21AG	338	691	GB	30	
GF1513AG	339	504	GB	20	
GF1513AH	339	533	GB	20	
GF1513AJ	339	504	GB	20	
GF1515AG	339	539	GB	25	
GF1515AH	339	571	GB	25	
GF1518AG	339	552	GB	30	
GF1518AH	339	585	GB	30	
GF1518AJ	339	552	GB	30	
GF1521AG	339	691	GB	35	
GF1521AH	339	728	GB	35	
GF1521AJ	339	691	GB	35	
GF1521BG	339	691	GB	35	
GF1524AG	339	815	GB	40	
GF1524AJ	339	815	GB	40	
GF1524BG	339	815	GB	40	
GF1526BG	339	945	GB	55	
GF1530CG	339	1285	GB	68	
GF1532BG	339	1393	GB	87	
GF1532CG	339	1393	GB	97	
GF1538CG	339	1701	GB	119	
GF2013AG	339	504	GB	20	
GF2013AH	339	533	GB	20	
GF2015AG	339	539	GB	25	
GF2015AH	339	571	GB	25	
GF2018AG	339	552	GB	30	
GF2018AH	339	585	GB	30	

Catalog Number	Page Number	List Price	Mult Sym.	Ship Wgt ⁽¹⁾	Type Code
GF2018AJ	339	552	GB	30	
GF2021AG	339	691	GB	35	
GF2021AH	340	728	GB	35	
GF2021AJ	339	691	GB	35	
GF2021BG	340	691	GB	35	
GF2024AG	340	815	GB	40	
GF2024BG	340	815	GB	40	
GF2026AG	340	945	GB	55	
GF2026BG	340	945	GB	52	
GF2030BG	340	1285	GB	68	
GF2030CG	340	1285	GB	68	
GF2030CJ	340	1285	GB	72	
GF2032BG	340	1393	GB	87	
GF2032CG	340	1393	GB	97	
GF2038CG	340	1701	GB	120	
GF20G21AG	339	691	GB	35	
GF20G21BG	340	691	GB	30	
GF2513AG	340	504	GB	20	
GF2515AG	340	539	GB	25	
GF2518AG	340	552	GB	28.16	
GF2518AJ	340	552	GB	30	
GF2521AG	340	691	GB	35	
GF2521AJ	340	691	GB	35	
GF2524AG	340	815	GB	40	
GF2524BG	340	815	GB	40	
GF2526BG	340	945	GB	52	
GF2530AG	340	1285	GB	68	
GF2530BG	340	1285	GB	68	
GF2532BG	340	1393	GB	91	
GF2538CH	340	1798	GB	126	
GF25G21AG	340	691	GB	40	
GF3013AG	340	504	GB	20	
GF3013AH	340	533	GB	20	
GF3015AG	340	539	GB	25	
GF3015AH	340	571	GB	25	
GF3018AG	340	592	GB	30	
GF3018AH	340	585	GB	30	
GF3018AJ	340	552	GB	30	
GF3021AG	340	691	GB	35	
GF3021AH	340	728	GB	35	
GF3021AJ	340	691	GB	35	
GF3024AG	340	815	GB	40	
GF3024AJ	340	815	GB	40	
GF3024BG	340	815	GB	40	
GF3026AG	340	945	GB	52	
GF3026BG	340	945	GB	55	
GF3030AG	340	1285	GB	68	
GF3030AJ	340	1285	GB	68	
GF3030BG	340	1285	GB	65	
GF3032BG	340	1393	GB	91	

Catalog Number	Page Number	List Price	Mult Sym.	Ship Wgt ⁽¹⁾	Type Code
GF3038CG	340	1701	GB	126	
GF30G21AG	340	691	GB	30	
GF4013AG	341	504	GB	20	
GF4013AH	341	533	GB	20	
GF4015AG	341	539	GB	25	
GF4015AJ	341	539	GB	25	
GF4018AG	341	552	GB	30	
GF4018AJ	341	552	GB	30	
GF4021AG	341	691	GB	35	
GF4021AJ	341	691	GB	35	
GF4024AG	341	815	GB	40	
GF4024AH	341	861	GB	40	
GF4024AJ	341	815	GB	40	
GF4026AG	341	945	GB	55	
GF4026AJ	341	945	GB	52	
GF4026BG	341	945	GB	55	
GF4030AG	341	1285	GB	68	
GF4030BG	341	1285	GB	68	
GF4032BG	341	1393	GB	88	
GF4038CG	341	1701	GB	126	
GF4038CH	341	1798	GB	126	
GF5013AG	341	504	GB	20	
GF5013AH	341	533	GB	20	
GF5015AG	341	539	GB	25	
GF5018AG	341	552	GB	30	
GF5018AJ	341	552	GB	30	
GF5021AG	341	691	GB	35	
GF5021AH	341	728	GB	35	
GF5021AJ	341	691	GB	35	
GF5024AG	341	815	GB	40	
GF5026AG	341	945	GB	55	
GF5026BG	341	945	GB	52	
GF5030AG	341	1285	GB	65	
GF5030BG	341	1285	GB	68	
GF5032AG	341	1393	GB	87	
GF5032BG	341	1393	GB	87	
GF5038BG	341	1701	GB	117	
GF5038BH	341	1798	GB	126	
GF6015AG	341	539	GB	25	
GF6015AH	341	571	GB	25	
GF6018AG	341	552	GB	30	
GF6018AH	341	585	GB	30	
GF6018AJ	341	552	GB	30	
GF6021AG	342	691	GB	35	
GF6021AH	342	728	GB	35	
GF6021AJ	342	691	GB	35	
GF6024AG	342	815	GB	40	
GF6024AJ	342	815	GB	40	
GF6026AG	342	945	GB	55	
GF6026AH	342	996	GB	55	

Catalog Number	Page Number	List Price	Mult Sym.	Ship Wgt ⁽¹⁾	Type Code
GF6026AJ	342	945	GB	55	
GF6030AG	342	1285	GB	65	
GF6030BG	342	1285	GB	68	
GF6032AG	342	1393	GB	90	
GF6032BG	342	1393	GB	91	
GF6038BG	342	1701	GB	117	
GF6038BH	342	1798	GB	126	
GHEM31010	322	1214	DS	45	
GHF0513AH	343	664	GB	20	
GHF0518AH	343	710	GB	30	
GHF1018AH	343	710	GB	30	
GHF1021AH	343	842	GB	35	
GHF1030CH	343	1527	GB	75	
GHF1513AH	343	664	GB	20	
GHF1518AH	343	710	GB	30	
GHF1521AH	343	842	GB	35	
GHF1524AH	343	1013	GB	45	
GHF1530BH	343	1527	GB	75	
GHF2013AH	343	664	GB	20	
GHF2018AH	343	710	GB	30	
GHF2021AH	343	842	GB	35	
GHF2024AH	343	1013	GB	42	
GHF2026AH	343	1195	GB	56	
GHF2030BH	343	1527	GB	72	
GHF2518AH	343	710	GB	30	
GHF2521AH	343	842	GB	32	
GHF2526BH	343	1195	GB	56	
GHF2530BH	343	1527	GB	88	
GHF3013AH	343	664	GB	20	
GHF3018AH	343	710	GB	30	
GHF3021AH	343	842	GB	35	
GHF3024AH	343	1013	GB	45	
GHF3026AH	343	1195	GB	56	
GHF3030BH	343	1527	GB	75	
GHF3032BH	343	1655	GB	95	
GHF4018AH	343	710	GB	30	
GHF4021AH	343	842	GB	35	
GHF4024AH	343	1013	GB	42	
GHF4026AH	343	1195	GB	56	
GHF4026BH	343	1195	GB	56	
GHF4032BH	343	1655	GB	95	
GHF5013AH	343	664	GB	20	
GHF5018AH	343	710	GB	30	
GHF5021AH	343	842	GB	35	
GHF5024AH	343	1013	GB	45	
GHF5030AH	343	1527	GB	75	
GHF5032AH	343	1655	GB	95	
GHF6018AH	343	710	GB	30	
GHF6021AH	343	842	GB	35	
GHF6024AH	343	1013	GB	42	

⁽¹⁾ Shipping weight is approximate.

Baldor
Mod Express

ABB
Mod Express

ABB ATEX
Mod Express

Product
Index

Baldor
Sales Offices

Catalog Number	Page Number	List Price	Mult Sym.	Ship Wgt ⁽¹⁾	Type Code
GHF6026AH	343	1195	GB	56	
GHF6030AH	343	1527	GB	71	
GHF6032AH	343	1655	GB	95	
GHH0556	337	641	GB	11	
GHH1056	337	641	GB	11	
GHH1556	337	641	GB	11	
GHH2056	337	641	GB	11	
GHH2556	337	641	GB	36	
GHH4056	337	641	GB	36	
GHH5056	337	641	GB	36	
GHL31010	322	1379	DS	55	
GHL31020	322	1379	DS	55	
GHL31030	322	1379	DS	55	
GHL35010	322	1123	DS	45	
GHL35020	322	1123	DS	45	
GHL35030	322	1123	DS	45	
GHL35060	322	1123	DS	45	
GHL37510	322	1208	DS	50	
GHL37520	322	1208	DS	50	
GHL37530	322	1208	DS	50	
GHM31020	322	1114	DS	45	
GHM31030	322	1114	DS	48	
GHM35010	322	1083	DS	40	
GHM35020	322	1083	DS	40	
GHM35030	322	1083	DS	40	
GHM35040	322	1083	DS	27	
GHM35050	322	1083	DS	40	
GHM35060	322	1083	DS	40	
GHM37510	322	1114	DS	42	
GHM37520	322	1114	DS	42	
GHM37530	322	1114	DS	42	
GHP13530	315	834	DS	12	
GHP13531	315	834	DS	12	
GHP13532	315	834	DS	12	
GHP13533	315	834	DS	12	
GHP13536	315	834	DS	12	
GIF0938A	352	998	GB	33	
GIF0938B	352	998	GB	37	
GIF0938C	352	1093	GB	32	
GIF0948C	352	1578	GB	77	
GIF0968D	352	2472	GB	101	
GIF1438A	352	998	GB	29	
GIF1438B	352	998	GB	31	
GIF1448C	352	1578	GB	55	
GIF1468C	352	2472	GB	93	
GIF1468D	352	2472	GB	101	
GIF1488E	352	3810	GB	229	
GIF1838A	352	998	GB	29	
GIF1838B	352	998	GB	31	
GIF1848B	352	1384	GB	54	

Catalog Number	Page Number	List Price	Mult Sym.	Ship Wgt ⁽¹⁾	Type Code
GIF1848C	352	1578	GB	85	
GIF1868C	352	2472	GB	122	
GIF1868D	352	2472	GB	101	
GIF1888E	352	3810	GB	229	
GIF2538A	352	998	GB	33	
GIF2538B	352	998	GB	36	
GIF2548B	352	1384	GB	54	
GIF2548C	352	1578	GB	55	
GIF2568C	352	2472	GB	93	
GIF2588D	352	3589	GB	253	
GIF2588E	352	3810	GB	229	
GIF4038A	352	998	GB	33	
GIF4048A	352	1384	GB	52	
GIF4048B	352	1384	GB	54	
GIF4068C	352	2472	GB	93	
GIF4088D	352	3589	GB	178	
GIF5068B	352	2279	GB	103	
GIF5088C	352	3589	GB	178	
GIF5638A	352	1205	GB	29	
GIF5648A	352	1518	GB	52	
GL3326	312	701	DS	18	
GL3327	312	701	DS	21	
GL3328	312	701	DS	21	
GL3329	312	701	DS	18	
GLF0515AG	347	561	GB	30	
GLF0821AG	347	710	GB	38	
GLF0821AJ	347	710	GB	38	
GLF0821BG	347	710	GB	38	
GLF0826BG	347	974	GB	60	
GLF0826CG	347	974	GB	66	
GLF1018AG	347	575	GB	32	
GLF1021AG	347	710	GB	38	
GLF1021BG	347	710	GB	38	
GLF1021BJ	347	710	GB	38	
GLF1024BG	347	834	GB	45	
GLF1026BG	347	974	GB	60	
GLF1026CG	347	974	GB	60	
GLF1032CG	347	1419	GB	104	
GLF1513AG	347	516	GB	20	
GLF1521AG	347	710	GB	38	
GLF1521AJ	347	710	GB	38	
GLF1526BG	347	974	GB	60	
GLF1526BJ	347	974	GB	60	
GLF1532CG	347	1419	GB	100	
GLF1532CJ	347	1419	GB	105	
GLF1538CG	347	1733	GB	130	
GLF2013AG	347	516	GB	20	
GLF2018AG	347	575	GB	32	
GLF2021AG	347	710	GB	38	
GLF2021AJ	348	710	GB	38	

⁽¹⁾ Shipping weight is approximate.

Catalog Number	Page Number	List Price	Mult Sym.	Ship Wgt ⁽¹⁾	Type Code
GLF2026BG	348	974	GB	60	
GLF2026BJ	348	974	GB	60	
GLF2032CG	348	1419	GB	100	
GLF2515AG	348	561	GB	30	
GLF2518AG	348	575	GB	32	
GLF2521AG	348	710	GB	38	
GLF2521AJ	348	710	GB	38	
GLF2526AG	348	974	GB	60	
GLF2526BG	348	974	GB	60	
GLF2526BJ	348	974	GB	60	
GLF2532BG	348	1419	GB	100	
GLF2532CG	348	1419	GB	100	
GLF2532CJ	348	1419	GB	100	
GLF3013AG	348	516	GB	20	
GLF3015AG	348	561	GB	30	
GLF3018AG	348	575	GB	32	
GLF3018AJ	348	575	GB	32	
GLF3021AG	348	710	GB	38	
GLF3024AG	348	834	GB	45	
GLF3026BG	348	974	GB	60	
GLF3026BJ	348	974	GB	60	
GLF3032CG	348	1419	GB	100	
GLF3038CG	348	1733	GB	130	
GLF4018AG	348	575	GB	32	
GLF4024AG	348	834	GB	45	
GLF4026AG	348	974	GB	60	
GLF4032BG	348	1419	GB	100	
GLF4038CG	348	1733	GB	130	
GLF5021AG	348	710	GB	38	
GLF5026AG	348	974	GB	60	
GLF6015AG	348	561	GB	30	
GLF6018AG	348	575	GB	32	
GLF6021AG	348	710	GB	38	
GLF6026AG	348	974	GB	60	
GLF6032AG	348	1419	GB	100	
GLF6032BG	348	1419	GB	100	
GLP25005	329	819	DS	24	
GLP25011	329	819	DS	21	
GLP25015	329	819	DS	21	
GLP25019	329	819	DS	24	
GLP25029	329	870	DS	24	
GLP25036	329	870	DS	16	
GLP3310	329	990	DS	25	
GLP3328	329	990	DS	28	
GLP3330	329	990	DS	25	
GLP3332	329	931	DS	25	
GLP3336	329	931	DS	27	
GLP3338	329	931	DS	25	
GLP3342	329	1044	DS	32	
GLP3344	329	985	DS	31	

Catalog Number	Page Number	List Price	Mult Sym.	Ship Wgt ⁽¹⁾	Type Code
GLP3346	329	985	DS	31	
GLP3348	329	985	DS	31	
GM2501	318	867	DS	26	
GM25016	306	730	DS	15	
GM25021	306	730	DS	15	
GM25022	308	558	DS	13	
GM25024	308	558	DS	13	
GM25026	308	542	DS	12	
GM2503	318	867	DS	27	
GM2506	318	867	DS	26	
GM25060	310	959	DS	20	
GM2507	318	867	DS	26	
GM25080	310	959	DS	20	
GM25120	310	959	DS	10	
GM25190	310	959	DS	20	
GM25280	310	959	DS	12	
GM3301	318	873	DS	28	
GM3303	318	873	DS	18	
GM3306	318	873	DS	16	
GM3307	318	873	DS	16	
GM3329	308	703	DS	11	
GM3331	316	738	DS	13	
GM3334	318	852	DS	18	
GM3337	318	852	DS	18	
GM3338	318	852	DS	15	
GM3340	312	848	DS	16	
GM3345	312	848	DS	16	
GM3347	312	848	DS	16	
GM3349	312	848	DS	16	
GMP12006	335	1143	DS	40	
GMP12011	335	1143	DS	40	
GMP12013	335	1143	DS	40	
GMP12019	335	1143	DS	40	
GMP12029	335	1143	DS	40	
GMP12044	335	1143	DS	40	
GMP12082	335	1100	DS	35	
GMP12096	335	1100	DS	35	
GMP12145	335	1100	DS	35	
GMP3330	329	1035	DS	27	
GMP3332	329	977	DS	27	
GMP3336	329	977	DS	25	
GMP3338	329	977	DS	24	
GMP3340	329	1035	DS	27	
GMP3342	329	1035	DS	27	
GMP3344	329	977	DS	25	
GMP3348	329	977	DS	25	
GP12511	313	690	DS	10	
GP12512	313	690	DS	10	
GP12514	313	690	DS	10	
GP12516	313	690	DS	10	

⁽¹⁾ Shipping weight is approximate.

Baldor
Mod Express

ABB
Mod Express

ABB ATEX
Mod Express

Product
Index

Baldor
Sales Offices

Catalog Number	Page Number	List Price	Mult Sym.	Ship Wgt ⁽¹⁾	Type Code
GP13530	313	725	DS	13	
GP13531	313	725	DS	13	
GP13532	313	725	DS	13	
GP13533	313	725	DS	13	
GP13536	313	725	DS	13	
GP231001	303	439	DS	5	
GP231002	303	439	DS	5	
GP231003	303	407	DS	5	
GP231004	316	542	DS	8	
GP231005	304	427	DS	5	
GP231006	304	438	DS	8	
GP231007	304	684	DS	5	
GP232001	303	439	DS	5	
GP232002	308	542	DS	7	
GP232003	316	542	DS	8	
GP232004	305	606	DS	7	
GP232005	305	606	DS	7	
GP232006	305	606	DS	7	
GP232007	305	632	DS	7	
GP233001	308	561	DS	7	
GP233002	308	561	DS	7	
GP233003	308	561	DS	8	
GP233004	316	561	DS	8	
GP233005	316	561	DS	8	
GP233006	316	561	DS	8	
GP233007	308	561	DS	7	
GP233020	305	632	DS	7	
GP233021	308	561	DS	7	
GP233022	308	561	DS	7	
GP233023	308	561	DS	7	
GP233024	316	561	DS	16	
GP233025	316	561	DS	8	
GP233026	316	561	DS	8	
GP233027	305	660	DS	7	
GP233028	305	632	DS	7	
GP233029	305	632	DS	7	
GP24060	310	965	DS	16	
GP24120	310	965	DS	16	
GP24190	310	965	DS	16	
GP24280	310	965	DS	16	
GP2501	319	944	DS	21	
GP2503	319	944	DS	21	
GP2506	319	944	DS	21	
GP2507	319	944	DS	21	
GP3301	319	1096	DS	30	
GP3303	319	1096	DS	30	
GP3306	319	1096	DS	30	
GP3307	319	1096	DS	30	
GP7304	306	889	DS	13	
GP7400	319	770	DS	14	

Catalog Number	Page Number	List Price	Mult Sym.	Ship Wgt ⁽¹⁾	Type Code
GP7401	319	770	DS	14	
GP7402	319	770	DS	14	
GP7403	319	770	DS	14	
GP7404	319	770	DS	13	
GP7405	319	770	DS	14	
GP7406	319	770	DS	14	
GP7407	319	770	DS	14	
GP7408	319	770	DS	14	
GP7409	306	848	DS	15	
GP7413	319	770	DS	14	
GP7420	319	770	DS	14	
GP7421	319	770	DS	14	
GP7422	319	770	DS	14	
GP7423	319	770	DS	14	
GP7424	319	770	DS	14	
GP7425	319	770	DS	14	
GP7426	319	770	DS	14	
GP7427	319	770	DS	14	
GP7428	319	770	DS	14	
GP7429	306	875	DS	15	
GP7433	319	770	DS	14	
GPB231008	304	722	DS	10	
GPF13514	321	799	DS	15	
GPF13515	321	799	DS	15	
GPF13516	321	799	DS	15	
GPF13517	321	799	DS	15	
GPF13530	321	799	DS	15	
GPF13532	321	799	DS	15	
GPP12501	325	537	DS	8	
GPP12502	325	537	DS	8	
GPP12503	325	537	DS	8	
GPP12504	325	542	DS	8	
GPP12505	325	542	DS	8	
GPP12521	325	537	DS	9	
GPP12525	325	552	DS	11	
GPP12540	328	663	DS	10	
GPP12541	328	663	DS	10	
GPP12542	328	663	DS	10	
GPP12543	328	663	DS	12	
GPP12544	328	694	DS	12	
GPP12545	328	694	DS	12	
GPP12547	328	694	DS	12	
GPP12555	328	663	DS	12	
GPP12556	328	694	DS	12	
GPP12559	328	663	DS	12	
GPP12560	328	663	DS	11	
GPP12561	328	663	DS	11	
GPP12564	328	670	DS	11	
GPP12567	328	670	DS	11	
GPP128017	336	1176	DS	36	

⁽¹⁾ Shipping weight is approximate.

Catalog Number	Page Number	List Price	Mult Sym.	Ship Wgt ⁽¹⁾	Type Code
GPP128027	336	1176	DS	36	
GPP128040	336	1176	DS	36	
GPP128060	336	1206	DS	36	
GPP128123	336	1206	DS	36	
GPP128173	336	1206	DS	36	
GPP128284	336	1192	DS	35	
GPP129017	336	1176	DS	36	
GPP129027	336	1176	DS	36	
GPP129040	336	1176	DS	36	
GPP129060	336	1206	DS	36	
GPP129123	336	1206	DS	36	
GPP129173	336	1206	DS	36	
GPP129284	336	1192	DS	35	
GPP230005	325	537	DS	7	
GPP230007	325	537	DS	7	
GPP230010	325	537	DS	7	
GPP230013	325	537	DS	7	
GPP230019	325	537	DS	7	
GPP230025	325	537	DS	7	
GPP230037	325	542	DS	7	
GPP230053	328	675	DS	7	
GPP230072	325	542	DS	7	
GPP230139	325	552	DS	7	
GPP230186	325	552	DS	12	
GPP231108	325	552	DS	6	
GPP231109	325	542	DS	6	
GPP231110	325	537	DS	6	
GPP231329	328	693	DS	7	
GPP232110	325	552	DS	7	
GPP233111	325	542	DS	8	
GPP233112	325	542	DS	8	
GPP233120	325	561	DS	8	
GPP233121	325	552	DS	8	
GPP233140	328	693	DS	10	
GPP233141	328	693	DS	8	
GPP24005	328	726	DS	12	
GPP24011	328	726	DS	12	
GPP24019	328	726	DS	12	
GPP2530	333	1146	DS	24	
GPP2534	333	1091	DS	24	
GPP2538	333	1091	DS	24	
GPP3340	333	1288	DS	31	
GPP3344	333	1232	DS	31	
GPP3348	333	1232	DS	31	
GPP3370	333	1288	DS	31	
GPP3374	333	1232	DS	31	
GPP3378	333	1232	DS	31	
GPP3380	333	1288	DS	31	
GPP3384	333	1232	DS	31	
GPP3388	333	1232	DS	31	

Catalog Number	Page Number	List Price	Mult Sym.	Ship Wgt ⁽¹⁾	Type Code
GPP7450	333	772	DS	13	
GPP7451	333	772	DS	13	
GPP7452	333	772	DS	13	
GPP7453	333	772	DS	13	
GPP7454	333	840	DS	14	
GPP7455	333	840	DS	14	
GPP7456	333	840	DS	14	
GPP7457	333	875	DS	15	
GPP7458	333	875	DS	15	
GPP7459	333	875	DS	13	
GPP7460	333	840	DS	14	
GPP7461	333	875	DS	15	
GPP7462	333	875	DS	13	
GPP7470	333	772	DS	13	
GPP7471	333	772	DS	13	
GPP7472	333	772	DS	13	
GPP7473	333	772	DS	13	
GPP7474	333	840	DS	14	
GPP7475	333	840	DS	14	
GPP7476	333	840	DS	14	
GPP7477	333	875	DS	15	
GPP7478	333	875	DS	17	
GPP7479	333	875	DS	14	
GS1018G	349	482	GB	25	
GS1021G	349	568	GB	28	
GS1026G	349	798	GB	50	
GS1515G	349	476	GB	21	
GS1518G	349	482	GB	25	
GS1521G	349	568	GB	28	
GS2018G	349	482	GB	25	
GS2021G	349	568	GB	28	
GS2024G	349	708	GB	38	
GS2026G	349	798	GB	50	
GS2515G	349	476	GB	21	
GS3013G	349	461	GB	18	
GS3018G	349	482	GB	25	
GS3021G	349	568	GB	28	
GS3026G	349	798	GB	50	
GS4015G	349	476	GB	21	
GS4018G	349	482	GB	25	
GS4021G	349	568	GB	28	
GS4026G	349	798	GB	50	
GS5018G	349	482	GB	25	
GS5021G	349	568	GB	28	
GS5026G	349	798	GB	50	
GS6013G	349	461	GB	15	
GS6015G	349	476	GB	21	
GS6018G	349	482	GB	25	
GS6021G	349	568	GB	31	
GS6024G	349	708	GB	38	

⁽¹⁾ Shipping weight is approximate.

Baldor
Mod Express

ABB
Mod Express

ABB ATEX
Mod Express

Product
Index

Baldor
Sales Offices

Catalog Number	Page Number	List Price	Mult Sym.	Ship Wgt ⁽¹⁾	Type Code
GS6026G	349	798	GB	50	
GSF1013AA	350	629	GB	21	
GSF1018AA	350	689	GB	22	
GSF1018BA	350	689	GB	23	
GSF1020AA	350	821	GB	30	
GSF1020BA	350	821	GB	29	
GSF1023BA	350	932	GB	32	
GSF1026BA	350	1188	GB	49	
GSF1026CA	350	1188	GB	55	
GSF1030CA	350	1357	GB	61	
GSF1513AA	350	629	GB	21	
GSF1518AA	350	689	GB	23	
GSF1520AA	350	821	GB	31	
GSF1523AA	350	932	GB	34	
GSF1523BA	350	932	GB	33	
GSF1526BA	350	1188	GB	51	
GSF1530BA	350	1357	GB	57	
GSF1530CA	350	1357	GB	61	
GSF1535CA	350	1862	GB	89	
GSF2013AA	350	629	GB	20	
GSF2018AA	350	689	GB	23	
GSF2020AA	350	821	GB	30	
GSF2020BA	350	821	GB	28	
GSF2023AA	350	932	GB	34	
GSF2023BA	350	932	GB	33	
GSF2026AA	350	1188	GB	51	
GSF2026BA	350	1188	GB	51	
GSF2030BA	350	1357	GB	57	
GSF2030CA	350	1357	GB	62	
GSF2035CA	350	1862	GB	93	
GSF2513AA	351	629	GB	21	
GSF2518AA	351	689	GB	23	
GSF2520AA	351	821	GB	29	
GSF2523AA	351	932	GB	33	
GSF2530BA	351	1357	GB	56	
GSF3013AA	351	629	GB	21	
GSF3018AA	351	689	GB	22	
GSF3020AA	351	821	GB	30	
GSF3023AA	351	932	GB	33	
GSF3026AA	351	1188	GB	50	
GSF3030BA	351	1357	GB	57	
GSF3035BA	351	1862	GB	90	
GSF4013AA	351	629	GB	21	
GSF4018AA	351	1516	GB	11	
GSF4020AA	351	821	GB	30	
GSF4023AA	351	932	GB	33	
GSF4026AA	351	1188	GB	51	
GSF4030AA	351	1357	GB	57	
GSF4030BA	351	1357	GB	54	
GSF4035BA	351	1862	GB	87	

Catalog Number	Page Number	List Price	Mult Sym.	Ship Wgt ⁽¹⁾	Type Code
GSF5013AA	351	629	GB	21	
GSF5018AA	351	689	GB	23	
GSF5020AA	351	821	GB	30	
GSF5023AA	351	932	GB	33	
GSF5026AA	351	1188	GB	51	
GSF5030BA	351	1357	GB	57	
GSF5035BA	351	1862	GB	89	
GSF6018AA	351	689	GB	23	
GSF6020AA	351	821	GB	31	
GSF6023AA	351	932	GB	33	
GSF6026AA	351	1188	GB	51	
GSF6030AA	351	1357	GB	56	
GSF6035BA	351	1862	GB	89	
GSL3509M	159	776	K	41	3523LC
HA5027A03	361	7	A8	1	
HIC264A	162	360	K	20	3414C
HIC274A	162	360	K	20	3414C
HPM3615T	134	842	L1	82	3634M
HPM3710T	134	1082	L1	127	3731M
HPM3714T	134	1277	L1	136	3740M
ID5202-CO	266	753	E9	5	
ID5203-BO	266	1159	E9	6	
ID5203-CO	266	793	E9	5	
ID5203-WO	266	1219	E9	6	
ID5205-BO	266	1645	E9	22	
ID5205-WO	266	1731	E9	22	
ID5401-CO	266	820	E9	5	
ID5402-CO	266	842	E9	5	
ID5403-BO	266	1230	E9	6	
ID5403-CO	266	866	E9	5	
ID5403-WO	266	1291	E9	6	
ID5405-BO	266	1315	E9	6	
ID5405-CO	266	1104	E9	5	
ID5405-WO	266	1373	E9	6	
ID5410-BO	266	2427	E9	22	
ID5410-WO	266	2555	E9	22	
ID5601-BO	266	715	E9	6	
ID5601-CO	266	478	E9	5	
ID5601-EO	266	576	E9	6	
ID5601-WO	266	763	E9	6	
ID5602-BO	266	1015	E9	8	
ID5602-CO	266	621	E9	6	
ID5602-WO	266	1076	E9	6	
ID56F50-CO	266	395	E9	4	
ID5AMS-1	266	59	E9	1	
ID5AMS-2	266	94	E9	2	
ID5FRS-1	266	33	E9	1	
ID5FRS-2	266	33	E9	1	
ID5FRS-3	266	67	E9	2	
ID5RGA-1	266	214	E9	3	

⁽¹⁾ Shipping weight is approximate.

Catalog Number	Page Number	List Price	Mult Sym.	Ship Wgt ⁽¹⁾	Type Code
ID5SI-1	266	213	E9	4	
ID5SI-2	266	240	E9	1	
ID5SI-3	266	255	E9	2	
IDBRPM18154C	206	4522	E2	180	
IDBRPM18204C	206	4983	E2	209	
IDBRPM21254C	206	5800	E2	290	
IDBRPM21304C	206	5800	E2	290	
IDBRPM21404	206	6409	E2	355	
IDBRPM25504	206	7147	E2	475	
IDBRPM25604	206	10549	E2	540	
IDBRPM25754	206	12599	E2	605	
IDBRPM281004R1	206	14259	E2	805	
IDBRPM281254	206	15089	E2	890	
IDBRPM321254	206	21135	E2	1170	
IDBRPM321504	206	28276	E2	1310	
IDBRPM321504R1	206	28276	E2	1310	
IDBRPM362004	207	31281	E2	1700	
IDBRPM362004R1	207	29277	E2	1950	
IDBRPM362504R1	207	31279	E2	2000	
IDBRPM402004	207	33751	E2	1750	
IDBRPM402504	207	39164	E2	2150	
IDBRPM403004	207	48044	E2	2450	
IDBRPM403004R1	207	39163	E2	2620	
IDBRPM444004	207	64562	E2	3940	
IDBRPM445004	207	74643	E2	4260	
IDBRPM446004	207	75188	E2	4905	
IDDRPM18254C	206	5244	E2	200	
IDDRPM18304C	206	5456	E2	230	
IDDRPM21404	206	6356	E2	305	
IDDRPM21504	206	8556	E2	345	
IDDRPM21604	206	8556	E2	345	
IDDRPM251004	206	12458	E2	545	
IDDRPM251254	206	16509	E2	615	
IDDRPM25506	206	10275	E2	480	
IDDRPM25606	206	12458	E2	545	
IDDRPM25754	206	10275	E2	480	
IDDRPM25756	206	16509	E2	615	
IDDRPM281006	206	18432	E2	770	
IDDRPM281256	206	24030	E2	930	
IDDRPM281504	206	18432	E2	770	
IDDRPM282004	207	24030	E2	930	
IDDRPM321506	206	28276	E2	1185	
IDDRPM321506R1	206	28276	E2	1185	
IDDRPM322006	207	32927	E2	1325	
IDDRPM322006R1	207	32927	E2	1325	
IDDRPM322504	207	28276	E2	1185	
IDDRPM322504R1	207	28276	E2	1185	
IDDRPM323004	207	32927	E2	1325	
IDDRPM323004R1	207	32927	E2	1325	
IDDRPM362504	207	41696	E2	1715	

Catalog Number	Page Number	List Price	Mult Sym.	Ship Wgt ⁽¹⁾	Type Code
IDDRPM362506R1	207	35848	E2	1680	
IDDRPM363006R1	207	41695	E2	2000	
IDDRPM363504	207	41696	E2	1715	
IDDRPM363504R1	207	35848	E2	1680	
IDDRPM364004	207	41696	E2	1715	
IDDRPM364004R1	207	41696	E2	2000	
IDDRPM403006	207	55045	E2	2000	
IDDRPM404006	207	67104	E2	2000	
IDDRPM404006R1	207	55042	E2	2530	
IDDRPM405004	207	55045	E2	2050	
IDDRPM405004R1	207	48367	E2	2260	
IDDRPM406004	207	67104	E2	2000	
IDDRPM406004R1	207	55042	E2	2530	
IDDRPM407004R1	207	70456	E2	3080	
IDDRPM4410004	207	104952	E2	3889	
IDDRPM4410004R1	207	104952	E2	3505	
IDDRPM445006	207	104952	E2	3889	
IDDRPM445006R1	207	104952	E2	3505	
IDDRPM447004	207	83747	E2	3004	
IDFRPM18104C	206	4376	E2	179	
IDFRPM21154C	206	5450	E2	290	
IDFRPM21204C	206	5450	E2	290	
IDFRPM21254C	206	5886	E2	355	
IDFRPM25304C	206	6195	E2	475	
IDFRPM25404	206	6739	E2	605	
IDFRPM28504	206	11510	E2	720	
IDFRPM28604	206	11510	E2	795	
IDFRPM28754	206	13751	E2	880	
IDGHM2500	217, 315	998	E2	19	
IDGHM2501	217, 315	998	E2	19	
IDGHM2503	217, 315	998	E2	19	
IDGHM2504	217, 315	998	E2	19	
IDGHM2506	217, 315	998	E2	19	
IDGHM2508	217, 315	998	E2	19	
IDGHM2509	217, 315	998	E2	19	
IDGM2301	217, 305	660	E2	10	
IDGM2302	217, 305	660	E2	10	
IDGM2401	217, 303	505	E2	7	
IDGM2402	217, 303	505	E2	7	
IDGM2403	217, 303	505	E2	7	
IDGM2404	217, 308	612	E2	13	
IDGM2405	217, 308	612	E2	13	
IDGM2406	217, 308	612	E2	13	
IDGM2500	217, 313	868	E2	17	
IDGM2501	217, 313	868	E2	17	
IDGM2503	217, 313	868	E2	17	
IDGM2506	217, 313	868	E2	17	
IDGM2508	217, 313	868	E2	17	
IDGM2509	217, 313	868	E2	17	
IDGM2511	217, 306	840	E2	15	

Baldor Mod Express
ABB Mod Express
ABB ATEX Mod Express
Product Index
Baldor Sales Offices

⁽¹⁾ Shipping weight is approximate.

Baldor
Mod Express

ABB
Mod Express

ABB ATEX
Mod Express

Product
Index

Baldor
Sales Offices

Catalog Number	Page Number	List Price	Mult Sym.	Ship Wgt ⁽¹⁾	Type Code
IDGM2512	217, 306	840	E2	15	
IDGM2513	217, 310	1036	E2	20	
IDGM2514	217, 310	1036	E2	20	
IDGM2515	217, 310	1036	E2	20	
IDGM3300	217, 318	961	E2	30	
IDGM3301	217, 318	961	E2	30	
IDGM3302	217, 318	942	E2	28	
IDGM3303	217, 318	942	E2	28	
IDGMP12006	219, 335	1314	E2	40	
IDGMP12011	219, 335	1314	E2	40	
IDGMP12013	219, 335	1314	E2	40	
IDGMP12019	219, 335	1314	E2	40	
IDGMP12029	219, 335	1314	E2	40	
IDGMP12044	219, 335	1314	E2	40	
IDGMP12082	219, 335	1265	E2	35	
IDGMP12096	219, 335	1265	E2	35	
IDGMP12145	219, 335	1265	E2	35	
IDGMP24005	218, 323	561	E2	12	
IDGMP24010	218, 323	561	E2	12	
IDGMP24020	218, 323	561	E2	12	
IDGMP24030	218, 323	595	E2	14	
IDGMP24060	218, 323	595	E2	11	
IDGMP24090	218, 323	613	E2	13	
IDGMP24180	218, 323	613	E2	11	
IDGMP2500	218, 330	1012	E2	18	
IDGMP25006	218, 326	667	E2	16	
IDGMP25007	330	1012	E2	25	
IDGMP25008	218, 330	1025	E2	17	
IDGMP2501	218, 330	1012	E2	18	
IDGMP25011	218, 326	667	E2	16	
IDGMP25012	330	1012	E2	25	
IDGMP25013	218, 330	1025	E2	17	
IDGMP25015	330	1012	E2	25	
IDGMP25021	218, 326	698	E2	14	
IDGMP25022	330	1012	E2	25	
IDGMP25023	218, 330	1025	E2	17	
IDGMP2503	218, 330	1012	E2	18	
IDGMP25031	218, 326	698	E2	14	
IDGMP25032	330	1037	E2	28	
IDGMP25033	218, 330	1044	E2	18	
IDGMP25040	330	1037	E2	28	
IDGMP2505	218, 330	1037	E2	20	
IDGMP25061	218, 326	698	E2	14	
IDGMP25062	218, 330	1037	E2	20	
IDGMP25063	218, 330	1044	E2	18	
IDGMP25091	218, 326	729	E2	16	
IDGMP25092	218, 330	1059	E2	20	
IDGMP25181	218, 326	729	E2	16	
IDGMP25182	218, 330	1059	E2	20	
IDGMP33005	218	1012	E2	25	

Catalog Number	Page Number	List Price	Mult Sym.	Ship Wgt ⁽¹⁾	Type Code
IDGMP33010	218	1012	E2	25	
IDGMP33015	218	1012	E2	25	
IDGMP33020	218	1012	E2	25	
IDGMP33030	218	1037	E2	28	
IDGMP33040	218	1037	E2	28	
IDM2276T	215	5423	E2	332	0954M
IDM2332T	215	6626	E2	352	0960M
IDM2333T	215	3726	E2	318	0944M
IDM2333T-5	215	3726	E2	318	0942M
IDM2334T	215	3980	E2	333	0952M
IDM2334T-5	215	3980	E2	333	0952M
IDM3581T	215	1737	E2	65	0524M
IDM3581T-5	215	1737	E2	65	0519M
IDM3582T	215	2040	E2	68	0528M
IDM3584T	215	1837	E2	70	0530M
IDM3584T-5	215	1837	E2	70	0530M
IDM3587T	215	1964	E2	72	0533M
IDM3587T-5	215	1964	E2	73	0535M
IDM3661T	215	2509	E2	111	0632M
IDM3661T-5	215	2509	E2	112	0632M
IDM3664T	215	2356	E2	124	0642M
IDM3665T	215	2654	E2	124	0640M
IDM3665T-5	215	2654	E2	124	0640M
IDM3667T	215	2294	E2	107	0630M
IDM3764T	215	3082	E2	187	0737M
IDM3768T	215	3772	E2	226	0748M
IDM3770T	215	3200	E2	170	0735M
IDM3770T-5	215	3200	E2	170	0735M
IDM3774T	215	3428	E2	231	0748M
IDM3774T-5	215	3428	E2	231	0748M
IDM4100T	215	7855	E2	450	1056M
IDM4102T	215	8844	E2	455	1062M
IDM4103T	215	4908	E2	417	1046M
IDM4104T	215	5629	E2	464	1056M
IDM4110T	215	7612	E2	605	1256M
IDM4111T	215	10079	E2	557	1260M
IDM4115T	215	8543	E2	622	1262M
IDM4117T	215	11217	E2	628	1264M
IDNM2237T	215	3071	E2	242	0932M
IDNM2238T	215	3213	E2	286	0948M
IDNM2333T	215	3310	E2	286	0948M
IDNM2334T	215	4573	E2	406	1056M
IDNM3534	215	495	E2	33	3513M
IDNM3538	215	579	E2	31	3512M
IDNM3542	215	645	E2	33	3514M
IDNM3581T	215	1315	E2	58	0524M
IDNM3584T	215	1451	E2	58	0524M
IDNM3587T	215	1516	E2	67	0535M
IDNM3661T	215	1986	E2	108	0632M
IDNM3665T	215	2215	E2	116	0640M

Catalog Number	Page Number	List Price	Mult Sym.	Ship Wgt ⁽¹⁾	Type Code
IDNM3669T	215	1759	E2	94	0628M
IDNM3767T	215	2469	E2	170	0735M
IDNM3770T	215	2563	E2	196	0748M
IDNRPM18054C	206	3666	E2	143	
IDNRPM18074C	206	4215	E2	194	
IDNRPM21104C	206	4990	E2	280	
IDVSM2333T	212	3787	E2	291	0944M
IDVSM2334T	212	4106	E2	321	0952M
IDVSM3661T	212	1674	E2	105	0632M
IDVSM3665T	212	1941	E2	120	0641M
IDVSM3770T	212	2497	E2	180	0735M
IDVSM3774T	212	3255	E2	231	0748M
IDVSM4103T	212	5214	E2	446	1056M
IDVSM4104T	212	5696	E2	457	1060M
IDVSM4110T	212	6571	E2	619	1264M
IDVSM4115T	212	8031	E2	670	1272M
IDVSM4314T	212	9948	E2	869	A36062M
IDVSM4316T	212	12459	E2	873	A36068M
IDVSM4400T-4	212	16102	E2	1218	A40064M
IDVSM4406T-4	212	23853	E2	1789	A44078M
IDVSM4407T-4	212	28263	E2	2189	A44106M
IDVSM4408T-4	212	39946	E2	2511	A44128M
IDVSM4410T-4	212	19987	E2	1637	A44062M
IDVSM44304T-4	212	39946	E2	2816	A44160M
IDVSNM2237T	212	2567	E2	212	0748M
IDVSNM2238T	212	3521	E2	305	0948M
IDVSNM2333T	212	4235	E2	284	0948M
IDVSNM3534	212	495	E2	32	3513M
IDVSNM3538	212	579	E2	35	3516M
IDVSNM3542	212	645	E2	36	3517M
IDVSNM3546	212	1048	E2	45	3525M
IDVSNM3581T	212	1315	E2	58	0524M
IDVSNM3581T-5	212	1256	E2	58	0524M
IDVSNM3582T	212	1715	E2	61	0528M
IDVSNM3584T	212	1451	E2	64	0532M
IDVSNM3584T-5	212	1451	E2	64	0532M
IDVSNM3587T	212	1516	E2	63	0535M
IDVSNM3587T-5	212	1448	E2	62	0535M
IDVSNM3661T	212	1722	E2	111	0635M
IDVSNM3665T	212	1995	E2	124	0643M
IDVSWDM3538	92	1538	WD	32	3516M
IDVSWDM3542	92	1748	WD	35	3519M
IDVSWDM3546	92	1814	WD	40	3524M
IDVSWDM3546T	92	1814	WD	40	3524M
IDVSWDM3554	92	1940	WD	50	3533M
IDVSWDM3554T	92	1940	WD	50	3533M
IDVSWDM3558	92	2066	WD	45	3528M
IDVSWDM3558T	92	2066	WD	46	3528M
IDVSWDM3611T	92	2172	WD	80	3635M
IDVSWDM3615T	92	2532	WD	97	3646M

Catalog Number	Page Number	List Price	Mult Sym.	Ship Wgt ⁽¹⁾	Type Code
IDWNM22937T	93	4132	WD	240	3940M
IDWNM22938T	93	4208	WD	287	3956M
IDWNM3546T	93	1551	WD	41	3524M
IDWNM3554T	93	1708	WD	52	3533M
IDWNM3609T	93	2014	WD	69	3628M
IDWNM3611T	93	2050	WD	90	3640M
IDWNM3707T	93	2320	WD	122	3732M
IDXCM7542T-C	111	1892	L1	175	0632M
IDXCM7544T-C	111	2217	L1	225	0728M
IDXCM7547T-C	111	2809	L1	250	0728M
IDXCM7554T-C	111	4359	L1	350	0735M
IDXCM7556T-C	111	5557	L1	400	0948M
IDXCM7558T-C	111	7558	L1	450	1046M
IDXCM7560T-C	111	8918	L1	500	1250M
IDXCM7562T-C	111	11963	L1	825	1248M
IDXCM7564T-C	111	13615	L1	900	A36062M
IDXCM7566T-C	111	15841	L1	910	A36062M
IDXCM7568T-C	111	16300	L1	965	A36070M
IDXCM7570T-C	111	3760	L1	300	0932M
IDXM7002	110	1190	L1	43	3513M
IDXM7006	110	1223	L1	39	3513M
IDXM7010	110	1250	L1	43	3517M
IDXM7014T	110	1392	L1	52	3519M
IDXM7034T	110	1442	L1	60	3526M
IDXM7037T	110	1577	L1	63	3535M
IDXM7054T	110	4026	L1	373	0944M
IDXM7056T	110	5224	L1	408	0952M
IDXM7058T	109	6190	L1	536	1050M
IDXM7060T	109	7550	L1	561	1056M
IDXM7062T	109	10113	L1	748	1254M
IDXM7064T	109	11765	L1	764	1272M
IDXM7066T	109	13433	L1	1024	A36062M
IDXM7068T	109	14892	L1	1391	A40064M
IDXM7142T	110	1715	L1	145	0632M
IDXM7144T	110	2040	L1	161	0640M
IDXM7147T	110	2565	L1	227	0735M
IDXM7170T	110	3516	L1	231	0748M
IDXM7542T	110	1799	L1	146	0632M
IDXM7542T-C	111	1577	L1	175	0632M
IDXM7544T	110	2621	L1	212	0728M
IDXM7544T-C	111	1902	L1	225	0728M
IDXM7547T	110	3685	L1	226	0735M
IDXM7547T-C	111	2468	L1	250	0735M
IDXM7554T	110	5348	L1	392	0948M
IDXM7554T-C	111	3846	L1	350	0948M
IDXM7556T	109	6485	L1	526	1046M
IDXM7556T-C	111	5044	L1	400	1046M
IDXM7558T	109	7808	L1	708	1250M
IDXM7558T-C	111	6700	L1	450	1250M
IDXM7560T	109	9088	L1	738	1248M

⁽¹⁾ Shipping weight is approximate.

Baldor
Mod Express

ABB
Mod Express

ABB ATEX
Mod Express

Product
Index

Baldor
Sales Offices

Catalog Number	Page Number	List Price	Mult Sym.	Ship Wgt ⁽¹⁾	Type Code
IDXM7560T-C	111	8060	L1	500	1248M
IDXM7562T	109	10165	L1	1013	A36062M
IDXM7562T-C	111	10723	L1	825	A36062M
IDXM7564T	109	12680	L1	1034	A36062M
IDXM7564T-C	111	12375	L1	900	A36062M
IDXM7566T	109	15021	L1	1262	A40064M
IDXM7566T-C	111	14266	L1	965	A36062M
IDXM7568T-C	111	14725	L1	1326	A36070M
IDXM7570T	110	4124	L1	392	0932M
IDXM7570T-C	111	3419	L1	300	0932M
IR3507M	160	644	K	40	3524L
IR3510M	160	698	K	40	3528L
JEWDM3545	83, 119	1001	WD	38	3520M
JEWDM3550	83, 119	1058	WD	41	3526M
JEWDM3555	83, 119	1175	WD	41	3526M
JEWDM3559	83, 119	1393	WD	64	3540M
JL1205A	116	270	K	25	3416L
JL1301A	116	311	K	23	3414L
JL1303A	116	304	K	26	3420L
JL1304A	116	366	K	25	3418L
JL1306A	116	400	K	33	3424L
JL1307A	116	462	K	33	3428L
JL1309A	116	414	K	32	3428L
JL1313A	116	578	K	36	3432LC
JL1317A	116	713	K	45	3528L
JL1323A	116	732	K	52	3535LC
JL3405A	115	313	K	19	3416L
JL3501A	115	391	K	22	3414L
JL3503A	115	359	K	26	3420L
JL3504A	115	454	K	27	3421L
JL3506A	115	427	K	29	3424L
JL3507A	115	539	K	33	3428LC
JL3509A	115	522	K	42	3524L
JL3510A	115	619	K	40	3528L
JL3513A	115	619	K	45	3528L
JL3514A	115	679	K	51	3532LC
JL3515A	115	727	K	54	3535L
JL3516A	115	773	K	52	3535LC
JL5003A	107	691	K	37	3513L
JL5006A	107	773	K	37	3516L
JL5009A	107	828	K	49	3524L
JL5030	107	1065	K	52	3528L
JL5031	107	1157	K	60	3535L
JM3006	118	320	K	19	3410M
JM3107	118	338	K	21	3413M
JM3108	118	404	K	23	3416M
JM3111	118	401	K	23	3416M
JM3112	118	446	K	27	3420M
JM3115	118	446	K	32	3420M
JM3116	118	489	K	30	3424M

Catalog Number	Page Number	List Price	Mult Sym.	Ship Wgt ⁽¹⁾	Type Code
JM3120	118	532	K	30	3424M
JM3154	118	582	K	34	3432M
JM3155	118	632	K	35	3430M
JM3158	118	750	K	42	3524M
JM3457	117	351	K	19	3410M
JM3458	117	380	K	21	3413M
JM3460	117	380	K	21	3413M
JM3461	117	448	K	23	3416M
JM3463	117	416	K	23	3416M
JM3542	117	484	K	26	3420M
JM3550	117	514	K	29	3424M
JM3555	117	651	K	41	3524M
JM3559	117	707	K	44	3528M
JM7013	107	918	K	30	3416M
JM7018	107	936	K	41	3516M
JM7071	107	980	K	48	3524M
JMEWDM23933T	84, 129	5323	WD	252	3942M
JMEWDM23934T	84, 129	6151	WD	275	3952M
JMEWDM3546T	84, 129	1141	WD	39	3524M
JMEWDM3550T	84, 129	1147	WD	48	3528M
JMEWDM3554T	84, 129	1192	WD	50	3533M
JMEWDM3555T	84, 129	1252	WD	47	3526M
JMEWDM3558T	84, 129	1305	WD	48	3530M
JMEWDM3559T	84, 129	1529	WD	50	3532M
JMEWDM3611T	84, 129	1712	WD	70	3631M
JMEWDM3613T	84, 129	2018	WD	81	3634M
JMEWDM3615T	84, 129	1928	WD	93	3642M
JMEWDM3616T	84, 129	2391	WD	96	3646M
JMEWDM3710T	84, 129	2423	WD	127	3738M
JMEWDM3711T	84, 129	3087	WD	130	3736M
JMEWDM3713T	84, 129	3851	WD	169	3752M
JMEWDM3714T	84, 129	2576	WD	165	3752M
JMEWDM41906T	84, 129	6180	WD	255	3940M
JML1406T	120	987	L1	69	3628L
JML1408T	120	1132	L1	80	3634LC
JML1409T	120	1394	L1	81	3634LC
JML1508T	120	1606	L1	115	3727L
JML1509T	120	2000	L1	116	3729L
JML1510T	120	2115	L1	142	3744LC
JML1511T	120	2459	L1	141	3740L
JML1512T	120	2618	L1	150	3744LC
JML3606T	120	1035	L1	79	3634L
JML3608T	120	1379	L1	93	3640LC
JMM2333T	123	2842	L1	236	0756M
JMM2333T-5	124	2842	L1	236	0756M
JMM2334T	123	3009	L1	245	0760M
JMM2394T	123	2915	L1	225	0748M
JMM2394T-5	124	2915	L1	225	0748M
JMM2506T	126	1610	L1	160	3756M
JMM2513T	127	2049	L1	155	3748M

⁽¹⁾ Shipping weight is approximate.

Catalog Number	Page Number	List Price	Mult Sym.	Ship Wgt ⁽¹⁾	Type Code
JMM2514T	127	2461	L1	195	3930M
JMM2515T	127	2484	L1	197	3760M
JMM2516T	127	3049	L1	221	3934M
JMM2524T	127	2602	L1	323	3958M
JMM2531T	127	3078	L1	281	3942M
JMM2534T	127	3127	L1	267	3936M
JMM2535T	127	3529	L1	299	3952M
JMM2538T	127	4593	L1	307	3946M
JMM2539T	127	4575	L1	375	4052M
JMM2542T	128	4997	L1	368	4044M
JMM2543T	128	5205	L1	406	4060M
JMM2546T	128	6220	L1	401	4054M
JMM3116T	126	607	L1	35	3516M
JMM3155T	126	700	L1	42	3522M
JMM3157T	126	685	L1	42	3523M
JMM3158T	126	742	L1	48	3528M
JMM3211T	126	735	L1	63	3536M
JMM3211T-5	128	735	L1	67	3536M
JMM3212T	126	834	L1	62	3535M
JMM3218T	126	795	L1	73	3630M
JMM3218T-5	128	795	L1	73	3630M
JMM3219T	126	1020	L1	71	3627M
JMM3219T-5	128	1020	L1	73	3627M
JMM3309T	126	1276	L1	124	3734M
JMM3311T	126	1155	L1	106	3644M
JMM3311T-5	128	1155	L1	95	3644M
JMM3312T	127	1387	L1	116	3726M
JMM3313T	127	1372	L1	121	3733M
JMM3314T	127	1864	L1	126	3731M
JMM3546T	122	657	L1	39	3516M
JMM3546T-5	124	657	L1	38	3516M
JMM3550T-5	124	690	L1	39	3520M
JMM3554T	122	690	L1	43	3521M
JMM3554T-5	124	690	L1	41	3521M
JMM3555T	122	769	L1	47	3526M
JMM3555T-5	124	769	L1	49	3526M
JMM3558T	122	721	L1	46	3524M
JMM3559T	122	862	L1	53	3528M
JMM3559T-5	124	862	L1	55	3535M
JMM3610T	122	894	L1	56	3528M
JMM3610T-5	124	894	L1	68	3623M
JMM3611T	122	862	L1	66	3542M
JMM3613T	122	1104	L1	74	3626M
JMM3613T-5	124	1104	L1	78	3630M
JMM3615T	122	964	L1	85	3635M
JMM3615T-5	124	964	L1	81	3634M
JMM3616T	122	1249	L1	91	3640M
JMM3616T-5	124	1249	L1	91	3640M
JMM3709T	122	1407	L1	98	3640M
JMM3710T	122	1233	L1	125	3731M

Catalog Number	Page Number	List Price	Mult Sym.	Ship Wgt ⁽¹⁾	Type Code
JMM3713T	123	2216	L1	160	3748M
JMM3713T-5	124	2216	L1	170	3748M
JMM3714T	123	1556	L1	137	3740M
JMM3714T-5	124	1556	L1	137	3740M
JMM4103T	123	3516	L1	366	0954M
JMM4104T	123	4333	L1	382	0964M
JMM4106T	123	3208	L1	255	0754M
JMM4107T	123	3603	L1	342	0942M
JMM4108T	123	4716	L1	370	0954M
JMM4109T	123	5661	L1	460	1050M
JMM4110T	123	5456	L1	486	1064M
JMM4114T	124	6174	L1	507	1064M
JMM7026T	108	1466	L1	88.5	3620M
JMM7045T	108	2610	L1	165	3723M
JMM7072T	108	1981	L1	110	3634M
JMM7073T	108	2227	L1	118	3640M
JMM7074T	108	2956	L1	165	3731M
JMM7075T	108	1466	L1	69	3528M
JMSSEWDM3546T	85, 130	1805	WD	62	3525M
JMSSEWDM3550T	85, 130	1809	WD	68	3532M
JMSSEWDM3554T	85, 130	1820	WD	69	3533M
JMSSEWDM3555T	85, 130	2138	WD	72	3532M
JMSSEWDM3558T	85, 130	2168	WD	74	3538M
JMSSEWDM3559T	85, 130	2568	WD	83	3546M
JMSSEWDM3611T	85, 130	2696	WD	108	3635M
JMSSEWDM3613T	85, 130	2904	WD	104	3634M
JMSSEWDM3615T	85, 130	2924	WD	121	3646M
JMSSEWDM3709T	85, 130	3423	WD	184	3735M
JMSSEWDM3710T	85, 130	3487	WD	135	3739M
JMSSEWDM3711T	85, 130	3838	WD	154	3744M
JMSSEWDM3714T	85, 130	4049	WD	187	3756M
JPL1406T	120	987	L1	76	3628L
JPL1408T	120	1132	L1	87	3634LC
JPL1409T	120	1394	L1	88	3634LC
JPL1508T	120	1606	L1	117	3727L
JPL1509T	120	2000	L1	121	3729L
JPL1510T	120	2115	L1	143	3744LC
JPL1511T	120	2459	L1	148	3740L
JPL1512T	120	2618	L1	142	3744LC
JPM2333T	123	2842	L1	236	0756M
JPM2334T	123	3009	L1	245	0760M
JPM2394T	123	2915	L1	225	0748M
JPM2513T	127	2049	L1	175	3748M
JPM2514T	127	2461	L1	206	3930M
JPM2515T	127	2484	L1	197	3760M
JPM2516T	127	3049	L1	219	3934M
JPM2531T	127	3078	L1	282	3942M
JPM2534T	127	3127	L1	270	3936M
JPM2535T	127	3529	L1	320	3952M
JPM2538T	127	4593	L1	308	3946M

⁽¹⁾ Shipping weight is approximate.

Baldor
Mod Express

ABB
Mod Express

ABB ATEX
Mod Express

Product
Index

Baldor
Sales Offices

Catalog Number	Page Number	List Price	Mult Sym.	Ship Wgt ⁽¹⁾	Type Code
JPM2539T	127	4575	L1	378	4052M
JPM2542T	128	4997	L1	376	4044M
JPM2543T	128	5205	L1	415	4060M
JPM2547T	128	5912	L1	507	4252M
JPM2551T	128	7764	L1	586	4266M
JPM3211T	126	735	L1	61	3536M
JPM3212T	126	834	L1	65	3535M
JPM3218T	126	795	L1	74	3630M
JPM3219T	126	1020	L1	73	3627M
JPM3311T	126	1155	L1	124	3731M
JPM3312T	127	1387	L1	120	3726M
JPM3313T	127	1372	L1	127	3733M
JPM3314T	127	1864	L1	131	3731M
JPM3554T	122	690	L1	44	3521M
JPM3610T	122	894	L1	58	3528M
JPM3611T	122	862	L1	67	3542M
JPM3613T	122	1104	L1	77	3626M
JPM3615T	122	964	L1	88	3635M
JPM3616T	122	1249	L1	93	3640M
JPM3711T	123	1682	L1	128	3729M
JPM3713T	123	2216	L1	160	3748M
JPM3714T	123	1556	L1	146	3740M
JPM4103T	123	3516	L1	356	0954M
JPM4104T	123	4333	L1	386	0964M
JPM4106T	123	3208	L1	255	0754M
JPM4107T	123	3603	L1	333	0942M
JPM4108T	123	4716	L1	359	0950M
JPM4109T	123	5661	L1	468	1050M
JPM4110T	123	5456	L1	496	1064M
JPM4114T	124	6174	L1	517	1064M
JPM4115T	124	6396	L1	595	1254M
JSL325A	119	376	K	24	3416L
JSL425A	119	399	K	26	3420L
JSL525A	119	426	K	30	3424L
JSL625A	119	580	K	42	3524L
JSL725A	119	582	K	47	3528L
JSM3107	119	338	K	21	3413M
JSM3111	119	400	K	24	3416M
JSM3115	119	443	K	27	3420M
JSM3120	119	528	K	31	3424M
JSM3155	119	625	K	35	3430M
JWDM3463	83, 119	634	WD	33	3513M
K18G10 **	362	199	A8	20	
K18G11 **	362	199	A8	25	
K18G12 **	362	210	A8	35	
K18G8	362	160	A8	10	
K18G9	362	160	A8	15	
K36G16	360	375	P1		
K36G18	362	1363	P1	123	
K36G2	358	730	A8	69	

Catalog Number	Page Number	List Price	Mult Sym.	Ship Wgt ⁽¹⁾	Type Code
K36G50	362	1363	P1	123	
K36G8	360	365	P1	22	
K36G801	358	1298	A8	75	
K36G9	360	375	P1	25	
K40G2	358	1086	A8	69	
K40G3	360	375	P1		
K40G70	358	1086	A8	30	
K40G71	358	1665	A8	75	
K40G8	360	365	P1	35	
K40G801	358	2448	A8	113	
K40G802	358	1722	A8	30	
K40G9	360	375	P1	30	
K44G5	360	752	P1		
K44G50	358	844	A8	40	
K44G51	358	844	A8	40	
K44G70	358	1665	A8	40	
K44G71	358	1765	A8	249	
K44G8	360	375	P1	55	
K44G801	358	2448	A8	40	
K44G802	358	2448	A8	251	
K44G9	360	445	P1	135	
K99G70	214	1442	E8	9	
K99G71	214	1442	E8	9	
K99G72	214	1442	E8	6	
K99G73	214	1442	E8	6	
K99G74	214	1442	E8	6	
K99G75	214	1442	E8	6	
K99G76	214	1442	E8	6	
K99G77	214	1442	E8	6	
K99G78	214	1622	E8	8	
K99G79	214	1622	E8	8	
K99G80	214	1442	E8	6	
K99G81	214	1442	E8	6	
K99G82	214	2183	E8	6	
K99G83	214	2183	E8	6	
KBL3406	177	939	K	27	3414L
KBL3409	177	1031	K	32	3421L
KBM3454	178	833	K	26	3413M
KBM3458	178	885	K	23	3416M
KEL11203	17	411	K	22	3411LC
KEL11205	17	432	K	24	3413LC
KEM30003	39	455	K	21	3413M
KEM30006	39	476	K	22	3413M
KENM3454	29	513	K	26	3513M
KENM3534	29	566	K	33	3513M
KENM3535	29	832	K	35	3520M
KL1200	17	299	K	19	3408L
KL1205A	17	296	K	21	3413L
KL3400	14	353	K	19	3408L
KL3401	14	494	K	24	3418L

Catalog Number	Page Number	List Price	Mult Sym.	Ship Wgt ⁽¹⁾	Type Code
KL3403	14	363	K	20	3411L
KL3405	14	335	K	24	3413L
KM3454	29	329	K	19	3410M
KM3454-57	202	361	K	20	3410M
KM3457	29	336	K	20	3410M
KNM3454	29	348	K	18	3410M
KNM3457/35	29	541	K	29	3513M
KNM3534	29	385	K	23	3416M
L1177T	13	5867	L1	323	0956LC
L1200	15	279	K	18	3408L
L1201	15	427	K	23	3418L
L1203M	15	326	K	20	3411L
L1205-50	199	309	K	22	3416L
L1206-50	199	376	K	24	3418L
L1206M	15	367	K	22	3414L
L1208-50	199	340	K	25	3420L
L1209-50	199	472	K	28	3424L
L1209M	15	455	K	24	3418L
L1301M	15	386	K	22	3414L
L1304-50	199	428	K	29	3424L
L1304A	15	434	K	24	3418L
L1304M	15	455	K	24	3418L
L1306-50	199	414	K	28	3424L
L1306A	15	380	K	28	3424L
L1307-50	199	529	K	38	3524L
L1307A	15	528	K	32	3428L
L1307M	15	541	K	32	3428L
L1309-50	199	436	K	34	3432L
L1309A	15	404	K	31	3428L
L1310M	15	629	K	36	3520L
L1313-50	199	612	K	43	3528L
L1313T	15	532	L1	36	3520L
L1317-50	199	815	K	47	3532L
L1318-50	199	645	K	41	3528L
L1318T	15	561	L1	43	3528L
L1318TM	15	586	L1	42	3528L
L1319-50	199	744	K	41	3528L
L1319M	15	707	K	43	3528L
L1319T	15	599	L1	42	3528L
L1320T	16	758	L1	46	3528LC
L1321T	15	719	L1	49	3535L
L1321TM	15	780	L1	48	3535L
L1322T	16	733	L1	49	3532LC
L1322TM	16	798	L1	45	3532LC
L1405T	16	752	L1	66	3628L
L1405T-50	199	865	L1	66	3628L
L1406T	16	862	L1	65	3628L
L1408T	16	814	L1	76	3634LC
L1408T-50	199	934	L1	91	3646LC
L1408TM	16, 167	958	L1	74	3634LC

Catalog Number	Page Number	List Price	Mult Sym.	Ship Wgt ⁽¹⁾	Type Code
L1409T	16	1026	L1	79	3634L
L1410T	16	962	LS	81	3640LC
L1410TM	16, 167	1165	L1	85	3640LC
L1430T	16	883	L1	78	3634LC
L1430TM	16	1165	L1	82	3634LC
L1508T	16	1271	L1	108	3727L
L1508T-50	199	1462	L1	112	3730LC
L1509T	16	1585	L1	94	3640LC
L1510T	16	1379	L1	134	3744LC
L1511T	16	1999	L1	131	3740L
L1512T	16	2013	L1	132	3737LC
L3	375	92	A8		
L3351	12	296	K	15	3310L
L3352	12	303	K	15	3310L
L3353	12	308	K	16	3313L
L3354	12	318	K	16	3313L
L3355	12	336	K	18	3316L
L3356	12	340	K	18	3316L
L3400	12	335	K	18	3408L
L3401	12	472	K	23	3418L
L3403	12	344	K	20	3411L
L3403M	12	394	K	11	3411L
L3404	12	503	K	25	3421L
L3405	12	313	K	21	3413L
L3406	12	365	K	22	3414L
L3406M	12	414	K	22	3414L
L3407	12	553	K	27	3424L
L3408	12	354	K	22	3413L
L3409	12	405	K	26	3421L
L3409-50	199	476	K	31	3428L
L3409M	12	487	K	26	3421L
L3500	12	528	K	30	3516L
L3501	12	353	K	22	3414L
L3501-50	199	418	K	25	3418L
L3501M	12	414	K	22	3414L
L3502	12	553	K	28	3424L
L3503	12	354	K	23	3413L
L3503-50	199	409	K	27	3420L
L3504	12	414	K	27	3421L
L3504-50	199	476	K	32	3428L
L3504A	12	495	K	27	3421L
L3504M	12	487	K	27	3421L
L3505	12	784	K	43	3528L
L3506	12	399	K	28	3424L
L3506-50	199	456	K	35	3520L
L3507	12	477	K	33	3428LC
L3507-50	199	565	K	38	3524L
L3507A	12	598	K	35	3428LC
L3507M	12	572	K	33	3428LC
L3508	12	907	K	44	3528LC

⁽¹⁾ Shipping weight is approximate.

Baldor
Mod Express

ABB
Mod Express

ABB ATEX
Mod Express

Product
Index

Baldor
Sales Offices

Catalog Number	Page Number	List Price	Mult Sym.	Ship Wgt ⁽¹⁾	Type Code
L3508T	12	893	L1	46	3528LC
L3509	13	462	K	37	3520L
L3509-50	199	531	K	40	3524L
L3509M	13	522	K	40	3524L
L3510	13	541	K	41	3524L
L3510-50	199	650	K	47	3532L
L3510A	13	672	K	40	3524L
L3510M	13	649	K	38	3524L
L3510T	13	552	L1	39	3524L
L3510TM	13	649	L1	40	3524L
L3513	13	619	K	41	3524L
L3513-50	199	699	K	48	3532L
L3513M	13	708	K	46	3528L
L3513T	13	607	L1	43	3524L
L3514	13	625	K	49	3532LC
L3514-50	199	734	K	46	3535LC
L3514A	13	797	K	48	3532LC
L3514M	13	733	K	51	3532LC
L3514T	13	634	L1	44	3526LC
L3514T-50	199	734	L1	51	3535LC
L3514TM	13	733	L1	49	3532LC
L3515	13	790	K	52	3535L
L3515-50	199	909	K	53	3535LC
L3515M	13	827	K	52	3535L
L3515T	13	797	L1	52	3535L
L3516T	13	1013	L1	51	3535LC
L3516TM	13, 167	1043	K	46	3528LC
L3603	169	1140	L1	66	3628L
L3605	169	1275	L1	67	3628L
L3605T	13	905	L1	68	3628L
L3605T-50	199	1039	L1	76	3634LC
L3605TM	13	1104	L1	73	3634L
L3606T	13	934	L1	74	3634L
L3607	169	1670	L1	74	3634L
L3608T	13	1285	L1	88	3640LC
L3608TM	13, 167	1326	L1	89	3640LC
L3609T	13	1065	L1	80	3634LC
L3609T-50	199	1223	L1	95	3646LC
L3609TM	13, 167	1152	L1	79	3634LC
L3612TM	13, 167	1339	L1	100	3646LC
L3613T	13	1657	L1	77	3634LC
L3703	169	2758	L1	113	3735LC
L3705	169	2174	L1	117	3735LC
L3708	169	2223	L1	100	3726LC
L3708T	13	1271	L1	116	3726LC
L3708T-50	199	1462	L1	119	3732LC
L3708TM	13	1493	L1	135	3744LC
L3709T	13	1655	L1	123	3735LC
L3710T	13	1679	L1	134	3734LC
L3711T	13	2029	L1	148	3744LC

Catalog Number	Page Number	List Price	Mult Sym.	Ship Wgt ⁽¹⁾	Type Code
L3712T	13	2060	L1	158	3748LC
L3912T	13	5269	L1	303	3956LC
L4	375	107	A8		
L4003A	95	553	K	26	3411L
L4005A	95	490	K	32	3413L
L4006A	95	713	K	29	3414L
L4009A	95	784	K	35	3424L
L5000A	95	528	K	29	3414L
L5000A-C	95	657	K	35	3414L
L5001A	95	679	K	29	3414L
L5002A	95	961	K	41	3520L
L5003A	95	644	K	29	3416L
L5004A	95	748	K	35	3424L
L5004A-C	95	877	K	40	3424L
L5005A	95	1107	K	50	3528L
L5006A	95	726	K	40	3516L
L5007A	95	879	K	47	3524L
L5007A-C	95	1008	K	53	3524L
L5009A	95	784	K	48	3524L
L5013	95	2036	L1	77	3628L
L5018	95	3257	L1	152	3735L
L5020	95	4143	L1	166	3744LC
L5022	95	1280	K	57	3540L
L5023A	95	1001	K	48	3524L
L5023T	95	980	L1	46	3528L
L5026	95	2193	L1	83	3634L
L5027T	95	2063	L1	84	3634L
L5028T	95	2144	L1	84	3634L
L5030T	95	1136	L1	54	3528L
L5031T	95	1404	L1	57	3535L
L7	375	206	A8		
LB73	330, 333, 363	49	A8	2	
LB73GR	330, 333, 363	49	A8	2	
LB74	330, 333, 363	69	A8	2	
LB74GR	330, 333, 363	69	A8	2	
LB75	330, 333, 363	96	A8	7	
LB75GR	330, 333, 363	96	A8	7	
LBA71	194	55	P1		
LBA80	194	88	P1		
LBA90	194	155	P1		
LCB63X71	194	132	P1		
LCB80X112	194	132	P1		
LFC00015	194	65	P1		
LFC00021	194	65	P1		
LFC00035	194	74	P1		
LFC00041	194	80	P1		
LFL63B14	194	130	P1		
LFL63B5	194	130	P1		
LFL71B14	194	141	P1		
LFL71B5	194	141	P1		

⁽¹⁾ Shipping weight is approximate.

Catalog Number	Page Number	List Price	Mult Sym.	Ship Wgt ⁽¹⁾	Type Code
LFL80B14	194	146	P1		
LFL80B5	194	146	P1		
LFL90B14	194	164	P1		
LFL90B5	194	164	P1		
LFN00021	194	51	P1		
LFN00031	194	51	P1		
LFN00041	194	74	P1		
LFN00051	194	84	P1		
LPL50	375	515	G1	43	
LPL75	375	628	G1	48	
M1004T	166	798	L1	33	3520M
M1005T	166	830	L1	38	3524M
M1006T	166	958	L1	41	3528M
M1007T	166	1029	L1	56	3623M
M1008T	166	1239	L1	71	3634M
M1009T	166	1770	L1	113	3735M
M1010T	166	2006	L1	133	3744M
M1019	166	857	K	36	3524M
M1020T	166	923	L1	41	3528M
M1021T	166	1119	L1	55	3623M
M1022T	166	1276	L1	64	3628M
M1023T	166	1486	L1	72	3634M
M1024T	166	2287	L1	113	3735M
M1204T	166	798	L1	33	3520M
M1205T	166	830	L1	37	3524M
M1206T	166	958	L1	41	3528M
M1207T	166	1029	L1	56	3623M
M1208T	166	1239	L1	72	3634M
M1209T	166	1770	L1	112	3735M
M1210T	166	2006	L1	132	3744M
M1211T	166	2818	L1	206	3936M
M1212T	166	3453	L1	204	3936M
M1213T	166	4052	L1	300	4046M
M1218	166	816	K	33	3520M
M1219	166	857	K	36	3524M
M1220T	166	923	L1	41	3528M
M1221T	166	1119	L1	55	3623M
M1222T	166	1276	L1	65	3628M
M1223T	166	1486	L1	72	3634M
M1224T	166	2287	L1	113	3735M
M1225T	166	3041	L1	148	3740M
M1226T	166	3435	L1	172	3750M
M1227T	166	4168	L1	288	4040M
M1228T	166	5590	L1	309	4046M
M1504T	164	1189	L1	39	3524M
M1505T	164	1256	L1	47	3535M
M1506T	164	1525	L1	64	3628M
M1507T	164	1727	L1	84	3640M
M1508T	164	2256	L1	134	3744M
M1509T	164	2937	L1	185	3754M

Catalog Number	Page Number	List Price	Mult Sym.	Ship Wgt ⁽¹⁾	Type Code
M1519	164	927	K	37	3524M
M1520T	164	968	L1	42	3528M
M1521T	164	1195	L1	58	3623M
M1522T	164	1371	L1	66	3628M
M1523T	164	1604	L1	73	3634M
M1524T	164	2512	L1	126	3740M
M1554T	164	838	L1	33	3520M
M1555T	164	871	L1	41	3528M
M1556T	164	1012	L1	41	3528M
M1557T	164	1088	L1	65	3628M
M1558T	164	1384	L1	83	3640M
M1704T	164	1189	L1	45	3530M
M1705T	164	1256	L1	47	3535M
M1706T	164	1525	L1	65	3628M
M1707T	164	1727	L1	84	3640M
M1708T	164	2256	L1	132	3744M
M1709T	164	2937	L1	181	3754M
M1710T	164	4524	L1	263	0940M
M1711T	164	5238	L1	267	0944M
M1712T	164	6655	L1	378	1046M
M1713T	164	8079	L1	397	1048M
M1718	165	864	K	29	3515M
M1719	165	955	K	33	3517M
M1720T	165	968	L1	35	3521M
M1721T	165	1195	L1	50	3528M
M1722T	165	1371	L1	58	3536M
M1723T	165	1604	L1	73	3634M
M1724T	165	2512	L1	128	3740M
M1725T	165	3247	L1	230	0928M
M1726T	165	3737	L1	225	0750M
M1727T	165	4435	L1	355	1036M
M1728T	165	6013	L1	390	1046M
M1729T	165	6334	L1	512	1240M
M1754T	164	838	L1	33	3518M
M1755T	164	871	L1	38	3523M
M1756T	164	1012	L1	45	3531M
M1757T	164	1088	L1	63	3628M
M1758T	164	1384	L1	84	3640M
M1759T	164	1950	L1	136	3744M
M1760T	164	2297	L1	158	3756M
M1761T	164	3175	L1	247	0934M
M1762T	164	3753	L1	344	1034M
M1763T	164	4355	L1	384	1040M
M2280T	20	3159	L1	229	0762M
M2333T-9	60	2110	SD	260	0940M
M2334T-8	23	2357	L1	262	0938M
M2334T-9	60	2546	SD	268	0942M
M2395T	20	5624	L1	400	1050M
M2401T	20	3483	L1	270	0946M
M2402T	20	4044	L1	365	1038M

⁽¹⁾ Shipping weight is approximate.

Baldor
Mod Express

ABB
Mod Express

ABB ATEX
Mod Express

Product
Index

Baldor
Sales Offices

Catalog Number	Page Number	List Price	Mult Sym.	Ship Wgt ⁽¹⁾	Type Code
M244402TS-2341	74, 163	32791	LG	4000	A44112M
M2504T	34	2503	L1	220	3944M
M250502S-2341	74, 163	45766	LG	3200	A50120M
M250602S-2341	74, 163	47564	LG	4200	A50176M
M250602S-4	74, 163	47729	LG	4200	A50150M
M250702S-2341	74, 163	49901	LG	4200	A50176M
M2508T	34	3133	L1	232	3948M
M2513T-8	36	1602	L1	155	3748M
M2514T-8	36	2045	L1	194	3928M
M2515T-8	36	2062	L1	197	3762M
M2516T-8	36	2474	L1	189	3932M
M2535T-8	36	2922	L1	282	3952M
M2538T-8	36	3685	L1	259	3946M
M2539T-8	36	3725	L1	351	4052M
M25402T-4	35	31819	L1	2155	A44112M
M25404T-4	35	29082	L1	2413	A44140M
M2543T-8	36	4372	L1	383	4060M
M25454T-4	35	32890	L1	2479	A44144M
M2565T-4	35	15162	L1	1389	A44056M
M2566T-4	35	15095	L1	1633	A4472M
M2568T-4	35	23699	L1	1456	A44064M
M25694T-4	35	23052	L1	1990	A44096M
M2571T-4	35	27121	L1	1565	A44068M
M2572T-4	35	26796	L1	2332	A44128M
M2581002S-2341	74, 163	77398	LG	7000	A58180M
M258802S-2341	74, 163	64295	LG	7000	A58164M
M258902S-2341	74, 163	71196	LG	7000	A58180M
M3108-57	201	393	K	26	3420M
M3108A	33	464	K	22	3416M
M3112-57	201	437	K	26	3420M
M3112A	33	507	K	26	3420M
M3116-57	201	494	K	20	3517M
M3116A	33	564	K	28	3424M
M3116T-57	201	497	L1	20	3517M
M3116T-8	36	444	L1	32	3516M
M3153T	33	586	L1	33	3428M
M3154T-57	201	528	L1	25	3521M
M3154T-8	36	522	L1	34	3519M
M3157T-57	201	543	L1	32	3530M
M3157T-8	36	530	L1	38	3523M
M3158T-8	36	615	L1	45	3528M
M3160	33	825	K	38	3522M
M3211T-57	201	621	L1	58	3630M
M3211T-8	36	552	L1	57	3536M
M3216T	33	1036	L1	60	3623M
M3218T-57	201	687	L1	92	3646M
M3218T-8	36	612	L1	71	3630M
M3219T-8	36	873	L1	69	3627M
M3220T	33	1259	L1	68	3631M
M3306T	34	1791	L1	137	3744M

Catalog Number	Page Number	List Price	Mult Sym.	Ship Wgt ⁽¹⁾	Type Code
M3311T-58	201	972	L1	105	3735M
M3311T-8	36	866	L1	96	3643M
M3313T-8	36	1060	L1	116	3733M
M3314T-8	36	1599	L1	117	3731M
M3353	18	376	K	16	3313M
M3355	18	426	K	17	3316M
M3452	18	439	K	17	3408M
M3454	18	311	K	19	3410M
M3455	18	489	K	18	3411M
M3457	18	316	K	20	3410M
M3458	18	379	K	21	3413M
M3460	18	366	K	19	3410M
M3461	18	444	K	22	3416M
M3463	18	403	K	21	3413M
M3464	18	480	K	25	3420M
M3531	18	484	K	23	3411M
M3532	18	705	K	28	3514M
M3534	18	340	LS	21	3413M
M3534-5	23	340	LS	20	3413M
M3535	18	544	K	22	3414M
M3536	18	768	K	29	3515M
M3537	18	366	K	19	3410M
M3537-5	23	366	K	19	3410M
M3538	18	389	LS	23	3416M
M3538/35	18	501	K	25	3511M
M3538-5	23	389	LS	22	3416M
M3538-57	200	446	K	26	3420M
M3539	18	586	K	24	3418M
M3539-5	23	586	K	23	3418M
M3539-TP	149	625	K	29	3516M
M3541	18	403	K	21	3413M
M3541-5	23	403	K	21	3413M
M3541-57	200	446	K	25	3420M
M3542	18	416	LS	25	3420M
M3542-5	23	416	LS	26	3420M
M3542-57	200	477	K	32	3428M
M3543	18	598	K	32	3428M
M3543-5	23	598	K	33	3428M
M3543T	18	598	L1	33	3428M
M3543T-5	23	598	L1	34	3428M
M3545	19	472	K	23	3416M
M3545-57	200	543	K	27	3420M
M3546	19	433	LS	30	3519M
M3546/35	19	523	K	24	3516M
M3546-5	23	433	LS	29	3514M
M3546T-57	200	555	L1	33	3517M
M3550T-57	200	630	L1	37	3520M
M3554	19	489	LS	35	3520M
M3554T-57	200	565	L1	39	3521M
M3555T-57	200	692	L1	44	3526M

⁽¹⁾ Shipping weight is approximate.

Catalog Number	Page Number	List Price	Mult Sym.	Ship Wgt ⁽¹⁾	Type Code
M3556	19	608	K	37	3520M
M3556-5	23	608	K	37	3520M
M3557	19	698	K	46	3529M
M3558	19	528	LS	40	3523M
M3558-5	24	528	LS	40	3523M
M3558T-57	200	596	L1	46	3530M
M3558T-8	23	1127	L1	41	3524M
M3559	19	673	K	45	3528M
M3560	18	862	K	38	3522M
M3602	168	1137	L1	51	3531M
M3610T-57	200	882	L1	66	3542M
M3611T-57	200	700	L1	71	3630M
M3611T-8	23	1153	L1	64	3542M
M3611T-9	60	700	SD	66	3629M
M3613T-57	200	1014	L1	76	3632M
M3615T-57	200	808	L1	96	3646M
M3615T-8	23	1561	L1	76	3634M
M3617T	19	1211	L1	62	3623M
M3618T	19	1434	L1	88	3640M
M3701	168	1671	L1	88	3720M
M3702T	19	1816	L1	102	3724M
M3705T	19	1985	L1	139	3743M
M3709T-58	200	1493	L1	113	3727M
M3710T-58	200	1027	L1	130	3738M
M3710T-8	23	1830	L1	116	3731M
M3714T-8	23	2520	L1	131	3740M
M3714T-9	60	1195	SD	136	3741M
M4103T-8	23	2915	L1	333	0956M
M4103T-9	60	3158	SD	415	1056M
M4104T-8	23	3443	L1	357	0964M
M4104T-9	60	3730	SD	423	1058M
M4110T-8	23	4568	L1	480	1064M
M4110T-9	60	4948	SD	535	1268M
M4112T	20	6395	L1	537	1250M
M4115T-9	60	5122	SD	633	1268M
M4116T	20	7899	L1	530	1256M
M4314T-9	60	9016	SD	876	A36050M
M4316T-9	60	9729	SD	911	A36056M
M4348T	20	10895	L1	787	A36050M
M4408T-4	21	26362	L1	2477	A44112M
M4408T-4E	21	26362	L1	2240	A44100M
M4408TS-4	21	26362	L1	2449	A44112M
M44302T-4	21	48699	L1	2743	A44128M
M44304T-4	21	39242	L1	2863	A44140M
M44306T-4	21	46794	L1	2826	A44140M
M44352T-4	22	56256	L1	2922	A44144M
M44354T-4	22	43600	L1	2995	A44152M
M44354TS-4	22	43600	L1	3130	A44152M
M44402T-4	22	68390	L1	2994	A44160M
M4468T	21	15451	L1	1106	A40052M

Catalog Number	Page Number	List Price	Mult Sym.	Ship Wgt ⁽¹⁾	Type Code
M4501004L-4	22, 71	100178	LG	10000	
M4501004L-5	71	102965	LG	11000	
M4501006L-4	22, 71	105979	LG	12600	
M450708L-4	22, 70	105121	LG	11000	
M450808L-4	22, 71	105121	LG	11000	
M450906L-4	22, 71	92733	LG	10000	
M4908T-4	21	26362	L1	2545	A44112M
M5001008L-4	22, 71	123922	LG	15000	
M5001254L-4	22, 71	120836	LG	14000	
M5001254L-5	71	120835	LG	13600	
M5001256L-4	22, 71	115034	LG	14500	
M5001504L-4	22, 71	133358	LG	15500	
M5001504L-5	71	124863	LG	14500	
M500908L-4	22, 71	121922	LG	14925	
M50256LR-2340	24, 71	41964	LG	5500	A50212M
M50306LR-2340	24, 71	43298	LG	3683	A50200M
M50356L-4	22, 70	37732	LG	5600	A50200M
M50356LR-2340	24, 71	49383	LG	5500	A50212M
M50356LR-4	22, 70	39036	LG	5600	A50200M
M50402S-4	70	38205	LG	5500	A50168M
M50406L-4	22, 70	41031	LG	5600	A50212M
M50406LR-4	22, 70	42335	LG	5600	A50212M
M50452S-4	22, 70	44401	LG	5500	A50184M
M50454L-4	22, 70	40856	LG	5500	A50180M
M50456L-4	22, 70	46810	LG	6600	A50260M
M50456LR-4	22, 70	48114	LG	6600	A50260M
M50502S-4	22, 70	48093	LG	5500	A50184M
M50504L-4	22, 70	46492	LG	5500	A50192M
M50506L-4	22, 70	53039	LG	6600	A50276M
M50506LR-4	22, 70	54343	LG	6600	A50276M
M50602S-4	22, 70	52207	LG	5650	A50184M
M50604L-4	22, 70	55152	LG	6600	A50220M
M50604L-5	71	55152	LG	6600	
M50606L-4	22, 70	61203	LG	6600	A50276M
M50606LR-4	22, 70	62507	LG	6600	A50276M
M50704L-4	22, 70	63072	LG	6600	A50240M
M50704L-5	71	63072	LG	6600	
M50804L-4	22, 71	67731	LG	6600	A50256M
M50804L-5	71	67731	LG	6600	
M50904L-4	22, 71	69190	LG	6600	
M50904L-5	71	69190	LG	6600	
M58608LR-4	22, 70	85261	LG	10000	
M58702S-2340	25, 72	71851	LG	10000	A58256M
M58702S-4	22, 70	55029	LG	10000	A58256M
M58706L-4	22, 70	67797	LG	10000	A58296M
M58706LR-4	22, 70	69101	LG	10000	A58296M
M58802S-4	22, 71	69833	LG	10000	A58256M
M58806LR-4	22	75237	LG	10000	
M6002A	95	575	K	25	3410M
M6007A	95	719	K	30	3416M

⁽¹⁾ Shipping weight is approximate.

Baldor
Mod Express

ABB
Mod Express

ABB ATEX
Mod Express

Product
Index

Baldor
Sales Offices

Catalog Number	Page Number	List Price	Mult Sym.	Ship Wgt ⁽¹⁾	Type Code
M7002A	95	691	K	27	3413M
M7003A	95	992	K	34	3513M
M7005A	95	792	K	27	3410M
M7006-5	98	719	K	34	3512M
M7006A	95	719	K	29	3416M
M7007A	95	1047	K	39	3516M
M7009A	95	825	K	29	3413M
M7010-5	98	828	K	37	3513M
M7010A	95	828	K	33	3420M
M7013	96	869	K	29	3416M
M7013-5	98	869	K	30	3416M
M7014	96	907	K	39	3514M
M7014-5	98	907	K	40	3514M
M7015	96	1307	L1	48	3516M
M7019	96	1656	L1	55	3521M
M7023	96	1696	L1	55	3524M
M7026	96	1450	L1	74	3620M
M7027	96	1937	L1	169	3723M
M7030	96	2508	L1	193	3726M
M7031A	95	1112	K	43	3524M
M7031TA	95	1112	L1	47	3524M
M7032	96	1112	K	44	3520M
M7034	96	987	K	44	3520M
M7037	96	1104	K	47	3523M
M74254T-4	97	35752	L1	2553	A44106M
MFDT-01	229, 238, 244, 249	600	ES		
MM06124-AP	182	314	M	9	
MM06182-AP	182	321	M	9	
MM06184-AP	182	317	M	10	
MM06252-AP	182	324	M	10	
MM07254-AP	182	257	M	11	
MM07254-PP	182	271	M	22	
MM07372-AP	182	267	M	11	
MM07372-PP	182	281	M	24	
MM07374-AP	182	290	M	11	
MM07374-PP	182	306	M	24	
MM07552-AP	182	298	M	13	
MM07552-PP	182	314	M	24	
MM08112-AP	182	393	M	24	
MM08112-PP	182	414	M	40	
MM08554-AP	182	319	M	19	
MM08554-EX1	191	1033	M	84	
MM08554-EX2	189	1263	M	84	
MM08554-EX3	190	1162	M	84	
MM08554-PP	182	336	M	22	
MM08752-AP	182	359	M	23	
MM08752-PP	182	379	M	35	
MM08754-AP	182	374	M	26	
MM08754-EX1	191	1077	M	84	
MM08754-EX2	189	1314	M	84	

Catalog Number	Page Number	List Price	Mult Sym.	Ship Wgt ⁽¹⁾	Type Code
MM08754-EX3	190	1205	M	84	
MM08754-PP	182	394	M	37	
MM09114-APN	182	403	M1	35	
MM09114-EX1	191	1200	M1	112	
MM09114-EX2	189	1474	M1	112	
MM09114-EX3	190	1355	M1	112	
MM09114-PP	182	449	M1	57	
MM09152-APN	182	387	M1	35	
MM09152-PP	182	492	M1	53	
MM09154-APN	182	475	M1	35	
MM09154-EX1	191	1316	M1	117	
MM09154-EX2	189	1604	M1	117	
MM09154-EX3	190	1471	M1	117	
MM09154-PP	182	530	M1	62	
MM09222-APN	182	556	M1	35	
MM09222-PP	182	620	M1	55	
MM10032-APN	182	657	M1	55	
MM10032-PP	182	733	M1	79	
MM10034-APN	182	693	M1	64	
MM10034-EX1	191	1733	M1	139	
MM10034-EX2	189	2110	M1	159	
MM10034-EX3	190	1938	M1	159	
MM10034-PP	182	773	M1	84	
MM10224-APN	182	581	M1	59	
MM10224-EX1	191	1525	M1	134	
MM10224-EX2	189	1883	M1	154	
MM10224-EX3	190	1730	M1	154	
MM10224-PP	182	648	M1	79	
MM11042-APN	183	785	M1	66	
MM11042-PP	183	876	M1	82	
MM11044-APN	183	821	M1	75	
MM11044-EX1	191	1997	M1	159	
MM11044-EX2	189	2253	M1	179	
MM11044-EX3	190	2253	M1	179	
MM11044-PP	183	916	M1	97	
MM13552-APN	183	1024	M1	123	
MM13552-PP	183	1142	M1	150	
MM13554-APN	183	1053	M1	106	
MM13554-EX1	191	2405	M1	225	
MM13554-EX2	189	2972	M1	245	
MM13554-EX3	190	2739	M1	245	
MM13554-PP	183	1175	M1	154	
MM13752-APN	183	1274	M1	123	
MM13752-PP	183	1421	M1	154	
MM13754-APN	183	1328	M1	130	
MM13754-EX1	191	2831	M1	244	
MM13754-EX2	189	3432	M1	251	
MM13754-EX3	190	3165	M1	251	
MM13754-PP	183	1481	M1	161	
MM16112-APN	183	1798	M1	201	

Catalog Number	Page Number	List Price	Mult Sym.	Ship Wgt ⁽¹⁾	Type Code
MM16112-PPN	183	2018	M1	280	
MM16114-APN	183	1835	M1	218	
MM16114-EX1	191	1980	M1	498	
MM16114-EX2	189	4167	M1	511	
MM16114-EX3	190	3828	M1	511	
MM16114-PPN	183	2059	M1	298	
MM16152-APN	183	2337	M1	231	
MM16152-PPN	183	2622	M1	311	
MM16154-APN	183	2381	M1	260	
MM16154-EX1	191	2493	M1	549	
MM16154-EX2	189	5038	M1	562	
MM16154-EX3	190	4627	M1	562	
MM16154-PPN	183	2672	M1	364	
MM16182-APN	183	2804	M1	271	
MM16182-PPN	183	3146	M1	375	
MM18184-APN	183	2706	M1	322	
MM18184-EX1	191	2880	M1	597	
MM18184-EX2	189	6585	M1	611	
MM18184-EX3	190	6077	M1	611	
MM18184-PPN	183	3036	M1	452	
MM18222-APN	184	3198	M1	291	
MM18222-PPN	184	3588	M1	419	
MM18224-APN	184	3247	M1	359	
MM18224-EX1	191	3388	M1	615	
MM18224-EX2	189	7190	M1	628	
MM18224-EX3	190	6609	M1	628	
MM18224-PPN	184	3643	M1	490	
MM20302-APN	184	4010	M1	463	
MM20302-PPN	184	4499	M1	624	
MM20304-APN	184	4182	M1	481	
MM20304-EX1	191	4404	M1	672	
MM20304-EX2	189	9172	M1	750	
MM20304-EX3	190	8446	M1	750	
MM20304-PPN	184	4692	M1	642	
MM20372-APN	184	5264	M1	496	
MM20372-PPN	184	5906	M1	657	
MM22374-APN	184	5068	M1	530	
MM22374-EX1	191	5276	M1	783	
MM22374-EX2	189	11345	M1	860	
MM22374-EX3	190	10474	M1	816	
MM22374-PPN	184	5686	M1	714	
MM22452-APN	184	6396	M1	580	
MM22452-PPN	184	7176	M1	580	
MM22454-APN	184	6175	M1	602	
MM22454-EX1	191	6389	M1	860	
MM22454-EX2	189	12676	M1	937	
MM22454-EX3	190	11684	M1	893	
MM22454-PPN	184	6928	M1	785	
MM25552-APN	184	7823	M1	670	
MM25552-PPN	184	8777	M1	893	

Catalog Number	Page Number	List Price	Mult Sym.	Ship Wgt ⁽¹⁾	Type Code
MM25554-APN	184	7503	M1	692	
MM25554-EX1	191	7696	M1	915	
MM25554-PPN	184	8418	M1	913	
MM28752-PP	184	11253	M1	1378	
MM28754-EX1	191	11253	M1	1377	
MM28754-PP	184	10914	M1	1378	
MM28902-PP	184	13383	M1	1466	
MM28904-EX1	191	12971	M1	1466	
MM28904-PP	184	12632	M1	1466	
MM5100	192	272	K	8	
MM5100-5	193	272	K	8	
MM5150	192	285	K	9	
MM5150-5	193	285	K	9	
MM5200	192	294	K	9	
MM5200-5	193	294	K	9	
MM5250-5	193	300	K	13	
MM5300-5	193	306	K	13	
MM5350	192	338	K	13	
MM5350-5	193	338	K	13	
MM5400	192	345	K	14	
MM5400-5	193	345	K	14	
MM5450	192	378	K	18	
MM5500	192	392	K	18	
MM5500-5	193	392	K	18	
MM5550	192	411	K	20	
MM5550-5	193	411	K	20	
MM5600	192	452	K	21	
MM5600-5	193	452	K	21	
MPM3458	162	391	K	20	3413M
MPOT-01	243	30	ES		
MPOW-01	243	125	ES		
MREL-01	238, 243	105	ES		
MTAC-01	243	125	ES		
MUL1-R1	229	75	ES		
MUL1-R3	238, 245	75	ES		
MUL1-R4	238, 245	100	ES		
MVM06124D-AP	187	357	M		
MVM06182D-AP	187	350	M		
MVM06184D-AP	187	359	M		
MVM06252D-AP	187	355	M		
MVM07254D-AP	187	307	M		
MVM07372D-AP	188	314	M	11	
MVM07374D-AP	188	340	M	11	
MVM07552D-AP	188	347	M	11	
MVM08112D-AP	188	443	M1	24	
MVM08554D-AP	188	438	M	19	
MVM08752D-AP	188	412	M	23	
MVM08754D-AP	188	419	M	20	
MVM09114D-APN	188	455	M1	35	
MVM09152D-APN	188	434	M1	35	

⁽¹⁾ Shipping weight is approximate.

Baldor
Mod Express

ABB
Mod Express

ABB ATEX
Mod Express

Product
Index

Baldor
Sales Offices

Catalog Number	Page Number	List Price	Mult Sym.	Ship Wgt ⁽¹⁾	Type Code
MVM09154D-APN	188	545	M1	35	
MVM09222D-APN	188	610	M1	35	
MVM10032D-APN	188	725	M1	55	
MVM10034D-APN	188	772	M1	64	
MVM10224D-APN	188	646	M1	55	
MVM11042D-APN	188	866	M1	66	
MVM11044D-APN	188	900	M1	75	
MVM13554D-APN	188	1150	M1	106	
MVM13754D-APN	188	1451	M1	130	
MVM3458C	198	472	K	22	3320M
MVM3458D	197	538	K	20	3320M
MVM3460C	198	503	K	22	3320M
MVM3461C	198	531	K	22	3320M
MVM3461D	197	541	K	20	3320M
MVM3463C	198	523	K	26	3328M
MVM3542C	198	557	K	26	3420M
MVM3542D	197	571	K	27	3420M
MVM5100C-5	193	281	K	8	
MVM5100D	192	285	K	9	
MVM5100D-5	193	285	K	9	
MVM5150C	192	304	K	9	
MVM5150C-5	193	304	K	9	
MVM5150D	192	308	K	10	
MVM5150D-5	193	308	K	10	
MVM5200C	192	315	K	9	
MVM5200C-5	193	315	K	9	
MVM5200D-5	193	320	K	10	
MVM5250C	192	324	K	13	
MVM5250C-5	193	324	K	13	
MVM5250D	192	329	K	14	
MVM5250D-5	193	329	K	14	
MVM5300C	192	333	K	13	
MVM5300C-5	193	333	K	13	
MVM5300D	192	345	K	14	
MVM5300D-5	193	345	K	14	
MVM5350C	192	355	K	13	
MVM5350C-5	193	355	K	13	
MVM5350D	192	359	K	14	
MVM5350D-5	193	359	K	14	
MVM5400C	192	359	K	14	
MVM5400C-5	193	359	K	14	
MVM5400D	192	362	K	15	
MVM5400D-5	193	362	K	15	
MVM5450C	192	397	K	18	
MVM5450C-5	193	397	K	18	
MVM5450D	192	404	K	19	
MVM5450D-5	193	404	K	19	
MVM5500C-5	193	412	K	18	
MVM5500D	192	418	K	19	
MVM5500D-5	193	418	K	19	

Catalog Number	Page Number	List Price	Mult Sym.	Ship Wgt ⁽¹⁾	Type Code
MVM5550C	192	432	K	20	
MVM5550C-5	193	432	K	20	
MVM5550D	192	443	K	21	
MVM5550D-5	193	443	K	21	
MVM5600C	192	475	K	21	
MVM5600C-5	193	544	K	21	
MVM5600D	192	475	K	22	
MVM5600D-5	193	475	K	22	
NETA-01	298	1550	EM		
NM3454	18	326	K	20	3413M
NM3454/35	18	524	K	28	3513M
NM3455	18	450	K	19	3411M
NM3534	18	365	K	23	3416M
NM3538	18	423	K	25	3420M
NM3538/35	18	511	K	27	3512M
NM3539	18	644	K	40	3524M
NM3542	18	455	K	29	3514M
NM3546	19	497	K	39	3524M
NM3546T	19	523	L1	34	3518M
O CAT-01	238, 243, 248, 264	40	ES		
OF2276T	63	3127	SD	257	0932M
OF2332T	63	3482	SD	288	0942M
OF3303T	63	1414	SD	92	3722M
OF3305T	63	1876	SD	136	3731M
OF3307T	63	2339	SD	211	3930M
OF33100T	63	15621	SD	1620	A44072M
OF3310T	63	2834	SD	231	3938M
OF33125T	63	19802	SD	2370	A44134M
OF3315T	63	3975	SD	299	4032M
OF3320T	63	4762	SD	329	4040M
OF3325T	63	6119	SD	458	4244M
OF3330T	63	7444	SD	443	4248M
OF3340T	63	9483	SD	572	4268M
OF3350T	63	11088	SD	908	A40038M
OF3360T	63	12458	SD	1024	A40054M
OF3375T	63	14703	SD	1119	A40068M
OF3407T	63	2565	SD	231	0932M
OF3410T	63	2997	SD	273	0942M
OF3415T	63	4200	SD	340	1034M
OF3420T	63	4982	SD	383	1044M
OF3425T	63	6510	SD	487	1244M
OF3430T	63	7873	SD	524	1248M
OF3440T	63	10052	SD	714	A36046M
OF3764T	63	2314	SD	164	0722M
OF3768T	63	2565	SD	196	0750M
OF4100T	63	5553	SD	418	1048M
OF4102T	63	6709	SD	469	1060M
OF4111T	63	8096	SD	575	1250M
OF4117T	63	9817	SD	619	1262M
OF4308T	63	10877	SD	938	A36064M

⁽¹⁾ Shipping weight is approximate.

Catalog Number	Page Number	List Price	Mult Sym.	Ship Wgt ⁽¹⁾	Type Code
OF4312T	63	14089	SD	1275	A40062M
OF4403T	63	17426	SD	1348	A40072M
OF4404T	63	18899	SD	1850	A4488M
OF4409T	63	24566	SD	2074	A44116M
OF4411T	63	31535	SD	2881	A44134M
OF44156T	63	37249	SD	3169	A44160M
OHDI-01	264	300	EG		
OPCA-01	238, 244, 249, 264	50	ES		
OPMP-01	238, 243, 248, 264, 298	138	ES		
PCL1322M	167	795	K	48	3532LC
PCL1327M	167	861	K	57	3535LC
PCL3513M	167	679	K	38	3520LC
PCL3514M	167	885	K	54	3535LC
PCL3515M	167	805	K	43	3524LC
PCL3519M	167	882	K	52	3532LC
PFTG100XP	284	1453	N5	6	
PFTG42100X	284	2857	N5	33	
PFTG4250XC	284	2920	N5	32	
PFTG46100X	284	5021	N5	43	
PFTG4650XC	284	5021	N5	44	
PFTG50XP	284	1453	N5	6	
PL1322M	167	767	K	46	3532LC
PL1327M	167	818	K	56	3535LC
PL3514M	167	842	K	51	3535LC
PL3515M	167	767	K	42	3524LC
PL3519M	167	841	K	50	3532LC
PSC3413A	151	400	K	19	3411C
PSC3416A	151	444	K	21	3414C
PSC3524A	151	487	K	24	3418C
PTG100XP	284	1453	N5	6	
PTG100XPS	284	1509	N5	10	
PTG1024LD	284				
PTG4590AC	284	1396	N5	8	
PTG50NC	284	2085	N5	8	
PTG50XP	284	1453	N5	6	
PTG50XPS	284	1509	N5	8	
PTG60XP-M	284	1453	N5	5	
PTG60XPS-M	284	1509	N5	11	
PTGWD100XPS	284	1607	N5	10	
PTGWD50XPS	284	1607	N5	10	
R1	375	96	A8		
R2	375	47	A8		
R5A	375	158	A8		
R6	375	53	A8		
RAIO-01	298	465	ES		
RBK13B5	355	69	A8	5	
RBK15B5	355	87	A8	5	
RBK18B5	355	108	A8	5	

Catalog Number	Page Number	List Price	Mult Sym.	Ship Wgt ⁽¹⁾	Type Code
RBK21B5	355	139	A8	5	
RBK24B5	355	146	A8	5	
RBK24B9	355	276	A8	10	
RBK26B5	355	154	A8	8	
RBK26B9	355	336	A8	11	
RBK30B5	355	174	A8	15	
RBK30B9	355	373	A8	15	
RBK32B5	355	234	A8	8	
RBK32B9	355	461	A8	15	
RCAN-01	298	595	ES		
RCCS-01	231	234	ES		
RCNA-01	264, 298	595	ES		
RCNT-01	231	183	ES		
RCRJ-01	231	59	ES		
RCRO-01	231	140	ES		
RCRP-01	231	106	ES		
RDIO-01	298	465	EM		
RDNA-01	264, 298	465	ES		
RECA-01	264, 298	525	ES		
RETA-01	264, 299	465	ES		
RETA-02	299	465	EM		
RFDT-02	226	700	ES		
RL1203A	150	271	K	20	3411L
RL1206A	150	292	K	24	3414L
RL1209A	150	333	K	27	3418L
RL1301A277	150	446	K	23	3414L
RL1304A	150	434	K	26	3418L
RL1304A277	150	464	K	26	3418L
RL1306A	150	399	K	26	3420L
RL1307A	150	532	K	34	3428L
RL1307A277	150	639	K	34	3428L
RL1309A	150	459	K	36	3520L
RL1310A	150	578	K	34	1920L
RL1310A277	150	657	K	42	3528L
RL1323A	150	395	K	24	3416L
RL1324A	150	428	K	31	3424L
RM3007A	151	321	K	21	3413M
RM3108A	151	487	K	25	3413M
RM3112A	151	524	K	32	3420M
RM3116A	151	546	K	32	3424M
RM3154A	151	580	K	34	1920M
RM3157A	151	665	K	40	3524M
RMBA-01	299	465	EM		
RPBA-01	264, 299	465	ES		
RRIA-01	299	465	EM		
RSCM-01	299	210	EM		
RTAC-01	299	465	EM		
RTAC-03	299	465	EM		
RUSB	299	1944	EM		
S46	370	143	A8	3	

⁽¹⁾ Shipping weight is approximate.

Baldor
Mod Express

ABB
Mod Express

ABB ATEX
Mod Express

Product
Index

Baldor
Sales Offices

Catalog Number	Page Number	List Price	Mult Sym.	Ship Wgt ⁽¹⁾	Type Code
S61	370	143	A8	3	
SDCS-COM-81	299	768	EM		
SDCS-COM-82	299	768	EM		
SDCS-DSL-4	299	234	EM		
SDCS-IOB	300	225	EM		
SDCS-IOB-21	300	729	EM		
SDCS-IOB-21 / IOB-3	300	1480	EM		
SDCS-IOB-22	300	729	EM		
SDCS-IOB-22 / IOB-3	300	1480	EM		
SDCS-IOB-23	300	729	EM		
SDCS-IOB-23 / IOB-3	300	1480	EM		
SDCS-IOB-3	300	773	EM		
SDCS-SUB-4	300	442	EM		
SDCS-UCM-1	300	524	EM		
SECG-01	300, 249, 244	3995	ES		
SEDG-01	300, 249, 244	3995	ES		
SFL913B5	355	183	A8	8	
SFL918B5	355	183	A8	9	
SFL918B7	355	183	A8	8	
SFL921B5	355	203	A8	11	
SFL921B7	355	203	A8	11	
SFL924B5	355	203	A8	11	
SFL924B7	355	203	A8	11	
SFL926B5	355	261	A8	14	
SFL926B7	355	261	A8	15	
SH10HS	322, 337, 363	26	A8		
SREA-01-KIT	238, 244, 249	1250	ES		
SSBU100H012	356	166	A8		
SSBU100H014	356	166	A8		
SSBU100H015	356	166	A8		
SSBU104H015	356	105	A8		
SSBU104H100	356	105	A8		
SSBU107H015	356	199	A8		
SSBU107H100	356	199	A8		
SSBU107H102	356	199	A8		
SSBU107H103	356	199	A8		
SSBU107H104	356	199	A8		
SSBU107H105	356	199	A8		
SSGF0518AG	344	1710	GB	30	
SSGF0518BG	344	1710	GB	30	
SSGF0521BG	344	2001	GB	35	
SSGF0526BG	344	2813	GB	65	
SSGF1018AG	344	1710	GB	30	
SSGF1018BG	344	1710	GB	30	
SSGF1021BG	344	2001	GB	35	
SSGF1026BG	344	2813	GB	56	
SSGF1518AG	344	1710	GB	30	
SSGF1521AG	344	2001	GB	35	
SSGF1526BG	344	2813	GB	65	
SSGF2018AG	344	1710	GB	30	

Catalog Number	Page Number	List Price	Mult Sym.	Ship Wgt ⁽¹⁾	Type Code
SSGF2021AG	344	2001	GB	35	
SSGF2026BG	344	2813	GB	65	
SSGF2518AG	344	1710	GB	30	
SSGF2521AG	344	2001	GB	35	
SSGF2526BG	344	2813	GB	56	
SSGF3018AG	344	1710	GB	30	
SSGF3021AG	344	2001	GB	35	
SSGF3026BG	344	2813	GB	56	
SSGF4018AG	344	1710	GB	30	
SSGF4021AG	344	2001	GB	35	
SSGF4026BG	344	2813	GB	56	
SSGF5018AG	344	1710	GB	30	
SSGF5021AG	344	2001	GB	35	
SSGF5026AG	344	2813	GB	60	
SSGF6018AG	344	1710	GB	30	
SSGF6021AG	344	2001	GB	35	
SSGF6026AG	344	2813	GB	56	
SSGHF0518AH	345	1805	GB	30	
SSGHF1018AH	345	1805	GB	30	
SSGHF1021AH	345	2091	GB	38	
SSGHF1032CH	345	4633	GB	92	
SSGHF1518AH	345	1805	GB	30	
SSGHF1521AH	345	2091	GB	38	
SSGHF1532CH	345	4633	GB	92	
SSGHF2018AH	345	1805	GB	30	
SSGHF2021AH	345	2091	GB	38	
SSGHF2026AH	345	3009	GB	60	
SSGHF2032CH	345	4633	GB	92	
SSGHF3018AH	345	1805	GB	30	
SSGHF3021AH	345	2091	GB	38	
SSGHF3026AH	345	3009	GB	60	
SSGHF3032BH	345	4633	GB	92	
SSGHF4018AH	345	1805	GB	30	
SSGHF4021AH	345	2091	GB	38	
SSGHF4026AH	345	3009	GB	60	
SSGHF4026BH	345	3009	GB	60	
SSGHF4032BH	345	4633	GB	92	
SSGHF5018AH	345	1805	GB	30	
SSGHF5021AH	345	2091	GB	38	
SSGHF5026AH	345	3009	GB	57	
SSGHF5032BH	345	4633	GB	92	
SSGHF6018AH	345	1805	GB	30	
SSGHF6021AH	345	2091	GB	38	
SSGHF6026AH	345	3009	GB	60	
SSGHF6032BH	345	4633	GB	65	
SUL50104SM	134	5725	S1	240	
SUL50106SM	134	5991	S1	240	
SUL50154SM	134	5725	S1	291	
SUL50156SM	134	6850	S1	256	
SUL50204SM	134	6347	S1	250	

Catalog Number	Page Number	List Price	Mult Sym.	Ship Wgt ⁽¹⁾	Type Code
SUL50304	134	7935	S1	256	
SUL50304SM	134	7935	S1	260	
SUL50306SM	134	9727	S1	315	
SUL50504	134	10566	S1	369	
SUM20754	135	5361	S1	335	
SUM20754-4	135	5361	S1	340	
SUM21004	135	6434	S1	351	
SUM21004-4	135	6434	S1	367	
SUM21504	135	8104	S1	368	
SUM21504-4	135	8104	S1	377	
SUM70104SM	135	5102	S1	169	
SUM70154SM	135	5226	S1	175	
SUM70204SM	135	5324	S1	183	
SUM70204SM-8	135	5324	S1	182	
SUM70304SM	135	5382	S1	200	
SUM70306	135	5469	S1	235	
SUM70504	135	5611	S1	240	
SUM70504-4	135	5611	S1	235	
SUM70504-8	135	5611	S1	235	
SUM70506	135	7412	S1	248	
SUM70508-4	135	9155	S1	350	
SUM70754	135	7021	S1	243	
SUM70754-4	135	7021	S1	245	
SUM70756	135	8190	S1	350	
SUM70756-4	135	8190	S1	350	
SUM710004-4	135	41185	S1	1340	
SUM710006-4	135	50906	S1	1500	
SUM71004	135	7567	S1	356	
SUM71004-4	135	7567	S1	356	
SUM71006	135	10014	S1	391	
SUM71006-4	135	10014	S1	391	
SUM71504	135	9694	S1	376	
SUM71504-4	135	9694	S1	374	
SUM71506-4	135	13228	S1	469	
SUM72004-4	135	11257	S1	407	
SUM72004SM-4	135	10684	S1	378	
SUM72006-4	135	14587	S1	474	
SUM72504-4	135	13650	S1	495	
SUM72504SM-4	135	13650	S1	517	
SUM72506-4	135	18927	S1	496	
SUM73004-4	135	14744	S1	445	
SUM73006-4	135	22712	S1	1150	
SUM74004-4	135	19961	S1	510	
SUM75004-4	135	23360	S1	882	
SUM75004SM-4	135	23360	S1	880	
SUM75006-4	135	25332	S1	872	
SUM76004-4	135	29877	S1	950	
SUM77504-4	135	38734	S1	956	
SUM77506-4	135	39606	S1	1374	
TA05HK	322, 337, 355, 363	88	GB	2	

Catalog Number	Page Number	List Price	Mult Sym.	Ship Wgt ⁽¹⁾	Type Code
TA13HK	355	170	A8	2	
TA18HK	355	188	A8	2	
TA21HK	355	210	A8	6	
TA24HK	355	211	A8	2	
TA26HK	355	215	A8	2	
TA30HK	355	219	A8	2	
TA32HK	355	224	A8	6	
TA38HK	355	234	A8	2	
Terminal Shield (D1-D2)	300	74	EM		
Terminal Shield (D3)	300	111	EM		
Terminal Shield (D4)	300	137	EM		
TK3300	285	202	A8	1	
TK3400	285	358	A8	4	
TK3500	285	377	A8	9	
TK3600	285	498	A8	10	
TK3600PM	285	498	A8	7	
TK7500	285	516	A8	17	
TK9100	285	557	A8	23	
TKP1836ENC	283	867	A8	17	
TKP1836XP	283	1142	A8	1	
TKP2136AC	283	65	A8	2	
TKP2136NC	283	65	A8	3	
TKP2136XC	283	1689	A8	16	
TKP2136XPT	283	1142	A8	13	
TKP400AC	283	65	A8	1	
TKP400ENC	283	867	A8	16	
TKP400NC	283	65	A8	1	
TKP400XP	283	1142	A8	2	
TKP500AC	283	65	A8	1	
TKP500ENC	283	867	A8	17	
TKP500NC	283	65	A8	1	
TKP500XC	283	1689	A8	7	
TKP500XP	283	1142	A8	3	
UCL1015	157	2212	L1	137	3744LC
UCL3145	157	1043	L1	59	3540LC
UCL345	157	1086	L1	72	3634L
UCL570	157	1283	L1	91	3646L
UCL710	157	1376	L1	89	3646LC
UCL7510	157	1742	L1	107	3729L
UCLE1015	157	2252	L1	167	3750LC
UCLE153	157	1078	L1	52	3532LC
UCLE3145	157	1104	L1	61	3540LC
UCLE570	157	1344	L1	93	3646LC
UCLE7510	157	1453	L1	95	3646LC
UCM1014	157	1459	L1	102	3726M
UCM575	157	949	L1	66	3628M
UCM713	157	1135	L1	89	3646M
UCME1014	157	1507	L1	124	3733M
UCME153	157	758	L1	39	3524M
UCME3145	157	801	L1	46	3528M

⁽¹⁾ Shipping weight is approximate.

Baldor
Mod Express

ABB
Mod Express

ABB ATEX
Mod Express

Product
Index

Baldor
Sales Offices

Catalog Number	Page Number	List Price	Mult Sym.	Ship Wgt ⁽¹⁾	Type Code
UCME570	157	1006	L1	69	3628M
UCME7510	157	1180	L1	85	3640M
UCME759	157	1180	L1	84	3640M
VAOM3527	147	798	K	57	3546M
VAOM3560	147	673	K	50	3528M
VBL3507	177	1338	K	40	3428LC
VBL3510	177	1418	K	49	3522LC
VBL3510T	177	1418	L1	49	3522LC
VBL3518-D	173	1209	K	68	3520L
VBL3519-D	173	1343	K	67	3524L
VBL3597-D	173	1277	K	68	3520L
VBM3108	180	929	K	28	3416M
VBM3112	180	1086	K	31	3420M
VBM3116	180	1175	K	33	3424M
VBM3154	180	1366	K	44	3519M
VBM3154T	180	1475	L1	41	3519M
VBM3157T	180	1662	L1	48	3523M
VBM3211T	180	2105	L1	81	3624M
VBM3218T	180	2612	L1	84	3630M
VBM3248T	180	2197	L1	83	3630M
VBM3538	178	986	K	30	3420M
VBM3538-5D	175	1205	K	48	3512M
VBM3538-5S	176	1144	K	42	3511M
VBM3538-D	174	1205	K	46	3511M
VBM3538-S	176	1144	K	41	3511M
VBM3542	178	1155	K	35	3428M
VBM3542-5	178	1155	K	40	3516M
VBM3542-D	174	1251	K	52	3514M
VBM3542-S	176	1190	K	47	3514M
VBM3546	178	1330	K	38	3426M
VBM3546-5S	176	1245	K	35	3516M
VBM3546-S	176	1245	K	47	3516M
VBM3546T-5	178	1330	L1	40	3514M
VBM3546T-5D	175	1412	L1	40	3516M
VBM3546T-D	174	1412	L1	49	3516M
VBM3554	178	1493	K	48	3521M
VBM3554T	178	1493	L1	49	3521M
VBM3554T-5S	176	1290	L1	55	3521M
VBM3558	178	1530	K	50	3523M
VBM3558-S	176	1321	K	57	3524M
VBM3558T	178	1530	L1	50	3523M
VBM3558T-D	174	1499	L1	56	3524M
VBM3558T-S	176	1321	L1	57	3524M
VBM3611T	178	2139	L1	67	3622M
VBM3611T-D	174	2076	L1	80	3542M
VBM3611T-S	176	1825	L1	79	3542M
VBM3615T	178	2643	L1	89	3634M
VBM3615T-5D	175	2567	L1	81	3634M
VBM3615T-D	175	2567	L1	105	3634M
VBM3710T	178	3386	L1	128	3728M

Catalog Number	Page Number	List Price	Mult Sym.	Ship Wgt ⁽¹⁾	Type Code
VBM3714T	178	4296	L1	154	3740M
VBNM3538-D	174	1233	K	44	3512M
VBNM3542-D	174	1280	K	48	3514M
VBNM3554-D	174	1385	K	64	3533M
VDM3537	59	624	SD	25	
VDM3538	59	646	SD	28	
VDM3541	59	660	SD	27	
VDM3542	59	672	SD	31	
VEBM3116T	180	1498	L1	44	3519M
VEBM3154T	180	1565	L1	44	3522M
VEBM3157T	180	1618	L1	50	3525M
VEBM3211T	180	1856	L1	81	3630M
VEBM3218T	180	2233	L1	100	3640M
VEBM3248T	180	1938	L1	99	3640M
VEBM3542-D	174	1373	K	50	3517M
VEBM3546	178	1588	K	45	3519M
VEBM3546-5S	176	1332	K	51	3519M
VEBM3546-D	174	1429	K	54	3519M
VEBM3546-S	176	1332	K	51	3519M
VEBM3546T	178	1598	L1	45	3519M
VEBM3546T-5	178	1525	L1	44	3519M
VEBM3546T-5D	175	1534	L1	52	3519M
VEBM3546T-D	174	1534	L1	51	3519M
VEBM3546T-S	176	1342	L1	51	3519M
VEBM3554	178	1784	K	53	3526M
VEBM3554-D	174	1488	K	58	3526M
VEBM3554-S	176	1443	K	54	3526M
VEBM3554T	178	1794	L1	52	3526M
VEBM3554T-5D	175	1597	L1	55	3526M
VEBM3554T-5S	176	1453	L1	54	3526M
VEBM3554T-D	174	1597	L1	58	3526M
VEBM3554T-S	176	1453	L1	54	3526M
VEBM3558	178	1823	K	56	3528M
VEBM3558-D	174	1622	K	57	3528M
VEBM3558-S	176	1490	K	58	3528M
VEBM3558T	178	1833	L1	57	3528M
VEBM3558T-5D	175	1631	L1	62	3528M
VEBM3558T-5S	176	1500	L1	58	3528M
VEBM3558T-D	174	1631	L1	62	3528M
VEBM3558T-S	176	1500	L1	58	3528M
VEBM3611T	178	2397	L1	82	3631M
VEBM3611T-5D	175	2153	L1	101	3628M
VEBM3611T-D	174	2153	L1	101	3631M
VEBM3611T-S	176	1796	L1	83	3631M
VEBM3615T	178	2891	L1	99	3642M
VEBM3615T-5D	175	2596	L1	117	3640M
VEBM3615T-D	175	2596	L1	117	3642M
VEBM3615T-S	176	2089	L1	106	3642M
VEBM3710T	178	3880	L1	172	3738M
VEBM3710T-D	175	3534	L1	127	3738M

⁽¹⁾ Shipping weight is approximate.

Catalog Number	Page Number	List Price	Mult Sym.	Ship Wgt ⁽¹⁾	Type Code
VEBM3714T	178	4835	L1	165	3752M
VEBM3714T-D	175	4099	L1	177	3752M
VEBNM3538	178	1392	K	37	3516M
VEBNM3542	178	1565	K	53	3517M
VEBNM3546-D	174	1441	K	51	3524M
VEBNM3546T-D	174	1451	L1	51	3524M
VEBNM3554T-D	174	1565	L1	62	3533M
VECP2276T	50	3392	SD	338	0954M
VECP2332T	50	4246	SD	348	0960M
VECP2333T	50	3279	SD	314	0944M
VECP2333T-4	50	3279	SD	303	0944M
VECP2334T	50	3476	SD	338	0952M
VECP2334T-4	50	3476	SD	365	0952M
VECP3580-4	50	1001	SD	60	0516M
VECP3581	50	1094	SD	66	0524M
VECP3581-4	50	1094	SD	66	0524M
VECP3581T	50	1094	SD	67	0524M
VECP3581T-4	50	1094	SD	66	0524M
VECP3582T	50	1205	SD	69	0526M
VECP3583T-4	50	1129	SD	67	0524M
VECP3584T	50	1112	SD	71	0530M
VECP3584T-4	50	1112	SD	70	0530M
VECP3586T-4	50	1182	SD	74	0532M
VECP3587T	50	1158	SD	75	0535M
VECP3587T-4	50	1158	SD	75	0535M
VECP3660T-4	50	1419	SD	103	0628M
VECP3661T	50	1487	SD	112	0632M
VECP3661T-4	50	1487	SD	105	0632M
VECP3663T-4	50	1727	SD	108	0634M
VECP3664T	50	1451	SD	114	0642M
VECP3665T	50	1513	SD	119	0641M
VECP3665T-4	50	1513	SD	119	0641M
VECP3667T	50	1431	SD	103	0630M
VECP3764T	50	2140	SD	165	0737M
VECP3768T	50	2165	SD	225	0748M
VECP3769T-4	50	2313	SD	173	0731M
VECP3770T	50	1966	SD	170	0735M
VECP3770T-4	50	1966	SD	170	0735M
VECP3771T-4	50	2450	SD	203	0742M
VECP3774T	50	2322	SD	231	0748M
VECP3774T-4	50	2322	SD	231	0748M
VECP4100T	50	5006	SD	503	1056M
VECP4102T	50	6534	SD	528	1062M
VECP4103T	50	4602	SD	483	1046M
VECP4111T	50	6877	SD	636	1260M
VECP82333T-4	56	3318	SD	324	0944M
VECP82334T-4	56	3517	SD	355	0960M
VECP82394T-4	56	3403	SD	304	0934M
VECP83583T-4	56	1153	SD	75	0524M
VECP83584T-4	56	1199	SD	76	0530M

Catalog Number	Page Number	List Price	Mult Sym.	Ship Wgt ⁽¹⁾	Type Code
VECP83586T-4	56	1264	SD	83	0535M
VECP83587T-4	56	1250	SD	79	0535M
VECP83660T-4	56	1536	SD	121	0632M
VECP83661T-4	56	1628	SD	117	0632M
VECP83663T-4	56	1871	SD	132	0643M
VECP83665T-4	56	1637	SD	128	0641M
VECP83769T-4	56	2414	SD	179	0731M
VECP83770T-4	56	2062	SD	211	0737M
VECP83771T-4	56	2563	SD	225	0742M
VECP83774T-4	56	2499	SD	231	0748M
VECP84106T-4	56	3879	SD	319	0954M
VEDM3545	59	907	SD	28	
VEDM3546	59	1004	SD	37	
VEDM3550	59	992	SD	44	
VEDM3554	59	1086	SD	42	
VEDM3558	59	1133	SD	47	
VEDM3558T	59	1143	SD	47	
VEDM3611T	59	1262	SD	86	
VEDM3615T	59	1291	SD	91	
VEDM3710T	59	1920	SD	131	
VEDM3714T	59	2091	SD	147	
VEFVDM3546	80	1062	WD	38	3519M
VEFVDM3546T	80	1070	WD	36	3519M
VEFVDM3554T	80	1148	WD	43	3526M
VEJMM2333T	125	3297	L1	278	0944M
VEJMM2333T-5	125	3020	L1	255	0944M
VEJMM2334T	125	3510	L1	303	0952M
VEJMM2334T-5	125	3510	L1	303	0952M
VEJMM3116T	128	707	L1	37	3519M
VEJMM3154T	128	758	L1	43	3522M
VEJMM3157T	128	829	L1	46	3525M
VEJMM3158T	128	878	L1	48	3528M
VEJMM3211T	128	910	L1	74	3630M
VEJMM3212T	128	1050	L1	63	3623M
VEJMM3218T	128	1030	L1	84	3640M
VEJMM3219T	128	1515	L1	77	3632M
VEJMM3311T	128	1554	L1	125	3733M
VEJMM3312T	128	1774	L1	121	3728M
VEJMM3313T	128	1682	L1	165	3752M
VEJMM3314T	128	2379	L1	131	3734M
VEJMM3546T	125	691	L1	38	3519M
VEJMM3546T-5	125	889	L1	38	3519M
VEJMM3554T	125	729	L1	45	3526M
VEJMM3554T-5	125	971	L1	41	3526M
VEJMM3558T	125	873	L1	44	3528M
VEJMM3558T-5	125	1018	L1	45	3528M
VEJMM3611T	125	996	L1	74	3631M
VEJMM3611T-5	125	1146	L1	70	3631M
VEJMM3615T	125	1149	L1	90	3642M
VEJMM3615T-5	125	1175	L1	93	3642M

⁽¹⁾ Shipping weight is approximate.

Baldor
Mod Express

ABB
Mod Express

ABB ATEX
Mod Express

Product
Index

Baldor
Sales Offices

Catalog Number	Page Number	List Price	Mult Sym.	Ship Wgt ⁽¹⁾	Type Code
VEJMM3710T	125	1682	L1	136	3738M
VEJMM3710T-5	125	1660	L1	127	3736M
VEJMM3714T	125	1948	L1	165	3752M
VEJMM3714T-5	125	1831	L1	165	3752M
VEL11301	17	440	K	27	3418LC
VEL11303	17	458	K	24	3413LC
VEL11304	17	490	K	32	3424LC
VEL11305	17	760	K	42	3526LC
VEL11306	17	478	K	39	3428LC
VEL11307	17	578	K	44	3524LC
VEL11308	17	852	K	47	3530LC
VEL11309	17	556	K	43	3524LC
VEL11313	17	628	K	52	3532LC
VEL11317	17	691	K	66	3540LC
VEL11318	17	662	K	44	3528LC
VEL11319	17	783	K	59	3540LC
VEM2332T	31	3492	L1	322	0960M
VEM2333T	31	2889	L1	268	0944M
VEM2333T-5	32	2889	L1	266	0944M
VEM2334T	31	3379	L1	303	0952M
VEM2334T-5	32	3379	L1	296	0952M
VEM2394T	31	3103	L1	225	0750M
VEM2513T	40	2692	L1	234	3938M
VEM2514T	40	2727	L1	185	3928M
VEM2515T	40	2922	L1	220	3944M
VEM2516T	40	3209	L1	233	3938M
VEM2531T	40	3749	L1	377	4050M
VEM2534T	40	3987	L1	320	4040M
VEM31104	39	479	K	24	3416M
VEM31107	39	510	K	24	3416M
VEM31108	39	525	K	31	3424M
VEM31109	39	571	K	34	3428M
VEM31111	39	508	K	25	3416M
VEM31112	39	575	K	32	3516M
VEM31115	39	520	K	27	3420M
VEM31116	39	604	K	37	3520M
VEM31120	39	536	K	34	3518M
VEM31153	39	696	K	39	3524M
VEM31154	39	659	K	35	3526M
VEM31155	39	600	K	43	3524M
VEM31157	39	690	K	48	3530M
VEM31158	39	669	K	50	3528M
VEM3116T	39	749	L1	38	3519M
VEM3120T	39	650	L1	34	3518M
VEM3154T	39	781	L1	37	3522M
VEM3155T	39	756	L1	43	3524M
VEM3156T	39	765	L1	39	3524M
VEM3157T	39	834	L1	43	3525M
VEM3158T	39	765	L1	50	3532M
VEM3159T	39	889	L1	68	3628M

Catalog Number	Page Number	List Price	Mult Sym.	Ship Wgt ⁽¹⁾	Type Code
VEM3161T	39	794	L1	74	3630M
VEM3211T	39	930	L1	74	3630M
VEM3212T	39	866	L1	64	3544M
VEM3215T	39	942	L1	82	3636M
VEM3218T	39	1012	L1	92	3640M
VEM3219T	40	1331	L1	77	3632M
VEM3305T	39	1269	L1	137	3733M
VEM3309T	39	1613	L1	141	3744M
VEM3311T	40	1543	L1	120	3733M
VEM3312T	40	1602	L1	121	3728M
VEM3313T	40	1834	L1	132	3739M
VEM3314T	40	2207	L1	131	3734M
VEM3538	29	695	LS	31	3513M
VEM3542	29	738	LS	35	3517M
VEM3545	29	669	K	32	3516M
VEM3545-5	31	669	K	27	3516M
VEM3545-57	202	631	K	35	3516M
VEM3546	29	766	LS	36	3519M
VEM3546-5	31	766	LS	35	3519M
VEM3546-57	202	625	K	34	3518M
VEM3546T	29	776	LS	36	3519M
VEM3546T-5	31	776	LS	36	3519M
VEM3546T-57	202	625	L1	34	3518M
VEM3550	30	754	K	35	3520M
VEM3550-5	31	754	K	38	3520M
VEM3550T	30	764	L1	38	3520M
VEM3550T-5	31	764	L1	35	3520M
VEM3550T-57	202	686	L1	43	3524M
VEM3554	30	848	LS	42	3526M
VEM3554-5	31	848	K	50	3533M
VEM3554T	30	858	LS	41	3526M
VEM3554T-5	31	858	LS	41	3526M
VEM3554T-57	202	649	L1	41	3526M
VEM3555	30	823	K	43	3526M
VEM3555-5	31	823	K	41	3526M
VEM3555-57	202	681	K	50	3532M
VEM3555T	30	833	L1	41	3526M
VEM3555T-57	202	749	L1	50	3532M
VEM3556	29	874	K	43	3526M
VEM3556T	29	884	L1	41	3526M
VEM3557	30	903	K	72	3632M
VEM3557T	30	913	L1	72	3632M
VEM3558	30	895	LS	46	3528M
VEM3558-5	31	895	K	45	3528M
VEM3558T	30	905	LS	47	3528M
VEM3558T-5	31	905	LS	46	3528M
VEM3558T-57	202	688	L1	45	3528M
VEM3559	30	899	K	50	3532M
VEM3559-5	31	899	K	50	3532M
VEM3559T	30	909	L1	50	3532M

Catalog Number	Page Number	List Price	Mult Sym.	Ship Wgt ⁽¹⁾	Type Code
VEM3561	30	868	K	70	3631M
VEM3561T	30	878	L1	70	3631M
VEM3581	29	978	K	52	0519M
VEM3581T	29	978	L1	54	0519M
VEM3581T-5	31	978	L1	53	0519M
VEM3584T	30	1012	L1	60	0526M
VEM3584T-5	31	1012	L1	58	0526M
VEM3587T	30	1058	L1	59	0527M
VEM3587T-5	31	1058	L1	60	0527M
VEM3609	168	1279	L1	45	3528M
VEM3610T	30	954	L1	50	3532M
VEM3610T-5	31	954	L1	53	3532M
VEM3611	168	1321	L1	70	3631M
VEM3611T	30	962	LS	73	3631M
VEM3611T-5	31	962	L1	71	3631M
VEM3613	168	1187	L1	74	3630M
VEM3613T	30	1050	L1	75	3630M
VEM3613T-5	32	1050	L1	74	3630M
VEM3614	168	1445	L1	97	3644M
VEM3614T	30	1109	L1	91	3646M
VEM3615	168	1509	L1	93	3642M
VEM3615T	30	991	LS	88	3642M
VEM3615T-5	32	991	L1	88	3642M
VEM3616T	30	1362	L1	96	3646M
VEM3661T	30	1226	L1	98	0632M
VEM3661T-5	31	1226	L1	98	0632M
VEM3663T	30	1448	L1	99	0628M
VEM3664T	30	1336	L1	113	0642M
VEM3665T	30	1252	L1	109	0641M
VEM3665T-5	32	1252	L1	110	0641M
VEM3704T	30	1488	L1	132	3739M
VEM3708T	30	1663	L1	149	3754M
VEM3709T	30	1604	L1	96	3646M
VEM3709T-5	32	1604	L1	101	3646M
VEM3710T	30	1465	L1	129	3738M
VEM3710T-5	32	1465	L1	123	3738M
VEM3711T	31	1624	L1	125	3732M
VEM3711T-5	32	1624	L1	118	3729M
VEM3713T	31	2234	L1	170	3750M
VEM3713T-5	32	2234	L1	169	3752M
VEM3714T	31	1636	L1	165	3752M
VEM3714T-5	32	1636	L1	165	3752M
VEM3770T	30	1700	L1	170	0735M
VEM3770T-5	32	1700	L1	170	0735M
VEM3774T	31	1883	L1	197	0748M
VEM3774T-5	32	1883	L1	231	0748M
VEM4103T	31	4431	L1	425	1046M
VEM4104T	31	5112	L1	286	1056M
VEM4106T	31	3349	L1	229	0936M
VEM4107T	31	4383	L1	283	0946M

Catalog Number	Page Number	List Price	Mult Sym.	Ship Wgt ⁽¹⁾	Type Code
VEM4108T	31	5062	L1	299	0950M
VEM7013	100	1140	K	32	3418M
VEM7014	100, 106	1333	K	51	3519M
VEM7014-5	98	1333	K	42	3519M
VEM7014-I	106	1366	SD	52	3519M
VEM7014T	100	1333	L1	51	3519M
VEM7014T-5	98	1324	L1	44	3519M
VEM7014T-I	106	1366	SD	52	3519M
VEM7018T	100	1319	L1	47	3520M
VEM7026T	101	1723	L1	80	3622M
VEM7032	100	1541	K	49	3526M
VEM7034	100	1444	K	50	3526M
VEM7034-I	106	1554	SD	56	3526M
VEM7034T	100	1444	L1	50	3526M
VEM7034T-5	98	1443	L1	50	3526M
VEM7034T-I	106	1554	SD	59	3526M
VEM7035T	100	1649	L1	102	3632M
VEM7037	100	1530	K	59	3528M
VEM7037T	100	1530	L1	59	3528M
VEM7037T-5	98	1529	L1	54	3528M
VEM7037T-I	106	1648	SD	62	3530M
VEM7042T	101	1851	L1	108	3631M
VEM7042T-5	98	1727	L1	95	3631M
VEM7042T-I	106	1851	SD	108	3631M
VEM7044T	101	2241	L1	118	3642M
VEM7044T-5	98	2040	L1	110	3642M
VEM7044T-I	106	2241	SD	122	3643M
VEM7045T	101	2867	L1	149	3728M
VEM7047T	101, 106	2631	L1	161	3738M
VEM7047T-5	98	2631	L1	161	3736M
VEM7047T-I	106	2626	SD	170	3738M
VEM7054T-I	106	4609	SD	374	0944M
VEM7056T-I	106	5467	SD	393	0952M
VEM7058T-I	106	6688	SD	560	1050M
VEM7060T-I	106	7767	SD	572	1056M
VEM7062T-I	106	10349	SD	721	1254M
VEM7064T-I	106	11776	SD	771	1276M
VEM7071T	100	1451	L1	55	3526M
VEM7072T	101	2152	L1	93	3630M
VEM7073T	101	2529	L1	115	3646M
VEM7075T	101	1634	L1	59	3532M
VEM7170T	101	3204	L1	249	0748M
VEM7170T-I	106	3199	SD	252	0750M
VENC83580T-4	56	985	SD	59	0520M
VENC83581T-4	56	1063	SD	63	0524M
VENM3538	29	641	K	32	3516M
VENM3542	29	700	L1	33	3517M
VENM3546	29	766	K	38	3519M
VENM3546T	29	776	L1	40	3524M
VENM3581T	29	978	L1	56	0524M

⁽¹⁾ Shipping weight is approximate.

Baldor
Mod Express

ABB
Mod Express

ABB ATEX
Mod Express

Product
Index

Baldor
Sales Offices

Catalog Number	Page Number	List Price	Mult Sym.	Ship Wgt ⁽¹⁾	Type Code
VESWDM3546	86	1095	WD	39	3524M
VESWDM3546T	86	1099	WD	43	3525M
VESWDM3554	86	1192	WD	47	3533M
VESWDM3554T	86	1192	WD	49	3533M
VESWDM3558T	86	1361	WD	55	3536M
VEUHM3538	171	607	K	33	3513M
VEUHM3542	171	645	K	35	3517M
VEUHM3546	171	664	K	38	3519M
VEUHM3546-5	172	664	K	38	3519M
VEUHM3546T	171	676	L1	38	3519M
VEUHM3546T-5	172	676	L1	38	3519M
VEUHM3554	171	845	K	41	3526M
VEUHM3554T	171	706	L1	43	3526M
VEUHM3554T-5	172	706	L1	44	3526M
VEUHM3558	171	891	K	45	3528M
VEUHM3558T	171	784	L1	48	3528M
VEUHM3558T-5	172	784	L1	48	3528M
VEUHM3611T	171	891	L1	73	3631M
VEUHM3611T-5	172	891	L1	70	3631M
VEUHM3615T	171	980	L1	88	3642M
VEUHM3710T	171	1445	L1	151	3738M
VEWDM3538	80	868	WD	32	3516M
VEWDM3542	80	955	WD	32	3517M
VEWDM3546	80	1034	WD	40	3524M
VEWDM3546T	80	1042	WD	40	3524M
VEWDM3554	80	1110	WD	48	3533M
VEWDM3554T	80	1119	WD	48	3533M
VEWDM3558	80	1181	WD	46	3528M
VEWDM3558T	80	1204	WD	47	3528M
VEWDM3559	80	1368	WD	50	3532M
VEWDM3611T	80	1513	WD	73	3631M
VEWDM3615T	80	1715	WD	89	3642M
VEWDM3651T	80	1524	WD	101	3646M
VEWDM3710T	80	2294	WD	151	3738M
VEWDM3714T	80	2465	WD	165	3752M
VFDL3516TM	155	1236	L1	53	3535LC
VFDL3610TM	155	1674	L1	98	3640LC
VFDL3612TM	155	2044	L1	101	3646LC
VFDL3501M	155	557	K	23	3414L
VFDL3504M	155	638	K	27	3421L
VFDL3507M	155	742	K	44	3432LC
VFDL3510M	155	840	K	40	3524L
VFDL3514M	155	951	K	48	3532LC
VFDL3516TM	155	1236	L1	53	3535LC
VFDL3610TM	155	1674	L1	98	3640LC
VFDL3612TM	155	2044	L1	101	3646LC
VFWDM3538	80	678	WD	29	3512M
VFWDM3542	80	733	WD	31	3514M
VHECP2333T	131	4562	SD	316	0944M
VHECP2334T	131	5181	SD	337	0952M

Catalog Number	Page Number	List Price	Mult Sym.	Ship Wgt ⁽¹⁾	Type Code
VHECP2394T	131	4401	SD	296	0934M
VHECP3660T	131	2394	SD	120	0624M
VHECP3661T	131	2144	SD	129	0632M
VHECP3663T	131	3092	SD	99	0632M
VHECP3665T	131	2855	SD	141	0641M
VHECP3769T	131	3661	SD	173	0726M
VHECP3770T	131	3543	SD	170	0735M
VHECP3771T	131	3818	SD	203	0742M
VHECP3774T	131	3975	SD	231	0748M
VHECP4103T	131	5780	SD	518	1046M
VHECP4104T	131	6486	SD	563	1060M
VHECP4106T	131	4786	SD	325	0944M
VHECP4107T	131	5089	SD	337	0950M
VHECP4108T	131	5604	SD	361	0954M
VHECP4109T	131	7844	SD	600	1240M
VHECP4110T	131	7335	SD	650	1260M
VHECP4114T	131	9612	SD	668	1256M
VHECP4115T	131	10362	SD	764	1272M
VHECP4310T	131	12280	SD	959	A36056M
VHECP4313T	131	15342	SD	1042	A36068M
VHECP4314T	131	12819	SD	969	A36062M
VHECP4316T	131	15611	SD	1008	A36070M
VHEM2513T	133	3172	L1	360	0948M
VHEM2514T	133	3207	L1	229	0936M
VHEM2515T	133	3402	L1	283	0946M
VHEM2516T	133	3689	L1	283	0946M
VHEM2531T	133	4143	L1	420	1046M
VHEM2534T	133	4381	L1	385	1042M
VHEM2535T	133	4439	L1	460	1072M
VHEM2538T	133	5362	L1	410	1046M
VHEM2539T	133	5846	L1	600	1250M
VHEM2542T	133	6106	L1	500	1250M
VHEM2543T	133	6313	L1	700	1272M
VHEM2546T	133	7373	L1	641	1268M
VHEM3210T	133	1069	L1	61	0620M
VHEM3211T	133	1200	L1	100	0630M
VHEM3212T	133	1136	L1	95	0624M
VHEM3218T	133	1282	L1	119	0641M
VHEM3219T	133	1601	L1	122	0643M
VHEM3311T	133	1815	L1	173	
VHEM3312T	133	1874	L1	164	0730M
VHEM3313T	133	2106	L1	231	0748M
VHEM3314T	133	2479	L1	203	0744M
VHM2513T	133	3632	L1	337	0938M
VHM2514T	133	3812	L1	310	0928M
VHM2515T	133	4125	L1	334	0936M
VHM2516T	133	4055	L1	333	0934M
VHM2531T	133	4602	L1	442	1040M
VHM2534T	133	4461	L1	450	0950M
VHM2535T	133	5168	L1	462	1046M

⁽¹⁾ Shipping weight is approximate.

Catalog Number	Page Number	List Price	Mult Sym.	Ship Wgt ⁽¹⁾	Type Code
VHM2538T	133	6437	L1	486	1050M
VHM2539T	133	6020	L1	660	1248M
VHM2542T	133	7888	L1	680	1248M
VHM2543T	133	8504	L1	682	1254M
VHM2546T	133	10078	L1	705	1256M
VHM3211T	133	1861	L1	96	0623M
VHM3212T	133	2686	L1	99	0628M
VHM3218T	133	2480	L1	105	0633M
VHM3219T	133	3181	L1	158	0640M
VHM3311T	133	3078	L1	169	0725M
VHM3313T	133	3454	L1	165	0733M
VJMM2333T	125	2867	L1	236	0756M
VJMM2333T-5	125	2867	L1	236	0756M
VJMM2334T-5	125	2964	L1	276	0944M
VJMM3157T	128	680	L1	42	3523M
VJMM3211T	128	742	L1	62	3536M
VJMM3212T	128	874	L1	60	3535M
VJMM3218T	128	793	L1	73	3630M
VJMM3219T	128	1029	L1	74	3627M
VJMM3311T	128	1158	L1	122	3731M
VJMM3312T	128	1291	L1	110	3726M
VJMM3313T	128	1356	L1	119	3733M
VJMM3546T	125	670	L1	35	3516M
VJMM3546T-5	125	670	L1	38	3516M
VJMM3554T	125	701	L1	40	3521M
VJMM3554T-5	125	701	L1	40	3521M
VJMM3558T	125	733	L1	43	3524M
VJMM3558T-5	125	733	L1	44	3524M
VJMM3611T	125	876	L1	61	3542M
VJMM3611T-5	125	876	L1	72	3542M
VJMM3615T	125	981	L1	78	3634M
VJMM3710T	125	1274	L1	115	3731M
VJMM3710T-5	125	1274	L1	115	3731M
VJMM3714T	125	1573	L1	132	3740M
VJMM3714T-5	125	1573	L1	136	3740M
VJPFPM2513T	114	2230	FP	220	
VJPFPM2514T	114	2389	FP	145	
VJPFPM2514T-2/4	114	2389	FP	145	
VJPFPM2515T	114	2497	FP	231	
VJPFPM2516T	114	2745	FP	221	
VJPFPM2516T-2/4	114	2745	FP	221	
VJPFPM2531T	114	3062	FP	272	
VJPFPM2534T	114	3250	FP	235	
VJPFPM2534T-2/4	114	3250	FP	235	
VJPFPM2535T	114	3758	FP	375	
VJPFPM2538T	114	3885	FP	263	
VJPFPM2538T-2/4	114	3885	FP	263	
VJPFPM2539T	114	4519	FP	375	
VJPFPM2542T	114	4841	FP	331	
VJPFPM2542T-2/4	114	4841	FP	331	

Catalog Number	Page Number	List Price	Mult Sym.	Ship Wgt ⁽¹⁾	Type Code
VJPFPM2543T	114	5030	FP	378	
VJPFPM2546T	114	5730	FP	385	
VJPFPM2546T-2/4	114	5730	FP	385	
VJPFPM2547T	114	6232	FP	480	
VJPFPM2549T	114	7728	FP	472	
VJPFPM2549T-2/4	114	7728	FP	472	
VJPFPM2550T	114	8245	FP	523	
VJPFPM2550T-2/4	114	8245	FP	523	
VJPFPM2551T	114	7275	FP	565	
VJPFPM3312T	114	1397	FP	121	
VJPFPM3312T-2/4	114	1397	FP	121	
VJPFPM3313T	114	1559	FP	117	
VJPFPM3314T	114	1795	FP	131	
VJPFPM3314T-2/4	114	1795	FP	131	
VL1205A	17	293	K	23	3416L
VL1301A	17	352	K	22	3414L
VL1303A	17	337	K	26	3420L
VL1304A	17	420	K	25	3418L
VL1306A	17	401	K	30	3424L
VL1307A	17	548	K	34	3520L
VL1309A	17	423	K	32	3428L
VL1313A	17	578	K	35	3432LC
VL1317A	17	748	K	44	3528L
VL1318A	17	581	K	41	3528L
VL1321T	17	740	L1	48	3535L
VL1322T	17	754	L1	49	3532LC
VL1406T	17	916	L1	61	3532LC
VL1408T	17	927	L1	78	3634LC
VL3501	14	372	K	22	3414L
VL3501-50	202	459	K	17	3418L
VL3503	14	376	K	23	3413L
VL3503-50	202	416	K	25	3420L
VL3504	14	435	K	27	3421L
VL3504-50	202	532	K	31	3428L
VL3505	14	805	K	43	3528L
VL3506	14	418	K	29	3424L
VL3506-50	202	480	K	35	3520L
VL3506A	14	462	K	28	3424L
VL3507	14	498	K	33	3428LC
VL3507-50	202	630	K	39	3524L
VL3508	14	926	K	44	3528LC
VL3509	14	481	K	36	3520L
VL3509-50	202	564	K	40	3524L
VL3509A	14	526	K	41	3524L
VL3510	14	571	K	40	3524L
VL3510-50	202	721	K	47	3532L
VL3510T	14	571	L1	44	3524L
VL3513	14	626	K	40	3524L
VL3513-50	202	726	K	48	3532L
VL3513T	14	665	L1	41	3524L

⁽¹⁾ Shipping weight is approximate.

Baldor
Mod Express

ABB
Mod Express

ABB ATEX
Mod Express

Product
Index

Baldor
Sales Offices

Catalog Number	Page Number	List Price	Mult Sym.	Ship Wgt ⁽¹⁾	Type Code
VL3514	14	647	K	48	3532LC
VL3514-50	202	815	K	51	3535LC
VL3514T	14	654	L1	50	3532LC
VL3515	14	801	K	50	3535L
VL3515-50	202	921	K	52	3535LC
VL3515T	14	816	L1	51	3535L
VL3605	169	1375	L1	64	3628L
VL3605T	14	1157	L1	66	3628L
VL3606T	14	1291	L1	73	3634L
VL3609T	14	1366	L1	79	3634LC
VL4005A	99	557	K	34	3416L
VL5000A	99	732	K	29	3414L
VL5001A	99	748	K	34	3414L
VL5002A	99	1002	K	42	3520L
VL5003A	99	721	K	28	3416L
VL5004A	99	826	K	37	3424L
VL5005A	99	1149	K	51	3528L
VL5006A	99	771	K	40	3516L
VL5007A	99	920	K	48	3524L
VL5009A	99	826	K	48	3524L
VL5023A	99	1045	K	52	3524L
VL5024A	99	1379	K	76	3546L
VL5027	99	2194	L1	90	3634L
VL5030	99	1189	K	51	3528L
VLCP2333T	131	4364	SD	236	0756M
VLCP2334T	132	4953	SD	307	0938M
VLCP3660T	131	2292	SD	83	0617M
VLCP3665T	131	2730	SD	131	0633M
VLCP3771T	131	3654	SD	171	0727M
VLCP3774T	131	3802	SD	169	0733M
VLCP4103T	132	5527	SD	384	0954M
VLCP4106T	132	4596	SD	338	0940M
VLCP4107T	132	4868	SD	372	0942M
VLCP4108T	132	5358	SD	383	0950M
VLCP4110T	132	7015	SD	638	1248M
VLECP2333T	131	3814	SD	268	0944M
VLECP2334T	132	4304	SD	303	0952M
VLECP2394T	131	4028	SD	225	0934M
VLECP3660T	131	1752	SD	99	0628M
VLECP3661T	131	1783	SD	105	0632M
VLECP3663T	131	2005	SD	105	0632M
VLECP3665T	131	1809	SD	119	0641M
VLECP3769T	131	2348	SD	169	0731M
VLECP3770T	131	2291	SD	170	0735M
VLECP3771T	131	2617	SD	182	0742M
VLECP3774T	131	2474	SD	231	0748M
VLECP4103T	132	5795	SD	420	1046M
VLECP4104T	132	6476	SD	460	1060M
VLECP4106T	132	4274	SD	265	0944M
VLECP4107T	132	5747	SD	396	1048M

Catalog Number	Page Number	List Price	Mult Sym.	Ship Wgt ⁽¹⁾	Type Code
VLECP4108T	132	6426	SD	446	1048M
VLECP4109T	132	8585	SD	528	1240M
VLECP4110T	132	8381	SD	600	1260M
VM2332T	31	2685	L1	283	0946M
VM2333T	31	2515	LS	236	0756M
VM2333T-5	32	2515	LS	271	0938M
VM2334T	31	2944	LS	240	0760M
VM2334T-5	32	2944	LS	271	0938M
VM2394T	31	2779	L1	225	0748M
VM2514T	40	2402	L1	147	3739M
VM2516T	40	2838	LS	200	3934M
VM3116T	39	488	LS	33	3516M
VM3120T	39	572	L1	34	3518M
VM3153T	39	606	L1	32	3428M
VM3155T	39	631	L1	32	3522M
VM3156T	39	680	L1	40	3521M
VM3158T	39	671	L1	46	3528M
VM3159T	39	741	L1	59	3539M
VM3161T	39	687	L1	56	3536M
VM3211T	39	644	L1	64	3536M
VM3212T	39	726	L1	74	3538M
VM3215T	39	772	L1	70	3628M
VM3218T	39	705	L1	71	3630M
VM3219T	40	891	L1	70	3627M
VM3311T	40	1040	L1	115	3731M
VM3312T	40	1276	L1	109	3726M
VM3313T	40	1246	L1	119	3733M
VM3314T	40	1807	L1	119	3731M
VM3531	29	503	K	20	3411M
VM3534	29	356	LS	21	3413M
VM3534-5	31	356	LS	21	3413M
VM3534-57	202	408	K	21	3413M
VM3535	29	565	K	22	3414M
VM3537	29	386	K	20	3410M
VM3537-5	31	386	K	19	3410M
VM3537-57	202	443	K	22	3413M
VM3538	29	408	LS	23	3416M
VM3538-5	31	408	LS	22	3416M
VM3538-57	202	477	K	25	3420M
VM3539	29	606	K	24	3418M
VM3541	29	422	K	21	3413M
VM3541-5	31	422	K	21	3413M
VM3541-57	202	462	K	26	3420M
VM3542	29	434	LS	26	3420M
VM3542-5	31	434	LS	26	3420M
VM3542-57	202	512	K	32	3428M
VM3543	29	620	K	32	3428M
VM3543T	29	620	L1	33	3428M
VM3545	29	494	K	23	3416M
VM3545-5	31	494	K	23	3416M

⁽¹⁾ Shipping weight is approximate.

Catalog Number	Page Number	List Price	Mult Sym.	Ship Wgt ⁽¹⁾	Type Code
VM3545-57	202	548	K	26	3420M
VM3546	29	453	LS	31	3519M
VM3546-5	31	453	LS	31	3514M
VM3546-57	202	543	K	35	3517M
VM3546T	29	551	LS	34	3516M
VM3546T-57	202	543	L1	34	3517M
VM3550	30	537	K	30	3424M
VM3550T	30	623	L1	37	3520M
VM3550T-57	202	596	L1	36	3520M
VM3554	30	509	LS	36	3520M
VM3554T	30	561	LS	38	3521M
VM3554T-5	31	561	LS	39	3521M
VM3554T-57	202	564	L1	38	3521M
VM3555	30	598	K	33	3428M
VM3555-5	31	598	K	33	3428M
VM3555-57	202	592	K	44	3526M
VM3555T	30	710	L1	43	3526M
VM3555T-57	202	651	L1	43	3526M
VM3556	29	632	K	36	3520M
VM3556T	29	742	L1	41	3522M
VM3557	30	722	K	48	3529M
VM3557T	30	775	L1	63	3546M
VM3558	30	546	LS	41	3523M
VM3558-5	31	546	LS	40	3523M
VM3558T	30	589	LS	41	3524M
VM3558T-5	31	589	LS	38	3524M
VM3558T-57	202	598	L1	46	3530M
VM3559	30	693	K	46	3528M
VM3559T	30	810	L1	48	3528M
VM3561	30	726	K	51	3535M
VM3561T	30	784	L1	60	3542M
VM3610T	30	887	L1	53	3528M
VM3610T-5	31	887	L1	56	3535M
VM3611T	30	711	LS	63	3542M
VM3611T-5	31	711	LS	63	3542M
VM3613T	30	1010	L1	70	3626M
VM3613T-5	32	1010	L1	73	3630M
VM3614T	30	938	L1	75	3633M
VM3615T	30	814	LS	77	3634M
VM3615T-5	32	814	LS	75	3634M
VM3616T	30	1215	L1	88	3640M
VM3661T	30	1146	L1	96	0629M
VM3663T	30	1389	L1	90	0624M
VM3665T	30	1163	L1	100	0633M
VM3704T	30	1230	L1	109	3728M
VM3708T	30	1455	L1	129	3737M
VM3709T	30	1527	L1	93	3640M
VM3709T-5	32	1527	L1	91	3640M
VM3710T	30	1086	LS	114	3731M
VM3710T-5	32	1086	LS	114	3731M

Catalog Number	Page Number	List Price	Mult Sym.	Ship Wgt ⁽¹⁾	Type Code
VM3711T	31	1588	L1	114	3729M
VM3711T-5	32	1588	L1	115	3729M
VM3713T	31	1983	L1	160	3748M
VM3713T-5	32	1983	L1	170	3748M
VM3714T	31	1293	LS	131	3740M
VM3714T-5	32	1293	LS	127	3740M
VM3770T	30	1609	L1	164	0729M
VM3774T	31	1717	L1	169	0733M
VM4103T	31	3693	LS	322	0954M
VM4104T	31	3765	LS	418	1044M
VM4106T	31	3009	L1	255	0754M
VM4107T	31	3862	L1	300	0942M
VM4108T	31	4139	L1	313	0950M
VM7001A	100	871	K	25	3410M
VM7002A	100	890	K	27	3413M
VM7005A	100	861	K	26	3410M
VM7006-5	98	936	K	37	3512M
VM7006A	100	936	K	29	3416M
VM7006-I	106	858	SD	51	3512M
VM7007A	100	1089	K	39	3516M
VM7009A	100	890	K	28	3413M
VM7010-5	98	953	K	38	3513M
VM7010A	100	953	K	33	3420M
VM7010-I	106	953	SD	48	3514M
VM7013	100	927	K	30	3416M
VM7014	100	1001	K	40	3428M
VM7014-5	98	1001	K	39	3514M
VM7014-I	106	1001	SD	51	3516M
VM7014T	100	1080	L1	39	3516M
VM7014T-5	98	1080	L1	41	3516M
VM7014T-I	106	1080	SD	51	3516M
VM7018T	100	1138	L1	45	3520M
VM7026T	101	1489	L1	80	3620M
VM7031A	100	1144	K	47	3524M
VM7032	100	1205	K	44	3520M
VM7034	100	1078	K	44	3520M
VM7034-I	106	1078	SD	55	3521M
VM7034T	100	1164	L1	46	3521M
VM7034T-5	98	1164	L1	47	3521M
VM7034T-I	106	1164	SD	58	3521M
VM7035T	100	1331	L1	72	3546M
VM7037	100	1165	K	49	3523M
VM7037T	100	1259	L1	50	3524M
VM7037T-5	98	1259	L1	49	3524M
VM7037T-I	106	1259	SD	60	3526M
VM7042T	101	1614	L1	91	3628M
VM7042T-5	98	1614	L1	90	3628M
VM7042T-I	106	1614	SD	106	3628M
VM7044T	101	1966	L1	103	3634M
VM7044T-5	98	1966	L1	113	3638M

⁽¹⁾ Shipping weight is approximate.

Baldor
Mod Express

ABB
Mod Express

ABB ATEX
Mod Express

Product
Index

Baldor
Sales Offices

Catalog Number	Page Number	List Price	Mult Sym.	Ship Wgt ⁽¹⁾	Type Code
VM7044T-I	106	1966	SD	120	3638M
VM7045T	101	2475	L1	165	3723M
VM7047T	101	2275	L1	157	3731M
VM7047T-5	98	2275	L1	157	3731M
VM7047T-I	106	2275	SD	165	3735M
VM7071T	100	1273	L1	52	3526M
VM7072T	101	1883	L1	108	3634M
VM7073T	101	2126	L1	110	3640M
VM7075T	101	1412	L1	58	3528M
VM7170T	101	2760	L1	173	0733M
VM7170T-I	106	2760	SD	230	0737M
VNDM3538	59	646	SD	35	
VNDM3542	59	672	SD	37	
VNEDM3546	59	1004	SD	41	
VNEDM3546T	59	1014	SD	41	
VNEDM3554	59	1086	SD	48	
VNEDM3554T	59	1096	SD	49	
VNM3537	29	543	K	32	3516M
VNM3538	29	444	K	22	3416M
VNM3541	29	580	K	36	3520M
VNM3542	29	450	K	31	3428M
VNM3546	29	531	K	40	3524M
VP3311D	271	695	K	23	3320P
VP3316D	271	733	K	27	3327P
VP3326D	271	820	K	31	3336P
VP3411-14	271	781	K	30	3410P
VP3416-14	271	832	K	31	3413P
VP3426-14	271	881	K	37	3420P
VP3428-14	271	850	K	31	3416P
VP3428D	271	850	K	33	3416P
VP3436-14	271	996	K	40	3428P
VP3436D	271	996	K	40	3428P
VP3439-14	271	881	K	35	3420P
VP3439D	271	881	K	37	3420P
VP3455-14	271	1211	K	45	3435P
VP3455D	271	1211	K	46	3435P
VP3458-14	271	996	K	38	3428P
VP3458D	271	996	K	41	3428P
VP3468-14	271	1110	L1	43	3432P
VP3468D	271	1110	L1	47	3432P
VP3575-14	271	2244	L1	73	3536P
VP3575D	271	2244	L1	71	3536P
VP3585-14	271	2677	L1	80	3548P
VP3585D	271	2677	L1	78	3548P
VP3588-14	271	2244	L1	70	3536P
VP3588D	271	2244	L1	69	3536P
VP3603D	271	3294	L1	121	3649P
VP3605D	271	5592	L1	166	3681P
VP7424-14	271	485	DS	10	
VP7424D	271	485	DS	10	

Catalog Number	Page Number	List Price	Mult Sym.	Ship Wgt ⁽¹⁾	Type Code
VPCP4114T	132	9191	SD	646	1248M
VPCP4115T	132	9907	SD	660	1254M
VPCP4313T	132	13203	SD	982	A36044M
VPCP4314T	132	11035	SD	933	A36042M
VPCP4316T	132	13434	SD	1010	A36056M
VPECP4114T	132	6429	SD	587	1256M
VPECP4115T	132	6199	SD	700	1272M
VPECP4310T	132	9032	SD	999	A36056M
VPECP4313T	132	10507	SD	1005	A36068M
VPECP4314T	132	8919	SD	910	A36062M
VPECP4316T	132	10429	SD	965	A36070M
VRBM3161T	173	2579	L1	82	7543M
VRBM3538	173	1399	K	35	3420M
VRBM3542	173	1638	K	47	3428M
VRBM3546	173	1888	K	47	3436M
VRBM3546T	173	2019	L1	46	3436M
VRBM3554T	173	2054	L1	63	7530M
VRBM3558T	173	2110	L1	69	7536M
VRBM3561T	173	2173	L1	76	7543M
VSSEFWDM3538	90	1395	WD	49	3516M
VSSEFWDM3542	90	1443	WD	54	3521M
VSSEFWDM3546	90	1509	WD	59	3525M
VSSEFWDM3546T	90	1522	WD	59	3525M
VSSEWDM3537	90	1344	WD	49	3516M
VSSEWDM3538	90	1367	WD	49	3516M
VSSEWDM3541	90	1393	WD	54	3520M
VSSEWDM3542	90	1415	WD	53	3521M
VSSEWDM3543	90	1703	WD	61	3530M
VSSEWDM3545	90	1465	WD	57	3524M
VSSEWDM3546	90	1480	WD	58	3525M
VSSEWDM3546T	90	1494	WD	58	3525M
VSSEWDM3550	90	1485	WD	66	3532M
VSSEWDM3550T	90	1499	WD	66	3532M
VSSEWDM3554	90	1493	WD	66	3533M
VSSEWDM3554T	90	1537	WD	66	3533M
VSSEWDM3555T	90	1831	WD	70	3532M
VSSEWDM3556	90	1763	WD	72	3537M
VSSEWDM3558	90	1818	WD	71	3538M
VSSEWDM3558T	90	1854	WD	71	3538M
VSSEWDM3559T	90	2199	WD	61	3546M
VSSEWDM3611T	90	2217	WD	60	3635M
VSSEWDM3613T	90	2390	WD	81	3634M
VSSEWDM3615T	90	2409	WD	101	3646M
VSSEWDM3709T	90	2989	WD	129	3735M
VSSEWDM3710T	90	3053	WD	132	3739M
VSSEWDM3711T	90	3405	WD	154	3744M
VSSEWDM3713T	90	5164	WD	187	3756M
VSSEWDM3714T	90	3615	WD	187	3756M
VSSEWDM3554	90	1465	WD	63	3546M
VSSEWDM3554T	90	1509	WD	63	3546M

Catalog Number	Page Number	List Price	Mult Sym.	Ship Wgt ⁽¹⁾	Type Code
VSSEWDNM3555	90	1764	WD	61	3546M
VSSEWDNM3555T	90	1803	WD	61	3546M
VSSEWDNM3558	90	1790	WD	63	3546M
VSSEWDNM3558T	90	1826	WD	63	3546M
VSSEWDNM3610T	90	2262	WD	93	3646M
VSSEWDNM3611T	90	2182	WD	109	3646M
VSSFWDM3538	88	1383	WD	40	3513M
VSSFWDM3542	88	1428	WD	44	3519M
VSSWDM3457	88	1023	WD	33	3513M
VSSWDM3534	88	1078	WD	33	3512M
VSSWDM3537	88	1215	WD	37	3513M
VSSWDM3538	88	1308	WD	40	3516M
VSSWDM3541	88	1262	WD	41	3518M
VSSWDM3542	88	1356	WD	42	3519M
VSSWDM3546	88	1393	WD	46	3524M
VSWDM3538	86	707	WD	28	3512M
VSWDM3542	86	818	WD	31	3514M
VUHL3518	171	464	K	35	3520L
VUHL3519	171	571	K	40	3524L
VUHM3538	171	414	K	30	3511M
VUHM3538-5	172	414	K	33	3513M
VUHM3542	171	439	K	35	3513M
VUHM3542-5	172	439	K	34	3516M
VUHM3546	171	470	K	35	3516M
VUHM3546T	171	507	L1	36	3516M
VUHM3554	171	512	K	40	3521M
VUHM3554T	171	553	L1	39	3521M
VUHM3558	171	551	K	43	3524M
VUHM3558T	171	595	L1	43	3524M
VUHM3611T	171	719	L1	64	3542M
VUHM3615T	171	822	L1	75	3634M
VWDL3504	77	594	WD	35	3520L
VWDL3507	77	698	WD	36	3520L
VWDL3510	77	799	WD	42	3524L
VWDL3514	77	959	WD	48	3532LC
VWDM3457	80	493	WD	20	3410M
VWDM3534	80	519	WD	33	3512M
VWDM3538	80	649	WD	29	3512M
VWDM3538-5	81	649	WD	28	3512M
VWDM3542	80	705	WD	33	3516M
VWDM3542-5	81	705	WD	32	3516M
VWDM3546	80	755	WD	35	3518M
VWDM3558	80	844	WD	40	3523M
W64	374	53	A8		
W70	374	62	A8		
W82	374	70	A8		
WCL1406T	120	994	L1	81	3628L
WCL1408T	120	1140	L1	91	3634LC
WCL1409T	120	1407	L1	91	3634L
WCL1508T	120	1620	L1	116	3727L

Catalog Number	Page Number	List Price	Mult Sym.	Ship Wgt ⁽¹⁾	Type Code
WCL1509T	120	2013	L1	117	3729L
WCL1511T	120	2482	L1	143	3740L
WCM3212T	126	818	L1	69	3535M
WCM3219T	126	995	L1	83	3627M
WCM3312T	127	1356	L1	114	3726M
WCM3314T	127	1830	L1	137	3731M
WCM3709T	122	1374	L1	100	3640M
WCM3711T	123	1644	L1	126	3729M
WCM3713T	123	1960	L1	160	3748M
WCM3714T	123	1522	L1	136	3740M
WD5600A01SP	91	35	A8	1	
WD5603A01SP	91	15	A8	1	
WD5603A05SP	91	60	A8	1	
WDGF0518AG	346	675	GB	30	
WDGF1013AG	346	628	GB	20	
WDGF1015AG	346	664	GB	25	
WDGF1015BG	346	664	GB	25	
WDGF1018AG	346	675	GB	30	
WDGF1021AG	346	832	GB	35	
WDGF1024BG	346	974	GB	40	
WDGF1513AG	346	628	GB	20	
WDGF1515AG	346	664	GB	25	
WDGF1518AG	346	675	GB	30	
WDGF1521AG	346	832	GB	35	
WDGF1524AG	346	974	GB	40	
WDGF2013AG	346	628	GB	20	
WDGF2015AG	346	664	GB	25	
WDGF2018AG	346	675	GB	30	
WDGF2026BG	346	1113	GB	52	
WDGF3018AG	346	675	GB	30	
WDGF3021AG	346	832	GB	35	
WDGF3024AG	346	974	GB	40	
WDGF3026AG	346	1113	GB	55	
WDGF3032BG	346	1633	GB	87	
WDGF4015AG	346	664	GB	25	
WDGF4018AG	346	675	GB	30	
WDGF4021AG	346	832	GB	35	
WDGF4024AG	346	974	GB	40	
WDGF4026AG	346	1113	GB	55	
WDGF4032BG	346	1633	GB	87	
WDGF5013AG	346	628	GB	20	
WDGF5015AG	346	664	GB	25	
WDGF5021AG	346	832	GB	35	
WDGF5024AG	346	974	GB	40	
WDGF5026AG	346	1113	GB	55	
WDGF5032BG	346	1633	GB	92.45	
WDGF6015AG	346	664	GB	25	
WDGF6018AG	346	675	GB	30	
WDGF6021AG	346	832	GB	35	
WDGF6024AG	346	974	GB	40	

⁽¹⁾ Shipping weight is approximate.

Baldor
Mod Express

ABB
Mod Express

ABB ATEX
Mod Express

Product
Index

Baldor
Sales Offices

Catalog Number	Page Number	List Price	Mult Sym.	Ship Wgt ⁽¹⁾	Type Code
WDGF6026AG	346	1113	GB	55	
WDGF6032AG	346	1633	GB	92	
WDL3504	77	592	WD	34	3520L
WDL3507	77	693	WD	37	3520L
WDL3510	77	801	WD	41	3524L
WDL3510T	77	823	WD	41	3524L
WDL3514T	77	987	WD	50	3532LC
WDM3538	78	621	WD	27	3512M
WDM3542	78	664	WD	30	3514M
WDM3558TP	82	1185	WD	39	3528M
WDM3561TP	82	1455	WD	59	3544M
XEFRPM18104	51, 205	2585	E2	158	
XEFRPM18154	51, 205	3295	E2	180	
XEFRPM18204	51, 205	3535	E2	194	
XEFRPM201004	51, 205	17330	E2	880	
XEFRPM21104	51	2585	E2	170	
XEFRPM21254	51, 205	4625	E2	270	
XEFRPM21304	51, 205	5490	E2	290	
XEFRPM25154	51	3295	E2	195	
XEFRPM25204	51	3535	E2	210	
XEFRPM25404	51, 205	7180	E2	410	
XEFRPM25504	51, 205	8430	E2	475	
XEFRPM281254	51, 205	20490	E2	880	
XEFRPM28254	51	4625	E2	290	
XEFRPM28304	51	5490	E2	315	
XEFRPM28604	51, 205	11300	E2	635	
XEFRPM28754	51, 205	13200	E2	720	
XEFRPM32404	51	7180	E2	435	
XEFRPM32504	51	8430	E2	500	
XEFRPM36604	51	11300	E2	690	
XEFRPM36754	51	13200	E2	775	
XEFRPM401004	51	17330	E2	955	
YPC144A	152	297	K	18	3408C
YPC164A	152	337	K	22	3411C
YPC244A	152	321	K	21	3411C
YPC245A	152	326	K	21	3411C
YPC264A	152	369	K	22	3414C
YPC344A	152	369	K	22	3414C
YPC345A	152	374	K	24	3414C
YPC364A	152	422	K	27	3420C
ZDBRPM18154C	208	6548	E2	180	
ZDBRPM18204C	208	7010	E2	209	
ZDBRPM21304C	208	7827	E2	290	
ZDBRPM21404	208	8242	E2	355	
ZDBRPM25504	208	8981	E2	475	
ZDBRPM25604	208	12383	E2	540	
ZDBRPM25754	208	14432	E2	605	
ZDBRPM281004R1	208	16091	E2	805	
ZDBRPM281254	208	16923	E2	890	
ZDBRPM321254	208	22967	E2	1170	

Catalog Number	Page Number	List Price	Mult Sym.	Ship Wgt ⁽¹⁾	Type Code
ZDBRPM321504	208	30109	E2	1310	
ZDBRPM362004	208	33113	E2	1700	
ZDBRPM402004	208	35581	E2	1750	
ZDFRPM18104C	208	6402	E2	179	
ZDFRPM21204C	208	7827	E2	290	
ZDFRPM21254C	208	7912	E2	355	
ZDFRPM25304C	208	8221	E2	475	
ZDFRPM25404	208	8572	E2	605	
ZDM2276T	216	6979	E2	333	0954M
ZDM2332T	216	8180	E2	356	0960M
ZDM2333T	216	5282	E2	317	0944M
ZDM2333T-5	216	5282	E2	289	0944M
ZDM2334T	216	5537	E2	342	0952M
ZDM2334T-5	216	5537	E2	340	0952M
ZDM3581T	216	3291	E2	66	0524M
ZDM3581T-5	216	3291	E2	65	0519M
ZDM3582T	216	3594	E2	62	0526M
ZDM3584T	216	3392	E2	70	0530M
ZDM3584T-5	216	3392	E2	62	0528M
ZDM3587T	216	3517	E2	75	0535M
ZDM3587T-5	216	3517	E2	74	0535M
ZDM3661T	216	4065	E2	112	0632M
ZDM3661T-5	216	4065	E2	110	0628M
ZDM3664T	216	3913	E2	113	0642M
ZDM3665T	216	4209	E2	125	0640M
ZDM3665T-5	216	4209	E2	125	0640M
ZDM3667T	216	3849	E2	99	0630M
ZDM3764T	216	4636	E2	187	0737M
ZDM3768T	216	5328	E2	226	0748M
ZDM3770T	216	4754	E2	170	0735M
ZDM3770T-5	216	4754	E2	170	0735M
ZDM3774T	216	4982	E2	231	0748M
ZDM3774T-5	216	4982	E2	231	0748M
ZDM4100T	216	9409	E2	445	1056M
ZDM4102T	216	10401	E2	462	1062M
ZDM4103T	216	6461	E2	416	1046M
ZDM4104T	216	7186	E2	445	1056M
ZDM4110T	216	9166	E2	610	1256M
ZDM4111T	216	11636	E2	615	1260M
ZDM4115T	216	10099	E2	631	1262M
ZDM4117T	216	12773	E2	624	1264M
ZDNM2237T	216	4627	E2	242	0932M
ZDNM2238T	216	4770	E2	284	0948M
ZDNM2333T	216	4866	E2	286	0948M
ZDNM2334T	216	6129	E2	405	1056M
ZDNM3581T	216	2872	E2	59	0524M
ZDNM3584T	216	3006	E2	58	0524M
ZDNM3661T	216	3543	E2	104	0632M
ZDNM3669T	216	3315	E2	95	0628M
ZDNM3767T	216	4024	E2	173	0734M

⁽¹⁾ Shipping weight is approximate.

Catalog Number	Page Number	List Price	Mult Sym.	Ship Wgt ⁽¹⁾	Type Code
ZDNRPM18054C	208	5692	E2	143	
ZDNRPM18074C	208	6241	E2	194	
ZDNRPM21104C	208	7017	E2	280	
ZDPM18010C-BV	205	7233	E2	132	
ZDPM18015C-BV	205	7315	E2	158	
ZDPM18020C-BV	205	8892	E2	180	
ZDPM18025C-BV	205	8913	E2	209	
ZDPM18030C-BV	205	8913	E2	209	
ZDPM21040-BV	205	9339	E2	290	
ZDPM21050-BV	205	9674	E2	325	
ZDPM21060-BV	205	10597	E2	355	
ZDPM25075-BV	205	17411	E2	540	
ZDPM25100-BV	205	18448	E2	605	
ZDPM28125-BV	205	19486	E2	730	
ZDPM28150-BV	205	20523	E2	805	
ZDVSCP2333T	214	6421	E2	374	0944M
ZDVSCP2334T	214	6819	E2	388	0952M
ZDVSCP3661T	214	3902	E2	135	0632M
ZDVSCP3665T	214	4234	E2	128	0641M
ZDVSCP3770T	214	4905	E2	201	0735M
ZDVSCP3774T	214	5368	E2	218	0748M
ZDVSCP4103T	214	8157	E2	481	1056M
ZDVSCP4104T	214	8760	E2	494	1060M
ZDVSCP4110T	214	10047	E2	762	1264M
ZDVSCP4115T	214	11872	E2	757	1272M
ZDVSM2333T	213	5620	E2	295	0944M
ZDVSM2334T	213	5939	E2	317	0952M
ZDVSM3661T	213	3508	E2	118	0632M
ZDVSM3665T	213	3773	E2	129	0641M
ZDVSM3770T	213	4329	E2	184	0735M
ZDVSM3774T	213	5088	E2	210	0748M
ZDVSM4103T	213	7046	E2	458	1056M
ZDVSM4104T	213	7528	E2	472	1060M
ZDVSM4110T	213	8404	E2	716	1264M
ZDVSM4115T	213	9863	E2	721	1272M
ZDVSM4314T	213	11781	E2	907	A36062M
ZDVSM4316T	213	14292	E2	944	A36068M
ZDVSM4400T-4	213	17935	E2	1230	A40064M
ZDVSM4406T-4	213	25685	E2	1806	A44078M
ZDVSM4407T-4	213	30096	E2	2203	A44106M
ZDVSM4408T-4	213	41779	E2	2550	A44128M
ZDVSM4410T-4	213	21819	E2	1667	A44062M
ZDVSM44304T-4	213	41779	E2	2817	A44160M
ZDVSNCP3581T	214	3016	E2	65	0524M
ZDVSNCP3584T	214	3150	E2	72	0533M
ZDVSNCP3587T	214	3459	E2	73	0535M
ZDVSNM2237T	213	4399	E2	211	0748M
ZDVSNM2238T	213	5354	E2	325	0948M
ZDVSNM2333T	213	6069	E2	348	0948M
ZDVSNM3538	213	2136	E2	37	3516M

Catalog Number	Page Number	List Price	Mult Sym.	Ship Wgt ⁽¹⁾	Type Code
ZDVSNM3542	213	2201	E2	38	3519M
ZDVSNM3581T	213	2872	E2	59	0524M
ZDVSNM3584T	213	3006	E2	70	0533M
ZDVSNM3587T	213	3315	E2	66	0535M
ZDVSNM3661T	213	3556	E2	111	0635M
ZDVSNM3665T	213	3828	E2	124	0643M
ZDWNM22937T	93	5667	WD	241	3940M
ZDWNM22938T	93	5767	WD	286	3956M
ZDWNM3546T	93	3107	WD	44	3524M
ZDWNM3554T	93	3264	WD	56	3533M
ZDWNM3609T	93	3576	WD	71	3628M
ZDWNM3611T	93	3609	WD	90	3640M
ZDWNM3707T	93	3878	WD	126	3735M

⁽¹⁾ Shipping weight is approximate.

Baldor Electric Company

Baldor Electric Company provides up to date data to our customers on our www.baldor.com web site that can be accessed for:

**Local Sales Offices
Authorized Distributors
Sales Terms and Conditions
Freight Policy
Warranty Policy**

**Authorized Service Centers
Product Literature
Energy Efficiency Information
Customer Product Education**

Baldor Sales Offices

UNITED STATES

ARIZONA

PHOENIX
4211 S 43RD PLACE
PHOENIX, AZ 85040
PHONE: 602-470-0407
FAX: 602-470-0464

ARKANSAS

CLARKSVILLE
706 WEST MAIN STREET
CLARKSVILLE, AR 72830
PHONE: 479-754-9108
FAX: 479-754-9205

CALIFORNIA

LOS ANGELES
6480 FLOTILLA STREET
COMMERCE, CA 90040
PHONE: 323-724-6771
FAX: 323-721-5859

HAYWARD

21056 FORBES STREET
HAYWARD, CA 94545
PHONE: 510-785-9900
FAX: 510-785-9910

COLORADO

DENVER
3855 FOREST STREET
DENVER, CO 80207
PHONE: 303-623-0127
FAX: 303-595-3772

CONNECTICUT

WALLINGFORD
65 SOUTH TURNPIKE ROAD
WALLINGFORD, CT 06492
PHONE: 203-269-1354
FAX: 203-269-5485

FLORIDA

**TAMPA/PUERTO RICO/
VIRGIN ISLANDS**
3906 EAST 11TH AVENUE
TAMPA, FL 33605
PHONE: 813-248-5078
FAX: 813-241-9514

GEORGIA

ATLANTA
62 TECHNOLOGY DRIVE
ALPHARETTA, GA 30005
PHONE: 770-772-7000
FAX: 770-772-7200

ILLINOIS

CHICAGO
1055 REMINGTON BLVD.
BOLINGBROOK, IL 60440
PHONE: 630-296-1400
FAX: 630-226-9420

INDIANA

INDIANAPOLIS
5835 DECATUR BLVD, SUITE 100
INDIANAPOLIS, IN 46241
PHONE: 317-857-6019
FAX: 317-830-8131

IOWA

DES MOINES
6243 NE INDUSTRY DRIVE
DES MOINES, IA 50313
PHONE: 515-263-6929
FAX: 515-263-6515

MARYLAND

BALTIMORE
7071A DORSEY RUN RD
ELKRIDGE, MD 21075
PHONE: 410-579-2135
FAX: 410-579-2677

MASSACHUSETTS

BOSTON
6 PULLMAN STREET
WORCESTER, MA 01606
PHONE: 508-854-0708
FAX: 508-854-0291

MICHIGAN

DETROIT
5993 PROGRESS DRIVE
STERLING HEIGHTS, MI 48312
PHONE: 586-978-9800
FAX: 586-978-9969

MINNESOTA

MINNEAPOLIS
13098 GEORGE WEBER DR,
SUITE 400
ROGERS, MN 55374
PHONE: 763-428-3633
FAX: 763-428-4551

MISSOURI

ST LOUIS
13678 LAKEFRONT DRIVE
EARTH CITY, MO 63045
PHONE: 314-373-3032
FAX: 314-373-3038

KANSAS CITY

9810 INDUSTRIAL BLVD.
LENEXA, KS 66215
PHONE: 816-587-0272
FAX: 816-587-3735

NEW YORK

AUBURN
ONE ELLIS DRIVE
AUBURN, NY 13021
PHONE: 315-255-3403
FAX: 315-253-9923

NORTH CAROLINA

GREENSBORO
1220 ROTHERWOOD ROAD
GREENSBORO, NC 27406
PHONE: 336-272-6104
FAX: 336-273-6628

OHIO

CINCINNATI
2929 CRESCENTVILLE ROAD
WEST CHESTER, OH 45069
PHONE: 513-771-2600
FAX: 513-772-2219

CLEVELAND

8929 FREEWAY DRIVE
MACEDONIA, OH 44056
PHONE: 330-468-4777
FAX: 330-468-4778

OKLAHOMA

TULSA
9925 EAST ADMIRAL PLACE
TULSA, OK 74116
PHONE: 918-366-9320
FAX: 918-366-9338

OREGON

PORTLAND
16201 SE 98TH AVENUE
CLACKAMAS, OR 97015
PHONE: 503-691-9010
FAX: 503-691-9012

PENNSYLVANIA

PHILADELPHIA
103 CENTRAL AVENUE
SUITE 400B
MOUNT LAUREL, NJ 08054
PHONE: 856-840-8011
FAX: 856-840-0811

PITTSBURGH

159 PROMINENCE DRIVE
NEW KENSINGTON, PA 15068
PHONE: 724-889-0092
FAX: 724-889-0094

TENNESSEE

MEMPHIS
4000 WINCHESTER ROAD
MEMPHIS, TN 38118
PHONE: 901-365-2020
FAX: 901-365-3914

TEXAS

DALLAS
2920 114TH STREET SUITE 100
GRAND PRAIRIE, TX 75050
PHONE: 214-634-7271
FAX: 214-634-8874

HOUSTON

10355 W. LITTLE YORK ROAD
SUITE 300
HOUSTON, TX 77041
PHONE: 281-977-6500
FAX: 281-977-6510

UTAH

SALT LAKE CITY
2230 SOUTH MAIN STREET
SALT LAKE CITY, UT 84115
PHONE: 801-832-0127
FAX: 801-832-8911

WISCONSIN

MILWAUKEE
1960 SOUTH CALHOUN ROAD
NEW BERLIN, WI 53151
PHONE: 262-784-5940
FAX: 262-784-1215

CANADA

EDMONTON, ALBERTA
4053-92 STREET
EDMONTON, ALBERTA T6E 6R8
PHONE: 780-434-4900
FAX: 780-438-2600

TORONTO

OAKVILLE, ONTARIO
2910 BRIGHTON ROAD
OAKVILLE, ONTARIO, CANADA L6H 5S3
PHONE: 905-829-3301
FAX: 905-829-3302

MONTREAL, QUEBEC

5155 J-ARMAND BOMBARDIER
SAINT-HUBERT, QUÉBEC
CANADA J3Z 1G4
PHONE: 514-933-2711
FAX: 514-933-8639

VANCOUVER, BRITISH COLUMBIA

1538 KEBET WAY
PORT COQUITLAM,
BRITISH COLUMBIA V3C 5M5
PHONE 604-421-2822
FAX: 604-421-3113

INTERNATIONAL SALES

TO BUY PRODUCT OUTSIDE OF THESE
LOCATIONS, PLEASE CONTACT ABB AT:
<http://www.abb.com/contacts>

Baldor
Mod Express

ABB
Mod Express

ABB ATEX
Mod Express

Product
Index

Baldor
Sales Offices

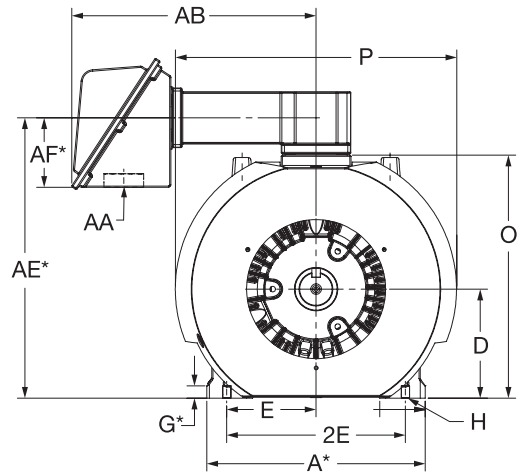
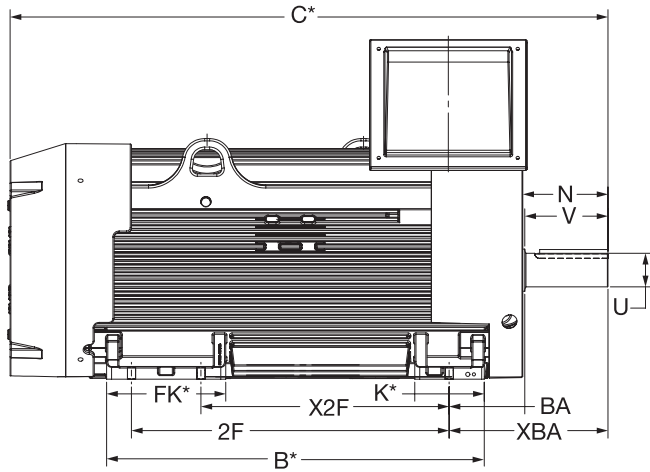
CATALOG NOTES:

1. Class F Insulated Motor with 1.15 Service Factor or higher that operates within Class "B" temperature limits at rated horsepower.
2. 1.00 Service Factor.
3. Capacitor start, induction run.
5. Belted duty only, roller bearing.
6. F-2 Mounting
7. Copper Bar Rotor
8. Class "H" Insulated.
9. Metric frame dimensions
10. Non-stock, built on demand.
11. F-3 Mounting
12. 1.25 Service Factor
13. 1.35 Service Factor
14. 1.00 Service Factor, Class F Rise
15. Small Motor Rule Compliant. Average Efficiency.
16. Motor can no longer be produced as of June 1, 2016. The Integral Horsepower Rule allows for existing inventory of this motor built prior to June 1, 2016 to be sold until inventory is depleted.
17. Capable of 100% thrust in either direction.
18. Motors are rated for Division 2, Class I, Groups C&D only
19. 60/50 Hertz motor. 60 Hertz data shown, contact your local Baldor•Reliance office for 50 Hertz data.
20. Class F Insulation.
21. Stage 3 EU MEPS.
24. Part Winding Start or DOL.
25. Wye Start, Delta Run or DOL.
27. Motors have ball bearing suitable for coupled loads. If load is belted, a roller bearing may be required, contact your local Baldor•Reliance office.
29. V-dimension is 2.5".
30. Usable at 208 volts.
31. Design D
33. Voltage @ 60 Hz.
35. Design A, Exceeds Design B inrush limits.
36. Can mount as NEMA 56, 143T & 145T frames with NEMA 56 frame shaft dimensions.
37. Can mount as NEMA 56, 143T & 145T frames with NEMA 143T-145T frame shaft dimensions.
40. Brake motors may be mounted for vertical mounting with brake below motor.
41. Brake motors may be mounted for vertical mounting with brake above or below motor.
42. Brake motors must be modified for vertical mounting. Springs included with brake.
45. Horizontal mount, no C-Face. May be converted to C-Face in Mod Express or built as custom motors.
46. Includes 1024 ppr encoder.
47. BA dimension does not meet NEMA standards.
48. Includes phase insulation. Suitable for use on inverter.
50. Voltage @ 50 Hz, usable on 460 Volt 60 Hz.
51. Full Load Amps @ 400 Volt nominal - 50 Hz.
52. IP55 Enclosure.
53. Tungsten Carbide Outer Seal
56. Legacy Reliance E-Line motor design. Has F1 side mounted conduit box. Single frame mounting holes in 447 & 449 frame sizes.
57. Can mount as NEMA 145T frame with 145T frame shaft dimensions.
59. Suitable for operation @ 415V, 50 Hz.
60. Totally-Enclosed, Non-Ventilated, Continuous Duty.
63. Foot also drilled for 447T frame mounting.
64. Motors include 100 ohm platinum winding RTDs and space heaters.
65. Capacitor start, capacitor run (two value capacitor).
66. Resilient mount single phase motors with moderate starting torque for fan applications.
67. NEMA 48 Base Mount, not swivel mount.
68. 3 lead.
69. 6 lead suitable for part winding start on 200 volts.
70. Constant velocity fan: 230/460 volts, three phase.
71. Nominal efficiency is based at the 1800 RPM (High RPM) and low speed efficiency is available just not published.
73. SCR Motors with a 3:1 constant torque speed range.
74. V-dimension is 3".
77. Inverter Duty.
78. Furnished without conduit box. (Order kit BK2400)
80. Motor has thermostat and provisions for adding flange mounted tach.
81. 230/460V 3Ø motor, 200/400V 3Ø motor or 115/230V 1Ø motor connected for voltage shown. Can be reconnected for other voltage.
82. Single voltage motor. Cannot reconnect.
83. May be operated on 50Hz rectified power supply with full nameplate rating. AC supply voltage must be same as 60Hz supply; i.e., either 230 or 460 volts. Motor nameplate is stamped D-50/60. Motor mounted blower may be added to DPG enclosure.
84. May be operated on 50Hz rectified power supply with full nameplate rating only when motor is force ventilated with motor mounted blower. AC supply voltage must be same as 60Hz supply.
85. Cannot be operated at full nameplate rating on 50Hz rectified power supply.
87. Motor has thermostat and provisions for adding adapter mounted tach.
88. Sleeve bearings - coupled loads only.
89. Cooling fan on each end.
90. Foot mounted and 180TC face.
91. Foot mounted and 210TC face.
92. Foot mounted and 250TC face.
93. Foot mounted only.
94. Foot mounted only. These stock models include VPI insulation on L440 only, insulated ODE bearing, shaft ground brush, and stator RTD's.
95. Foot mounted only. Includes filter, VPI, insulated ODE bearing and two sets of thermostats.
96. UL Recognized thermal protection.
97. One size smaller flange and shaft.
99. G-Series motor design. Has F3 Lead outlet in frame and an arm mounted conduit box for F1 & F2 Lead Location. Dual Frame mounting holes in 445/447 and 447/449 frames.
100. Motor will be discontinued once inventory is depleted
101. Blower on drive end.
102. Force vent with blower and filter. Full nameplate rating on 50 Hz rectified power, AC supply voltage must be same as 60 Hz supply.
103. Force vent with blower, full nameplate rating on 50 Hz rectified power. AC supply voltage must be same as 60 Hz supply, thermostats and tach provisions.
104. Force vent with blower, cannot run full nameplate on 50 Hz rectified power, thermostats and tach provisions.
105. Force vent with blower on drive end filter, thermostats and tach provisions.

BALDOR

A MEMBER OF THE ABB GROUP

Leading Provider of Energy Efficient Industrial Electric Motors



Drawings represent standard Large AC TEFC motors.

*Dimensions are for reference only.

*Contact your local Baldor Sales Office for "C" Dimensions.

Dimensions - N, O, P and AB are specific to Baldor.

LARGE AC QUICK REFERENCE CHART

FRAME	D	E	Dual Foot Mount Holes		H	N	O	P	U	V	AA	AB	BA	XBA
			2F	X2F										
L449TS L449T	11	9	32	25	13/16	4.84 8.56	24.49	28.32	2 3/8 3 3/8	4 3/4 8 3/8	4.60	26.86	7 1/2	-
5008S 5008L	12 1/2	10	25	22	15/16	6.77 10.75	26.75	32.38	2 3/8 4 1/8	6 10	-	29.64	-	15 1/2 19 1/2
5010S 5010L	12 1/2	10	32	28	15/16	6.77 10.75	26.75	32.38	2 3/8 4 1/8	6 10	-	29.64	-	15 1/2 19 1/2
5012L	12 1/2	10	40	36	15/16	10.75	26.75	32.38	4 1/8	10	-	29.64	-	19 1/2
5810S 5810L	14 1/2	11 1/2	36	32	1 7/8	7.26 13.94	32.32	36.42	2 3/8 4 1/8	6 1/2 13	-	31.12	-	17 23 11/16

The above chart provides typical Baldor•Reliance motor dimensions.

For more exact dimensional data, please check the specific drawing for each catalog number.

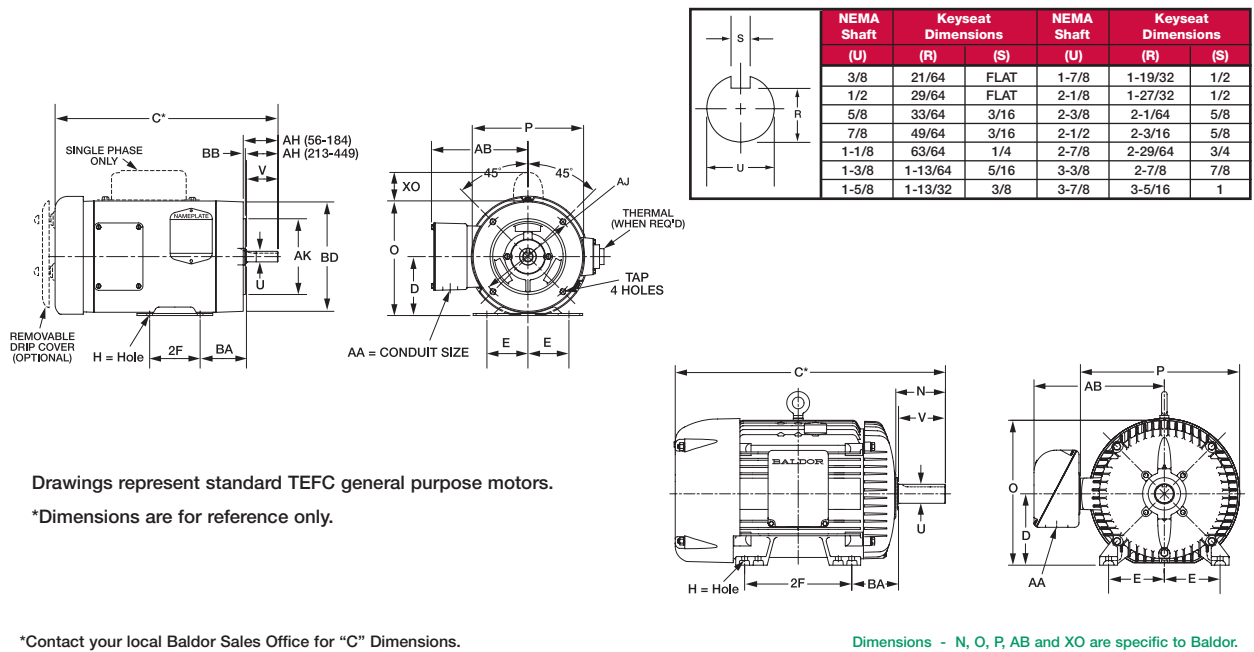
AA dimension shown in chart are Baldor typical values.

Customer to drill hole in terminal box for frames larger than 449.

Dimensions are in inches.

If mounting clearance details are required, consult factory.

BALDOR ELECTRIC COMPANY
P.O. BOX 2400
FORT SMITH, ARKANSAS
72902-2400 U.S.A.



NEMA Shaft (U)	Keyseat Dimensions		NEMA Shaft (U)	Keyseat Dimensions	
	(R)	(S)		(R)	(S)
3/8	21/64	FLAT	1-7/8	1-19/32	1/2
1/2	29/64	FLAT	2-1/8	1-27/32	1/2
5/8	33/64	3/16	2-3/8	2-1/64	5/8
7/8	49/64	3/16	2-1/2	2-3/16	5/8
1-1/8	63/64	1/4	2-7/8	2-29/64	3/4
1-3/8	1-13/64	5/16	3-3/8	2-7/8	7/8
1-5/8	1-13/32	3/8	3-7/8	3-5/16	1

*Contact your local Baldor Sales Office for "C" Dimensions.

NEMA QUICK REFERENCE CHART

NEMA FRAME	D	E	2F	H	N	O	P	U	V	AA	AB	AH	AJ	AK	BA	BB	BD	XO	TAP
42	2-5/8	1-3/4	1-11/16	9/32 SLOT	1-1/2	5	4-11/16	3/8	1-1/8	3/8	4-1/32	1-5/16	3-3/4	3	2-1/16	1/8	4-5/8	1-9/16	1/4-20
48	3	2-1/8	2-3/4	11/32 SLOT	1-7/8	5-7/8	5-11/16	1/2	1-1/2	1/2	4-3/8	1-11/16	3-3/4	3	2-1/2	1/8	5-5/8	2-1/4	1/4-20
56 56H	3-1/2	2-7/16	5	11/32 SLOT	2-7/16	6-7/8	6-5/8	5/8	1-7/8	1/2	5	2-1/16	5-7/8	4-1/2	2-3/4	1/8	6-1/2	2-1/4	3/8-16
143T 145T	3-1/2	2-3/4	4 5	11/32	2-1/2	6-7/8	6-5/8	7/8	2-1/4	3/4	5-1/4	2-1/8	5-7/8	4-1/2	2-1/4	1/8	6-1/2	2-1/4	3/8-16
182 184 182T 184T	4-1/2	3-3/4	4-1/2 5-1/2	13/32	2-11/16	8-11/16	7-7/8	7/8	2-1/4	3/4	5-7/8	2-1/8	5-7/8	4-1/2	2-3/4	1/8	6-1/2	2-3/8	3/8-16
213 215 213T 215T	5-1/4	4-1/4	5-1/2 7	13/32	3-1/2	10-1/4	9-9/16	1-1/8 3	2-1/4	1	7-3/8	2-3/4 3-1/8	7-1/4	8-1/2	3-1/2	1/4	9	2-3/4	1/2-13
254U 256U 254T 256T	6-1/4	5	8-1/4 10	17/32	4-1/16	12-7/8	12-15/16	1-3/8 4	2-1/4	1	9-5/8	3-1/2 3-3/4	7-1/4	8-1/2	4-1/4	1/4	10	-	1/2-13
284U 286U 284T 286T 284TS 286TS	7	5-1/2	9-1/2 11	17/32	5-1/8	14-5/8	14-5/8	1-5/8 4-7/8	2-1/4	1-1/2	13-1/8	4-5/8 4-3/8	9	10-1/2	4-3/4	1/4	11-1/4	-	1/2-13
324U 326U 324T 326T 324TS 326TS	8	6-1/4	10-1/2 12	21/32	5-7/8	16-1/2	16-1/2	1-7/8 5-5/8	2-1/4	2	14-1/8	5-3/8 5-3/8	11	12-1/2	5-1/4	1/4	13-3/8	-	5/8-11
364U 365U 364T 365T 364TS 365TS	9	7	11-1/4 12-1/4	21/32	6-3/4	18-1/2	19-1/2	2-1/8 6-3/8	2-1/4	3	18-1/16	6-1/8 6-1/8	11	12-1/2	5-7/8	1/4	13-3/8	-	5/8-11
404U 405U 404T 405T 404TS 405TS	10	8	12-1/4 13-3/4	13/16	7-3/16	21-5/16	22-1/2	2-3/8 7-1/8	2-1/4	3	19-1/4	6-7/8 6-7/8	11	12-1/2	6-5/8	1/4	13-7/8	-	5/8-11
444U 445U 444T 445T 447T 449T 444TS 445TS 447TS 449TS	11	9	14-1/2 16-1/2	13/16	8-5/8	24.24	27.57	2-7/8 8-5/8	2-1/4	3	22.68	8-3/8 8-3/8	14	16	7-1/2	1/4	16-3/4	-	5/8-11

The above chart provides typical Baldor•Reliance motor dimensions. For more exact dimensional data, please check the specific drawing for each catalog number. NEMA states only a minimum value for AA dimension. AA dimensions shown in chart are Baldor typical values meeting or exceeding NEMA. Please check motor drawing for actual dimensions.

NEMA C-Face	BA Dimensions
143-5TC	2-3/4
182-4TC	3-1/2
213-5TC	4-1/4
254-6TC	4-3/4

BALDOR ELECTRIC COMPANY
P.O. BOX 2400
FORT SMITH, ARKANSAS
72902-2400 U.S.A.

Frame	NEMA FRAMES PRIOR TO 1953							
	D	E	F	H	U	V	BA	BB
66	4-1/8	2-15/16	2-1/2	2-1/4	3/4	2-1/4	3-1/8	3-1/8
203	5	4	2-3/4	2-7/16	3/4	2	3-1/8	3-1/8
204			3-1/4					
224	5-1/2	4-1/2	3-3/8	3-1/4	1	3	3-1/2	3-1/2
225			3-3/4					
254	6-1/4	5	4-1/8	3-7/16	1-1/8	3-3/8	4-1/4	4-1/4
284	7	5-1/2	4-3/4	4-1/4	1-1/4	3-3/4	4-3/4	4-3/4
324	8	6-1/4	5-1/4	5-1/4	1-1/4	4-7/8	5-1/4	5-1/4
328			6					
364	9	7	5-5/8	5-5/8	1-7/8	5-3/8	5-7/8	5-7/8
365			6-1/8					
404	10	8	6-1/8	6-3/8	2-1/8	6-1/8	6-5/8	6-5/8
405			6-7/8					
444			7-1/4					
445	11	9	8-1/4	7-1/8	2-3/8	6-7/8	7-1/2	7-1/2
504			8					
505	12-1/2	10	8	8-5/8	2-7/8	8-3/8	8-1/2	8-1/2

Frame L449T is not included in this chart. Please refer to the Large AC motor chart, or to the specific motor drawings for L449T dimensions.