

HYDRAULIC MAGNAPLUS[®]

Generator Ratings:

kW 5 to 34 (60 Hz)

kVA 5 to 34 (50 Hz)



... adapted to direct couple
a hydraulic motor to a 280 MagnaPLUS[®]

Features:

- ATEX Zone 2 and CSA Class 1 Div 2 for hazardous locations
281-284 frame
- Ideal for oil, gas, and most harsh environment applications
- 0.88" & 1.25" Spline shafts for applications up to 34kW, grease zerk for spline lubrication

MARATHON ELECTRIC
GENERATORS

ISO 9001:2008 Certified

HYDRAULIC MAGNAPLUS®

For ATEX:

⊕ II 3 G Ex nA IIC T3

For CSA:

Class I, Div. 2, Groups A,B,C & D; Temperature Coded T3

kW Ratings **60 Hertz**
Three Phase,
12 Leads

1800 RPM
0.8 Power Factor
40°C Ambient

kW Ratings **60 Hertz**
Dedicated
Single Phase,
4 Leads

1800 RPM
120 Volt or 120/240 Volt
40°C Ambient

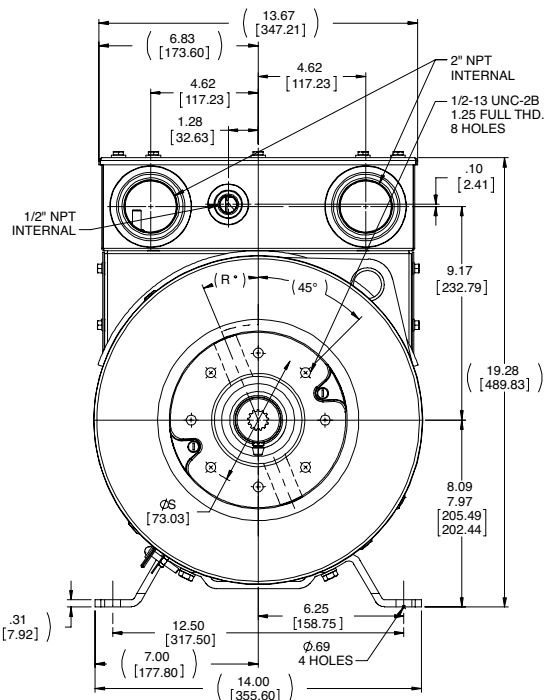
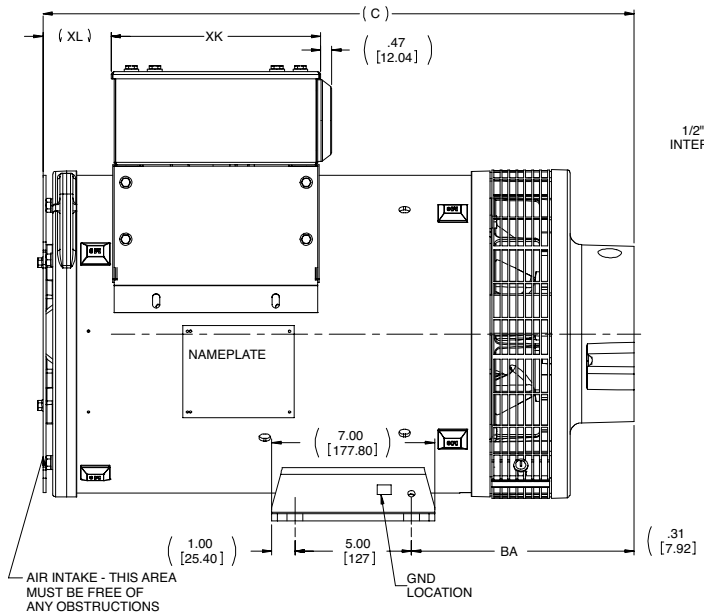
Base Model	kW Continuous Duty			
	Class B 80°C		Class F 105°C	
	480Y/240Y	416Y/208Y	480Y/240Y	416Y/208Y
282PDL1704	12.5	12.5	15	15
282PDL1705	17	17	20	20
283PDL1706	22	21	25	23
283PDL1707	25	24	30	28
284PDL1708	30	30	32	32
284PDL1742	32	32	34*	34*

NOTE: 12 lead generators can be reconnected for single phase service. Consult Marathon for ratings.

Base Model	kW Continuous Duty			
	Class B 80°C		Class F 105°C	
	0.8 P.F.	1.0 P.F.	0.8 P.F.	1.0 P.F.
282PDL1715	10	14	11	16
282PDL1716	12	17	14	19
283PDL1717	15	20	17	24
283PDL1718	17	25	20	28
284PDL1750	23	32	26	34*

* All models listed can be adapted to direct couple to a hydraulic motor, but can not be rated higher than 34 kW due to the limitations of the mechanical coupling.

FRAME	C	BA	XL	XK
281	18.44 [468.37]	9.57 [243.08]	3.14 [79.76]	6.86 [174.24]
282	21.13 [536.70]	9.57 [243.08]	3.05 [77.47]	8.93 [226.82]
283	23.13 [587.50]	9.57 [243.08]	3.05 [77.47]	8.93 [226.82]
284	25.38 [644.65]	9.57 [243.08]	3.05 [77.47]	8.93 [226.82]



100 E. Randolph Street • P.O. Box 8003
Wausau, WI 54402-8003 USA

www.marathonelectric.com

Phone: 715-675-3359
Fax: 715-675-8026

GPN050 REV 03/2012 7185J/500/2-12/SK/RG

