

# MAC Pulse Valve PV06 Series **MAC**<sup>®</sup>

The MAC Pulse Valve series is designed to be a direct drop-in replacement for existing pulse technology. The MAC solution utilizes a long life, bonded-spool design, instead of the traditional diaphragm style. MAC also uses a balanced pilot valve that isolates the solenoid from airline contamination. Available with integral solenoid pilot as well as bleed pilot configurations.

## Direct Drop-In

The MAC Pulse Valve is available with various adapter options. These adapter options allow the MAC valve to directly replace the diaphragm technology with our bonded spool technology without disturbing plumbing. The MAC bleed configuration works with existing remotely located solenoids.

## Harsh Environment Compatible

An aluminum die-cast body, nitrile seals and an environmentally protected solenoid are standard features. Viton<sup>®</sup> seals are also available for extreme temperature environments and chemical resistance.

## Maintenance

Lower cost of ownership through reduction in downtime due to high reliability. When necessary, maintenance is simplified with available spool kits.



## Base Adapters\*

M-PV006-01 - 1 1/2" Goyen<sup>™</sup> Adapter  
M-PV007-01 - 1 1/2" ASCO<sup>®</sup> Adapter  
M-PV008-01 - 1 1/2" Norgren<sup>®</sup> Adapter  
M-PV010-01 - 1 1/2" Turbo<sup>™</sup> D-Series Adapter  
M-PV011-01 - 1 1/2" Turbo<sup>™</sup> F-Series Adapter

\* Additional configurations available upon request

## Spool Kits

### Kit

Nitrile K-PV002

Viton<sup>®</sup> K-PV002-05

## Product Characteristics and Performance

Flow	Temp. Range Nitrile	Temp Range Viton	Pressure Range
53.2 Cv	0°F - 140°F -18°C - 60°C	-20°F - 230°F -29°C - 110°C	30 - 120 PSI 2.07 - 8.27 bar

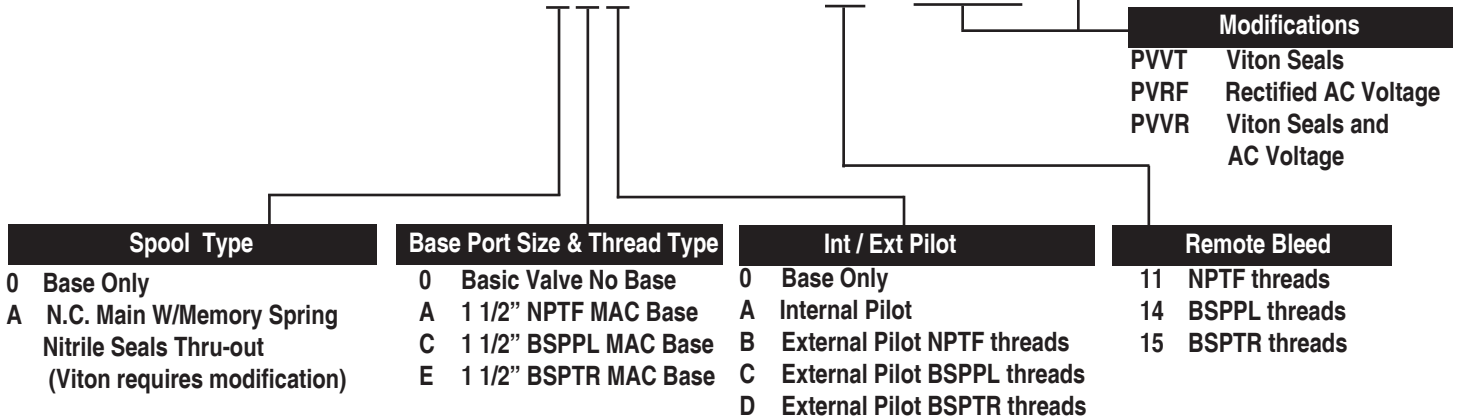
# MAC Pulse Valve PV06 Series



## Configuration Options

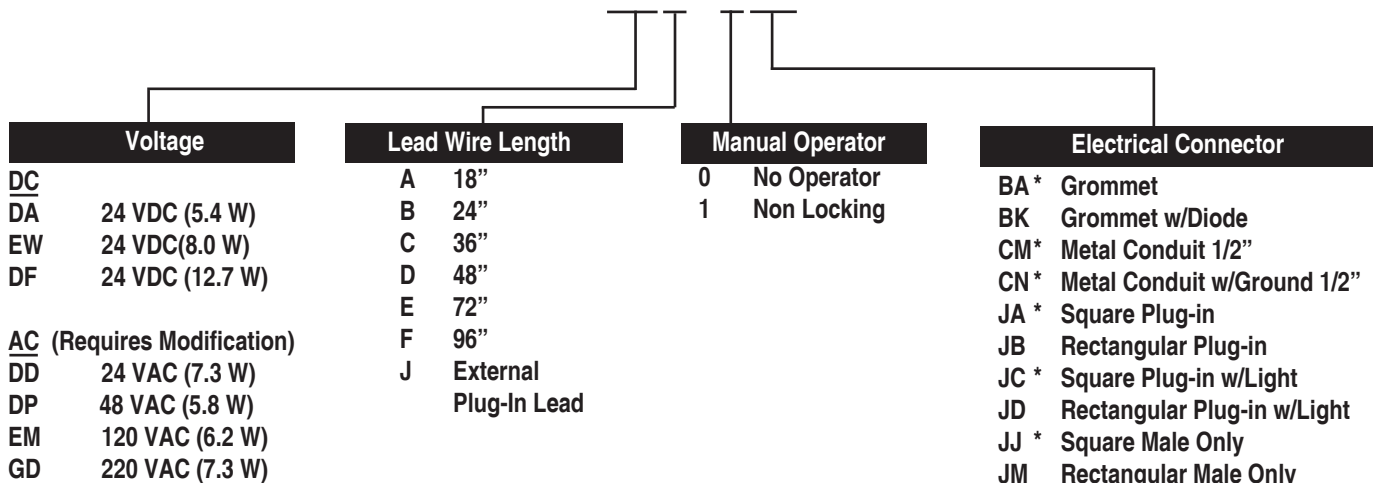
Integral Pilot PV06A - XXX - 46L - DXXX - XXX = XXXX

Remote Bleed PV06A - XXX - 46L - RBXX = XXXX



## Solenoid Valve Options

46L - DXXX - XXX



### Pilot Only Options - Bodies and Assemblies

- 46LA-LR0-RBXX=XXXX (bleed pilot valve)  
See options above and modifications below
- 46LA-LP0-DXXX-XXX=XXXX (solenoid operated pilot valve)  
See options above and modifications below

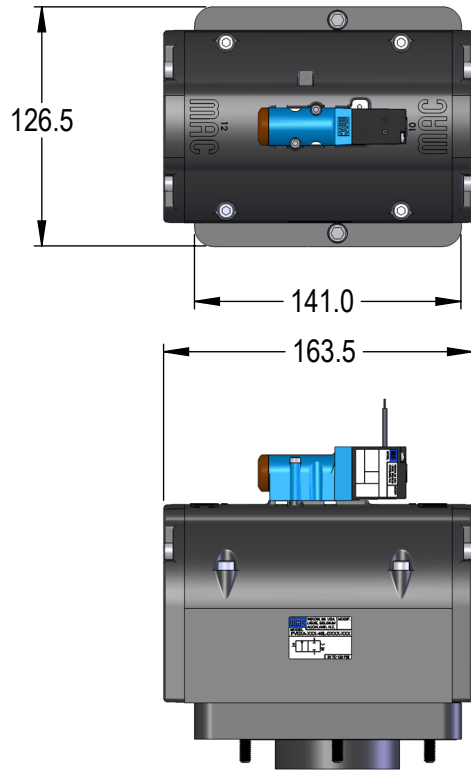
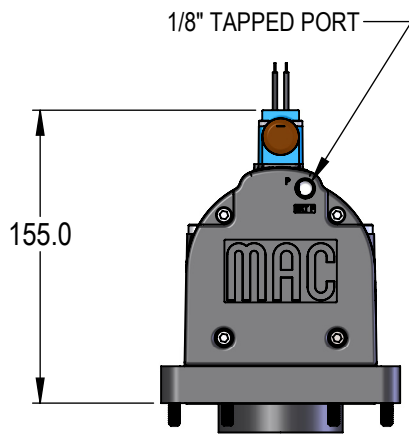
### Modifications

- PVVT Viton Seals
- PVRF AC Voltage - Rectified
- PVVR Viton Seals and AC Voltage - Rectified

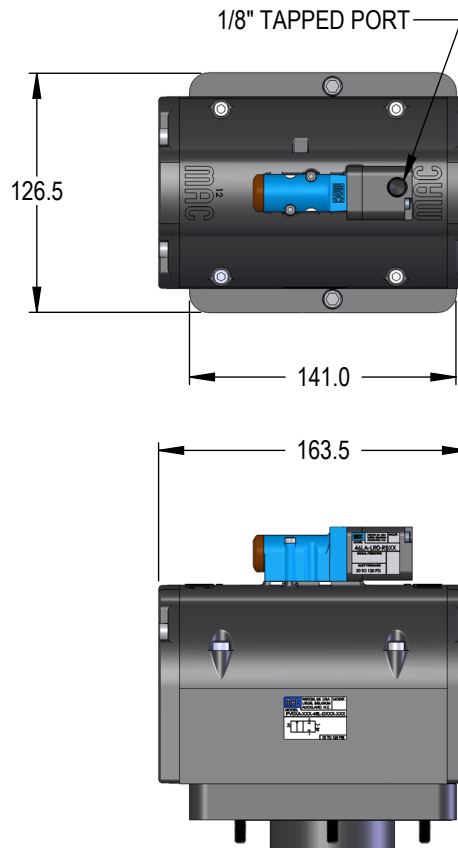
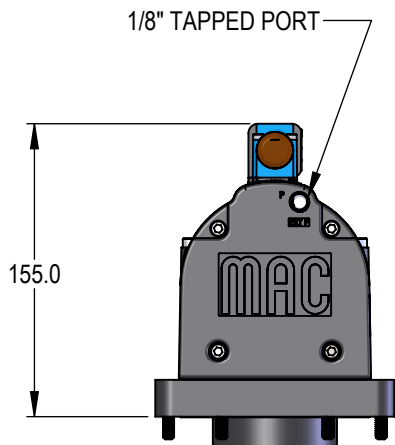
\* (Connectors available with AC voltage-requires modification)

# MAC Pulse Valve PV06 Series **MAC**<sup>®</sup>

PV06 with Solenoid Pilot on  
M-PV006-01 Adapter

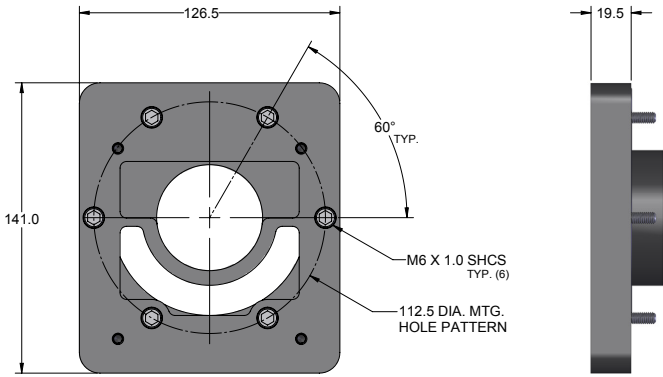


PV06 with Remote Bleed Pilot on  
M-PV006-01 Adapter

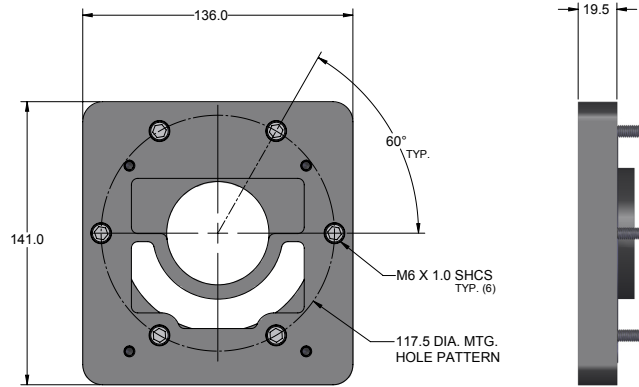


# MAC Pulse Valve PV06 Series **MAC**<sup>®</sup>

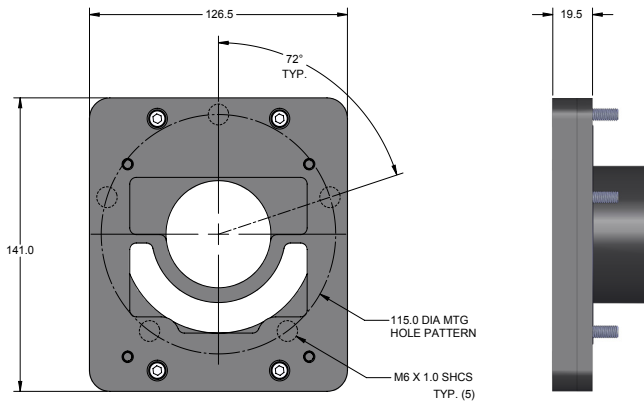
**M-PV006-01**  
 1 1/2" Goyen™ Adapter  
 Tested on 35T, 45T, and 45DD Bases



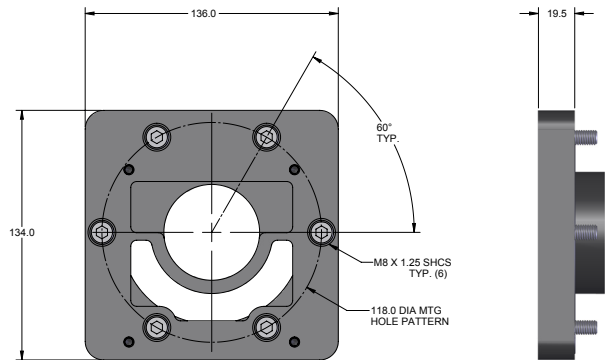
**M-PV007-01**  
 1 1/2" Asco® Adapter  
 Tested on J039 Base



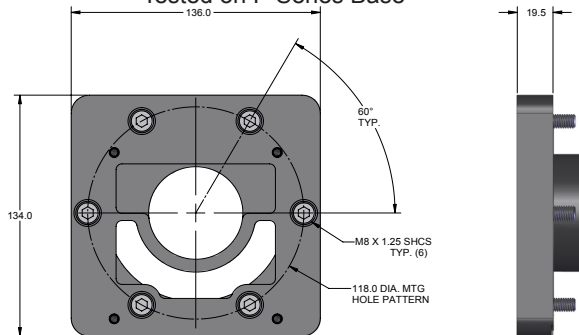
**M-PV008-01**  
 1 1/2" Norgren® Adapter  
 Tested on 82960 Base



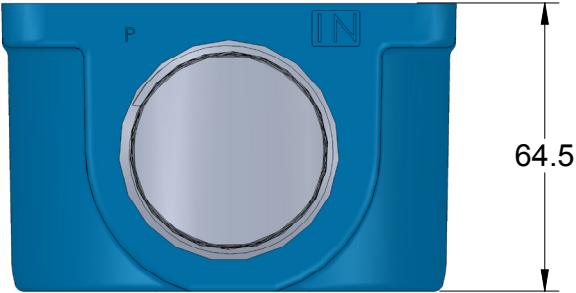
**M-PV010-01**  
 1 1/2" Turbo™ D-Series Adapter  
 Tested on D-Series Base



**M-PV011-01**  
 1 1/2" Turbo™ F-Series Adapter  
 Tested on F-Series Base



# MAC Pulse Valve PV06 Series



MAC 1 1/2" Base

