

MAC

V A L V E S

DUST COLLECTION SOLUTIONS



MAC[®] PULSE VALVES



MAC Design Advantage

- High Flow / Long Life / Low Leak / Balanced Spool Design
- Drop-in Mounting - Without Disturbing Existing Piping
- Fast/Repeatable Response Times for Quick and Accurate Purges
- Optimized for Reliable Performance in Harsh Environmental Conditions
- Bonded Spool Technology - Self Cleaning Bore

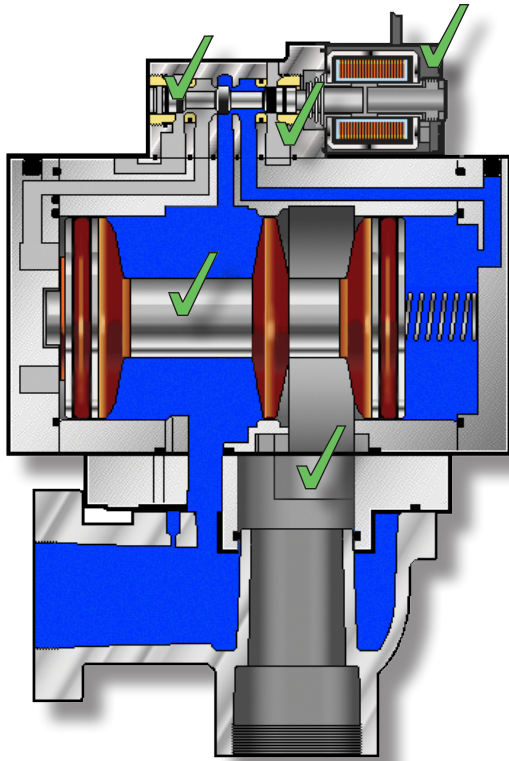
Industry Specific Features

- Wide Range of Seals (Nitrile, Viton[®] and Proprietary Compounds)
- Environmentally Sealed for Wash Down Environments
- Remote Bleed and Integral Solenoid Pilot Available (AC & DC Voltage)



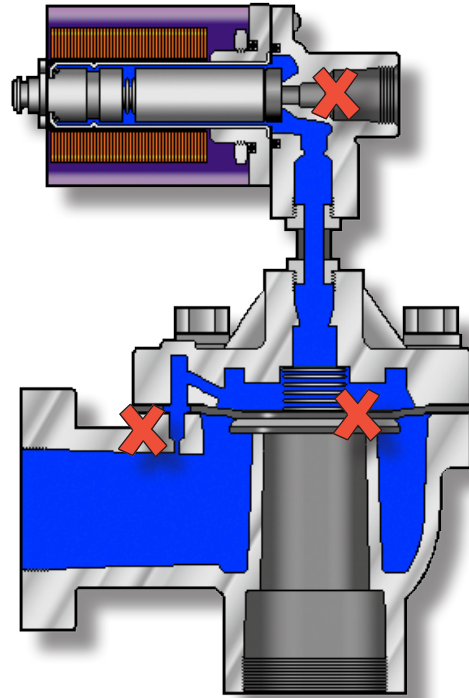
Valves That Don't StickSM

MAC Advantages



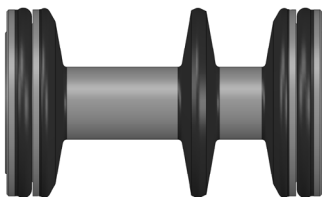
- ✓ **D-Seal Technology Isolates Solenoid**
- Longer Life -
- ✓ **4 Way Pilot**
- Maximized Shifting Forces-
- ✓ **Lifting Solenoid**
- Consistent Response -
- ✓ **Dynamic Bonded Rubber Spool**
- Balanced-
- Wiping Action-
- ✓ **Adapter Plate**
- Drop-in Replacement to Existing Base-

Competition Design



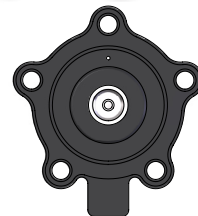
- ✗ **Contaminated Air Passes Through Unbalanced Solenoid**
- Sticking & Burnout -
- ✗ **Small Fixed Orifice**
- Blocked By Contaminants -
- ✗ **Diaphragm Ruptures**
- Air Leaks -

MAC Spool Design



✓ **Bonded Spool = Longer Life**
Wiping Action = Self Cleaning
Balanced Design = Repeatable Purges
Precision Ground Spool = Air Savings

Diaphragm Design



✗ **Ruptured Diaphragms = Short Life**
Frequent Routine Maintenance = High Cost of Ownership
Unbalanced Diaphragm = Inconsistent Pulses
Cracking and Leaking = Wasted Air