

**R** RENOWNED  
KNOW-HOW



**RK ROSE+KRIEGER**

A Phoenix Mecano Company

Selection guide

# *Profile Technology* **BLOCAN®**



# Profile combinations

What matters is not only the profile, it is also the connection between the profiles. Years of application experience have resulted in an industrial aluminium profile system which can meet almost any requirements. Unlimited creativity combined with the highest levels of flexibility and proven reliability offers you multiple possible solutions to your requirements.

Benefit from all the advantages, especially connection without machining being required. The success of a system is the sum of its parts, based on strong individual parts.

In order for you to preselect the most suitable range quick and easy, we have developed a system which is strictly application orientated. You can determine the most suitable size and design based on your performance requirements within the range.

We are always here, of course, to assist you personally with your selection.

**Save the drilling...**



**...there's no need for!**



## The three steps to your product recommendation

### Step 1: The application always takes centre stage



- Stable versatile structures
- Additional visual and functional benefit
- Heavy duty with highest stability

### Step 2: Which dimension do you need?



- Stability
- Section modulus
- Mass optimization

### Step 3: Which function do you need?

- Configuration (square, rectangular, rounded, angular)
- Number of slots
- Easy assembling
- Additional functions: visible design or frame profiles

**...follow our system and the terms are self explanatory.**

# The RK Profile Circle



Stable versatile structures

## Features:

- ✓ Fixing slots on all sides
- ✓ Unlimited applications
- ✓ Minimized design effort
- ✓ Cost optimisation



**Structural  
Profiles**

continue on page 6

**Your appli  
takes centr**



## Functional Profiles

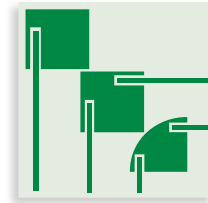
continue on page 8



Additional visual and functional benefit

**Features:**

- ✓ Attractive design
- ✓ Many additional functions
- ✓ Flexible



ation  
e stage

## Heavy Duty Profiles

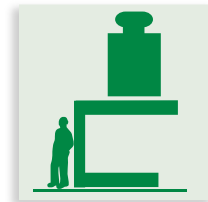
continue on page 10



Heavy duty with highest stability

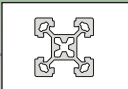
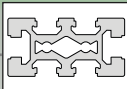
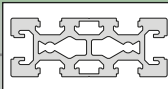
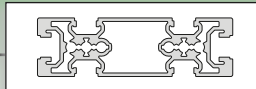
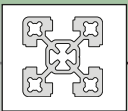
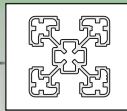
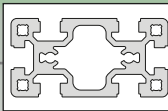
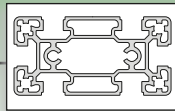
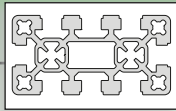
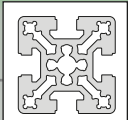
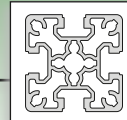
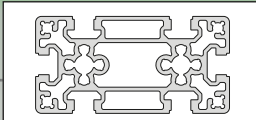
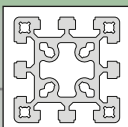
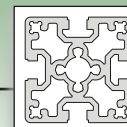
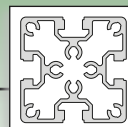
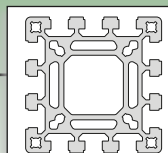
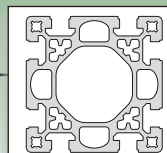
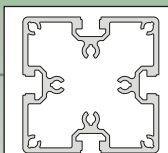
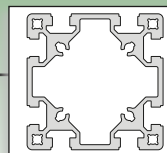
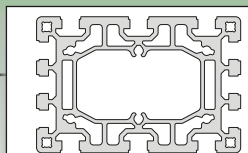
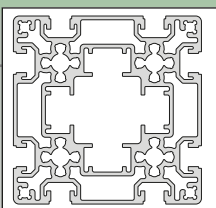
**Features:**

- ✓ High dynamic
- ✓ Large structures
- ✓ Easy transportable

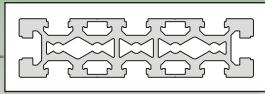


# Structural Profiles Stable versatile structures

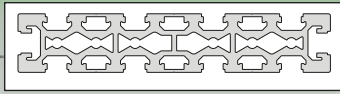


<b>Size 30</b>	 <p><b>F-30x30</b> W<sub>x</sub>= 2,2 cm<sup>3</sup> W<sub>y</sub>= 2,2 cm<sup>3</sup></p>	 <p><b>F-30x60</b> W<sub>x</sub>= 5,3 cm<sup>3</sup> W<sub>y</sub>= 9,9 cm<sup>3</sup></p>	 <p><b>F-30x80</b> W<sub>x</sub>= 7,0 cm<sup>3</sup> W<sub>y</sub>= 16,9 cm<sup>3</sup></p>	 <p><b>F-30x100</b> W<sub>x</sub>= 6,5 cm<sup>3</sup> W<sub>y</sub>= 20,0 cm<sup>3</sup></p>	
<b>Size 40</b>	 <p><b>F-40x40</b> W<sub>x</sub>= 5,5 cm<sup>3</sup> W<sub>y</sub>= 5,5 cm<sup>3</sup></p>	 <p><b>F-40x40-L</b> W<sub>x</sub>= 3,6 cm<sup>3</sup> W<sub>y</sub>= 3,6 cm<sup>3</sup></p>	 <p><b>F-40x80</b> W<sub>x</sub>= 11,3 cm<sup>3</sup> W<sub>y</sub>= 22,2 cm<sup>3</sup></p>	 <p><b>F-40x80-L</b> W<sub>x</sub>= 7,4 cm<sup>3</sup> W<sub>y</sub>= 15,7 cm<sup>3</sup></p>	 <p><b>F-40x80/3</b> W<sub>x</sub>= 10,0 cm<sup>3</sup> W<sub>y</sub>= 19,7 cm<sup>3</sup></p>
<b>Size 50</b>	 <p><b>F-50x50</b> W<sub>x</sub>= 11,6 cm<sup>3</sup> W<sub>y</sub>= 11,6 cm<sup>3</sup></p>	 <p><b>F-50x50-L</b> W<sub>x</sub>= 9,0 cm<sup>3</sup> W<sub>y</sub>= 9,0 cm<sup>3</sup></p>	 <p><b>F-50x100</b> W<sub>x</sub>= 17,6 cm<sup>3</sup> W<sub>y</sub>= 36,1 cm<sup>3</sup></p>		
<b>Size 60</b>	 <p><b>F-60x60</b> W<sub>x</sub>= 17,1 cm<sup>3</sup> W<sub>y</sub>= 17,1 cm<sup>3</sup></p>	 <p><b>F-60x60/1</b> W<sub>x</sub>= 18,1 cm<sup>3</sup> W<sub>y</sub>= 18,1 cm<sup>3</sup></p>	 <p><b>F-60x60-L</b> W<sub>x</sub>= 14,1 cm<sup>3</sup> W<sub>y</sub>= 14,2 cm<sup>3</sup></p>		
<b>Size 80</b>	 <p><b>F-80x80</b> W<sub>x</sub>= 38,8 cm<sup>3</sup> W<sub>y</sub>= 38,8 cm<sup>3</sup></p>	 <p><b>F-80x80/2</b> W<sub>x</sub>= 38,4 cm<sup>3</sup> W<sub>y</sub>= 38,4 cm<sup>3</sup></p>	 <p><b>F-80x80-L</b> W<sub>x</sub>= 28,8 cm<sup>3</sup> W<sub>y</sub>= 28,8 cm<sup>3</sup></p>	 <p><b>F-80x80/2-L</b> W<sub>x</sub>= 36,1 cm<sup>3</sup> W<sub>y</sub>= 36,1 cm<sup>3</sup></p>	 <p><b>F-80x120</b> W<sub>x</sub>= 60,6 cm<sup>3</sup> W<sub>y</sub>= 83,5 cm<sup>3</sup></p>
<b>Size 100/120</b>	 <p><b>F-100x100</b> W<sub>x</sub>= 60,8 cm<sup>3</sup> W<sub>y</sub>= 60,8 cm<sup>3</sup></p>				

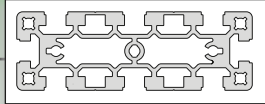
## Structural profiles



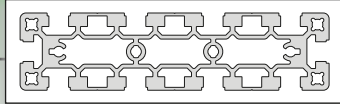
**F-30x120**  
 $W_x = 10,2 \text{ cm}^3$   
 $W_y = 36,6 \text{ cm}^3$



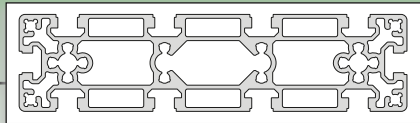
**F-30x160**  
 $W_x = 13,3 \text{ cm}^3$   
 $W_y = 64,1 \text{ cm}^3$



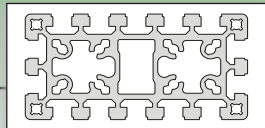
**F-40x120**  
 $W_x = 14,7 \text{ cm}^3$   
 $W_y = 42,2 \text{ cm}^3$



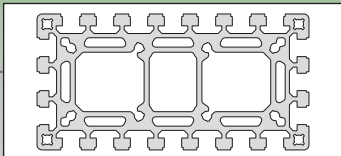
**F-40x160**  
 $W_x = 19,9 \text{ cm}^3$   
 $W_y = 72,4 \text{ cm}^3$



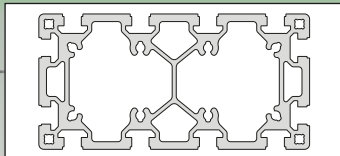
**F-50x200**  
 $W_x = 32,1 \text{ cm}^3$   
 $W_y = 122,4 \text{ cm}^3$



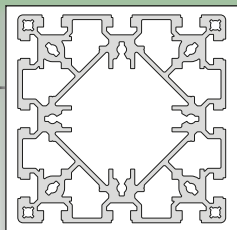
**F-60x120**  
 $W_x = 31,5 \text{ cm}^3$   
 $W_y = 62,0 \text{ cm}^3$



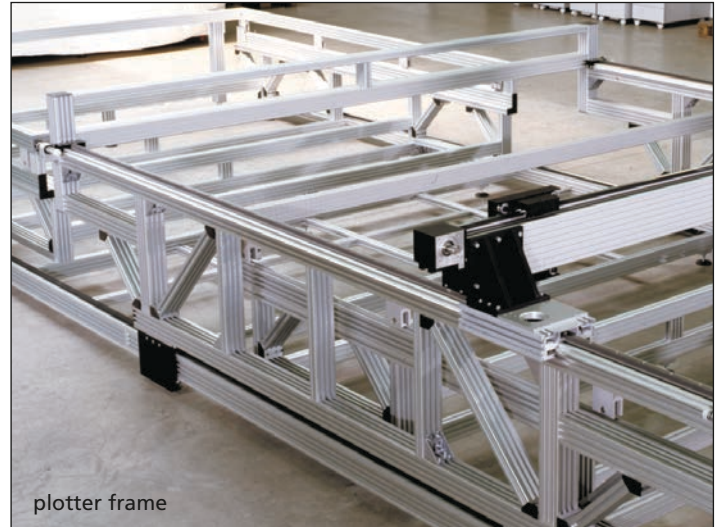
**F-80x160**  
 $W_x = 77,4 \text{ cm}^3$   
 $W_y = 140,9 \text{ cm}^3$



**F-80x160-L**  
 $W_x = 72,8 \text{ cm}^3$   
 $W_y = 128,1 \text{ cm}^3$



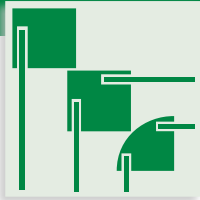
**F-120x120**  
 $W_x = 110,8 \text{ cm}^3$   
 $W_y = 110,8 \text{ cm}^3$



For detailed information, sizing and accessories, please have a look in our main catalogue Profile Technology BLOCAN®

# Functional Profiles

Additional visual and functional benefit



## Visible design profiles

Size 30



**F-G 30x30**  
 $W_x = 2,1 \text{ cm}^3$   
 $W_y = 2,1 \text{ cm}^3$



**F-GG 30x30**  
 $W_x = 2,1 \text{ cm}^3$   
 $W_y = 2,1 \text{ cm}^3$



**F-2G 30x30**  
 $W_x = 2,2 \text{ cm}^3$   
 $W_y = 2,4 \text{ cm}^3$



**F-3G 30x30**  
 $W_x = 2,2 \text{ cm}^3$   
 $W_y = 2,4 \text{ cm}^3$



**W 30-30**  
 $W_x = 1,5 \text{ cm}^3$   
 $W_y = 1,8 \text{ cm}^3$



**W 30-45**  
 $W_x = 1,4 \text{ cm}^3$   
 $W_y = 1,7 \text{ cm}^3$



**W 30-60**  
 $W_x = 1,8 \text{ cm}^3$   
 $W_y = 1,9 \text{ cm}^3$

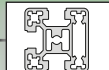


**W 30-90**  
 $W_x = 2,9 \text{ cm}^3$   
 $W_y = 2,9 \text{ cm}^3$



**F-R 30**  
 $W_x = 1,2 \text{ cm}^3$   
 $W_y = 1,2 \text{ cm}^3$

Size 40



**F-G 40x40**  
 $W_x = 4,8 \text{ cm}^3$   
 $W_y = 4,9 \text{ cm}^3$



**F-GG 40x40**  
 $W_x = 4,8 \text{ cm}^3$   
 $W_y = 4,8 \text{ cm}^3$



**F-2G 40x40**  
 $W_x = 4,6 \text{ cm}^3$   
 $W_y = 4,7 \text{ cm}^3$



**F-3G 40x40**  
 $W_x = 4,8 \text{ cm}^3$   
 $W_y = 4,9 \text{ cm}^3$



**F-G 40x80**  
 $W_x = 10,4 \text{ cm}^3$   
 $W_y = 20,6 \text{ cm}^3$



**F-GG 40x80**  
 $W_x = 10,7 \text{ cm}^3$   
 $W_y = 22,0 \text{ cm}^3$



**G-40x40**  
 $W_x = 5,2 \text{ cm}^3$   
 $W_y = 5,2 \text{ cm}^3$



**G-40x80**  
 $W_x = 9,3 \text{ cm}^3$   
 $W_y = 19,6 \text{ cm}^3$



**W 40-30**  
 $W_x = 3,7 \text{ cm}^3$   
 $W_y = 4,2 \text{ cm}^3$



**W 40-45**  
 $W_x = 3,4 \text{ cm}^3$   
 $W_y = 4,2 \text{ cm}^3$



**W 40-60**  
 $W_x = 4,2 \text{ cm}^3$   
 $W_y = 4,6 \text{ cm}^3$



**W 40-90**  
 $W_x = 7,4 \text{ cm}^3$   
 $W_y = 7,4 \text{ cm}^3$

Size 50



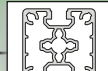
**F-G 50x50**  
 $W_x = 8,6 \text{ cm}^3$   
 $W_y = 8,9 \text{ cm}^3$



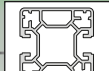
**F-GG 50x50**  
 $W_x = 8,4 \text{ cm}^3$   
 $W_y = 8,7 \text{ cm}^3$



**F-2G 50x50**  
 $W_x = 8,3 \text{ cm}^3$   
 $W_y = 8,7 \text{ cm}^3$



**F-3G 50x50**  
 $W_x = 9,0 \text{ cm}^3$   
 $W_y = 9,1 \text{ cm}^3$



**SP-50x50**  
 $W_x = 8,2 \text{ cm}^3$   
 $W_y = 8,3 \text{ cm}^3$

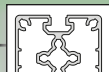
Size 60



**F-G 60x60**  
 $W_x = 12,6 \text{ cm}^3$   
 $W_y = 12,7 \text{ cm}^3$



**F-GG 60x60**  
 $W_x = 12,5 \text{ cm}^3$   
 $W_y = 12,8 \text{ cm}^3$

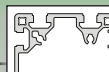


**F-2G 60x60**  
 $W_x = 12,1 \text{ cm}^3$   
 $W_y = 13,0 \text{ cm}^3$

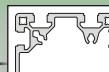


**F-3G 60x60**  
 $W_x = 11,9 \text{ cm}^3$   
 $W_y = 13,7 \text{ cm}^3$

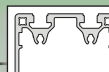
Size 80



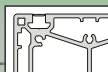
**F-G 80x80**  
 $W_x = 34,8 \text{ cm}^3$   
 $W_y = 33,0 \text{ cm}^3$



**F-GG 80x80**  
 $W_x = 34,1 \text{ cm}^3$   
 $W_y = 34,1 \text{ cm}^3$



**F-2G 80x80**  
 $W_x = 33,3 \text{ cm}^3$   
 $W_y = 35,0 \text{ cm}^3$








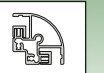

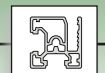


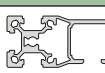

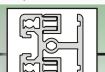

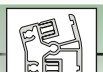




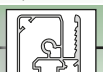




**F-3G 80x120A**  
 $W_x = 52,8 \text{ cm}^3$   
 $W_y = 77,9 \text{ cm}^3$


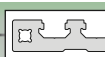
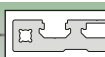


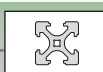
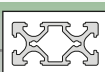




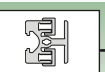
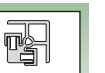
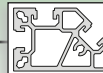
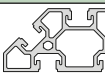
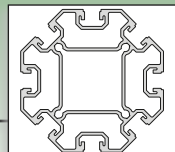




## Frame profiles

Size 30	 <b>KL-30x30-2</b> $W_i = 1,5 \text{ cm}^2$ $W_f = 1,8 \text{ cm}^2$	 <b>KLD-30x30</b> $W_i = 1,8 \text{ cm}^3$ $W_f = 2,2 \text{ cm}^3$	 <b>KLE-30x30</b> $W_i = 2,0 \text{ cm}^3$ $W_f = 2,0 \text{ cm}^3$	 <b>KLW 30x15</b> $W_i = 1,4 \text{ cm}^3$ $W_f = 1,9 \text{ cm}^3$	 <b>KLW 30x30</b> $W_i = 3,1 \text{ cm}^3$ $W_f = 4,4 \text{ cm}^3$	 <b>KLW 30x45</b> $W_i = 1,2 \text{ cm}^2$ $W_f = 1,8 \text{ cm}^2$	 <b>KLW 30x60</b> $W_i = 1,7 \text{ cm}^3$ $W_f = 1,5 \text{ cm}^3$	 <b>KLW 30x90</b> $W_i = 2,7 \text{ cm}^3$ $W_f = 4,1 \text{ cm}^3$
	 <b>ESP 30</b> $W_i = 1,4 \text{ cm}^3$ $W_f = 1,8 \text{ cm}^2$	 <b>ESP 30/2</b> $W_i = 1,5 \text{ cm}^3$ $W_f = 1,8 \text{ cm}^3$	 <b>ESP 30/2 (40)</b> $W_i = 1,5 \text{ cm}^3$ $W_f = 1,9 \text{ cm}^3$	 <b>ESPD 30x40 (40)</b> $W_i = 1,9 \text{ cm}^3$ $W_f = 3,5 \text{ cm}^3$	 <b>STP 30</b> $W_i = 6,1 \text{ cm}^2$ $W_f = 3,7 \text{ cm}^2$			
Size 40	 <b>KL-40x40-2</b> $W_i = 3,5 \text{ cm}^3$ $W_f = 4,1 \text{ cm}^3$	 <b>KLD-40x40</b> $W_i = 4,1 \text{ cm}^3$ $W_f = 5,5 \text{ cm}^3$	 <b>KLE-40x40</b> $W_i = 4,6 \text{ cm}^3$ $W_f = 4,6 \text{ cm}^3$	 <b>KLW 40x15</b> $W_i = 1,1 \text{ cm}^3$ $W_f = 1,7 \text{ cm}^3$	 <b>KLW 40x30</b> $W_i = 2,6 \text{ cm}^3$ $W_f = 3,9 \text{ cm}^3$	 <b>KLW 40x45</b> $W_i = 2,4 \text{ cm}^3$ $W_f = 2,4 \text{ cm}^3$	 <b>KLW 40x60</b> $W_i = 3,8 \text{ cm}^3$ $W_f = 3,3 \text{ cm}^3$	 <b>KLW 40x90</b> $W_i = 5,8 \text{ cm}^3$ $W_f = 5,8 \text{ cm}^3$
	 <b>ESP 40</b> $W_i = 2,7 \text{ cm}^3$ $W_f = 3,5 \text{ cm}^3$	 <b>ESP 40/2</b> $W_i = 3,0 \text{ cm}^3$ $W_f = 3,6 \text{ cm}^3$	 <b>STP 40</b> $W_i = 9,7 \text{ cm}^2$ $W_f = 6,1 \text{ cm}^2$					

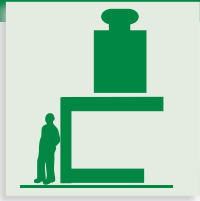
## Special profiles

Size 15	 <b>15x40</b> $W_i = 1,3 \text{ cm}^3$ $W_f = 3,3 \text{ cm}^3$	 <b>15x60</b> $W_i = 1,9 \text{ cm}^3$ $W_f = 7,0 \text{ cm}^3$	 <b>15x80</b> $W_i = 2,5 \text{ cm}^3$ $W_f = 11,9 \text{ cm}^3$	 <b>15x120</b> $W_i = 3,6 \text{ cm}^3$ $W_f = 25,8 \text{ cm}^3$	 <b>15x160</b> $W_i = 4,8 \text{ cm}^3$ $W_f = 44,9 \text{ cm}^3$			
Size 20	 <b>F-20x20</b> $W_i = 0,8 \text{ cm}^3$ $W_f = 0,8 \text{ cm}^3$	 <b>F-20x40</b> $W_i = 1,3 \text{ cm}^3$ $W_f = 2,7 \text{ cm}^3$	 <b>F-R 20</b> $W_i = 0,6 \text{ cm}^3$ $W_f = 0,5 \text{ cm}^3$	 <b>F-G 20x20</b> $W_i = 0,8 \text{ cm}^3$ $W_f = 0,7 \text{ cm}^3$	 <b>F-GG 20x20</b> $W_i = 0,7 \text{ cm}^3$ $W_f = 0,7 \text{ cm}^3$	 <b>KL 20x20</b> $W_i = 0,8 \text{ cm}^3$ $W_f = 0,8 \text{ cm}^3$	 <b>KLD 20x40</b> $W_i = 0,7 \text{ cm}^3$ $W_f = 0,8 \text{ cm}^3$	 <b>KLE 20x20</b> $W_i = 0,6 \text{ cm}^3$ $W_f = 0,7 \text{ cm}^3$
Size 40	 <b>2x40</b> $W_i = 7,9 \text{ cm}^3$ $W_f = 11,3 \text{ cm}^3$	 <b>3x40</b> $W_i = 8,8 \text{ cm}^3$ $W_f = 14,1 \text{ cm}^3$	 <b>8x40</b> $W_i = 27,6 \text{ cm}^3$ $W_f = 27,6 \text{ cm}^3$					

For detailed information, sizing and accessories, please have a look in our main catalogue Profile Technology BLOCAN®

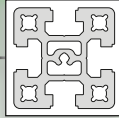
# Heavy Duty Profiles

Heavy duty with highest stability



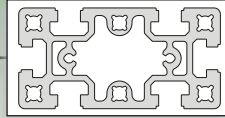
## Heavy duty profiles

Size 80



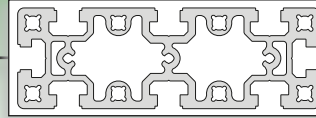
**D-80x80**

$W_x = 49,6 \text{ cm}^3$   
 $W_y = 49,8 \text{ cm}^3$



**D-80x160**

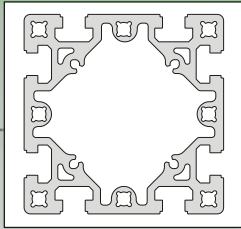
$W_x = 91,6 \text{ cm}^3$   
 $W_y = 174,6 \text{ cm}^3$



**D-80x240**

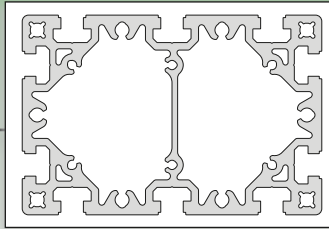
$W_x = 135,2 \text{ cm}^3$   
 $W_y = 355,7 \text{ cm}^3$

Size 160



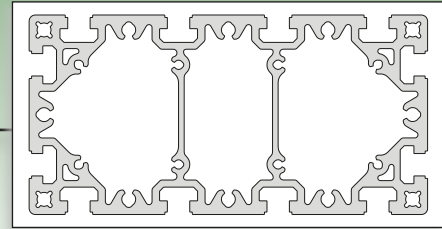
**D-160x160**

$W_x = 311,7 \text{ cm}^3$   
 $W_y = 311,7 \text{ cm}^3$



**D-160x240**

$W_x = 450,2 \text{ cm}^3$   
 $W_y = 611,1 \text{ cm}^3$



**D-160x320**

$W_x = 582,0 \text{ cm}^3$   
 $W_y = 976,1 \text{ cm}^3$



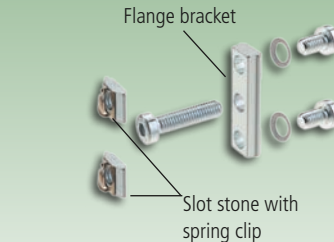
# Profile connection types

Over the years RK Rose+Krieger has developed a number of profile variants. Corresponding connection types are available according to the type of profile and application.

## Flange bracket for structural / functional profiles

### Features:

- ✓ Machining of profiles is not necessary
  - no additional costs, no shavings
- ✓ Supplementary moving,
  - displacement of mounting position is possible
  - adjustable during assembly
- ✓ Minimum preparation effort
  - order and install
- ✓ Compatible with other RK Products



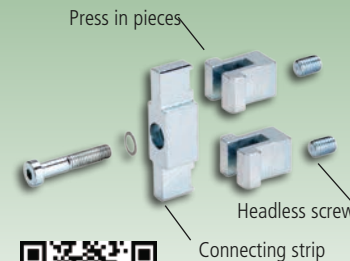
(Video)



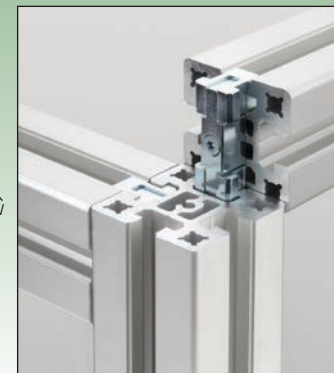
## Press mount connector for heavy duty profiles

### Features:

- ✓ Economical connecting types
  - low installation costs
- ✓ Additional machining of profile is not necessary
- ✓ Dynamic, highly loadable screw connection
  - releasable at any time



(Video)



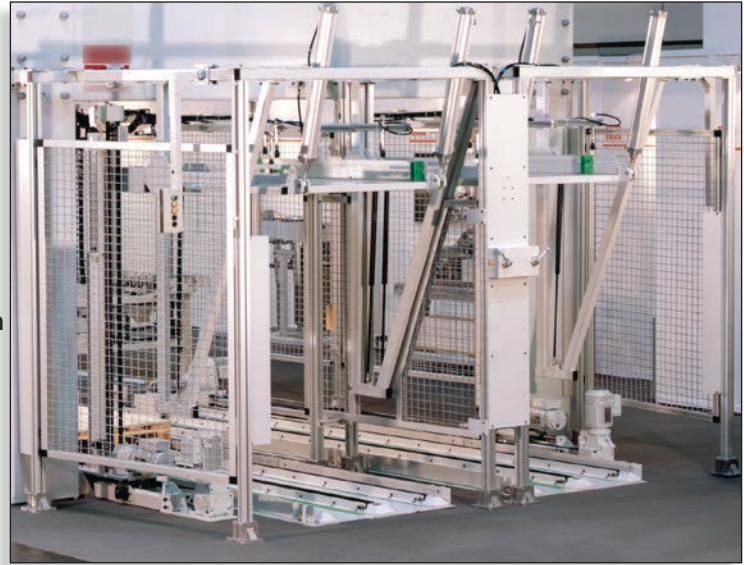
## Corner joint and special joint for functional profiles

For detailed information, sizing and accessories, please have a look in our main catalogue Profile Technology BLOCAN®

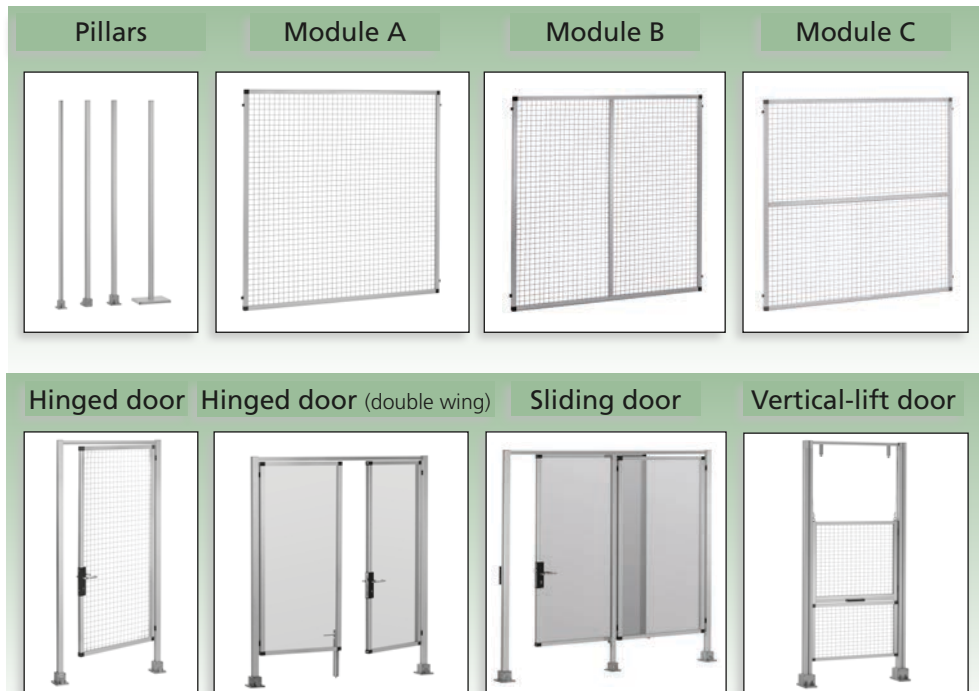
# Protection and partitioning system

## Features:

- ✓ Sturdy protection system in aluminium design
- ✓ Minimum of designing efforts thanks to standard modules
- ✓ Assembly with no need for machining
- ✓ clamping profiles can receive the most different surface elements
- ✓ Smooth, easy-care outer surface, attractive design
- ✓ Extensive accessory programme
- ✓ Conform to the new European Machinery Directive 2006/42/EC

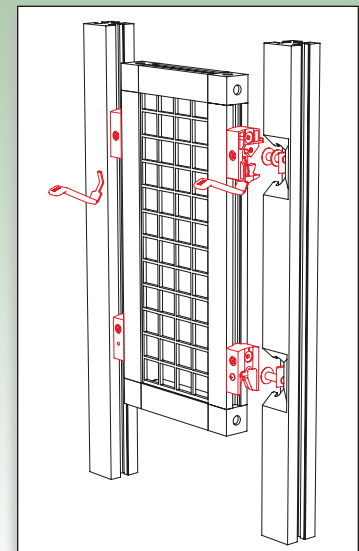


## Pattern overview elements



## Click & Safe

... the fast and easy way to achieve safety garding



# RK Easywork Assembly Workstation-Systems

With the RK Easywork selection tool, a complete assembly work table can be configured online to meet ergonomic and task-specific requirements. Step by step, the selection tool guides you through all of the options on the way to creating your ideal workstation. Additional lighting, holders for grab containers, foot rests, standing chairs and ESD accessories are all available, along with other useful devices.

The RK Easywork workstation system is based on RK Rose+Krieger's complete modular system.

BLOCAN® construction profiles made from aluminium and the electrically driven lifting columns offer a perfect combination for the creation of high-quality table concepts. Customers can choose between the simplest static tables or electrically height-adjustable work tables and configure their own combinations.

**Step 1:**  
Determine the dimensions required



**Step 2:**  
Design your workstation online



**Step 3:**  
A detailed offer will be made available



**Step 4:**  
a fully-equipped workstation will be delivered

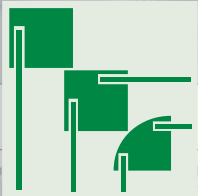


The basic modules:

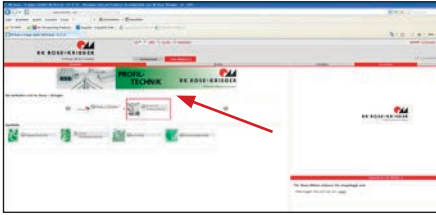


For detailed information, sizing and accessories, please have a look in our main catalogue Profile Technology BLOCAN®

# Applications



## Our service



### What we can do for you:

#### CAD-component library (Part server)

To support your design work we offer component data free of charge in the Rose+Krieger-component library (drawings, technical descriptions). About 60 different file formats (2D/3D) can be selected here.



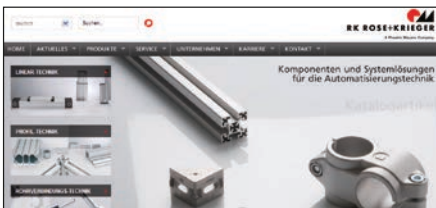
#### RK-Infovan – the exhibition at your location

Over 20 presentation boards with exhibits and functional examples, as well as many applications of drive and linear technology to give you a complete overview of RK products.



#### RK-Field service - Advice on site

Our key account managers and sales consultants are happy to visit you on site and help you draw up concrete proposals for practical solutions.

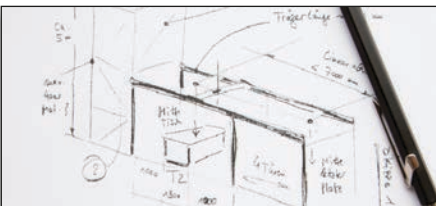


#### RK-website

On our website you will find lots of information about our company and our products . You will also find your contact partner in your area and the latest catalogue data (in PDF format) to download.

[www.rk-rose-krieger.com](http://www.rk-rose-krieger.com)

Do you need to focus your resources on other tasks and are you looking for a competent partner you can rely on? Working in close collaboration with you, our specialists will develop solutions tailor-made to meet your needs. If you wish, we can also assemble and commission the units on site.



Just make a sketch of your requirements



Our product specialists will develop a solution for you



We supply your turnkey solution or assemble and put it in operation for you on site

**R** RENOWNED  
KNOW-HOW

**LINEAR-  
PROFILE-  
CONNECTING-  
MODULE-**

**TECHNOLOGY**



**RK ROSE+KRIEGER**

A Phoenix Mecano Company

Postfach 15 64  
D-32375 Minden  
Tel.: +49 5 71 93 35-0  
Fax: +49 5 71 93 35-119  
info@rk-online.de  
www.rk-rose-krieger.com