

## Pressure Transmitter S4

for gauge or absolute pressure -1...10 bar

### Features:

- stainless steel construction
- compact design
- ambient temperature -40°C to +125°C
- medium temperature -40°C bis +150°C
- with customized pressure range
- output signal: 0-20 mA / 4-20 mA / 0-10 V

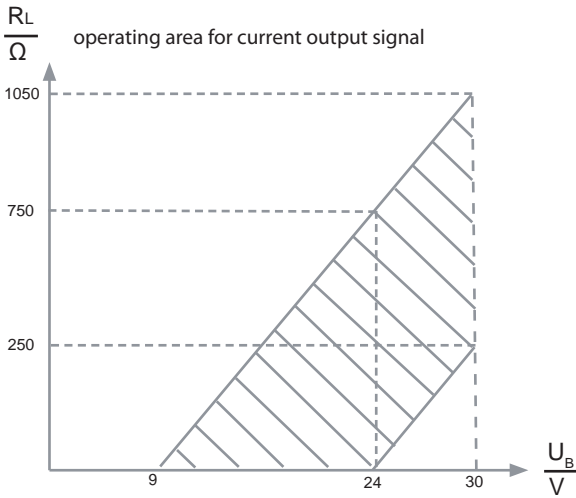


### Technical Specifications:

Pressure Range	bar	-1 ... 10 bar * * pressure range according to ordering designations
Overload		1,5...5 x pressure range depending on version
Linearity	% FS (typ.)	< 0,5
Pressure Hysteresis and Repeatability	% FS	≤ 0,1
Long Term Stability	% FS p. a.	< 0,2
Medium Temperature	°C	-25...+85 (...+125 on request)
Operating Temperature	°C	-25...+85 (...+110 on request)
Storage Temperature	°C	-25...+90
Supply Voltage		9..30VDC with inverse polarity and short circuit protection 14..30VDC (voltage output signal) max. ripple at 50 Hz: 10%
Output Signal		4-20mA (2-wire-technology), 0-20mA, 0-10V
Electrical Connector		M12 plug, cable, more on request
Pressure Port		G1/4", G1/2", more on request
Protection Class		IP67 (M12 plug)
EMC		EN 61000-6-2, EN 61000-6-3
Material Port		steel 1.4435
Material Housing		steel 1.4571

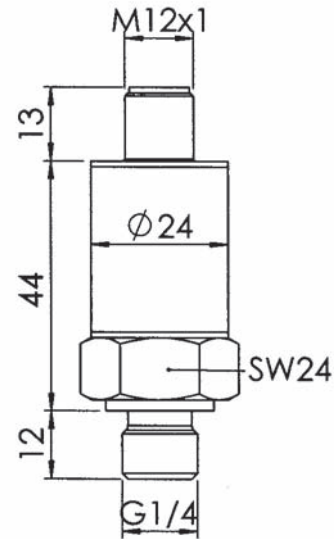
**Electrical Connection:**

**Dimensions:**

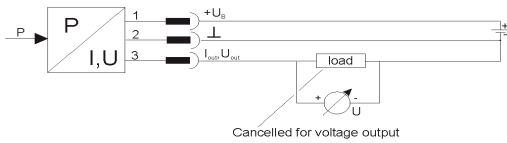


current output: load:  $R_L = \frac{U_B - 9V}{0,02A}$

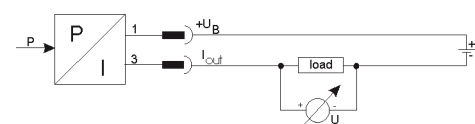
voltage output:  $R_L \geq 10k\Omega$



**3-wire versions**



**2-wire version**



Pin-definition	2-wire	3-wire
+UB	1	1
GND		2
Signal	3	3



**Ordering Example:**

type of pressure transmitter	..... S4
pressure range:	..... 0 - 10 bar
pressure port:	..... G1/4"
output signal:	..... 4-20 mA, 2-wire-version
electrical connection:	..... M12 x1

**Accessories:**

Connection Cable	Order-No.
M12-cable, 5m, PU, 5-pole, straight	110 26 410
M12-cable, 5m, PU, 5-pole, 90°	110 26 400
<b>M12-Connector Plug with screwing terminals</b>	
M12-Connector Plug straight	990 00 083
M12-Connector Plug 90°	990 00 010



subject to change without notice