

## Application

### Condensate flash vessel

Condensate flash vessels can be used in all steam plants where condensate from steam processors is reduced to a lower pressure, so that flash steam is formed by revaporization. In the flash vessel the steam is separated from the water, and then fed into a low-pressure steam system. The condensate remaining in the flash vessel is discharged into a condensate tank.

### Blowdown flash vessel

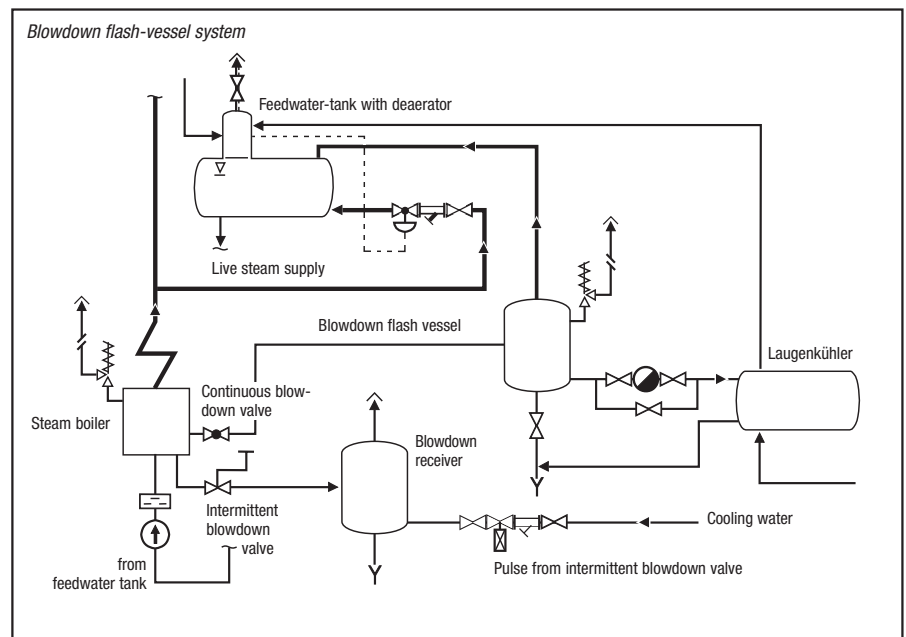
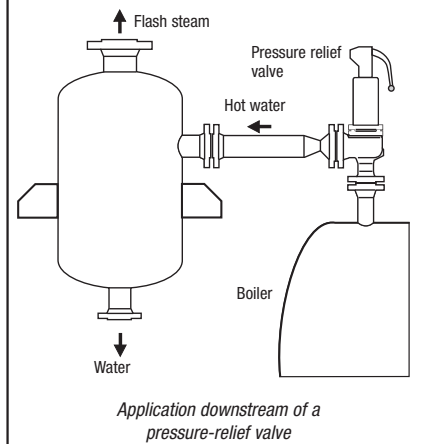
Blowdown flash vessels are used if the flash steam formed downstream of continuous blowdown valves is to be utilized.

### Blowdown receiver

In a blowdown receiver the sludge and water mixture withdrawn from the boiler by the intermittent blowdown valve is separated into flash steam and condensate (residual blowdown).

### Pressure-relief valve

When pressure-relief valves of hot water boilers blow off, flash steam is formed which is discharged to atmosphere by a blow-off line. For reasons of safety, to avoid scalding of personnel and damage to equipment by hot water discharged through the blow-off line, a flash vessel is installed between pressure-relief valve and blow-off line where steam and water are separated.



## Technical Data

Type	Service pressure [bar]	Service temperature [°C]	Condensate flowrate [t/h]	Volume [l]	Material (DIN reference)
VD	0.5 – 13	111 – 250	1.2 – 40	50 – 1400	S235JRG2 (RSt 37-2) / P265GH (HII)
VD 23-0.3	13	200	0.3	15	S235JRG2 (RSt 37-2) / GG 25
VD 23-1.0	13	200	1.0	15	S235JRG2 (RSt 37-2) / GG 25
VD 26-0.2	32	250	0.2	15	P265GH (H II) / GS-C 25
VD 26-0.7	32	250	0.7	15	P265GH (H II) / GS-C 25