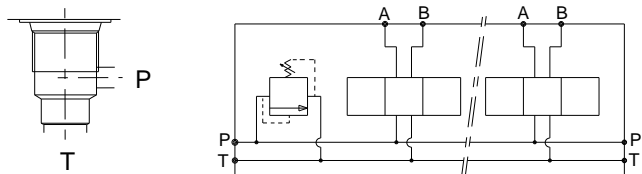


Stations	X	Y	(kg)
1	90	78	2.90
2	120	108	3.80
3	170	158	5.30
4	220	208	6.80
5	270	258	8.30
6	320	308	9.80
7	370	358	11.30
8	420	408	12.80

Cavity C10-2



Technical specifications	
Material	: Cast iron EN-GJL-250 _ Phosphatation
Pressure	: 300 bar max
Flow rate	: 60 L/mn max

Designation code :

**MR - 3 - \* . G / C10-2**

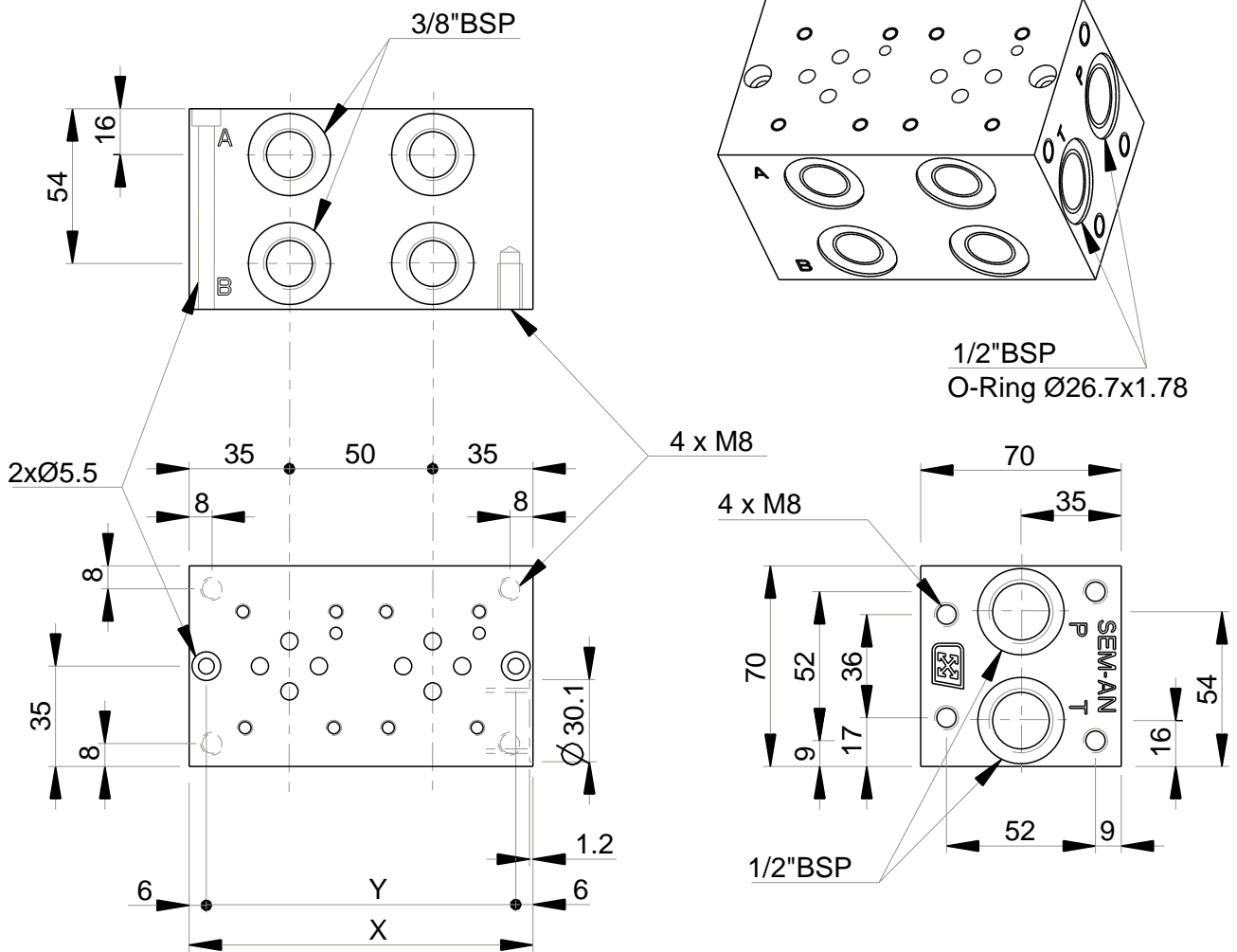
MECABOR

CETOP 3  
side entry

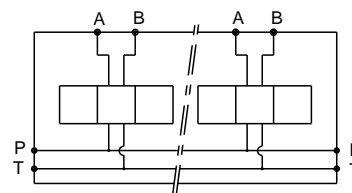
Station number

Cavity

G : ports BSP



Stations	X	Y	Cast iron (kg)	Alu (kg)
1	70	58	2.10	0.80
2	120	108	3.60	1.40
3	170	158	5.10	2.00
4	220	208	6.60	2.60
5	270	258	8.10	3.20
6	320	308	9.60	3.80
7	370	358	11.10	4.40
8	420	408	12.60	5.00



### Technical specifications

Material : Cast iron EN-GJL-250 \_ Phosphatation  
 : Alu 2017 \_ Anodising  
 Pressure : 300 bar max (Cast iron) - 250 bar max (Alu)  
 Flow rate : 60 L/mn max

Designation code :

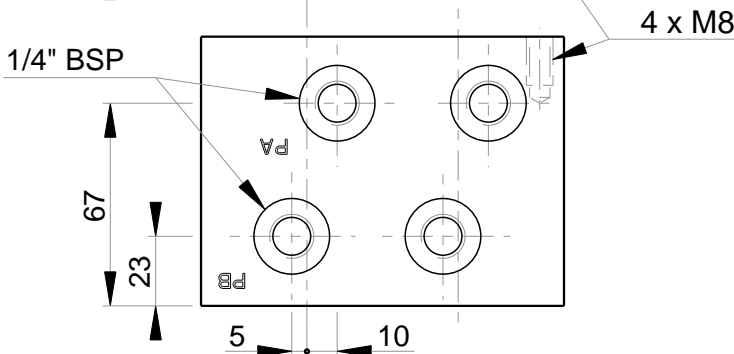
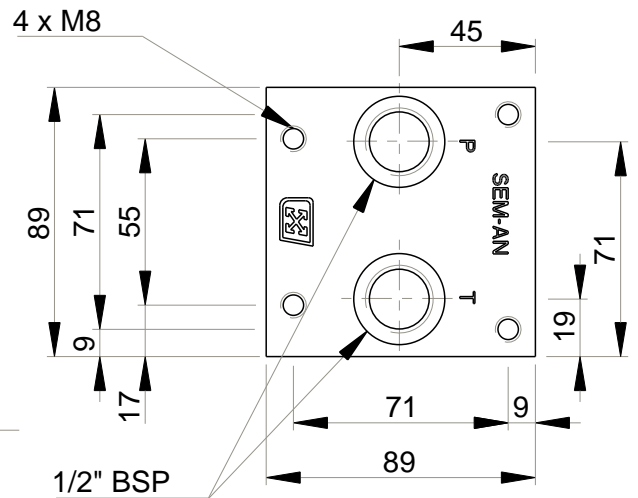
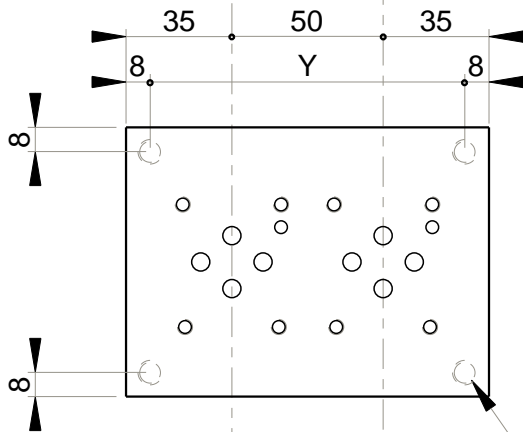
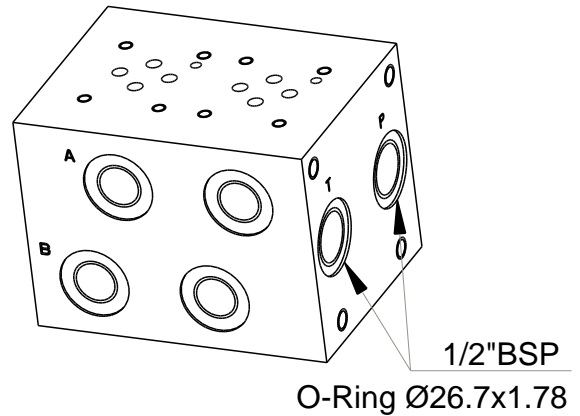
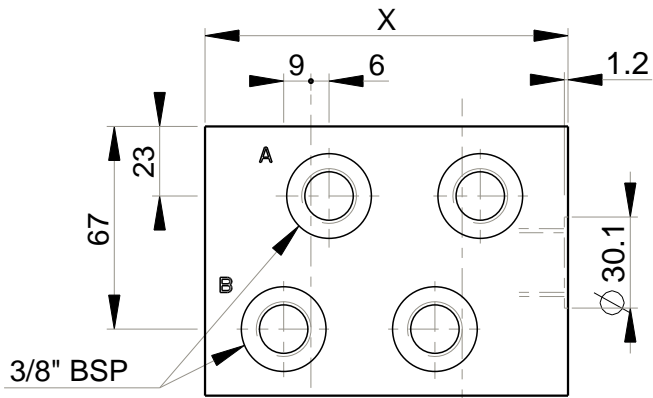
**MR - 3 - \* . G**

MECABOR

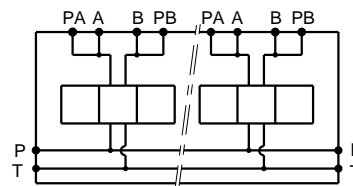
CETOP 3  
side entry

G : ports BSP

Station number



Stations	X	Y	(kg)
1	70	54	3.50
2	120	104	6.00
3	170	154	8.50
4	220	204	11.00
5	270	254	13.50
6	320	304	16.00
7	370	354	18.50
8	420	404	21.00



Technical specifications	
Material	: Cast iron EN-GJL-250 _ Phosphatation
Pressure	: 300 bar max
Flow rate	: 50 L/mn max

Designation code :

**MR - 3 - \* . G . P . AB**

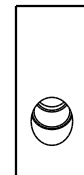
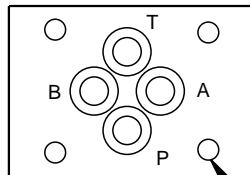
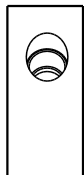
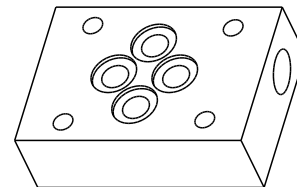
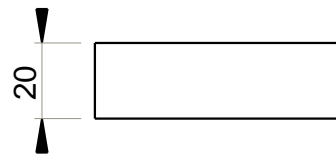
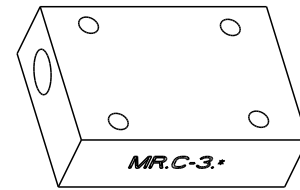
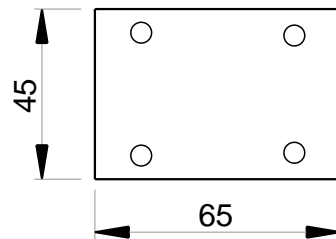
MECABOR

CETOP 3  
side entry

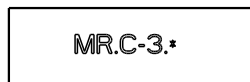
Station number

Pressure test points  
on A and B

G : ports BSP



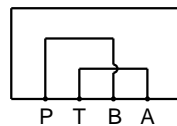
4 x Ø5.5



MR.C-3.PA



MR.C-3.PB



### Technical specifications

Material : Steel 1.0736 \_ Phosphatation  
 Pressure : 300 bar maxi  
 Weight : 0.40 kg  
 Supplied with seals

Designation code :

**MR . C - 3 . \***

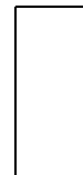
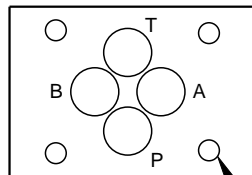
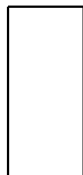
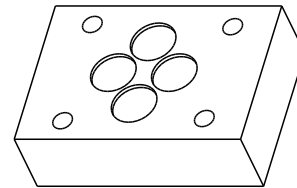
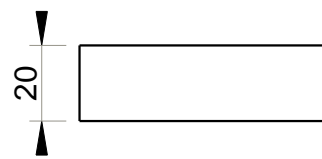
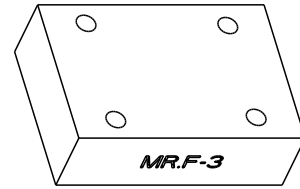
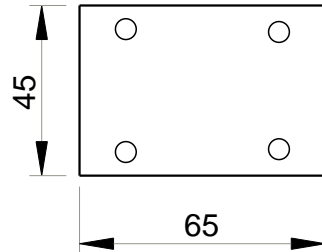
MECABOR

Crossover plate

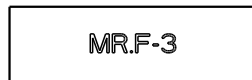
CETOP 3

PA = P - A  
 T - B

PB = P - B  
 T - A



4 x Ø5.5



MR.F-3



### Technical specifications

Material : Steel 1.0736 \_ Phosphatation  
 Pressure : 300 bar maxi  
 Weight : 0.46 kg  
 Supplied with seals and screws

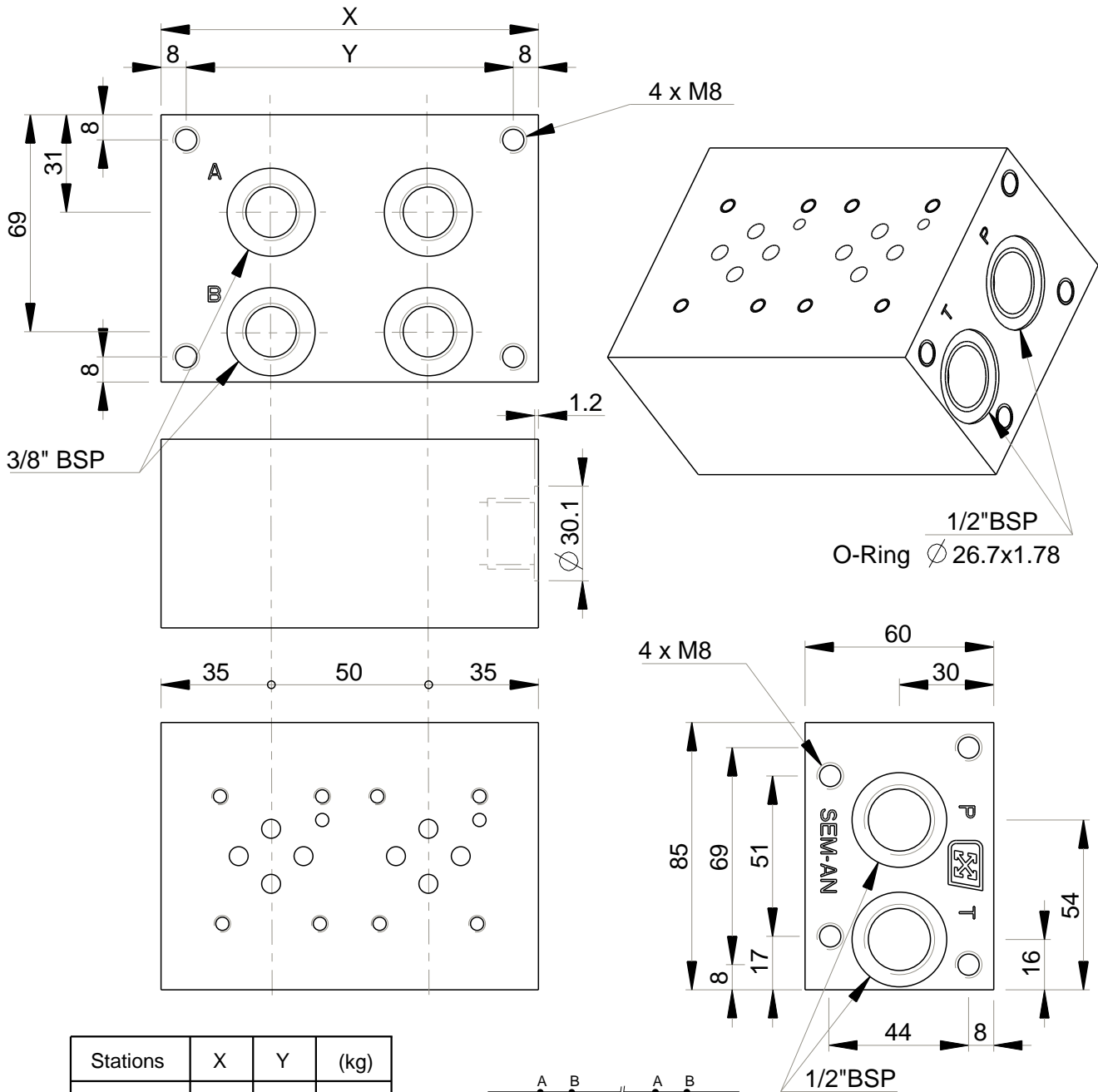
Designation code :

**MR . F - 3**

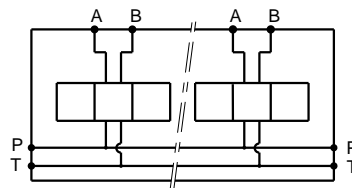
MECABOR

Blanking plate

CETOP 3



Stations	X	Y	(kg)
1	70	54	2.35
2	120	104	3.90
3	170	154	5.45
4	220	204	7.00
5	270	254	8.55
6	320	304	10.10
7	370	354	11.65
8	420	404	13.20



Technical specifications	
Material	: Cast iron EN-GJL-250 _ Phosphatation
Pressure	: 300 bar max
Flow rate	: 50 L/mn max

Designation code :

**MR . K - 3 - \* . G**

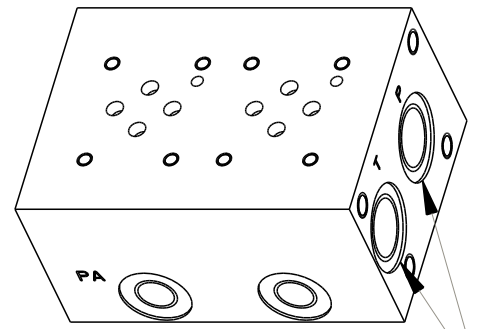
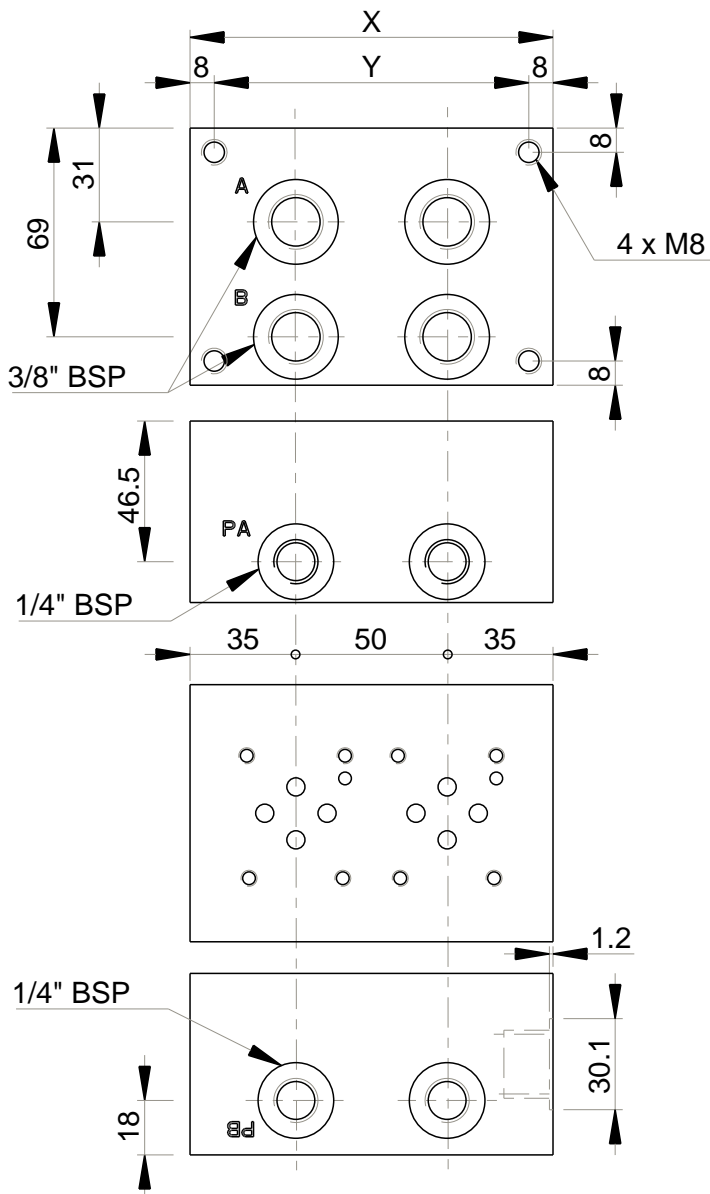
MECABOR

Bottom entry

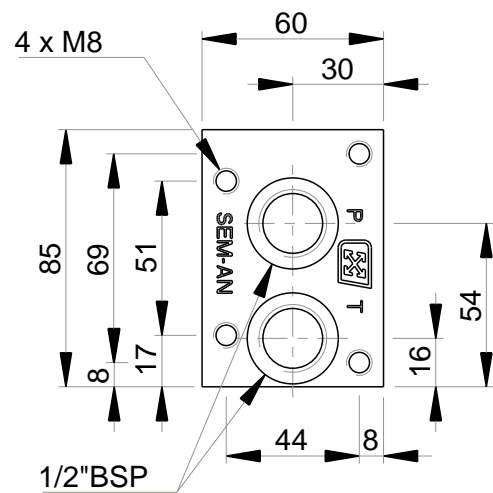
CETOP 3

G : ports BSP

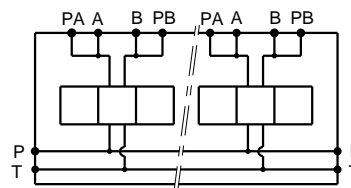
Station number



1/2" BSP  
O-Ring  $\varnothing$  26.7x1.78



Stations	X	Y	(kg)
1	70	54	2.35
2	120	104	3.90
3	170	154	5.45
4	220	204	7.00
5	270	254	8.55
6	320	304	10.10
7	370	354	11.65
8	420	404	13.20



### Technical specifications

Material : Cast iron EN-GJL-250 \_ Phosphatation  
 Pressure : 300 bar max  
 Flow rate : 50 L/mn max

Designation code :

**MR . K - 3 - \* . G . P . AB**

MECABOR

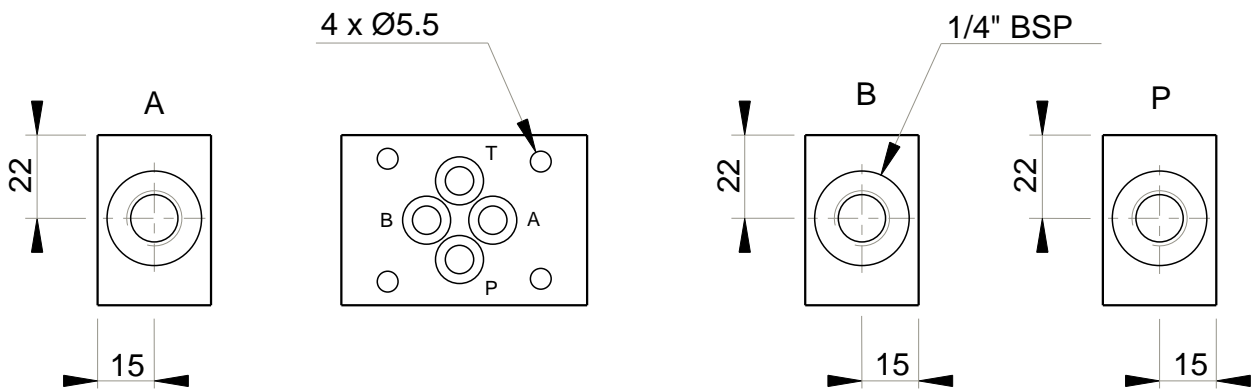
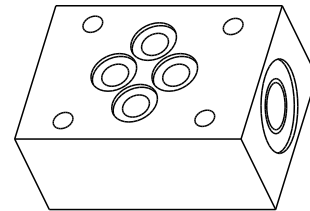
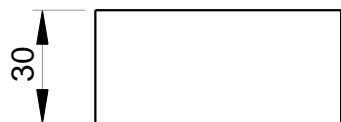
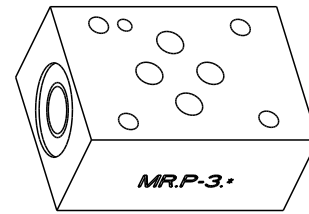
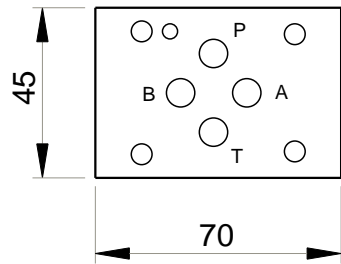
Bottom entry

CETOP 3

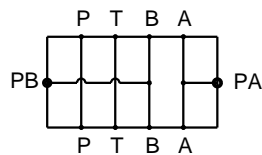
Station number

Pressure test points  
on A and B

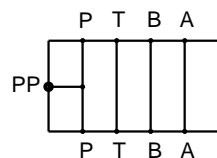
G : ports BSP



MR.P-3.AB



MR.P-3.P



### Technical specifications

Material : Steel 1.0736 \_ Phosphatation  
 Pressure : 300 bar maxi  
 Weight : 0.64 kg  
 Supplied with seals

Designation code :

**MR . P - 3 . \* - 1/4" G**

MECABOR

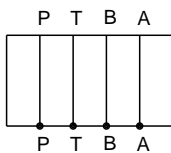
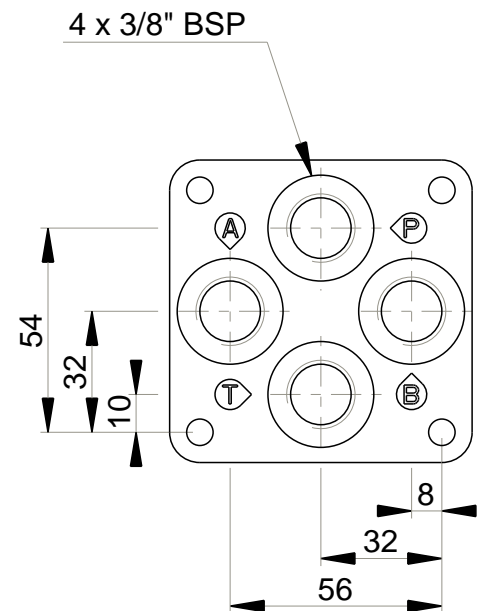
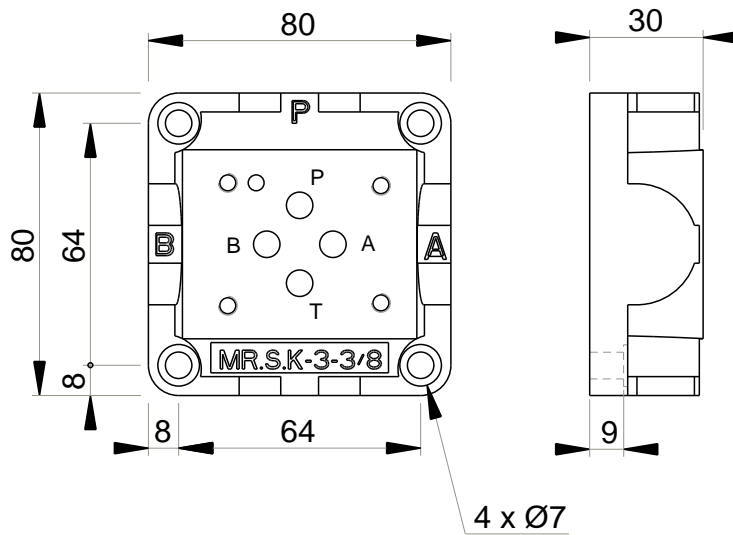
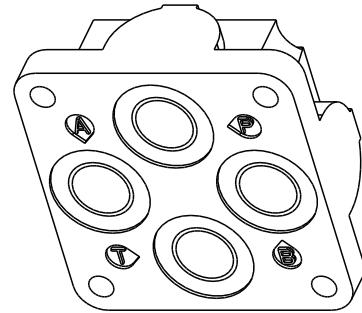
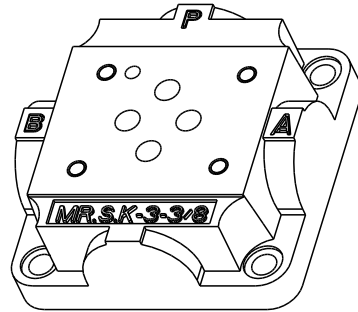
Subplate with  
pressure test points

CETOP 3

G : ports BSP

P = pressure test point on P  
 AB = pressure test points  
on A and B





### Technical specifications

Material	: Cast iron EN-GJS-400-15 _ Phosphatation
Pressure	: 300 bar maxi
Flow rate	: 60 L/mn maxi
Weight	: 0.9 kg

Designation code :

**MR . S . K - 3 - 3/8" G**

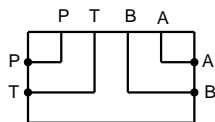
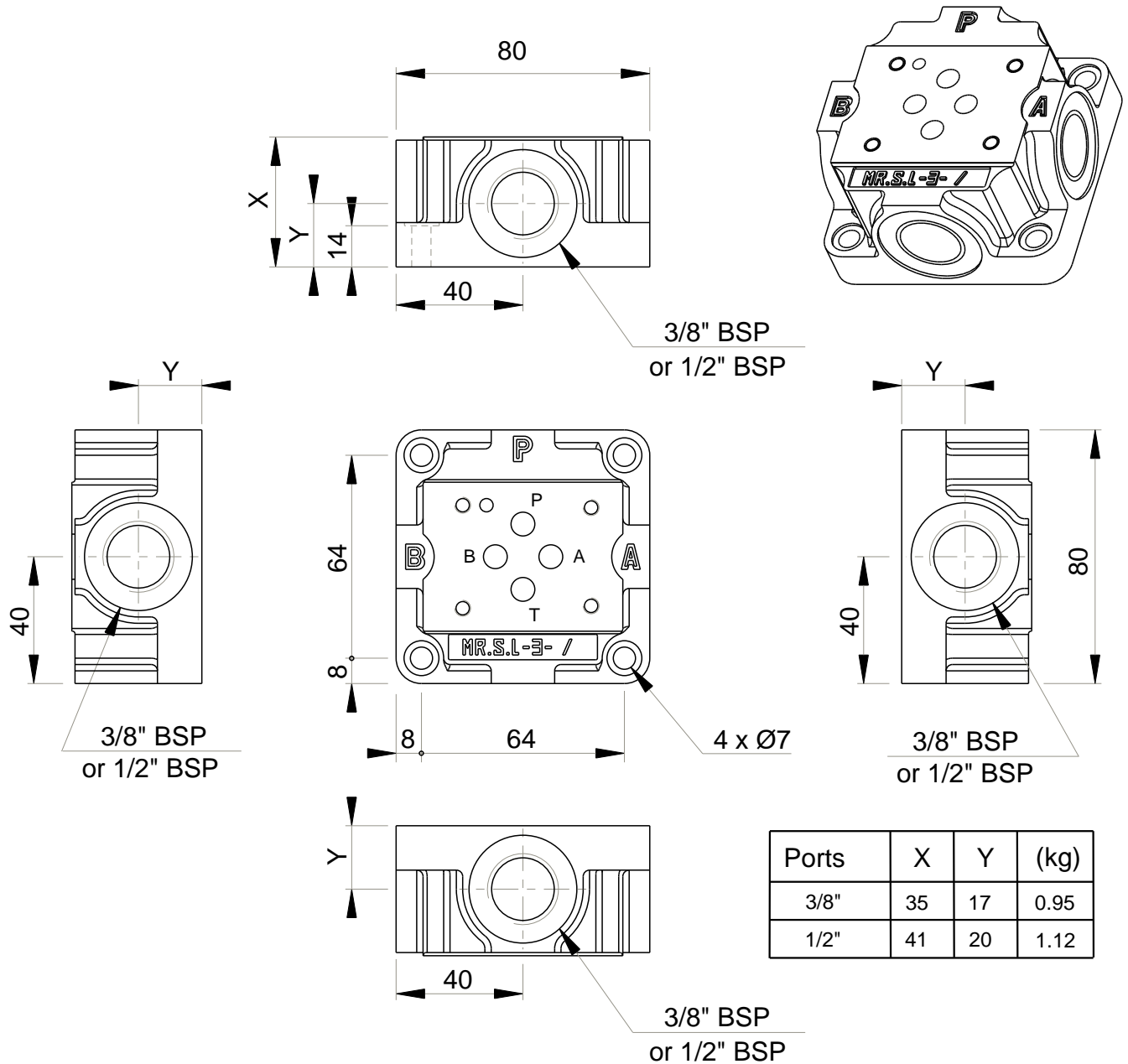
MECABOR

Subplate

Bottom entry

G : ports BSP

CETOP 3



### Technical specifications

Material	: Cast iron EN-GJS-400-15 _ Phosphatation
Pressure	: 300 bar maxi
Flow rate	: 60 L/mn maxi (3/8" BSP) 80 L/mn maxi (1/2" BSP)

Designation code :

**MR . S . L - 3 - \* G**

MECABOR

Subplate

Side entry

CETOP 3

G : ports BSP

3/8"  
1/2"