

| Stations | X | Y | (kg) |
|----------|-----|-----|------|
| 1 | 140 | 116 | 23 |
| 2 | 265 | 241 | 43 |

| Technical specifications | |
|--------------------------|--|
| Material | : Cast iron EN-GJL-250 _ Phosphatation |
| Pressure | : 300 bar max |
| Flow rate | : 350 L/mn max |

Designation code :

MR - 8 - * - 1" G

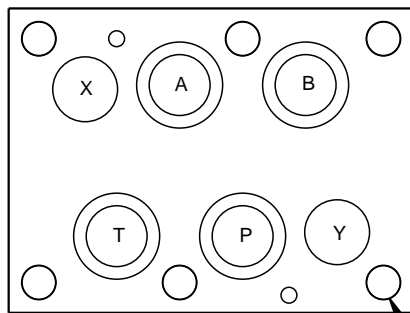
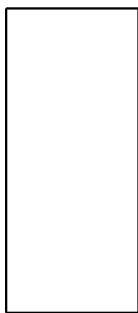
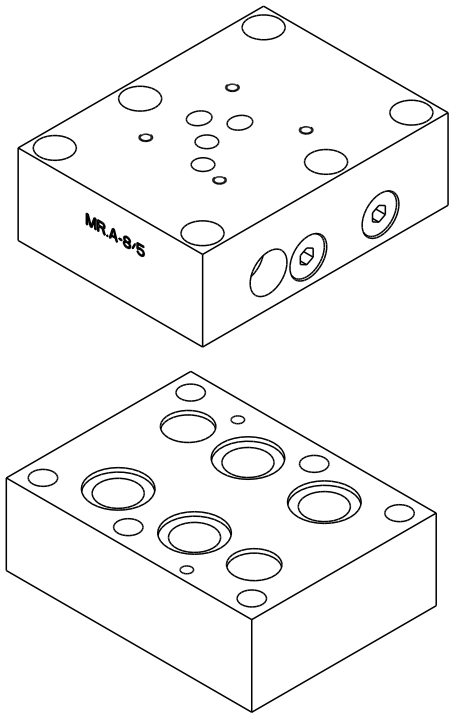
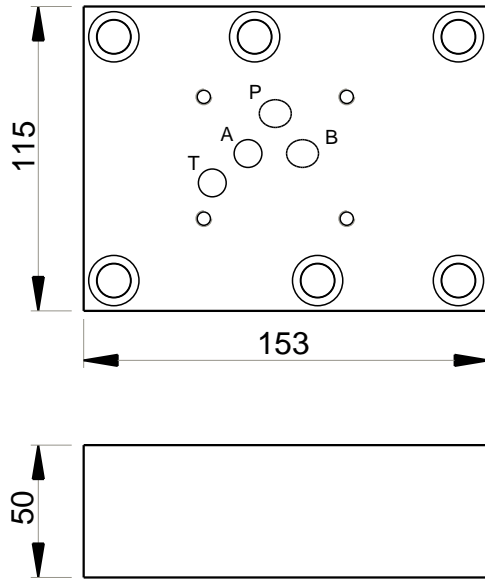
MECABOR

CETOP 8
side entry

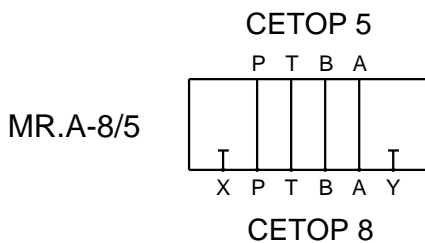
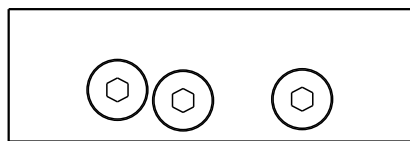
Station number

G : ports BSP

Ports



6 x Ø13



| Technical specifications | |
|--------------------------------|--------------------------------|
| Material | : Steel 1.1167 _ Phosphatation |
| Pressure | : 300 bar maxi |
| Weight | : 5.70 kg |
| Supplied with seals and screws | |

Designation code :

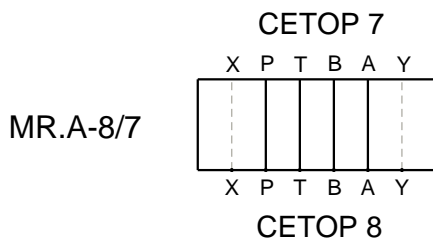
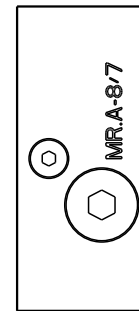
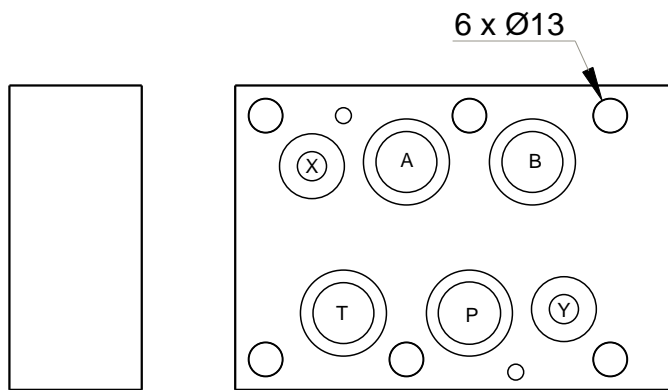
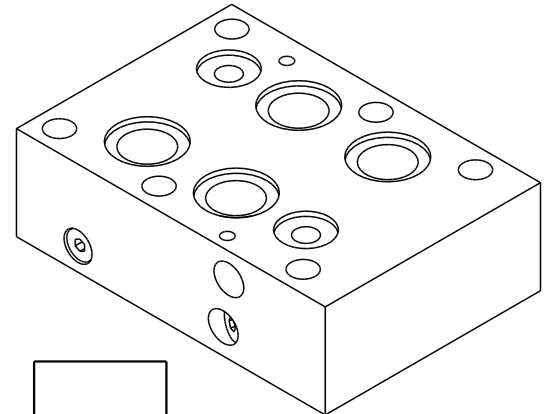
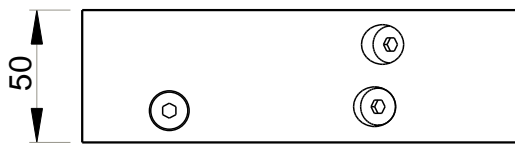
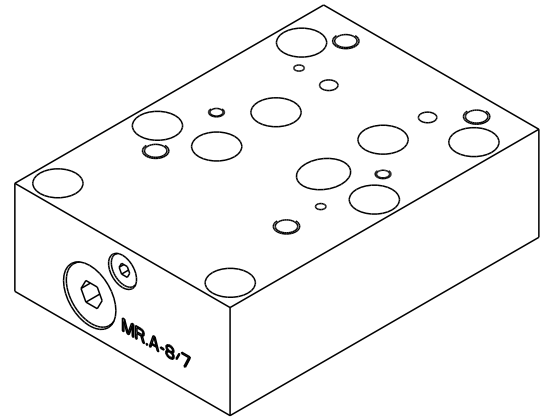
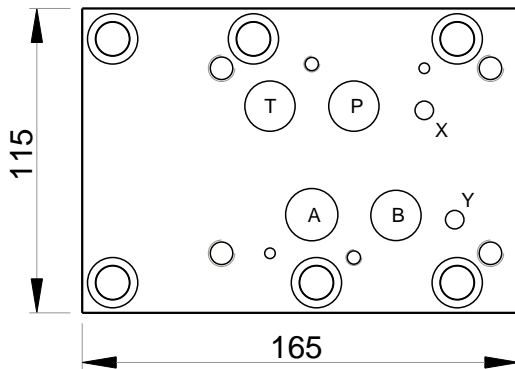
MR . A - 8 / 5

MECABOR

Adaptator plate

CETOP 8

CETOP 5



| Technical specifications | |
|--------------------------------|--------------------------------|
| Material | : Steel 1.1167 _ Phosphatation |
| Pressure | : 300 bar maxi |
| Weight | : 6.30 kg |
| Supplied with seals and screws | |

Designation code :

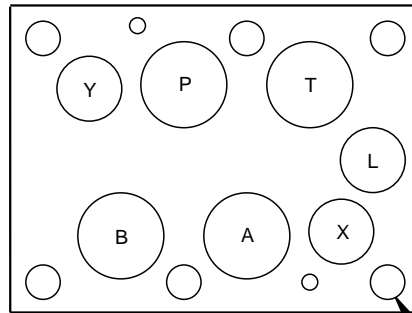
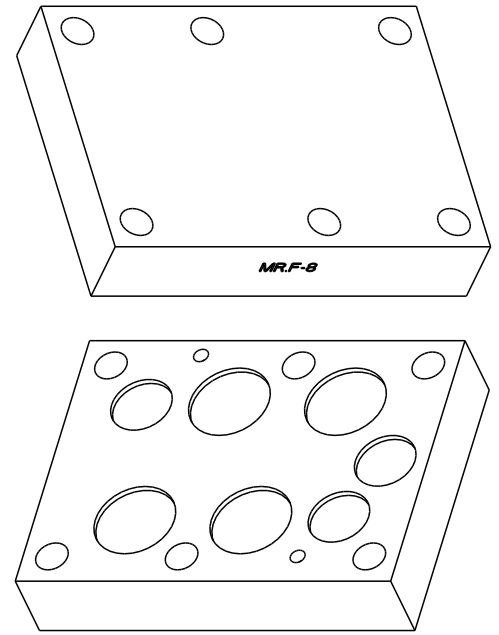
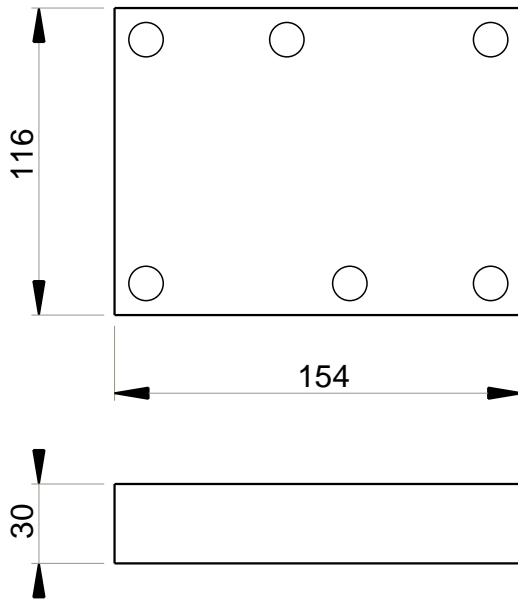
MR . A - 8 / 7

MECABOR

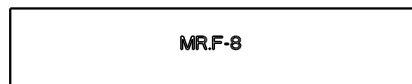
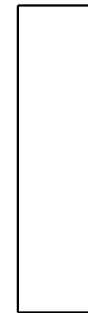
Adaptor plate

CETOP 8

CETOP 7



6 x Ø13



MR.F-8



Technical specifications

Material : Steel 1.1167 _ Phosphatation
 Pressure : 300 bar maxi
 Weight : 4.30 kg
 Supplied with seals and screws

Designation code :

MR . F - 8

MECABOR

Blanking plate

CETOP 8