

Accessories

Mounting accessories

Mounting kit 052



Features

- For low-dynamic applications and constant movements

Description

Torque support onto encoder by help of the attached screws. Push encoder onto the drive shaft and mount torque support onto the client side. Fastening clamping ring by the screw provided.

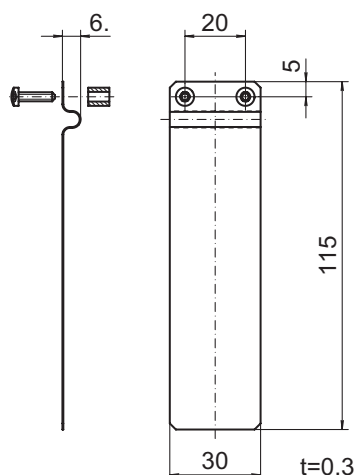
Part number

11066075 Mounting kit 052

Scope of delivery

Included:
torque support, two screws M3 x 12 (DIN 7985 - TX10) with
two spacers 7 mm

Dimensions



Z00424

Assembly drawing

