

Incremental encoders

Solid shaft with square flange

1...65536 pulses per revolution programmable

EIL580P - square flange - OptoPulse®



EIL580P with square flange

Features

- Size $\varnothing 58$ mm
- Precise optical sensing
- Output signal level programmable (TTL or HTL)
- Square flange 63.5 x 63.5 mm
- Connection axial, radial or tangential
- Pulses per revolution 1...65536, programmable
- High protection up to IP 67
- High resistance to shock and vibrations

Technical data - electrical ratings

Voltage supply	4.75...30 VDC
Reverse polarity protection	Yes
Short-circuit proof	Yes
Consumption w/o load	≤ 70 mA
Initializing time	≤ 30 ms after power on
Pulses per revolution	1...65536
Scan ratio	45...55 % typical at 2048 ppr
Reference signal	Zero pulse 90° or 180°
Sensing method	Optical
Output frequency	≤ 300 kHz (TTL) ≤ 160 kHz (HTL)
Output signals	A+, B+, R+, A-, B-, R-
Output stages	TTL/RS422 HTL/push-pull
Programmable parameters	Output level TTL/HTL Pulse number 1...65536 Zero pulse width 90°/180° Zero pulse position Signal sequence
Interference immunity	DIN EN 61000-6-2
Emitted interference	DIN EN 61000-6-3
Approval	UL 508 / CSA 22.2

Technical data - mechanical design

Size (flange)	63.5 x 63.5 mm
Shaft type	$\varnothing 10$ x 20 mm, solid shaft with edge $\varnothing 9.525$ mm (3/8") x 20 mm, solid shaft with edge
Admitted shaft load	≤ 40 N axial ≤ 80 N radial
Flange	Clamping flange square 63.5 x 63.5 mm
Protection DIN EN 60529	IP 65 (without shaft seal), IP 67 (with shaft seal)
Operating speed	≤ 6000 rpm (+20 °C, IP 67) ≤ 12000 rpm (+20 °C, IP 65)
Starting torque	≤ 0.015 Nm (+20 °C, IP 65) ≤ 0.02 Nm (+20 °C, IP 67)
Materials	Housing: aluminium die-cast Flange: aluminium Solid shaft: stainless steel
Operating temperature	-40...+100 °C
Relative humidity	90 % non-condensing
Resistance	DIN EN 60068-2-6 Vibration 30 g, 10-2000 Hz DIN EN 60068-2-27 Shock 300 g, 6 ms
Connection	Flange connector M12, 8-pin Flange connector M23, 12-pin Cable
Weight approx.	370 g

Incremental encoders

Solid shaft with square flange

1...65536 pulses per revolution programmable

EIL580P - square flange - *OptoPulse*[®]

Accessories

Connectors and cables

10127844	Connection cable 2 m shielded with female connector M12, 8-pin, straight (ESG 34FH0200G)
10129332	Connection cable 5 m shielded with female connector M12, 8-pin, straight (ESG 34FH0500G)
10129333	Connection cable 10 m shielded with female connector M12, 8-pin, straight (ESG 34FH1000G)
11053961	Connection cable 2 m shielded with female connector M12, 8-pin, angled (ESW 33FH0200G)
11053962	Connection cable 5 m shielded with female connector M12, 8-pin, angled (ESW 33FH0500G)
10170054	Connection cable 10 m shielded with female connector M12, 8-pin, angled (ESW 33FH1000G)
10164705	Connector M23, 12-pin
11095302	Connection cable 1 m shielded with female connector M23, 12-pin
11100408	Connection cable 2 m shielded with female connector M23, 12-pin
11100430	Connection cable 5 m shielded with female connector M23, 12-pin
11100431	Connection cable 10 m shielded with female connector M23, 12-pin
11119280	Connection cable connector M12 / connector D-SUB, 0.2 m
11119720	Connection cable connector M12 / connector D-SUB, 1 m
11119257	Connection cable connector M23 / connector D-SUB, 0.2 m (S2BG12/K4SG9)
11119723	Connection cable connector M23 / connector D-SUB, 1 m (S2BG12/K4SG9)

Mounting accessories

11065915	Coupling CPS25 L=19 d1=04/d2=10
11065918	Coupling CPS25 L=19 d1=07/d2=10
11065920	Coupling CPS25 L=19 d1=08/d2=10
11065921	Coupling CPS25 L=19 d1=09/d2=10
11065922	Coupling CPS25 L=19 d1=10/d2=06
11065923	Coupling CPS25 L=19 d1=10/d2=10
11065924	Coupling CPS25 L=19 d1=10/d2=11
11065925	Coupling CPS25 L=19 d1=10/d2=12
10141132	Spring washer coupling D1=06 / D2=10
10141133	Spring washer coupling D1=10 / D2=10
11034138	Spring washer coupling D1=10 / D2=16
11034140	Spring washer coupling D1=10 / D2=14

Mounting accessories

11034141	Spring washer coupling D1=10 / D2=12
11050507	Bellows coupling aluminium/stainless steel D1=06 / D2=10
11101781	Double loops coupling D1=10 / D2=10

Programming accessories

11120657	Handheld Programming Tool Z-PA-EI-H
11120547	PC Programming Tool Z-PA-EI-P

Incremental encoders

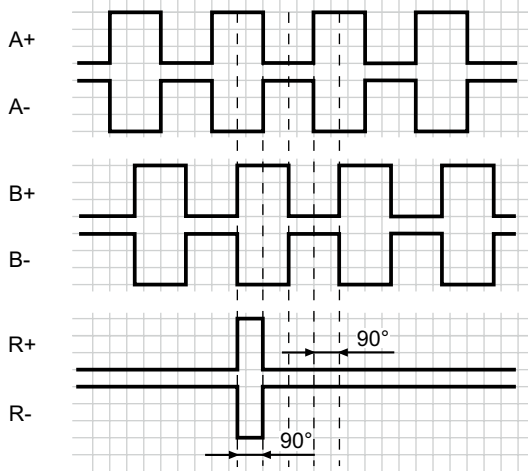
Solid shaft with square flange

1...65536 pulses per revolution programmable

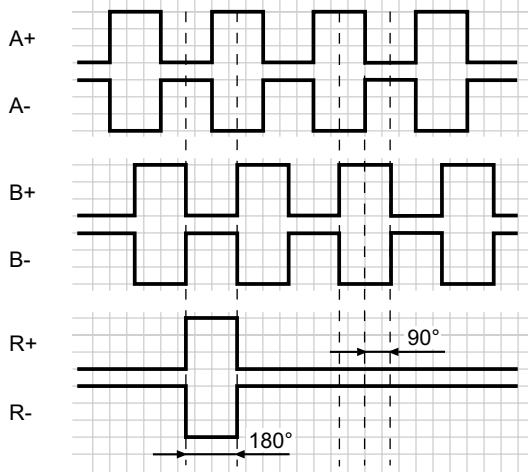
EIL580P - square flange - *OptoPulse*[®]

Output signals

Zero pulse electrical 90° A&B high
(Factory setting at clockwise rotation (CW)
in view of the encoder flange)



Zero pulse electrical 180° B low
(at clockwise rotation (CW)
in view of the encoder flange)



Trigger level

Outputs	TTL/RS422
Output level High	≥2.5 V
Output level Low	≤0.5 V
Load	≤20 mA

Outputs	HTL/Push-pull
Output level High	≥UB -3 V
Output level Low	≤1.5 V
Load	≤20 mA

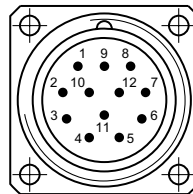
Terminal assignment

Flange connector M23, 12-pin / cable

Pin	Core color	Assignment
1	pink	B-
2	–	–
3	blue	R+
4	red	R-
5	green	A+
6	yellow	A-
7	–	R-Set ¹⁾
8	grey	B+
9	–	–
10	white	GND
11	–	–
12	brown	UB

Screen: Connected to housing

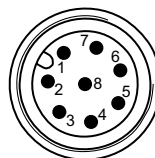
Cable data: PUR, [4x2x0,14 mm²], bending radius
>45,8 mm, outer diameter 6.1 mm



¹⁾ The R-Set input is used to set the reference pulse (zero pulse) on the current shaft position.
R-Set = UB ≥ 200 ms

Flange connector M12, 8-pin

Pin	Assignment
1	GND
2	UB
3	A+
4	A-
5	B+
6	B-
7	R+
8	R-



Incremental encoders

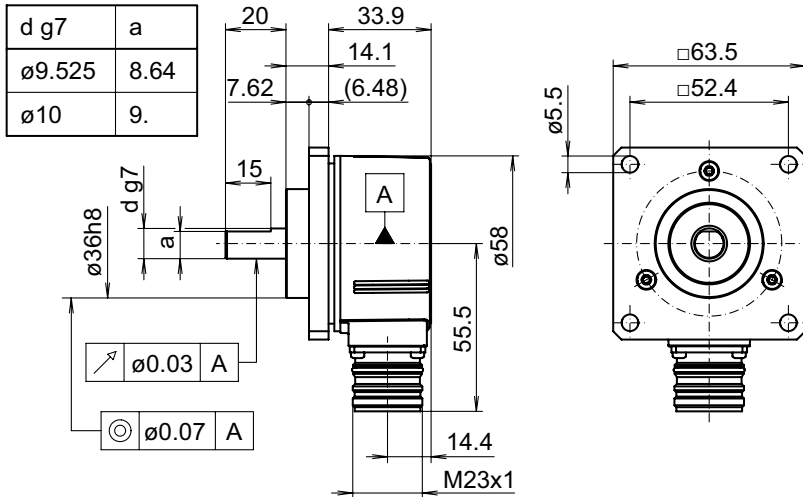
Solid shaft with square flange

1...65536 pulses per revolution programmable

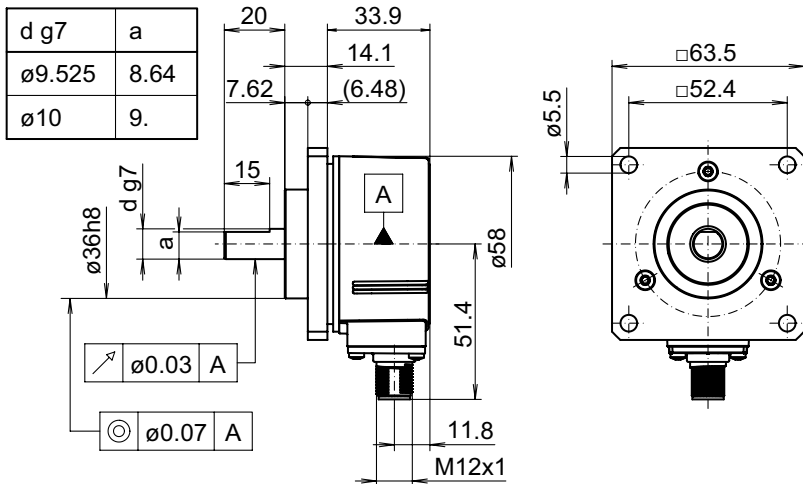
EIL580P - square flange - OptoPulse®

Dimensions

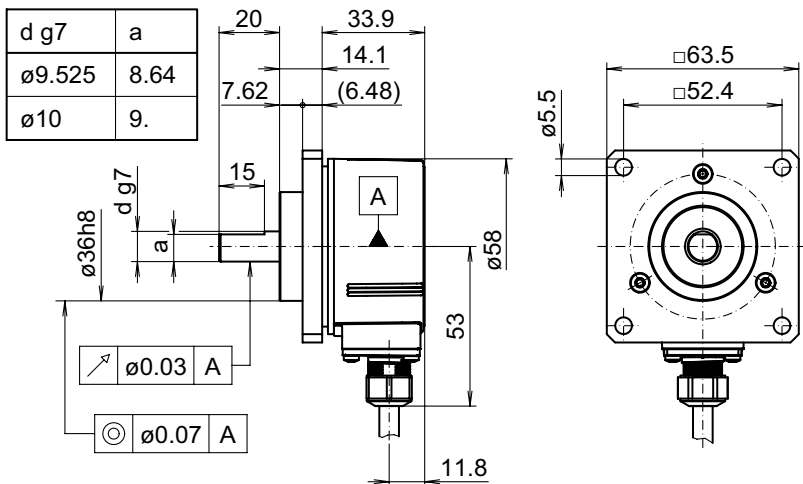
Square flange, flange connector M23, radial



Square flange, flange connector M12, radial



Square flange, cable radial



Incremental encoders

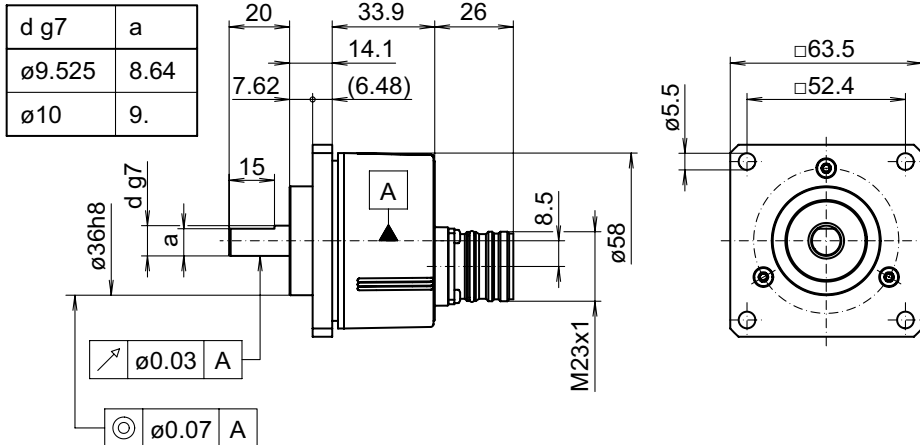
Solid shaft with square flange

1...65536 pulses per revolution programmable

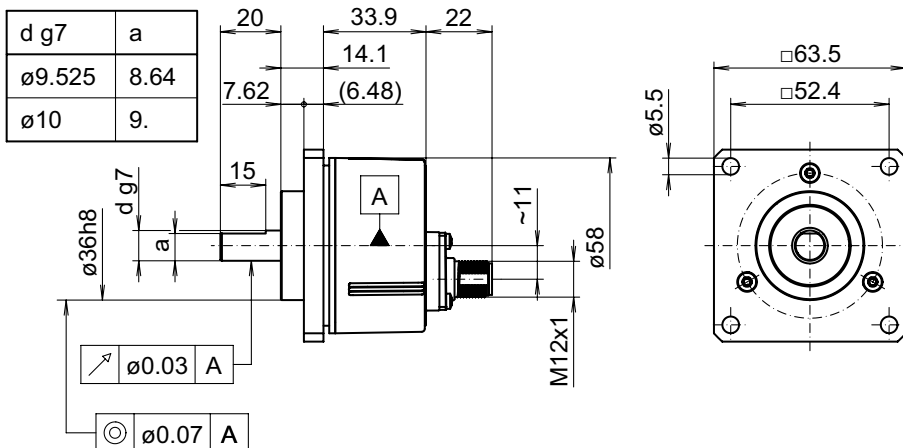
EIL580P - square flange - *OptoPulse*[®]

Dimensions

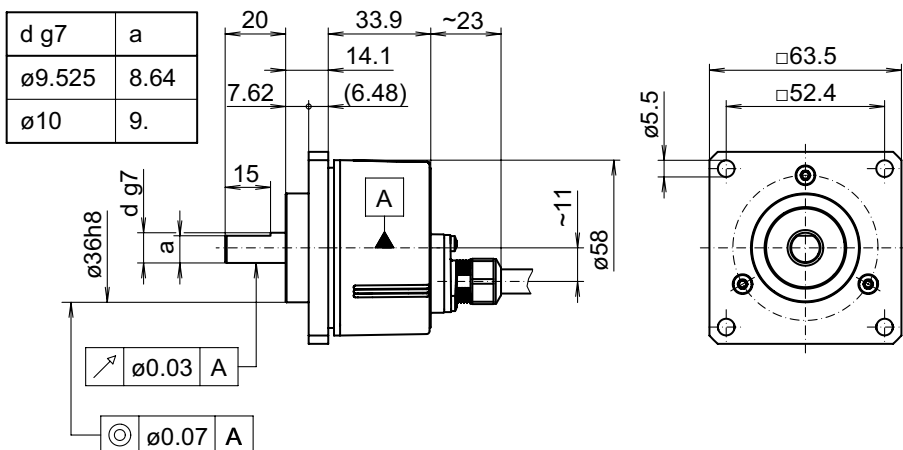
Square flange, flange connector M23, axial



Square flange, flange connector M12, axial



Square flange, cable axial



Incremental encoders

Solid shaft with square flange

1...65536 pulses per revolution programmable

EIL580P - square flange - *OptoPulse*[®]

Dimensions

Square flange, cable tangential

