

Accessories

Relay moduls

Relay modul ES 93 R



Description

Switch relay box for switching high voltages and currents for the electrical speed switch ES 93. Triggering is carried out by the transistor outputs of the ES 93. The ES 93 R also conditions an externally supplied AC or DC low voltage.

Part number

ES 93 R Relay modul

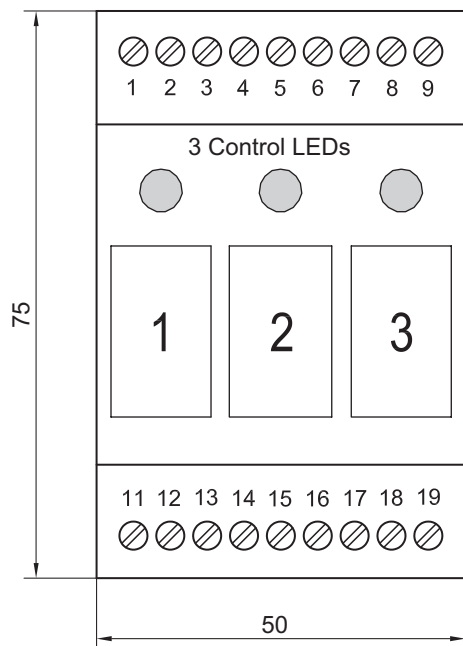
Suitable for

ES 93, HOG 10 + ESL 93, HOG 11 + ESL 93, POG 10 + ESL 93, POG 11 + ESL 93, POG 9 + ESL 93, POG 90 + ESL 93

Technical data

Housing	50x75x55 mm
Protection DIN EN 60529	IP 20
Material	Housing: Polycarbonat
Operating temperature	-20...+50 °C
Weight approx.	130 g
Connection	Connecting terminal
Max. cable length	200 m (1 mm ² shielded)
Voltage supply	15...26 VDC

Dimensions



Height = 55

Terminal assignment

