



## features

- flashable LED dark field illumination
- white
- diffuse
- 24 V
- cable length: 0,3 m
- diameter: 100 mm
- connector and pin assignment suitable for *VeriSens*® XC series

## general data

manufacturer Falcon Illumination MV GmbH & Co.KG

## illumination data

color white  
illumination characteristic diffuse  
illumination mode flashable

## mechanical data

construction design dark field illumination  
dimensions Ø 100 mm  
dimensions Ø external 94,6 mm  
luminous area Ø internal 73 mm  
material aluminium  
material of cover glass acrylic  
cable length [m] 0,3 m  
weight ≤ 190 g

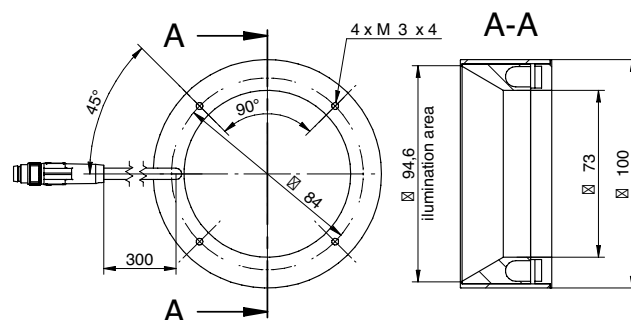
## electrical data

number of poles 4  
illumination connector M8 connector  
current ≤ 0,34 A  
current at flash mode ≤ 0,85 A  
voltage at flash mode ≤ 48 V  
duty cycle 0-10%  
maximum flash duration 10 ms

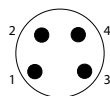
## environmental conditions

operating temperature 0 ... +35 °C  
humidity 20% - 85%  
protection class IP 50

## dimension drawing



## pin assignment



M8 signal  
1: LED +24V (pulsing 24-48 V)  
2: N.C.  
3: LED - (GND)  
4: N.C.