



## features

- flashable LED back light
- white
- diffuse
- 24 V
- cable length: 1 m
- dimensions: 47 mm × 47 mm × 15 mm housing
- connector and pin assignment suitable for *VeriSens*® XC series

## general data

manufacturer Falcon Illumination MV GmbH & Co.KG

## illumination data

color white  
illumination characteristic diffuse  
illumination mode flashable

## mechanical data

construction design back light  
dimensions 47 mm × 47 mm  
height 15 mm  
dimensions luminous area 36 mm × 36 mm  
material aluminium  
material of cover glass acrylic  
cable length [m] 1 m  
weight ≤ 40 g

## electrical data

number of poles 4  
illumination connector M8 connector  
current ≤ 0,12 A  
current at flash mode ≤ 0,3 A  
voltage at flash mode ≤ 48 V  
duty cycle 0-10%  
maximum flash duration 10 ms

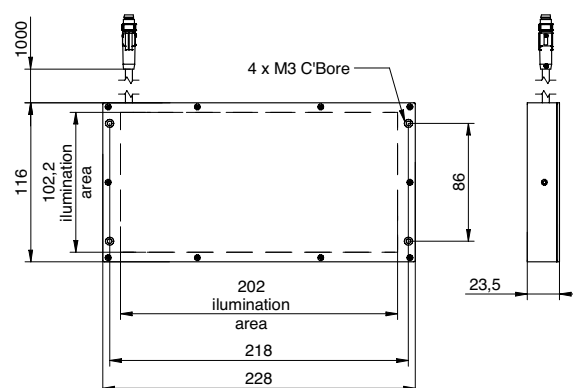
## environmental conditions

operating temperature 0 ... +35 °C  
humidity 20% - 85%

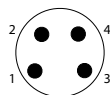
## environmental conditions

protection class IP 50

## dimension drawing



## pin assignment



M8 signal

1:	LED +24V (pulsing 24-48 V)
2:	N.C.
3:	LED - (GND)
4:	N.C.