



## features

- flashable LED dome light
- white
- 24 V
- cable length: 0,3 m
- diameter: 130 mm
- connector and pin assignment suitable for *VeriSens*® XC series

## general data

manufacturer Falcon Illumination MV GmbH & Co.KG

## illumination data

color white  
illumination mode flashable

## mechanical data

construction design dome light  
dimensions Ø 130 mm  
height 61 mm  
dimensions Ø external 80 mm  
luminous area Ø internal 25 mm  
material aluminium  
cable length [m] 0,3 m  
weight ≤ 230 g

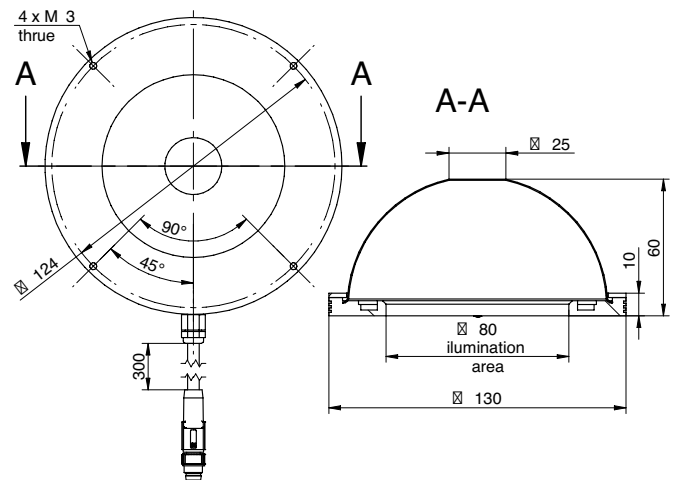
## electrical data

number of poles 4  
illumination connector M8 connector  
current ≤ 0,2 A  
current at flash mode ≤ 1,25 A  
voltage at flash mode ≤ 48 V  
duty cycle 0-10%  
maximum flash duration 10 ms

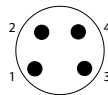
## environmental conditions

operating temperature 0 ... +35 °C  
humidity 20% - 85%

## dimension drawing



## pin assignment



M8 signal

1:	LED +24V (pulsing 24-48 V)
2:	N.C.
3:	LED - (GND)
4:	N.C.