



features

- flashable LED back light
- NIR
- diffuse
- 24 V
- cable length: 1 m
- dimensions: 94 mm × 94 mm × 10 mm housing
- connector and pin assignment suitable for *VeriSens*® XC series

general data

manufacturer Falcon Illumination MV GmbH & Co.KG

illumination data

color infrared
illumination diffuse
characteristic
illumination mode flashable

mechanical data

construction design back light
dimensions 94 mm × 94 mm
height 10 mm
dimensions 60 mm × 60 mm
luminous area
material aluminium
material of cover glass acrylic
cable length [m] 1 m
weight ≤ 160 g

electrical data

number of poles 4
illumination M8 connector
connector
current ≤ 0,1 A
current at flash mode ≤ 0,24 A
voltage at flash mode ≤ 48 V
duty cycle 0-10%
maximum flash duration 10 ms

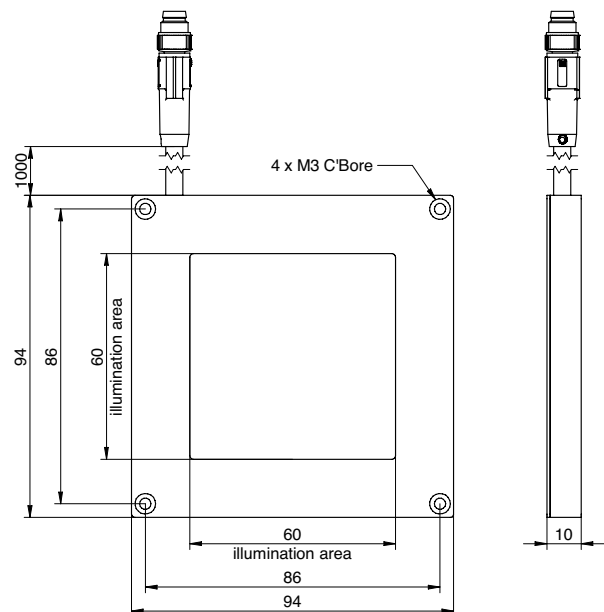
environmental conditions

operating temperature 0 ... +35 °C
humidity 20% - 85%

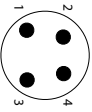
environmental conditions

protection class IP 50

dimension drawing



pin assignment



M8	signal
1:	LED +24V (pulsing 24-48 V)
2:	N.C.
3:	LED - (GND)
4:	N.C.