

features

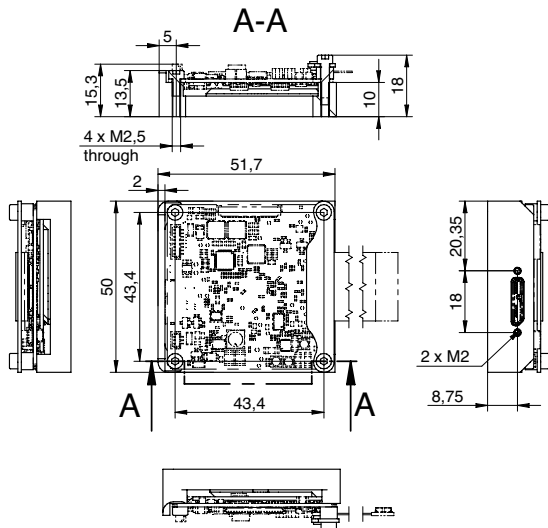
- heat sink for USB 3.0 board level cameras incl. screws (hexagon socket), retaining bracket and thermal conductive pads



mechanical data

dimensions	50 mm × 50 mm × 10 mm
material	aluminium
weight	≤ 50 g

dimension drawing



schematic diagram

