



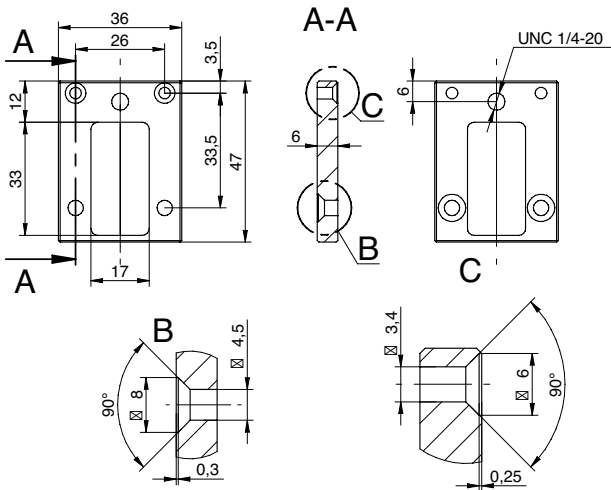
features

- camera mounting adapter for TX, *VisiLine*[®], *VisiLine*[®] IP, LX, PX and SX/HX cameras (not HXC13) incl. screws (hexagon socket) and washers
- stable mounting

mechanical data

dimensions	47 mm × 36 mm × 6 mm
material	aluminium
weight	≤ 17 g

dimension drawing



schematic diagram

