

Preset counters electronic

1 or 2 presets, PNP, NPN logic

Display LCD, 6-digits, programmable

NE134



NE134 - LCD Preset counter

Features

- Preset counter with two presets
- Display 6-digits
- Batch counter, totalizer
- Operating mode, start count, scaling factor programmable
- Connection: Incremental encoder or digital sensors
- Step and trailing preset programmable
- Interface RS485

Technical data - electrical ratings

Voltage supply	24/48 VAC $\pm 10\%$ (50/60 Hz) 85...265 VAC (50/60 Hz) 12...30 VDC
Power consumption	5 VA, 5 W
Sensor supply	24/48 VAC: 10-26 VDC/60 mA 85...265 VAC: 24 VDC $\pm 20\%$ /100 mA 12...30 VDC: 9-28 VDC/100 mA
Display	LCD, 7-segment display, 2-lines, backlit
Number of digits	6-digits Totalizer in 2 steps (8-digits)
Digit height	7 mm (position value) 4 mm (preset)
Function	Preset counter Main counter with 2 presets Batch counter with 1 preset Totalizer
Scaling factor	0.0001...9999.99
Count modes	Adding or subtracting Difference counting A-B Total (parallel) A+B Up/Down A 90° B phase evaluation
Counting frequency	Main counter: 3 Hz, 25 Hz or 10 kHz Batch counter: approx. 20 Hz
Presets	1 preset, 2 presets
Operating modes	Step preset, Trailing preset
Data memory	>10 years in EEPROM
Reset	Button, electric or automatic
Keylock	Yes, electric (keylock)
Outputs electronic	Optocoupler
Outputs relay	Normally open or closed, programmable
Output holding time	0.01...99.99 s

Technical data - electrical ratings

Interface	RS485
Standard DIN EN 61010-1	Protection class II Overvoltage category II Pollution degree 2
Emitted interference	DIN EN 61000-6-4
Interference immunity	DIN EN 61000-6-2
Programmable parameters	Measuring units, sensor logic Operating modes Scaling factor Count mode
Approval	UL approval / E63076

Preset counters electronic

1 or 2 presets, PNP, NPN logic

Display LCD, 6-digits, programmable

NE134

Part number

NE134. **AX01**

		<u>Voltage supply</u>
1		24 / 48 VAC
2		85...265 VAC
3		12...30 VDC
		<u>Outputs</u>
1		Relay outputs
2		Electronic outputs
		<u>Interface</u>
0		Without interface
1		RS485

Accessories

Adaptor plates

Z 118.033	Adaptor plate for screw mount, face 60 x 75 mm
Z 118.034	Adaptor plate for clip mount, face 53.2 x 53.2 mm
Z 118.035	Adaptor plate for clip mount, face 60 x 75 mm

Technical data - mechanical design

Ambient temperature	0...+50 °C
Storage temperature	-20...+70 °C
Relative humidity	80 % non-condensing
Connection	Plug-in screw terminal connector
Core cross-section	1.5 mm ²
Protection DIN EN 60529	IP 65 (face with seal)
Operation / keypad	Membrane with softkeys
Housing type	Built-in housing
Dimensions W x H x L	48 x 48 x 100 mm
Mounting depth	108 mm
Mounting	Clip frame for built-in housing
Cutout dimensions	45 x 45 mm (+0.6)
Weight approx.	150 g (12-30 VDC/85-265 VAC), 250 g (24/48 VAC)
Materials	Housing: Makrolon 6485 (PC) Keypad: Polyester

Trigger level

Comparator inputs	Input circuit
Inputs	PNP- / NPN-logic
Input level	Programmable
Input level Low	0...2 VDC
Input level High	3...40 VDC
Input resistance	3 kΩ
Relay outputs	Output circuit
Switching voltage max.	250 VAC / 110 VDC
Switching current max.	1 A
Switching capacity max.	150 VA / 30 W
Relay responding time	5 ms
Electronical outputs	Output circuit
	Optocoupler short-circuit proof
Switching voltage max.	40 V
Switching current max.	25 mA

Preset counters electronic

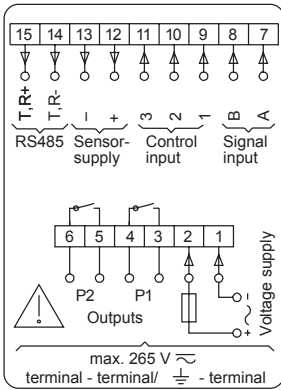
1 or 2 presets, PNP, NPN logic

Display LCD, 6-digits, programmable

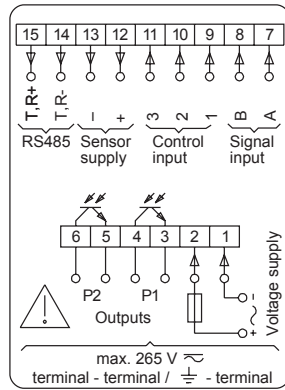
NE134

Connection diagram

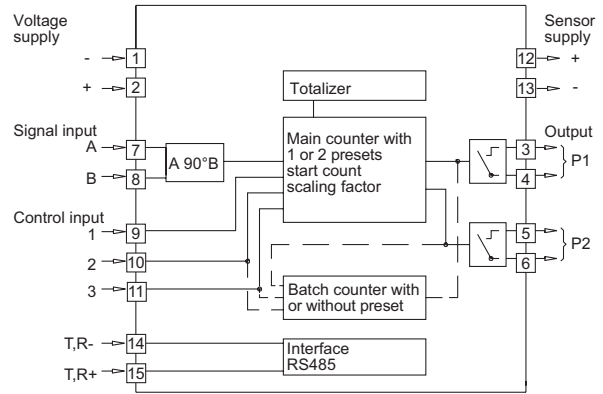
Relay outputs



Electronic outputs



Block circuit diagram



Dimensions

