

Preset counters electronic

2 presets, meter counters PTB approved

Display LED, 8-digits, programmable

NE215



NE215 - PTB Preset counter

Features

- PTB Meter counter with two presets
- Display 8-digits
- Batch counter, totalizer, hour counter
- Measurements in cm and mm
- Connection: PTB encoder
- Batch counter with preset and multiplier
- Interface RS232 or RS422/RS485

Technical data - electrical ratings

Voltage supply	115 VAC \pm 10 % (50/60 Hz) 230 VAC +6/-10 % (50/60 Hz) 24 VDC \pm 10 %
Power consumption	7 VA, 6 W
Sensor supply	12...26 VDC / max. 80 mA
Display	LED, 7-segment display
Number of digits	6-digits - preset counter 8-digits - totalizer
Digit height	7.6 mm
Function	Preset counter Main counter with 2 presets Batch counter with 1 preset Totalizer Hour counter
Scaling factor	0.0001...9999.99
Multitplier / batch counter	1...999
Count mode	A 90° B phase evaluation
Counting frequency	Max. 10 kHz
Preset	2 presets
Operating mode	Step preset
Data memory	>10 years in EEPROM
Reset	Button, electric or automatic
Outputs relay	Potential-free change-over contact for main counter Normally open/closed potential-free for B1
Output holding time	0.01...99.99 s
Interfaces	RS232, RS485
Standard DIN EN 61010-1	Protection class II Overvoltage category II Pollution degree 2
Emitted interference	DIN EN 61000-6-3
Interference immunity	DIN EN 61000-6-2

Technical data - electrical ratings

Programmable parameters	Scaling factor Sensor logic Printer trigger
PTB approval	1.3 / 93.15

Preset counters electronic

2 presets, meter counters PTB approved

Display LED, 8-digits, programmable

NE215

Part number

NE215.

	1		AX0	
--	---	--	-----	--

					<u>Display</u>
				5	In cm, 9999.99 50 pulses/rev. w/o interface/RS232
				6	In mm, 999.999 500 pulses/rev. w/o interface/RS232
				7	In cm, 9999.99 50 pulses/rev. at RS232/RS485
				8	In mm, 999.999 500 pulses/rev. at RS232/RS485
					<u>Voltage supply</u>
	2				115 / 230 VAC
	3				24 VDC
					<u>Outputs</u>
	1				Relay outputs, B1 normally open
					<u>Interface</u>
0					Without interface
1					RS232
2					RS232/RS485

Technical data - mechanical design

Ambient temperature	0...+50 °C
Storage temperature	-20...+70 °C
Relative humidity	80 % non-condensing
Connection	Plug-in screw terminal connector
Core cross-section	1.5 mm ²
Protection DIN EN 60529	IP 65 (face with seal)
Operation / keypad	10 figure keypad with 5 function keys
Housing type	Built-in housing
Dimensions W x H x L	72 x 72 x 105 mm
Mounting depth	105 mm
Mounting	Clip frame for built-in housing
Cutout dimensions	68 x 68 mm (+0.7)
Weight approx.	450 g (AC), 320 g (DC)
Materials	Housing: Makrolon 6485 (PC) Keypad: Polyester

Trigger level

Optocoupler inputs	Input circuit
Control inputs	PNP- / NPN-logic

Count input	
Trigger current	9...16 mA
Switch-off current	<0.5 mA
Input resistance	1.65 kΩ

Reset input	
Trigger current	5...8 mA
Switch-off current	<0.5 mA
Input resistance	3.3 kΩ

Relay outputs	Output circuit
Switching voltage max.	250 VAC / 110 VDC
Switching current max.	1 A
Switching capacity max.	150 VA / 30 W
Relay responding time	5 ms

Electronical outputs PNP-switching transistor	Output circuit Open collector
Switching voltage	24 VDC ±20 %
Switching current max.	10 mA (AC) 50 mA (DC)

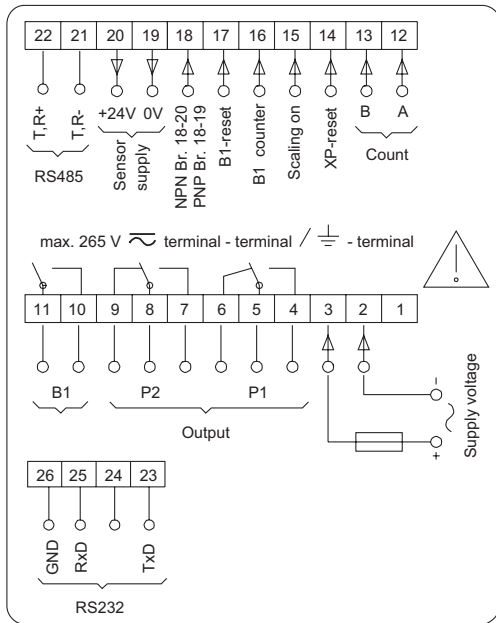
NPN-switching transistor	Open collector
Switching voltage max.	35 V
Switching current max.	50 mA

Preset counters electronic

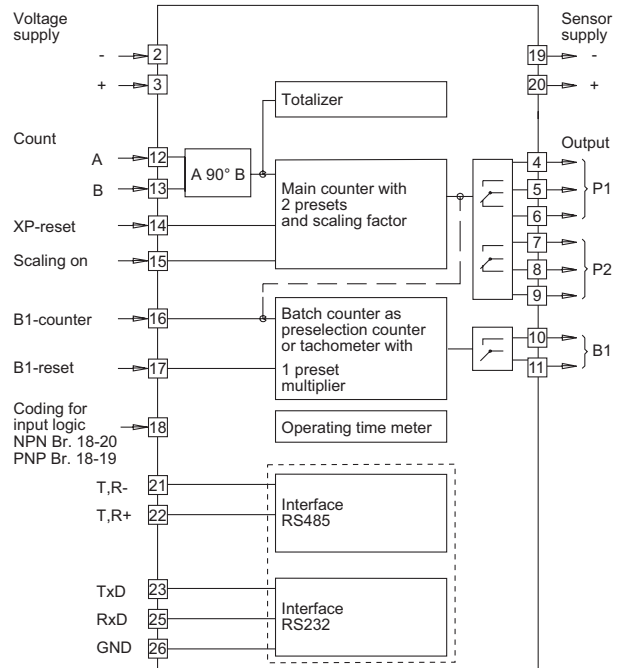
2 presets, meter counters PTB approved
Display LED, 8-digits, programmable

NE215

Connection diagram



Block circuit diagram



Preset counters electronic
2 presets, meter counters PTB approved
Display LED, 8-digits, programmable

NE215

Dimensions

