

Incremental encoders

Solid shaft $\varnothing 6$ mm with synchro flange

100...1024 pulses per revolution

OG 71



OG 71

Features

- Robust aluminium housing
- Encoder with solid shaft $\varnothing 6$ mm
- Optical sensing method
- Synchro flange
- Very high resistance to shock
- Output stage HTL or TTL
- Output stage TTL with regulator UB 9...26 VDC

Technical data - electrical ratings

Voltage supply	9...26 VDC 5 VDC ± 5 %
Consumption w/o load	≤ 100 mA
Pulses per revolution	100...1024
Phase shift	$90^\circ \pm 20^\circ$
Scan ratio	40...60 %
Reference signal	Zero pulse, width 90°
Sensing method	Optical
Output frequency	≤ 120 kHz
Output signals	A, B, C + inverted
Output stages	HTL TTL/RS422
Interference immunity	EN 61000-6-2
Emitted interference	EN 61000-6-3
Approvals	CE, UL approval / E256710

Technical data - mechanical design

Size (flange)	$\varnothing 58$ mm
Shaft type	$\varnothing 6$ mm solid shaft
Shaft loading	≤ 30 N axial ≤ 40 N radial
Flange	Synchro flange
Protection DIN EN 60529	IP 66
Operating speed	≤ 10000 rpm (mechanical)
Operating torque typ.	1 Ncm
Rotor moment of inertia	25 gcm ²
Materials	Housing: aluminium die-cast Shaft: stainless steel
Operating temperature	$-20...+85$ °C
Resistance	IEC 60068-2-6 Vibration 10 g, 10-2000 Hz IEC 60068-2-27 Shock 300 g, 6 ms
Explosion protection	II 3 G Ex nA IIC T4 Gc X (gas) II 3 D Ex tc IIIC T85°C Dc X (dust)
Connection	Connecting terminal
Weight approx.	300 g

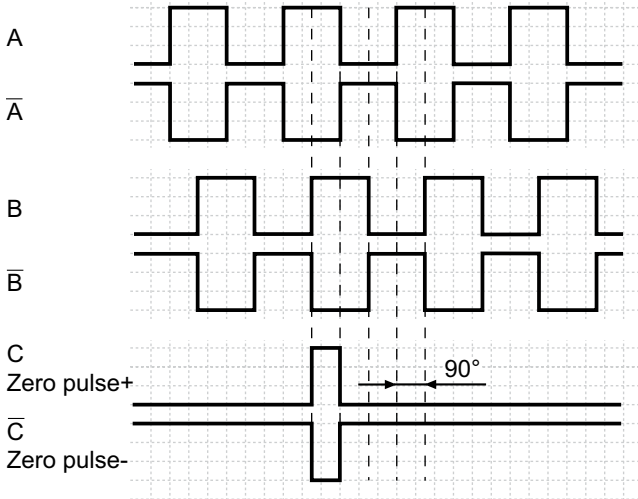
Incremental encoders

Solid shaft $\varnothing 6$ mm with synchro flange
100...1024 pulses per revolution

OG 71

Output signals

At positive rotating direction

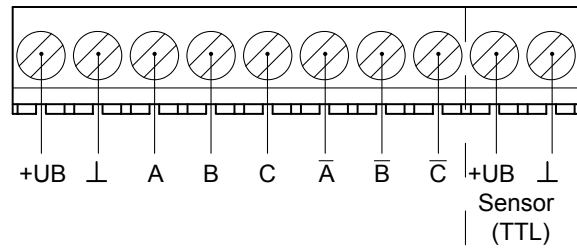


Terminal significance

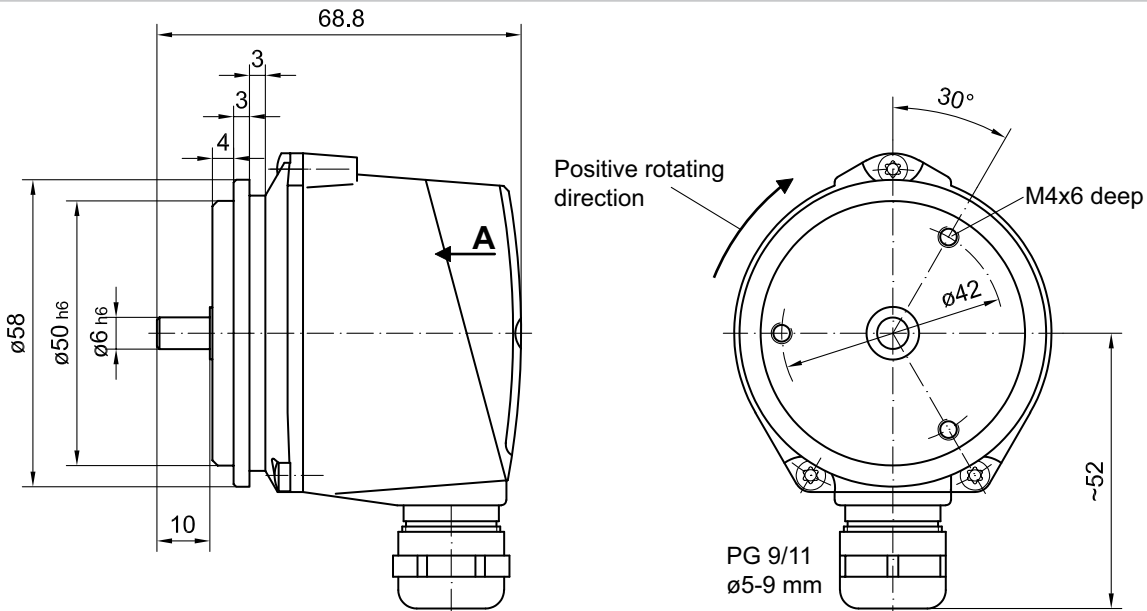
+UB	Voltage supply (for the encoder)
\perp ; \downarrow ; GND; 0V	Ground (for the signals)
\perp ; \nearrow	Earth ground (chassis)
A; A+; K1	Output signal channel 1
\bar{A} ; A-; $\bar{K}1$	Output signal channel 1 inverted
B; B+; K2	Output signal channel 2 (offset by 90° to channel 1)
\bar{B} ; B-; $\bar{K}2$	Output signal channel 2 (offset by 90° to channel 1) inverted
C; R; R+; K0	Zero pulse (reference signal)
\bar{C} ; \bar{R} ; R-; $\bar{K}0$	Zero pulse (reference signal) inverted

Terminal assignment

View A - Connecting terminal



Dimensions



Incremental encoders
Solid shaft $\varnothing 6$ mm with synchro flange
100...1024 pulses per revolution

OG 71