

# Incremental encoders

## Solid shaft with EURO flange B10

### 300...5000 pulses per revolution

#### POG 10



POG 10

#### Technical data - electrical ratings

Voltage supply	9...30 VDC 5 VDC $\pm$ 5 %
Consumption w/o load	$\leq$ 100 mA
Pulses per revolution	300...5000
Phase shift	90° $\pm$ 20°
Scan ratio	40...60 %
Reference signal	Zero pulse, width 90°
Sensing method	Optical
Output frequency	$\leq$ 120 kHz $\leq$ 300 kHz (on request)
Output signals	K1, K2, K0 + inverted Error output (only EMS)
Output stages	HTL-P (power linedriver) TTL/RS422
Interference immunity	EN 61000-6-2
Emitted interference	EN 61000-6-3
Approvals	CE, UL approval / E256710

#### Features

- TTL output driver for cable length up to 500 m
- High resistance to shock and vibrations
- EURO-flange B10 / solid shaft  $\varnothing$ 11 mm
- Big terminal box, turn by 180°

#### Optional

- Function control with EMS  
(Enhanced Monitoring System)
- Redundant sensing with two terminal boxes
- Second shaft end
- Housing foot (B3)
- With heating up to -50°C

#### Technical data - mechanical design

Size (flange)	$\varnothing$ 115 mm
Shaft type	$\varnothing$ 11 mm solid shaft
Admitted shaft load	$\leq$ 300 N axial $\leq$ 450 N radial
Flange	EURO flange B10
Protection DIN EN 60529	IP 66
Operating speed	$\leq$ 12000 rpm (mechanical)
Operating torque typ.	2 Ncm
Rotor moment of inertia	200 gcm <sup>2</sup>
Materials	Housing: aluminium die-cast Shaft: stainless steel
Operating temperature	-40...+100 °C -25...+100 °C (>3072 pulses per revolution) -50...+100 °C (optional)
Resistance	IEC 60068-2-6 Vibration 20 g, 10-2000 Hz IEC 60068-2-27 Shock 200 g, 6 ms
Explosion protection	II 3 G Ex nA IIC T4 Gc (gas) II 3 D Ex tc IIIC T135°C Dc (dust)
Connection	Terminal box 2x terminal box (with option M)
Weight approx.	1.9 kg, 2.1 kg (with option M)

Subject to modification in technic and design. Errors and omissions excepted.



# Incremental encoders

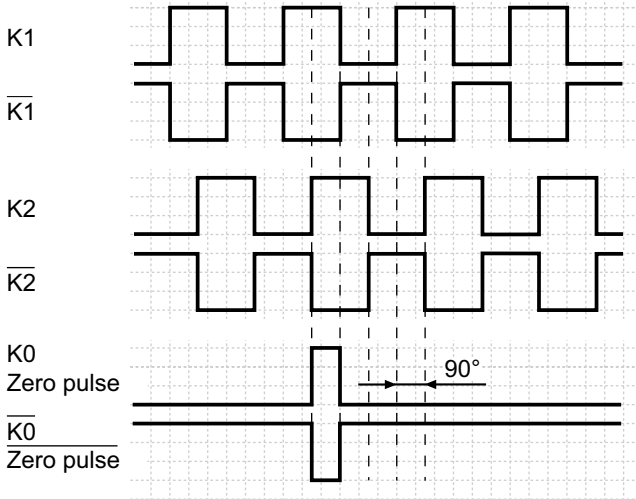
## Solid shaft with EURO flange B10

### 300...5000 pulses per revolution

## POG 10

### Output signals

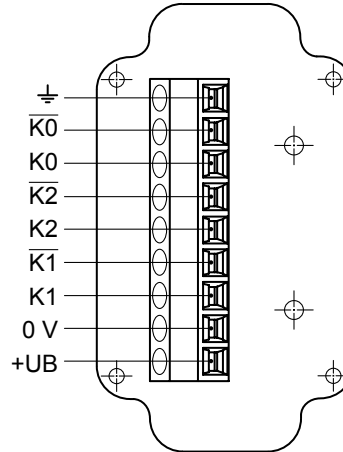
At positive rotating direction



### Terminal assignment

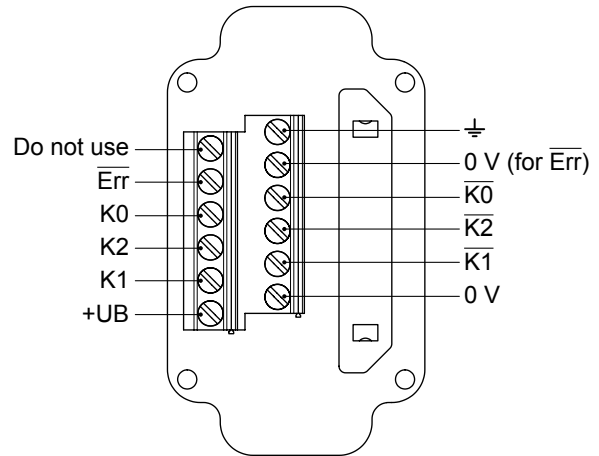
#### View A

Connecting terminal in terminal box



#### Option EMS: View A

Connecting terminal in terminal box



#### Option EMS: LED status / Error output

Flash light red*	Error of signal sequence, zero pulse or pulses (Error output = HIGH-LOW alternation)
Red	Overload output driver (Error output = LOW)
Flash light green	Encoder o.k., rotating (Error output = HIGH)
Green	Encoder o.k., stopped (Error output = HIGH)
No light	No output voltage connection or wrong connection (Error output = LOW)

\* Only at rotating encoder

# Incremental encoders

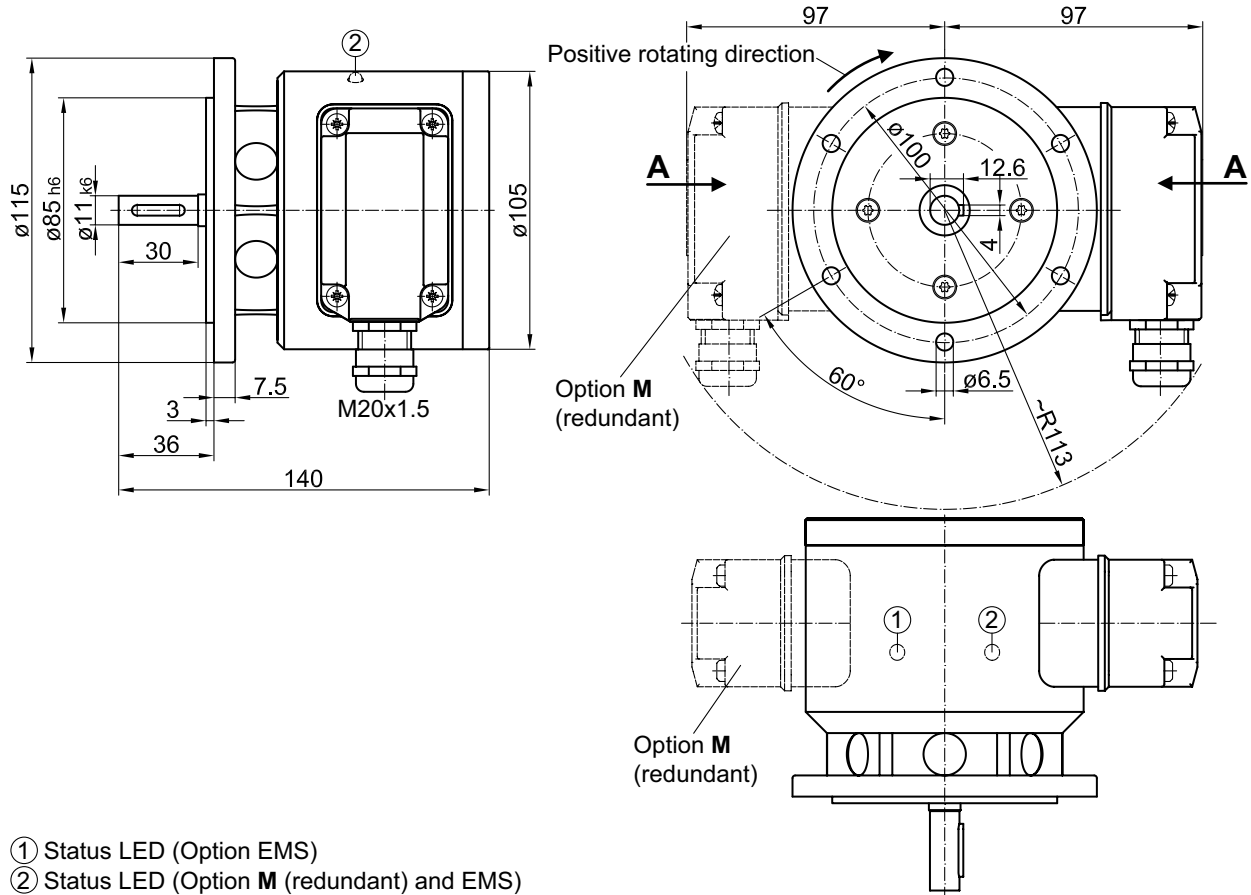
## Solid shaft with EURO flange B10

### 300...5000 pulses per revolution

POG 10

#### Dimensions

POG 10 (POG 10.2, POG 10 M, POG 10.2 M) - Version with Euro flange (B10)



POG 10 - Version with housing foot (B3)

