

Tachometers

2 limits, PNP, NPN logic

Display LCD, 6-digits, programmable

TA134



TA134 - LCD tachometer

Technical data - electrical ratings

Voltage supply	24/48 VAC $\pm 10\%$ (50/60 Hz) 85...265 VAC (50/60 Hz) 12...30 VDC
Power consumption	5 VA, 5 W
Sensor supply	24/48 VAC: 10-26 VDC/60 mA 85...265 VAC: 24 VDC $\pm 20\%$ /100 mA 12...30 VDC: 9-28 VDC/100 mA
Display	LCD, 7-segment display, 2-lines, backlit
Number of digits	6-digits
Digit height	7 mm (position value) 4 mm (preset)
Display unit	1/s, 1/min, 1/h programmable
Function	Tachometers
Programmable parameters	Measuring units 1/h, 1/min, 1/s Scaling factor Sensor logic Control inputs Count frequency
Measuring principle	Period duration measurement
Signal inputs	Comparator inputs
Input logic	NPN / PNP
Control inputs	3 programmable
Control functions	Stop, Hold, Print
Counting frequency	3 Hz, 25 Hz, 10 kHz programmable
Tacho frequency	25 Hz, 40 kHz programmable
Scaling factor	0.0001...9999.99
Data memory	>10 years in EEPROM
Outputs electronic	Optocoupler
Outputs relay	Normally open or closed, programmable
Interface	RS485

Features

- Tachometer for rotation speed and velocity
- Display 6-digits
- Connection: One-channel digital sensor or potential-free contact
- Two limits and scaling
- Batch counter with impulse evaluation
- Interface RS485

Technical data - electrical ratings

Standard	Protection class II
DIN EN 61010-1	Overvoltage category II
	Pollution degree 2
Emitted interference	DIN EN 61000-6-4
Interference immunity	DIN EN 61000-6-2
Approval	UL approval / E63076

Technical data - mechanical design

Ambient temperature	0...+50 °C
Storage temperature	-20...+70 °C
Relative humidity	80 % non-condensing
Connection	Plug-in screw terminal connector
Core cross-section	1.5 mm ²
Protection DIN EN 60529	IP 65 (face with seal)
Operation / keypad	Membrane with softkeys
Housing type	Built-in housing
Dimensions W x H x L	48 x 48 x 100 mm
Cutout dimensions	45 x 45 mm (+0.6)
Mounting depth	100 mm
Mounting	Clip frame for built-in housing
Weight approx.	150 g (12-30 VDC/85-265 VAC), 250 g (24/48 VAC)
Material	Housing: Makrolon 6485 (PC)

Tachometers

2 limits, PNP, NPN logic

Display LCD, 6-digits, programmable

TA134

Part number

TA134. **AX01**

Voltage supply

- 1 24 / 48 VAC
- 2 85...265 VAC
- 3 12...30 VDC

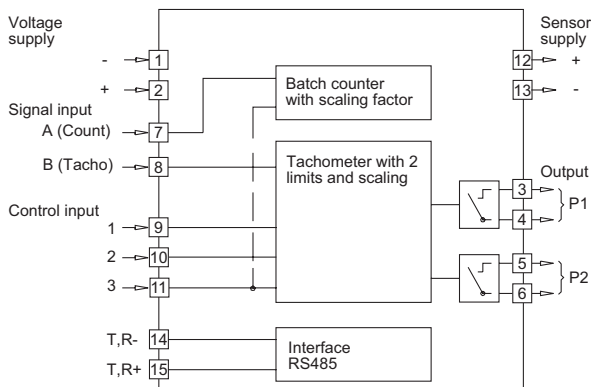
Outputs

- 1 Relay outputs
- 2 Optocoupler outputs

Interface

- 0 Without interface
- 1 RS485

Block circuit diagram



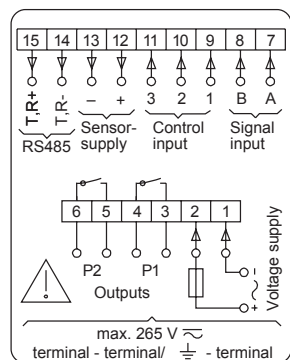
Accessories

Adaptor plates

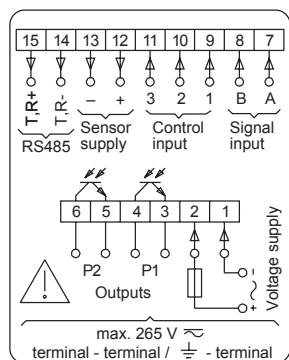
- Z 118.033 Adaptor plate for screw mount, face 60 x 75 mm
- Z 118.034 Adaptor plate for clip mount, face 53.2 x 53.2 mm
- Z 118.035 Adaptor plate for clip mount, face 60 x 75 mm

Connection diagram

Relay outputs



Electronic outputs



Trigger level

Comparator inputs	Input circuit
Inputs	PNP- / NPN-logic
Input level	Programmable
Input level Low	0...2 VDC
Input level High	3...40 VDC
Input resistance	3 kΩ
Relay outputs	Output circuit
Switching voltage max.	250 VAC / 110 VDC
Switching current max.	1 A
Switching capacity max.	150 VA / 30 W
Relay responding time	5 ms

Electronical outputs	Output circuit
	Optocoupler short-circuit proof
Switching voltage max.	40 V
Switching current max.	25 mA

Dimensions

