

Tachometers

Ratio display, 2 limits, analog output

Large 14 mm display LED, 6-digits, programmable

TA202



TA202 - LED tachometer

Technical data - electrical ratings

Voltage supply	24/48 VAC $\pm 10\%$ (50/60 Hz) 115/230 VAC $\pm 10\%$ (50/60 Hz) 24 VDC $\pm 10\%$
Power consumption	7 VA, 5 W
Sensor supply	12...26 VDC / max. 100 mA
Display	LED, 7-segment display
Number of digits	6-digits
Digit height	14 mm
Display unit	1/s, 1/min, 1/h programmable
Function	Tachometer, ratio display
Programmable parameters	Assignment F1, F2 or F3 Calculating functions 2 limits, analogue output Slave pointer
Measuring principle	Period duration measurement
Calculating functions	Difference F1-F2 Ratio F1:F2 Stretch-/shrinking (F2-F1):F1 Flow Pulse rate measurement
Signal inputs	Comparator inputs
Input logic	NPN / PNP
Control inputs	2 Inputs
Control functions	Start, Stop
Counting frequency	F1: 10 kHz / F2: 25 Hz, 40 kHz
Scaling factor	0.0001...9999.99
Data memory	>10 years in EEPROM
Outputs electronic	Optocoupler
Analog output	0(2)...10 V, 0(4)...20 mA Resolution 12 bit Temp. coeff. typ. ± 20 ppm/ $^{\circ}$ C
Outputs relay	Change-over contact, floating
Interfaces	RS232, RS422, RS485

Features

- Tachometer for 2 rotation speeds/velocities
- Display 6-digits
- Connection: Two one-channel digital sensors or potential-free contact
- Two limits
- Ratio display, peak value memory
- Impulse evaluation programmable
- Input F1 with phase evaluation
- Interface RS232, RS422, RS485

Description

Two limits „P1“/„P2“ that can be assigned at will enable monitoring of production processes. Two tachos to capture and display rotation speed and velocity as "F1" and "F2". "F3" allows recall and display of a programmed calculating function, for example ratio, difference, stretching/shrinking, flow, time elapsed with start and stop signal, impulse rate measurement, period or impulse duration.

Technical data - electrical ratings

Standard DIN EN 61010-1	Protection class II Overvoltage category II Pollution degree 2
Emitted interference	DIN EN 61000-6-3
Interference immunity	DIN EN 61000-6-2
Approval	UL approval / E63076

Technical data - mechanical design

Ambient temperature	0...+50 $^{\circ}$ C
Storage temperature	-20...+70 $^{\circ}$ C
Relative humidity	80 % non-condensing
Connection	Plug-in screw terminal connector
Core cross-section	1.5 mm ²
Protection DIN EN 60529	IP 65 (face with seal)
Operation / keypad	Membrane with softkeys
Housing type	Built-in housing
Dimensions W x H x L	96 x 48 x 124 mm
Cutout dimensions	92 x 44 mm (-0.6)
Mounting depth	124 mm
Mounting	Clip frame for built-in housing
Weight approx.	350 g (AC), 250 g (DC)
Material	Housing: Makrolon 6485 (PC)

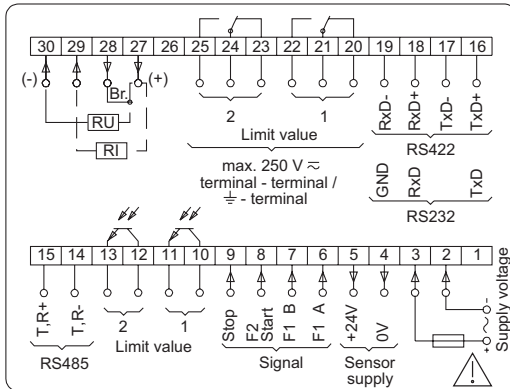
Tachometers

Ratio display, 2 limits, analog output

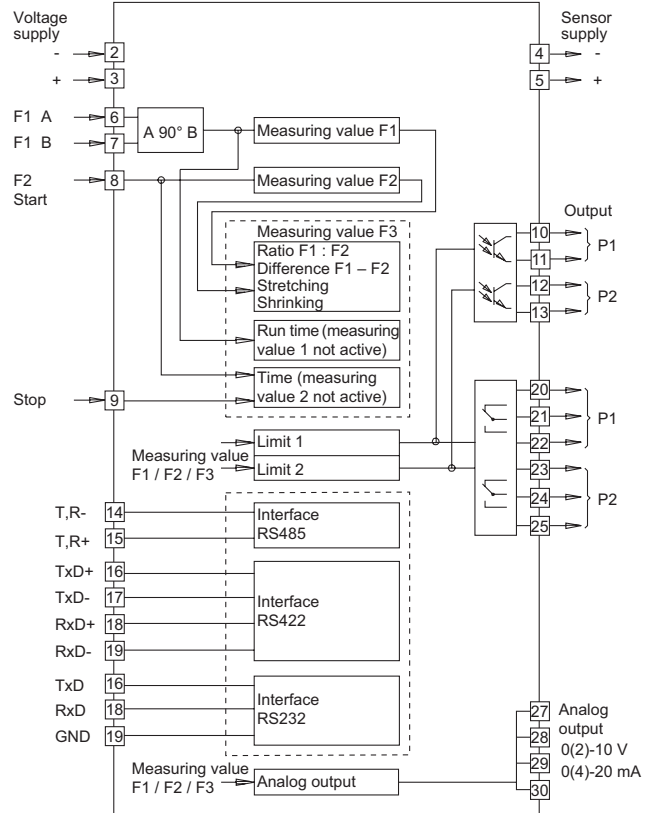
Large 14 mm display LED, 6-digits, programmable

TA202

Connection diagram



Block circuit diagram



Trigger level

Comparator inputs	Input circuit
Inputs	PNP- / NPN-logic
Input level	Programmable
Input level Low	0...2 VDC
Input level High	3...40 VDC
Input resistance	3 kΩ

Relay outputs	Output circuit
Switching voltage max.	250 VAC / 110 VDC
Switching current max.	1 A
Switching capacity max.	150 VA / 30 W
Relay responding time	5 ms

Electronical outputs	Output circuit
	Optocoupler short-circuit proof
Switching voltage max.	40 V
Switching current max.	15 mA
Residual voltage	<1 V

Tachometers

Ratio display, 2 limits, analog output

Large 14 mm display LED, 6-digits, programmable

TA202

Part number

TA202. AXA1

Voltage supply

- 1 24 / 48 VAC
- 2 115 / 230 VAC
- 3 24 VDC

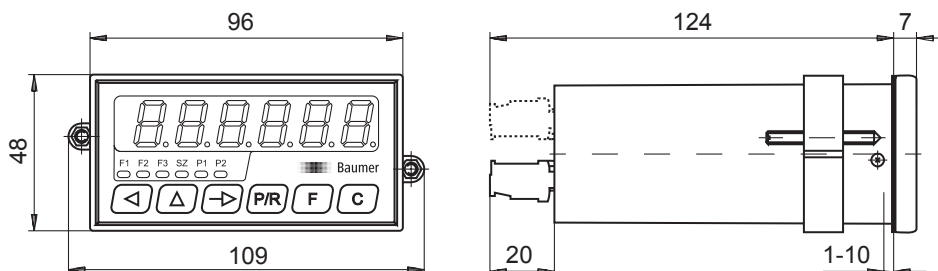
Outputs

- 0 Optocoupler outputs
- 1 Relay and optocoupler outputs
- 2 Relay and optocoupler outputs / analogue output

Interface

- 0 Without interface
- 1 RS485
- 2 RS422
- 3 RS232

Dimensions



Tachometers

Ratio display, 2 limits, analog output

Large 14 mm display LED, 6-digits, programmable

TA202