



features

- flashable LED dark field illumination
- white
- radiation angle 120°
- 24 V
- M8/4-pin connector (cable has to be ordered separately)
- diameter: 120 mm
- connector and pin assignment suitable for VeriSens® XC series

general data

manufacturer BÜchner Lichtsysteme GmbH

illumination data

color white
illumination mode flashable

mechanical data

construction design dark field illumination
dimensions Ø 120 mm
dimensions Ø external 74 mm
luminous area Ø internal 68 mm
material aluminium (anodized, black)
material of cover glass acrylic
weight ≤ 100 g

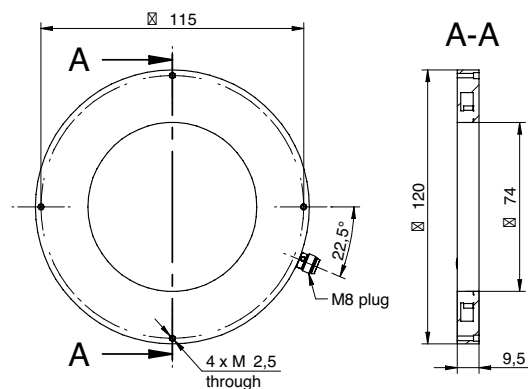
electrical data

number of poles 4
illumination connector M8 connector
current ≤ 0,3 A
current at flash mode ≤ 0,6 A
voltage at flash mode ≤ 48 V
duty cycle 0-10%
maximum flash duration 1 ms

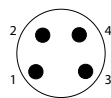
environmental conditions

operating temperature max. 50 °C

dimension drawing



pin assignment



M8	signal
1:	LED +24V (pulsing 24-48 V)
2:	N.C.
3:	LED - (GND)
4:	N.C.