



features

- flashable LED ring light
- infrared (850 nm)
- radiation angle 120°
- 24 V
- M8/4-pin connector (cable has to be ordered separately)
- diameter: 101 mm
- connector and pin assignment suitable for VeriSens® XC series

general data

manufacturer Büchner Lichtsysteme GmbH

illumination data

color infrared
illumination mode flashable

mechanical data

construction design ring light
dimensions Ø 101 mm
height 24 mm
dimensions Ø external 101 mm
luminous area Ø internal 67 mm
material aluminium (anodized)
material of cover glass acrylic
weight ≤ 160 g

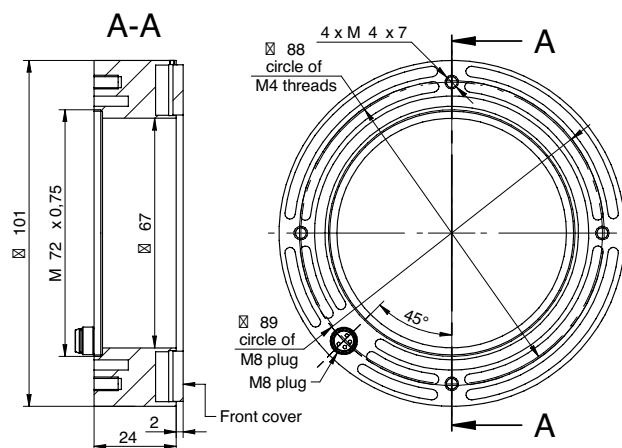
electrical data

number of poles 4
illumination connector M8 connector
current ≤ 0,35 A
current at flash mode ≤ 0,35 A
voltage at flash mode ≤ 48 V
duty cycle 0-10%
maximum flash duration 1 ms

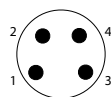
environmental conditions

operating temperature max. 50 °C

dimension drawing



pin assignment



M8	signal
1:	LED +24V (pulsing 24-48 V)
2:	N.C.
3:	LED - (GND)
4:	N.C.