



### features

- flashable LED bar light
- SH white
- radiation angle 120°
- 24 V
- M8/4-pin connector (cable has to be ordered separately)
- dimensions: 78 mm × 25 mm × 23 mm housing
- connector and pin assignment suitable for VeriSens® XC series

### general data

manufacturer Büchner Lichtsysteme GmbH

### illumination data

color SH white

illumination mode flashable

### mechanical data

construction design bar light

dimensions 78 mm × 25 mm × 23 mm

material aluminium (anodized)

material of cover glass acrylic

weight ≤ 80 g

### electrical data

number of poles 4

illumination connector M8 connector

current ≤ 0,3 A

current at flash mode ≤ 0,42 A

voltage at flash mode ≤ 48 V

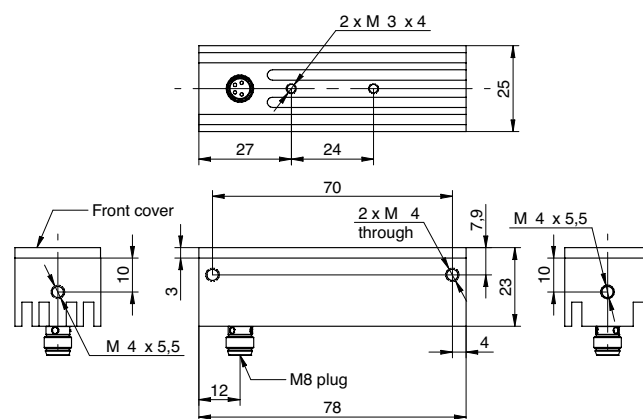
duty cycle 0-10%

maximum flash duration 1 ms

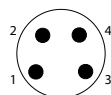
### environmental conditions

operating temperature max. 50 °C

### dimension drawing



### pin assignment



M8	signal
1:	LED +24V (pulsing 24-48 V)
2:	N.C.
3:	LED - (GND)
4:	N.C.