

Accessories

Mounting accessories

Spring washer for encoders with $\varnothing 58$ mm housing



Features

- Flexible spring coupling
- For applications with little radial misalignment

Description

Fix spring coupling onto flange by help of the attached screws. Push encoder onto the drive shaft and mount spring coupling onto the intended contact surface.

Part number

Z 119.023 Spring coupling for encoders with $\varnothing 58$ mm housing

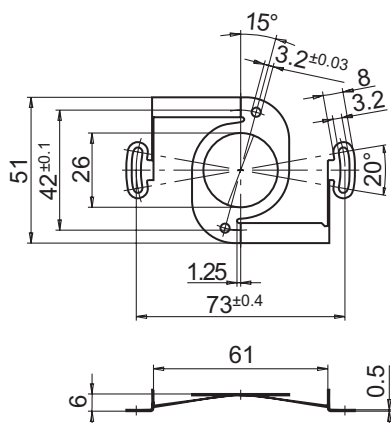
Scope of delivery

Included: spring coupling, four screws M3 x 6 with four spring washers

Suitable for

G0333 , G0A2H, G0M2H, GE333, GI330 , GI331 , GI332 , GI333 , GI341, GI342, GXA2S, GXM2S

Dimensions



Dimension

