

Accessories

Mounting accessories

Spring washer for one-side attachment, length 35 mm



Features

- For low-dynamic applications and constant movements

Description

Fix spring coupling onto flange by help of the attached screws. Push encoder onto the drive shaft and mount torque support onto the contact surface.

Part number

Z 119.050 Spring coupling for one-side attachment, length 35 mm

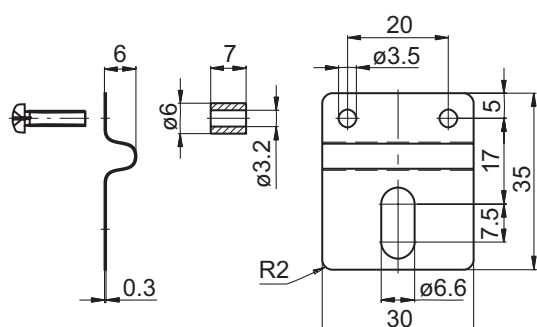
Scope of delivery

Included: spring coupling, two screws M3 x 12 with two spacer sleeves

Suitable for

G0A2H, G0AMH, G0M2H, G0MMH, G0P5H, G110H, G110S, G1M2H, G1MMH, G2M2H, G2MMH, GBA2H, GBA2S, GBAMH, GBAMS, GBM2H, GBM2S, GBMMH, GBMMS, GBP5H, GEMMH, GXA2S, GXAMS, GXM2S, GXM7S, GXMMS, GXP5S

Dimensions



Dimension

