

# Accessories

## Mounting accessories

### Spring washer for motor's fan guard



#### Features

- Quick, secure and easy mounting
- To be mounted on the motor's fan cover

#### Description

Fix spring coupling onto flange by help of the attached screws. Push encoder onto the drive shaft and mount spring coupling onto the contact surface.

#### Part number

Z 119.068 Spring coupling for motor's fan guard

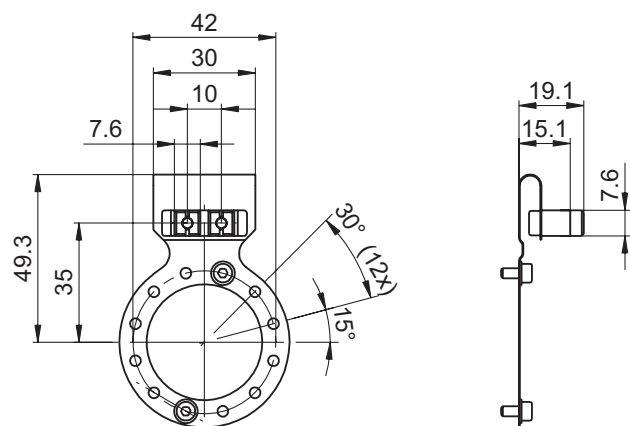
#### Scope of delivery

Included: spring coupling, two screws M3 x 6 with two lock washers

#### Suitable for

GI341, GI342

#### Dimensions



#### Dimension

