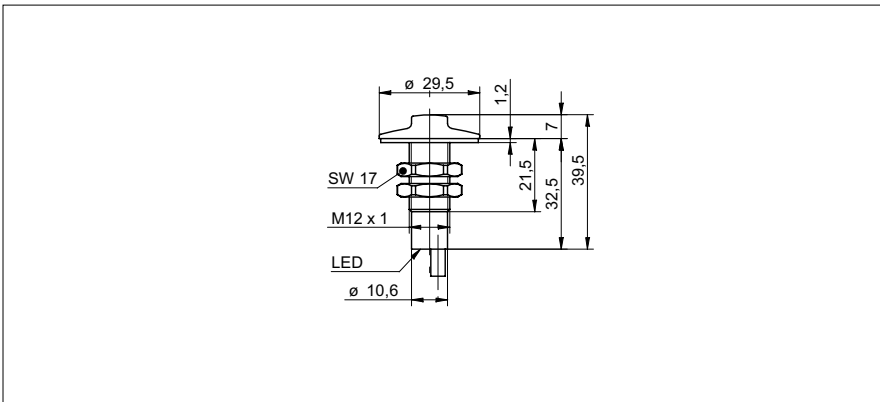


Capacitive proximity sensors

CFAK 12N1140/L

dimension drawing



general data

special type	liquid level sensor for wastewater
nominal sensing distance S_n	0,1 mm
mounting type	non-flush
GND electrode	no
temperature drift	$\pm 20 \%$
sensitivity adjustment	no
output indicator	LED yellow
measurement type	contact with medium

electrical data

voltage supply range +Vs	10 ... 30 VDC
current consumption max. (no load)	12 mA
output circuit	NPN make function (NO)
output current	< 200 mA
voltage drop Vd	< 2,5 VDC
switching frequency	< 15 Hz
short circuit protection	yes
reverse polarity protection	yes

mechanical data

type	cylindrical threaded
housing material	POM
material (screw nut)	POM
material (gasket)	EPDM50
dimension	12 mm
housing length	39,5 mm
connection types	cable, 2 m

ambient conditions

operating temperature	0 ... +50 °C
protection class	IP 67

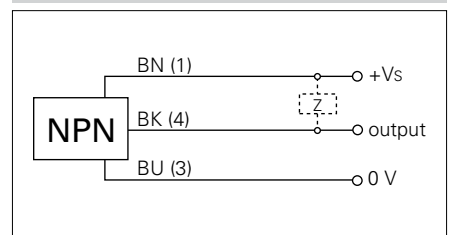
field of application

detection of non-conductive media	no
fill level detection through container	no
liquids in direct contact	yes
object detection / bulk goods	no

photo



connection diagram



- for installation in grounded metal container
- for use in contaminated media like blackwater
- switches in contact with highly conductive media