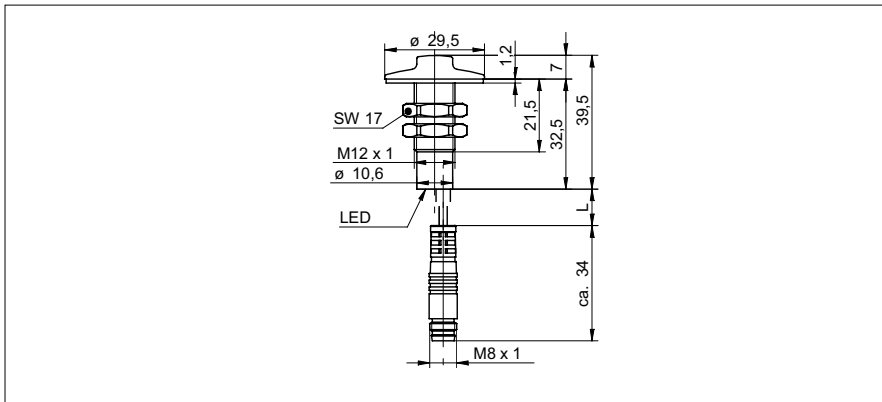


**Capacitive proximity sensors**

**CFAK 12P1140/KS35L**

**dimension drawing**



**general data**

special type	liquid level sensor for wastewater
nominal sensing distance $S_n$	0,1 mm
mounting type	non-flush
GND electrode	no
temperature drift	$\pm 20 \%$
sensitivity adjustment	no
output indicator	LED yellow
measurement type	contact with medium

**electrical data**

voltage supply range +Vs	10 ... 30 VDC
current consumption max. (no load)	12 mA
output circuit	PNP make function (NO)
output current	< 200 mA
voltage drop Vd	< 2,5 VDC
switching frequency	< 15 Hz
short circuit protection	yes
reverse polarity protection	yes

**mechanical data**

type	cylindrical threaded
housing material	POM
material (screw nut)	POM
material (gasket)	EPDM50
dimension	12 mm
housing length	39,5 mm
connection types	flylead connector M8, L=200 mm

**ambient conditions**

operating temperature	0 ... +50 °C
protection class	IP 67

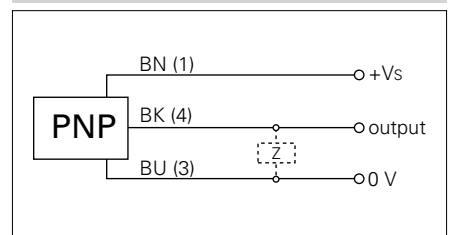
**field of application**

detection of non-conductive media	no
fill level detection through container	no
liquids in direct contact	yes
object detection / bulk goods	no

**photo**



**connection diagram**



- for installation in grounded metal container
- for use in contaminated media like blackwater
- switches in contact with highly conductive media