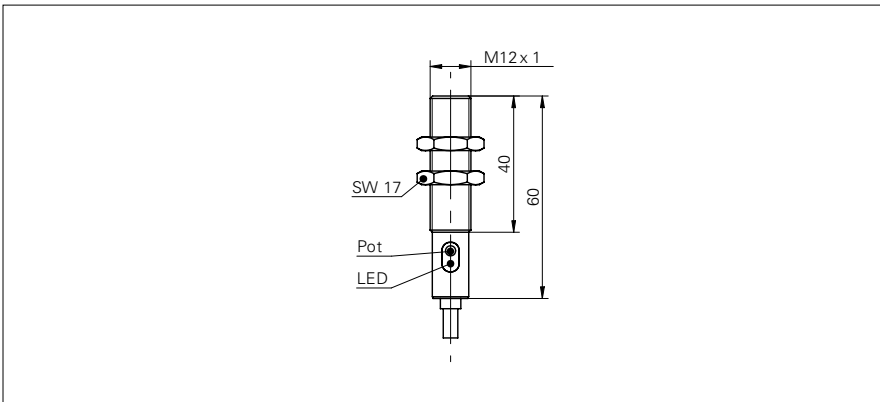


# Capacitive proximity sensors

## CFAM 12P1600

### dimension drawing



### general data

nominal sensing distance Sn	4 mm
nominal sensing distance Sn adjustable	0,5 ... 4 mm
mounting type	flush
GND electrode	yes
temperature drift	± 15 % (+10 ... +70 °C)
sensitivity adjustment	potentiometer, 240°
output indicator	LED yellow

### electrical data

voltage supply range +Vs	10 ... 30 VDC
current consumption max. (no load)	20 mA
output circuit	PNP make function (NO)
output current	< 200 mA
voltage drop Vd	< 1,5 VDC
switching frequency	< 50 Hz
short circuit protection	yes
reverse polarity protection	yes

### mechanical data

type	cylindrical threaded
housing material	brass nickel plated
dimension	12 mm
housing length	60 mm
connection types	cable, 2 m

### ambient conditions

operating temperature	-25 ... +75 °C
protection class	IP 65

### field of application

detection of non-conductive media	yes
fill level detection through container	yes
liquids in direct contact	no
object detection / bulk goods	yes

### photo



### connection diagram

