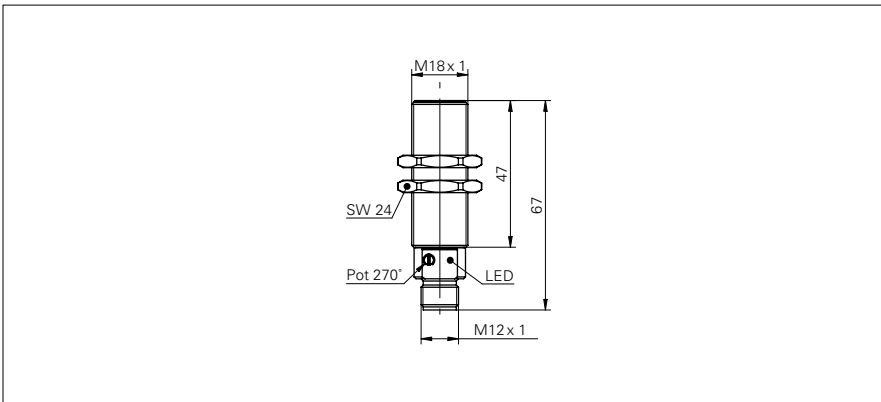


**Through beam sensors**

**FEAM 18N3150/S14**

**dimension drawing**



**general data**

type	through beam sensor
emitter / receiver	receiver
actual range $S_b$	16 m
nominal range $S_n$	20 m
alignment / soiled lens indicator	flashing light indicator
light indicator	LED yellow
sensitivity adjustment	potentiometer, 270°

**electrical data**

response time / release time	< 1 ms
voltage supply range +Vs	10 ... 30 VDC
current consumption max. (no load)	20 mA
current consumption typ.	20 mA
voltage drop Vd	< 1,8 VDC
output function	dark operate
output circuit	NPN
output current	< 200 mA
short circuit protection	yes
reverse polarity protection	yes

**mechanical data**

width / diameter	18 mm
height / length	67 mm
type	cylindrical threaded
housing material	brass nickel plated / PC
front (optics)	PC
connection types	connector M12 4 pin

**ambient conditions**

operating temperature	-25 ... +55 °C
protection class	IP 67

**photo**



**connection diagram**

