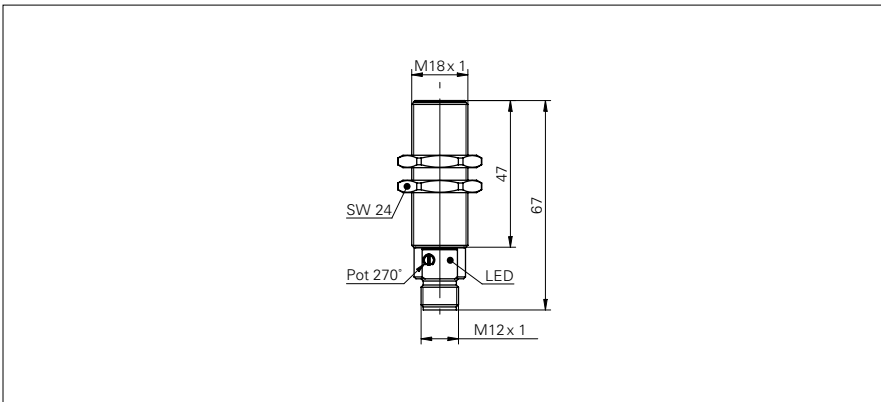


**Through beam sensors**

**FEAM 18P3150/S14**

**dimension drawing**



**general data**

|                                   |                          |
|-----------------------------------|--------------------------|
| type                              | through beam sensor      |
| emitter / receiver                | receiver                 |
| actual range $S_b$                | 16 m                     |
| nominal range $S_n$               | 20 m                     |
| alignment / soiled lens indicator | flashing light indicator |
| light indicator                   | LED yellow               |
| sensitivity adjustment            | potentiometer, 270°      |

**electrical data**

|                                    |               |
|------------------------------------|---------------|
| response time / release time       | < 1 ms        |
| voltage supply range +Vs           | 10 ... 30 VDC |
| current consumption max. (no load) | 20 mA         |
| current consumption typ.           | 20 mA         |
| voltage drop Vd                    | < 1,8 VDC     |
| output function                    | dark operate  |
| output circuit                     | PNP           |
| output current                     | < 200 mA      |
| short circuit protection           | yes           |
| reverse polarity protection        | yes           |

**mechanical data**

|                  |                          |
|------------------|--------------------------|
| width / diameter | 18 mm                    |
| height / length  | 67 mm                    |
| type             | cylindrical threaded     |
| housing material | brass nickel plated / PC |
| front (optics)   | PC                       |
| connection types | connector M12 4 pin      |

**ambient conditions**

|                       |                |
|-----------------------|----------------|
| operating temperature | -25 ... +55 °C |
| protection class      | IP 67          |

**photo**



**connection diagram**

