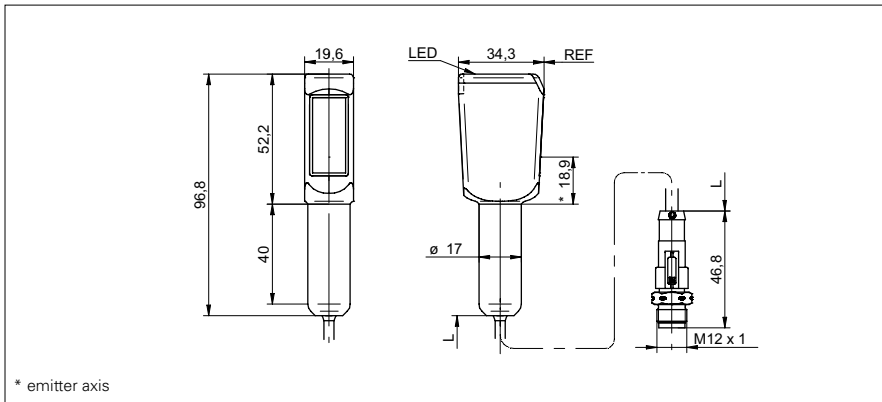


Diffuse sensors with background suppression

FHDH 14G6901/KS34A/IO

dimension drawing



* emitter axis

general data

| | |
|-------------------------------------|------------------------|
| type | background suppression |
| special type | hygienic design |
| light source | pulsed red LED |
| sensing distance T_w | 50 ... 400 mm |
| sensing range T_b (at T_w max.) | 20 ... 400 mm |
| sensing range T_b (at T_w min.) | 20 ... 50 mm |
| power on indication | LED green |
| output indicator | LED red |
| sensitivity adjustment | IO-Link |
| sensing distance adjustment | Teach-in |
| wave length | 660 nm |
| approvals/certificates | Ecolab EHEDG |

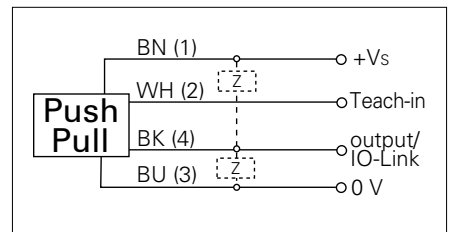
photo



electrical data

| | |
|------------------------------------|----------------------|
| response time / release time | < 1,8 ms |
| voltage supply range +Vs | 10 ... 30 VDC |
| current consumption max. (no load) | 40 mA |
| current consumption typ. | 35 mA |
| voltage drop Vd | < 2 VDC |
| output function | light / dark operate |
| output circuit | push-pull |
| output current | < 100 mA |
| short circuit protection | yes |
| reverse polarity protection | yes |

connection diagram



mechanical data

| | |
|------------------|---------------------------------|
| width / diameter | 19,6 mm |
| height / length | 52,2 mm |
| depth | 34,3 mm |
| type | rectangular |
| housing material | stainless steel 1.4404 (V4A) |
| front (optics) | PMMA |
| connection types | flylead connector M12, L=300 mm |



- Sensor FDA compliant, EHEDG certified and Ecolab approved
- IO-Link: output signal, service status, object presence
- sensitivity adjustable: via Teach-in wire input

Diffuse sensors with background suppression

FHDH 14G6901/KS34A/IO

ambient conditions

| | |
|-----------------------|----------------------|
| operating temperature | -30 ... +60 °C |
| protection class | IP 68/69K & proTect+ |
| storage temperature | -30 ... +70 °C |