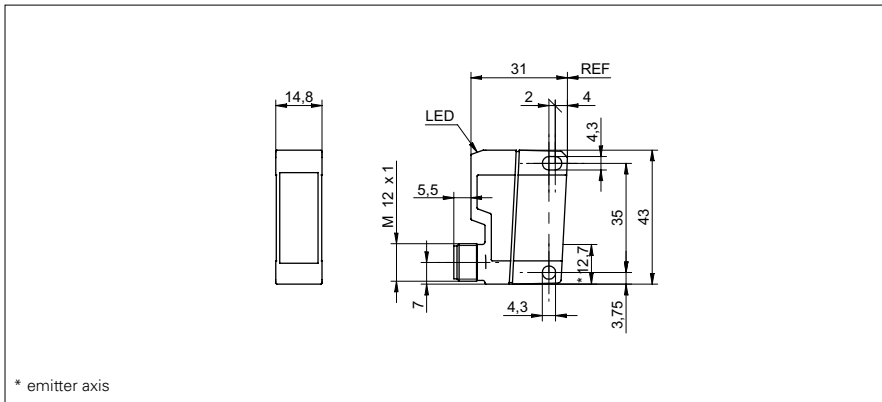


SmartReflect Light barriers

FNDK 14G6903/S14/IO

dimension drawing



general data

type	light barrier
version	Foil detection
light source	pulsed red LED
background position Sde	200 ... 800 mm on V4A
minimal signal attenuation	12 %
alignment / soiled lens indicator	flashing light indicator
power on indication	LED green
output indicator	LED red
sensing distance adjustment	Teach-in and IO-Link
wave length	660 nm

electrical data

response time / release time	< 1,8 ms
voltage supply range +Vs	10 ... 30 VDC
current consumption max. (no load)	35 mA
current consumption typ.	30 mA
voltage drop Vd	< 2 VDC
output function	light / dark operate
output circuit	push-pull
output current	< 100 mA
short circuit protection	yes
reverse polarity protection	yes

mechanical data

width / diameter	14,8 mm
height / length	43 mm
depth	31 mm
type	rectangular
housing material	plastic (ASA, MABS)
front (optics)	PMMA
connection types	connector M12 4 pin

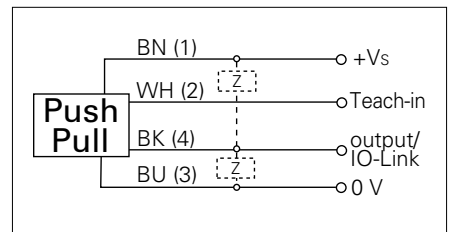
ambient conditions

operating temperature	-30 ... +60 °C
protection class	IP 67

photo



connection diagram



IO-Link



- IO-Link: output signal, service status, object presence
- sensitivity adjustable: via Teach-in wire input
- Shielded cable recommended Order reference ESG34CH0200G