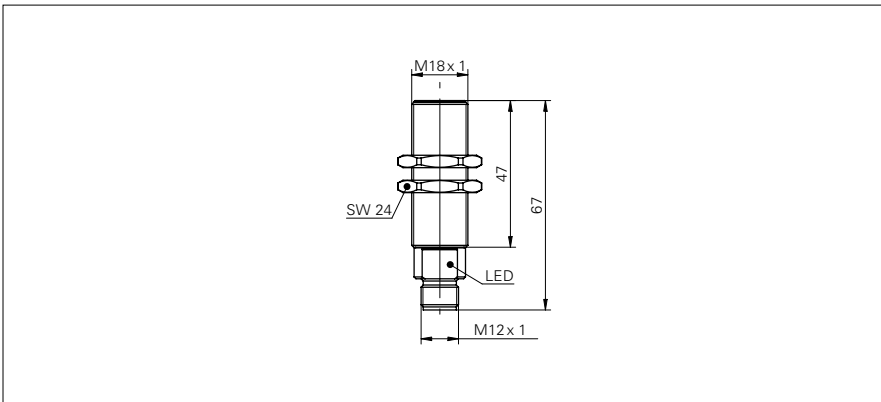


Retro-reflective sensors

FPAM 18P3151/S14

dimension drawing



general data

| | |
|-------------------------------------|--------------------------|
| type | retro-reflective sensor |
| light source | pulsed red LED |
| actual range Sb | 3,2 m |
| nominal range Sn | 4 m |
| polarization filter | yes |
| alignment / soiled lens indicator | flashing light indicator |
| light indicator | LED yellow |
| sensitivity adjustment | no |
| wave length | 660 nm |
| suppression of reciprocal influence | yes |

electrical data

| | |
|------------------------------------|---------------|
| response time / release time | < 1 ms |
| voltage supply range +Vs | 10 ... 30 VDC |
| current consumption max. (no load) | 35 mA |
| current consumption typ. | 22 mA |
| voltage drop Vd | < 1,8 VDC |
| output function | dark operate |
| output circuit | PNP |
| output current | < 200 mA |
| short circuit protection | yes |
| reverse polarity protection | yes |

mechanical data

| | |
|------------------|--------------------------|
| width / diameter | 18 mm |
| height / length | 67 mm |
| type | cylindrical threaded |
| housing material | brass nickel plated / PC |
| front (optics) | PMMA |
| connection types | connector M12 4 pin |

ambient conditions

| | |
|-----------------------|----------------|
| operating temperature | -25 ... +55 °C |
| protection class | IP 67 |

photo



connection diagram

