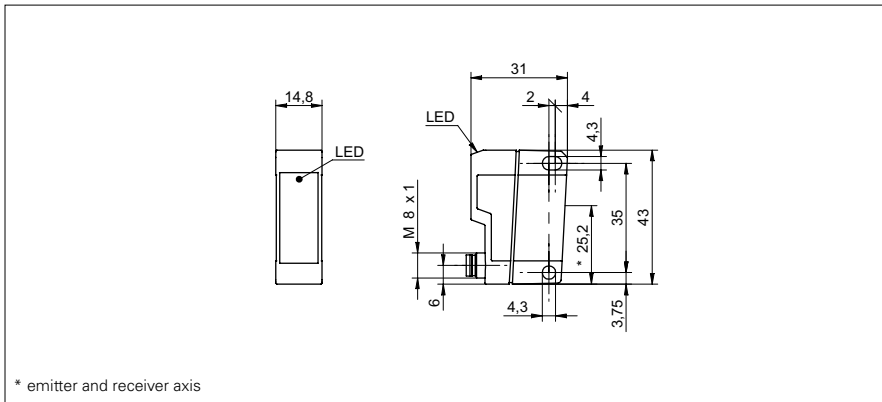


Retro-reflective sensors

FPDK 14N5111/S35A

dimension drawing



general data

| | |
|-------------------------------------|--------------------------|
| type | retro-reflective sensor |
| version | single lens optics |
| light source | pulsed red LED |
| actual range S_b | 3,2 m |
| nominal range S_n | 3,8 m |
| polarization filter | yes |
| alignment / soiled lens indicator | flashing light indicator |
| light indicator | LED yellow |
| sensitivity adjustment | no |
| wave length | 660 nm |
| suppression of reciprocal influence | yes |

electrical data

| | |
|------------------------------------|----------------------|
| response time / release time | < 1 ms |
| voltage supply range +Vs | 10 ... 30 VDC |
| current consumption max. (no load) | 25 mA |
| current consumption typ. | 20 mA |
| voltage drop Vd | < 1,8 VDC |
| output function | light / dark operate |
| output circuit | NPN |
| output current | < 100 mA |
| short circuit protection | yes |
| reverse polarity protection | yes |

mechanical data

| | |
|------------------|---------------------|
| width / diameter | 14,8 mm |
| height / length | 43 mm |
| depth | 31 mm |
| type | rectangular |
| housing material | plastic (ASA, MABS) |
| front (optics) | PMMA |
| connection types | connector M8 4 pin |

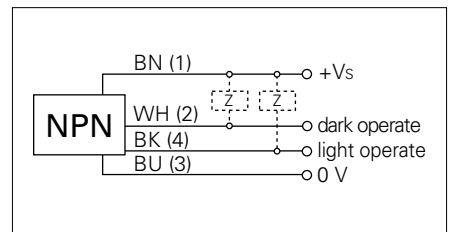
ambient conditions

| | |
|-----------------------|----------------|
| operating temperature | -25 ... +65 °C |
| protection class | IP 67 |

photo



connection diagram



• single lens optics